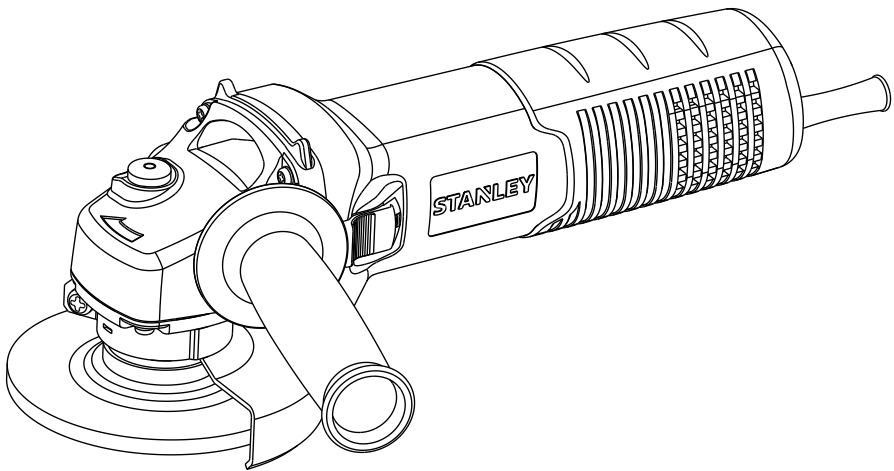


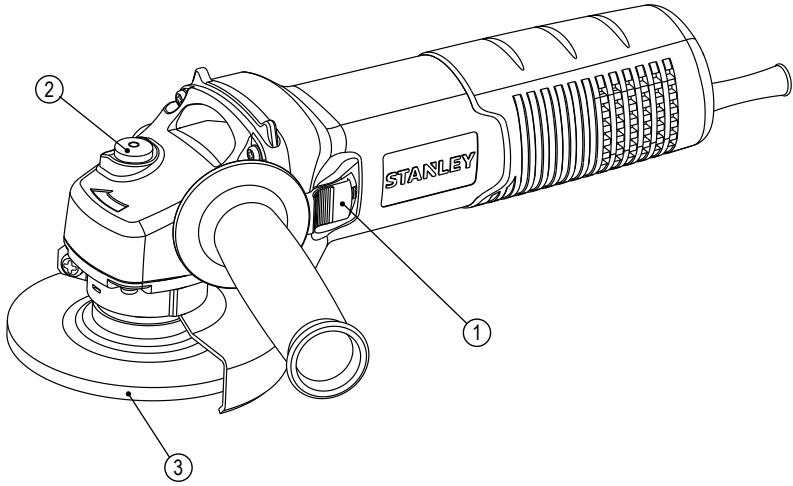
STANLEY®



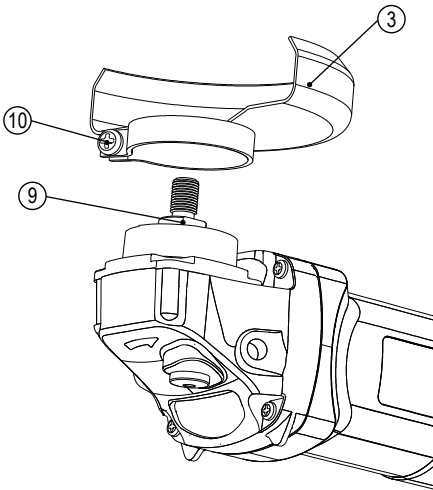
SGV115

English	Page	04
French	Page	11
العربية	Page	26

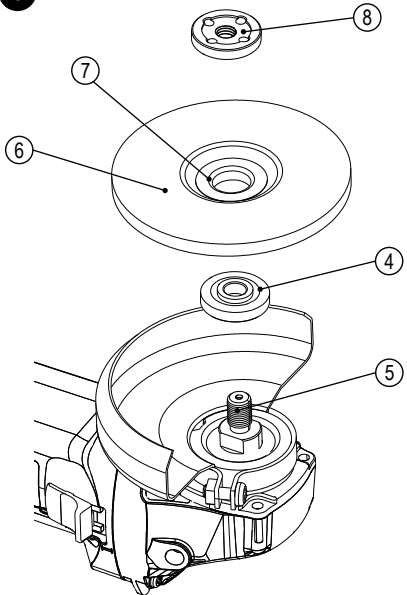
A

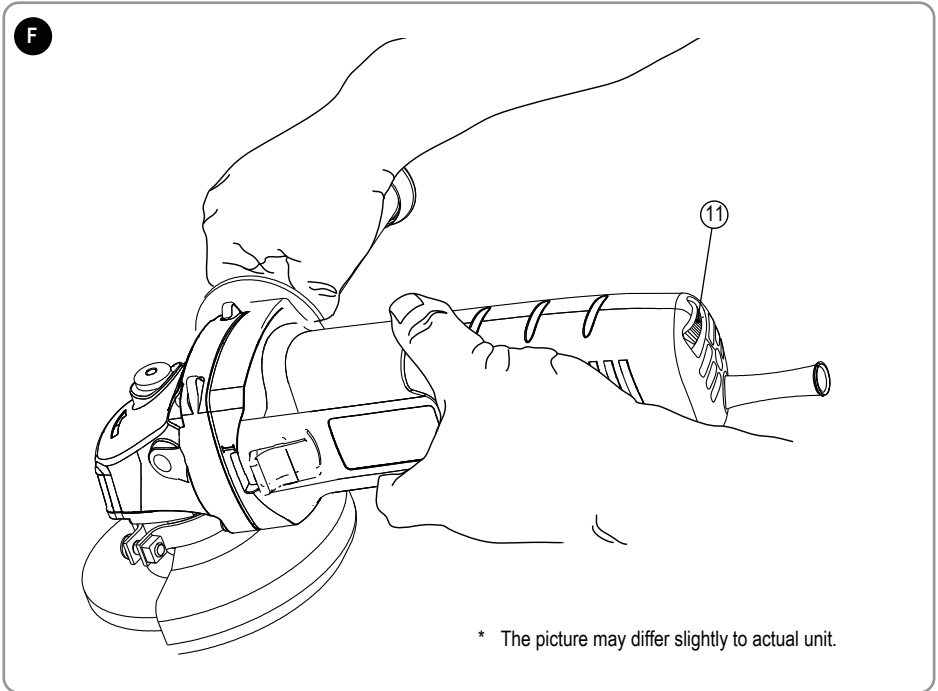
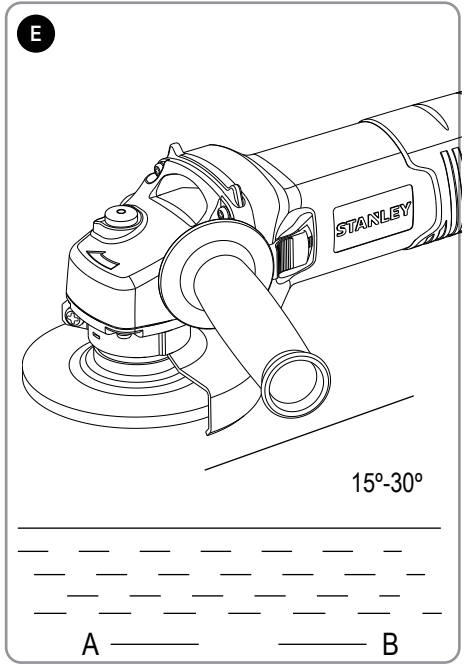
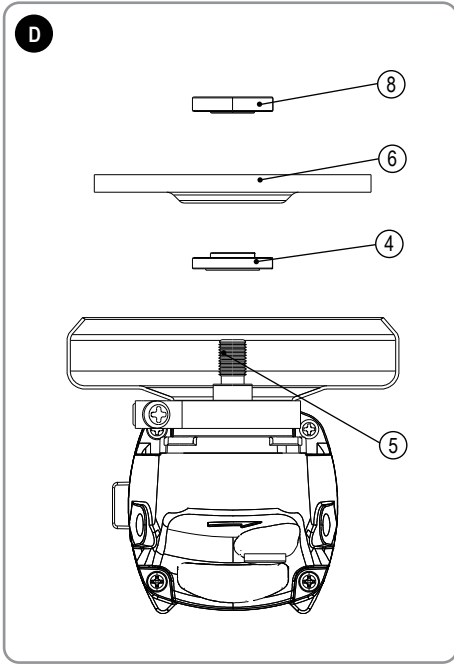


B



C





Intended use

Your STANLEY angle grinder SGV115 has been designed for grinding metal using the appropriate type of grinding disc. This tool is intended for professional use.

Safety instructions

General Power Tool Safety Warnings



WARNING! Read all safety warnings and all instructions. Failure to follow the warnings and instructions may result in electric shock, fire and/or serious injury.

Save all warnings and instructions for future reference. The term "power tool" in the warnings refers to your mains-operated (corded) power tool or battery-operated (cordless) power tool.

1. Work area safety

- a. **Keep work area clean and well lit.** Cluttered and dark areas invite accidents.
- b. **Do not operate power tools in explosive atmospheres, such as in the presence of flammable liquids, gases or dust.** Power tools create sparks which may ignite the dust or fumes.
- c. **Keep children and bystanders away while operating a power tool.** Distractions can cause you to lose control.

2. Electrical safety

- a. **Power tool plugs must match the outlet. Never modify the plug in any way. Do not use any adapter plugs with earthed (grounded) power tools.** Unmodified plugs and matching outlets will reduce risk of electric shock.
- b. **Avoid body contact with earthed or grounded surfaces such as pipes, radiators, ranges and refrigerators.** There is an increased risk of electric shock if your body is earthed or grounded.
- c. **Do not expose power tools to rain or wet conditions.** Water entering a power tool will increase the risk of electric shock.
- d. **Do not abuse the cord. Never use the cord for carrying, pulling or unplugging the power tool. Keep cord away from heat, oil, sharp edges or moving parts.** Damaged or entangled cords increase the risk of electric shock.
- e. **When operating a power tool outdoors, use an extension cord suitable for outdoor use.** Use of a cord suitable for outdoor use reduces the risk of electric shock.
- f. **If operating a power tool in a damp location is unavoidable, use a residual current device (RCD) protected supply.** Use of an RCD reduces the risk of electric shock. NOTE: The term "residual current device (RCD)" may be replaced by the term "ground fault circuit interrupter (GFCI)" or "earth leakage circuit breaker (ELCB)".

3. Personal safety

- a. **Stay alert, watch what you are doing and use common sense when operating a power tool. Do not use a power tool while you are tired or under the influence of drugs, alcohol or medication.** A moment of inattention while operating power tools may result in serious personal injury.

- b. **Use personal protective equipment. Always wear eye protection.** Protective equipment such as dust mask, non-skid safety shoes, hard hat, or hearing protection used for appropriate conditions will reduce personal injuries.
- c. **Prevent unintentional starting. Ensure the switch is in the off-position before connecting to power source and/or battery pack, picking up or carrying the tool.** Carrying power tools with your finger on the switch or energising power tools that have the switch on invites accidents.
- d. **Remove any adjusting key or wrench before turning the power tool on.** A wrench or a key left attached to a rotating part of the power tool may result in personal injury.
- e. **Do not overreach. Keep proper footing and balance at all times.** This enables better control of the power tool in unexpected situations.
- f. **Dress properly. Do not wear loose clothing or jewellery. Keep your hair, clothing and gloves away from moving parts.** Loose clothes, jewellery or long hair can be caught in moving parts.
- g. **If devices are provided for the connection of dust extraction and collection facilities, ensure these are connected and properly used.** Use of these devices can reduce dust related hazards.

4. Power tool use and care

- a. **Do not force the power tool. Use the correct power tool for your application.** The correct power tool will do the job better and safer at the rate for which it was designed.
- b. **Do not use the power tool if the switch does not turn it on and off.** Any power tool that cannot be controlled with the switch is dangerous and must be repaired.
- c. **Disconnect the plug from the power source and/or the battery pack from the power tool before making any adjustments, changing accessories, or storing power tools.** Such preventive safety measures reduce the risk of starting the power tool accidentally.
- d. **Store idle power tools out of the reach of children and do not allow persons unfamiliar with the power tool or these instructions to operate the power tool.** Power tools are dangerous in the hands of untrained users.
- e. **Maintain power tools. Check for misalignment or binding of moving parts, breakage of parts and any other condition that may affect the power tools operation. If damaged, have the power tool repaired before use.** Many accidents are caused by poorly maintained power tools.
- f. **Keep cutting tools sharp and clean.** Properly maintained cutting tools with sharp cutting edges are less likely to bind and are easier to control.
- g. **Use the power tool, accessories and tool bits etc. in accordance with these instructions, taking into account the working conditions and the work to be performed.** Use of the power tool for operations different from those intended could result in a hazardous situation.

5. Service

- a. **Have your power tool serviced by a qualified repair person using only identical replacement parts.** This will ensure that the safety of the power tool is maintained.

SAFETY INSTRUCTIONS FOR ALL OPERATIONS**Safety warnings common for grinding.**

- **This power tool is intended to function as a grinder. Read all safety warnings, instructions, illustrations and specifications provided with this power tool.** Failure to follow all instructions listed below may result in electric shock, fire and/or serious injury.
- **Operations such as polishing are not recommended to be performed with this power tool.** Operations for which the power tool was not designed may create a hazard and cause personal injury.
- **Do not use accessories which are not specifically designed and recommended by the tool manufacturer.** Just because the accessory can be attached to your power tool, it does not assure safe operation.
- **The rated speed of the accessory must be at least equal to the maximum speed marked on the power tool.** Accessories running faster than their rated speed can break and fly apart.
- **The outside diameter and the thickness of your accessory must be within the capacity rating of your power tool.** Incorrectly sized accessories cannot be adequately guarded or controlled.
- **Threaded mounting of accessories must match the grinder spindle thread. For accessories mounted by flanges, the arbour hole of the accessory must fit the locating diameter of the flange.** Accessories that do not match the mounting hardware of the power tool will run out of balance, vibrate excessively and may cause loss of control.
- **Do not use a damaged accessory. Before each use inspect the accessory such as abrasive wheel for chips and cracks, backing pad for cracks, tear or excess wear, wire brush for loose or cracked wires. If power tool or accessory is dropped, inspect for damage or install an undamaged accessory. After inspecting and installing an accessory, position yourself and bystanders away from the plane of the rotating accessory and run the power tool at maximum no-load speed for one minute.** Damaged accessories will normally break apart during this test time.
- **Wear personal protective equipment.** Depending on application, use face shield, safety goggles or safety glasses. As appropriate, wear dust mask, hearing protectors, gloves and work shop apron capable of stopping small abrasive or workpiece fragments. The eye protection must be capable of stopping flying debris generated by various operations. The dust mask or respirator must be capable of filtrating particles generated by your operation. Prolonged exposure to high intensity noise may cause hearing loss.
- **Keep bystanders a safe distance away from work area. Anyone entering the work area must wear personal protective equipment.** Fragments of workpiece or of a broken accessory may fly away and cause injury beyond immediate area of operation.
- **Hold power tool by insulated gripping surfaces only, when performing an operation where the cutting accessory may contact hidden wiring or its own cord.** Cutting accessory contacting a "live" wire may make exposed metal parts of the power tool "live" and shock the operator.

- **Position the cord clear of the spinning accessory.** If you lose control, the cord may be cut or snagged and your hand or arm may be pulled into the spinning accessory.
- **Never lay the power tool down until the accessory has come to a complete stop.** The spinning accessory may grab the surface and pull the power tool out of your control.
- **Do not run the power tool while carrying it at your side.** Accidental contact with the spinning accessory could snag your clothing, pulling the accessory into your body.
- **Regularly clean the power tool's air vents.** The motor's fan will draw the dust inside the housing and excessive accumulation of powdered metal may cause electrical hazards.
- **Do not operate the power tool near flammable materials.** Sparks could ignite these materials.
- **Do not use accessories that require liquid coolants.** Using water or other liquid coolants may result in electrocution or shock.

FURTHER SAFETY INSTRUCTIONS FOR ALL OPERATIONS**Kickback and Related Warnings**

Kickback is a sudden reaction to a pinched or snagged rotating wheel, backing pad, brush or any other accessory. Pinching or snagging causes rapid stalling of the rotating accessory which in turn causes the uncontrolled power tool to be forced in the direction opposite of the accessory's rotation at the point of the binding.

For example, if an abrasive wheel is snagged or pinched by the workpiece, the edge of the wheel that is entering into the pinch point can dig into the surface of the material causing the wheel to climb out or kick out. The wheel may either jump toward or away from the operator, depending on direction of the wheel's movement at the point of pinching. Abrasive wheels may also break under these conditions. Kickback is the result of tool misuse and/or incorrect operating procedures or conditions and can be avoided by taking proper precautions as given below:

- **Maintain a firm grip on the power tool and position your body and arm to allow you to resist kickback forces. Always use auxiliary handle, if provided, for maximum control over kickback or torque reaction during start up.** The operator can control torque reaction or kickback forces, if proper precautions are taken.
- **Never place your hand near the rotating accessory.** Accessory may kickback over your hand.
- **Do not position your body in the area where power tool will move if kickback occurs.** Kickback will propel the tool in direction opposite to the wheel's movement at the point of snagging.
- **Use special care when working corners, sharp edges etc. Avoid bouncing and snagging the accessory.** Corners, sharp edges or bouncing have a tendency to snag the rotating accessory and cause loss of control or kickback.
- **Do not attach a saw chain woodcarving blade or toothed saw blade.** Such blades create frequent kickback and loss of control.

Additional Safety Information

- **Do not use Type 11 (flaring cup) wheels on this tool.** Using inappropriate accessories can result in injury.
- **Always use side handle. Tighten the handle securely.** The side handle should always be used to maintain control of the tool at all times.
- **Use clamps or another practical way to secure and support the work piece to a stable platform.** Holding the work by hand or against your body leaves it unstable and may lead to loss of control.

Safety warnings specific for grinding

- Use only wheel types that are recommended for your power tool and the specific guard designed for the selected wheel.** Wheels for which the power tool was not designed cannot be adequately guarded and are unsafe.
- The grinding surface of the centre depressed wheels must be mounted below the plane of the guard lip.** An improperly mounted wheel that projects through the plane of the guard lip cannot be adequately protected.
- The guard must be securely attached to the power tool and positioned for maximum safety, so the least amount of wheel is exposed towards the operator.** The guard helps to protect the operator from broken wheel fragments, accidental contact with wheel and sparks that could ignite clothing.
- Wheels must be used only for recommended applications. For example: do not grind with the side of cut-off wheel.** Abrasive cut-off wheels are intended for peripheral grinding, side forces applied to these wheels may cause them to shatter.
- Always use undamaged wheel flanges that are of correct size and shape for your selected wheel.** Proper wheel flanges support the wheel thus reducing the possibility of wheel breakage. Flanges for cut-off wheels may be different from grinding wheel flanges.
- Do not use worn down wheels from larger power tools.** Wheel intended for larger power tool is not suitable for the higher speed of a smaller tool and may burst.

Personal safety

- No children or pregnant women should enter the work area where the paint sanding is being done until all cleanup is completed.
- A dust mask or respirator should be worn by all persons entering the work area. The filter should be replaced daily or whenever the wearer has difficulty breathing.

Note: only those dust masks suitable for working with lead paint dust and fumes should be used. Ordinary painting masks do not offer this protection. See your local hardware dealer for the NIOSH approved proper mask.

Environmental safety

- Paint should be removed in such a manner as to minimize the amount of dust generated.
- Areas where paint removal is occurring should be sealed with plastic sheeting of 4 mils thickness.

- Sanding should be done in a manner to reduce tracking of paint dust outside the work area.

Labels on tool

The label on your tool may include the following symbols:

	WARNING! To reduce the risk of injury, the user must read the instruction manual before use.		
	Wear ear protection.		
	Wear safety glasses or goggles.		
V	Volts	==	Direct Current
A	Amperes	n ₀	No-Load Speed
Hz	Hertz		Class II Construction
W	Watts		Earthing Terminal
min	minutes		Safety Alert Symbol
	Alternating Current	/min.	Revolutions or Reciprocation per minute

Position of Date Code (Fig. A)

The Date Code (10), which also includes the year of manufacture, is printed into the housing.

Example:

2017 XX JN
Year of manufacturing

Package Contents

The package contains:

- 1 Angle Grinder
- 1 Guard
- 1 Flange set
- 1 Spanner
- 1 Handle
- 1 Instruction Manual

- Check for damage to the tool, parts or accessories which may have occurred during transport.
- Take the time to thoroughly read and understand this manual prior to operation.

Electrical Safety

Your tool is double insulated; therefore no earth wire is required. Always check that the main voltage corresponds to the voltage on the rating plate.

Warning! If the power cord is damaged, it must be replaced by the manufacturer, authorized Stanley Service Center or an equally qualified person in order to avoid damage or injury. If the power cord is replaced by an equally qualified person, but not authorized by Stanley, the warranty will not be valid.

Using an Extension Cable

If it is necessary to use an extension cable, please use an approved extension cable that fits the tool's power input specifications. The minimum cross-sectional area of the conducting wire is 1.5 sq. mm. Cables should be untangled before reeling up.

Cable cross-sectional area (mm ²) Cable rated current (Ampere)	Cable cross-sectional area (mm ²) Cable rated current (Ampere)
0.75	6
1.00	10
1.50	15
2.50	20
4.00	25

Cable length (m)						
	7.5	15	25	30	45	60

Voltage	Amperes	Cable rated current (Ampere)					
110-127	0 - 2.0	6	6	6	6	6	10
	2.1 - 3.4	6	6	6	6	15	15
	3.5 - 5.0	6	6	10	15	20	20
	5.1 - 7.0	10	10	15	20	20	25
	7.1 - 12.0	15	15	20	25	25	-
	12.1 - 20.0	20	20	25	-	-	-
220-240	0 - 2.0	6	6	6	6	6	6
	2.1 - 3.4	6	6	6	6	6	6
	3.5 - 5.0	6	6	6	6	10	15
	5.1 - 7.0	10	10	10	10	15	15
	7.1 - 12.0	15	15	15	15	20	20
	12.1 - 20.0	20	20	20	20	25	-

Features

This tool includes some or all of the following features.

- ON/OFF Switch (Fig. A)
- Spindle Lock (Fig. A)
- Guard (Fig. A)
- Variable Speed Dial (Fig. F)

Soft Start Feature

The soft start feature allows a slow speed build-up to avoid an initial jerk when starting. This feature is particularly useful when working in confined spaces.

No-Volt

The No-volt function stops the grinder restarting without the

switch being cycled if there is a break in the power supply.

Assembly

WARNING! To prevent accidental operation, turn off and unplug tool before performing the following operations. Failure to do this could result in serious personal injury.

Attaching and Removing the Wheel Guard (Fig. B)

WARNING! To minimize the danger of serious personal injury, please switch off the tool power and disconnect all plugs before adjusting or removing/installing any accessory. Before reassembling the tool, press and release the trigger switch to make sure the tool is already switched off.

Attaching the Guard

- Place the angle grinder on a work bench, groove facing up.
- Bring the flange of the guard (3) collar over the groove (9) of the gear housing.
- Turn the guard (3) counterclockwise by 150 degrees.
- Make sure that the screws (10) are tightened.

Removing the Guard

- Loosen the screws (10) on the guard collar.
- Pull up the guard (3).

WARNING! Do not operate the tool when the safety guard is not in place.

Note: Refer to the grinding accessories chart at the end of this section for accessories that can be used together with this angle grinder.

Attaching and Removing Grinding Wheels (Fig. C and D)

WARNING! Do not use damaged grinding wheels.

- Place the tool on a work bench, groove facing up.
- Figure C: Attach the inner flange (4) correctly on the output shaft (5).
- Place the grinding wheel (6) on the inner flange (4). When attaching a grinding wheel with a raised center, make sure that the raised center (7) faces the inner flange (4).
- Figure D: Tighten the outer flange (h) until the output shaft (5).
- When attaching the grinding wheel, the ring on top of the outer flange (8) must face the wheel.
- Press the spindle lock (2) and prevent the spindle (4) from rotating until it locks in place.
- Use the pin spanner to tighten the outer flange (8).

Preparation Before Use

- Attach the safety guard and appropriate abrasive or grinding wheels. Do not use abrasive or grinding wheels that are overly worn.
- Make sure that the inner and outer flanges are attached correctly.

- Make sure that the abrasive or grinding wheels are rotating in the direction of the arrows on the accessories and tool.

OPERATION

WARNING! Always observe the safety instructions and applicable regulations.

WARNING! To minimize the danger of serious personal injury, please switch off the tool power and disconnect all plugs before adjusting or removing/installing any accessory. Before reassembling the tool, press and release the trigger switch to make sure the tool is already switched off.

WARNING!

- Make sure all materials to be grinded are secured in position.
- Apply slight pressure to the tool. Do not apply side pressure to the abrasive disc.
- Avoid overloading. If the tool becomes hot, let it spin for a few minutes with no load.
- Be sure to hold the tool tightly with both hands (one hand on housing, the other on side handle). Start the tool and bring the grinding wheel on the workpiece.
- Keep the edge of the wheel tilted at angle from 15 to 30 degrees against the surface of the workpiece.
- When using a new grinding wheel, do not operate the wheel in the B direction, otherwise, it will cut into the workpiece. When the edge of wheel has been rounded off, you are free to operate the grinder in either the A or B direction.

Starting and Stopping (Fig. A)

WARNING! Before using the tool, check whether the handle is tightened securely. Check whether the ON/OFF switch is working normally.

Before plugging in the tool to the power supply, check whether the switch is in the OFF (o) position when pressing the rear end of the switch.

To start the tool, press the rear end of the switch and slide it forward. Then press the front end of the switch to lock it.

Press the rear end of the switch to stop the tool.

WARNING! Do not switch the tool on or off while under load conditions.

Proper Hand Position (Fig. F)

WARNING! To reduce the risk of serious personal injury, ALWAYS use proper hand position as shown.

WARNING! To reduce the risk of serious personal injury, ALWAYS hold securely in anticipation of a sudden reaction.

Proper hand position requires one hand on the side handle (Figure A), with the other hand on the body of the tool, as shown in Figure F.

Variable Speed Dial (Fig.F)

The variable speed dial offers added tool control and enables the tool to be used at optimum conditions to suit the accessory and material.

- Turn the dial (11) to the desired level. Turn the dial upward for higher speed and downwards for lower speed.

Switches

Caution! Hold the body of the tool firmly to maintain control of the tool at start up and during use and until the wheel or accessory stops rotating. Make sure the wheel has come to a complete stop before laying the tool down.

Note: To reduce unexpected tool movement, do not switch the tool on or off while under load conditions. Allow the grinder to run up to full speed before touching the work surface. Lift the tool from the surface before turning the tool off. Allow the tool to stop rotating before putting it down.

Slider switch (Fig. A)

WARNING! Before connecting the tool to a power supply, be sure the slider switch is in the off position by pressing the rear part of the switch and releasing. Ensure the slider switch is in the off position as described above after any interruption in power supply to the tool, such as the activation of a ground fault interrupter, throwing of a circuit breaker, accidental unplugging, or power failure. If the slider switch is locked on when the power is connected, the tool will start unexpectedly.

To start the tool, slide the slider switch (1) toward the front of the tool. To stop the tool, release the slider switch. For continuous operation, slide the switch toward the front of the tool and press the forward part of the switch inward. To stop the tool while operating in continuous mode, press the rear part of the slider switch and release.

Spindle lock (Fig. A)

The spindle lock (2) prevents the output shaft from rotating when attaching or removing the grinding wheel. Only use the spindle lock when the tool is switched off, power is unplugged, and wheel stops completely.

Note: To minimize tool damages, don't use the spindle lock when the tool is operating.

Otherwise, it may damage the tool. The attached accessories may come off and cause injury.

If using the spindle lock, press the spindle lock button and rotate the output shaft until it stops.

Application on Metals

When applying the tool on metals, make sure that a residual-current device (RCD) is inserted to prevent danger from metal chips.

If the RCD causes power disconnection, have the tool sent to an authorized Stanley dealer for repair.

WARNING! Under extreme working conditions, conductive dust and grit may accumulate on the housing interior when handling metal workpieces.

This could create an electric shock hazard as it weakens the protective insulation in the grinder.

To avoid accumulation of metal chips in the interior of the grinder, we recommend cleaning the ventilation ducts daily. Refer to Maintenance.

Using Grinding Wheels

WARNING! Metal powder accumulates. Excessive use of the grinding wheel on metals may increase the risk of electric shock. To reduce the risk, insert the RCD before use and clean the ventilation ducts daily. Follow the maintenance instructions below to blow dry compressed air into the ventilation ducts.

GRINDING

Surface Grinding with Grinding Wheels

1. Allow the tool to reach full speed before touching the tool to the work surface.
2. Apply minimum pressure to the work surface, allowing the tool to operate at high speed. Grinding rate is greatest when the tool operates at high speed.
3. Maintain a 20° to 30° angle between the tool and work surface.
4. Continuously move the tool in a forward and back motion to avoid creating gouges in the work surface.
5. Remove the tool from work surface before turning tool off. Allow the tool to stop rotating before laying it down.

Precautions to Take when Sanding Paint

- Sanding of lead based paint is NOT RECOMMENDED due to the difficulty of controlling the contaminated dust. The greatest danger of lead poisoning is to children and pregnant women.
- Since it is difficult to identify whether or not a paint contains lead without a chemical analysis, we recommend the following precautions when sanding any paint.

GENERAL INFORMATION

Helpful Hints

- Hold your angle grinder with one hand on the body and the other hand firmly around the side handle as shown in Fig. J.
- Always position the guard so that as much of the exposed disc as possible is pointing away from you. Be prepared for a stream of sparks when the disc touches the metal.
- Maintain an angle between the disc and work surface (Fig. J) of approximately 30° when grinding and 10° - 15° when sanding (Fig. K) for best tool control, material removal, and minimal loading.

CAUTION! Use extra care when grinding into a corner as a sudden, sharp movement of the grinder may be experienced

when the wheel contacts a secondary surface.

WARNING! Always wear eye protection while operating this power tool.

Pop-off Brushes

The motor will be automatically shut off indicating that the carbon brushes are nearly worn out and that the tool needs servicing. The carbon brushes are not user-serviceable. Take the tool to an authorized STANLEY repair agent.

Maintenance

Your Stanley corded/cordless appliance/tool has been designed to operate over a long period of time with a minimum of maintenance. To ensure satisfactory operations, the tool must be maintained and cleaned regularly.

WARNING! To minimize the danger of serious personal injury, please switch off the tool power and disconnect all plugs before adjusting or removing/ installing any accessory. Before reassembling the tool, press and release the trigger switch to make sure the tool is already switched off.

WARNING! Before performing any maintenance on corded/cordless power tools:



Lubrication

Stanley tools are properly lubricated at the factory and are ready for use.

Tools should be lubricated regularly every year depending on usage. (Tools used on heavy duty jobs and tools exposed to heat may require more frequent lubrication.) This lubrication should be attempted only by trained power tool repairperson's such as those at Stanley service centers or in other qualified service personnel.



Cleaning

WARNING! Dust and grit from metal grinding often accumulate on interior surfaces and could create an electrical shock hazard if not cleaned out. Use only mild soap and a damp cloth to clean the tool. Never let any liquid get inside the tool; never immerse any part of the tool into a liquid.



WARNING! Never use solvents or harsh chemicals to clean non-metal parts of the tool. These chemicals may weaken the material of the parts. Use only mild soap and damp cloth to clean the tool. Never let any liquid get inside the tool; never immerse any part of the tool into liquid.



WARNING! Do not overload your angle grinder. Overloading causes a reduction in speed and efficiency, causing your angle grinder to become too hot. If this happens, operate your angle grinder under no load for one or two minutes until it has cooled to normal operating temperature. Switching your angle grinder off under load will reduce the life of the switch.



!IMPORTANT! To ensure product SAFETY and RELIABILITY, repairs, maintenance and adjustment (other than those listed in this manual) should be performed by authorized service centers or other qualified organizations, always using identical replacement parts. Unit contains no user service able parts inside.

Optional Accessories



WARNING! Since accessories, other than those offered by Stanley, have not been tested with this product, use of such accessories with this tool could be hazardous. To reduce the risk of injury, only Stanley, recommended accessories should be used with this product.

The performance of any power tool is dependent upon the accessory used. Stanley accessories are engineered to high quality standards and are designed to enhance the performance of power tool. By using Stanley accessories will ensure that you get the very best from your Stanley tool. Stanley offers a large selection of accessories available at our local dealer or authorized service center at extra cost.

Remarks

Stanley's policy is one of continuous improvement to our products and, as such, we reserve the right to change product specifications without prior notice. Standard equipment and accessories may vary by country. Product specifications may differ by country. Complete product range may not be available in all countries. Contact your local Stanley dealers for range availability.

Protecting the Environment



Separate collection. This product must not be disposed of with normal household waste.

Should you find one day that your STANLEY product needs replacement, or if it is of no further use to you, do not dispose of it with household waste. Make this product available for separate collection.



STANLEY provides a facility for the collection and recycling of STANLEY products once they have reached the end of their working life. To take advantage of this service please return your product to any authorised repair agent who will collect them on our behalf.

You can check the location of your nearest authorised repair agent by contacting your local STANLEY office at the address indicated in this manual. Alternatively, a list of authorised STANLEY repair agents and full details of our after-sales service and contacts are available on the Internet at: www.2helpU.com.

Technical Data

GRINDER	SGV115	
Voltage	V	220-240
Frecuency	Hz	50/60
Power	W	1150
No-load Speed	/min	3000~11000
Wheel Diameter	mm	125
Spindle Size		M14
Weight	kg	2.3

TWO YEAR WARRANTY

If your STANLEY product becomes defective due to faulty materials or workmanship within 24 months from the date of purchase, STANLEY guarantees to replace all defective parts free of charge or – at our discretion – replace the unit free of charge provided that:

- The product has not been misused and has been used in accordance with the instruction manual;
- The product has been subject to fair wear and tear;
- Repairs have not been attempted by unauthorized persons;
- Proof of purchase is produced.
- The STANLEY product is returned complete with all original components
- The product hasn't been used for hire purposes

If you wish to make a claim, contact your seller or check the location of your nearest authorised STANLEY repair agent in the STANLEY catalogue or contact your local STANLEY office at the address indicated in this manual. A list of authorised STANLEY repair agents and full details of our after sales service is available on the internet at: www.2helpU.com

Usage prévu

Votre meuleuse d'angle SGV115 de STANLEY a été spécialement conçue pour le meulage de métal en utilisant le disque de meulage approprié. Cet outil est destiné à un usage professionnel.

CONSIGNES DE SÉCURITÉ

Avertissements de sécurité générale de l'outil électrique



AVERTISSEMENT ! Lisez tous les avertissements de sécurité et toutes les instructions. Le non-respect de ces avertissements et de ces instructions peut causer un incendie, une électrocution ou de graves blessures.

Conservez ces avertissements et ces instructions à titre de référence ultérieure. Le terme « outil électrique » dans les avertissements fait référence à votre outil électrique alimenté par le courant (avec cordon d'alimentation) ou fonctionnant sur batterie (sans cordon).

1. Sécurité de la zone de travail

- a. **Travaillez dans un endroit propre et bien éclairé.** Les zones encombrées et sombres peuvent entraîner des accidents.
- b. **Ne mettez pas en marche votre outil électrique dans un environnement explosif, ou en présence de liquides inflammables, de gaz, ou de poussière.** La mise en marche de l'outil crée des étincelles qui peuvent enflammer les poussières ou vapeurs.
- c. **Éloignez les enfants et les personnes présentes de la zone lorsque l'outil est en fonctionnement.** Toute distraction peut vous faire perdre le contrôle de l'outil.

2. Sécurité électrique

- a. **Les fiches de l'outil électrique doivent correspondre à la prise secteur. Ne modifiez jamais la fiche, de quelque manière que ce soit. N'utilisez pas de fiches d'adaptateurs avec des outils ayant une prise de terre (mis à la terre).** Des prises non modifiées et raccordées à la prise murale correspondante réduiront les risques de choc électrique.
- b. **Évitez le contact direct avec les surfaces mises à la terre ou mises à la masse comme les canalisations, les radiateurs, les cuisinières et les réfrigérateurs.** Le risque de choc électrique augmente si votre corps est mis à la terre ou à la masse.
- c. **N'utilisez pas d'outils électriques dans des environnements pluvieux ou humides.** Si de l'eau s'introduit dans un outil électrique, le risque de choc électrique augmentera.
- d. **Ne malmenez pas le cordon d'alimentation. N'utilisez jamais le câble pour transporter, tirer ou débrancher l'outil électrique.** Veillez à garder le câble éloigné des sources de chaleur, des huiles, des rebords coupants ou des pièces mobiles. Les câbles endommagés ou entremêlés augmentent le risque de choc électrique.
- e. **Lorsqu'un outil électrique est utilisé à l'extérieur, utilisez uniquement une rallonge spécialement prévue**

à cet effet. L'usage d'une rallonge adaptée à l'utilisation en extérieur réduit le risque de choc électrique.

- f. **Si vous devez utiliser un outil électrique dans un endroit humide, utilisez une alimentation protégée contre les courants résiduels (RCD).** L'utilisation d'un dispositif de protection contre les courants résiduels réduit le risque de choc électrique. Remarque : Le terme « dispositifs à courant résiduel (DCR) » peut être remplacé par « circuit protégé par un disjoncteur (DDFT) » ou par un « Interrupteur différentiel de sécurité (ELCB) ».
- #### 3. Sécurité personnelle
- a. **Soyez vigilant, regardez bien ce que vous faites et faites preuve de bon sens lorsque vous utilisez l'outil électrique. N'utilisez pas d'outil électrique si vous êtes sous l'influence de drogues, d'alcool ou de médicaments.** Un instant d'inattention pendant l'utilisation d'outils électriques peut entraîner des blessures graves.
 - b. **Utilisez un équipement de protection individuel. Utilisez toujours une protection oculaire.** L'utilisation d'équipements de protection tels que les masques anti-poussière, les chaussures de sécurité antidérapantes, les casques de sécurité ou les protections auditives dans des conditions appropriées réduiront les risques de blessures corporelles.
 - c. **Évitez les démarrages intempestifs. Veillez à ce que l'interrupteur soit en position d'arrêt avant de le brancher à une source d'alimentation et/ou une batterie, de ramasser l'outil ou de le transporter.** Transporter les outils électriques avec le doigt sur l'interrupteur ou brancher les outils électriques avec l'interrupteur en position de marche peut entraîner des accidents.
 - d. **Retirez toute clé de sécurité ou autre clé de réglage avant de mettre l'outil électrique en marche.** Laissez une clé de sécurité ou une clé sur une partie rotative de l'outil électrique peut engendrer des blessures corporelles.
 - e. **Ne vous penchez pas trop. Gardez en permanence une position stable et un bon équilibre.** Cela permet un meilleur contrôle de l'outil électrique dans des situations imprévues.
 - f. **Portez des vêtements appropriés. Ne portez pas des vêtements amples ou des bijoux. Tenez vos cheveux, vêtements et gants éloignés des pièces mobiles.** Les vêtements amples, les bijoux ou les cheveux longs peuvent être happés par les pièces mobiles.
 - g. **Si des dispositifs destinés au raccordement d'installations d'extraction et de recueil de la poussière sont fournis, assurez-vous qu'ils sont correctement raccordés et utilisés.** L'utilisation de ces appareils peut réduire les dangers associés à la présence de poussière.
- #### 4. Utilisation et entretien d'un outil électrique
- a. **Ne forcez pas l'outil électrique. Utilisez l'outil électrique adapté à votre travail.** L'outil adapté est plus efficace et moins dangereux s'il est utilisé à la vitesse pour laquelle il a été conçu.

- b. **N'utilisez pas l'outil si l'interrupteur ne le met pas en position de marche et d'arrêt.** Tout outil qui ne peut être contrôlé par l'interrupteur est dangereux et doit être réparé.
 - c. **Débranchez la fiche de la source d'alimentation et/ou retirez le bloc de batterie de l'outil avant de procéder à tout réglage, remplacement d'accessoires ou rangement des outils électriques.** Ces mesures de sécurité préventives réduisent le risque de démarrage accidentel de l'outil électrique.
 - d. **Conservez les outils électriques inutilisés hors de la portée des enfants et ne laissez pas des personnes non familiarisées avec l'outil ou ces instructions utiliser l'outil électrique.** Les outils électriques sont dangereux pour les utilisateurs inexpérimentés.
 - e. **Entretenez les outils électriques. Vérifiez la dérive d'alignement ou l'attache des pièces mobiles, la rupture des pièces et leur état peuvent affecter l'outil lors de l'utilisation. Si l'outil est endommagé, faites-le réparer avant de l'utiliser.** De nombreux accidents sont dus à des outils électriques mal entretenus.
 - f. **Maintenez les outils de coupe aiguisés et propres.** Les outils de coupe bien entretenus aux bords aiguisés sont moins susceptibles de se coincer et plus faciles à contrôler.
 - g. **Utilisez l'outil électrique, les accessoires et les mèches de l'outil etc., conformément à ces instructions en prenant en compte les conditions de travail et la tâche à réaliser.** L'utilisation de l'outil électrique pour des opérations différentes de celles pour lesquelles il a été conçu peut entraîner une situation dangereuse.
5. **Service**
- a. **Faites réparer votre outil électrique par un réparateur habilité utilisant uniquement les pièces de rechange identiques.** Cela permettra de garantir la sécurité de l'outil électrique.

CONSIGNES DE SÉCURITÉ POUR TOUTE UTILISATION

Avertissements de sécurité spécifiques au meulage.

- **Cet outil électrique est destiné à être utilisé comme une meule. Lisez tous les avertissements de sécurité, les instructions et les illustrations accompagnant cet outil.** Le non-respect des instructions énumérées ci-dessous peut entraîner un choc électrique, un incendie ou des blessures graves.
- **Cet outil n'est pas destiné à être utilisé comme une polisseuse.** L'utilisation de l'outil non conforme à l'usage prévu est dangereuse et peut provoquer des blessures corporelles.
- **N'utilisez pas d'accessoires autres que ceux spécialement conçus et recommandés par le fabricant de l'outil.** Le simple fait de pouvoir fixer un accessoire à votre outil ne signifie pas que son utilisation est sécurisée.
- **La vitesse nominale de l'accessoire doit être au moins égale à la vitesse maximale indiquée sur l'outil électrique.** Les accessoires utilisés à une vitesse supérieure à leur vitesse nominale peuvent se briser et se détacher.
- **Le diamètre extérieur et l'épaisseur de votre accessoire doivent être inférieurs à la capacité nominale de votre outil électrique.** Les accessoires de taille incorrecte ne peuvent être correctement protégés ou contrôlés.
- **Le filetage des accessoires de montage doit correspondre au filetage du mandrin de la meuleuse.** Pour les accessoires montés avec des flasques, le diamètre intérieur de l'accessoire doit correspondre au diamètre extérieur de positionnement du flasque. Les accessoires qui ne correspondent pas au matériel de montage de l'outil électrique seront déséquilibrés, ce qui entraînera des vibrations excessives pouvant aboutir à une perte de contrôle.
- **N'utilisez pas d'accessoire endommagé. Avant chaque utilisation, vérifiez les accessoires pour vous assurer par exemple que le disque de meulage n'est pas ébréché, craquelé ou défectueux, que l'assiette-support n'est pas fissurée ou usée ou encore que la brosse circulaire est bien fixée et que ses fils métalliques sont en bon état.** En cas de chute de l'outil électrique ou de l'accessoire, vérifiez qu'il n'est pas endommagé ou installez un accessoire en bon état. Après avoir vérifié et installé un accessoire, placez-vous ainsi que les personnes présentes à distance de la surface tournante de l'accessoire et faites tourner l'outil électrique à vitesse maximale à vide pendant une minute. Les accessoires endommagés seront normalement détruits pendant ce test.
- **Portez un équipement de protection individuelle.** En fonction de l'utilisation, utilisez un écran facial, des lunettes protectrices contre les agents chimiques ou des lunettes de sécurité. Si besoin, portez un masque anti-poussière, des protections auditives, des gants et un tablier capable d'arrêter les petits fragments abrasifs ou les pièces à usiner. La protection oculaire doit pouvoir arrêter les projections de débris générés au cours de différentes opérations. Le masque anti-poussière ou le respirateur doivent être capables de filtrer les particules produites par vos travaux. Une exposition prolongée à des bruits de forte intensité peut provoquer une perte de l'audition.
- **Les personnes présentes doivent se tenir à distance de la zone de travail. Toute personne entrant dans la zone de travail doit porter un équipement de protection individuelle.** Les fragments de pièce à usiner ou d'accessoire cassé peuvent être projetés au-delà de la zone d'opération immédiate et provoquer des blessures.
- **Tenez l'outil électrique uniquement par les surfaces isolées lorsque vous effectuez une opération au cours de laquelle l'accessoire coupant peut être en contact avec des câbles cachés ou avec son propre câble d'alimentation.** Si l'accessoire coupant entre en contact avec un câble « alimenté », les pièces métalliques de l'outil électrique risquent de transmettre le courant et d'exposer ainsi l'opérateur à un choc électrique.

- **Éloignez le cordon de l'accessoire en rotation.** Si vous perdez le contrôle, le cordon risque d'être coupé et vous risquez de vous coincer la main ou le bras dans l'accessoire en rotation.
- **Ne posez jamais l'outil électrique avant que l'accessoire ne soit à l'arrêt complet.** L'accessoire en rotation peut accrocher la surface et vous faire perdre le contrôle de l'outil électrique.
- **Ne faites pas fonctionner l'outil électrique lorsque vous le transportez sur le côté.** Un contact accidentel avec l'accessoire en rotation peut accrocher vos vêtements et mettre l'accessoire en contact avec votre corps.
- **Nettoyez régulièrement les orifices d'aération de l'outil électrique.** Le ventilateur du moteur risque d'attirer la poussière à l'intérieur du logement et une accumulation excessive de métaux peut provoquer des dangers électriques.
- **Ne faites pas fonctionner l'outil électrique à proximité de matériaux inflammables.** Des étincelles pourraient enflammer ces matériaux.
- **N'utilisez pas d'accessoires qui nécessitent des liquides de refroidissement.** L'usage d'eau ou d'autres liquides de refroidissement peut entraîner une électrocution ou un choc électrique.
- **Ne vous placez pas dans la zone où l'outil électrique se déplacera en cas de rebond.** Le recul propulse l'outil dans la direction opposée au mouvement du disque au point d'accrochage.
- **Soyez particulièrement attentif lorsque vous travaillez sur des angles, des rebords coupants, etc. Évitez d'accrocher ou de faire rebondir l'accessoire.** Les coins, les rebords tranchants ont tendance à accrocher l'accessoire en rotation et provoquer une perte de contrôle ou un recul.
- **Ne fixez pas de chaîne coupante, de lame à sculpter ou autre lame de scie dentée.** Ces lames provoquent souvent des retours et des pertes de contrôle.

Consignes de sécurité supplémentaires

- **N'utilisez pas de disque de type 11 (de forme conique) avec cet outil.** Le fait d'utiliser des accessoires inappropriés peut provoquer des blessures.
- **Utilisez toujours la poignée latérale. Serrez bien la poignée.** La poignée latérale doit toujours être utilisée pour avoir un bon contrôle de l'outil à tout moment.
- **Utilisez des serre-joints ou tout autre moyen pratique pour maintenir la pièce à traiter ou l'attacher à une plate-forme stable.** Le fait de tenir la pièce à traiter avec votre main ou de l'appuyer contre votre corps la rend instable et peut provoquer une perte de contrôle.

CONSIGNES DE SÉCURITÉ ADDITIONNELLES POUR TOUTE UTILISATION

Recul et mises en garde associées

Le recul est une réaction soudaine provoquée par le pincement ou l'accrochage d'une meuleuse en rotation, d'une plaque, d'une brosse ou de tout autre accessoire. L'accessoire en rotation cale alors rapidement, ce qui projette l'outil électrique dans la direction opposée à la rotation de l'accessoire.

Par exemple, si un disque de meulage est accroché ou pincé par la pièce à usiner, le rebord du disque qui entre dans le point de pincement peut accrocher la surface du matériau, provoquant des sauts ou des retours de disque. Le disque peut alors dévier vers l'opérateur ou dans la direction opposée selon la direction du disque au point de pincement. Les disques abrasifs peuvent également se rompre dans ces conditions. Le recul résulte d'un mauvais usage de l'outil et/ou de l'inobservation des procédures d'utilisation et peut être évité en suivant les précautions appropriées indiquées ci-dessous :

- **Maintenez fermement l'outil électrique et placez votre corps et vos bras de manière à résister aux reculs. Utilisez toujours la poignée auxiliaire, s'il y en a une, afin d'avoir une maîtrise maximale du recul ou de la réaction de couple lors du démarrage.** L'opérateur peut maîtriser les réactions de couple ou les forces de recul s'il prend les précautions appropriées.
- **Ne placez jamais votre main à proximité de l'accessoire en rotation.** L'accessoire peut rebondir sur votre main.

Mises en garde de sécurité spécifiques aux opérations de meulage

- Utilisez uniquement des types de disques recommandés pour votre outil électrique et le protecteur spécifique conçu pour le disque choisi.** Les disques pour lesquels l'outil électrique n'a pas été conçu ne peuvent être protégés de manière adéquate et sont dangereux.
- La surface de meulage des disques abaissés au centre doit être fixée sous le rabot de la lèvre du protecteur.** Un disque mal monté qui se projette à travers le rabot de la lèvre du protecteur ne peut pas être protégé correctement.
- Le protecteur doit être fixé correctement à l'outil électrique et positionné pour une sécurité maximale, ainsi, moins de surface du disque est exposée en direction de l'opérateur.** Le protecteur permet de protéger l'opérateur des fragments de disque cassée, d'un contact accidentel avec le disque et des étincelles qui pourraient prendre feu sur les vêtements.
- Les disques doivent être utilisés uniquement pour les applications recommandées.** Par exemple : n'utilisez pas le côté à tronçonner du disque pour abraser. Les disques à tronçonner par abrasion sont destinés au meulage périphérique, l'application de forces latérales peut les faire briser en éclats.
- Toujours utiliser des flasques de disque en bon état, de taille et de forme adaptées au disque choisi.** Les flasques doivent être appropriés afin de réduire les risques de rupture du disque. Les flasques de disques à tronçonner par abrasion peuvent être différentes des flasques des autres disques.

f. **N'utilisez pas de disques usés provenant d'outils électriques de plus grande taille.** Les disques destinés à des outils électriques plus grands ne sont pas adaptés à la vitesse supérieure d'un outil plus petit et risquent d'éclater.

fabrication, est imprimé sur le logement.

Exemple :

2017 XX JN
Année de fabrication

Sécurité personnelle

- Aucun enfant ou femme enceinte ne devrait pénétrer dans la zone de travail où le ponçage d'une surface peinte est en cours, tant que le nettoyage de la zone n'est pas terminé.
- Un masque antipoussière ou respirateur devrait être porté par toutes les personnes qui entrent dans la zone de travail. Le filtre doit être remplacé tous les jours ou chaque fois que le porteur a de la difficulté à respirer.




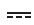




Note : Utilisez uniquement des masques à poussière appropriés pour travailler avec des poussières et des fumées de peinture au plomb. Les masques de peinture ordinaires n'offrent pas cette protection. Consultez votre revendeur de matériel local pour savoir quels sont les masques homologués par NIOSH.

Sécurité de l'environnement

- La peinture devrait être retirée de manière à réduire au minimum la quantité de poussière générée.
- Les zones où la peinture est retirée doivent être scellées avec des bâches en plastique de 4 mils d'épaisseur.
- Le ponçage doit être effectué de façon à réduire l'émission de poussière de peinture à l'extérieur de la zone de travail.

Étiquettes sur l'outil

L'étiquette apposée sur votre outil peut afficher les symboles suivants :

	AVERTISSEMENT ! AFIN DE RÉDUIRE LE RISQUE DE BLESSURE, L'UTILISATEUR DOIT LIRE LE MANUEL D'INSTRUCTION AVANT L'UTILISATION DE L'OUTIL.		
	Portez des protège-oreilles.		
	Portez des lunettes de sécurité ou des lunettes-masque.		
V	Volts		Courant continu
A	Ampères	n_0	Vitesse à vide
Hz	Hertz		Construction de classe II
W	Watts		Borne de terre
min	minutes		Symbole d'alerte de sécurité
	Courant alternatif	/min.	Tours ou mouvements alternatifs par minute

Position du code de la date (fig. A)

Le code de la date (10), qui comporte également l'année de

Contenu de l'ensemble

L'ensemble contient :

- 1 meuleuse d'angle
- 1 protège-disque
- 1 jeu de brides
- 1 clé
- 1 poignée
- 1 manuel d'instruction

- Vérifiez que l'outil, les pièces détachées et les accessoires n'ont pas été endommagés durant le transport.
- Prenez le temps de bien lire et comprendre ce manuel avant d'utiliser l'outil.

Sécurité électrique



Cet outil dispose d'une double isolation ; aucun fil de terre n'est donc nécessaire. Vérifiez toujours que la tension du secteur correspond à celle de la plaque signalétique.



Avvertissement ! Si le cordon d'alimentation est endommagé, il doit être remplacé par le fabricant ou un centre de réparation agréé Stanley ou encore une personne tout aussi qualifiée afin d'éviter tout accident ou blessure. En cas de remplacement du cordon d'alimentation par une personne tout aussi qualifiée mais non agréée par Stanley, la garantie ne sera plus valable.

Utilisation d'une rallonge

S'il est nécessaire d'utiliser une rallonge, utilisez une rallonge homologuée capable de transmettre le courant spécifié sur l'outil. La section transversale minimale du fil conducteur est de 1,5 mm². Les câbles doivent être démêlés avant de les enrouler.

Section transversale du câble (mm ²)	Intensité nominale du câble (Ampère)					
0,75	6					
1,00	10					
1,50	15					
2,50	20					
4,00	25					

Longueur du câble (m)						
7,5	15	25	30	45	60	

Tension	Ampères	Intensité nominale du câble (Ampère)					
115	0 - 2,0	6	6	6	6	6	10
	2,1 - 3,4	6	6	6	6	15	15
	3,5 - 5,0	6	6	10	15	20	20
	5,1 - 7,0	10	10	15	20	20	25
	7,1 - 12,0	15	15	20	25	25	-
230	0 - 2,0	6	6	6	6	6	6
	2,1 - 3,4	6	6	6	6	6	6
	3,5 - 5,0	6	6	6	6	10	15
	5,1 - 7,0	10	10	10	10	15	15
	7,1 - 12,0	15	15	15	15	20	20
	12,1 - 20,0	20	20	20	20	25	-

Caractéristiques

Cet outil présente certaines ou toutes les caractéristiques suivantes.

1. Interrupteur Marche/Arrêt (fig. A)
2. Bouton de verrouillage de l'arbre (fig. A)
3. Protège-disque (fig. A)
11. Bouton de vitesse variable (fig. F)

Fonction de démarrage progressif

La fonction de démarrage progressif permet d'accélérer progressivement la vitesse de rotation afin d'éviter une secousse initiale lors du démarrage. Cette fonction est particulièrement utile lorsque l'outil est utilisé dans un espace confiné.

No-Volt

La fonction No-volt arrêté le redémarrage du broyeur sans que le commutateur ne soit mis en marche s'il y a une interruption de l'alimentation.

Montage

AVERTISSEMENT ! Afin d'empêcher tout fonctionnement accidentel, éteignez et débranchez l'outil avant d'effectuer les opérations suivantes. Tout manquement à cette mesure peut entraîner des blessures graves.

Montage et démontage du protège-disque (fig. B)

AVERTISSEMENT ! Afin de réduire le danger de blessures corporelles graves, veuillez mettre l'outil hors tension et débrancher toutes les fiches avant de procéder à des réglages, de retirer ou d'installer des accessoires. Avant de réassembler l'outil, appuyez sur la gâchette et relâchez-la pour vous assurer que l'outil est déjà hors tension.

Attacher le protège-disque

1. Placez la meuleuse d'angle sur un plan de travail en orientant les rainures vers le bas.
2. Faites passer le flasque du collier du protège-disque (3) au-dessus de la rainure (9) du carter.
3. Faites pivoter de 150 degrés le protège-disque (3) dans le sens antihoraire.
4. Assurez-vous de serrer fermement les vis (10).

Retirer le protège-disque

1. Desserrez les vis (10) du protège-disque.
2. Retirez le protège-disque (3).

AVERTISSEMENT ! N'utilisez pas l'outil lorsque le protège-disque n'est pas installé.

Remarque : Reportez-vous au tableau des accessoires de meulage à la fin de cette section pour déterminer les accessoires qui peuvent être utilisés avec cette meuleuse d'angle.

Monter et démonter les disques de meulage (fig. C et D)

AVERTISSEMENT ! N'utilisez pas des disques endommagés.

1. Placez l'outil sur un plan de travail en orientant les rainures vers le bas.
2. Figure C : Attachez le flasque intérieur (4) correctement sur l'arbre (5).
3. Placez le disque de meulage (6) sur le flasque intérieur (4). Lorsque vous attachez un disque de meulage surélevé au centre, assurez-vous que le centre surélevé (7) fait face au flasque intérieur (4).
4. Figure D : Serrez le flasque extérieur (8) sur l'arbre (5).
- 4). Lorsque vous montez un disque de meulage, l'anneau sur le flasque extérieur (8) doit faire face au disque de meulage.
5. Appuyez sur le bouton de verrouillage de l'arbre (2) et empêchez l'arbre (4) de pivoter jusqu'à ce qu'il soit verrouillé en place.
6. Utiliser la clé à ergot pour serrer le flasque extérieur (8).

Préparation avant utilisation

- Attachez le protège-disque et le disque abrasif ou de meulage approprié. N'utilisez pas des disques de meulage ou des disques abrasifs trop usés.
- Assurez-vous que les flasques intérieurs et extérieurs sont bien montés et serrés.
- Assurez-vous que les disques de meulage ou les disques abrasifs tournent dans le sens des flèches qui figurent sur les accessoires et l'outil.

FONCTIONNEMENT

AVERTISSEMENT ! Suivez toujours les instructions de sécurité et le règlement applicable.

AVERTISSEMENT ! Afin de réduire le danger de blessures corporelles graves, veuillez mettre l'outil hors tension et débrancher toutes les fiches avant de procéder à des réglages, de retirer ou d'installer des accessoires. Avant de réassembler l'outil, appuyez sur la gâchette et relâchez-la pour vous assurer que l'outil est déjà hors tension.

AVERTISSEMENT !

- Assurez-vous que tous les matériaux à meuler sont en position sécurisée.
- Appuyez légèrement sur l'outil. N'appuyez pas latéralement sur le disque abrasif.
- Évitez de surcharger l'outil. Si l'outil chauffe, laissez-le tourner à vide pendant quelques minutes.
- Assurez-vous de tenir fermement l'outil avec vos deux mains (une main sur le carter, l'autre sur la poignée latérale). Démarrez l'outil et dirigez le disque de meulage sur la pièce à traiter.
- Gardez le rebord du disque incliné de 15 à 30 degrés sur la surface de la pièce à traiter.
- Lorsque vous utilisez un nouveau disque de meulage, n'utilisez pas le disque dans la direction B, autrement, vous découperez la pièce à travailler. Lorsque le rebord du disque est arrondi, vous pouvez utiliser la meuleuse dans chacune des directions A ou B.

Démarrage et arrêt (fig. A)

AVERTISSEMENT ! Avant d'utiliser l'outil, vérifiez que la poignée est bien attachée à l'outil. Vérifiez si l'interrupteur MARCHE/ARRÊT fonctionne correctement.

Avant de brancher l'outil sur le secteur, vérifiez si l'interrupteur est sur la position ARRÊT (o) en appuyant sur l'extrémité arrière de l'interrupteur.

Afin de démarrer l'outil, appuyez sur l'extrémité arrière de l'interrupteur et faites le glisser vers l'avant. Appuyez ensuite sur l'extrémité avant de l'interrupteur pour le verrouiller.

Appuyez sur l'extrémité arrière de l'interrupteur pour arrêter l'outil.

AVERTISSEMENT ! N'éteignez et n'allumez pas l'outil lorsqu'il est en condition de charge.

Position correcte des mains (fig. F)

AVERTISSEMENT ! Pour éviter tout risque de blessures corporelles graves, placez TOUJOURS vos mains comme indiqué.

AVERTISSEMENT ! Afin de réduire le risque de blessure corporelle sérieuse, tenez TOUJOURS l'outil fermement de manière à anticiper une réaction soudaine.

La position correcte des mains consiste à placer une main sur la poignée latérale (fig. A), l'autre sur le corps de l'outil, comme illustré sur la figure F.

Bouton à vitesse variable (fig. F)

Le bouton à vitesse variable permet de mieux contrôler l'outil et de l'utiliser dans des conditions optimales en le réglant en fonction des accessoires et du matériau traité.

- Réglez le bouton (11) au niveau désiré. Tournez le bouton vers le haut pour augmenter la vitesse et vers le bas pour réduire la vitesse.

Interrupteurs

Attention ! Tenez fermement le corps de l'outil afin de bien le contrôler au démarrage et pendant l'utilisation et jusqu'à ce que le disque ou les accessoires cessent de tourner. Assurez-vous que le disque est à l'arrêt complet avant de déposer l'outil.

Remarque : Afin de réduire tout mouvement inattendu, n'allumez et n'éteignez pas l'outil lorsqu'il est en condition de charge. Laissez la meule tourner à vitesse maximale avant de toucher la surface de travail avec le disque. Relevez l'outil de la surface avant de l'éteindre. Attendez que l'outil cesse de tourner avant de le poser.

Interrupteur à glissière (fig. A)

AVERTISSEMENT ! Avant de brancher l'outil sur le secteur, assurez-vous que l'interrupteur est dans la position arrêt en appuyant sur la partie arrière de l'interrupteur et en la relâchant. Assurez-vous que l'interrupteur à glissière est dans la position d'arrêt comme indiqué ci-dessus après toute interruption de l'alimentation de l'outil (due par exemple à l'enclenchement d'un disjoncteur différentiel ou d'un coupe-circuit ou encore à un débranchement accidentel ou une coupure de courant). Si l'interrupteur à glissière est verrouillé lorsque l'outil est connecté, celui-ci va démarrer soudainement.

Pour démarrer l'outil, faites glisser l'interrupteur à glissière (1) vers l'avant de l'outil. Pour arrêter l'outil, relâchez l'interrupteur à glissière. Pour utiliser l'outil en continu, faites glisser l'interrupteur vers l'avant de l'outil et appuyez sur la partie avant de l'interrupteur pour l'enfoncer. Pour arrêter l'outil en mode continu, appuyez sur la partie arrière de l'interrupteur à glissière et relâchez-la.

Bouton de verrouillage de l'arbre (fig. A)

Le bouton de verrouillage de l'arbre (2) empêche l'arbre de tourner lors du montage ou du démontage du disque de meulage. Utilisez uniquement le bouton de verrouillage de l'arbre lorsque l'outil est éteint, que le cordon est débranché du secteur et que le disque de meulage est à l'arrêt complet.

Remarque : Pour minimiser les dommages à l'outil, n'utilisez pas le bouton de verrouillage de l'arbre lorsque l'outil est en fonctionnement.

Si non, l'outil pourrait être endommagé. Les accessoires installés pourraient aussi se détacher et causer des blessures.

Si vous utilisez le bouton de verrouillage de l'arbre, appuyez sur le bouton et faites tourner l'arbre jusqu'à ce qu'il s'arrête de tourner.

Utilisation sur les métaux

Lorsque vous utilisez l'outil sur des métaux, assurez-vous d'insérer un dispositif à courant différentiel résiduel (RCD) afin d'éviter des dangers causés par des copeaux de métaux.

Si le RCD coupe l'alimentation, envoyez l'outil à un centre de service après-vente autorisé Stanley pour le faire réparer.

AVERTISSEMENT ! En cas de conditions extrêmes, de la poussière conductrice et des copeaux peuvent s'accumuler dans le carter intérieur lorsque vous meulez des pièces en métal.

Cela peut engendrer un danger d'électrocution car l'isolation protectrice de la meuleuse se trouve affaiblie.

Afin d'éviter l'accumulation de grain de métaux à l'intérieur de la meuleuse, nous vous recommandons de nettoyer les conduits de ventilation quotidiennement. Veuillez consulter les instructions d'entretien.

Utilisation des disques de meulage

AVERTISSEMENT ! Les poussières de métal s'accumulent. Une utilisation excessive du disque de meulage sur les métaux peut augmenter les risques d'électrocution. Afin de réduire les risques ; insérez le RCD avant l'utilisation et nettoyez les conduits de ventilation quotidiennement. Suivez les instructions d'entretien ci-dessous afin de souffler de l'air comprimé dans les conduits de ventilation.

MEULAGE

Meulage de surface avec des disques de meulage

1. Laissez l'outil atteindre sa pleine vitesse avant de le mettre en contact avec la surface de travail.
2. Appliquez une pression minimale sur la surface de travail, afin de permettre à l'outil de fonctionner à grande vitesse. Le meulage est plus rapide lorsque l'outil fonctionne à grande vitesse.
3. Maintenez un angle de 20° à 30° entre l'outil et la surface de travail.
4. Déplacez continuellement l'outil dans un mouvement avant et arrière pour éviter de faire des entailles sur la surface de travail.
5. Relevez l'outil de la surface de travail avant de l'éteindre. Attendez que l'outil cesse de tourner avant de le poser.

Précautions à prendre lors du ponçage de la peinture

- Le ponçage de peinture à base de plomb n'est PAS RECOMMANDÉ en raison de la difficulté à contrôler la poussière contaminée. Ce sont les enfants et les femmes enceintes qui courent le plus grand danger d'empoisonnement par le plomb.

- Puisqu'il est difficile de déterminer si une peinture contient ou non du plomb sans analyse chimique, nous recommandons de prendre les précautions suivantes lors du ponçage de la peinture.

Conseils utiles

- Maintenez votre meuleuse d'angle en mettant une main sur le corps et l'autre main fermement autour de la poignée latérale, comme illustré à la fig. J.
- Positionnez toujours le protège-disque de façon à minimiser la section du disque exposée qui est orientée vers vous. Soyez prêt à voir une gerbe d'étincelles lorsque le disque touche le métal.
- Maintenez un angle entre le disque et la surface de travail (fig. J) d'environ 30° lors du meulage et de 10° à 15° lors du ponçage (fig. K) pour faciliter le contrôle de l'outil et l'évacuation des grains et minimiser la charge sur l'outil.

ATTENTION ! Soyez extrêmement prudent lors du meulage dans un coin, pour éviter tout mouvement intempestif de la meuleuse lorsque le disque entre en contact avec une seconde surface.

AVERTISSEMENT ! Portez toujours des lunettes de protection lors de l'utilisation de cet outil électrique.

Balais de charbon amovibles

Le moteur s'arrêtera automatiquement pour indiquer que les balais de charbon sont pratiquement usés et que l'outil a besoin de maintenance. Les balais de charbon ne sont pas remplaçables par l'utilisateur. Amenez l'outil à un agent de réparation STANLEY autorisé.

Entretien

Votre appareil/outil électrique Stanley a été conçu pour fonctionner pendant une longue période avec un minimum d'entretien. Pour garantir un bon fonctionnement, l'outil doit être entretenu et nettoyé régulièrement.

AVERTISSEMENT ! Afin de réduire le danger de blessures corporelles graves, veuillez mettre l'outil électrique hors tension et débrancher toutes les fiches avant de procéder à des réglages, et de retirer ou d'installer des accessoires. Avant de réassembler l'outil, appuyez sur la gâchette et relâchez-la pour vous assurer que l'outil est déjà hors tension.

AVERTISSEMENT ! Avant d'effectuer des tâches d'entretien sur un outil électrique avec ou sans câble :



Lubrification

Les outils Stanley sont correctement lubrifiés en usine et sont prêts à l'emploi.

Les outils doivent être lubrifiés régulièrement chaque année en fonction de leur utilisation. (Les outils utilisés pour des travaux laborieux et ceux qui sont exposés à la chaleur peuvent exiger une lubrification plus fréquente.) Cette lubrification ne devrait être faite que par des réparateurs d'outils électriques formés tels que ceux des centres de service Stanley ou le personnel qualifié d'autres centres de services.



Nettoyage



AVERTISSEMENT : La poussière et les grains contenant des particules de métaux s'accumulent souvent sur les surfaces intérieures et pourraient créer un danger de choc électrique, s'ils ne sont pas nettoyés. Utilisez uniquement du savon doux et un chiffon humide pour nettoyer l'outil. Ne laissez jamais couler un liquide à l'intérieur de l'outil et ne plongez jamais une partie quelconque de l'outil dans l'eau.



AVERTISSEMENT ! N'utilisez jamais de solvants ou de produits chimiques corrosifs pour nettoyer les parties non métalliques de l'outil. Ces matériaux chimiques peuvent affaiblir les matériaux de ces parties. Utilisez uniquement du savon doux et un chiffon humide pour nettoyer l'outil. Ne laissez jamais couler un liquide à l'intérieur, ne plongez jamais une partie quelconque de l'outil dans l'eau.



AVERTISSEMENT ! Ne surchargez pas votre meuleuse d'angle. Toute surcharge réduira la vitesse et l'efficacité, entraînant un échauffement de votre meuleuse d'angle. Si c'est le cas, faites fonctionner votre meuleuse d'angle à vide pendant une ou deux minutes jusqu'à ce qu'elle ait refroidi et qu'elle soit à sa température normale de fonctionnement. Le fait d'éteindre votre meuleuse d'angle durant son utilisation réduira la durée de vie de l'interrupteur.



IMPORTANT ! Pour assurer la FIABILITÉ et la SÉCURITÉ de l'outil, les réparations, l'entretien et le réglage (autres que ceux présentés dans le présent manuel) doivent être effectués par un centre de service autorisé ou du personnel qualifié en utilisant toujours les mêmes pièces de rechange. L'outil ne contient aucun élément réparable à l'intérieur.

Accessoires en option



AVERTISSEMENT ! Puisque les accessoires autres que ceux qui sont offerts par Stanley n'ont pas été testés avec ce produit, l'utilisation de tels accessoires avec cet outil pourrait être dangereuse. Pour réduire le risque de blessures, seuls les

accessoires recommandés par Stanley devraient être utilisés avec ce produit.

La performance de votre outil électrique dépend des accessoires que vous utilisez. Les accessoires Stanley répondent à des standards de qualité élevés et sont conçus pour améliorer la performance de votre outil. Vous obtiendrez la meilleure performance de votre outil Stanley en utilisant des accessoires de Stanley. Stanley propose un grand choix d'accessoires disponibles chez notre revendeur local ou à notre centre de service autorisé pour un coût plus élevé.

Remarques

Stanley mène une politique d'amélioration continue de ses produits et se réserve, de ce fait, le droit d'en modifier les caractéristiques sans préavis. Les accessoires ou équipements peuvent varier selon le pays. Les spécifications du produit peuvent varier selon le pays. La gamme complète du produit peut ne pas être disponible dans tous les pays. Contactez votre revendeur Stanley local concernant la disponibilité de la gamme.

Protection de l'environnement



Collecte sélective. Ce produit ne doit pas être mis au rebut avec les ordures ménagères normales.

Si vous deviez un jour remplacer votre produit STANLEY ou si vous ne l'utilisez plus, ne le jetez pas avec les ordures ménagères. Faites en sorte que ce produit soit traité séparément.



STANLEY met à disposition un centre de collecte et de recyclage pour les produits STANLEY en fin de vie. Et pour en tirer parti, vous devez retourner votre produit à un agent de réparation agréé qui se chargera de la collecte.

Vous pouvez trouver l'agent de réparation agréé le plus proche en contactant votre agence STANLEY locale à l'adresse indiquée dans ce manuel. Autrement, une liste d'agents de réparation agréés STANLEY et des informations complètes concernant notre service après-vente, y compris les coordonnées, sont disponibles en ligne à l'adresse suivante : www.2helpU.com.

Caractéristiques techniques

GRINDER		SGV115
Tension	V	220 - 240
Fréquence	Hz	50/60
Puissance	W	1150
Vitesse à vide	min	De 3000 à 11 000 environ
Diamètre du disque	mm	125
Taille de l'arbre		M14
Poids	kg	2,3

Garantie 2 an

Si votre appareil STANLEY s'avère défectueux en raison d'un vice de matériau ou de fabrication dans les 24 mois à compter de sa date d'achat, STANLEY garantit le remplacement gratuit de toute pièce défectueuse ou – à notre discrétion – le remplacement gratuit de l'appareil, à condition que :

- L'appareil n'ait pas été utilisé avec négligence et qu'il ait été utilisé en suivant les instructions contenues dans ce manuel.
- L'appareil ait été soumis à une usure normale;
- Aucune réparation n'ait été effectuée par du personnel non autorisé;
- Une preuve d'achat soit fournie;
- L'appareil STANLEY soit retourné complet, avec l'ensemble de ses composants originaux;
- L'utilisateur n'a pas utilisé le produit à des fins locatives.


Pour avoir recours à la garantie, contactez votre revendeur ou consultez l'emplacement du centre de réparations agréé STANLEY le plus proche dans le catalogue STANLEY ou contactez le service clientèle STANLEY à l'adresse indiquée dans ce manuel. Une liste des centres de réparations agréés STANLEY et tout détail complémentaire concernant notre service après-vente sont à votre disposition sur notre site internet : www.2helpU.com

ملاحظات


إذا كنت ترغب في المطالبة بالضمان، اتصل ببنائك أو تحقق من موقع أقرب وكيل إصلاح معتمد لستانلي أو اتصل على مكتب ستانلي المحلي على العنوان المشار إليه في هذا الدليل. كما يمكن الحصول على قائمة بوكلاء الإصلاح المعتمدين من ستانلي وبياناتهم الكاملة لخدمات ما بعد البيع على موقع الإنترنت: www.2helpU.com.

تعتمد سياسة شركة Stanley على التحسين المستمر لمنتجاتنا، ومن ثم فإننا نحتفظ بحق إجراء أي تعديلات على المنتجات بدون إشعار مسبق. التجهيزات والملحقات المعيارية يمكن أن تتباين من بلد لآخر. مواصفات المنتج يمكن أن تتباين من بلد لآخر. يمكن ألا يكون مدى النطاق الكامل للمنتج متوفرًا في كل البلدان. اتصل بوكيل Stanley المحلي لديك للتحقق من نطاق التوفر.

حماية البيئة

فرز النفايات. يجب عدم وضع هذا المنتج مع النفايات المنزلية العادية. 

إذا وجدت في يوم ما أنك بحاجة إلى استبدال منتج ستانلي، أو إذا لم تعد بحاجة إلى استخدامه، فلا تتخلص منه مع النفايات المنزلية. وقم بإتاحته للفرز.

يتيح فرز المنتجات المستخدمة وتغليفها بإعادة تدوير المواد واستخدامها مرة أخرى. حيث يساعد إعادة استخدام المواد المعاد تدويرها في منع التلوث البيئي ويقلل من الطلب على المواد الخام. 

يمكنك التحقق من موقع أقرب وكيل إصلاح معتمد من خلال الاتصال بمكتب ستانلي المحلي على العنوان المشار إليه في الدليل. وبدلاً من ذلك، توجد قائمة بوكلاء الإصلاح المعتمدين من ستانلي وبياناتهم الكاملة لخدمات ما بعد البيع وبيانات اتصالاتهم على موقع الإنترنت: www.2helpU.com.

البيانات الفنية

مجلخة	SGV115
الجهد الكهربائي	220-240 فولت
التردد	50/60 هرتز
القدرة	1150 وات
سرعة بدون تحميل	11000~3000 /الدقيقة
قطر القرص	125 ملم
مقاس محور الدوران	M14
الوزن	2.3 كجم

ضمان سنة اثنان

إذا وجد في منتج ستانلي عيب تصنيع أو خامات في غضون 24 شهراً من تاريخ الشراء، تضمن لك ستانلي استبدال جميع الأجزاء المعيبة أو استبدال الوحدة مجاناً وفق تقديرنا المطلق شريطة:

- عدم إساءة استخدام المنتج ووجوب استخدامه وفقاً لدليل التعليمات.
- عدم تعرض المنتج للبلل والإهلاك العادي.
- عدم محاولة إصلاح المنتج عن طريق أشخاص غير معتمدين.
- تقديم سند إثبات الشراء.
- إعادة منتج ستانلي كاملاً مع جميع المكونات الأصلية.
- عدم استخدام المنتج لأغراض التأجير.

الجلخ

جلخ السطح بواسطة أقراص الجلخ

1. اترك الأداة حتى تصل لكامل سرعتها قبل ملاسة الأداة لسطح العمل.
2. طبق الضغط الأدنى على سطح العمل، ساهمًا للأداة أن تعمل على سرعة مرتفعة. يتعاظم معدل الجلخ عندما تعمل الأداة على سرعة مرتفعة.
3. احتفظ بزوايا قدرها من 20° إلى 30° بين الأداة وسطح العمل.
4. حرك الأداة باستمرار في حركة أمامية وخلفية لتجنب تكون تجويف في سطح العمل.
5. أزل الأداة عن سطح العمل قبل إيقاف تشغيلها. اترك الأداة حتى تتوقف عن الدوران قبل وضعها في مكانها.

الاحتياطات الواجب اتخاذها عند صنفرة الطلاء

- لا يُوصى بصنفرة طلاء الرصاص الثابت نظرًا لصعوبة التحكم في الغبار الملوث. يواجه الأطفال والنساء الحوامل الخطر الأكبر للتسمم بالرصاص.
- ومن منطلق صعوبة تحديد ما إذا كان الطلاء يحتوي على رصاص أو لا بدون عمل تحليل كيميائي، فإننا ننصح بالاحتياطات التالية عند صنفرة أي طلاء.

معلومات عامة

تلميحات مفيدة

- امسك مجلخة الزاوية خاصتك بوضع يد على جسم الأداة واليد الأخرى حول الذراع الجانبي بحزم كما هو موضح في الشكل ي.
- ضع دائمًا الواقعي بحيث يكون جزء القرص المكشوف متجهًا بعيداً عنك قدر المستطاع. استعد لحدوث تدفق من الشرر عندما يلامس القرص المعدن.
- احتفظ بزوايا قدرها 30° بين القرص وسطح العمل (الشكل ي) عند الجلخ وزاوية قدرها 10°-15° عند الصنفرة (الشكل ك) من أجل تحكم أفضل للأداة وإزالة المواد وللحد الأدنى من التحميل.
- تحذير! توح أقصى حذر عند الجلخ في الزوايا حين يمكن فجأة أن تحدث حركة حادة للمجلخة وتؤثر بها عند اتصال القرص بالسطح الثانوي.
- تحذير! ارتد دائمًا واقعي عينيْن أثناء تشغيل الأداة الكهربائية.

توقف عمل الفحمات

سوف يتوقف المحرك عن العمل في إشارة إلى أن فحمات الكربون قاربت على الانتهاء وأن الأداة تحتاج إلى الخدمة. لا يمكن صيانة فحمات الكربون من قبل المستخدم. خذ الأداة لوكيل صيانة معتمد من STANLEY.

الصيانة

تم تصميم جهاز/أداة Stanley السلكية/اللاسلكية الخاصة بك لكي تعمل لفترة طويلة بأقل قدر من الصيانة. لضمان الحصول على تشغيل مرضٍ يجب الحفاظ على الأداة وتنظيفها بانتظام.

تحذير! لتقليل خطر التعرض لإصابة بالغة، يرجى إيقاف الأداة الكهربائية وافصل كل القوابس قبل القيام بضبط أو فك/تركيب أي ملحق. قبل إعادة تجميع الأداة، اصغط وحرر زناب التشغيل للتأكد أن الأداة متوقفة بالفعل.

تحذير! عليك بما يلي قبل إجراء أي صيانة على أدوات الطاقة السلكية/اللاسلكية:

التشحيم



تم تشحيم أدوات Stanley بشكل صحيح في المصنع وهي جاهزة للاستخدام.

يجب تشحيم الأدوات بانتظام كل عام حسب الاستخدام. (ربما تحتاج الأدوات التي تُستخدم في الأعمال الشاقة والأدوات المعرضة للحرارة إلى زيادة مرات التشحيم). يجب أن يقوم فقط فرد مختص بإصلاح الأداة الكهربائية بوضع الشحم مثل أفراد مراكز خدمة Stanley أو شخص آخر مؤهل.

التنظيف



تحذير: غالبًا ما يتراكم الغبار والرواسب من جلخ المعادن على الأسطح الداخلية ويمكن أن تسبب خطر الصدمة الكهربائية إذا لم تُنظف. استخدم فقط صابون خفيف وقطعة قماش مبللة لتنظيف الأداة. لا تترك أية سوائل تتسرب إلى داخل الأداة؛ ولا تغمر أي من أجزاء الأداة في السائل.



تحذير! لا تقم مطلقًا باستخدام المذيبات أو المواد الكيماوية القاسية لتنظيف الأجزاء غير المعدنية في الأداة. يمكن أن تضعف هذه المواد الكيماوية من خامة الأجزاء. استخدم فقط صابون خفيف وقطعة قماش مبللة لتنظيف الأداة. لا تترك أية سوائل تتسرب إلى داخل الأداة؛ لا تغمر أي من أجزاء الأداة في السائل.



تحذير! لا تزد الحمل على مجلخة الزاوية الخاصة بك. يؤدي التحميل الزائد إلى انخفاض السرعة والكفاءة، مما يؤدي إلى أن تصبح مجلخة الزوايا الخاصة ساخنة جدًا. إذا حدث ذلك، شغل مجلخة الزاوية بدون أي حمل لمدة دقيقة أو دقيقتين حتى تبرد وتصل إلى درجة حرارة التشغيل العادية. إيقاف تشغيل مجلخة الزاوية الخاصة بك وهي تحت الحمل سوف يقلل من عمر المفتاح الكهربائي.



مهم! لضمان سلامة المنتج واعتماديته، فيجب أن تتم أعمال إصلاحه وصيانته وضبطه (بخلاف تلك المبينة في هذا الدليل)، بواسطة مراكز الخدمة المعتمدة أو مراكز أخرى مؤهلة، مع استخدام الأجزاء البديلة المطابقة دائمًا. لا تحوى الأداة على أجزاء صالحة لاستعمال المستخدم في الداخل.



ملحقات اختيارية

تحذير! إن استخدام أية ملحقات، غير تلك المقدمة من قبل Stanley، لم تُختبر مع هذا المنتج، قد يسبب خطرًا. لتقليل خطر الإصابة، يجب استخدام الملحقات الموصى بها من قبل Stanley فقط مع هذا المنتج.



تعتمد كفاءة أداة أي أداة كهربائية على الملحقات المستخدمة. لقد تم تصميم ملحقات Stanley لتفي بمواصفات الجودة الفائقة، ولتحسين كفاءة أداة الأداة الكهربائية. وستضمن الحصول على أفضل كفاءة أداة Stanley بواسطة استخدام الملحقات Stanley. توفر Stanley اختيارات كثيرة من الملحقات المتاحة عند تجارنا المحليين أو مراكز الخدمة المعتمدة بتكلفة إضافية.

المفاتيح

تحذير: أمسك جسم الأداة بثبات للمحافظة على التحكم في الأداة عند بدء التشغيل وأثناء الاستخدام وحتى يتوقف القرص أو الملحق عن الدوران. تحقق من أن العجلة قد توقفت تماماً قبل إنزال الأداة.

ملاحظة: لفرض تقليل الحركات غير المتوقعة من الأداة فلا تقم بتشغيل أو إطفاء الأداة وهي تحت تأثير الحمل. اسمح للمجلة بالعمل بسرعتها الكاملة قبل ملامسة سطح العمل. ارفع الأداة من السطح قبل إطفائها. اترك الأداة إلى أن تتوقف عن الدوران قبل إنزالها.

المفتاح المنزلق (الشكل أ)

تحذير: قبل توصيل الأداة بمصدر التيار، تأكد أن مفتاح المنزلق على وضع الإيقاف بواسطة الضغط على الجزء الخلفي من المفتاح وتحريره. تحقق من أن المفتاح المنزلق في وضع الإيقاف بالشكل الموضح أعلاه بعد حدوث أي خلل في إمداد الأداة بالطاقة، مثل تفعيل القاطع الأرضي وإسقاط قاطع الدائرة والفصل المفاجيء للتيار أو عيوب في شبكة الإمداد بالطاقة. إذا كان قفل المفتاح المنزلق مفتوح عند التوصيل بالتيار، فسوف تعمل الأداة فجأة.

لبدء تشغيل الأداة، حرك المفتاح المنزلق (1) باتجاه مقدمة الأداة. لإطفاء الأداة، حرر المفتاح المنزلق. للتشغيل المستمر، ازلق المفتاح تجاه مقدمة الأداة واضغط على الجزء الأمامي من المفتاح للدخول. لإيقاف الأداة أثناء التشغيل في الوضع المستمر، اضغط على الجزء الخلفي من المفتاح المنزلق وحرره.

قفل عمود الدوران (الشكل أ)

يعمل قفل عمود الدوران (2) على منع عمود الدوران من الدوران عند تركيب أو إزالة قرص الجليخ. استخدم فقط قفل عمود الدوران عند توقف الأداة عن العمل وفصلها وتوقف القرص تماماً.

ملاحظة: لتقليل تلف الأداة، لا تستخدم قفل عمود الدوران عند تشغيل الأداة. غير ذلك، فيمكن أن تتلف الأداة، وقد تنفصل الملحقات مسببة إصابة.

في حالة استخدام قفل محور الدوران، اضغط على زر قفل محور الدوران وأدر محور الدوران حتى يتوقف.

التطبيق على المعادن

عند استخدام الأداة على المواد المعدنية فتتحقق من إدخال جهاز التيار المتبقي منعاً لوقوع مخاطر جراثيم البرادة المعدنية.

إذا تسبب قاطع الدائرة المتبقية (RCD) في فصل الطاقة الكهربائية، فيجب إرسال الإداة إلى وكيل Stanley المعتمد لإصلاحها.

تحذير! في ظل ظروف العمل الشاقة، يمكن أن يتراكم الغبار الموصل والرواسب في داخل العلية عند التعامل مع قطع العمل المعدنية.

يمكن أن يتسبب ذلك في التعرض لصدمة كهربائية بالإضافة إلى إضعاف طبقة العزل الواقية في المشحذة.

لتجنب تراكم البرادة المعدنية في داخل المجلة، فإننا نوصي بتنظيف أنابيب التهوية يومياً. راجع الصيانة.

استخدام أقراص الجليخ

تحذير: البرادة المعدنية تتراكم. يمكن أن يؤدي الاستخدام المفرط لقرص الجليخ على المعادن إلى زيادة خطر التعرض لصدمة كهربائية. لتقليل هذه المخاطر فأدخل جهاز RCD قبل الاستخدام ونظف منافذ التهوية يومياً. احرص على اتباع تعليمات الصيانة الموضحة أدناه لنفخ الهواء المضغوط الجاف في منافذ التهوية.

التحضير قبل الاستخدام

- ركب واثني سلامة وأقراص سحج أو جليخ مناسبة. لا تستخدم أقراص سحج أو جليخ متآكلة تماماً.
- تأكد أن الشفاه الداخلية والخارجية موصلة بشكل صحيح.
- تأكد أن أقراص السحج أو الجليخ تدور في اتجاه الأسهم الموضحة على الملحقات والأداة.

عملية التشغيل

تحذير! احرص دائماً على مراعاة تعليمات السلامة والقيود السارية.

تحذير! لتقليل خطر التعرض للإصابة، يرجى إيقاف تشغيل الأداة الكهربائية وفصل كل القوايس قبل القيام بضبط أو فك/تركيب أية ملحقات. قبل إعادة تجميع الأداة، اضغط وحرر زناد التشغيل للتأكد أن الأداة متوقفة بالفعل.

تحذير!

- تأكد من كل المواد المراد جليخها مؤمنة في موضعها.
- اضغط قليلاً على الأداة. لا تمارس ضغطاً جانبياً على قرص السحج.
- تجنب فرط التحميل. إذا ما أصبحت الأداة ساخنة للغاية فاتركها تهدأ بضع دقائق بدون حمل.
- تأكد من الإمساك بالأداة بإحكام بكلتا يديك (يد على العلية والأخرى على المقبض الجانبي). ابدأ تشغيل الأداة وضع قرص الجليخ على قطعة العمل.
- احتفظ بحافة القرص مائلة بزواوية تتراوح من 15 إلى 30 درجة في مقابل سطح قطعة العمل.
- عند استخدام قرص جليخ جديد، فلا تقم بتشغيل القرص في الاتجاه B. وإلا فسوف تقوم بالقطع في قطعة الشغل. عند القيام بتدوير حافة العجلة فيمكنك بحرية تشغيل المجلة إما في الاتجاه A أو B.

البدء والإيقاف (الشكل أ)

تحذير! قبل استخدام الأداة، تحقق أن المقبض محكم بشكل آمن. تحقق مما إذا كان مفتاح بدء/ إيقاف التشغيل يعمل بشكل عادي.

قبل توصيل الأداة بمصدر التيار، تحقق مما إذا كان المفتاح في وضع الإيقاف (0) عند الضغط على الطرف الخلفي للمفتاح.

لبدء عمل الأداة اضغط على الطرف الخلفي للمفتاح وحركه للأمام. ثم اضغط على الطرف الأمامي للمفتاح لوقفه.

اضغط على الطرف الخلفي للمفتاح وأوقف الأداة.

تحذير! لا تقم بتشغيل أو إيقاف الأداة وهي تحت تأثير التحميل.

الوضع اليدوي المناسب (الشكل و)

تحذير! لتقليل مخاطر الإصابة الشخصية، استخدم دائماً الوضع اليدوي المناسب كما هو موضح.

تحذير! لتقليل مخاطر الإصابة الشخصية، احرص دائماً على الوقوف بأمان تحسباً لأي ارتداد مفاجيء.

يتطلب الوضع اليدوي المناسب أن تكون هناك يد على المقبض الجانبي (الشكل أ)، واليد الأخرى على جسم الأداة، كما هو موضح في الشكل و.

قرص السرعة المتغيرة (الشكل و)

يوفر قرص السرعة المتغيرة تحكم إضافي للأداة ويمكن الأداة لتستخدم في الظروف المثلى لتتناسب مع الملحقات والمواد.

- أدر القرص (II) على المستوى المطلوب. أدر القرص لأعلى للحصول على السرعة المرتفعة وإلى أسفل للحصول على السرعة المنخفضة.

السلامة من مخاطر الكهرباء

هذه الأداة مزدوجة العزل؛ وبالتالي لا حاجة إلى توصيل سلك أرضي. وينبغي التأكد دائما من توافق جهد مصدر التيار الكهربائي مع الجهد الموضح على لوحة التقنين.



تحذير! في حالة تلف سلك الطاقة، يجب استبداله من قبل مُصنِع الجهاز، أو مركز خدمة معتمد لدى شركة Stanley، أو أي فني مؤهل على نفس المستوى لتجنب أي تلف أو إصابة. في حالة استبدال سلك الطاقة بواسطة فني مؤهل على نفس المستوى، ولكنه غير معتمد لدى شركة Stanley، فسوف تسقط صلاحية الضمان.



2. قفل عمود الدوران (الشكل أ)

3. واقى (الشكل أ)

11. فرص السرعة المتغيرة (الشكل و)

ميزة البدء الناعم

تتيح ميزة البدء الناعم دعم بطئ للسرعة لتجنب حدوث ارتجاج في الأول عند بدء التشغيل تعد هذه الميزة مفيدة خاصة عند العمل في الفراغات الضيقة.

لا فولت

وتوقف الدالة نو فولت إعادة تشغيل الطاحونة دون تبديل المفتاح إذا كان هناك انقطاع في مصدر الطاقة

التجميع

تحذير! لتجنب التشغيل العرضي، أوقف تشغيل الأداة وافصلها عن التيار قبل القيام بالعمليات التالية. التماس عن فعل هذا قد يؤدي إلى إصابة شخصية خطيرة.

تركيب وإزالة واقى القرص (الشكل ب)

تحذير! لتقليل خطر التعرض للإصابة، يرجى إيقاف تشغيل الأداة الكهربائية وفصل كل القوابس قبل القيام بضبط أو فك/تركيب أية ملحقات. قبل إعادة تجميع الأداة، اضبط وحرر زناد التشغيل للتأكد أن الأداة متوقفة بالفعل.

تركيب الواقي

1. ركب مجلحة الزاوية على سطح عمل، على أن يكون الحز يتجه لأعلى.
2. ركب شفة طوق الواقي (3) أعلى الحز (9) الخاص بعلبة التروس.
3. أدر الواقي (3) في عكس اتجاه عقارب الساعة بمقدار 150 درجة.
4. تحقق من أن البراغي (10) محكمة الربط.

إزالة الواقي

1. حرر البراغي (10) الموجودة على طوق الواقي.
2. اسحب الواقي (3).

تحذير! لا تشغل الأداة عندما لا يكون واقى السلامة في موضعه. ملاحظة: ارجع إلى جدول ملحقات الجرخ في نهاية هذا الفصل بشأن الملحقات التي يمكن استخدامها مع مجلحة الزاوية هذه.

تركيب وإزالة أقراص الجرخ (الشكل ج، د)

تحذير! لا تستخدم أقراص الجرخ التالفة.

1. ضع الأداة على منضدة العمل، ويكون الحز يتجه لأعلى.
2. الشكل ج: أوصل الشفة الداخلية (4) بطريقة صحيحة في عمود الدوران (5).
3. ضع قرص الجرخ (6) في الشفة الداخلية (4). عند تركيب قرص جرخ على محور مرتفع، تأكد أن المحور المرتفع (7) يواجه الشفة الداخلية (4).
4. الشكل د: احكم ربط الشفة الداخلية (ح) حتى عمود الدوران (5).
4. عند ارفاق قرص الجرخ، يجب أن تكون الحلقة الموجودة في أعلى الشفة الخارجية (8) مواجهة للقرص.
5. اضغط على قفل محور الدوران (2) وامنع محور الدوران (4) من التدوير حتى يُغلق في موضعه.
6. استخدم مفتاح ربط لإحكام ربط الشفة الخارجية (8).

استخدام كابل إطالة

إذا كان من الضروري استخدام كابل امتداد، يرجى استخدام كابل امتداد معتمد يتوافق مع مواصفات مدخل الكهرباء للأداة. يُقدر الحد الأدنى لمساحة المقطع العرضي لسلك التوصيل بـ 1.5 مللي متر مربع. ويجب أن تُحل الكابلات قبل أن تُلف.

مساحة كابل المقطع العرضي (م ²)	تيار الكابل المقتن (بالأمبير)
0.75	6
1.00	10
1.50	15
2.50	20
4.00	25

طول الكابل (م)

الجهد الكهربائي	أمبير	تيار الكابل المقتن (بالأمبير)					
		7.5	15	25	30	45	60
115	0 - 2.0	6	6	6	6	6	6
	2.1 - 3.4	6	6	6	6	6	6
	3.5 - 5.0	6	6	10	15	20	20
	5.1 - 7.0	10	10	10	15	20	25
	7.1 - 12.0	15	15	15	20	25	-
	12.1 - 20.0	20	20	20	25	-	-
230	0 - 2.0	6	6	6	6	6	6
	2.1 - 3.4	6	6	6	6	6	6
	3.5 - 5.0	6	6	6	6	6	6
	5.1 - 7.0	10	10	10	10	10	15
	7.1 - 12.0	15	15	15	15	15	20
	12.1 - 20.0	20	20	20	20	20	-

الخصائص

يشمل هذا الجهاز على بعض أو جميع المواصفات التالية:

1. مفتاح بدء/ إيقاف التشغيل (الشكل أ)








ملاحظة: ينبغي استخدام فقط الأفتعة الواقية من الغبار المناسبة لغبار الطلاء والأدخنة. لا تتوفر أفتعة الطلاء العادية هذه الحماية. راجع إلى تاجر الأجهزة المحلي لمعرفة القناع المناسب المعتمد من المعهد الوطني للسلامة والصحة المهنية "NIOSH".

سلامة البيئة

- يجب إزالة الطلاء بحيث يتم تقليل كمية الغبار المتولدة.
- يجب غلق المناطق التي أزيل الطلاء منها بغطاء بلاستيكي بسلك 4 مللي.
- يجب إجراء الصنفرة بهدف تقليل تتبع غبار الطلاء خارج منطقة العمل.

الملصقات الموجودة على الأداة

يمكن أن تشمل الملصقة الموجودة على الأداة على الرموز الآتية:

	تحذير! من أجل تقليل مخاطر الإصابة، يجب على المستخدم قراءة دليل التعليمات.		
	ارتدِ واقِي الأذن.		
	ارتداء نظارة حماية أو أمان.		
V	فولت	===	تيار مباشر
A	مبير	n ₀	سرعة بدون تحميل
Hz	رتز		الفئة التصميمية الثانية
W	وات		طرف أرضي
min	دقائق		رمز تحبيه الأمان
	تيار متردد	/min.	عدد الدورات أو الترددات في الدقيقة

موضع كود التاريخ (الشكل أ)

كود التاريخ (10) الذي يتضمن بيان سنة الصنع، مطبوع في العلبه. مثال:

XX JN 2017

سنة الصنع

محتويات العبوة

تحتوي العبوة على:

- 1 ملحجة زاوية
- 1 واقِي
- 1 مجموعة شفاه
- 1 مفتاح ربط
- 1 مقبض
- 1 دليل تعليمات

- تحقق من أي تلف قد يحدث في الأداة أو أجزائها أو الملحقات أثناء النقل.
- وفّر الوقت الكافي لقراءة وفهم هذا الدليل بالكامل قبل الاستخدام.

- لا تضع جسمك في المنطقة التي سوف تتجه إليها الأداة الكهربائية في حالة حدوث الارتداد. سوف يدفع الارتداد الأداة في الاتجاه المقابل لحركة القرص عند نقطة التمزق.
- يجب توخي العناية اللازمة عند العمل في الزوايا أو الحواف الحادة وما إلى ذلك. تجنب انزلاق أو تمزيق الملحق. قد تسبب الزوايا أو الحواف الحادة أو الانزلاق تمزيق قطعة الملحقات الدوارة مما يؤدي إلى فقدان السيطرة أو الارتداد.
- لا توصل شفرة حفر الخشب بجزئير المنشار أو شفرة المنشار المسنن. قد تتسبب مثل هذه الشفرات في عمل ارتداد متكرر وفقدان القدرة على التحكم.

تعليمات الأمان الإضافية

- لا تستخدم الأقراص من النوع 11 (كأس جلخ) مع هذه الأداة. قد يتسبب استخدام ملحقات غير مناسبة في حدوث إصابة.
- استخدم المقبض الجانبي دائماً. اقبض على المقبض بإحكام. يجب استخدام المقبض الجانبي دائماً لإبقاء التحكم في الأداة طوال الوقت.
- استخدم المشابك أو أية طرق عملية أخرى لغرض تأمين وتدعيم قطعة العمل على منصة ثابتة. القيام بالعمل يدوياً أو في مقابل جسمك يجعل أداة العمل غير مستقرة ويمكن أن يؤدي إلى فقدان التحكم.

تحذيرات السلامة المتعلقة بالجلخ

- a لا تستخدم إلى الأنواع الموصى بها للأداة الكهربائية ودرع الحماية المخصص للعجلة المختارة. العجلات التي لا ينصح باستخدام أداة الطاقة الكهربائية لتنفيذها لا يمكن حمايتها وتصبح غير آمنة.
- b يجب تثبيت سطح الجلخ لمركز العجلات المنخفضة أسفل سطح حافة الدرغ. لا يمكن حماية العجلة المركبة بطريقة خاطئة التي تنتج من خلال سطح حافة الدرغ كما ينبغي.
- c ينبغي تركيب الدرغ بإحكام على الأداة الكهربائية وضبط وضعه لتأمين أقصى حماية. بحيث يكون الجزء المكشوف من العجلة بالنسبة للمشغل اقل ما يمكن. يساعد الدرغ على حماية المشغل من شظايا العجلة المكسورة والتلامس المفاجئ بالعجلة والشرر المتولد الذي يمكنه إشعال الملابس.
- d العجلات يجب أن يتم استخدامها فقط للتطبيقات الموصى بها. على سبيل المثال: لا تقم بالحفر بجانب عجلة القطع. عجلات القطع الحكاكة مخصصة لأعمال الحفر المحيطية، والقوى الجانبية المؤثرة على هذه العجلات يمكن أن تتسبب في تحطيمها.
- e احرص دائماً على استخدام فلانشات العجل غير المتضررة التي لها نفس المقاس والقطعية الصحيحة للعجلة المختارة. فلانشات العجلة المناسبة توفر الدعم اللازم للعجلة، ومن ثم فإنها تعمل على تقليل احتمالية كسر العجلة. فلانشات عجل القطع يمكن أن تختلف عن فلانشات عجل الحفر.
- f لا تستخدم العجلات المتآكلة من أدوات أكبر. العجلات المخصصة للاستخدام مع أدوات الطاقة الكهربائية الأكبر ليست مناسبة للعمل مع سرعات أعلى لنفس الأداة ويمكن أن تنفجر.

السلامة الشخصية

- لا ينبغي على الأطفال أو السيدات الحوامل دخول منطقة العمل حيث تُجرى صنفرة الطلاء حتى اتمام عملية التنظيف.
- يجب أن يرتدي كل الأشخاص الذين يدخلون منطقة العمل القناع الواقِي من الغبار أو كاماة تنفس. ينبغي استبدال المرشح يومياً أو عندما يجد المستخدم صعوبة في التنفس.

g استخدم أداة الطاقة الكهربائية والكماليات ورووس الأداة وما إلى ذلك بما يتوافق مع هذه التعليمات، مع الوضع في الاعتبار ظروف العمل والأعمال المراد تنفيذها. استخدام أداة الطاقة الكهربائية لتنفيذ العمليات في الأغراض غير المخصصة يمكن أن يتسبب في التعرض لمواقف خطيرة.

5. الخدمة

a احرص على أن يقوم فني متخصص بإصلاح الأداة الكهربائية الخاصة بك وباستخدام قطع الغيار المتطابقة فقط، وذلك يضمن سلامة صيانة الأداة الكهربائية.

تعليمات السلامة لكل العمليات

تحذيرات الأمان الشائعة الخاصة بالبلخ

- هذه الأداة الكهربائية مخصصة للعمل كمجلمخة. احرص على قراءة كل تحذيرات السلامة والتعليمات والصور ذات الصلة والموصفات المزودة مع الأداة الكهربائية. أي قصور في اتباع تعليمات السلامة الموضحة أدناه يمكن أن تتسبب في صدمة كهربائية أو/أو إصابات بالغة.
- لا يوصى بتنفيذ عمليات مثل التلميع باستخدام هذه الأداة الكهربائية. إن استخدام الأداة الكهربائية في العمليات التي لم تُصمم لتنفيذها يمكن أن يتسبب في وقوع مخاطر وإصابات شخصية بالغة.
- لا تستخدم الملحقات التي لم تُصمم خصيصاً وتوصى من قبل الجهة المصنعة للأداة. لأن الملحقات يمكن توصيلها بالأداة الكهربائية الخاصة بك، ولا تضمن تشغيلاً آمناً.
- يجب أن تكون السرعة المقننة للمحركات على الأقل مساوية للسرعة القصوى الموضحة على الأداة الكهربائية. الملحقات التي تعمل بمعدل أسرع من سرعتها المقررة يمكن أن تنكسر ويتطاير.
- يجب أن يكون القطر الخارجي وسمك الملحقات الخاصة بك في إطار معدل قدرة الأداة الكهربائية الخاصة بك. الملحقات غير صحيحة المقاس لا يمكن حمايتها أو التحكم فيها بشكل مناسب.
- لا يمكن حماية الملحقات غير صحيحة المقاس ولا التحكم فيها بشكل مناسب. بالنسبة للمحركات التي تُركب بواسطة الشفاه، ينبغي أن يتلائم الملحق مع قطر موضع الشفة. الملحقات غير المتوافقة مع الأجزاء المركبة للأداة الكهربائية سوف تفقد توازنها، وتهتز بشدة ويمكن أن تتسبب في فقدان التحكم.
- لا تستخدم ملحقات تالفة. افحص الملحقات قبل كل استخدام مثل قرص السحج للتحقق من الشقوق والخدوش، أو وسادة التغطية للتحقق من الشقوق أو التمزق أو البلى الزائد، أو فحص الفرشاة السليكية للتحقق من الأسلاك المرتخية أو المشقوفة. إذا سقطت الأداة الكهربائية أو الملحق، فتتحقق من وجود أي تلف أو يتم تركيب ملحق غير تالف. بعد الانتهاء من فحص وتركيب قطعة ملحقة، احرص على أن تكون أنت والمرافقين بعيدين عن نطاق القطعة الملحقة الدوارة وقم بتشغيل الأداة الكهربائية على أقصى سرعة بدون حمل لمدة دقيقة. سوف تنكسر الملحقات التالفة في المعتاد أثناء فترة الاختبار هذه.
- ارتد معدات الحماية الشخصية. حسب التطبيق، استخدم واقي الوجه أو نظارات الوقاية أو الأمان. حسب الحاجة، ارتد قناع الأتربة وواقبات الأذن والقفازات ومنزّر العمل والتي تحمي من الكواش وشظايا العمل الصغيرة. يجب أن يكون واقي العينين قادراً على منع البقايا المتطايرة المتولدة عن العمليات المختلفة. يجب أن يكون قناع الأتربة أو الكمامة قادرين على تنقية الجزيئات المتولدة عن العملية. يمكن أن يتسبب التعرض المستمر لضجيج شديد الكثافة في فقدان السمع.

- احرص على إبعاد المتواجدين في منطقة العمل بمسافة أمان كافية. يجب على أي شخص يدخل منطقة العمل ارتداء معدات الحماية الشخصية. يمكن أن تتطاير شظايا قطع العمل أو الملحقات المكسورة وتتسبب في إلحاق إصابات خارج نطاق منطقة التشغيل.
- احرص على حمل الأداة الكهربائية فقط باستخدام أسطح إمساك معزولة عند استخدامها حيث يمكن أن تتلامس ملحقات التقطيع والأسلاك الخفية أو سلك الأداة. ملحقات التقطيع التي تلامس سلك "حي" يمكن أن تجعل الأجزاء المعدنية المكشوف للأداة الكهربائية "طرف حي" وتتسبب في حدوث صدمة كهربائية للمشغل.
- ضع السلك بحيث يكون خالياً من الملحقات الدوارة. في حالة فقدانك التحكم، فيمكن أن يتعرض السلك للقطع أو للتمزق، ويمكن سحب يدك أو ذراعك إلى داخل الملحق الدوار.
- لا تقم مطلقاً بإزالة الأداة الكهربائية حتى تتوقف تماماً عن الحركة. يمكن أن يتعلق الملحق الدوار بالسطح ويخرج الأداة الكهربائية عن تحكمك.
- لا تقم بتشغيل الأداة الكهربائية أثناء حملها على جانبك. يمكن أن يؤدي التلامس المفاجئ مع الملحق الدوار أن إلى التشابك بملابسك وسحب الملحق تجاه جسمك.
- نظف فتحات تهوية الأداة الكهربائية بانتظام. سوف تقوم مروحة المحرك بإدخال الغبار إلى المبيت، وقد يسبب التراكم الزائد للغبار المعدني وقوع مخاطر كهربائية.
- لا تشغل الأداة الكهربائية بالقرب من مواد قابلة للاشتعال. حيث يمكن أن يشعل الشرر هذه المواد.
- لا تستخدم الملحقات التي تتطلب مواد تبريد سائلة. قد يتسبب استخدام الماء أو أية وسائل تبريد أخرى في التعرض لصدمة كهربائية أو الصعق.

تعليمات أمان إضافية لكل العمليات

الارتداد والتحذيرات المتعلقة به

- الارتداد يُقصد به رد الفعل المفاجئ لضغط أو تمزق العجلة الدوارة أو وسادة الدعم أو الفرشاة أو أية ملحقات أخرى. يتسبب الضغط أو التشابك في التوقف السريع للملحق الدوار والذي بدوره يتسبب في إجبار الأداة الكهربائية غير المتحكم فيها على التحرك في الاتجاه المقابل لاتجاه دوران الملحق عند نقطة الاتصال.
- على سبيل المثال، إذا تمزق أو تعثر قرص الجليخ بسبب العمل، فإن حافة القرص الداخلة في نقطة الضغط قد تدخل في سطح المادة مما قد يسبب انثناء القرص أو اعوجاجه. قد يقفز القرص للأمام أو بعيداً عن المشغل، بحسب اتجاه حركة القرص في نقطة الضغط. قد تنكسر أيضاً أقراص الجليخ تحت تأثير هذه الظروف. يحدث الارتداد نتيجة لسوء استخدام الأداة و/أو طريقة أو ظروف التشغيل غير الصحيحة، ويمكن تجنب ذلك من خلال اتخاذ الاحتياطات المناسبة، مثل:
- أحكم قبضتك على الأداة الكهربائية وثبت جسمك وذراعك في وضع يسمح لك بمقاومة قوى الارتداد. احرص دائماً على استخدام مقبض إضافي، إن وجد، للتحكم الأقصى في الارتداد أو رد فعل العزم أثناء بدء التشغيل. يمكن للمشغل التحكم في رد فعل عزم الدوران أو قوى الارتداد إذا تم اتخاذ الاحتياطات المناسبة.
- لا تضع يدك مطلقاً بالقرب من قطعة الملحقات الدوارة. حيث قد ترد قطعة الملحقات ناحية يدك.

الغرض من الاستخدام

صُممت جلاخة الزاوية STANLEY SGV115 الخاصة بك لجلخ المعادن باستخدام النوع المناسب من قرص الجليخ. هذه الأداة مخصصة للاستخدام الاحترافي فقط.

تعليمات السلامة

تحذيرات عامة متعلقة بسلامة الأداة الكهربائية



تحذيراً! اقرأ كل تحذيرات الأمان وكل التعليمات. أي قصور في اتباع التحذيرات وتعليمات السلامة الموضحة أدناه يمكن أن تتسبب في صدمة كهربائية أو حروق و/أو إصابات بالغة.

احتفظ بكل التحذيرات والتعليمات كمرجع مستقبلي. يشير مصطلح "الأداة الكهربائية" الوارد في التحذيرات إلى الأداة الكهربائية المشغلة عن طريق التيار الكهربائي (يكابل) أو بطارية (بدون كابل).

1. سلامة منطقة العمل

- حافظ على منطقة العمل نظيفة ومضاءة جيداً. فالمناطق غير المرتبة أو المظلمة عرضة لوقوع حوادث.
- لا تشغل الأدوات الكهربائية في أجواء قابلة للانفجار، مثل وجود سوائل أو غازات أو غبار قابلة للاشتعال. تطلق الأدوات الكهربائية شرراً يمكن أن يشعل الغبار أو الأبخرة.
- احرص على إبعاد الأطفال والمواجدين في منطقة العمل عند تشغيل الأداة الكهربائية. مصادر صرف الانتباه يمكن أن تجعلك تفقد القدرة على التحكم.

2. السلامة من مخاطر الكهرباء

- يلزم توافق قوايس الأداة الكهربائية مع مقيس التيار الكهربائي. يحظر تعديل القابس بأي طريقة. لا تستخدم قوايس مهايئ مع الأدوات الكهربائية المتصلة بالأرضي (مؤرضة). يحد استخدام القوايس غير المعدلة وماخذ التيار المتطابقة من مخاطر التعرض للصدمة الكهربائية.
- تجنب ملامسة الجسم مع أسطح مؤرضة أو أرضية، مثل المواسير والمدافئ والأفران والمبردات. يزداد خطر التعرض لصدمة كهربائية إذا كان جسمك في وضع تأريض أو أرضي.
- لا تعرض الأدوات الكهربائية للمطر أو لظروف رطبة. سوف يؤدي تسرب الماء إلى داخل الأداة الكهربائية إلى زيادة مخاطر التعرض للصدمة الكهربائية.
- لا تسئ استخدام السلك. لا تستخدم السلك مطلقاً في حمل أو سحب الأداة الكهربائية أو فصلها من المقيس. ابق السلك بعيداً عن الحرارة والزيت والحواف الحادة والأجزاء المتحركة. تزيد الأسلاك التالفة أو المتشابكة من مخاطر التعرض للصدمة الكهربائية.
- عند تشغيل الأداة الكهربائية في الخارج، فاستخدم سلك امتداد مناسباً للاستخدام الخارجي. استخدم سلك مناسب لأغراض الاستخدام الخارجي يقلل من مخاطر التعرض للصدمة الكهربائية.
- إذا لم يكن هناك مقر من تشغيل الأداة الكهربائية في منطقة رطبة، فاستخدم شبكة تغذية محمية بأداة التيار المتبقي (RCD). تقلل استخدام أداة التيار المتبقي من مخاطر التعرض للصدمة الكهربائية. ملاحظة: يمكن استبدال المصطلح "أداة التيار المتبقي (RCD)" بالمصطلح "قاطع الدائرة في حالة تعطل الأرضي (GFCI)" أو "قاطع الدائرة في حالة تسريب الأرضي (ELCB)".

3. السلامة الشخصية

- كن متيقظاً. وراقب ما تفعل واستخدم حسك العام عند تشغيل الأداة الكهربائية. لا تستخدم الأداة الكهربائية عندما تكون مجهداً أو تحت تأثير المخدرات أو الكحوليات أو الأدوية. في حالة عدم الانتباه عند تشغيل الأداة الكهربائية يمكن أن تتسبب في وقوع إصابات شخصية بالغة.
- استخدم معدات الحماية الشخصية. احرص دائماً على ارتداء واقي العينين. سوف تعمل معدات الحماية، مثل قناع الغبار وأحذية السلامة المقاومة للانزلاق والخوذة الصلبة وواقي الأذن المستخدمة في ظروف مناسبة على تقليل معدل الإصابات الشخصية.
- تجنب بدء العمل بدون قصد. تحقق من أن المفتاح في وضع الإيقاف قبل التوصيل بمصدر الكهرباء و/أو علبه البطارية أو قبل النطاق أو حمل الأداة. إن حمل الأدوات الكهربائية وإصبعك على مفتاح التشغيل أو بينما الأدوات في وضع التشغيل من شأنه أن يستدعي وقوع حوادث.
- تخلص من أية مفاتيح ضبط أو ربط قبل تشغيل الأداة الكهربائية. يمكن أن يتسبب أي مفتاح ربط أو ضبط موصل بالجزء الدوار من الأداة الكهربائية في وقوع إصابات شخصية.
- تجنب المبالغة. يتبع ذلك إصبعك في وضع مناسب واحتفظ باتزانك في كل الأوقات. حيث يتضح ذلك إمكانية التحكم أفضل في الأداة الكهربائية في المواقف غير المتوقعة.
- ارتدي زياً مناسباً. لا ترتدي الملابس الفضفاضة أو الحلي. احرص على إبقاء شعرك وملابسك وقفاتك بعيداً عن الأجزاء المتحركة. فقد تعلق الملابس الفضفاضة أو المجوهرات أو الشعر الطويل في الأجزاء المتحركة. إذا كانت الأجهزة معدة للتوصيل بوسائل إزالة أو تجميع الأتربة، فتأكد من توصيلها واستخدامها بشكل مناسب. استخدام هذه الأجهزة يمكن أن يقلل من المخاطر المتعلقة بالغباب.
- استخدام الأداة الكهربائية والعناية بها
- لا تضغط على الأداة الكهربائية. استخدم الأداة الكهربائية المناسبة لاستعمالك. حيث أن الأداة الكهربائية المناسبة سوف تقوم بأداء العمل بشكل أفضل وأكثر أماناً وفقاً للمعدل التي صُممت لأجله.
- لا تستخدم الأداة الكهربائية إذا لم يقم المفتاح بالتشغيل والإيقاف أية أداة كهربائية لا يمكن التحكم فيها باستخدام المفتاح تصبح خطرة ويجب إصلاحها.
- افصل القابيس عن مصدر الطاقة الكهربائية و/أو علبه البطارية من الأداة الكهربائية قبل إجراء أية تعديلات، أو تغيير أية ملحقات، أو تخزين الأدوات الكهربائية. تعمل إجراءات السلامة الوقائية هذه على تقليل خطر بدء تشغيل الأداة الكهربائية بدون قصد.
- خزن الأدوات الكهربائية غير المستخدمة بعيداً عن متناول الأطفال ولا تسمح للأشخاص الغير معتمدين على الأداة الكهربائية أو هذه التعليمات بتشغيل الأداة الكهربائية. تمثل الأدوات الكهربائية خطراً في أيدي المستخدمين غير المتدربين.
- قم بصيانة الأدوات الكهربائية. تحقق من وجود أي اختلاف أو عائق في الأجزاء المتحركة، أو كسر في الأجزاء، وأية حالة أخرى يمكن أن تؤثر على تشغيل الأدوات الكهربائية. في حالة تلفها، يتم إصلاح الأداة الكهربائية قبل استخدامها. تقع العديد من الحوادث جراء صيانة الأدوات الكهربائية بشكل سيء.
- احرص على أن تظل أدوات القطع حادة ونظيفة. تعمل الصيانة المناسبة لأدوات القطع ذات الحواف الحادة على تقليل احتمالية أن تنظم ويمكن التحكم فيها بشكل أسهل.

