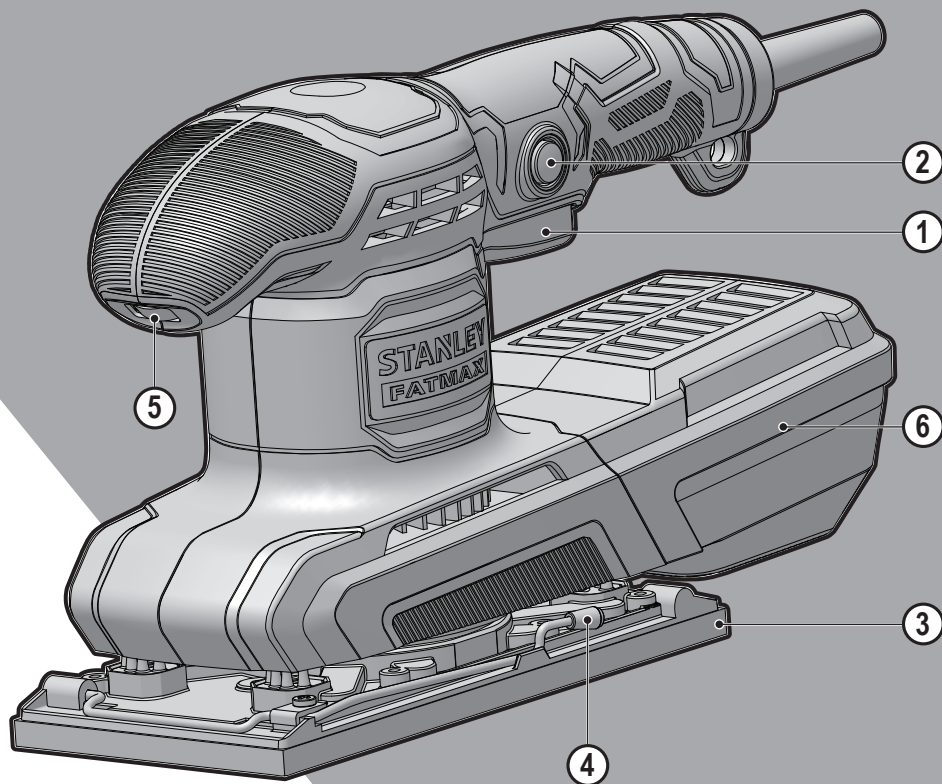


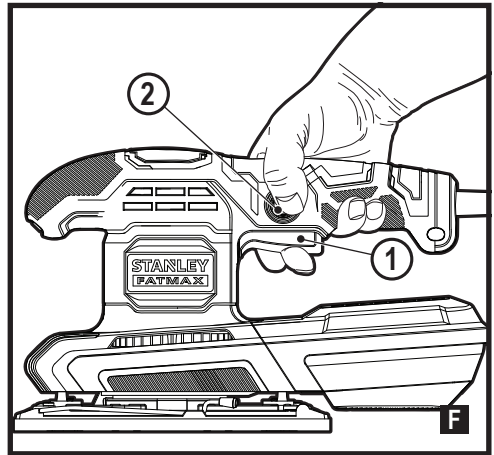
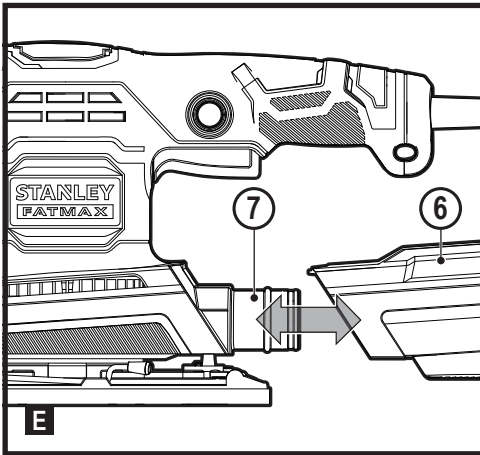
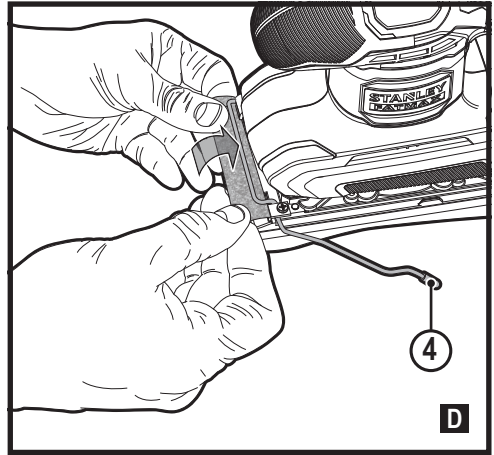
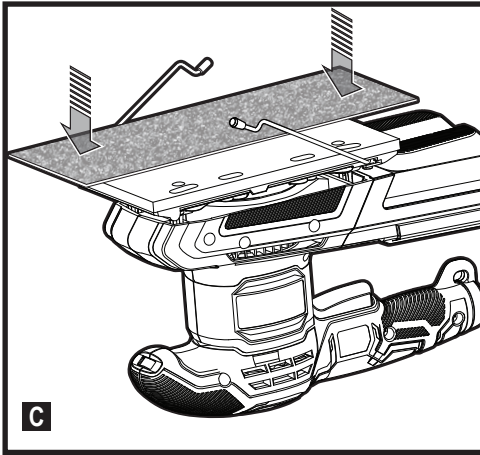
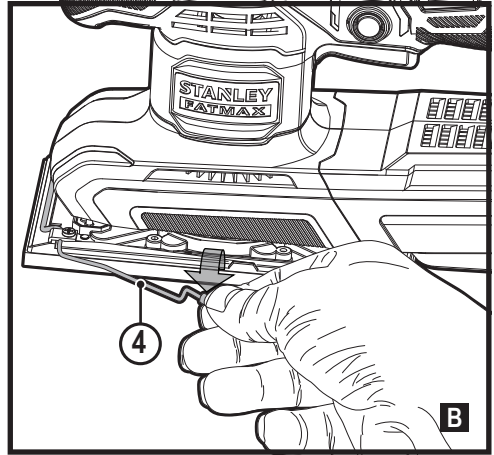
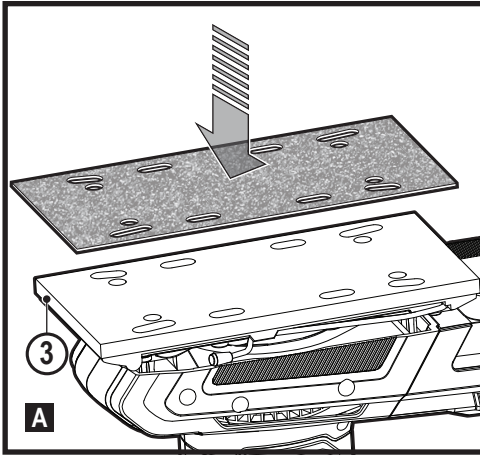
STANLEY®

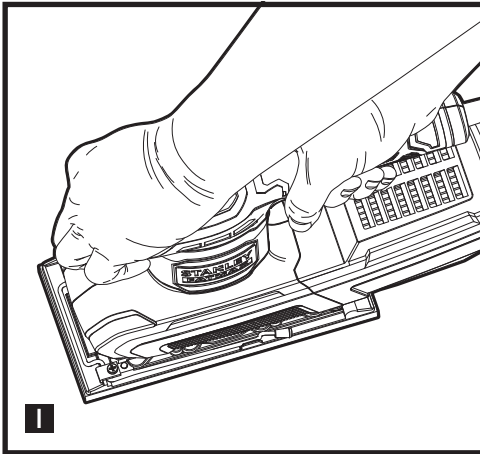
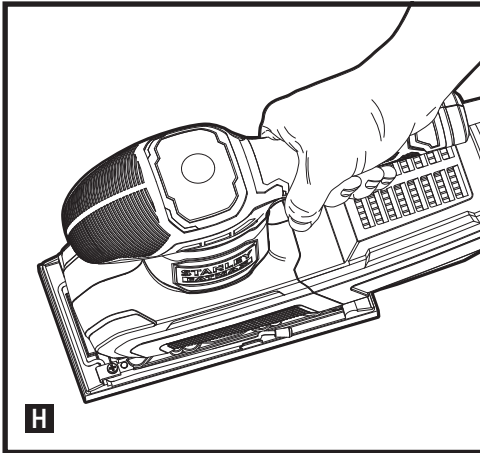
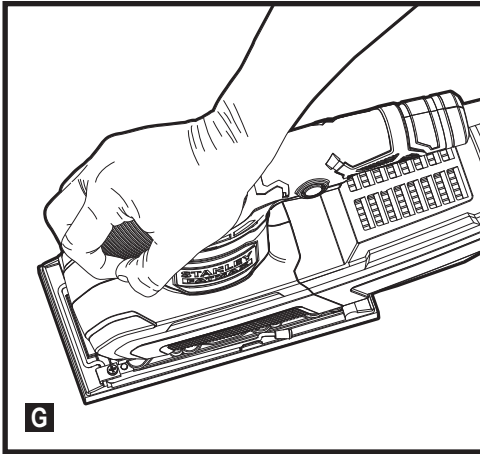
FATMAX®



www.stanley.eu

KFFMEW210
FMEW214





Intended use

Your FMEW214, KFFMEW210 Stanley Fat Max sanders have been designed for sanding wood, plastics and painted surfaces. These tools are intended for professional and private, non professional users.

Safety instructions

General power tool safety warnings



Warning! Read all safety warnings, instructions, illustrations and specifications provided with this power tool. Failure to follow the warnings and instructions listed below may result in electric shock, fire and/or serious injury.

Save all warnings and instructions for future reference.

The term "power tool" in all of the warnings listed below refers to your mains operated (corded) power tool or battery operated (cordless) power tool.

1. Work area safety

- a. **Keep work area clean and well lit.** Cluttered or dark areas invite accidents.
- b. **Do not operate power tools in explosive atmospheres, such as in the presence of flammable liquids, gases or dust.** Power tools create sparks which may ignite the dust or fumes.
- c. **Keep children and bystanders away while operating a power tool.** Distractions can cause you to lose control.

2. Electrical safety

- a. **Power tool plugs must match the outlet. Never modify the plug in any way. Do not use any adapter plugs with earthed (grounded) power tools.** Unmodified plugs and matching outlets will reduce risk of electric shock.
- b. **Avoid body contact with earthed or grounded surfaces such as pipes, radiators, ranges and refrigerators.** There is an increased risk of electric shock if your body is earthed or grounded.
- c. **Do not expose power tools to rain or wet conditions.** Water entering a power tool will increase the risk of electric shock.
- d. **Do not abuse the cord. Never use the cord for carrying, pulling or unplugging the power tool. Keep cord away from heat, oil, sharp edges or moving parts.** Damaged or entangled cords increase the risk of electric shock.
- e. **When operating a power tool outdoors, use an extension cord suitable for outdoor use.** Use of a cord suitable for outdoor use reduces the risk of electric shock.
- f. **If operating a power tool in a damp location is unavoidable, use a residual current device (RCD) protected supply.** Use of an RCD reduces the risk of electric shock.

3. Personal safety

- a. **Stay alert, watch what you are doing and use common sense when operating a power tool. Do not use a power tool while you are tired or under the influence of drugs, alcohol or medication.** A moment of inattention while operating power tools may result in serious personal injury.
- b. **Use personal protective equipment. Always wear eye protection.** Protective equipment such as dust mask, non-skid safety shoes, hard hat, or hearing protection used for appropriate conditions will reduce personal injuries.
- c. **Prevent unintentional starting. Ensure the switch is in the off-position before connecting to power source and/or battery pack, picking up or carrying the tool.** Carrying power tools with your finger on the switch or energising power tools that have the switch on invites accidents.
- d. **Remove any adjusting key or wrench before turning the power tool on.** A wrench or a key left attached to a rotating part of the power tool may result in personal injury.
- e. **Do not overreach. Keep proper footing and balance at all times.** This enables better control of the power tool in unexpected situations.
- f. **Dress properly. Do not wear loose clothing or jewellery. Keep your hair, clothing and gloves away from moving parts.** Loose clothes, jewellery or long hair can be caught in moving parts.
- g. **If devices are provided for the connection of dust extraction and collection facilities, ensure these are connected and properly used.** Use of dust collection can reduce dust-related hazards.
- h. **Do not let familiarity gained from frequent use of tools allow you to become complacent and ignore tool safety principles.** A careless action can cause severe injury within a fraction of a second.

4. Power tool use and care

- a. **Do not force the power tool. Use the correct power tool for your application.**
The correct power tool will do the job better and safer at the rate for which it was designed.
- b. **Do not use the power tool if the switch does not turn it on and off.** Any power tool that cannot be controlled with the switch is dangerous and must be repaired.
- c. **Disconnect the plug from the power source and/or the battery pack from the power tool before making any adjustments, changing accessories, or storing power tools.** Such preventive safety measures reduce the risk of starting the power tool accidentally.
- d. **Store idle power tools out of the reach of children and do not allow persons unfamiliar with the power tool or these instructions to operate the power tool.**

Power tools are dangerous in the hands of untrained users.

- e. **Maintain power tools and accessories. Check for misalignment or binding of moving parts, breakage of parts and any other condition that may affect the power tools operation. If damaged, have the power tool repaired before use.** Many accidents are caused by poorly maintained power tools.
 - f. **Keep cutting tools sharp and clean.** Properly maintained cutting tools with sharp cutting edges are less likely to bind and are easier to control.
 - g. **Use the power tool, accessories and tool bits etc. in accordance with these instructions, taking into account the working conditions and the work to be performed.** Use of the power tool for operations different from those intended could result in a hazardous situation.
 - h. **Keep handles and grasping surfaces dry, clean and free from oil and grease.**
Slippery handles and grasping surfaces do not allow for safe handling and control of the tool in unexpected situations.
- ### 5. Service
- a. **Have your power tool serviced by a qualified repair person using only identical replacement parts.**
This will ensure that the safety of the power tool is maintained.

Additional power tool safety warnings



Warning! Additional safety warnings for sanders

- ◆ **Hold the power tool by insulated gripping surfaces, because the sanding surface may contact its own cord.** Cutting a "live" wire may make exposed metal parts of the power tool "live" and could give the operator an electric shock.
- ◆ **Use clamps or another practical way to secure and support the workpiece to a stable platform.** Holding the work by hand or against your body leaves it unstable and may lead to loss of control.
- ◆ **Warning! Contact with or inhalation of dusts arising from sanding applications may endanger the health of the operator and possible bystanders.** Wear a dust mask specifically designed for protection against dust and fumes and ensure that persons within or entering the work area are also protected.
- ◆ **Thoroughly remove all dust after sanding.**
- ◆ **Take special care when sanding paint which is possibly lead based or when sanding some woods and metal which may produce toxic dust:**
 - ◆ Do not let children or pregnant women enter the

work area.

- ◆ Do not eat, drink or smoke in the work area.
- ◆ Dispose of dust particles and any other debris safely.
- ◆ The intended use is described in this instruction manual.

The use of any accessory or attachment or performance of any operation with this tool other than those recommended in this instruction manual may present a risk of personal injury and/or damage to property.

Safety of others

- ◆ This appliance is not intended for use by persons (including children) with reduced physical, sensory or mental capabilities, or lack of experience and knowledge, unless they have been given supervision or instruction concerning use of the appliance by a person responsible for their safety.
- ◆ Children should be supervised to ensure that they do not play with the appliance.

Residual risks.

Additional residual risks may arise when using the tool which may not be included in the enclosed safety warnings. These risks can arise from misuse, prolonged use etc.

Even with the application of the relevant safety regulations and the implementation of safety devices, certain residual risks can not be avoided. These include:

- ◆ Injuries caused by touching any rotating/moving parts.
- ◆ Injuries caused when changing any parts, blades or accessories.
- ◆ Injuries caused by prolonged use of a tool. When using any tool for prolonged periods ensure you take regular breaks.
- ◆ Impairment of hearing.
- ◆ Health hazards caused by breathing dust developed when using your tool (example:- working with wood, especially oak, beech and MDF.)

Vibration

The declared vibration emission values stated in the technical data and the declaration of conformity have been measured in accordance with a standard test method provided by EN62841 and may be used for comparing one tool with another. The declared vibration emission value may also be used in a preliminary assessment of exposure.

Warning! The vibration emission value during actual use of the power tool can differ from the declared value depending on the ways in which the tool is used. The vibration level may increase above the level stated.

When assessing vibration exposure to determine safety measures required by 2002/44/EC to protect persons regularly using power tools in employment, an estimation of vibration

exposure should consider, the actual conditions of use and the way the tool is used, including taking account of all parts of the operating cycle such as the times when the tool is switched off and when it is running idle in addition to the trigger time.

Labels on tool

The following symbols are shown on the tool, along with the date code:



Warning! To reduce the risk of injury, the user must read the instruction manual.

Electrical safety

This tool is double insulated; therefore no earth wire is required. Always check that the power supply corresponds to the voltage on the rating plate.

- ◆ If the replacement of the supply cord is necessary, this has to be done by the manufacturer or authorised Stanley FatMax Service Centre in order to avoid a safety hazard.

Features

This tool includes some or all of the following features.

1. On/off switch
2. Lock on button
3. Sanding base
4. Paper clamp lever
5. Variable speed control knob
6. Dust cannister

Assembly

Warning! Before assembly, make sure that the tool is switched off and unplugged.

Fitting sanding sheets (fig. A, B, C, D)

Warning! Never use the tool without a sanding sheet or accessory in place.

Fitting sanding sheets with nylon loops (fig. A)

- ◆ Make sure that the tool is switched off and unplugged.
- ◆ Press the sheet firmly and evenly onto the sanding base (3).

Fitting regular sanding sheets (fig. B, C, D)

- ◆ Make sure that the tool is switched off and unplugged.
- ◆ Soften the sanding sheet by rubbing its non-abrasive side over the edge of a worktop.
- ◆ Press the paper clamp levers (4) upwards to release them from the retaining grooves and open the paper clamps by pressing them down (fig. B).
- ◆ Place the sheet onto the sanding base (3) (fig. C).
- ◆ Insert the edge of the sanding sheet into the front paper clamp as shown (fig. D).

- ◆ Press the front paper clamp lever (4) downwards and locate it in the retaining groove.
- ◆ While keeping a slight tension on the sheet, insert the rear edge of the sheet into the rear paper clamp.
- ◆ Press the rear paper clamp lever (4) downwards and locate it in the retaining groove.

Fitting and removing the dust cannister (fig. E)

- ◆ Fit the dust cannister (6) over the dust extraction outlet (7).
- ◆ Slide the dust cannister onto the tool and make sure that it is securely located.
- ◆ To remove the dust cannister, pull it to the rear and off the outlet.

Use

Warning! Let the tool work at its own pace. Do not overload.

Warning! Do not cover the ventilation slots when using the tool. Make sure that the sanding base is flat on the workpiece.

Variable speed control

The variable speed control allows you to adapt the speed of the tool to the workpiece material.

- ◆ Set the control knob (5) to the desired setting. Use a high speed for wood, medium speed for veneer and synthetics and low speed for acrylic glass and for removing paints

Switching on and off (fig. F)

- ◆ To switch the tool on, press the on/off switch (1).
- ◆ For continuous operation, press the lock-on button (2) and release the on/off switch.
- ◆ To switch the tool off, release the on/off switch. To switch the tool off when in continuous operation, press the on/off switch once more and release it.

Emptying the dust cannister

The dust cannister (2) should be emptied after every ten minutes of use.

- ◆ Pull the dust cannister (6) to the rear and off the tool away from the connection port.
- ◆ Empty into a suitable receptacle and replace on tool.

Hints for optimum use

- ◆ For user comfort, the tool can be operated with one or two hands (fig. G, H, I). Do not place your hands over the ventilation slots.
- ◆ Do not exert too much pressure on the tool.
- ◆ Regularly check the condition of the sanding sheet. Replace when necessary.
- ◆ Always sand with the grain of the wood.
- ◆ When sanding new layers of paint before applying another layer, use extra fine grit.

- ◆ On very uneven surfaces, or when removing layers of paint, start with a coarse grit. On other surfaces, start with a medium grit. In both cases, gradually change to a fine grit for a smooth finish.
- ◆ Consult your retailer for more information on available accessories.

Maintenance

Your Stanley Fat Max tool has been designed to operate over a long period of time with a minimum of maintenance. Continuous satisfactory operation depends upon proper tool care and regular cleaning.

Warning! Before performing any maintenance on the tool, remove unplug the charger before cleaning it.

- ◆ Regularly clean the ventilation slots in your tool using a soft brush or dry cloth.
- ◆ Regularly clean the motor housing using a damp cloth. Do not use any abrasive or solvent-based cleaner.

Mains plug replacement (U.K. & Ireland only)

If a new mains plug needs to be fitted:

- ◆ Safely dispose of the old plug.
- ◆ Connect the brown lead to the live terminal in the new plug.
- ◆ Connect the blue lead to the neutral terminal.

Warning! No connection is to be made to the earth terminal. Follow the fitting instructions supplied with good quality plugs. Recommended fuse: 5 A.

Protecting the environment



Separate collection. Products and batteries marked with this symbol must not be disposed of with normal household waste.

Products and batteries contain materials that can be recovered or recycled reducing the demand for raw materials. Please recycle electrical products and batteries according to local provisions. Further information is available at www.2helpU.com

Technical data

		KFFMEW210	FMEW214
Input voltage	V _{AC}	230	230
Power input	W	280	280
Oscillations (no load)	min ⁻¹	24000	24000
Orbits (no load)	min ⁻¹	12000	12000
Sanding base surface	mm	187 x 90	187 x 90
Weight	kg	2.0	2.0

Level of sound pressure according to EN 62841:

KFFMEW210 Sound pressure (L_{pa}) 85 dB(A), uncertainty (K) 3 dB(A)
 FMEW214 Sound pressure (L_{pa}) 85 dB(A), uncertainty (K) 3 dB(A)

Level of sound pressure according to EN 62841:

KFFMEW210 Sound power (L_{WA}) 96 dB(A), uncertainty (K) 3 dB(A)
 FMEW214 Sound power (L_{WA}) 96 dB(A), uncertainty (K) 3 dB(A)

Vibration total values (triax vector sum) according to EN 62841:

KFFMEW210 (a) 6 m/s², uncertainty (K) 1.5 m/s²
 FMEW214 (a) 6 m/s², uncertainty (K) 1.5 m/s²

EC declaration of conformity
 MACHINERY DIRECTIVE



KFFMEW210, FMEW214 Sander

Stanley Europe declares that these products described under "technical data" are in compliance with:
 2006/42/EC, EN62841-1:2015, EN62841-2-4:2014.

These products also comply with Directive 2014/30/EU and 2011/65/EU. For more information, please contact Stanley Europe at the following address or refer to the back of the manual.

The undersigned is responsible for compilation of the technical file and makes this declaration on behalf of Stanley FatMax.

R. Laverick
 Director of Engineering
 Stanley Europe, Egide Walschaertsstraat14-18,
 2800 Mechelen, Belgium
 28/08/2018

Garantie

Stanley Fat Max is confident of the quality of its products and offers consumers a 12 month guarantee from the date of purchase. This guarantee is in addition to and in no way prejudices your statutory rights. The guarantee is valid within the territories of the Member States of the European Union and the European Free Trade Area.

To claim on the guarantee, the claim must be in accordance with Stanley Fat Max Terms and Conditions and you will need to submit proof of purchase to the seller or an authorised repair agent. Terms and conditions of the Stanley Fat Max 1 year guarantee and the location of your nearest authorised repair agent can be obtained on the Internet at www.2helpU.com, or by contacting your local Stanley Fat Max office at the address indicated in this manual.

Please visit our website www.stanley.eu/3 to register your new Stanley Fat Max product and receive updates on new products and special offers.

(Übersetzung der ursprünglichen Anweisungen)

Verwendungszweck

Ihr FMEW214, KFFMEW210 Stanley Fat Max-Schleifgerät wurde zum Schleifen von Holz, Kunststoff und lackierten Oberflächen entwickelt. Diese Werkzeuge sind zum gewerblichen und privaten Einsatz vorgesehen, keine professionelle Anwender.

Sicherheitshinweise

Allgemeine Sicherheitswarnungen für das Gerät



Warnung! Beachten Sie alle Sicherheitshinweise, Anweisungen, Darstellungen und Daten, die Sie mit dem Gerät erhalten. Die Nichteinhaltung der folgenden Warnungen und Anweisungen kann einen elektrischen Schlag, Brand und/oder schwere Verletzungen verursachen.

Bewahren Sie alle Warnhinweise und alle Anweisungen gut auf. Der nachfolgend verwendete Begriff "Gerät" bezieht sich auf netzbetriebene Geräte (mit Netzkabel) und auf akkubetriebene Geräte (ohne Netzkabel).

1. Sicherheit im Arbeitsbereich

- a. **Halten Sie Ihren Arbeitsbereich sauber und gut ausgeleuchtet.** Unaufgeräumte oder dunkle Bereiche begünstigen Unfälle.
- b. **Betreiben Sie das Gerät nicht in Umgebungen, in denen Explosionsgefahr z. B. aufgrund von brennbaren Flüssigkeiten, Gasen oder Staub besteht.** Geräte erzeugen Funken, die den Staub oder die Dämpfe entzünden können.
- c. **Halten Sie Kinder und andere Personen während der Benutzung eines Geräts fern.** Bei Ablenkung können Sie die Kontrolle verlieren.

2. Elektrische Sicherheit

- a. **Der Netzstecker des Geräts muss in die Steckdose passen. Ändern Sie niemals den Stecker in irgendeiner Form. Verwenden Sie keinerlei Adapterstecker an geerdeten Elektrogeräten.** Unveränderte Stecker und passende Steckdosen mindern die Gefahr eines elektrischen Schlages.
- b. **Vermeiden Sie Körperkontakt mit geerdeten Oberflächen von Rohren, Heizungen, Herden und Kühlschränken.** Es besteht eine erhöhte Gefahr für einen elektrischen Schlag, wenn Ihr Körper geerdet ist.

- c. **Halten Sie Geräte von Regen und Nässe fern.** Das Eindringen von Wasser in ein Gerät erhöht das Risiko eines elektrischen Schlags.
- d. **Verwenden Sie das Kabel ordnungsgemäß.** Verwenden Sie es niemals zum Tragen. Trennen Sie das Gerät nicht durch Ziehen am Kabel vom Netz. Halten Sie das Kabel fern von Hitze, Öl, scharfen Kanten oder beweglichen Teilen. Beschädigte oder verhedderte Kabel erhöhen die Gefahr eines elektrischen Schlags.
- e. **Verwenden Sie nur für den Außenbereich zugelassene Verlängerungskabel, wenn Sie mit dem Gerät im Freien arbeiten.** Die Verwendung eines für den Außenbereich geeigneten Verlängerungskabels verringert das Risiko eines elektrischen Schlags.
- f. **Wenn das Gerät in einer feuchten Umgebung verwendet werden muss, schließen Sie es unbedingt an eine Steckdose mit Fehlerstromschutzschalter (FI-Schalter) an.** Ein Fehlerstromschutzschalter verringert das Risiko eines elektrischen Schlags.
3. **Sicherheit von Personen**
- a. **Seien Sie aufmerksam, achten Sie darauf, was Sie tun, und gehen Sie sachgerecht mit einem Gerät um. Benutzen Sie kein Gerät, wenn Sie müde sind oder unter dem Einfluss von Drogen, Alkohol oder Medikamenten stehen.** Ein Moment der Unachtsamkeit beim Betrieb eines Geräts kann zu schweren Verletzungen führen.
- b. **Verwenden Sie eine geeignete Schutzausrüstung. Tragen Sie immer einen Augenschutz.** Das Tragen persönlicher Schutzausrüstung, wie Staubmaske, rutschfeste Sicherheitsschuhe, Schutzhelm oder Gehörschutz, je nach Art und Einsatz des Geräts, verringert das Risiko von Verletzungen.
- c. **Vermeiden Sie eine unbeabsichtigte Inbetriebnahme. Vergewissern Sie sich, dass das Gerät ausgeschaltet ist, bevor Sie es an eine Steckdose oder einen Akku anschließen, es hochheben oder tragen.** Wenn Sie beim Tragen des Geräts den Finger am Schalter haben oder das Gerät eingeschaltet an die Stromversorgung anschließen, kann dies zu Unfällen führen.
- d. **Entfernen Sie Einstell- oder Schraubenschlüssel, bevor Sie das Gerät einschalten.** Werkzeuge oder Schlüssel, die an rotierenden Teilen des Elektrogerätes angebracht sind, können zu Verletzungen führen.
- e. **Beugen Sie sich nicht zu weit nach vorne. Sorgen Sie für einen sicheren Stand und halten Sie jederzeit das Gleichgewicht.** Dadurch können Sie das Gerät in unerwarteten Situationen besser kontrollieren.
- f. **Tragen Sie geeignete Kleidung. Tragen Sie keine weite Kleidung und keinen Schmuck.**
- Halten Sie Ihre Haare, Kleidung und Handschuhe von beweglichen Teilen fern.** Lose sitzende Kleidung, Schmuck oder lange Haare können sich in den beweglichen Teilen verfangen.
- g. **Falls Vorrichtungen zum Absaugen oder Auffangen von Staub vorhanden sind, vergewissern Sie sich, dass diese angeschlossen sind und richtig verwendet werden.** Das Verwenden einer Staubauffangvorrichtung verringert Gefährdungen durch Staub.
- h. **Vermeiden Sie, durch die häufige Nutzung des Werkzeugs in einen Trott zu verfallen und Prinzipien für die Werkzeugsicherheit zu ignorieren.** Eine unachtsame Aktion kann im Bruchteil einer Sekunde zu schweren Verletzungen führen.
4. **Gebrauch und Pflege von Geräten**
- a. **Überlasten Sie das Gerät nicht. Verwenden Sie das für Ihre Arbeit passende Gerät.** Das richtige Gerät wird die Aufgabe besser und sicherer erledigen, wenn es bestimmungsgemäß verwendet wird.
- b. **Verwenden Sie das Gerät nicht, wenn der Ein-/Ausschalter nicht funktioniert.** Ein Gerät, das sich nicht mehr ein- oder ausschalten lässt, ist gefährlich und muss repariert werden.
- c. **Ziehen Sie den Stecker aus der Steckdose, oder trennen Sie das Gerät vom Akku, bevor Sie Einstellungen vornehmen, Zubehörteile wechseln oder das Gerät lagern.** Diese Vorbeugemaßnahmen mindern die Gefahr, dass das Elektrogerät unbeabsichtigt startet.
- d. **Bewahren Sie unbenutzte Geräte außerhalb der Reichweite von Kindern auf. Lassen Sie Geräte nicht von Personen benutzen, die damit nicht vertraut sind oder diese Anweisungen nicht gelesen haben.** Geräte sind in den Händen nicht geschulter Personen gefährlich.
- e. **Halten Sie das Gerät und sein Zubehör in einem einwandfreien Zustand. Kontrollieren Sie, ob bewegliche Teile falsch ausgerichtet sind oder klemmen und ob Teile gebrochen oder so beschädigt sind, dass die Funktion des Geräts beeinträchtigt ist. Bei Beschädigungen lassen Sie das Gerät reparieren, bevor Sie es verwenden.** Viele Unfälle entstehen wegen mangelnder Wartung der Geräte.
- f. **Halten Sie Schneidgeräte scharf und sauber.** Richtig gewartete Schneidwerkzeuge mit scharfen Klingen blockieren seltener und sind leichter unter Kontrolle zu halten.
- g. **Verwenden Sie Gerät, Zubehör, Einsatz-Bits usw. entsprechend diesen Anweisungen und berücksichtigen Sie dabei die Arbeitsbedingungen und die auszuführende Arbeit.**

Der Gebrauch von Geräten für andere als die vorgesehenen Zwecke kann zu gefährlichen Situationen führen.

h. Halten Sie die Griffe trocken, sauber und frei von Öl und Fett.

Rutschige Griffe und Oberflächen unterbinden die sichere Bedienbarkeit und Kontrolle über das Werkzeug in unerwarteten Situationen.

5. Service

a. Lassen Sie Ihr Elektrowerkzeug nur von qualifiziertem Fachpersonal und nur mit Original-Ersatzteilen reparieren.

Damit wird sichergestellt, dass die Sicherheit des Geräts erhalten bleibt.

Zusätzliche Sicherheitswarnungen für das Gerät



Warnung! Zusätzliche Sicherheitswarnungen für Schleifgeräte

- ◆ **Halten Sie das Elektrowerkzeug an den isolierten Griffflächen, da die Schleifplatte die eigene Anschlussleitung berühren könnte.** Der Kontakt mit stromführenden Leitungen kann auch offen liegende Metallteile am Gerät unter Strom setzen und zu einem Stromschlag führen.
- ◆ **Sichern Sie das Werkstück zum Beispiel mit Einspannvorrichtungen auf einer stabilen Plattform.** Das Werkstück ist instabil, wenn es mit der Hand oder dem Körper abgestützt wird, was zum Verlust der Kontrolle führen kann.
- ◆ **Warnung! Die beim Schleifen von bestimmten Materialien entstehenden Stäube können bei Berührung oder Einatmen die Gesundheit schädigen.** Tragen Sie eine speziell für den Schutz vor Staub und Dämpfen vorgesehene Staubmaske, und stellen Sie sicher, dass auch andere Personen entsprechend geschützt sind, die den Arbeitsplatz betreten oder sich dort aufhalten.
- ◆ **Entfernen Sie nach dem Schleifen sorgfältig alle Staubreste.**
- ◆ **Treffen Sie beim Schleifen von möglicherweise bleihaltiger Farbe oder von bestimmten Holz- und Metallarten, die giftigen Staub bilden können, besondere Maßnahmen:**
 - ◆ Halten Sie Kinder oder Schwangere vom Arbeitsplatz fern.
 - ◆ Essen, trinken und rauchen Sie nicht am Arbeitsplatz.
 - ◆ Entsorgen Sie Staubteilchen und andere Schleifabfälle sachgerecht.
- ◆ **Die bestimmungsgemäße Verwendung ist in dieser Betriebsanleitung beschrieben.**

Die Verwendung von Zubehör- oder Anbauteilen, die nicht in dieser Anleitung empfohlen werden, sowie die Bedienung des Geräts in Abweichung von den in dieser Anleitung beschriebenen Verfahren können zu Verletzungen und/oder Sachschäden führen.

Sicherheit anderer Personen

- ◆ Dieses Gerät darf nicht von Personen (einschließlich Kindern) mit eingeschränkten physischen, sensorischen oder mentalen Fähigkeiten oder ohne ausreichende Erfahrung oder Kenntnisse verwendet werden, außer wenn diese Personen von einer Person, die für ihre Sicherheit verantwortlich ist, bei der Verwendung des Geräts beaufsichtigt oder mit ihm vertraut gemacht werden.
- ◆ Kinder müssen beaufsichtigt werden, um sicherzustellen, dass sie nicht mit dem Gerät spielen.

Restrisiken.

Beim Gebrauch dieses Geräts verbleiben zusätzliche Restrisiken, die möglicherweise nicht in den Sicherheitswarnungen genannt werden. Diese Risiken bestehen beispielsweise bei Missbrauch oder längerem Gebrauch.

Auch bei der Einhaltung der entsprechenden Sicherheitsvorschriften und der Verwendung aller Sicherheitsgeräte bestehen weiterhin bestimmte Restrisiken. Diese sind:

- ◆ Verletzungen, die durch das Berühren von sich drehenden/bewegenden Teilen verursacht werden.
- ◆ Verletzungen, die durch das Austauschen von Teilen, Messern oder Zubehör verursacht werden.
- ◆ Verletzungen, die durch längeren Gebrauch eines Geräts verursacht werden. Legen Sie bei längerem Gebrauch regelmäßige Pausen ein.
- ◆ Beeinträchtigung des Gehörs.
- ◆ Gesundheitsrisiken durch das Einatmen von Staub beim Verwenden des Geräts (beispielsweise bei Holzarbeiten, insbesondere Eiche, Buche und MDF.)

Vibration

Die in den Abschnitten „Technische Daten“ und „EU-Konformitätserklärung“ angegebenen Werte für die Vibrationsemission wurden mit einer Standard-Prüfmethode nach EN62841 ermittelt und können zum Vergleich verschiedener Geräte herangezogen werden. Außerdem kann mit Hilfe dieses Werts die Belastung bei Verwendung des Geräts schon im Voraus eingeschätzt werden.

Warnung! Die bei Verwendung des Geräts auftretende Vibrationsemission hängt von der Art des Gerätegebrauchs ab und kann dementsprechend von dem angegebenen Wert abweichen. Gegebenenfalls kann die Vibration über dem angegebenen Wert liegen.

Für die Ermittlung der Vibrationsbelastung müssen die tatsächlichen Einsatzbedingungen und Verwendungen des Geräts während des gesamten Arbeitsgangs berücksichtigt werden, einschließlich der Zeiten, wenn das Gerät nicht verwendet oder im Leerlauf betrieben wird. Diese Werte werden benötigt, um die gemäß 2002/44/EG erforderlichen Sicherheitsmaßnahmen zum Schutz von Personen festlegen zu können.

Etiketten am Werkzeug

Am Gerät sind die folgenden Warnsymbole inkl. Datumcode angebracht:



Warnung! Lesen Sie vor Gebrauch die Anleitung. Andernfalls besteht Verletzungsgefahr.

Elektrische Sicherheit



Dieses Gerät ist schutzisoliert, daher ist keine Erdleitung erforderlich. Überprüfen Sie immer, dass die Stromversorgung der Spannung auf dem Typenschild entspricht.

- ◆ Wenn ein Austausch des Netzkabels erforderlich ist, muss das vom Hersteller oder autorisierten Stanley Fat Max-Kundendienstzentrum erfolgen, um die Sicherheit nicht zu gefährden.

Merkmale

Dieses Gerät verfügt über einige oder alle der folgenden Merkmale:

1. Ein-/Aus-Schalter
2. Sicherungsknopf
3. Schleifplatte
4. Papierspannhebel
5. Geschwindigkeitsregler
6. Staubbehälter

Montage

Warnung! Vergewissern Sie sich vor der Montage, dass das Gerät ausgeschaltet ist und der Netzstecker gezogen wurde.

Anbringen der Schleifblätter (Abb. A, B, C, D)

Warnung! Verwenden Sie das Gerät niemals ohne angebrachtes Schleifblatt oder Zubehör.

Anbringen der Schleifblätter mit Nylonschlaufen (Abb. A)

- ◆ Vergewissern Sie sich, dass das Gerät ausgeschaltet ist und dass der Netzstecker gezogen wurde.
- ◆ Drücken Sie das Blatt fest und gleichmäßig auf die Schleifplatte (3).

Anbringen der Standardschleifblätter (Abb. B, C, D)

- ◆ Vergewissern Sie sich, dass das Gerät ausgeschaltet ist und dass der Netzstecker gezogen wurde.
- ◆ Machen Sie das Schleifblatt geschmeidig, indem Sie es mit der korlosen Seite mehrmals über die Kante einer Arbeitsplatte ziehen.
- ◆ Drücken Sie die Papierspannhebel (4) nach oben, um sie aus den Haltekerben zu lösen, und öffnen Sie die Papierklappen, indem Sie sie nach unten drücken (Abb. B).
- ◆ Legen Sie das Blatt auf die Schleifplatte (3) (Abb. C).
- ◆ Führen Sie das Ende des Schleifblattes wie abgebildet in die vordere Papierklappe ein (Abb. D).
- ◆ Drücken Sie den vorderen Papierspannhebel (4) nach unten in die Haltekerbe.
- ◆ Spannen Sie das hintere Ende des Schleifblattes mit leichtem Zug in die hintere Papierklappe.
- ◆ Drücken Sie den hinteren Papierspannhebel (4) nach unten in die Haltekerbe.

Anbringen und Entfernen des Staubbehälters (Abb. E)

- ◆ Bringen Sie den Staubbehälter (6) über der Staubabsaugöffnung (7) an.
- ◆ Schieben Sie den Staubbehälter auf das Werkzeug und prüfen Sie, ob er sicher befestigt ist.
- ◆ Ziehen Sie den Staubbehälter zum Entfernen von der Öffnung nach hinten ab.

Verwendung

Warnung! Beschleunigen Sie den Arbeitsvorgang nicht mit Gewalt. Vermeiden Sie eine Überlastung.

Warnung! Bedecken Sie bei der Verwendung des Geräts nicht die Lüftungsslitze. Stellen Sie sicher, dass die Schleifplatte flach auf dem Werkstück liegt.

Geschwindigkeitsregler

Mit dem Geschwindigkeitsregler können Sie die Bandaufgeschwindigkeit dem Material des Werkstücks anpassen.

- ◆ Stellen Sie den Regler (5) auf die gewünschte Einstellung. Wählen Sie eine hohe Geschwindigkeit für Holz, eine mittlere Geschwindigkeit für Furnier und Kunststoff und eine niedrige Geschwindigkeit für Acrylglas, Buntmetall und zum Entfernen von Farbe.

Ein- und Ausschalten (Abb. F)

- ◆ Drücken Sie zum Einschalten des Geräts den Ein-/Ausschalter (1).
- ◆ Für das Arbeiten im Dauerbetrieb drücken Sie den Feststellknopf (2) und lassen den Ein-/Ausschalter los.
- ◆ Lassen Sie zum Ausschalten des Geräts den Ein-/Ausschalter los.

Wenn sich das Gerät im Dauerbetrieb befindet, müssen Sie zum Ausschalten den Ein-/Ausschalter zweimal drücken.

Leeren des Staubbehälters

Der Staubbehälter (2) muss während des Betriebs alle zehn Minuten entleert werden.

- ◆ Ziehen Sie den Staubbehälter (6) nach hinten und vom Anschluss weg vom Gerät ab.
- ◆ Entleeren Sie ihn in einen geeigneten Abfallbehälter und bringen Sie ihn wieder am Gerät an.

Hinweise für optimale Arbeitsergebnisse

- ◆ Das Gerät kann je nach Vorliebe des Bedieners ein- oder beidhändig bedient werden (Abb. G, H, I). Legen Sie die Hände nicht auf die Lüftungsschlitze.
- ◆ Üben Sie keinen zu großen Druck auf das Gerät aus.
- ◆ Überprüfen Sie regelmäßig den Zustand des Schleifblatts. Tauschen Sie dieses bei Bedarf aus.
- ◆ Schleifen Sie immer in Richtung der Holzmaserung.
- ◆ Zum Schleifen frischer Farbschichten vor dem Auftragen weiterer Schichten verwenden Sie sehr feines Schleifpapier.
- ◆ Auf sehr unebenen Oberflächen sowie zum Entfernen alter Farbschichten verwenden Sie zunächst grobes Schleifpapier. Auf anderen Oberflächen verwenden Sie zunächst mittelgrobes Schleifpapier. Wechseln Sie in beiden Fällen nach einiger Zeit zu feinem Schleifpapier, damit Sie eine glatte Oberfläche erhalten.
- ◆ Weitere Informationen über Zubehör erhalten Sie bei Ihrem Händler.

Wartung

Ihr Stanley Fat Max Gerät wurde im Hinblick auf eine lange Lebensdauer und einen möglichst geringen Wartungsaufwand entwickelt. Ein kontinuierlicher, zufriedenstellender Betrieb hängt von der richtigen Pflege des Gerätes und seiner regelmäßigen Reinigung ab.

Warnung! Ziehen Sie vor jeglichen Wartungsarbeiten am Gerät den Netzstecker des Ladegeräts aus der Steckdose.

- ◆ Reinigen Sie regelmäßig die Lüftungsschlitze des Gerätes mit Hilfe einer weichen Bürste oder eines trockenen Tuchs.
- ◆ Reinigen Sie das Motorgehäuse regelmäßig mit einem feuchten Tuch. Verwenden Sie keine scheuernden Reinigungsmittel oder Reinigungsmittel auf Lösungsmittelbasis.

Austauschen des Netzsteckers (nur Großbritannien und Irland)

Wenn ein neuer Netzstecker angebracht werden muss:

- ◆ Entsorgen Sie den alten Stecker auf sachgerechte Weise.

- ◆ Verbinden Sie die braune Leitung mit dem spannungsführenden Anschluss des Steckers.
- ◆ Verbinden Sie die blaue Leitung mit dem neutralen Anschluss.

Warnung! Stellen Sie keine Verbindung mit dem Erdungsanschluss her.

Befolgen Sie die Montageanweisungen, die mit hochwertigen Steckern mitgeliefert werden.

Empfohlene Sicherung: 5 A.

Umweltschutz



Getrennte Entsorgung. Produkte und Akkus mit diesem Symbol dürfen nicht mit dem normalen Hausmüll entsorgt werden.

Produkte und Akkus enthalten Materialien, die wiederverwertet werden können, um den Bedarf an Rohstoffen zu verringern.

Bitte recyceln Sie elektrische Produkte und Akkus gemäß den örtlichen Bestimmungen. Weitere Informationen finden Sie auf www.2helpU.com

Technische Daten

		KFFMEW210	FMEW214
Eingangsspannung	V_{AC}	230	230
Leistungsaufnahme	W	280	280
Schwingungen (lastfrei)	min^{-1}	24000	24000
Umläufe (lastfrei)	min^{-1}	12000	12000
Bandabmessungen	mm	187 x 90	187 x 90
Gewicht	kg	2.0	2.0

Schalldruckpegel gemäß EN 62841:

KFFMEW210 Schalldruck (L_{pA}) 85 dB(A), Unsicherheitsfaktor (K) 3 dB(A)
FMEW214 Schalldruck (L_{pA}) 85 dB(A), Unsicherheitsfaktor (K) 3 dB(A)

KFFMEW210 Schalleistung (L_{WA}) 96 dB(A), Unsicherheitsfaktor (K) 3 dB(A)
FMEW214 Schalleistung (L_{WA}) 96 dB(A), Unsicherheitsfaktor (K) 3 dB(A)

Gesamtvibration (Triax-Vektorsumme) gemäß EN 62841:

KFFMEW210 (a) 6 m/s², Unsicherheitsfaktor (K) 1,5 m/s²

FMEW214 (a) 6 m/s², Unsicherheitsfaktor (K) 1,5 m/s²

EU-Konformitätserklärung MASCHINENRICHTLINIE



KFFMEW210, FMEW214 Schleifgerät

Stanley Europe erklärt, dass diese unter "Technische Daten" beschriebenen Geräte übereinstimmen mit:

2006/42/EC, EN62841-1:2015, EN62841-2-4:2014.

DEUTSCH

(Übersetzung der ursprünglichen Anweisungen)

Diese Produkte entsprechen außerdem den Richtlinien 2014/30/EU und 2011/65/EU. Weitere Informationen erhalten Sie von Stanley Europe unter der folgenden Adresse. Diese befindet sich auch auf der Rückseite dieser Anleitung.

Der Unterzeichnete ist verantwortlich für die Zusammenstellung des technischen Dokuments und gibt diese Erklärung im Namen von Stanley FatMax.



R. Laverick
Director of Engineering
Stanley Europe, Egide Walschaertsstraat 14-18,
2800 Mechelen, Belgien
28/08/2018

Garantie

Stanley FatMax vertraut auf die Qualität der eigenen Geräte und bietet dem Käufer eine außergewöhnliche Garantie von 12 Monaten ab Kaufdatum. Diese Garantie versteht sich unbeschadet der gesetzlichen Gewährleistungsansprüche und schränkt diese keinesfalls ein. Diese Garantie gilt innerhalb der Staatsgebiete der Mitgliedstaaten der Europäischen Union und der Europäischen Freihandelszone.

Zur Inanspruchnahme dieser Garantie muss sie den allgemeinen Geschäftsbedingungen von Stanley FatMax entsprechen und dem Verkäufer bzw. der Vertragswerkstatt ist ein Kaufnachweis vorzulegen. Die Bedingungen für die 1-jährige Garantie von Stanley FatMax und den Standort Ihrer nächstgelegenen Vertragswerkstatt finden Sie im Internet unter www.2helpU.com oder indem Sie sich an die lokale Stanley FatMax-Niederlassung wenden, deren Adresse Sie in dieser Anleitung finden.

Ihr neues Stanley FatMax-Produkt können Sie auf unserer Website unter www.stanley.eu/3 registrieren. Dort erhalten Sie auch Informationen über neue Produkte und Sonderangebote.

FRANÇAIS

(Traduction des instructions initiales)

Utilisation prévue

Vos ponceuses Stanley Fat Max FMEW214, KFFMEW210 ont été spécialement conçues pour poncer le bois, le plastique et les surfaces peintes. Ces outils ont été conçus pour les professionnels et les particuliers.

Consignes de sécurité

Avertissements de sécurité générale liés aux outils électriques



Avertissement ! Veuillez lire tous les avertissements de sécurité, toutes les instructions, les illustrations et les spécifications fournies avec cet outil électrique.

(Traduction des instructions initiales)

FRANÇAIS

Le non-respect des avertissements et des instructions listés ci-dessous peut entraîner des chocs électriques, des incendies et/ou de graves blessures.

Conservez tous les avertissements et toutes les instructions afin de pouvoir vous y référer dans le futur. Le terme "outil électrique" mentionné dans tous les avertissements listés ci-dessous fait référence à vos outils électriques branchés sur secteur (avec câble) ou fonctionnant sur pile ou batterie (sans fil).

1. Sécurité de la zone de travail

a. Maintenez la zone de travail propre et bien éclairée.

Les zones sombres ou encombrées sont propices aux accidents.

b. N'utilisez pas d'outils électriques dans un environnement présentant des risques d'explosion ou en présence de liquides, gaz ou poussières inflammables.

Les outils électriques créent des étincelles qui peuvent enflammer les poussières et les fumées.

c. Maintenez les enfants et les autres personnes éloignés lorsqu'un outil électrique est en marche.

Toute distraction peut vous faire perdre le contrôle de l'outil.

2. Sécurité électrique

a. Les prises des outils électriques doivent correspondre à la prise de courant murale. Ne modifiez jamais la prise d'aucune sorte. N'utilisez aucun adaptateur avec des outils électriques reliés à la terre.

L'utilisation de prises d'origine et de prises murales appropriées permet de réduire le risque de choc électrique.

b. Évitez tout contact physique avec des surfaces reliées à la terre comme des tuyaux, des radiateurs, des fours et des réfrigérateurs par exemple. Il y a sinon un risque accru de choc électrique si votre corps est lui-même relié à la terre.

c. N'exposez pas les outils électriques à la pluie, ni à l'humidité. Le risque de choc électrique augmente si de l'eau pénètre dans un outil électrique.

d. Ne tirez pas sur le cordon d'alimentation. N'utilisez jamais le cordon pour transporter, tirer ou débrancher l'outil électrique. Maintenez le cordon éloigné de la chaleur, de substances grasses, de bords tranchants ou de pièces mobiles. Les cordons endommagés ou emmêlés augmentent le risque de choc électrique.

e. Si vous utilisez un outil électrique à l'extérieur, utilisez une rallonge homologuée pour les travaux extérieurs. L'utilisation d'une rallonge électrique homologuée pour les travaux en extérieur réduit le risque de choc électrique.

- f. Si l'utilisation d'un outil électrique dans un endroit humide est inévitable, utilisez une alimentation électrique protégée par un disjoncteur différentiel à courant résiduel (DDR). L'utilisation d'un disjoncteur différentiel réduit le risque de choc électrique.
3. **Sécurité des personnes**
- a. **Restez vigilant, surveillez ce que vous faites et faites preuve de bon sens lorsque vous utilisez un outil électrique. N'utilisez pas d'outils électriques si vous êtes fatigué ou sous l'influence de drogue, d'alcool ou de médicaments.** Tout moment d'inattention pendant l'utilisation d'un outil électrique peut engendrer de graves blessures.
- b. **Portez des équipements de protection individuelle. Portez toujours une protection oculaire.** Les équipements de protection comme les masques à poussière, les chaussures de sécurité antidérapantes, les casques ou les protections auditives, utilisés à bon escient, réduisent le risque de blessures.
- c. **Empêchez tout démarrage intempestif. Assurez-vous que l'interrupteur est en position Arrêt avant de raccorder l'outil à l'alimentation électrique et/ou au bloc-batterie ou avant de ramasser ou de transporter l'outil.** Le fait de transporter les outils électriques le doigt sur l'interrupteur ou d'alimenter les outils électriques dont l'interrupteur est déjà en position de marche augmente le risque d'accidents.
- d. **Retirez toutes les clés ou pinces de réglage avant de mettre l'outil en marche.** Une clé ou une pince restée fixée sur une pièce rotative de l'outil électrique peut engendrer des blessures.
- e. **Ne vous penchez pas. Gardez les pieds bien ancrés au sol et conservez votre équilibre en permanence.** Cela permet de mieux maîtriser l'outil électrique en cas de situations imprévues.
- f. **Portez des vêtements appropriés. Ne portez aucun vêtement ample ou bijou. Gardez vos cheveux, vos vêtements et vos gants éloignés des pièces mobiles.** Les vêtements amples, les bijoux ou les cheveux longs peuvent être happés par les pièces mobiles.
- g. **Si des dispositifs pour le raccordement d'un extracteur de poussières ou des installations pour la récupération sont présents, assurez-vous qu'ils sont correctement raccordés et utilisés.** L'utilisation de dispositifs récupérateurs de poussières réduit les risques liés aux poussières.
- h. **Ne pensez pas être familiarisé avec l'outil après l'avoir utilisé à de nombreuses reprises, au point de ne plus rester vigilant et d'en oublier les consignes de sécurité.** Toute action imprudente peut engendrer de graves blessures en une fraction de seconde.
4. **Utilisation et entretien des outils électriques**
- a. **Respectez la capacité de l'outil. Utilisez l'outil approprié en fonction du travail à réaliser.** Un outil adapté fonctionne mieux, de façon plus sûre et à la cadence pour laquelle il a été conçu.
- b. **N'utilisez pas l'outil électrique si son interrupteur ne permet pas de l'allumer ou de l'éteindre.** Tout outil électrique qui ne peut plus être commandé par son interrupteur est dangereux et doit être réparé.
- c. **Débranchez la prise du secteur et/ou retirez le bloc-batterie de l'outil électrique avant d'effectuer tout réglage, de changer un accessoire ou de ranger l'outil électrique.** Ces mesures de sécurité préventives réduisent le risque de démarrage accidentel de l'outil électrique.
- d. **Rangez les outils électriques non utilisés hors de portée des enfants et ne laissez aucune personne ne connaissant pas ces outils ou leurs instructions d'utilisation les faire fonctionner.** Les outils électriques peuvent être dangereux entre des mains inexpérimentées.
- e. **Entretenez vos outils électriques et leurs accessoires. Vérifiez que les pièces mobiles sont alignées correctement et qu'elles ne sont pas coincées. Vérifiez qu'aucune pièce n'est cassée et contrôlez l'absence de toute autre condition qui pourrait nuire au bon fonctionnement de l'outil. En cas de dommage, faites réparer l'outil électrique avant de l'utiliser.** De nombreux accidents sont provoqués par des outils électriques mal entretenus.
- f. **Maintenez les organes de coupe affûtés et propres.** Des organes de coupe bien entretenus et affûtés sont moins susceptibles de rester coincés et sont plus faciles à contrôler.
- g. **Utilisez l'outil électrique, les accessoires et les embouts d'outils conformément à ces instructions, en tenant compte des conditions de travail, ainsi que du travail à effectuer.** L'utilisation d'un outil électrique à des fins autres que celles pour lesquelles il a été prévu engendrent des situations dangereuses.
- h. **Veillez à ce que les poignées et les surfaces de préhension restent sèches et propres, sans trace d'huile ou de graisse.** Des poignées glissantes et des surfaces grasses ne permettent pas de manipuler ou de contrôler l'outil de façon sûre en cas de situation inattendue.
5. **Révision/Réparation**
- a. **Faites réparer votre outil électrique par une personne qualifiée, n'utilisant que des pièces de rechange d'origine.** Cela permet de garantir la sûreté de l'outil électrique.

Avertissements de sécurité supplémentaires liés aux outils électriques



Avertissement ! Instructions de sécurité supplémentaires concernant les ponceuses

- ◆ **Tenez l'outil électrique par ses surfaces de préhension isolées afin d'empêcher que la surface abrasive entre en contact avec le cordon de l'outil.**
Le sectionnement d'un fil sous tensions peut mettre les parties métalliques exposées de l'outil sous tension et provoquer un choc électrique à l'utilisateur.
- ◆ **Utilisez des pinces ou tout autre moyen pratique pour fixer et soutenir l'ouvrage sur une plateforme stable.**
Tenir l'ouvrage à la main ou contre votre corps le rend instable et peut conduire à une perte de contrôle.
- ◆ **Avertissement ! Tout contact ou inhalation de poussières pendant le ponçage peut présenter un danger pour la santé de l'opérateur et des personnes éventuellement présentes à proximité.** Portez un masque anti-poussière spécialement conçu pour vous protéger des poussières et des fumées et veillez à ce que les personnes se trouvant à l'intérieur de la zone de travail ou y pénétrant soient également protégées.
- ◆ **Éliminez complètement toutes les poussières après le ponçage.**
- ◆ **Faites spécialement attention lorsque vous poncez de la peinture pouvant être à base de plomb ou lorsque vous poncez des bois et des métaux pouvant produire de la poussière toxique :**
 - ◆ **Ne laissez pas les enfants ou les femmes enceintes entrer dans la zone de travail.**
 - ◆ **Ne mangez pas, ne buvez pas ou ne fumez pas dans la zone de travail.**
 - ◆ **Éliminez toutes les particules de poussière et autres débris de façon sûre.**
- ◆ **L'utilisation prévue est décrite dans ce manuel d'utilisation.**

L'utilisation d'un accessoire ou d'un équipement non spécifié ou l'utilisation de cet outil à d'autres fins que celles recommandées dans ce manuel d'utilisation présentent un risque de blessures et/ou de dommages matériels.

Sécurité des personnes

- ◆ Cet appareil n'est pas conçu pour être utilisé par des personnes (y compris des enfants) aux capacités physiques, sensorielles ou intellectuelles réduites ou sans expérience ni connaissances, à moins qu'elles ne soient surveillées ou qu'elles aient été formées sur la façon sûre d'utiliser l'appareil, par une personne responsable de leur sécurité.
- ◆ Ne laissez jamais les enfants sans surveillance afin d'éviter qu'ils ne jouent avec l'appareil.

Risques résiduels.

Certains risques résiduels autres que ceux mentionnés dans les avertissements sur la sécurité peuvent survenir en utilisant l'outil. Ces risques peuvent être provoqués par une utilisation incorrecte, prolongée, etc.

Malgré l'application des normes de sécurité pertinentes et la mise en œuvre de dispositifs de sécurité, certains risques résiduels ne peuvent pas être évités. Ils comprennent :

- ◆ Les blessures provoquées par le contact avec des pièces rotatives/mobiles.
- ◆ Les blessures provoquées pendant le remplacement de pièces, de lames ou d'accessoires.
- ◆ Les blessures dues à l'utilisation prolongée d'un outil. Lorsque vous utilisez un outil quel qu'il soit pendant de longues périodes, assurez-vous de faire des pauses régulières.
- ◆ La diminution de l'acuité auditive.
- ◆ Les risques pour la santé provoqués par l'inhalation des poussières générées pendant l'utilisation de votre outil (exemple : travail avec du bois, surtout le chêne, le hêtre et les panneaux en MDF)

Vibrations

La valeur des émissions de vibrations déclarée dans les caractéristiques techniques et la déclaration de conformité a été mesurée conformément à la méthode de test normalisée établie par la norme EN62841 et elle peut être utilisée pour comparer un outil à un autre. La valeur des émissions de vibrations déclarée peut aussi être utilisée pour une évaluation préliminaire à l'exposition.

Avertissement ! En fonction de la manière dont l'outil électrique est utilisé, la valeur des émissions de vibrations réelles pendant l'utilisation de l'outil peut différer de la valeur déclarée. Le niveau des vibrations peut dépasser le niveau déclaré.

Quand l'exposition aux vibrations est évaluée afin de déterminer les mesures de sécurité requises par la norme 2002/44/CE pour protéger les personnes utilisant régulièrement des outils électriques, cette estimation doit tenir compte des conditions réelles d'utilisation et de la façon dont l'outil est utilisé. Il faut également tenir compte de toutes les composantes du cycle de fonctionnement comme la durée pendant laquelle l'outil est arrêté et quand il fonctionne au ralenti, ainsi que la durée du déclenchement.

Étiquettes apposées sur l'outil

Les symboles suivants figurent sur l'outil avec le code date :



Avertissement ! Afin de réduire le risque de blessures, l'utilisateur doit lire le manuel d'utilisation.

Sécurité électrique



Cet outil est doublement isolé et ne nécessite donc aucun fil de liaison à la terre. Assurez-vous toujours que l'alimentation électrique correspond à la tension mentionnée sur la plaque signalétique.

- ◆ Si le câble d'alimentation est endommagé, il doit être remplacé par le fabricant ou par un centre d'assistance Stanley FatMax agréé afin d'éviter tout risque.

Caractéristiques

Cet outil dispose de tout ou partie des éléments suivants.

1. Interrupteur Marche/Arrêt
2. Levier de verrouillage
3. Semelle de ponçage
4. Dispositif de blocage du papier
5. Bouton variateur de vitesse
6. Bac à poussière

Assemblage

Avertissement ! Avant l'assemblage, assurez-vous que l'outil est éteint et débranché.

Installer les feuilles abrasives (Fig. A, B, C, D)

Avertissement ! N'utilisez jamais l'outil sans feuille abrasive ou sans accessoire en place.

Installer des feuilles abrasives avec les fils de nylon (Fig. A)

- ◆ Assurez-vous que l'outil est éteint et débranché.
- ◆ Appuyez fermement la feuille de façon homogène sur la semelle de ponçage (3).

Installer des feuilles abrasives ordinaires (Fig. B, C, D)

- ◆ Assurez-vous que l'outil est éteint et débranché.
- ◆ Assouplissez la feuille abrasive en frottant le côté non abrasif sur le bord d'un plan de travail.
- ◆ Tirez les leviers de fixation du papier (4) vers le haut pour les libérer des rainures de retenue et ouvrez les attaches pour le papier en les abaissant (Fig. B).
- ◆ Placez la feuille sur la semelle de ponçage (3) (Fig. C).
- ◆ Insérez le bord de la feuille abrasive dans la fixation avant, comme illustré (Fig. D).
- ◆ Abaissez le levier de fixation du papier avant (4) et fixez-le dans la rainure de retenue.
- ◆ Tout en gardant une légère tension sur la feuille, insérez le bord arrière de la feuille dans la fixation arrière.
- ◆ Abaissez le levier de fixation du papier arrière (4) et fixez-le dans la rainure de retenue.

Installer et retirer le bac à poussière (Fig. E)

- ◆ Installez le bac à poussière (6) sur le raccord d'évacuation de la poussière (7).
- ◆ Glissez le bac à poussière sur l'outil et assurez-vous qu'il est bien en place.
- ◆ Pour retirer le bac à poussière, tirez-le vers l'arrière et hors du raccord.

Utilisation

Avertissement ! Laissez l'outil fonctionner à son propre rythme. Ne le poussez pas au-delà de sa capacité.

Avertissement ! Ne couvrez pas les orifices de ventilation quand l'outil est en marche. Assurez-vous que la semelle de ponçage repose bien à plat sur l'ouvrage.

Bouton variateur de vitesse

Le bouton variateur de vitesse vous permet d'adapter la vitesse de l'outil à la matière de la pièce à travailler.

- ◆ Réglez le bouton de commande (5) sur la position voulue. Utilisez la vitesse rapide pour le bois, la vitesse moyenne pour les placages et les synthétiques et la vitesse lente pour le verre acrylique et pour éliminer la peinture

Mise en marche et Extinction (Fig. F)

- ◆ Pour mettre l'outil en marche, appuyez sur l'interrupteur Marche/Arrêt (1).
- ◆ Pour un fonctionnement en continu, appuyez sur le bouton de verrouillage (2) et relâchez l'interrupteur Marche/Arrêt.
- ◆ Pour éteindre l'outil, relâchez l'interrupteur Marche/Arrêt. Pour éteindre l'outil quand il fonctionne en mode continu, appuyez une nouvelle fois sur l'interrupteur Marche/Arrêt, puis relâchez-le.

Vider le bac à poussière

Le bac à poussière (2) doit être vidé toutes les dix minutes d'utilisation.

- ◆ Tirez le bac à poussière (6) vers l'arrière et hors de l'outil en le séparant du raccord.
- ◆ Videz le bac dans un contenant adapté et remplacez-le sur l'outil.

Conseils pour une utilisation optimale

- ◆ Pour plus de confort, l'outil peut être utilisé à une ou deux mains (Fig. G, H, I). Ne placez pas vos mains sur les orifices de ventilation.
- ◆ N'exercez pas une trop grande pression sur l'outil.
- ◆ Vérifiez régulièrement l'état de la feuille abrasive. Remplacez-la si nécessaire.
- ◆ Poncez toujours dans le sens du grain du bois.
- ◆ Lorsque vous poncez de nouvelles couches de peinture avant d'en appliquer une autre, utilisez un abrasif extra fin.
- ◆ Pour les surfaces irrégulières ou pour retirer des couches de peinture, commencez avec un abrasif à gros grains.

Sur d'autres surfaces, commencez avec un abrasif moyen. Dans les deux cas, changez graduellement pour un grain plus fin pour une finition homogène.

- ◆ Renseignez-vous auprès de votre revendeur pour avoir plus d'informations sur les accessoires disponibles.

Maintenance

Votre outil Stanley Fat Max a été conçu pour fonctionner pendant longtemps avec un minimum d'entretien. Le fonctionnement continu et satisfaisant de l'outil dépend de son bon entretien et de son nettoyage régulier.

Avertissement ! Avant de procéder à un quelconque entretien sur l'outil, débranchez le chargeur.

- ◆ Nettoyez régulièrement les orifices d'aération de votre outil à l'aide d'une brosse souple ou d'un chiffon sec.
- ◆ Nettoyez régulièrement le bloc-moteur à l'aide d'un chiffon humide. N'utilisez pas de détergents abrasifs ou à base de solvants.

Remplacer la prise secteur (RU et Irlande uniquement)

Si une nouvelle prise secteur doit être installée :

- ◆ Jetez l'ancienne prise de façon appropriée.
- ◆ Raccordez le fil marron à la borne de phase de la nouvelle prise.
- ◆ Raccordez le fil bleu à la borne du neutre.

Avertissement ! Aucun branchement ne doit être fait à la borne de terre.

Suivez les instructions d'installation fournies avec les prises de bonne qualité.

Fusible recommandé : 5 A.

Protection de l'environnement



Tri sélectif. Les produits et batteries marqués de ce symbole ne doivent pas être jetés avec les déchets ménagers.

Les produits et batteries contiennent des matières qui peuvent être récupérées et recyclées afin de réduire la demande en matières premières.

Veillez à recycler les produits électriques et les piles et batteries conformément aux prescriptions locales en vigueur.

Plus d'informations sont disponibles sur le site www.2helpU.com

Caractéristiques techniques

		KFFMEW210	FMEW214
Tension d'entrée	V _{CA}	230	230
Puissance absorbée	W	280	280
Oscillations (sans charge)	min ⁻¹	24000	24000
Orbites (sans charge)	min ⁻¹	12000	12000

		KFFMEW210	FMEW214
Surface de la semelle de ponçage	mm	187 x 90	187 x 90
Poids	kg	2.0	2.0

Niveau de pression sonore selon la norme EN 62841 :	
KFFMEW210 Pression sonore (L _{pa})	85 dB(A), incertitude (K) 3 dB(A)
FMEW214 Pression sonore (L _{pa})	85 dB(A), incertitude (K) 3 dB(A)
KFFMEW210 Puissance sonore (L _{wa})	96 dB(A), incertitude (K) 3 dB(A)
FMEW214 Puissance sonore (L _{wa})	96 dB(A), incertitude (K) 3 dB(A)

Valeurs totales des vibrations (somme vectorielle triaxiale) selon la norme EN 62841 :	
KFFMEW210 (a)	6 m/s ² , incertitude (K) 1,5 m/s ²
FMEW214 (a)	6 m/s ² , incertitude (K) 1,5 m/s ²

Déclaration de conformité CE

DIRECTIVES MACHINES



Ponceuse KFFMEW210/ FMEW214

Stanley Europe déclare que les produits décrits dans les "Caractéristiques techniques" sont conformes aux normes : 2006/42/CE, EN62841-1:2015, EN62841-2:4:2014.

Ces produits sont également conformes aux Directives 2014/30/UE et 2011/65/UE. Pour plus de détails, veuillez contacter Stanley Europe à l'adresse suivante ou vous reporter au dos du manuel.

Le soussigné est responsable de la compilation du dossier technique et fait cette déclaration au nom de Stanley FatMax.

R. Laverick
 Directeur Ingénierie
 Stanley Europe, Egide Walschaertsstraat14-18,
 2800 Mechelen, Belgique
 28/08/2018

Garantie

Stanley Fat Max est sûr de la qualité de ses produits et offre une garantie de 12 mois à ses clients, à partir de la date d'achat. Cette garantie s'ajoute à vos droits légaux auxquels elle ne porte aucunement préjudice. Cette garantie est valable au sein des territoires des États membres de l'Union Européenne et au sein de la Zone européenne de libre-échange.

Pour prétendre à la garantie, la réclamation doit être en conformité avec les conditions générales de Stanley Fat Max et vous devez fournir une preuve d'achat au vendeur ou au réparateur agréé. Les conditions générales de la garantie de 1 an Stanley Fat Max ainsi que l'adresse du réparateur agréé le plus proche sont disponibles sur le site Internet www.2helpU.com ou en contactant votre agence Stanley Fat Max locale à l'adresse indiquée dans ce manuel.

Veillez consulter notre site Internet www.stanley.eu/3 pour enregistrer votre nouveau produit Stanley Fat Max et pour être tenu informé des nouveaux produits et offres spéciales.

Usò previsto

Le levigatrici FMEW214, KFFMEW210 Stanley® Fatmax® sono state progettate per levigare superfici verniciate e in legno, metallo e plastica. Questo utensile è stato progettato per uso professionale e privato e per utenti non professionisti.

Istruzioni di sicurezza

Avvertenze di sicurezza generali per gli elettrooutensili



Avvertenza! Leggere attentamente tutte le avvertenze, istruzioni, illustrazioni e specifiche fornite con l'elettrooutensile. L'inosservanza delle avvertenze e istruzioni elencate di seguito potrebbe dar luogo a scossa elettrica, incendi e/o lesioni gravi alle persone.

Conservare tutte le avvertenze e le istruzioni per consultazioni successive. Il termine "elettrooutensile" che ricorre in tutte le avvertenze seguenti si riferisce ad utensili elettrici con o senza filo.

1. Sicurezza nell'area di lavoro

- Mantenere pulita e bene illuminata l'area di lavoro.** Gli ambienti disordinati o scarsamente illuminati favoriscono gli incidenti.
- Evitare di usare gli elettrooutensili in ambienti esposti a rischio di esplosione, ad esempio in presenza di liquidi, gas o polveri infiammabili.** Gli elettrooutensili generano scintille che possono incendiare le polveri o i fumi.
- Tenere lontani bambini e altre persone presenti mentre si usa un elettrooutensile.** Eventuali distrazioni possono provocare la perdita di controllo dello stesso.

2. Sicurezza elettrica

- Le spine elettriche degli elettrooutensili devono essere adatte alla presa di corrente. Non modificare la spina in alcun modo. Non utilizzare spine con adattatore con gli elettrooutensili dotati di messa a terra.**

Per ridurre il rischio di scosse elettriche evitare di modificare le spine e utilizzare sempre le prese di corrente appropriate.

- Evitare il contatto fisico con superfici collegate a terra, come tubi, radiatori, forni e frigoriferi.** Se il corpo dell'utilizzatore è collegato a terra, il rischio di scosse elettriche aumenta.
- Non esporre gli elettrooutensili alla pioggia o all'umidità.** Se penetra dell'acqua all'interno dell'elettrooutensile, il rischio di scossa elettrica aumenta.
- Non utilizzare il cavo di alimentazione in modo improprio. Non spostare, tirare o scollegare mai l'elettrooutensile dalla presa tirandolo dal cavo. Tenere il cavo di alimentazione lontano da fonti di calore, olio, bordi taglienti o parti in movimento.** Se il cavo di alimentazione è danneggiato o impigliato, il rischio di scossa elettrica aumenta.
- Se l'elettrooutensile viene utilizzato all'aperto, usare esclusivamente prolunghie omologate per l'impiego all'esterno.** L'uso di un cavo di alimentazione adatto per esterni riduce il rischio di scossa elettrica.
- Se non è possibile evitare di lavorare in una zona umida, collegarsi a una rete elettrica protetta da un interruttore differenziale (RCD).** L'uso di un interruttore differenziale riduce il rischio di scosse elettriche.

3. Sicurezza delle persone

- È importante concentrarsi su ciò che si sta facendo e maneggiare con giudizio l'elettrooutensile. Non utilizzare un elettrooutensile quando si è stanchi o sotto l'effetto di sostanze stupefacenti, alcool o medicinali.** Un solo attimo di distrazione durante l'uso dell'elettrooutensile potrebbe provocare gravi lesioni personali.
- Usare dispositivi di protezione individuale. Indossare sempre dispositivi di protezione per gli occhi.** L'uso di dispositivi di protezione, quali mascherine antipolvere, scarpe antinfortunistiche antiscivolo, elmetti o protezioni auricolari in condizioni opportune consente di ridurre le lesioni personali.
- Impedire l'avviamento involontario. Accertarsi che l'interruttore di accensione/spegnimento sia nella posizione di spegnimento, prima di collegare l'elettrooutensile alla rete elettrica e/o alla batteria, di prenderlo in mano o di trasportarlo.** Per non esporsi al rischio di incidenti, non trasportare l'elettrooutensile tenendo le dita sull'interruttore di accensione/spegnimento e non collegarlo a una fonte di alimentazione elettrica con l'interruttore in posizione di accensione.
- Prima di accendere un elettrooutensile, rimuovere gli eventuali utensili o chiavi di regolazione.** Un utensile di regolazione o una chiave inseriti in una parte rotante dell'elettrooutensile può provocare lesioni alle persone.

- e. **Non sbilanciarsi. Mantenere sempre un appoggio e un equilibrio adeguati.** In tal modo è possibile controllare meglio l'elettrotensile nelle situazioni impreviste.
- f. **Vestirsi in maniera opportuna. Non indossare abiti lenti o gioielli. Tenere i capelli, gli indumenti e i guanti lontano dalle parti mobili.** Indumenti larghi, gioielli o capelli lunghi possono impigliarsi nelle parti in movimento.
- g. **Se gli elettrotensili sono provvisti di attacchi per il collegamento di dispositivi di aspirazione o di raccolta delle polveri, assicurarsi che questi ultimi siano installati e utilizzati correttamente.** L'impiego di dispositivi per la raccolta delle polveri può ridurre i pericoli associati a queste ultime.
- h. **Non lasciare che la familiarità acquisita dall'uso frequente degli utensili induca a cedere alla tentazione di ignorare i principi di utilizzo sicuro degli stessi.**
Un'azione imprudente potrebbe provocare lesioni gravi in una frazione di secondo.
- 4. Uso e cura dell'elettrotensile**
- a. **Non sovraccaricare l'elettrotensile. Utilizzare l'elettrotensile adatto per il lavoro da eseguire.**
L'elettrotensile corretto funziona meglio e in modo più sicuro se viene utilizzato alla velocità per cui è stato progettato.
- b. **Non utilizzare l'elettrotensile se l'interruttore di accensione/spengimento è difettoso.** Qualsiasi elettrotensile che non possa essere controllato tramite l'interruttore è pericoloso e deve essere riparato.
- c. **Scollegare la spina dalla presa di corrente e/o la batteria dall'elettrotensile prima di regolarlo, sostituirne gli accessori o riporlo in magazzino.**
Queste misure di sicurezza preventive riducono il rischio di azionare accidentalmente l'elettrotensile.
- d. **Quando non vengono usati, gli elettrotensili devono essere custoditi fuori dalla portata dei bambini. Non consentire l'uso dell'elettrotensile a persone inesperte o che non abbiano letto le presenti istruzioni d'uso.**
Gli elettrotensili sono pericolosi in mano a persone inesperte.
- e. **Sottoporre gli elettrotensili e gli accessori a regolare manutenzione. Verificare che le parti mobili siano correttamente allineate e non inceppate, che non vi siano componenti rotti e che non sussistano altre condizioni che possono compromettere il funzionamento dell'elettrotensile. Se l'elettrotensile è danneggiato, farlo riparare prima dell'uso.** Molti incidenti sono provocati da elettrotensili non sottoposti a corretta manutenzione.
- f. **Mantenere affilati e puliti gli utensili da taglio.** La manutenzione corretta degli utensili da taglio con bordi affilati riduce le probabilità di inceppamento e ne facilita il controllo.
- g. **Utilizzare l'elettrotensile, gli accessori, le punte, ecc. in conformità alle presenti istruzioni, tenendo conto delle condizioni operative e del lavoro da eseguire.**
L'utilizzo dell'elettrotensile per impieghi diversi da quelli previsti può dare luogo a situazioni di pericolo.
- h. **Mantenere le impugnature e le superfici di presa asciutte, pulite e senza tracce di olio o grasso.**
Impugnature e superfici di presa scivolose non consentono di maneggiare e controllare in modo sicuro l'elettrotensile nel caso di imprevisti.
- 5. Assistenza**
- a. **Fare riparare l'elettrotensile esclusivamente da personale qualificato, utilizzando solo pezzi di ricambio originali.** In questo modo sarà possibile mantenere la sicurezza dell'elettrotensile.

Ulteriori avvertenze di sicurezza riguardanti l'elettrotensile



Avvertenza! Ulteriori avvisi di sicurezza per le levigatrici

- ◆ **Tenere l'elettrotensile per le apposite impugnature isolanti, siccome la base di levigatura potrebbe entrare in contatto con il suo stesso cavo.** Il taglio di un filo sotto tensione mette sotto tensione le parti metalliche esposte dell'elettrotensile e potrebbe esporre l'operatore a scosse elettriche.
- ◆ **Usare morsa o altri metodi pratici per fissare e bloccare il pezzo in lavorazione a una piattaforma stabile.** Tenere il pezzo in lavorazione con le mani o contro il corpo non ne assicura la stabilità e potrebbe comportare la perdita di controllo dell'elettrotensile.
- ◆ **Avvertenza! Il contatto o l'inalazione della polvere generata dalla levigatura potrebbe nuocere alla salute dell'operatore e delle eventuali altre persone presenti.** Indossare una mascherina antipolvere specifica per polveri e fumi e accertarsi che anche le persone presenti nell'area di lavoro o che vi entrano siano adeguatamente protette.
- ◆ **Dopo la levigatura, rimuovere tutta la polvere.**
- ◆ **Prestare molta attenzione quando si levigano superfici verniciate con prodotti che probabilmente contengono il piombo come componente di base oppure quando si levigano certi legni e metalli la cui polvere può essere tossica:**
 - ◆ Vietare l'accesso nell'area di lavoro a bambini o donne in gravidanza.
 - ◆ Non mangiare, bere o fumare nell'area di lavoro.

- ◆ **Smaltire polvere e rifiuti adottando le necessarie misure di sicurezza.**
- ◆ **L'uso previsto è indicato nel presente manuale di istruzioni.** Se questo elettroutensile viene usato con accessori o per usi diversi da quelli raccomandati nel presente manuale, si potrebbero verificare lesioni a persone e/o danni alle cose.

Sicurezza altrui

- ◆ Questo elettroutensile non è destinato all'uso da parte di persone (compresi i bambini) con capacità fisiche, sensoriali o mentali ridotte, o prive di esperienza e conoscenze, salvo che non siano sottoposte a sorveglianza o ricevano istruzioni riguardo all'uso dell'elettroutensile da parte di una persona responsabile della loro sicurezza.
- ◆ Controllare che i bambini non giochino con l'elettroutensile.

Rischi residui.

L'utilizzo dell'elettroutensile può comportare rischi residui non necessariamente riportati nelle presenti avvertenze di sicurezza. Tali rischi possono sorgere a seguito di un uso prolungato o improprio, ecc.

Malgrado il rispetto delle norme di sicurezza pertinenti e l'implementazione di dispositivi di sicurezza, alcuni rischi residui non possono essere evitati. Sono inclusi:

- ◆ lesioni causate o subite a seguito del contatto con parti rotanti/in movimento;
- ◆ lesioni causate o subite durante la sostituzione di parti, lame o accessori;
- ◆ lesioni causate dall'impiego prolungato di un elettroutensile (quando si utilizza qualsiasi apparecchio per lunghi periodi, accertarsi di fare regolarmente delle pause);
- ◆ menomazioni uditive;
- ◆ rischi per la salute causati dall'aspirazione di polvere generata dall'utilizzo dell'elettroutensile (ad esempio, quando si lavora con il legno, in modo particolare quello di quercia, faggio o l'MDF).

Vibrazioni

I valori delle emissioni di vibrazioni dichiarati, indicati al paragrafo "Dati tecnici" e nella dichiarazione di conformità, sono stati misurati in base al metodo di prova standard previsto dalla normativa EN62841 e possono essere usati come parametri di confronto tra due elettroutensili. Il valore delle emissioni di vibrazioni dichiarato può anche essere usato come valutazione preliminare dell'esposizione.

Avvertenza! Il valore delle emissioni di vibrazioni durante l'impiego effettivo dell'elettroutensile può variare da quello dichiarato a seconda delle modalità d'uso. Il livello delle vibrazioni può aumentare oltre quello dichiarato.

Quando si valuta l'esposizione alle vibrazioni per determinare le misure di sicurezza richieste dalla normativa 2002/44/CE destinata alla protezione delle persone che utilizzano regolarmente elettroutensili per lo svolgimento delle proprie mansioni, è necessario prendere in considerazione le condizioni effettive di utilizzo e il modo in cui l'elettroutensile viene usato, oltre che tenere conto di tutte le componenti del ciclo operativo, vale a dire i periodi in cui l'elettroutensile rimane spento, quelli in cui è acceso ma fermo e quelli in cui viene effettivamente utilizzato.

Etichette sull'elettroutensile

Sull'elettroutensile sono presenti i seguenti simboli assieme al codice data:



Avvertenza! Per ridurre il rischio di lesioni alle persone, l'utilizzatore deve leggere il manuale d'istruzioni.

Sicurezza elettrica



Il doppio isolamento di cui è provvisto l'elettroutensile rende superfluo il filo di terra. Assicurarsi che la tensione della rete di alimentazione corrisponda al valore indicato sulla targhetta dei valori nominali.

- ◆ Se il cavo di alimentazione necessita di essere sostituito, è necessario farlo sostituire dal produttore o presso un centro di assistenza Stanley FatMax autorizzato, in modo da evitare rischi.

Caratteristiche

Questo utensile presenta alcune o tutte le seguenti caratteristiche. 1. Interruttore di accensione/spegnimento

2. Pulsante di blocco
3. Base di levigatura
4. Leva di bloccaggio carta
5. Manopola comando velocità variabile
6. Contenitore della polvere

Assemblaggio

Avvertenza! Prima di assemblare l'elettroutensile, assicurarsi che sia spento e scollegato dalla presa di corrente.

Montaggio di fogli di carta abrasiva (Figg. A, B, C, D)

Avvertenza! Non utilizzare mai l'elettroutensile senza foglio abrasivo o accessorio montato.

Montaggio dei fogli abrasivi con occhielli in nylon (Fig. A)

- ◆ Assicurarsi che l'elettroutensile sia spento e scollegato dalla corrente.
- ◆ Premere saldamente e in modo uniforme il foglio nella base di levigatura (3).

Montaggio dei fogli abrasivi standard (Fig. B, C, D)

- ◆ Assicurarsi che l'elettrotensile sia spento e scollegato dalla corrente.
- ◆ Ammorbidire i fogli di levigatura strofinando la parte non abrasiva sul bordo di una superficie di lavoro.
- ◆ Spingere verso l'alto le leve di bloccaggio (4) della carta per liberarle dalle scanalature di bloccaggio e aprire i fermi della carta spingendoli verso il basso (Fig. B).
- ◆ Posizionare il foglio sulla base di levigatura (3) (fig. C).
- ◆ Inserire il bordo del foglio di carta abrasiva nel fermo anteriore della carta come illustrato (Fig. D).
- ◆ Spingere verso il basso la leva anteriore di bloccaggio della carta (4) e posizionarla nella scanalatura di bloccaggio.
- ◆ Tendendo leggermente il foglio di carta abrasiva, inserire il bordo posteriore del foglio nel fermo posteriore della carta.
- ◆ Spingere verso il basso la leva anteriore di bloccaggio della carta (4) e posizionarla nella scanalatura di bloccaggio.

Montaggio e rimozione del contenitore della polvere (Fig. E)

- ❖ Montare il contenitore della polvere (6) sull'apertura d'estrazione della polvere (7).
- ◆ Infilare il contenitore della polvere sull'elettrotensile e accertarsi che sia posizionato in modo sicuro.
- ◆ Per rimuovere il contenitore della polvere, tirarlo indietro e staccarlo dall'apertura di estrazione.

Impiego

Avvertenza! Lasciare che l'elettrotensile funzioni al proprio ritmo. Non sovraccaricarlo.

Avvertenza! Non coprire le prese di ventilazione durante l'utilizzo dell'apparecchio. Accertarsi che la base di levigatura sia posizionata in orizzontale sul pezzo in lavorazione.

Selettore di velocità variabile

Il comando della velocità variabile consente di adattare la velocità dell'elettrotensile all'applicazione.

- ◆ Impostare il pomello di regolazione (5) sul valore richiesto. Usare una velocità alta per il legno, media per le impiallaccature e i materiali sintetici e bassa per il plexiglas, i metalli non ferrosi e per eliminare la vernice

Accensione e spegnimento (Fig. F)

- ◆ Per accendere l'elettrotensile, premere l'interruttore di accensione/spegnimento (1).
- ◆ Per il funzionamento continuo, premere il pulsante di bloccaggio (2) e rilasciare l'interruttore di accensione.
- ◆ Per spegnere l'elettrotensile, rilasciare l'interruttore di accensione. Per spegnere l'elettrotensile durante il funzionamento continuo, premere di nuovo l'interruttore di accensione e rilasciarlo.

Per svuotare il contenitore della polvere

Svuotare il contenitore della polvere (2) dopo ogni dieci minuti di utilizzo.

- ◆ Tirare il sacchetto di raccolta della polvere (6) verso la parte posteriore ed estrarlo dalla porta di connessione.
- ◆ Svuotare il contenitore della polvere in un recipiente idoneo e riposizionarlo sull'utensile.

Consigli per un utilizzo ottimale

- ◆ Per la massima comodità dell'utilizzatore, l'elettrotensile può essere azionato con una o due mani (Figg. G, H, I). Non appoggiare le mani sulle prese di ventilazione.
- ◆ Non esercitare una pressione eccessiva sull'elettrotensile.
- ◆ Verificare regolarmente lo stato del foglio di carta abrasiva. Se necessario, sostituirlo.
- ◆ Levigare sempre usando una carta abrasiva con una grana analoga a quella del legno.
- ◆ Quando si carteggiano strati di vernice nuova, adoperare carta con grana fine prima di applicare lo strato successivo di vernice.
- ◆ Sulle superfici rugose, o quando si rimuovono strati di vernice, iniziare a levigare con carta abrasiva a grana grossa. Su superfici di altro tipo, cominciare con una grana media. In entrambi i casi, per ottenere una rifinitura omogenea passare gradualmente a una grana sottile.
- ◆ Consultare il rivenditore per ulteriori informazioni sugli accessori disponibili.

Manutenzione

Questo elettrotensile Stanley® Fatmax® è stato progettato per funzionare a lungo con una manutenzione minima. Prestazioni sempre soddisfacenti dipendono da una cura appropriata e da una pulizia regolare.

Avvertenza! Prima di eseguire interventi di manutenzione sull'elettrotensile, scollegare il caricabatteria prima di pulirlo.

- ◆ Le prese di ventilazione dell'elettrotensile devono essere pulite regolarmente con un pennello morbido o un panno asciutto.
- ◆ Pulire regolarmente l'alloggiamento del motore con un panno umido. Non usare materiali abrasivi o detersivi a base di solventi.

Sostituzione della spina (solo Regno Unito e Irlanda)

Se dovesse essere necessario installare una nuova spina:

- ◆ smaltire in sicurezza quella vecchia;
- ◆ collegare il filo marrone al morsetto sotto tensione della nuova spina.
- ◆ collegare il filo blu al morsetto neutro.

Avvertenza! Non deve essere effettuato alcun collegamento al terminale di messa a terra.

Seguire le istruzioni di montaggio fornite con le spine di buona qualità.

Fusibile raccomandato: 5 A.

Protezione dell'ambiente



Raccolta differenziata. I prodotti e le batterie contrassegnati con questo simbolo non devono essere smaltiti con i rifiuti domestici normali.

Prodotti e batterie contengono materiali che possono essere recuperati o riciclati, riducendo la richiesta di materie prime. Riciclare i prodotti elettrici e le batterie attenendosi alle disposizioni locali vigenti. Ulteriori informazioni sono disponibili all'indirizzo web www.2helpU.com.

Dati tecnici

		KFFMEW210	FMEW214
Tensione in ingresso	V_{AC}	230	230
Potenza assorbita	W	280	280
Oscillazioni (a vuoto)	min^{-1}	24000	24000
Rotazioni (a vuoto)	min^{-1}	12000	12000
Superficie della base di levigatura	mm	187 x 90	187 x 90
Peso	kg	2.0	2.0

Livello di pressione sonora misurato in conformità alla norma EN 62841:

KFFMEW210 Pressione sonora (L_{pA}) 85 dB(A), incertezza (K) 3 dB(A)

FMEW214 Pressione sonora (L_{pA}) 85 dB(A), incertezza (K) 3 dB(A)

KFFMEW210 Potenza acustica (L_{WA}) 96 dB(A), incertezza (K) 3 dB(A)

FMEW214 Potenza acustica (L_{WA}) 96 dB(A), incertezza (K) 3 dB(A)

Valori totali di emissione di vibrazioni (somma vettoriale triassiale) in conformità alla norma EN 62841:

KFFMEW210 (a_w) 6 m/s^2 , incertezza (K) 1,5 m/s^2

FMEW214 (a_w) 6 m/s^2 , incertezza (K) 1,5 m/s^2

Dichiarazione di conformità CE

DIRETTIVA MACCHINE



Levigatrice KFFMEW210, FMEW214

Stanley Europe dichiara che questi prodotti descritti al paragrafo "Dati tecnici" sono conformi a:

2006/42/EC, EN62841-1:2015, EN62841-2-4:2014.

Questi prodotti sono conformi alla Direttive 2014/30/UE e 2011/65/UE. Per ulteriori informazioni contattare Stanley Europe al seguente indirizzo oppure consultare l'ultima di copertina del manuale.

Il sottoscritto è responsabile della redazione di questo documento tecnico e rilascia questa dichiarazione per conto di Stanley® Fatmax®.

R. Laverick

Direttore tecnico

Stanley Europe, Egide Walschaertsstraat14-18,

2800 Mechelen, Belgio

28/08/2018

Garanzia

Stanley® Fatmax® è sicura della qualità dei propri prodotti e offre ai consumatori una garanzia di 12 mesi dalla data di acquisto. Il presente certificato di garanzia è complementare ai diritti legali e non li pregiudica in alcun modo. La garanzia è valida nei territori degli Stati membri dell'Unione Europea o dell'EFTA (Associazione europea di libero scambio). Per attivare la garanzia, il reclamo deve essere effettuato in accordo con i Termini e Condizioni di Stanley® Fatmax® e sarà necessario presentare la prova di acquisto al venditore o all'agente di riparazione autorizzato. I Termini e condizioni della garanzia Stanley® Fatmax® di 1 anno e la sede del tecnico riparatore autorizzato più vicino sono consultabili su Internet all'indirizzo www.2helpU.com, o contattando l'ufficio Stanley® Fatmax® di zona all'indirizzo indicato in questo manuale.

Visitare il nostro sito web www.stanley.eu/3 per registrare il prodotto Stanley® Fatmax® appena acquistato e ricevere gli aggiornamenti sui nuovi prodotti e le offerte speciali.

(Vertaling van de originele instructies)

NEDERLANDS

Bedoeld gebruik

De FMEW214, KFFMEW210 Stanley® Fatmax® schuurmachines zijn ontworpen voor het schuren van hout, metaal, kunststof en geverfde oppervlakken. Dit gereedschap is bedoeld voor professionele gebruikers en voor privé-gebruik door niet-professionele gebruikers.

Veiligheidsinstructies

Algemene veiligheidswaarschuwingen voor elektrisch gereedschap



Waarschuwing! Lees alle veiligheidswaarschuwingen, instructies, illustraties en specificaties die bij dit gereedschap zijn meegeleverd. Wanneer de volgende waarschuwingen en voorschriften niet in acht worden genomen, kan dit een elektrische schok, brand of ernstig letsel tot gevolg hebben.

Bewaar alle waarschuwingen en instructies als referentiemateriaal.

De hierna gebruikte term 'elektrisch gereedschap' in alle waarschuwingen die hieronder worden vermeld, heeft betrekking op elektrisch gereedschap voor gebruik op netspanning (met netsnoer) of met een accu (snoerloos).

1. Veilige werkomgeving

- a. **Houd uw werkomgeving schoon en goed verlicht.** Op rommelige of donkere plekken zullen sneller ongelukken gebeuren.
- b. **Werk niet met elektrisch gereedschap in een omgeving met explosiegevaar, zoals in de nabijheid van brandbare vloeistoffen, gassen of stof.** Elektrisch gereedschap veroorzaakt vonken die het stof of de dampen kunnen doen ontbranden.
- c. **Houd kinderen en omstanders tijdens het gebruik van elektrisch gereedschap op afstand.** Als u wordt afgeleid, kunt u de controle over het gereedschap verliezen.

2. Elektrische veiligheid

- a. **De netstekker van het elektrisch gereedschap moet in het stopcontact passen. Pas de stekker nooit op enige manier aan. Gebruik geen adapterstekkers in combinatie met gearde elektrisch gereedschap.** Niet-aangepaste stekkers en passende contactdozen verminderen het risico van een elektrische schok.
- b. **Vermijd aanraking van het lichaam met gearde oppervlakken, bijvoorbeeld buizen, verwarmingen, fornuizen en koelkasten.** Er bestaat een verhoogd risico van een elektrische schok als uw lichaam contact heeft met aarde.
- c. **Stel elektrisch gereedschap niet bloot aan regen en vocht.** Als er water in elektrisch gereedschap binnendringt, verhoogt dit het risico van een elektrische schok.
- d. **Behandel het snoer voorzichtig. Gebruik het snoer nooit om het elektrisch gereedschap te dragen of naar u toe te trekken, of de stekker uit het stopcontact te halen. Houd het snoer uit de buurt van warmtebronnen, olie, scherpe randen, of bewegende onderdelen.** Beschadigde snoeren of snoeren die in de war zijn geraakt, verhogen het risico van een elektrische schok.
- e. **Gebruik, wanneer u buitenshuis met elektrisch gereedschap werkt, alleen verlengsnoeren die zijn goedgekeurd voor gebruik buitenshuis.** Het gebruik van een verlengsnoer dat geschikt is voor buiten vermindert het risico van een elektrische schok.
- f. **Als u met elektrisch gereedschap werkt op een vochtige locatie, gebruik dan een aardlekschakelaar (RCD).** Het gebruik van een aardlekschakelaar vermindert het risico van een elektrische schok.

3. Persoonlijke veiligheid

- a. **Blijf alert, let goed op wat u doet en ga met verstand te werk bij het gebruik van elektrisch gereedschap. Gebruik elektrisch gereedschap niet als u vermoeid bent of onder de invloed van drugs, alcohol of medicatie bent.** Een moment van onoplettendheid tijdens het werken met elektrisch gereedschap kan leiden tot ernstig persoonlijk letsel.
 - b. **Draag persoonlijke beschermende uitrusting. Draag altijd oogbescherming.** Beschermende uitrusting, zoals een stofmasker, antislip veiligheidsschoenen, een helm, of gehoorbescherming, gebruikt in de juiste omstandigheden, zal het risico op persoonlijk letsel verminderen.
 - c. **Voorkom per ongeluk inschakelen. Controleer dat de schakelaar in de uit-stand staat voordat u het gereedschap aansluit op het stopcontact en/of de accu plaatst en voordat u het gereedschap optilt of gaat dragen.** Het dragen van elektrisch gereedschap met uw vinger op de schakelaar of het aanzetten van elektrisch gereedschap waarvan de schakelaar aan staat, kan leiden tot ongelukken.
 - d. **Verwijder stelsleutels of steeksleutels voordat u het elektrisch gereedschap inschakelt.** Een steeksleutel of een inbussleutel in een draaiend deel van het elektrisch gereedschap kan tot persoonlijk letsel leiden.
 - e. **Reik niet buiten uw macht. Blijf altijd stevig en in balans op de grond staan.** Dit geeft u betere controle over het elektrisch gereedschap in onverwachte situaties.
 - f. **Draag geschikte kleding. Draag geen loszittende kleding of sieraden. Houd uw haar, kleding en handschoenen uit de buurt van bewegende onderdelen.** Loszittende kleding, sieraden of lang haar kunnen door bewegende delen worden gegrepen.
 - g. **Als voorzieningen voor stofafzuiging of stofopvang kunnen worden gemonteerd, controleer dan dat deze zijn aangesloten en op de juiste wijze worden gebruikt.** Het gebruik van stofafzuiging kan aan stof gerelateerde gevaren verminderen.
 - h. **Word niet gemakzuchtig doordat u door veelvuldig gebruik vertrouwd bent geraakt met het gereedschap, en verlies niet de veiligheidsbeginselen uit het oog.** Een onvoorzichtige handeling kan in een fractie van een seconde ernstig letsel tot gevolg hebben.
- 4. Gebruik en onderhoud van elektrisch gereedschap**
- a. **Overbelast het elektrisch gereedschap niet. Gebruik het juiste elektrisch gereedschap voor uw toepassing.** Met het juiste elektrisch gereedschap kunt u de werkzaamheden waarvoor het gereedschap is ontworpen, beter en veiliger uitvoeren.
 - b. **Gebruik het elektrisch gereedschap niet als de schakelaar niet goed werkt.**

Ieder elektrisch gereedschap dat niet met de schakelaar kan worden bediend, is gevaarlijk en moet worden gerepareerd.

- c. **Trek de stekker uit het stopcontact en/of de accu uit het elektrisch gereedschap voordat u het gereedschap instelt, accessoires wisselt of het elektrisch gereedschap opbergt.** Dergelijke preventieve veiligheidsmaatregelen verminderen het risico dat het elektrisch gereedschap per ongeluk wordt gestart.
- d. **Bewaar elektrisch gereedschap dat niet wordt gebruikt, buiten bereik van kinderen. Laat niet personen die er niet vertrouwd mee zijn en deze aanwijzingen niet hebben gelezen met het gereedschap werken.**

Elektrisch gereedschap is gevaarlijk in handen van ongetrainde gebruikers.

- e. **Onderhoud elektrisch gereedschap en accessoires goed. Controleer dat bewegende delen van het elektrisch gereedschap wel goed functioneren en niet klemmen, en dat er niet onderdelen zodanig zijn gebroken of beschadigd dat de werking van het gereedschap nadelig wordt beïnvloed. Laat het gereedschap voor gebruik repareren als het beschadigd is.** Veel ongelukken worden veroorzaakt door slecht onderhouden elektrisch gereedschap.
- f. **Houd zaag- en snijgereedschap scherp en schoon.** Goed onderhouden zaaggereedschap met scherpe snijvlakken loopt minder snel vast en is gemakkelijker onder controle te houden.
- g. **Gebruik elektrisch gereedschap, accessoires, zaagjes en boortjes, enz., volgens deze aanwijzingen. Let daarbij op de arbeidsomstandigheden en de uit te voeren werkzaamheden.** Gebruik van het elektrisch gereedschap voor werkzaamheden die anders zijn dan bedoeld, kan leiden tot een gevaarlijke situatie.
- h. **Houd de handgrepen droog, schoon en vrij van olie en vet.**

Gladde handgrepen en hellende oppervlakken maken het moeilijk het gereedschap veilig te hanteren en onder controle te houden in onverwachte situaties.

5. Service

- a. **Laat het gereedschap alleen repareren door gekwalificeerd en vakkundig personeel en alleen met originele vervangingsonderdelen.** De veiligheid van het gereedschap blijft dan gewaarborgd.

Aanvullende veiligheidswaarschuwingen voor elektrisch gereedschap



Waarschuwing! Aanvullende veiligheidswaarschuwingen voor schuurmachines.

- ◆ **Houd het elektrisch gereedschap vast bij de geïsoleerde handgrepen, omdat het schuuroppervlak in contact kan komen met het snoer.** Als een draad onder spanning wordt geraakt, komen onbedekte metalen onderdelen van het gereedschap onder spanning te staan en kunt u een elektrische schok krijgen.
- ◆ **Zet het werkstuk met klemmen of op een andere praktische manier vast en ondersteun het werkstuk op een stabiele ondergrond.** Wanneer u het werkstuk vasthoudt met de hand of het tegen uw lichaam gedrukt houdt, is het instabiel en kunt u de controle verliezen.
- ◆ **Waarschuwing! Contact met of inademing van het stof dat bij het schuren vrijkomt, kan de gezondheid van de gebruiker en omstanders schaden.** Draag een stofmasker dat speciaal is ontworpen ter bescherming tegen stof en dampen, en zorg ervoor dat andere personen op de werkplek ook zijn beschermd.
- ◆ **Verwijder zorgvuldig alle stof na het schuren.**
- ◆ **Neem speciale maatregelen bij het schuren van verf die mogelijk een loodbasis heeft of bij het schuren van bepaalde hout- en metaalsoorten die mogelijk giftige stoffen produceren:**
 - ◆ **Laat kinderen of zwangere vrouwen niet toe tot de werkplek.**
 - ◆ **Eet, drink of rook niet op de werkplek.**
 - ◆ **Verwijder stofdeeltjes en ander afval op veilige en verantwoorde wijze.**
- ◆ **Het bedoeld gebruik wordt beschreven in deze gebruiksaanwijzing.** Het gebruik van andere accessoires of hulpstukken of uitvoering van andere handelingen met dit gereedschap dan die in deze instructiehandleiding worden aanbevolen, kan leiden tot persoonlijk letsel en/of materiële schade.

Veiligheid van anderen

- ◆ Het is niet de bedoeling dat deze machine wordt gebruikt door personen (waaronder kinderen) met verminderde fysieke, zintuiglijke of psychische vermogens, of met een gebrek aan ervaring en kennis, tenzij onder toezicht van of met aanwijzingen over het gebruik van de machine door een persoon die verantwoordelijk is voor hun veiligheid.
- ◆ Houd toezicht op kinderen zodat zij niet met het apparaat kunnen spelen.

Overige risico's.

Er kunnen zich bij het gebruik van dit gereedschap nog meer risico's voordoen, die mogelijk niet in de bijgesloten veiligheidswaarschuwingen worden beschreven. Deze risico's kunnen zich voordoen door onoordeelkundig gebruik, langdurig gebruik, enz. Zelfs wanneer de veiligheidsvoorschriften in acht worden genomen en de veiligheidsvoorzieningen worden gebruikt, kunnen bepaalde risico's niet worden uitgesloten.

Dit zijn onder meer:

- ◆ Verwondingen die worden veroorzaakt door het aanraken van draaiende of bewegende onderdelen.
- ◆ Verwondingen die worden veroorzaakt bij het vervangen van onderdelen, zaagbladen of accessoires.
- ◆ Verwondingen die worden veroorzaakt door langdurig gebruik van gereedschap. Wanneer u langere periodes met gereedschap werkt, kunt u het beste regelmatig een pauze nemen.
- ◆ Gehoorbeschadiging.
- ◆ Gezondheidsrisico's door het inademen van stof dat vrijkomt tijdens het gebruik van uw gereedschap (bijvoorbeeld: het werken met hout, met name eiken, beuken en MDF).

Trillingen

De aangegeven waarden voor trillingsemissie in de technische gegevens en de conformiteitsverklaring, zijn gemeten volgens een standaardtestmethode die door EN62841 wordt verstrekt en door middel waarvan het ene gereedschap met het andere wordt vergeleken. De aangegeven waarde voor trillingsemissie kan ook worden gebruikt bij een voorlopige bepaling van blootstelling.

Waarschuwing! De waarde voor trillingsemissie tijdens het werkelijke gebruik van het elektrisch gereedschap kan verschillen van de aangegeven waarde afhankelijk van de manieren waarop het gereedschap wordt gebruikt. Het trillingsniveau kan toenemen tot boven het aangegeven niveau.

Bij beoordeling van de blootstelling aan trillingen met het doel vast te stellen welke veiligheidsmaatregelen 2002/44/EG vereist ter bescherming van personen die tijdens hun werk regelmatig elektrisch gereedschap gebruiken, moet bij een inschatting van de blootstelling aan trillingen rekening worden gehouden met de werkelijke gebruiksomstandigheden en de manier waarop het gereedschap wordt gebruikt. Daarbij moet ook rekening worden gehouden met alle onderdelen van de bedrijfscyclus, zoals wanneer het gereedschap wordt uitgeschakeld en wanneer het gereedschap stationair loopt en ook de aanlooptijd.

Etiketten op het gereedschap

Behalve van de datumcode is het gereedschap voorzien van de volgende symbolen:



Waarschuwing! De gebruiker moet de instructiehandleiding lezen zodat het risico van letsel wordt beperkt.

Elektrische veiligheid



Dit gereedschap is dubbel geïsoleerd, daarom is een aardeaansluiting niet vereist. Controleer altijd dat de stroomvoorziening overeenkomt met de voltagetypeplaatje.

- ◆ Als het netsnoer moet worden vervangen, moet dit, om ongelukken te voorkomen, worden gedaan door de fabrikant of in een officieel Stanley FatMax-servicecentrum, zodat de veiligheid van de gebruiker niet in gevaar komt.

Functies

Dit gereedschap is voorzien van enkele of alle van de volgende functies.

1. Aan/Uit-schakelaar
2. Knop voor vergrendeling in de Aan-stand
3. Schuurzool
4. Papierklemhendel
5. Regelknop voor variabele snelheid
6. Stofreservoir

Montage

Waarschuwing! Controleer voor de montage dat het gereedschap is uitgeschakeld en de stekker niet in het stopcontact zit.

Vellen schuurpapier plaatsen (afb. A, B, C, D)

Waarschuwing! Gebruik het gereedschap nooit zonder dat er schuurpapier of accessoires zijn geplaatst.

Schuurpapier met nylon lussen plaatsen (afb. A)

- ◆ Controleer dat de machine is uitgeschakeld en de stekker niet in het stopcontact zit.
- ◆ Druk het vel schuurpapier stevig en gelijkmatig op de schuurzool(3).

Standaardvellen schuurpapier plaatsen (afb. B, C, D)

- ◆ Controleer dat de machine is uitgeschakeld en de stekker niet in het stopcontact zit.
- ◆ Maak het vel schuurpapier soepeler door het met de gladde kant langs de rand van een werkbank te wrijven.
- ◆ Druk de papierklemhendels (4) naar boven zodat ze uit de opsluitgroeven losraken en open de papierklemmen door ze naar beneden te drukken (afb. B).
- ◆ Plaats het papier op de schuurzool (3) (afb. C).
- ◆ Steek de rand van het schuurpapier in de voorste papierklem zoals wordt getoond (afb. D).
- ◆ Druk de voorste papierklemhendel (4) omlaag en zet deze vast in de opsluitgroef.
- ◆ Steek, terwijl u het papier licht blijft aandrukken, de achterste rand van het papier in de papierklem aan de achterzijde.
- ◆ Druk de achterste papierklemhendel (4) omlaag en zet deze vast in de opsluitgroef.

Het stofreservoir plaatsen en verwijderen (afb. E)

- ◆ Plaats het stofreservoir (6) op de opening voor de stofafzuiging (7).

- ◆ Schuif het stofreservoir op het gereedschap en controleer dat het stevig op z'n plaats zit.
- ◆ Trek het stofreservoir, als u het wilt verwijderen, naar achteren en los van de opening.

Gebruik van het apparaat

Waarschuwing! Laat het gereedschap op z'n eigen snelheid werken. Overbelast het gereedschap niet.

Waarschuwing! Dek tijdens het gebruik van het gereedschap de ventilatieopeningen niet af. Zorg ervoor dat de schuurzool vlak op het werkstuk rust.

Variabele snelheidsregeling

Met de variabele snelheidsregeling kunt u de snelheid van het gereedschap aanpassen aan de toepassing.

- ◆ Stel de regelknop (5) in op de gewenste stand. Gebruik een hoge snelheid voor hout, een gemiddelde snelheid voor finer en synthetische materialen en een lage snelheid voor plexiglas, non-ferrometalen en het verwijderen van verflagen

In- en uitschakelen (afb. F)

- ◆ Schakel het gereedschap in door op de aan/uit-schakelaar (1) te drukken.
- ◆ U kunt het gereedschap ononderbroken laten werken door de knop (2) voor vergrendeling in de aan-stand in te drukken en de aan/uit-schakelaar los te laten.
- ◆ U schakelt het gereedschap uit door de aan/uit-schakelaar los te laten. U schakelt het gereedschap uit door in de ononderbroken stand de aan/uit-schakelaar weer kort in te drukken.

Het stofreservoir leegmaken

Het stofreservoir (2) moet na elke tien minuten gebruik worden leeggemaakt.

- ◆ Trek het stofreservoir (6) naar achteren en van het gereedschap, weg van de aansluitpoort.
- ◆ Schud het stofreservoir leeg in een geschikte afvalbak en zet het weer op het gereedschap.

Tips voor optimaal gebruik

- ◆ U kunt het gereedschap met één of met twee handen bedienen, wat u het meest comfortabel vindt (afb. G, H, I). Plaats niet uw handen op de ventilatieopeningen.
- ◆ Oefen niet te veel druk uit op het gereedschap.
- ◆ Controleer regelmatig de staat van het schuurpapier. Vervang het wanneer dat nodig is.
- ◆ Schuur altijd in de richting van de houtnerf.
- ◆ Schuur nieuwe verflagen met een extra fijne korrel voordat u een volgende verflaag aanbrengt.
- ◆ Begin op zeer oneffen oppervlakken of bij het verwijderen van verflagen met een grove korrel. Begin op andere oppervlakken met middelgrof schuurpapier.

Ga in beide gevallen geleidelijk over op een fijne korrel voor een glادة afwerking.

- ◆ Vraag uw detailhandel informatie over de verkrijgbare accessoires.

Onderhoud

Het Stanley® Fatmax®-gereedschap is ontworpen om gedurende langere periode te functioneren met een minimum aan onderhoud. Het continu naar tevredenheid functioneren hangt af van de juiste zorg voor het gereedschap en regelmatig schoonmaken.

Waarschuwing! Trek voordat u onderhoud aan het gereedschap uitvoert, of deze reinigt, de stekker van de lader uit het stopcontact.

- ◆ Maak de ventilatieopeningen van uw gereedschap regelmatig schoon met een zachte borstel of een droge doek.
- ◆ Reinig de behuizing van de motor regelmatig met een vochtige doek. Gebruik niet een schurend schoonmaakmiddel of een schoonmaakmiddel op basis van een oplosmiddel.

Netstekker vervangen (alleen VK en Ierland)

Als er een nieuwe netstekker moet worden gemonteerd:

- ◆ Gooi de oude stekker op verantwoorde wijze weg.
- ◆ Sluit de bruine draad aan op de spanningvoerende pool in de nieuwe stekker.
- ◆ Sluit de blauwe draad op de niet-spanningvoerende pool.

Waarschuwing! Er moet geen verbinding tot stand worden gebracht met de aardeaansluiting.

Volg de montage-instructies die bij stekkers van goede kwaliteit worden geleverd.

Aanbevolen zekering: 5 A.

Het milieu beschermen



Gescheiden afvalinzameling. Producten en accu's waarop dit symbool is aangebracht, mogen niet bij het normale huishoudafval worden weggegooid.

Producten en accu's bevatten materialen die kunnen worden teruggewonnen of gerecycled en dat doet de vraag naar grondstoffen afnemen.

Recycle elektrische producten en accu's volgens de ter plaatse geldende bepalingen. Nadere informatie is beschikbaar op

www.2helpU.com.

Technische gegevens

		KFFMEW210	FMEW214
Ingangsspanning	V _{AC}	230	230
Vermogen	W	280	280
Trillingen (onbelast)	min ⁻¹	24000	24000

		KFFMEW210	FMEW214
Omlopen (onbelast)	min ⁻¹	12000	12000
Oppervlak schuurzool	mm	187 x 90	187 x 90
Gewicht	kg	2.0	2.0

Geluidsrukniveau, volgens EN 62841:

KFFMEW210 Geluidsdruk (L_{pA}) 85 dB(A), onzekerheid (K) 3 dB(A)

FMEW214 Geluidsdruk (L_{pA}) 85 dB(A), onzekerheid (K) 3 dB(A)

KFFMEW210 Geluidsvermogen (L_{WA}) 96 dB(A), onzekerheid (K) 3 dB(A)

FMEW214 Geluidsvermogen (L_{WA}) 96 dB(A), onzekerheid (K) 3 dB(A)

Totale trillingswaarden (som triaxvector) volgens EN 62841:

KFFMEW210 (a_w) 6 m/s², onzekerheid (K) 1,5 m/s²

FMEW214 (a_w) 6 m/s², onzekerheid (K) 1,5 m/s²

EG conformiteitsverklaring

RICHTLIJN VOOR MACHINES



KFFMEW210, FMEW214 Schuurmachine

Stanley Europe verklaart dat deze producten, beschreven onder "Technische gegevens", voldoen aan: 2006/42/EC, EN62841-1:2015, EN62841-2-4:2014.

Deze producten voldoen ook aan richtlijn 2014/30/EU en 2011/65/EU. Neem voor meer informatie contact op met Stanley Europe op het volgende adres of raadpleeg de achterzijde van de handleiding.

Ondergetekende is verantwoordelijk voor de compilatie van het technische bestand en geeft deze verklaring namens Stanley® Fatmax®.

R. Laverick

Technisch Directeur

Stanley Europe, Egide Walschaertsstraat 14-18,
2800 Mechelen, België
28/08/2018

Garantie

Stanley® Fatmax® heeft vertrouwen in zijn producten en biedt consumenten een garantie van 12 maanden vanaf de datum van aankoop. Deze garantie vormt een aanvulling op uw wettelijke rechten en beperken deze niet. De garantie is geldig op het grondgebied van de Lidstaten van de Europese Unie en de Europese Vrijhandelszone.

Voor een garantie-aanspraak moet uw aanspraak in overeenstemming zijn met de Voorwaarden en Condities van Stanley® Fatmax® en moet u een bewijs van aankoop overleggen aan de verkoper of aan een geautoriseerde reparatiemonteur.

Voorwaarden en condities van de 1-jarige garantie van Stanley® Fatmax® en het adres van de vestiging van de geautoriseerde reparatiemonteur bij u in de buurt, kunt u vinden op internet op www.2helpU.com, of door contact op te nemen met het Stanley® Fatmax®-kantoor ter plaatse op het adres dat in deze handleiding wordt vermeld.

Bezoek onze website www.stanley.eu/3, waar u uw nieuwe Stanley® Fatmax®-product kunt registreren en informatie kunt vinden over nieuwe producten en speciale aanbiedingen.

(Traducción de las instrucciones originales)

Useo previsto

Sus lijadoras FMEW214, KFFMEW210 Stanley Fat Max se han diseñado para lijar madera, plástico y superficies pintadas. Estas herramientas se han concebido para usuarios profesionales y para usuarios no profesionales particulares.

Instrucciones de seguridad

Advertencias de seguridad generales para herramientas eléctricas



¡Advertencia! Lea todas las advertencias de seguridad, instrucciones, ilustraciones y especificaciones suministradas con esta herramienta eléctrica. En caso de no atenerse a las siguientes advertencias e instrucciones de seguridad, podría producirse una descarga eléctrica, incendio o lesión grave.

Guarde todas las advertencias e instrucciones para futuras consultas. El término "herramienta eléctrica" empleado en las advertencias a continuación hace referencia a la herramienta eléctrica con alimentación de red (con cable) o alimentada por batería (sin cable).

1. **Seguridad del área de trabajo**
 - a. **Mantenga limpia y bien iluminada el área de trabajo.** Las áreas en desorden u oscuras pueden provocar accidentes.
 - b. **No utilice herramientas eléctricas en entornos con peligro de explosión, como aquellos en los que haya líquidos, gases o polvos inflamables.** Las herramientas eléctricas originan chispas que pueden inflamar el polvo o los gases.
 - c. **Mantenga alejados a los niños y otras personas del área de trabajo al emplear la herramienta eléctrica.** Las distracciones pueden hacer que pierda el control de la herramienta.

2. Seguridad eléctrica

- a. **El enchufe de la herramienta eléctrica debe corresponder a la toma de corriente.**

- No modifique nunca el enchufe de ninguna forma. No utilice ningún enchufe adaptador con las herramientas eléctricas conectadas a tierra (puesta a masa).** Los enchufes no modificados y las tomas de corriente compatibles reducen el riesgo de descarga eléctrica.
- b. **Evite que su cuerpo toque partes conectadas o puestas a tierra tales como tuberías, radiadores, cocinas y refrigeradores.** Existe un mayor riesgo de descarga eléctrica si su propio cuerpo está conectado a tierra.
 - c. **No exponga las herramientas eléctricas a la lluvia y a la humedad.** La entrada de agua en una herramienta eléctrica aumenta el riesgo de descarga eléctrica.
 - d. **Cuide el cable de alimentación. No use nunca el cable para transportar, tirar de la herramienta eléctrica o desenchufarla. Mantenga el cable alejado del calor, aceite, bordes afilados y piezas en movimiento.** Los cables dañados o enredados aumentan el riesgo de descarga eléctrica.
 - e. **Al trabajar con la herramienta eléctrica en la intemperie utilice solamente cables de prolongación homologados para su uso en exteriores.** La utilización de un cable adecuado para el uso en exteriores reduce el riesgo de descarga eléctrica.
 - f. **Si la utilización de una herramienta eléctrica en un lugar húmedo es inevitable, utilice una fuente protegida con un dispositivo de corriente residual (DCR).** El uso de un DCR reduce el riesgo de descarga eléctrica.
3. **Seguridad personal**
 - a. **Esté atento a lo que hace y emplee la herramienta eléctrica con prudencia. No maneje una herramienta eléctrica cuando esté cansado o bajo los efectos de drogas, medicamentos o alcohol.** Un momento de falta de atención cuando se manejan las herramientas eléctricas puede ocasionar lesiones personales graves.
 - b. **Utilice un equipo de protección personal. Utilice siempre protección ocular.** El uso del equipo protector como mascarillas antipolvo, calzado antideslizante, casco o protección auditiva para condiciones apropiadas reducirá las lesiones personales.
 - c. **Impida que la herramienta se ponga en marcha accidentalmente. Asegúrese de que el interruptor se encuentre en la posición de apagado antes de conectar la herramienta a la fuente de alimentación o a la batería, o de coger o transportar la herramienta.** Transportar herramientas eléctricas con el dedo puesto en el interruptor o herramientas eléctricas activadoras que tengan el interruptor encendido puede provocar accidentes.
 - d. **Retire las herramientas de ajuste o llaves fijas antes de encender la herramienta eléctrica.** Dejar una llave inglesa u otra llave puesta en una pieza en movimiento de la herramienta eléctrica puede ocasionar lesiones personales.
 - e. **Sea precavido. Mantenga un equilibrio adecuado y la estabilidad constantemente.** Esto permite un mejor control de la herramienta eléctrica en situaciones inesperadas.
 - f. **Lleve puesta una vestimenta de trabajo adecuada. No se ponga ropa suelta o joyas. Mantenga el cabello, la ropa y los guantes alejados de las piezas en movimiento.** La ropa suelta, las joyas y el pelo largo pueden quedar atrapados en las piezas en movimiento.
 - g. **Siempre que sea posible utilizar unos equipos de aspiración o captación de polvo, asegúrese de que estén montados y de se utilicen correctamente.** El uso de equipo de recogida de polvo puede reducir los riesgos relacionados con el polvo.
 - h. **Evite que la familiaridad adquirida con el uso frecuente de las herramientas le haga confiarse demasiado e ignorar las normas de seguridad de las herramientas.** Un descuido puede causar lesiones graves en una fracción de segundo.
 4. **Uso y cuidado de herramientas eléctricas**
 - a. **No sobrecargue la herramienta eléctrica. Use la herramienta eléctrica correcta para su trabajo.** La herramienta eléctrica correcta funcionará mejor y con mayor seguridad si se utiliza de acuerdo con sus características técnicas.
 - b. **No utilice la herramienta eléctrica si no se puede encender y apagar con el interruptor.** Toda herramienta eléctrica que no pueda controlarse con el interruptor es peligrosa y debe ser reparada.
 - c. **Desconecte el enchufe de la herramienta eléctrica de la fuente de alimentación y/o la batería antes de realizar cualquier ajuste, cambiar accesorios o guardar la herramienta.** Dichas medidas de seguridad preventivas reducen el riesgo de poner en marcha accidentalmente la herramienta eléctrica.
 - d. **Guarde las herramientas eléctricas fuera del alcance de los niños y no permita que la utilicen las personas no familiarizadas con su uso o con estas instrucciones.** Las herramientas eléctricas son peligrosas en manos de personas no capacitadas.
 - e. **Realice el mantenimiento de sus herramientas eléctricas y accesorios. Compruebe que las piezas móviles no estén desalineadas ni atascadas, que no haya piezas rotas y cualquier otra condición que pudiera afectar al funcionamiento de la herramienta eléctrica.**

Si la herramienta eléctrica está dañada, llévela para que sea reparada antes de utilizarla. Se ocasionan muchos accidentes por el mal mantenimiento de las herramientas eléctricas.

f. **Mantenga las herramientas de corte limpias y afiladas.**

Hay menos probabilidad de que las herramientas de cortar con bordes afilados se bloqueen, y son más fáciles de controlar.

g. **Utilice la herramienta eléctrica, los accesorios, los útiles de la herramienta, etc. de acuerdo con estas instrucciones, y tenga en cuenta las condiciones de trabajo y la tarea que va a realizar.**

El uso de la herramienta eléctrica para operaciones que no sean las previstas puede ocasionar una situación peligrosa.

h. **Mantenga las empuñaduras y superficies de agarre secas, limpias y libres de aceite y grasa.**

Las empuñaduras resbalosas y las superficies engrasadas impiden aferrar y controlar la herramienta en situaciones imprevistas.

5. **Reparaciones**

a. **Esta herramienta eléctrica solo la puede reparar personal técnico autorizado que emplee exclusivamente piezas de repuesto originales.**

Así se asegurará que se mantenga la seguridad de la herramienta eléctrica.

Advertencias de seguridad adicionales para herramientas eléctricas



¡Advertencia! Advertencias de seguridad adicionales para lijadoras

◆ **Sostenga la herramienta eléctrica por las partes de agarre aisladas pues la superficie de lijado puede entrar en contacto con el cable de la herramienta.**

Cortar un cable con tensión puede transmitir dicha tensión a las partes metálicas expuestas de la herramienta eléctrica y producir una descarga eléctrica al operador.

◆ **Utilice fijaciones o cualquier otro método para fijar y apoyar la pieza de trabajo en una plataforma estable.**

Si sostiene la pieza de trabajo con las manos o con su cuerpo, esta estará inestable y podrá hacer que usted pierda el control.

◆ **¡Advertencia! El contacto o la inhalación del polvo procedente de las aplicaciones de la lijadora puede suponer un peligro para la salud del usuario y de cualquier otra persona que se encuentre a su alrededor.**

Utilice una mascarilla antipolvo diseñada específicamente para proteger contra el polvo y los vapores y asegúrese de que las demás personas que se encuentren dentro del área de trabajo o que vayan a entrar en ella también estén protegidas.

◆ **Elimine a fondo todo el polvo después de lijar.**

◆ **Tenga especial cuidado cuando lije pinturas con posible contenido de plomo o algunos tipos de maderas y metales que puedan producir polvo tóxico:**

- ◆ **No permita la entrada de niños ni de mujeres embarazadas en el área de trabajo.**
- ◆ **No coma, beba ni fume en el área de trabajo.**
- ◆ **Deshágase de las partículas de polvo y demás residuos de un modo seguro.**

◆ **En este manual de instrucciones se describe el uso previsto.**

La utilización de accesorios o dispositivos auxiliares o la realización de operaciones distintas a las recomendadas en este manual de instrucciones para esta herramienta pueden causar lesiones corporales y/o daños materiales.

Seguridad de otras personas

- ◆ Este aparato no está destinado al uso por parte de personas (incluyendo los niños) con capacidades físicas, sensoriales o mentales reducidas, o que carezcan de experiencia o del conocimiento necesario, a menos que estén supervisadas o reciban las instrucciones relativas al uso del aparato por una persona encargada de su seguridad.
- ◆ Los niños deben estar siempre vigilados para asegurarse de que no juegan con el aparato.

Riesgos residuales.

El uso de esta herramienta puede producir riesgos residuales adicionales no incluidos en las advertencias de seguridad adjuntas. Estos riesgos se pueden generar por un uso incorrecto, demasiado prolongado, etc.

El cumplimiento de las normas de seguridad correspondientes y el uso de dispositivos de seguridad no evitan ciertos riesgos residuales. Dichos riesgos incluyen:

- ◆ Lesiones producidas por el contacto con piezas móviles o giratorias.
- ◆ Lesiones causadas al cambiar piezas, hojas o accesorios.
- ◆ Lesiones causadas por el uso prolongado de una herramienta. Si utiliza una herramienta durante períodos de tiempo demasiado prolongados, asegúrese de realizar pausas con frecuencia.
- ◆ Deterioro auditivo.
- ◆ Riesgos para la salud causados por la respiración del polvo generado por el uso de la herramienta (por ejemplo, al trabajar con madera, especialmente roble, haya, tablero semiduro de fibras y cuarzo en polvo de hormigón).

Vibración

Los valores de emisión de vibraciones declarados en el apartado de características técnicas y en la declaración de conformidad se han calculado según un método de prueba estándar proporcionado por la norma EN62841 y pueden utilizarse para comparar una herramienta con otra.

El valor de emisión de vibraciones especificado también puede utilizarse en una evaluación preliminar de la exposición.

¡Advertencia! El valor de emisión de vibraciones durante el funcionamiento real de la herramienta eléctrica puede diferir del valor declarado en función de cómo se utilice dicha herramienta. El nivel de las vibraciones puede aumentar por encima del nivel declarado.

Al evaluar la exposición a las vibraciones con el fin de determinar las medidas de seguridad que exige la directiva 2002/44/CE para proteger a las personas que utilizan periódicamente herramientas eléctricas en el entorno laboral, deberá tenerse en cuenta una estimación de la exposición a las vibraciones, las condiciones de uso reales y el modo de empleo de la herramienta, así como los pasos del ciclo operativo como, por ejemplo, el número de veces que la herramienta se apaga, el tiempo que está parada y el tiempo de activación.

Etiquetas en la herramienta

Junto con el código de la fecha, en la herramienta aparecen los siguientes símbolos:



¡Advertencia! Para reducir el riesgo de lesiones, el usuario debe leer el manual de instrucciones.

Seguridad eléctrica



Esta herramienta lleva un doble aislamiento; por lo tanto, no requiere una toma de tierra. Compruebe siempre que el voltaje suministrado corresponda al indicado en la placa de características.

- ◆ En caso de que el cable de alimentación deba sustituirse, para evitar peligros de seguridad, deberá encargarse de ello el fabricante o un centro de reparaciones Stanley FatMax autorizado.

Características

Esta herramienta incluye parte o la totalidad de estas características.

1. Interruptor de encendido/apagado
2. Botón de funcionamiento continuo
3. Base de lijado
4. Palanca de la pinza de papel
5. Selector de control de velocidad variable
6. Recolector de polvo

Montaje

¡Advertencia! Antes del montaje, compruebe que la herramienta esté apagada y desenchufada.

Montaje de las hojas de lija (Figs. A, B, C)

¡Advertencia! No use nunca la herramienta sin la hoja de lija o el accesorio colocado.

Montaje de las hojas de lija con correas de nailon (fig. A)

- ◆ Compruebe que la herramienta se encuentra apagada y desenchufada.
- ◆ Presione la hoja de manera firme y uniforme sobre la base de lijado (3).

Montaje de las hojas de lija normales (Figs. A, B, C)

- ◆ Compruebe que la herramienta se encuentra apagada y desenchufada.
- ◆ Ablande la hoja de lija frotando su parte no abrasiva contra el borde de una encimera.
- ◆ Presione las palancas de las pinzas de papel (4) hacia arriba para extraerlas de las ranuras de sujeción y abra las pinzas de papel presionándolas hacia abajo (fig. B).
- ◆ Coloque la hoja sobre la base de lijado (3) (fig. C).
- ◆ Inserte el borde de la hoja de lija en la parte delantera de la pinza de papel tal y como se indica (fig. D).
- ◆ Presione la palanca de la pinza de papel (4) hacia abajo y colóquela en la ranura de sujeción.
- ◆ A la vez que tira de la hoja para tensarla, inserte el filo trasero de la hoja en la pinza de papel trasera.
- ◆ Presione la palanca de la pinza de papel trasera (4) hacia abajo y colóquela en la ranura de sujeción.

Inserción y extracción del recolector de polvo (Fig. E)

- ◆ Monte el recolector de polvo (6) sobre la salida de aspiración de polvo (7).
- ◆ Deslice el recolector de polvo en la herramienta y compruebe que queda correctamente ajustada.
- ◆ Para desmontar el recolector de polvo, tire de él hacia atrás y hacia fuera de la salida.

Uso

¡Advertencia! Deje que la herramienta funcione a su ritmo. No la sobrecargue.

¡Advertencia! No cubra las ranuras de ventilación cuando use la herramienta. Asegúrese de que la base de lijado esté plana en la pieza de trabajo.

Control de la velocidad variable

El control de la velocidad variable permite adaptar la velocidad de la herramienta al material de la pieza de trabajo.

- ◆ Ajuste el selector de control (5) a la altura deseada. Utilice la velocidad alta para madera, la media para chapa y materiales sintéticos y la baja para cristales acrílicos, y para extraer pinturas.

Encendido y apagado (Fig. F)

- ◆ Para encender la herramienta, pulse el interruptor de encendido/apagado (1).
- ◆ Para un funcionamiento continuo, pulse el botón de bloqueo (2) y suelte el botón de encendido/apagado.
- ◆ Para apagar la herramienta, suelte el botón de encendido/apagado. Para apagar la herramienta mientras esté activado el funcionamiento continuo, pulse el botón de encendido/apagado una vez más y suéltelo.

Vaciado del recolector de polvo

El recolector de polvo (2) deber vaciarse al cabo de diez minutos de uso.

- ◆ Tire hacia atrás del recolector de polvo (6) y desconecte la herramienta del puerto de conexión.
- ◆ Vacíelo en un recipiente adecuado y vuelva a colocarlo en la herramienta.

Consejos para un uso óptimo

- ◆ Para mayor comodidad, la herramienta se puede utilizar con una o dos manos (figs. G, H, I). No coloque las manos sobre las ranuras de ventilación.
- ◆ No ejerza demasiada presión sobre la herramienta.
- ◆ Compruebe periódicamente el estado de la hoja de lija. Sustitúyala cuando sea necesario.
- ◆ Lije siempre en el sentido de la veta de la madera.
- ◆ Para lijar capas de pintura nuevas antes de aplicar otra capa, utilice un papel de lija de grano extrafino.
- ◆ En superficies muy desiguales o cuando vaya a quitar capas de pintura, comience con un papel de lija de grano grueso. Sobre otras superficies, comience con un papel de lija de grano medio. En ambos casos, cambie gradualmente a un papel de lija de grano fino para lograr un buen acabado.
- ◆ Consulte a su proveedor para obtener más información sobre los accesorios disponibles.

Mantenimiento

La herramienta de Stanley Fat Max se ha diseñado para que funcione durante un largo período de tiempo con un mantenimiento mínimo. El funcionamiento satisfactorio y continuo depende del buen cuidado de la herramienta y de una limpieza frecuente.

¡Advertencia! Antes de realizar el mantenimiento de la herramienta, desconecte el cargador antes de limpiarla.

- ◆ Limpie periódicamente las ranuras de ventilación de la herramienta con un cepillo suave o un paño seco.
- ◆ Limpie periódicamente la carcasa del motor con un paño húmedo. No utilice limpiadores abrasivos o a base de disolventes.

Sustitución del enchufe de alimentación principal (solo Irlanda y Reino Unido)

Si debe colocar un nuevo enchufe de red:

- ◆ Deseche el enchufe viejo según las normas de seguridad.
- ◆ Conecte el cable marrón al terminal conductor del nuevo enchufe.
- ◆ Conecte el cable azul al terminal neutro.

¡Advertencia! No deberá realizar ninguna conexión al terminal de tierra.

Siga las instrucciones de colocación suministradas con los enchufes de buena calidad.

Fusible recomendado: 5 A.

Protección del medio ambiente



Recogida selectiva. Los productos y las baterías marcadas con este símbolo no se deben eliminar con los residuos domésticos normales.

Los productos y las baterías que contienen materiales que se puedan recuperar o reciclar reducen la demanda de materias primas.

Recicle los productos eléctricos y las baterías de conformidad con la normativa local. Puede obtener más información en www.2helpU.com

Datos técnicos

		KFFMEW210	FMEW214
Voltaje de entrada	V_{CA}	230	230
Potencia de entrada	W	280	280
Oscilaciones (sin carga)	min^{-1}	24000	24000
Órbitas (sin carga)	min^{-1}	12000	12000
Superficie de la base de lijado	mm	187 x 90	187 x 90
Peso	kg	2.0	2.0

Nivel de presión acústica según EN 62841:

KFFMEW210 Presión acústica (L_{pA}) 85 dB(A), incertidumbre (K) 3 dB(A)
 FMEW214 Presión acústica (L_{pA}) 85 dB(A), incertidumbre (K) 3 dB(A)

KFFMEW210 Potencia acústica (L_{WA}) 96 dB(A), incertidumbre (K) 3 dB(A)
 FMEW214 Potencia acústica (L_{WA}) 96 dB(A), incertidumbre (K) 3 dB(A)

Valores totales de vibración (suma vectorial triaxial) de acuerdo con la directiva EN 62841:

KFFMEW210 (a_v) 6 m/s², incertidumbre (K) 1,5 m/s²

FMEW214 (a_v) 6 m/s², incertidumbre (K) 1,5 m/s²

Declaración de conformidad CE DIRECTIVA DE MÁQUINAS



Stanley Europe declara que los productos descritos en la "ficha técnica" cumplen con las siguientes directrices: 2006/42/CE, EN62841-1:2015, EN62841-2-4:2014.

Estos productos también cumplen las Directivas 2014/30/UE y 2011/65/UE. Si desea obtener más información, póngase en contacto con Stanley Europe a través de la siguiente dirección o consulte el dorso del manual.

El que suscribe es responsable de la compilación del archivo técnico y realiza esta declaración en nombre de Stanley FatMax.



R. Laverick
Director de ingeniería
Stanley Europe, Egide Walschaertsstraat 14-18,
2800 Mechelen, Bélgica
28/08/2018

Garantía

Stanley Fat Max confía en la calidad de sus productos y ofrece a los consumidores una garantía de 12 meses a partir de la fecha de compra. Esta garantía es adicional a sus derechos legales y no los menoscaba en modo alguno. La garantía es válida dentro de los territorios de los Estados Miembros de la Unión Europea y del Área de Libre Comercio Europea.

Para reclamar la garantía, la reclamación se deberá presentar de conformidad con las condiciones de Stanley FatMax, y se deberá presentar el justificante de compra al vendedor o al agente técnico autorizado.

Las condiciones de la garantía de 1 años de Stanley FatMax y la ubicación de su agente técnico autorizado más cercano se pueden obtener en Internet en www.2helpU.com o poniéndose en contacto con su oficina local de Stanley FatMax en la dirección que se indica en este manual. Visite nuestro sitio web www.stanley.eu/3 para registrar su nuevo producto FatMax y recibir noticias sobre nuevos productos y ofertas especiales.

Utilização pretendida

As lixadeiras FMEW214, KFFMEW210 Stanley Fat Max foram concebidas para lixar madeira, plástico e superfícies pintadas. Estas ferramentas destinam-se a utilização profissional bem como a utilizadores privados não profissionais.

Instruções de segurança

Avisos de segurança gerais para ferramentas eléctricas



Atenção! Leia todos os avisos de segurança, instruções, ilustrações e especificações fornecidas com esta ferramenta elétrica. O não cumprimento dos seguintes avisos e instruções pode resultar em choque eléctrico, incêndio e/ou ferimentos graves.

Guarde todos os avisos e instruções para futura referência. A expressão "ferramenta eléctrica" utilizada a seguir refere-se a ferramentas eléctricas com ligação à corrente eléctrica (com cabo) ou com bateria (sem fios).

1. **Segurança na área de trabalho**
 - a. **Mantenha a área de trabalho limpa e bem iluminada.** As áreas desorganizadas ou escuras são propensas a acidentes.
 - b. **Não trabalhe com ferramentas eléctricas em áreas com risco de explosão, nas quais se encontrem líquidos, gases ou poeiras inflamáveis.** As ferramentas eléctricas criam faíscas que poderão inflamar estas poeiras ou vapores.
 - c. **Mantenha crianças e outras pessoas afastadas durante a utilização da ferramenta eléctrica.** As distrações podem levar à perda do controlo da ferramenta.
2. **Segurança eléctrica**
 - a. **As fichas da ferramenta eléctrica devem encaixar na tomada. Nunca modifique a ficha de forma alguma. Não utilize fichas adaptadoras com ferramentas eléctricas ligadas à terra.** As fichas não modificadas e as tomadas compatíveis reduzem o risco de choque eléctrico.
 - b. **Evite que o corpo entre em contacto com superfícies ligadas à terra, como tubos, radiadores, fogões e frigoríficos.** Se o seu corpo estiver "ligado" à terra, o risco de choque eléctrico é maior.
 - c. **As ferramentas eléctricas não podem ser expostas a chuva nem humidade.** A entrada de água numa ferramenta eléctrica aumenta o risco de choque eléctrico.
 - d. **Manuseie o cabo com cuidado. Nunca o utilize para transportar, puxar ou desligar a ferramenta eléctrica. Mantenha o cabo afastado de fontes de calor, substâncias oleosas, arestas afiadas ou peças móveis.** Os cabos danificados ou emaranhados aumentam o risco de choque eléctrico.
 - e. **Quando trabalhar com uma ferramenta eléctrica ao ar livre, utilize uma extensão adequada para esse fim.** A utilização de um cabo adequado para uso ao ar livre reduz o risco de choque eléctrico.

- f. **Se for inevitável trabalhar com uma ferramenta eléctrica num local húmido, utilize um dispositivo de corrente residual (RCD).** A utilização de um RCD reduz o risco de choque eléctrico.
3. **Segurança pessoal**
- a. **Mantenha-se atento, observe o que está a fazer e seja prudente quando trabalhar com a ferramenta eléctrica. Não utilize uma ferramenta eléctrica quando estiver cansado ou sob o efeito de drogas, álcool ou medicamentos.** Um momento de distração durante a utilização de ferramentas eléctricas pode resultar em ferimentos graves.
- b. **Utilize equipamento de protecção individual. Use sempre protecção ocular.** O equipamento de protecção, como, por exemplo, uma máscara contra o pó, sapatos de segurança antiderrapantes, um capacete de segurança ou uma protecção auditiva, usado nas condições apropriadas, reduz o risco de ferimentos.
- c. **Evite arranques involuntários. Certifique-se de que o botão está desligado antes de ligar a ferramenta à corrente eléctrica e/ou as baterias, e antes de levantar ou transportar a ferramenta.** Se mantiver o dedo sobre o interruptor ao transportar ferramentas eléctricas ou se as ligar à fonte de alimentação com o interruptor ligado, isso pode dar origem a acidentes.
- d. **Retire eventuais chaves de ajuste ou chaves de fendas antes de ligar a ferramenta eléctrica.** Uma chave de fenda ou de ajuste fixada numa peça rotativa da ferramenta eléctrica pode causar ferimentos.
- e. **Não tente chegar a pontos fora do alcance. Mantenha sempre os pés bem apoiados e um equilíbrio apropriado.** Desta forma, será mais fácil controlar a ferramenta eléctrica em situações inesperadas.
- f. **Use vestuário adequado. Não use roupa larga ou joias. Mantenha o cabelo, a roupa e as luvas afastados das peças móveis.** As roupas largas, as jóias ou o cabelo comprido podem ficar presos nestas peças.
- g. **Se for prevista a montagem de dispositivos de extracção e recolha de poeiras, assegure-se de que estão ligados e que são utilizados de forma correcta.** A utilização de dispositivos de extracção de partículas pode reduzir os riscos relacionados com as mesmas.
- h. **Não permita que o facto de estar familiarizado com a utilização frequente das ferramentas o torne complacente e ignore os princípios de segurança da ferramenta.** Uma acção irreflectida pode causar ferimentos numa fracção de segundos.
4. **Utilização e manutenção da ferramenta eléctrica**
- a. **Não sobrecarregue a ferramenta eléctrica. Utilize a ferramenta eléctrica correcta para o seu trabalho.**
- A ferramenta eléctrica adequada irá efectuar o trabalho de um modo mais eficiente e seguro se for utilizada de acordo com a capacidade para a qual foi concebida.
- b. **Não utilize a ferramenta eléctrica se o interruptor não puder ser ligado ou desligado.** Qualquer ferramenta eléctrica que não possa ser controlada através do interruptor de alimentação é perigosa e tem de ser reparada.
- c. **Desligue a ficha da tomada e/ou a bateria da ferramenta eléctrica antes de proceder a ajustes, trocar acessórios ou guardar ferramentas eléctricas.** Estas medidas de segurança preventivas reduzem o risco de ligar a ferramenta eléctrica acidentalmente.
- d. **Mantenha as ferramentas eléctricas que não estiverem a ser utilizadas fora do alcance das crianças. Não permita que a ferramenta eléctrica seja utilizada por pessoas não familiarizadas com a mesma ou que não tenham lido estas instruções.** As ferramentas eléctricas são perigosas nas mãos de pessoas que não possuam as qualificações necessárias para as manusear.
- e. **Proceda à manutenção das ferramentas eléctricas. Verifique se as partes móveis estão desalinhasadas ou bloqueadas, se existem peças partidas ou qualquer outra situação que possa afetar o funcionamento das ferramentas eléctricas. Se a ferramenta eléctrica estiver danificada, esta não deve ser utilizada até que seja reparada.** Muitos acidentes têm como principal causa ferramentas eléctricas com uma manutenção insuficiente.
- f. **Mantenha as ferramentas de corte afiadas e limpas.** As ferramentas de corte sujeitas a uma manutenção adequada, com arestas de corte afiadas, bloqueiam com menos frequência e controlam-se com maior facilidade.
- g. **Utilize a ferramenta eléctrica, os acessórios e as peças de ferramenta, etc., de acordo com estas instruções, considerando as condições de trabalho e a tarefa a ser executada.** A utilização da ferramenta eléctrica para fins diferentes dos previstos pode resultar em situações perigosas.
- h. **Mantenha os punhos e as pegas de fixação secos, limpos e sem qualquer óleo ou gordura.** Se o punho estiver escorregadio e as superfícies tiverem gordura, isso não permite um manuseamento e controlo seguros da ferramenta em situações inesperadas.
5. **Assistência**
- a. **A ferramenta eléctrica deve ser reparada por pessoal qualificado e só devem ser colocadas peças sobresselentes idênticas.** Desta forma, é garantida a segurança da ferramenta eléctrica.

Avisos de segurança adicionais para ferramentas eléctricas



Atenção! Avisos de segurança adicionais para lixadeiras

- ◆ **Segure a ferramenta eléctrica pelas superfícies de fixação isoladas, uma vez que o cortador pode entrar em contacto com o respectivo cabo.** Cortar um acessório em contacto com um cabo "electrificado" pode expor as peças metálicas do sistema eléctrico da ferramenta e provocar um choque eléctrico ao operador.
- ◆ **Utilize grampos ou outro sistema prático para apoiar e fixar a peça numa plataforma estável.** Segurar a peça com a mão ou contra o corpo pode causar instabilidade e perda de controlo.
- ◆ **Atenção! O contacto ou a inalação de poeiras originadas pelas aplicações da lixadeira pode colocar em perigo a saúde do operador ou das pessoas presentes.** Utilize uma máscara especificamente concebida para protecção contra poeiras e vapores e certifique-se de que as pessoas perto da área de trabalho também estão protegidas.
- ◆ **Remova completamente toda a poeira depois de terminar.**
- ◆ **Tenha especial atenção quando lixar tinta que possa conter chumbo ou algumas madeiras e metais que possam produzir poeiras tóxicas:**
 - ◆ Não permita que crianças ou mulheres grávidas entrem na área de trabalho.
 - ◆ Não coma, beba ou fume na área de trabalho.
 - ◆ Elimine as partículas de poeira e outros detritos de forma segura.
- ◆ **A utilização pretendida está descrita neste manual de instruções.**

A utilização de qualquer acessório ou a realização de qualquer operação com esta ferramenta que não se inclua no presente manual de instruções pode representar um risco de ferimentos e/ou danos materiais.

Segurança de terceiros

- ◆ Este equipamento não deve ser utilizado por pessoas (incluindo crianças) com capacidades físicas, sensoriais ou mentais reduzidas ou com falta de experiência e conhecimentos, a menos que sejam acompanhadas ou tenham recebido formação ou instruções sobre a utilização deste equipamento por uma pessoa responsável pela respectiva segurança.
- ◆ As crianças devem ser vigiadas para garantir que não mexem no equipamento.

Riscos residuais.

Podem surgir riscos residuais adicionais durante a utilização da ferramenta, que poderão não constar nos avisos de segurança incluídos. Estes riscos podem resultar de má utilização, uso prolongado, etc.

Mesmo com o cumprimento dos regulamentos de segurança relevantes e a implementação de dispositivos de segurança, alguns riscos residuais não podem ser evitados. Estes incluem:

- ◆ Ferimentos causados pelo contacto com peças em rotação/movimento.
- ◆ Ferimentos causados durante a substituição de peças, lâminas ou acessórios.
- ◆ Ferimentos causados pela utilização prolongada de uma ferramenta. Se utilizar uma ferramenta durante períodos prolongados, certifique-se de que faz pausas regularmente.
- ◆ Danos auditivos.
- ◆ Problemas de saúde causados pela inalação de poeiras resultantes da utilização da ferramenta (exemplo: trabalhos em madeira, especialmente carvalho, faia e MDF).

Vibração

Os valores de emissão de vibração declarados na secção de dados técnicos e na declaração de conformidade foram medidos de acordo com o método de teste padrão fornecido pela EN62841 e podem ser utilizados para comparar ferramentas. O valor de emissão de vibração declarado pode ainda ser utilizado numa avaliação preliminar de exposição.

Atenção! O valor de emissão de vibração durante a utilização real da ferramenta eléctrica pode ser diferente do valor declarado, dependendo da forma como a ferramenta é utilizada. O nível de vibração pode aumentar acima do nível indicado.

Quando avaliar a exposição da vibração para determinar as medidas de segurança exigidas pela Diretiva 2002/44/CE para proteger pessoas que utilizem regularmente ferramentas eléctricas na sua atividade profissional, deve ser considerada uma estimativa de exposição de vibração, as condições reais de utilização e o modo de utilização da ferramenta, incluindo ainda todas as partes do ciclo de funcionamento, como os períodos de inatividade e espera da ferramenta, além do tempo de funcionamento.

Etiquetas colocadas na ferramenta

A ferramenta apresenta os seguintes símbolos de aviso juntamente com o código de data:



Atenção! Para reduzir o risco de ferimentos, o utilizador deve ler o manual de instruções.

Segurança eléctrica



Esta ferramenta tem isolamento duplo. Por esse motivo, não precisa de ligação à terra. Verifique sempre se a tensão da tomada de electricidade corresponde à tensão indicada na placa com os requisitos de alimentação da ferramenta.

- ◆ Se for necessário substituir o cabo de alimentação, isto deve ser efectuado pelo fabricante ou por um centro de assistência autorizado da Stanley FatMax para evitar acidentes.

Componentes

Esta ferramenta inclui algumas ou todas as funcionalidades seguintes.

1. Interruptor de ligar/desligar
2. Botão de bloqueio
3. Base para lixadeira
4. Alavanca do grampo de papel
5. Interruptor de controlo de velocidade variável
6. Depósito de pó

Montagem

Atenção! Antes da montagem, certifique-se de que a ferramenta está desligado e que não está ligado à corrente eléctrica.

Colocar folhas de lixa (Fig. A, B, C, D)

Atenção! Nunca utilize a ferramenta sem uma folha de lixa ou acessório no devido lugar.

Colocar folhas de lixa com cabos de nylon (Fig. A)

- ◆ Certifique-se de que a ferramenta está desligada e que não está ligada à corrente eléctrica.
- ◆ Pressione firme e uniformemente a lixa na base para lixadeira (3).

Colocar folhas de lixa normais (Fig. B, C, D)

- ◆ Certifique-se de que a ferramenta está desligada e que não está ligada à corrente eléctrica.
- ◆ Alise a folha de lixa, raspando a superfície não abrasiva sobre a extremidade de uma banca de trabalho.
- ◆ Pressione as alavancas dos grampos de papel (4) para cima de forma a libertá-las dos entalhes retentores e abra os grampos de papel pressionando-os para baixo (Fig. B).
- ◆ Coloque a lixa na base para lixadeira (3) (Fig. C).
- ◆ Introduza a extremidade da folha de lixa no grampo de papel frontal, conforme indicado (Fig. D).
- ◆ Pressione a alavanca frontal do grampo de papel (4) para baixo e encaixe-a no entalhe retentor.
- ◆ Enquanto exerce uma ligeira pressão sobre a folha, introduza a extremidade traseira da folha no grampo de papel traseiro.

- ◆ Pressione a alavanca do grampo traseiro do papel (4) para baixo e encaixe-a no entalhe retentor.

Colocar e remover o depósito de pó (Fig. E)

- ◆ Encaixe o depósito de pó (6) sobre a saída de extracção de pó (7).
- ◆ Faça deslizar o depósito de pó para dentro da ferramenta e certifique-se que está fixado com firmeza.
- ◆ Para remover o depósito de pó, puxe-o para a parte de trás e para fora da saída.

Utilização

Atenção! Não altere o ritmo de funcionamento da ferramenta. Não sobrecarregue.

Atenção! Não tape as saídas de ventilação quando utilizar a ferramenta. Certifique-se de que a base para lixadeira se encontra encaixada na peça.

Controlo de velocidade variável

O controlo de velocidade variável permite-lhe adaptar a velocidade da ferramenta ao material da peça.

- ◆ Ajuste o botão de controlo (5) para a definição pretendida. Utilize uma velocidade rápida para madeira, média para folheados e sintéticos e lenta para vidro acrílico, metais não ferrosos e para remover tinta

Ligar e desligar (Fig. F)

- ◆ Para ligar a ferramenta, pressione o interruptor de ligar/desligar (1).
- ◆ Para uma operação contínua, pressione o botão de bloqueio (2) e solte o interruptor ligar/desligar.
- ◆ Para desligar a ferramenta, solte o interruptor ligar/desligar. Para desligar a ferramenta quando estiver a executar uma operação contínua, prima o interruptor ligar/desligar mais uma vez e solte-o.

Esvaziar o depósito de pó

O depósito de pó (2) deve ser esvaziado após cada dez minutos de utilização.

- ◆ Puxe o depósito de pó (6) para a parte de trás e da ferramenta, afastado da porta de ligação.
- ◆ Esvazie para um receptáculo adequado e volte a colocá-lo na ferramenta.

Sugestões para uma utilização ótima

- ◆ Para um maior conforto do utilizador, a ferramenta pode ser utilizada com uma ou duas mãos (Fig. G, H, I). Não coloque as mãos sobre as saídas de ventilação.
- ◆ Não exerça demasiada pressão na ferramenta.
- ◆ Verifique regularmente o estado de conservação da folha de lixa. Substitua-a quando necessário.
- ◆ Lixe sempre de acordo com a granulação da madeira.

- ◆ Quando estiver a lixar novas camadas de tinta antes de aplicar outra camada, utilize granulação extra fina.
- ◆ Em superfícies muito irregulares ou para remover camadas de tinta, comece com uma granulação grossa. Noutras superfícies, comece com uma granulação média. Em ambos os casos, mude gradualmente para uma granulação fina para conseguir um acabamento liso.
- ◆ Consulte o seu revendedor para obter mais informações sobre os acessórios disponíveis.

Manutenção

A sua ferramenta Stanley Fat Max foi concebida para funcionar por um longo período de tempo com uma manutenção mínima. Uma utilização continuamente satisfatória depende de uma manutenção apropriada da ferramenta e de uma limpeza regular.

Atenção! Antes de efectuar qualquer tarefa de manutenção da ferramenta, desligue o carregador antes de o limpar.

- ◆ Limpe regularmente as aberturas de ventilação da ferramenta com uma escova suave ou um pano seco.
- ◆ Limpe regularmente o compartimento do motor com um pano húmido. Não utilize produtos de limpeza abrasivos ou à base de solventes.

Substituição da ficha de alimentação (apenas Reino Unido e Irlanda)

Se for necessário instalar uma nova ficha de alimentação:

- ◆ Elimine com segurança a ficha antiga.
- ◆ Ligue o cabo castanho ao terminal activo da nova ficha.
- ◆ Ligue o cabo azul ao terminal neutro.

Atenção! Não deve ser efetuada qualquer ligação ao terminal de terra.

Siga as instruções de instalação fornecidas com fichas de boa qualidade.

Fusível recomendado: 5 A.

Protecção do ambiente



Faça uma recolha de lixo seletiva. Os produtos e as baterias assinalados com este símbolo não devem ser eliminados juntamente com o lixo doméstico normal.

Os produtos e as pilhas contêm materiais que podem ser recuperados ou reciclados, reduzindo assim a necessidade de matérias-primas.

Recicle os produtos eléctricos e as pilhas de acordo com as disposições locais. Estão disponíveis mais informações em www.2helpU.com

Dados técnicos

		KFFMEW210	FMEW214
Tensão de entrada	V_{ca}	230	230
Alimentação	W	280	280
Oscilações (sem carga)	min. f	24000	24000
Órbitas (sem carga)	min. f	12000	12000
Superfície de base para lixadeira	mm	187 x 90	187 x 90
Peso	kg	2.0	2.0

Nível de pressão acústica de acordo com a norma EN 62841:

KFFMEW210 Pressão acústica (L_{pa}) 85 dB(A), variabilidade (K) 3 dB(A)
FMEW214 Pressão acústica (L_{pa}) 85 dB(A), variabilidade (K) 3 dB(A)

KFFMEW210 Potência acústica (L_{wa}) 96 dB(A), variabilidade (K) 3 dB(A)
FMEW214 Potência acústica (L_{wa}) 96 dB(A), variabilidade (K) 3 dB(A)

Valores totais de vibração (soma de vetores triaxiais) de acordo com a norma EN 62841:

KFFMEW210 (a) 6 m/s², variabilidade (K) 1.5 m/s²

FMEW214 (a) 6 m/s², variabilidade (K) 1.5 m/s²

Declaração de conformidade CE DIRETIVA "MÁQUINAS"



Lixadeira KFFMEW210, FMEW214

A Stanley Europe declara que os produtos descritos em "dados técnicos" estão em conformidade com as seguintes normas:

2006/42/CE, EN62841-1:2015, EN62841-2-4:2014.

Estes produtos estão também em conformidade com a Diretiva 2014/30/UE e 2011/65/UE. Para obter mais informações, contacte a Stanley Europe no endereço indicado ou consulte a parte posterior do manual.

O abaixo assinado é responsável pela compilação do ficheiro técnico e faz esta declaração em nome da Stanley FatMax.

R. Laverick
Director de Engenharia
Stanley Europe, Egide Walschaertsstraat14-18,
2800 Mechelen, Bélgica
28/08/2018

Garantia

A Stanley Fat Max confia na qualidade dos seus produtos e oferece aos clientes uma garantia de 12 meses a partir da data de compra. Esta garantia é um complemento dos seus direitos estabelecidos por lei, não os prejudicando de forma alguma. A garantia é válida nos Estados-membros da União Europeia e nos países-membros da Zona Europeia de Comércio Livre.

Para acionar a garantia, esta deve estar em conformidade com os termos e condições da Stanley Fat Max e terá de apresentar comprovativos de compra ao vendedor ou a um agente de reparação autorizado. Os termos e condições da garantia de 1 ano da Stanley Fat Max e a localização do agente de reparação autorizado mais próximo pode ser obtido na Internet em www.2helpU.com ou contactando uma filial da Stanley Fat Max, cuja morada está indicada neste manual. Visite o nosso Website www.stanley.eu/3 para registar o novo produto Stanley Fat Max e manter-se atualizado relativamente a novos produtos e ofertas especiais.

SVENSKA

(Översättning av originalanvisningarna)

Avsedd användning

Din FMEW214, KFFMEW210 Stanley® Fatmax® slipmaskinen Powerfile™ är avsedd för slipning av trä, metall, plast och målade ytor. Detta verktyg är avsett för yrkesanvändare och privatkonsumenter.

Säkerhetsinstruktioner

Allmänna säkerhetsanvisningar för elverktyg



Varning! Läs alla säkerhetsvarningar, instruktioner, illustrationer och specifikationer som levereras med detta elverktyg. Fel som uppstår till följd av att varningarna och instruktionerna som listas nedan inte följts kan orsaka elstötar, brand och/eller allvarliga kroppsskador.

Spara alla säkerhetsföreskrifter och anvisningar för framtida bruk. Begreppet "Elverktyg" i alla varningar som listas nedan avser nätdrivna elverktyg (med nätsladd) och batteridrivna elverktyg (sladdlösa).

1. Säkerhet på arbetsplatsen

- Se till att arbetsområdet är rent och väl belyst.** Belamrade och mörka områden inbjuder till olyckor.
- Använd inte elverktyget i explosionsfarlig omgivning, t.ex. i närheten av brännbara vätskor, gaser eller damm.** Elverktyg skapar gnistor som kan antända damm eller ångor.
- Håll barn och åskådare på avstånd vid arbete med elverktyget.** Distractioner kan göra att du förlorar kontrollen.

2. Elsäkerhet

- Elverktygets stickkontakt måste passa i eluttag. Modifiera aldrig kontakten på något sätt. Använd inga adapterkontakter tillsammans med jordade elverktyg.** Icke modifierade kontakter och passande uttag minskar risken för elektrisk stöt.
- Undvik kroppskontakt med jordade ytor, t.ex. rör, värmelement, spisar och kylskåp.** Det finns en ökad risk för elektrisk stöt om din kropp är jordansluten eller jordad.
- Utsätt inte elverktyget för regn eller våta omgivelningar.** Vatten som kommer in i ett elverktyg ökar risken för elektrisk stöt.
- Misshandla inte nätsladden. Använd aldrig sladden för att bända, dra eller koppla bort elverktyget från uttaget. Håll sladden borta från värme, olja, skarpa kanter eller rörliga delar.** Skadade eller tilltrasslade sladdar ökar risken för elektrisk stöt.
- Använd en förlängningssladd som lämpar sig för utomhusbruk när du arbetar med elverktyg utomhus.** Användning av en sladd som är lämplig för utomhusbruk minskar risken för elektriska stötar.
- Om du måste använda ett elverktyg på en fuktig plats, bör du använda en strömförsörjning med jordfelsbrytare.** Användning av en jordfelsbrytare minskar risken för elektrisk stöt.

3. Personlig säkerhet

- Var uppmärksam, se på vad du gör och använd sunt omdöme när du använder elverktyget. Använd inte ett elverktyg när du är trött eller påverkad av droger, alkohol eller mediciner.** Ett ögonblicks ouppmärksamhet när du arbetar med elektriska verktyg kan leda till allvarliga personskador.
- Använd personlig skyddsutrustning. Använd alltid skyddsglasögon.** Skyddsutrustning såsom dammfilterskydd, halksäkra säkerhetsskor, skyddshjälm eller hörselskydd som används för lämpliga förhållanden minskar personskador.
- Förhindra oavsiktlig start. Kontrollera att strömbrytaren står i avstängt läge innan du ansluter verktyget till elnätet eller sätter i batteriet, samt innan du tar upp eller bär verktyget.** Att bära elektriska verktyg med fingret på strömbrytaren eller att koppla strömmen till elektriska verktyg när strömbrytaren är på leder till olyckor.
- Ta bort alla inställningsverktyg och skruvnycklar innan du startar elverktyget.** Ett verktyg eller en nyckel som har lämnats kvar på en roterande del av det elektriska verktyget kan orsaka kroppsskador.
- Sträck dig inte för mycket. Ha ordentligt fotfäste och balans hela tiden.** Detta möjliggör bättre kontroll av elverktyget i övriga situationer.

- f. **Bär lämpliga kläder. Bär inte lösa kläder eller smycken. Håll hår, beklädnad och handskar borta från delar i rörelse.** Lösa kläder, smycken eller långt hår kan fastna i rörliga delar.
- g. **Om enheten har dammsugnings- och uppsamlingsutrustning, se till att den är ansluten och används på korrekt sätt.** Användning av dammuppsamling kan minska dammrelaterade risker.
- h. **Låt inte förtrogenheten som uppstått genom regelbunden användning av verktyg låta dig bli självsäker och ignorera verktygets säkerhetsprinciper.** En oförsiktig handling kan orsaka allvarliga skador under bråkdelen av en sekund.
4. **Användning och skötsel av elverktyg**
- a. **Överbelasta inte elverktyget. Använd rätt elverktyg för ditt arbete.** Det korrekta elverktyget gör arbetet bättre och säkrare vid den hastighet för vilket det konstruerades.
- b. **Använd inte elverktyget om det inte kan startas och stängas av med strömbrytaren.** Ett elverktyg som inte kan kontrolleras med strömbrytaren är farligt och måste repareras.
- c. **Dra stickproppen ur vägguttaget och/eller ta ut batteriet ur elverktyget innan inställningar görs, tillbehör byts ut eller elverktyget ställs undan.** Sådana förebyggande säkerhetsåtgärder minskar risken att oavsiktligt starta elverktyget.
- d. **Förvara elverktyg utom räckhåll för barn och låt inte personer som är ovana vid elverktyget eller som inte läst denna bruksanvisning använda det.** Elverktyg är farliga i händerna på ovana användare.
- e. **Underhålla elverktyg och tillbehör. Kontrollera att rörliga komponenter fungerar felfritt och inte kärvar, att komponenter inte gått sönder eller skadats och inget annat föreligger som kan påverka elverktygets funktion. Om det är skadat, se till att elverktyget blir reparerat före användning.** Många olyckor orsakas av dåligt underhållna elektriska verktyg.
- f. **Håll skärande verktyg vassa och rena.** Korrekt underhållna kapverktyg med vassa skär är mindre troliga att de fastnar och är lättare att kontrollera.
- g. **Använd elverktyg, tillbehör, bits m.m. enligt dessa anvisningar, samtidigt som arbetsförhållandena och det arbete som ska utföras beaktas.** Användning av elverktyget för andra uppgifter än vad som avsetts kan resultera i farliga situationer.
- h. **Håll handtagen och greppytorna torra, rena och fria från olja och fett.** Håll handtag och greppytor förhindrar säker hantering och kontroll av verktyget i oväntade situationer.

5. Service

- a. **Låt en kvalificerad reparatör som bara använder identiska reservdelar utföra service på elverktyget.** Detta säkerställer att elverktygets säkerhet bibehålles.

Ytterligare säkerhetsanvisningar för elverktyg



Varning! Ytterligare säkerhetsanvisningar för slipmaskiner.

- ◆ **Håll elverktyget i isolerade greppytor eftersom fräsen kan komma i kontakt med sin egen sladd.** Kapning av en strömförande ledning kan exponera metalldelar hos elverktyget som kan ge operatören elektriska stötar.
- ◆ **Använd klämmor eller något annat praktiskt sätt att stödja arbetsstycket mot ett stabilt underlag.** Att hålla arbetsstycket för hand eller mot kroppen är instabilt och kan göra att du förlorar kontrollen.
- ◆ **Varning! Slipning ger upphov till damm som kan skada den som använder verktyget och andra i närheten vid kontakt eller inandning.** Använd en specialkonstruerad ansiktsmask som skyddar mot damm och ångor och se till att personer som vistas inom eller i närheten av arbetsområdet också är skyddade.
- ◆ **Var noga med att avlägsna allt damm när slipningen har avslutats.**
- ◆ **Var särskilt försiktig när du slipar bort färg som eventuellt innehåller bly eller när du slipar trä- och metallmaterial som kan avge giftigt slipdamm:**
 - ◆ **Låt aldrig barn eller gravida kvinnor vistas på arbetsplatsen.**
 - ◆ **Ät, drick och rök inte på arbetsplatsen.**
 - ◆ **Släng damm och annat avfall på miljösäker plats.**
- ◆ **Avsedd användning beskrivs i denna bruksanvisning.** Användning av andra tillbehör eller tillsatser, eller om någon annan åtgärd än de som rekommenderas i den här bruksanvisningen kan medföra risk för personskada och/eller skada på egendom.

Säkerhet för andra

- ◆ Denna apparat är inte avsedd att användas av personer (inklusive barn) med reducerad fysisk, sensorisk eller mental förmåga eller med begränsad erfarenhet eller kunskap såvida inte de är under uppsikt eller fått instruktioner om användning av apparaten av en person som är ansvarig för deras säkerhet.
- ◆ Barn ska hållas under uppsikt så att de inte leker med verktyget.

Övriga risker.

Ytterligare risker som inte finns med i de bifogade säkerhetsanvisningarna kan uppstå när verktyget används. Dessa risker kan uppstå vid felaktig eller långvarig användning, etc.

Även om alla relevanta säkerhetsanvisningar följs och säkerhetsanordningar används kan vissa ytterligare risker inte undvikas. Dessa omfattar:

- ◆ Skador orsakade av att roterande/rörliga delar vidrörs.
- ◆ Skador som uppstår vid byte av delar, blad eller tillbehör.
- ◆ Skador som orsakas av en långvarig användning av ett verktyg. Se till att regelbundet ta vilopauser när du använder ett verktyg under en längre period.
- ◆ Hörselnedsättning.
- ◆ Hälsorisker orsakade av inandning av damm när redskapet används (exempel: arbete med trä, särskilt ek, bok och MDF.)

Vibrationer

De vibrationsvärden som anges i avsnitten Tekniska data och deklarationen om överensstämmelse har uppmätts i enlighet med en standardtestmetod föreskriven i EN62841 och kan användas för jämförelse med andra verktyg. Det angivna vibrationsvärdet kan även användas för en preliminär bedömning av exponeringen.

Varning! Vibrationsvärdet under faktisk användning av elverktyget kan skilja sig från det uppgivna värdet beroende på hur verktyget används. Vibrationsnivån kan överstiga den uppgivna nivån.

Vid uppskattningar av exponering för vibrationer i syfte att bedöma vilka säkerhetsåtgärder som är nödvändiga enligt 2002/44/EG för att skydda personer som regelbundet använder elverktyg i arbetet ska man utgå från de faktiska omständigheter under vilka elverktyget används och sättet på vilket det används. Bedömningen ska även ta hänsyn till alla moment i arbetscykeln, t.ex. när verktyget är avstängt och när det går på tomgång såväl som när det faktiskt används.

Etiketter på verktyget

Följande symboler finns på verktyget, tillsammans med datumkoden::



Varning! Läs bruksanvisningen före användning för att minska risken för personskador.

Elsäkerhet



Eftersom verktyget är dubbelisolerat behövs ingen jordledare. Kontrollera alltid så att spänningen på nätet motsvarar den spänning som finns angiven på märkplåten.

- ◆ Om byte av nätsladden är nödvändigt måste den bytas ut av tillverkaren eller ett auktoriserat Stanley FatMax servicecenter för att farliga situationer ska undvikas.

Funktioner

Detta verktyg har några eller samtliga av följande funktioner.

1. Strömbrytare
2. Lås på knapp
3. Basplatta

4. Spännarm till klämfäste
5. Hastighetsreglage
6. Dammbehållare

Montering

Varning! Innan montering, se till att verktyget är avstängt och urkopplat.

Montering av slippapper (bild A, B, C, D)

Varning! Använd aldrig verktyget utan slippapper eller tillbehör på plats.

Montering av slippapper med nylonöglor (bild A)

- ◆ Se till att verktyget är avstängt samt att det inte är anslutet.
- ◆ Tryck fast papperet på basplattan med ett hårt och jämnt tryck (3).

Montering av vanligt slippapper (bild B, C, D)

- ◆ Se till att verktyget är avstängt samt att det inte är anslutet.
- ◆ Mjuka upp slippappret genom att dra den släta, icke slipande sidan mot kanten på en arbetsbänk.
- ◆ Tryck spännarmarna till klämfästet (4) uppåt för att lyfta dem från lässpåren och frigör klämfästena genom att trycka dem nedåt (bild B).
- ◆ Placera papperet på basplattan (3) (bild C).
- ◆ För in kanten på slippappret under det främre klämfästet som visas på bilden (bild D).
- ◆ Tryck spaken på den främre pappersklämman (4) nedåt och placera den i skåran som håller den på plats.
- ◆ Spänn slippappret en aning och för in andra änden under det bakre klämfästet.
- ◆ Tryck spaken på den bakre pappersklämman (4) nedåt och placera den i skåran som håller den på plats.

Montera och ta bort dammbehållaren (bild E)

- ◆ Montera dammbehållaren (6) över dammuppsugningshålet (7).
- ◆ Sätt dammbehållaren på verktyget och se till att den sitter ordentligt.
- ◆ För att ta bort dammbehållaren drar du den bakåt och bort från hålet.

Användning

Varning! Låt verktyget arbeta i sin egen takt. Överbelasta inte.

Varning! Täck inte över ventilationsöppningarna när verktyget används. Se till så att basplattan är plan mot arbetsstycket.

Variabel hastighetskontroll

Med den varierbara hastighetskontrollen kan du anpassa verktygets hastighet till arbetsmaterialet.

- ◆ Placera kontrollknappen (5) i önskad position. Välj hög hastighet för trä, medelhög för faner och syntetiska material, samt låg hastighet för akrylplast, icke-järnhaltiga metaller och färgborttagning

Slå på och stäng av (bild F)

- ◆ Starta verktyget genom att trycka in strömbrytaren (1).
- ◆ Tryck in låsknappen (2) och släpp strömbrytaren om du vill ha kontinuerlig drift.
- ◆ Stäng av verktyget genom att släppa upp strömbrytaren. Under kontinuerlig drift stänger du av verktyget genom att trycka in strömbrytaren igen och släppa den.

Tömma dammbehållaren

Dammbehållaren (2) bör tömmas var tionde minut vid användning.

- ◆ Dra dammbehållaren (6) bakåt och dra av den från verktyget bort från anslutningsöppningen.
- ◆ Töm i en lämplig behållare och sätt tillbaka på verktyget.

Tips för optimal användning

- ◆ Verktyget kan användas med en eller två händer för bästa komfort (bild G, H, I). Håll inte händerna över ventilationsöppningarna.
- ◆ Tryck inte för hårt på verktyget.
- ◆ Kontrollera slippapprets skick regelbundet. Byt vid behov.
- ◆ Slipa alltid i virkets fiberriktning.
- ◆ Använd extra finkornigt slippapper mellan strykningarna av nymålade ytor.
- ◆ På mycket ojämna ytor eller vid borttagning av flera färglager bör ett grovkornigt slippapper användas i början. På andra ytor startas slipningen med medelgrovt slippapper. I båda fallen, ändra gradvis till ett mer finkornigt slippapper för en jämn och slät yta.
- ◆ Kontakta din återförsäljare för mer information om tillgängliga tillbehör.

Underhåll

Ditt Stanley® Fatmax®-verktyg har tillverkats för att fungera under lång tid med ett minimum av underhåll. Kontinuerlig tillfredsställande drift är beroende av ordentlig verktygsvård och regelbunden rengöring.

Varning! Koppla loss laddaren innan du utför något underhåll på eller rengör verktyget.

- ◆ Rengör regelbundet apparatens luftintag med en mjuk borste eller torr trasa.
- ◆ Rengör motorkåpan regelbundet med en fuktig trasa. Använd aldrig något slipande eller lösningsmedelsbaserat rengöringsmedel.

Byte av elkontakten (endast Storbritannien och Irland)

Om en ny elkontakt måste monteras:

- ◆ Gör dig av med den gamla kontakten på lämpligt sätt.
- ◆ Anslut den bruna ledningen till den strömförande anslutningen i den nya kontakten.
- ◆ Anslut den blå ledningen till den icke strömförande anslutningen.

Varning! Ingenting bör kopplas till jordanslutningen.

Följ de monteringsanvisningar som följer med kontakter av god kvalitet.

Rekommenderad säkring: 5 A.

Skydda miljön



Separat insamling. Produkter och batterier som är markerade med denna symbol får inte kastas i de vanliga hushållsoporna.

Produkter och batterier innehåller material som kan återanvändas eller återvinnas för att minska behovet av råmaterial.

Återvinn elektriska produkter och batterier enligt lokala föreskrifter. Mer information finns tillgänglig på www.2helpU.com.

Tekniska data

		KFFMEW210	FMEW214
Inspänning	V_{AC}	230	230
Ineffekt	W	280	280
Svängningar (obelastad)	min^{-1}	24000	24000
Varvtal (obelastad)	min^{-1}	12000	12000
Slipbasyta	mm	187 x 90	187 x 90
Vikt	kg	2.0	2.0

Ljudtrycksnivå enligt EN 62841:

KFFMEW210 Ljudtryck (L_{pA}) 85 dB(A), osäkerhet (K) 3 dB(A)
 FMEW214 Ljudtryck (L_{pA}) 85 dB(A), osäkerhet (K) 3 dB(A)

KFFMEW210 Ljudtryck (L_{WA}) 96 dB(A), osäkerhet (K) 3 dB(A)
 FMEW214 Ljudtryck (L_{WA}) 96 dB(A), osäkerhet (K) 3 dB(A)

Totala vibrationsvärden (vektorsumman av tre axlar) enligt EN 62841:

KFFMEW210 (a_{hV}) 6 m/s^2 , osäkerhet (K) 1,5 m/s^2

FMEW214 (a_{hV}) 6 m/s^2 , osäkerhet (K) 1,5 m/s^2

EG-försäkran om överensstämmelse

MASKINDIREKTIVET



KFFMEW210, FMEW214 slipmaskin

Stanley Europe garanterar att produkterna som beskrivs under "tekniska data" uppfyller:

2006/42/EG, EN62841-1:2015, EN62841-2-4:2014.

Dessa produkter överensstämmer även med direktiven 2014/30/EU och 2011/65/EU. Mer information får du genom att kontakta Stanley Europe på följande adress eller titta i slutet av bruksanvisningen.

Undertecknad är ansvarig för sammanställningen av tekniska data och gör denna försäkring för Stanley® Fatmax®.



R. Laverick
Director of Engineering
Stanley Europe, Egide Walschaertsstraat14-18,
2800 Mechelen, Belgien
28 augusti, 2018

Garanti

Stanley® Fatmax® är övertygad om kvaliteten hos denna produkt och erbjuder kunder 12 månaders garanti från inköpsdatumet. Garantin gäller utöver konsumentens rättigheter enligt lag och påverkar inte dessa. Garantin är giltig i de områden som tillhör medlemsstaterna i Europeiska unionen och det europeiska frihandelsområdet. För yrkande under garantin måste yrkandet vara i enlighet med Stanley® Fatmax® villkor och du kommer att behöva skicka in bevis på köpet till försäljaren eller en auktoriserad reparatör. Villkoren för Stanley® Fatmax® ettåriga garanti och var du hittar din närmaste auktoriserade reparatör kan erhållas på internet på www.2helpU.com, eller genom att kontakta ditt lokala Stanley® Fatmax® kontor på adressen som angetts i denna bruksanvisning. Besök vår webbplats www.stanley.eu/3 för att registrera din nya Stanley® Fatmax® produkt och få uppdateringar om nya produkter och specialerbjudanden.

Tiltenkt bruk

FMEW214, KFFMEW210 Stanley® Fatmax®-slipemaskiner er konstruert for sliping av treverk, metall, plast og malte overflater. Slike verktøy er tiltenkt både fagarbeidere og private brukere.

Sikkerhetsinstruksjoner

Generelle sikkerhetsadvarsler for elektroverktøy



Advarsel! Les alle sikkerhetsanvisninger, instruksjoner, illustrasjoner og spesifikasjoner som følger dette elektriske verktøyet. Hvis advarslene og anvisningene nedenfor ikke overholdes, kan det medføre elektrisk støt, brann og/eller alvorlige personskader.

Ta vare på alle advarsler og instruksjoner for fremtidig bruk. Uttrykket "elektroverktøy" i alle advarslene nedenfor gjelder for strømledende elektroverktøy (med ledning) og batteridrevne elektroverktøy (uten ledning).

1. Sikkerhet i arbeidsområdet

- Hold arbeidsområdet rent og godt opplyst.** Rotete eller mørke områder er en invitasjon til ulykker.
- Ikke arbeid med elektroverktøy i eksplosjonsfarlige omgivelser, for eksempel der det finnes segnbrennbare væsker, gass eller støv.** Elektrisk verktøy skaper gnister som kan antenne støv eller gasser.
- Hold barn og andre personer unna når du bruker et elektroverktøy.** Distraksjoner kan føre til at du mister kontrollen.

2. Elektrisk sikkerhet

- Støpselet til verktøyet må passe til stikkkontakten. Aldri modifier støpselet på noen måte. Ikke bruk adapterstøpsler til jordede elektriske verktøy.** Umodifiserte støpsler og stikkontakter som passer vil redusere risikoen for elektrisk sjokk.
- Unngå kroppskontakt med jordede overflater som rør, radiatorer, komfyrer og kjøleskap.** Det er økt risiko for elektrisk støt dersom kroppen din er jordet.
- Ikke utsett elektroverktøy for regn eller fuktighet.** Dersom det kommer vann inn i et elektrisk verktøy vil det øke risikoen for elektrisk sjokk.
- Unngå uforsvarlig behandling av ledningen. Aldri bruk ledningen til å bære, trekke eller dra ut støpselet til det elektriske verktøyet. Hold ledningen borte fra varme, olje, skarpe kanter eller bevegelige deler.** Skadede eller innviklede ledninger øker risikoen for elektrisk sjokk.
- Når du bruker et elektroverktøy utendørs, må du bruke en skjøteledning som er egnet til utendørs bruk.** Bruk av en skjøteledning beregnet for utendørs bruk reduserer risikoen for elektrisk støt.
- Hvis du ikke kan unngå å bruke elektroverktøy på et fuktig sted, må du bruke en strømforsyning som er beskyttet med jordfeilbryter (RCD).** Bruk av jordfeilbryter (RCD) reduserer risikoen for elektrisk støt.

3. Personikkerhet

- Vær oppmerksom, pass på hva du gjør, og vis sunn fornuft når du arbeider med et elektroverktøy. Ikke bruk et elektrisk verktøy dersom du er trøtt eller er påvirket av medikamenter, narkotika eller alkohol.** Ett øyeblikks uoppmerksomhet under bruk av elektriske verktøy kan føre til alvorlig personskade.
- Bruk personlig verneutstyr. Bruk alltid vernebriller.**

Verneutstyr slik som støvmaske, sklisiske vernesko, hjelm, eller hørselsvern brukt under passende forhold vil redusere personskader.

- c. **Forhindre utilsiktet start. Kontroller at bryteren står i posisjon "av" før du kobler til strømkilden og/eller batteripakken, og før du tar opp eller bærer verktøyet.** Å bære elektriske verktøy med fingeren på bryteren eller å sette inn støpselet mens elektriske verktøy har bryteren på øker faren for ulykker.
 - d. **Fjern eventuelt innstillingsverktøy eller skruverktøy før du slår på elektroverktøyet.** Et skruverktøy eller en nøkkel som fortsatt er festet til en roterende del av elektroverktøyet, kan føre til personskade.
 - e. **Ikke strekk deg for langt. Ha godt fofeste og stå støtt hele tiden.** Dette fører til at du har bedre kontroll over det elektriske verktøyet ved uventede situasjoner.
 - f. **Bruk egnede klær. Ikke ha på deg løstsittende klær eller smykker. Hold hår, antrekk og hansker borte fra bevegelige deler.** Løstsittende klær, smykker og langt hår kan bli fanget opp av bevegelige deler.
 - g. **Hvis det kan monteres støvavsug- og oppsamlingsinnretninger, må du forvisse deg om at disse er tilkoblet og brukes på riktig måte.** Bruk av støvoppsamlere kan redusere støvrelaterte farer.
 - h. **Ikke la erfaring med hyppig bruk av verktøy la deg bli likegyldig og ignorere verktøyet sikkerhetsregler.** En uforsiktig handling kan føre til alvorlig personskade på brøkdelen av et sekund.
4. **Bruk og behandling av elektroverktøy**
 - a. **Ikke bruk makt på elektroverktøyet. Bruk det elektriske verktøyet som situasjonen krever.** Det riktige elektriske verktøyet vil gjøre jobben bedre og tryggere ved den hastigheten det ble konstruert for.
 - b. **Ikke bruk elektroverktøyet hvis du ikke kan slå det på og av med bryteren.** Ethvert elektrisk verktøy som ikke kan kontrolleres med bryteren er farlig og må repareres.
 - c. **Trekk støpselet ut av stikkkontakten og/eller koble fra batteripakken på elektroverktøyet før du utfører innstillinger, bytter tilbehør eller legger elektroverktøyet bort for lagring.** Slike preventive sikkerhetsforanstaltninger reduserer risikoen for å starte det elektriske verktøyet ved et uhell.
 - d. **Elektroverktøy som ikke er i bruk, må oppbevares utilgjengelig for barn. Ikke la verktøyet bli brukt av personer som ikke er fortrolige med det, eller som ikke kjenner disse instruksjonene.** Elektriske verktøy er farlige i hendene på utrenede brukere.
 - e. **Sørg for vedlikehold av elektroverktøy og tilbehør. Undersøk om bevegelige deler er feiljustert eller blokkert, om deler er skadet, og om det er andre forhold som kan påvirke elektroverktøyet funksjon.**

Dersom det er skadet, få verktøyet reparert før neste bruk. Mange ulykker forårsakes av dårlig vedlikeholdte verktøy.

- f. **Hold skjæreverktøy skarpe og rene.** Godt vedlikeholdte skjæreverktøy med skarpe skjærekanten setter seg mindre sannsynlig fast og er lettere å kontrollere.
 - g. **Bruk elektroverktøy, tilbehør, bits osv. i henhold til disse instruksjonene. Ta hensyn til arbeidsforholdene og arbeidet som skal utføres.** Bruk av det elektriske verktøyet for oppgaver som er forskjellige fra de som er tiltenkt kan føre til en farlig situasjon.
 - h. **Hold håndtakene og gripeflatene tørre, rene og frie for olje og fett.** Glatte håndtak og gripeflater forhindrer trygg håndtering og kontroll av verktøyet i uventede situasjoner.
5. **Service**
 - a. **Elektroverktøyet skal repareres av kvalifisert personell og bare med originale reservedeler.** Dette vil sikre at verktøyet sikkerhet blir ivaretatt.

Ytterligere sikkerhetsadvarsler for elektroverktøy



Advarsel! Ytterligere sikkerhetsadvarsler for slipe-maskiner.

- ◆ **Hold elektroverktøyet i de isolerte gripeoverflatene fordi pusseflaten kan komme i kontakt med sin egen ledning.** Kapping av en strømførende ledning kan føre til at eksponerte metalldele på elektroverktøyet blir strømførende, og kan gi operatøren støt.
- ◆ **Bruk klemmer eller en annen praktisk måte å feste og støtte arbeidsstykket på en stabil plattform.** Å holde arbeidsstykket i hendene eller mot kroppen er ustabil og kan føre til at du mister kontroll.
- ◆ **Advarsel! Kontakt med eller innånding av støv som oppstår ved pussing, kan være helseskadelig for brukeren og eventuelle personer i nærheten.** Bruk en støvmaske som er spesielt utformet for å beskytte mot støv og damp/gass, og pass på at personer som er i eller kommer inn i arbeidsområdet, også er beskyttet.
- ◆ **Fjern alt støv grundig etter sliping.**
- ◆ **Vær ekstra forsiktig når du pusser maling som kan inneholde bly, eller metall som kan avgi giftig støv:**
 - ◆ **Ikke la barn eller gravide komme inn der du arbeider.**
 - ◆ **Du må ikke spise, drikke eller røyke der du arbeider.**
 - ◆ **Kvitt deg med støvpartikler eller annet avfall på en miljøvennlig måte.**
- ◆ **Bruksområdet er beskrevet i denne bruksanvisningen.** Hvis du bruker annet tilbehør, kobler til annet utstyr eller bruker dette produktet til andre oppgaver enn det som er anbefalt i denne håndboken, kan det medføre fare for personskader og/eller skade på eiendom.

Andre personers sikkerhet

- ◆ Dette apparatet er ikke ment for bruk av personer (inkludert barn) med redusert fysiske, sensoriske eller mentale evner, eller mangel på erfaring og kunnskap, med mindre de får tilsyn eller har blitt opplært i bruk av apparatet av en person ansvarlig for deres sikkerhet.
- ◆ Barn må holdes under oppsyn, sørg for at de ikke leker med apparatet.

Andre risikoer.

Når verktøyet brukes, kan det oppstå ytterligere risikoer som kanskje ikke er beskrevet i de medfølgende sikkerhetsadvarslene. Disse risikoene kan bli forårsaket av feil bruk, langvarig bruk osv.

Selv om de relevante sikkerhetsbestemmelsene blir fulgt, og sikkerhetstiltakene blir gjennomført, kan visse gjenværende risikoer ikke unngås. Disse inkluderer:

- ◆ Personskader som forårsakes av berøring av en roterende/bevegelig del.
- ◆ Personskader som oppstår ved skifte av deler, blader eller tilbehør.
- ◆ Personskader som skyldes for lang tids bruk av verktøyet. Når du bruker et verktøy i lange perioder, må du sørge for å ta regelmessige pauser.
- ◆ Hørselskader.
- ◆ Helsefarer forårsaket av innånding av støv som utvikler seg når du bruker verktøyet (eksempel: arbeid med tre, spesielt eik, bøk og MDF.)

Vibrasjon

Vibrasjonsemisjonsverdien som er angitt under tekniske data og samsvarserklæring, er blitt målt i henhold til en standard testmetode som er angitt i EN62841, og kan brukes til å sammenligne et verktøy med et annet. Den oppgitte vibrasjonsemisjonsverdien kan også brukes til en foreløpig vurdering av eksponering.

Advarsel! Vibrasjonsemisjonsverdien under faktisk bruk av elektroverktøyet kan avvike fra den oppgitte verdien avhengig av måten verktøyet blir brukt på. Vibrasjonsnivået kan øke over nivået som er oppgitt.

Når det vurderes vibrasjonseksponering for å avgjøre hvilke sikkerhetstiltak som kreves ifølge 2002/44/EF, for å beskytte personer som bruker elektroverktøy regelmessig til arbeidsformål, skal det, når vibrasjonseksponeringen anslås, tas hensyn til de faktiske bruksforholdene og måten verktøyet blir brukt på. Dette inkluderer å ta hensyn til alle deler av brukssyklusen, for eksempel når verktøyet er avslått, når det går på tomgang og når utløseren er trykket inn.

Etiketter på verktøyet

Følgende advarselssymboler vises på verktøyet sammen med datokoden:



Advarsel! Brukeren må lese håndboken for å redusere risikoen for personskade.

Elektrisk sikkerhet



Dette verktøyet er dobbeltisolert. Jording er derfor ikke nødvendig. Kontroller alltid at strømforsyningen samsvarer med spenningen på merkeskiltet.

- ◆ Hvis strømledningen må skiftes ut, skal dette gjøres av produsenten eller et autorisert Stanley FatMax-servicesenter for å unngå fare.

Funksjoner

Dette verktøyet har noen av eller alle følgende egenskaper. 1. På-/av-bryter

2. Låseknapp
3. Slipebase
4. Papirklemmehåndtak
5. Kontrollknott for variabel hastighet
6. Støvbeholder

Montering

Advarsel! Før monteringen må du passe på at verktøyet er slått av, og at støpselet er trukket ut.

Sette på slipepapir (fig. A, B, C, D)

Advarsel! Verktøyet må aldri brukes uten slipepapir eller tilbehør monteret.

Sette på slipepapir med nylonløkker (fig. A)

- ◆ Sørg for at verktøyet er slått av og at kontakten er trukket ut.
- ◆ Trykk slipepapiret fast og jevnt inn i slipebasen. (3).

Sette på vanlig slipepapir (fig. B, C, D)

- ◆ Sørg for at verktøyet er slått av og at kontakten er trukket ut.
- ◆ Myk opp slipepapiret ved å gni baksiden over kanten av en arbeidsbenk eller lignende.
- ◆ Trykk papirklemmespakene (4) oppover slik at de løsner fra rillene, og åpne papirklemmene ved å trykke dem ned (fig. B).
- ◆ Legg slipepapiret på slipebasen (3) (fig. C).
- ◆ Sett kanten av slipepapiret inn i den fremre papirklemmen som anvist (fig. D).
- ◆ Trykk spaken for den fremre papirklemmen (4) ned, og fest den i rillen.
- ◆ Hold slipepapiret litt stramt og sett den bakre kanten av slipepapiret inn i den bakre papirklemmen.
- ◆ Trykk spaken for den bakre papirklemmen (4) ned, og fest den i rillen.

Sette på og fjerne støvbeholderen (fig. E)

- ◆ Fest støvbeholderen (6) over støvuttaket (7).

- ◆ Skyv støvbeholderen på verktøyet, og pass på at den er sikkert festet.
- ◆ Du fjerner støvbeholderen ved å trekke den bakover og av tattaket.

Bruk

Advarsel! La verktøyet arbeide i sin egen hastighet. Må ikke overbelastes.

Advarsel! Dekk ikke til ventilasjonsåpningene når du bruker verktøyet. Pass på at slipebasen ligger flatt på arbeidsstykket.

Hastighetskontroll

Med hastighetskontrollen kan du tilpasse verktøyets hastighet etter materialet i arbeidsstykket.

- ◆ Still inn kontrollknoten (5) til ønsket innstilling. Bruk høy hastighet til tre, middels hastighet til finer og syntetiske stoffer og lav hastighet til akrylglass, ikke jernholdige metaller og fjerning av lakk og maling

Slå på og av (fig. F)

- ◆ Trykk på av/på-knappen (1) for å slå verktøyet på.
- ◆ Hvis du ønsker å holde verktøyet i kontinuerlig drift, trykker du inn låseknappen (2) og slipper av/på-knappen.
- ◆ Slipp på/av-knappen for å slå verktøyet av. Hvis du vil slå av verktøyet fra kontinuerlig drift, må du trykke inn av/på-knappen en gang til og så slippe den.

Tømme støvbeholderen

Støvbeholderen (2) må tømmes hvert tiende minutt i bruk.

- ◆ Trekk støvbeholderen (6) tilbake og av verktøyet, bort fra koblingsporten.
- ◆ Tøm ut i en egnet beholder og sett tilbake på verktøyet.

Råd for optimal bruk

- ◆ For bedre komfort kan verktøyet brukes med en hånd eller begge hender (fig. G, H, I). Ikke blokker ventilasjonsåpningene med hendene.
- ◆ Ikke trykk for hardt på verktøyet.
- ◆ Sjekk slipepapirets tilstand regelmessig. Bytt etter behov.
- ◆ Slip alltid i trets fiberretning.
- ◆ Når du skal slippe nye malingsstrøk før du skal male et nytt strøk, bruker du ekstra finkornet slipepapir.
- ◆ På veldig ujevne overflater, eller når du skal fjerne flere lag med maling, begynner du med et grovere slipepapir. På andre overflater begynner du med et middels grovkornet slipepapir. I begge tilfeller bytter du gradvis til mer finkornet slipepapir for å få en glattere overflate.
- ◆ Kontakt forhandleren for å få mer informasjon om tilgjengelig tilbehør.

Vedlikehold

Stanley® Fatmax®-verktøyet ditt er konstruert for å være i drift over lengre tid med et minimum av vedlikehold.

For at den skal fungere tilfredsstillende over tid, er det viktig å sørge for riktig stell av verktøyet og regelmessig renhold.

Advarsel! For du utfører vedlikehold på verktøyet, må du koble fra og fjerne laderen før du rengjør det.

- ◆ Rengjør ventilasjonsåpningene i verktøyet jevnlig med en myk børste eller tørr klut.
- ◆ Rengjør motorhuset regelmessig med en fuktig klut. Ikke bruk slipende eller løsemiddelbaserte rengjøringsmidler.

Skifte støpsel (bare Storbritannia og Irland)

Dersom du trenger å sette på et nytt støpsel:

- ◆ Kast det gamle støpselet på en trygg måte.
- ◆ Koble den brune ledningen til den strømførende terminalen i det nye støpselet.
- ◆ Koble den blå ledningen til den nøytrale terminalen.

Advarsel! Jordingslederen skal ikke kobles til.

Følg monteringsanvisningen som medfølger støpsler av god kvalitet.

Anbefalt sikring: 5 A.

Miljøvern



Separat avfallshåndtering. Produkter og batterier merket med dette symbolet skal ikke kastes i vanlig husholdningsavfall.

Produkter og batterier inneholder materialer som kan gjenbrukes eller gjenvinnes for å redusere behovet for nye råmaterialer.

Vennligst lever elektrisk utstyr og batterier til gjenbruk i henhold til lokale regler. Mer informasjon finner du på www.2helpU.com.

Tekniske data

		KFFMEW210	FMEW214
Inngangsspenning	V_{AC}	230	230
Inngangseffekt	W	280	280
Svingninger (ubelastet)	min^{-1}	24000	24000
Omdreining (ubelastet)	min^{-1}	12000	12000
Slipebaseoverflate	mm	187 x 90	187 x 90
Vekt	kg	2.0	2.0

Lydtrykknivå i henhold til EN 62841:

KFFMEW210 Lydtrykk (L_{pA}) 85 dB(A), usikkerhet (K) 3 dB(A)
FMEW214 Lydtrykk (L_{pA}) 85 dB(A), usikkerhet (K) 3 dB(A)
KFFMEW210 Lydeffekt (L_{WA}) 96 dB(A), usikkerhet (K) 3 dB(A)
FMEW214 Lydeffekt (L_{WA}) 96 dB(A), usikkerhet (K) 3 dB(A)

Totale vibrasjonsverdier (triaks vektorsum) bestemt i samsvar med EN 62841:

KFFMEW210 (a_{h}) 6 m/s^2 , usikkerhet (K) 1,5 m/s^2
FMEW214 (a_{h}) 6 m/s^2 , usikkerhet (K) 1,5 m/s^2

EF-samsvarserklæring

MASKINDIREKTIVET



KFFMEW210, FMEW214 sandslipemaskin

Stanley Europe erklærer at disse produktene som er beskrevet under «Tekniske data» er i samsvar med: 2006/42/EC, EN62841-1:2015, EN62841-2-4:2014.

Disse produktene er også i samsvar med direktiv 2014/30/EU og 2011/65/EU. Hvis du ønsker mer informasjon, kontakt Stanley Europe på følgende adresse, eller se på baksiden av håndboken.

Undertegnede er ansvarlig for utarbeidelsen av den tekniske dokumentasjonen og gir denne erklæringen på vegne av Stanley® Fatmax®.

R. Laverick
Director of Engineering
Stanley Europe, Egide Walschaertsstraat14-18,
2800 Mechelen, Belgia
28/08/2018

Garanti

Stanley® Fatmax® er trygg på kvaliteten av produktene sine og tilbyr en 12 måneders garanti fra kjøpsdatoen. Denne garantierklæringen kommer i tillegg til dine lovbestemte rettigheter og er ikke i konflikt med disse. Garantien er gyldig innen områdene tilhørende medlemslandene i den Europeiske Union (EU) og det Europeiske Frihandelsområdet (EFTA).

For å ta garantien i bruk må kravet være i samsvar med kjøpsbetingelsene fra Stanley® Fatmax® og du må vise kjøpskvitteringen til forhandleren eller til et autorisert serviceverksted. Betingelsene for Stanley® Fatmax® 1 års garanti og adressen til ditt nærmeste autoriserte serviceverksted kan du finne på Internett på www.2helpU.com, eller ved å kontakte ditt lokale Stanley® Fatmax®-kontor. Adressen står oppgitt i denne bruksanvisningen.

Besøk våre nettsider på www.stanley.eu/3 for å registrere ditt nye Stanley® Fatmax®-produkt og for å få informasjon om nye produkter og spesialtilbud.

Tilsigtet brug

Dine FMEW214, KFFMEW210 Stanley® Fatmax® pudsemaskiner er designet til slibning af træ, metal, plastic og malede overflader. Disse værktøjer er beregnet til erhvervsmæssige brugere og private ikke-erhvervsmæssige brugere.

Sikkerhedsinstruktioner

Generelle sikkerhedsadvarsler vedrørende elværktøj



Advarsel! Læs alle sikkerhedsadvarsler, instruktioner, illustrationer og specifikationer, der følger med dette elværktøj. Hvis efterfølgende advarsler og instruktioner ikke følges, er der risiko for elektrisk stød, brand og alvorlige kvæstelser.

Gem alle advarsler og instruktioner til fremtidig reference.

Begrebet "elværktøj", der benyttes i nedenstående advarsler, henviser til netdrevet elværktøj (med netledning) eller batteridrevet elværktøj (uden netledning).

1. Sikkerhed i arbejdsområdet

- Hold arbejdsområdet rent og ordentligt oplyst.** Rodede eller mørke områder giver anledning til ulykker.
- Brug ikke elværktøj i eksplosive omgivelser, f.eks. hvor der er brændbare væsker, gasser eller støv.** Elværktøj danner gnister, der kan antænde støv eller dampe.
- Hold børn og andre personer i nærheden på afstand, når der arbejdes med elværktøj.** Distractioner kan medføre, at du mister kontrollen.

2. Elektricitet og sikkerhed

- Elværktøjets stik skal passe til kontakten. Stikket må aldrig modificeres på nogen måde. Undlad at bruge adapterstik sammen med (jordforbundet) elektrisk værktøj.** Umodificerede stik og dertil passende stikkontakter reducerer risikoen for elektrisk stød.
- Undgå kropskontakt med jordforbundne overflader som f.eks. rør, radiatorer, komfurer og køleskabe.** Der er øget risiko for elektrisk stød, hvis din krop er jordforbundet.
- Udsæt ikke elværktøj for regn, og brug det ikke, hvor omgivelserne er våde.** Hvis der trænger vand ind i et elektrisk værktøj, øges risikoen for elektrisk stød.
- Pas på, at ledningen ikke beskadiges. Brug aldrig ledningen til at bære, trække værktøjet eller trække det ud af stikkontakten. Hold ledningen borte fra varme, olie, skarpe kanter og bevægelige dele.** Beskadigede eller sammenfiltrede ledninger øger risikoen for elektrisk stød.
- Hvis elværktøj benyttes i det fri, skal der benyttes en forlængerledning, som er godkendt til udendørs brug.**

Brug af en ledning, der er egnet til udendørs brug, reducerer risikoen for elektrisk stød.

- f. **Brug en strømkilde med fejlstrømsrelæ, hvis det er nødvendigt at anvende elværktøj på fugtige steder.** Ved at benytte en fejlstrømsafbryder reduceres risikoen for elektrisk stød.
3. **Personsikkerhed**
- a. **Vær opmærksom, hold øje med, hvad du laver, og brug elværktøjet fornuftigt. Betjen ikke værktøjet, hvis du er træt, påvirket af narkotika, alkohol eller medicin.** Et øjeblikks uopmærksomhed under anvendelse af et elektrisk værktøj kan forårsage alvorlige kvæstelser.
- b. **Brug personligt beskyttelsesudstyr. Bær altid beskyttelsesbriller.** Det er muligt at reducere risikoen for kvæstelser ved alt efter omstændighederne at anvende det passende sikkerhedsudstyr såsom støvmaske, skridsikre sikkerhedssko, sikkerhedshjelm eller høreværn.
- c. **Træf forholdsregler, så utilsigtet start ikke er mulig. Kontroller, at afbryderkontakten står på slukket, inden værktøjet tilsluttes strømkilden og/eller batteriet, samles op eller bæres.** Når elektrisk værktøj bæres med fingeren på kontakten eller tilsluttes, når kontakten er tændt, giver det anledning til ulykker.
- d. **Fjern indstillingsnøgle eller skruenøgle, inden elværktøjet startes.** En skruenøgle eller anden nøgle, der bliver siddende på en roterende del af elektrisk værktøj, kan give anledning til personskade.
- e. **Stræk dig ikke for langt. Hold hele tiden en god fodstilling og balance.** Dette udgør at du har bedre kontrol over det elektriske værktøj, når uventede situationer opstår.
- f. **Brug egnet arbejdstøj. Bær ikke løst tøj eller smykker. Hold dit hår, tøj og handsker væk fra bevægelige dele.** Løstsiddende tøj, smykker eller langt hår kan blive fanget i bevægelige dele.
- g. **Hvis der kan monteres støvudsugnings- og opsamlingsudstyr, skal dette tilsluttes og benyttes korrekt.** Anvendelse af støvopsamlingsudstyr kan begrænse farer forårsaget af støv.
- h. **Lad ikke kendskab fra hyppig brug af værktøjer gøre dig uforsigtig og få dig til at ignorere principperne for værktøjsikkerhed.** En uforsigtig handling kan forårsage alvorlig personskade på en brøkdal af et sekund.
4. **Brug og vedligeholdelse af elværktøj**
- a. **Overbelast ikke elværktøjet. Brug det elværktøj, der er bedst egnet til det arbejde, der skal udføres.** Det korrekte elværktøj klarer opgaven bedre og mere sikkert med den effekt, som det er konstrueret til.
- b. **Brug ikke elværktøjet, hvis afbryderkontakten er defekt.** Alt elektrisk værktøj, der ikke kan kontrolleres med kontakten, er farligt og skal repareres.

- c. **Træk stikket ud af stikkontakten og/eller batteriet inden indstilling, tilbehørsudskiftning eller opbevaring af elværktøjet.** Sådanne forebyggende sikkerhedsforanstaltninger mindsker risikoen for, at værktøjet startes utilsigtet.
- d. **Opbevar ubenyttet elværktøj uden for børns rækkevidde. Lad aldrig personer, der ikke er fortrolige med elværktøjet, eller som ikke har læst denne vejledning, benytte maskinen.** El-værktøj er farligt i hænderne på personer, som ikke er instrueret i brugen deraf.
- e. **Elværktøj og tilbehør skal vedligeholdes. Kontroller, om bevægelige dele er skæve og ikke sidder fast, og om delene er brækket eller beskadiget, så elværktøjets funktion påvirkes. Hvis det elektriske værktøj er beskadiget, skal det repareres før brug.** Mange ulykker er forårsaget af dårligt vedligeholdt værktøj.
- f. **Hold skæreværktøj skarpt og rent.** Ordentligt vedligeholdt skæreværktøj med skarpe skærekanten har mindre tilbøjelighed til at binde og er lettere at styre.
- g. **Brug elværktøjet, tilbehøret, værktøjsindsatser osv. i overensstemmelse med disse instruktioner under hensyntagen til arbejdsforholdene og arbejdet, der skal udføres med værktøjet.** Brug af elektrisk værktøj til andre opgaver end dem, det er beregnet til, kan resultere i en farlig situation.
- h. **Hold håndtagene og håndtagsfladerne tørre, rene og fri for olie og fedt.** Glatte håndtag og håndtagsflader giver ikke en sikker håndtering og kontrol af værktøjet i uventede situationer.
5. **Service**
- a. **Lad kun fagkyndige personer reparere elværktøjet og benyt kun originale reservedele.** Derved sikres det, at værktøjets driftssikkerhed opretholdes.

Yderligere sikkerhedsadvarsler for elværktøj



Advarsel! Yderligere sikkerhedsadvarsler for slibemaskiner.

- ◆ **Hold det elektriske værktøj ved hjælp af gribeoverfladerne, fordi slibeoverfladen kan komme i kontakt med sin egen ledning.** Hvis man skærer i en strømførende ledning, bliver elværktøjets blottagte dele strømførende, så brugeren får stød.
- ◆ **Brug klemmer eller en anden praktisk måde på at sikre og understøtte arbejdsområdet til et stabilt underlag.** Hvis du holder fast i arbejdsområdet med din hånd eller krop, vil det være ustabil, og det kan medføre, at du mister kontrollen over det.
- ◆ **Advarsel! Kontakt med eller indånding af støvpartikler fra slibearbejde kan udgøre en fare for både brugerens og eventuelle omkringstående's helbred.**

Bær en specielt designet støvmaske til beskyttelse mod støv og røg, og sørg for, at personer, der befinder sig på eller kommer ind på arbejdsområdet, også er beskyttet.

- ◆ **Man skal grundigt fjerne alt støv efter slibning.**
- ◆ **Man skal være specielt opmærksom ved slibning af maling, som er blybaseret, og ved slibning af nogle typer træ og metal, som kan frembringe giftigt støv:**
 - ◆ **Børn og gravide kvinder må ikke betræde arbejdsområdet.**
 - ◆ **Man må hverken spise, drikke eller ryge inden for arbejdsområdet.**
 - ◆ **Støvpartikler og andet affald skal bortskaffes på en sikker måde.**
- ◆ **Den tilsigtede anvendelse er beskrevet i denne betjeningsvejledning.** Brug af ekstraudstyr eller tilbehør eller udførelse af andre opgaver med dette værktøj end de, der anbefales i denne vejledning, kan medføre risiko for personskade og/eller materiel skade.

Andres sikkerhed

- ◆ Dette udstyr er ikke beregnet til anvendelse af personer (inklusive børn) med nedsatte fysiske, sensoriske eller mentale handicaps eller med mangel på erfaringer eller viden, medmindre de er under overvågning eller har fået instruktioner i brugen af udstyret af en person, der er ansvarlig for deres sikkerhed.
- ◆ Børn skal holdes under opsyn, så det sikres, at de ikke leger med værktøjet.

Resterende risici.

Der kan opstå yderligere, tilbageværende risici under brugen af apparatet, som muligvis ikke behandles i de vedlagte sikkerhedsadvarsler. Disse risici kan opstå pga. forkert anvendelse, langvarig brug etc.

Selv ved overholdelse af relevante sikkerhedsforskrifter og anvendelse af sikkerhedsudstyr kan visse resterende risici ikke undgås. Disse omfatter:

- ◆ Tilskadekomst forårsaget af berøring af roterende/ bevægelige dele.
- ◆ Tilskadekomst forårsaget af udskiftning af dele, klinger eller tilbehør.
- ◆ Tilskadekomst forårsaget af langvarig brug af et værktøj. Husk at holde pause jævnligt ved brug af et apparat i længere tid.
- ◆ Hørenedsættelse.
- ◆ Sundhedsrisici forårsaget af indånding af støv, der genereres ved brug af værktøjet (eksempel: arbejde med træ, især, eg, bøg og MDF.)

Vibration

De angivne værdier for udsendelse af vibration anført under de tekniske data og overensstemmelseserklæringen er målt i henhold til standardtestmetoden i EN62841 og kan bruges til at sammenligne ét værktøj med et andet.

Den angivne vibrationsemissionsværdi kan også bruges i forbindelse med en foreløbig vurdering af eksponeringen.

Advarsel! Værdien for vibrationsemission ved faktisk brug af elværktøjet kan afvige fra den angivne værdi afhængig af måden, værktøjet anvendes på. Vibrationsniveauet kan overstige det angivne niveau.

I vurderingen af eksponeringen for vibration med henblik på fastsættelse af sikkerhedsforanstaltninger som krævet i 2002/44/EF til beskyttelse af personer, der jævnligt anvender elværktøj i deres arbejde, skal der tages hensyn til de faktiske betingelser under brugen, og måden værktøjet bruges på, herunder alle arbejdsryttersens afsnit, f.eks. perioder, hvor værktøjet er slukket, og hvor det kører i tomgang, tillige med startperioderne.

Mærkatere på værktøjet

Værktøjet er forsynet med følgende symboler samt datokoden:



Advarsel! Brugeren skal læse brugervejledningen for at reducere risikoen for kvæstelser.

Elektricitet og sikkerhed



Denne maskine er dobbelt isoleret. Derfor er jordledning ikke nødvendig. Kontrollér altid, at strømforsyningen svarer til spændingen på mærkepladen.

- ◆ Hvis det er nødvendigt at udskifte netledningen, skal det foretages af producenten eller et autoriseret Stanley FatMax-værksted, så farlige situationer undgås.

Funktioner

Apparatet har nogle eller alle af de følgende funktioner. 1. Afbryderkontakt

2. Låseknop
3. Slibefod
4. Arm til papirklemme
5. Greb til trinløs hastighed
6. Støvbeholder

Samling

Advarsel! Kontroller før samling, at værktøjet er slukket, og at stikket er taget ud af stikkontakten.

Påsætning af slibebark (fig. A, B, C, D)

Advarsel! Brug aldrig værktøjet uden slibepapir eller påsat tilbehør.

Montering af slibepapir med nylonringe (fig. A)

- ◆ Sørg for, at værktøjet er slukket og taget ud af stikkontakten.
- ◆ Tryk arket hårdt og jævnt fast på slibefoden (3).

Påsætning af almindelige slibebark (fig. B, C, D)

- ◆ Sørg for, at værktøjet er slukket og taget ud af stikkontakten.

- ◆ Blødgør slibebarket ved at gnide den ikke-slibende side omkring kanten af et arbejdsbord.
- ◆ Tryk papirklemmearmene (4) opad for at frigøre dem fra låsesporene, og åbn papirklemmerne ved at trykke dem nedad (fig. B).
- ◆ Sæt arket på slibefoden (3) (fig. C).
- ◆ Sæt kanten af slibebarket ind i den forreste papirklemme som vist (fig. D).
- ◆ Tryk den forreste papirklemmearm (4) nedad, og fastgør den i låsesporet.
- ◆ Oprethold et let træk i papiret, og indfør samtidig den bageste kant af arket i den bageste papirklemme.
- ◆ Tryk den bageste papirklemmearm (4) nedad, og fastgør den i låsesporet.

Isætning og udtagning af støvbeholderen (fig. E)

- ◆ Sæt støvbeholderen (6) fast over støvsugningsudgangen (7).
- ◆ Lad støvbeholderen glide over på værktøjet, og kontroller, at den sidder fast.
- ◆ Støvbeholderen fjernes ved at trække den bagud og fri af udgangen.

Anvendelse

Advarsel! Lad værktøjet arbejde i dets eget tempo. Det må ikke overbelastes.

Advarsel! Tildæk ikke ventilationsåbningerne, når værktøjet bruges. Kontroller, at slibefoden er placeret fladt mod materialet.

Trinløs hastighedskontrol

Med knappen til indstilling af trinløs hastighed er det muligt at tilpasse

værktøjets hastighed til materialet.

- ◆ Drej knappen (5) til den ønskede indstilling. Brug en høj hastighed til træ, en middel hastighed til finér og syntetiske materialer og en lav hastighed til akrylglas, ikke-jernholdige metaller og til at fjerne maling

Tænd og sluk (fig. F)

- ◆ Tænd for værktøjet ved at trykke på tænd/sluk-kontakten (1).
- ◆ Tryk på spærreknappen (2) og udløs tænd/sluk-kontakten for at opnå konstant funktion.
- ◆ Sluk for værktøjet ved at slippe tænd/sluk-kontakten. Sluk for værktøjet efter arbejde i konstant funktion ved at trykke på tænd/sluk-kontakten en gang mere for at udløse den.

Sådan tømmes støvbeholderen

Støvbeholderen (2) bør tømmes hvert 10. minut.

- ◆ Træk støvbeholderen (6) bagud og af værktøjet væk fra forbindelsesporten.
- ◆ Tøm den i en passende beholder og sæt den på plads på værktøjet.

Gode råd mhp. optimal brug

- ◆ Værktøjet kan betjenes med en eller begge hænder (fig. G, H, I) efter brugerens ønske. Sæt ikke hænderne over ventilationsåbningerne.
- ◆ Tryk ikke for kraftigt på værktøjet.
- ◆ Kontroller regelmæssigt slibebarkets tilstand. Udskift det, når det er nødvendigt.
- ◆ Slib altid med åreerne i træet.
- ◆ Anvend ekstra finkornet slibepapir mellem påføring af malingslag.
- ◆ På meget ujævne overflader, eller når man fjerner lag af maling, skal man starte med en grov kornstørrelse. På andre overflader startes der med en mellemfin kornstørrelse. I begge tilfælde skal du gradvist skifte til en fin kornstørrelse for at opnå en glat finish.
- ◆ Få flere oplysninger om tilgængeligt tilbehør hos detailhandleren.

Vedligeholdelse

Dit Stanley® Fatmax®-værktøj er konstrueret til at kunne anvendes i lang tid med et minimum af vedligeholdelse. Vedvarende tilfredsstillende funktion er afhængig af, om apparatet plejes korrekt og rengøres regelmæssigt.

Advarsel! Før udførelse af nogen form for vedligeholdelse på værktøjet: Tag laderen ud af stikkontakten, inden den rengøres.

- ◆ Rengør regelmæssigt værktøjets ventilationshuller med en blød børste eller en tør klud.
- ◆ Rengør med jævn mellemrum motorhuset med en fugtig klud. Der må ikke bruges skuremidler eller opløsningsmidler.

Udskiftning af netstik (kun Storbritannien og Irland)

Hvis et nyt lysnetstik skal monteres:

- ◆ Det gamle stik skal bortskaffes på en sikker måde.
- ◆ Slut den brune ledning til den strømførende klemme på det nye stik.
- ◆ Slut den blå ledning til den neutrale klemme.

Advarsel! Der skal ikke tilsluttes til jordklemmen.

Følg de monteringsinstruktioner, der følger med stik af god kvalitet.

Anbefalet sikring: 5 A.

Miljøbeskyttelse



Særskilt bortskaffelse. Produkter og batterier mærket med dette symbol må ikke bortskaffes sammen med normalt husholdningsaffald.

Produkter og batterier indeholder materialer, der kan genvindes eller genbruges og således reducere efterspørgslen efter råvarer.

Genbrug venligst elektriske produkter og batterier i henhold til lokale bestemmelser. Yderligere oplysninger findes på www.2helpU.com.

Tekniske data

		KFFMEW210	FMEW214
Indgangsspænding	V_{AC}	230	230
Effektindgang	W	280	280
Svingninger (uden belastning)	min^{-1}	24000	24000
Omløb (uden belastning)	min^{-1}	12000	12000
Slibefodens overflade	mm	187 x 90	187 x 90
Vægt	kg	2.0	2.0

Lydtrykniveau i henhold til EN 62841:

KFFMEW210 Lydtryk (L_{WA}) 85 dB(A), usikkerhed (K) 3 dB(A)

FMEW214 Lydtryk (L_{WA}) 85 dB(A), usikkerhed (K) 3 dB(A)

KFFMEW210 Lydeffekt (L_{WA}) 96 dB(A), usikkerhed (K) 3 dB(A)

FMEW214 Lydeffekt (L_{WA}) 96 dB(A), usikkerhed (K) 3 dB(A)

Samlede værdier for vibration (triaksial vektorsum) i henhold til EN 62841:

KFFMEW210 (a_v) 6 m/s^2 , usikkerhed (K) 1,5 m/s^2

FMEW214 (a_v) 6 m/s^2 , usikkerhed (K) 1,5 m/s^2

EU-overensstemmelseserklæring

MASKINDIREKTIV



KFFMEW210, FMEW214 Pudsemaskine

Stanley Europe erklærer, at produkterne beskrevet under "Tekniske data" er i overensstemmelse med: 2006/42/EC, EN62841-1:2015, EN62841-2-4:2014.

Disse produkter er endvidere i overensstemmelse med direktiv 2014/30/EU og 2011/65/EU. Kontakt Stanley Europe på nedenstående adresse, eller se vejledningens bagside for at få flere oplysninger.

Undertegnede er ansvarlig for udarbejdelsen af de tekniske data og fremsætter denne erklæring på vegne af Stanley® Fatmax®.

R. Laverick
Direktør for konstruktioner
Stanley Europe, Egide Walschaertsstraat 14-18,
2800 Mechelen, Belgien
28/08/2018

Garanti

Stanley® Fatmax® er sikker på kvaliteten af sine produkter og giver forbrugere en garanti på 12 måneder fra købsdatoen. Garantien er et tillæg til forbrugers lovæssige rettigheder og påvirker ikke disse. Garantien er gyldig inden for medlemsstaterne af Den Europæiske Union og Det Europæiske Frihandelsområde.

Når du gør krav på garantien, skal kravet være i overensstemmelse med Stanley® Fatmax® vilkår og betingelser, og du skal indsende dokumentation for købet til sælgeren eller til en autoriseret reparatør. Vilkår og betingelser for Stanley® Fatmax® 1 års garanti og placeringen af dit nærmeste autoriserede serviceværksted kan fås på internettet på www.2helpU.com, eller ved at kontakte dit lokale Stanley® Fatmax® kontor på den adresse, der er angivet i denne vejledning.

Besøg venligst vores websted www.stanley.eu/3 for at registrere dit nye Stanley® Fatmax®-produkt og modtage opdateringer om nye produkter og specielle tilbud.

(Alkuperäisten ohjeiden käännös)

SUOMI

Käyttötarkoitus

FMEW214, KFFMEW210 Stanley® Fatmax® -hiomakoneet on tarkoitettu puun, metallin, muovien ja maalipintojen hiomiseen. Työkalu on tarkoitettu sekä ammatti- että yksityiskäyttöön.

Turvallisuusohjeet

Sähkötyökalujen yleiset turvavaroitukset



Varoitus! Lue kaikki tämän sähkötyökalun mukana toimitetut varoitukset, käyttöohjeet ja tekniset tiedot. Alla olevien varoitusten ja ohjeiden noudattamisen laiminlyönti saattaa johtaa sähköiskuun, tulipaloon ja/tai vakavaan loukkaantumiseen.

Säästä kaikki varoitukset ja ohjeet tulevaa käyttöä varten. Ohjeissa käytetty käsite "sähkötyökalu" tarkoittaa verkkokäyttöisiä sähkötyökaluja (verkkojohdolla varustettuja) ja akkukäyttöisiä sähkötyökaluja (ilman verkkojohtoa).

1. Työalueen turvallisuus

- Pidä työalue puhtaana ja hyvin valaistuna.** Onnettomuuksia sattuu herkemmin epäsiistissä tai huonosti valaistussa ympäristössä.
- Älä käytä sähkötyökalua räjähdysalttiissa ympäristössä, jossa on syttyvää nestettä, kaasua tai pölyä.** Sähkötyökalujen aiheuttamat kipinät voivat sytyttää pölyn tai kaasut.
- Pidä lapset ja sivulliset loitolla sähkötyökalua käytettäessä.** Keskittymiskyvyn herpaantuminen voi aiheuttaa hallinnan menettämisen.

2. Sähköturvallisuus

- a. **Sähkötyökalun pistokkeen on sovittava pistorasiaan. Älä koskaan tee pistokkeeseen mitään muutoksia. Älä yhdistä maadoitettua sähkötyökalua jatkojohtoon.** Sähköiskun vaara vähenee, jos pistokkeisiin ei tehdä muutoksia ja ne yhdistetään vain niille tarkoitettuihin pistorasioihin.
- b. **Vältä koskettamasta maadoitettuja pintoja, kuten putkia, lämpöpattereita, liesiä tai jääkaappeja.** Voit saada sähköiskun, jos kehosi on maadoitettu.
- c. **Älä altista sähkötyökalua sateelle tai kosteudelle.** Sähkötyökaluun menevä vesi lisää sähköiskun vaaraa.
- d. **Älä käsittele virtajohtoa kovakouraisesti. Älä kannata työkaluja sähköjohdosta tai vedä pistoketta pistorasiasta sähköjohdon avulla. Pidä sähköjohto kaukana kuumuudesta, öljystä, terävistä reunoista tai liikkuvista osista.** Vaurioituneet tai sokeutuneet johdot lisäävät sähköiskun vaaraa.
- e. **Käyttäessäsi sähkötyökalua ulkona käytä ainoastaan ulkokäyttöön soveltuvaa jatkojohtoa.** Ulkokäyttöön tarkoitettun sähköjohdon käyttäminen vähentää sähköiskun vaaraa.
- f. **Jos sähkötyökalua on välttämättä käytettävä kosteassa paikassa, käytä vikavirtasuojalla (RCD) suojattua virtalähdettä.** Tämä vähentää sähköiskun vaaraa.

3. Henkilöturvallisuus

- a. **Ole valpas, keskity työhön ja noudata tervettä järkeä sähkötyökalun käytössä. Älä käytä tätä työkalua ollessasi väsynyt tai alkoholin, huumeiden tai lääkkeiden vaikutuksen alaisena.** Keskittymisen herpaantuminen hetkeksikin sähkötyökalua käytettäessä voi aiheuttaa vakavan henkilövahingon.
- b. **Käytä henkilökohtaisia suojavarusteita. Käytä aina suojalaseja.** Hengityssuojaimen, liukumattomien turvajalkineiden, kypärän ja kuulonsuojaimen käyttäminen vähentää henkilövahinkojen vaaraa.
- c. **Vältä tahatonta käynnistämistä. Varmista, että kytkin on OFF-asennossa, ennen kuin liität laitteen virtalähteeseen ja/tai akkuun, nostat laitteen tai kannat sitä.** Sähkötyökalun kantaminen sormi virtakytkimellä lisää onnettomuusvaaraa.
- d. **Irrota mahdollinen säätö- tai kiintoavain ennen kuin käynnistät sähkötyökalun.** Sähkötyökalun pyöriivään osaan kiinni jäänyt avain voi johtaa loukkaantumiseen.
- e. **Älä kurkota. Huolehdi siitä, että sinulla on koko ajan tukeva jalansija ja hyvä tasapaino.** Näin voit hallita sähkötyökalua paremmin odottamattomissa tilanteissa.
- f. **Käytä tarkoitukseen soveltuvia vaatteita. Älä käytä löysiä vaatteita tai koruja. Pidä hiukset, vaatteet ja kädet loitolla liikkuvista osista.**

Löysät vaatteet, korut tai pitkät hiukset voivat tarttua liikkuviin osiin.

- g. **Jos työkalun voi liittää pölynimuriin, tarkista, että liitos on tehty asianmukaisesti ja että laitteita käytetään oikealla tavalla.** Pölyn ottaminen talteen voi vähentää pölyn aiheuttamia vaaroja.
 - h. **Vaikka käyttäisit usein työkaluja ja sinulla olisi niistä hyvä tuntemus, älä jätä lukematta työkalun turvallisuusohjeita.** Huolimattomuus voi johtaa vakaviin henkilövahinkoihin jopa sekunnin murto-osassa.
- ## 4. Sähkötyökalujen käyttö ja hoito
- a. **Älä yliuormita sähkötyökalua. Valitse käyttötarkoituksen kannalta oikea sähkötyökalu.** Sähkötyökalu toimii paremmin ja turvallisemmin, kun sitä käytetään sille suunniteltuun käyttötarkoitukseen.
 - b. **Älä käytä sähkötyökalua, jota ei voida käynnistää ja pysäyttää virtakytkimestä.** Jos sähkötyökalua ei voi hallita kytkimen avulla, se on vaarallinen ja se on korjattava.
 - c. **Irrota pistotulppa pistorasiasta ja/tai akku laitteesta ennen kuin suoritat säätöjä, vaihdat tarvikkeita tai siirrä sähkötyökalun varastoitavaksi.** Näin voit vähentää vahingossa käynnistymisen aiheuttaman henkilövahingon vaaraa.
 - d. **Säilytä sähkötyökalut poissa lasten ulottuvilta, kun niitä ei käytetä. Älä anna sähkötyökalua sellaisen henkilön käyttöön, joka ei tunne sitä tai joka ei ole tutustunut tähän käyttöohjeeseen.** Sähkötyökalut ovat vaarallisia kouluttamattomien käyttäjien käsissä.
 - e. **Hoida sähkötyökaluasi ja lisävarusteita huolella.** Tarkista, että liikkuvat osat toimivat moitteettomasti ja etteivät ne ole puristuksessa. Tarkista myös, ettei työkalussa ei ole murtuneita tai vahingoittuneita osia, jotka saattaisivat vaikuttaa haitallisesti sen toimintaan. Jos havaitset vaurioita, korjauta sähkötyökalu ennen niiden käyttämistä. Huonosti kunnossapidetyt sähkötyökalut aiheuttavat onnettomuuksia.
 - f. **Pidä leikkausterät terävinä ja puhtaina.** Kunnossa pidettyjen leikkaavien teräviä reunoja sisältävien työkalut todennäköisyys jumiutua vähenee, ja niitä on helpompi hallita.
 - g. **Käytä sähkötyökaluja, tarvikkeita, vaihtoteriä yms. näiden ohjeiden mukaisesti. Ota tällöin huomioon työolosuhteet ja suoritettava toimenpide.** Jos sähkötyökalua käytetään näiden ohjeiden vastaisesti, voi syntyä vaaratilanne.
 - h. **Pidä kahvat ja kädensijat kuivina ja puhtaina öljystä ja rasvasta.** Liukkaat kahvat ja kädensijat estävät työkalun turvallisen käsittelyn ja hallinnan odottamattomissa tilanteissa.

5. Huolto

- a. Korjauta sähkötyökalu koulutetulla ja ammattitaitoisella henkilöllä ja hyväksi korjauksiin vain alkuperäisiä varaosia. Tämä varmistaa sähkötyökalun turvallisuuden.

Sähkötyökalujen lisäturvavaroitukset



Varoitus! Lisäturvavaroitukset hiomakoneelle.

- ◆ **Pidä sähkötyökalua vain sen eristetyistä tarttumapinnoista, koska hiomapinta saattaa osua omaan johtoonsa.** Työkalun kosketus jännitteisen johtimen kanssa voi tehdä myös työkalun paljaista metalliosista jännitteisiä ja aiheuttaa sähköiskun käyttäjälle.
- ◆ **Käytä puristimia tai muuta käytännöllistä tapaa kiinnittää ja tukea työstökappale tukevalle alustalle.** Työn pitäminen käsin tai vartaloa vasten on epävakaata ja saattaa johtaa kontrollin menetykseen.
- ◆ **Varoitus! Hiontatyöstä syntyvä pöly voi aiheuttaa terveyshaittoja käyttäjälle ja mahdollisille sivullisille.** Käytä kasvosuojusta, joka on erityisesti tarkoitettu suojaamaan pölyltä ja höyryiltä, ja varmista, että kaikki työskentelyalueella olevat ja sinne tulevat henkilöt käyttävät suojavarusteita.
- ◆ **Poista pöly huolellisesti hiomisen jälkeen.**
- ◆ **Ole erityisen varovainen hioessasi liijyä mahdollisesti sisältäviä maalipintoja tai puu- ja metallipintoja, joista voi irrota myrkyllistä hiomapölyä:**
 - ◆ Älä päästä lapsia tai raskaana olevia naisia työalueelle.
 - ◆ Älä syö, juo tai tupakoi työalueella.
 - ◆ Hävitä pöly ja muu jäte ympäristöystävällisesti.
- ◆ **Tarkoitettu käyttö on kuvattu tässä käyttöohjeessa.** Käytä työkalua ainoastaan sellaiseen työhön, johon se on tarkoitettu, ja käytä vain tässä käyttöohjeessa suositeltuja tarvikkeita ja lisälaitteita. Ohjeesta poikkeava käyttö voi aiheuttaa henkilö- ja/tai omaisuusvahinkoja.

Muiden henkilöiden turvallisuus

- ◆ Tätä laitetta ei ole tarkoitettu sellaisten henkilöiden (mukaan lukien lapset) käytettäväksi, joiden fyysiset, aistilliset tai henkiset kyvyt tai kokemus ovat rajalliset, ellei heidän turvallisuudestaan vastuussa oleva henkilö valvo tai ohjaa heitä laitteen käytössä.
- ◆ Lapsia tulee valvoa, jotta he eivät leikkisi laitteella.

Muut riskit.

Myös muut kuin turvavaroituksissa mainitut riskit ovat mahdollisia laitetta käytettäessä. Nämä riskit voivat liittyä muun muassa virheelliseen tai pitkäaikaiseen käyttöön. Tiettyjä jännönsirkejä ei voi välttää, vaikka noudatetaan kaikkia turvamaarayksisiä ja käytät turvalaitteita. Näitä ovat:

- ◆ Pyörivien tai liikkuvien osien koskettamisen aiheuttamat vahingot.
- ◆ Osia, terä tai lisävarusteita vaihdettaessa aiheutuneet vahingot.
- ◆ Työkalun pitkäaikaisen käytön aiheuttamat vahingot. Varmista, että pidät säännöllisesti taukoja laitteen pitkäaikaisen käytön aikana.
- ◆ Kuulon heikkeneminen.
- ◆ Työkalua käytettäessä (esimerkiksi puuta, erityisesti tammea, pöykkiä ja MDF-levyjä, käsiteltäessä) syntyneen pölyn sisäänhengityksen aiheuttamat terveysriskit.

Tärinä

Teknisissä tiedoissa ja vaatimustenmukaisuusvakuutuksessa ilmoitettu tärinäpäästöarvo on mitattu EN62841-standardin testausmenetelmän mukaisesti, ja arvoa voi käyttää työkalujen keskinäiseen vertailuun. Ilmoitettua tärinäpäästöarvoa voi käyttää myös altistumisen alustavaan arviointiin.

Varoitus! Sähkötyökalun käytön aikana mitattu todellinen tärinäpäästöarvo voi poiketa ilmoitetusta tärinäpäästöarvosta työkalun käyttötavan mukaan. Tärinätasoa voi olla ilmoitettua tasoa suurempi.

Kun tärinälle altistumista arvioidaan sen määrittämiseksi, mitä direktiivin 2002/44/EY mukaisia turvatoimenpiteitä vaaditaan sähkötyökaluja säännöllisesti käyttävien henkilöiden suojelemiseksi, tärinälle altistumisen arvioinnissa on otettava huomioon todelliset käyttöolosuhteet ja työkalun käyttötavat. Todellisen käytön lisäksi on kiinnitettävä huomiota myös siihen, milloin työkalu on sammutettuna tai se käy tyhjäkännillä.

Työkalun tarrat

Työkaluun on merkitty päivämääräkoodi sekä seuraavat varoitusmerkinnät:



Varoitus! Käyttäjän on luettava käyttöohje vahinkojen välttämiseksi.

Sähköturvallisuus



Tämä laite on kaksoiseristetty, joten erillistä maadoitusta ei tarvita. Tarkista aina, että verkkovirran jännite vastaa tyyppikilpeen merkittyä jännitettä.

- ◆ Jos virtajohdon vaihto on tarpeen, se on turvallisuusystävällisesti jätettävä valmistajan tai valtuutetun Stanley FatMax-huollon tehtäväksi.

Yleiskuvasu

Tässä laitteessa on joitakin tai kaikki seuraavista ominaisuuksista. 1. Virtakytkin

2. Lukituspainike
3. Hioma-alusta
4. Paperinkiinnitinvipu
5. Nopeudensäätönappi
6. Pölysäiliö

Asennus

Varoitus! Varmista ennen kokoamista, että virta on katkaistu ja että virtajohto on irti pistorasiasta.

Hiomapaperien kiinnittäminen (kuvat A, B, C, D)

Varoitus! Älä käytä konetta ilman hiomapaperia tai lisäosaa.

Hiomapaperien kiinnittäminen nailonsilmukoiden avulla (kuva A)

- ◆ Varmista, että työkalun virta on katkaistu ja että virtajohto on irti pistorasiasta.
- ◆ Paina paperi tiukasti ja tasaisesti kiinni hioma-alustaan (3).

Tavallisten hiomapaperien kiinnittäminen (kuva B, C, D)

- ◆ Varmista, että työkalun virta on katkaistu ja että virtajohto on irti pistorasiasta.
- ◆ Pehmitä hiomapaperia hankaamalla sen taustapuolta työtason reunaa vasten.
- ◆ Vapauta paperinkiinnitinvivut (4) uristaan työntämällä niitä ylöspäin ja avaa paperinkiinnittimet painamalla ne alas (kuva B).
- ◆ Aseta paperi hioma-alustalle (3) (kuva C).
- ◆ Sijoita hiomapaperin reuna etummaiseen paperinkiinnittimeen kuvan mukaisesti (kuva D).
- ◆ Paina etummaista paperinkiinnitinvipua (4) alaspäin ja aseta se uraansa.
- ◆ Kiristä paperi vetämällä sitä hiukan ja sijoita paperin takareuna taaempaan paperinkiinnittimeen.
- ◆ Paina takimmaista paperinkiinnitinvipua (4) alaspäin ja aseta se uraansa.

Pölysäiliön kiinnittäminen ja irrottaminen (kuva E)

- ◆ Kiinnitä pölysäiliö (6) pölynpoistoaukon (7) päälle.
- ◆ Työnnä pölysäiliö työkalun päälle ja varmista, että se on tukevasti paikallaan.
- ◆ Voit poistaa pölysäiliön vetämällä sitä taaksepäin ja pois aukosta.

Käyttö

Varoitus! Anna työkalun käydä omaan tahtiinsa. Älä ylikuormita sitä.

Varoitus! Älä peitä ilma-aukkoja työkalun käytön aikana. Varmista, että hioma-alusta on tasaisesti työstökappaleessa.

Nopeudensääätö

Nopeudensäädön avulla voit sovittaa työkalun nopeuden työstettävään materiaaliin sopivaksi.

- ◆ Aseta säätönuppi (5) haluamaasi asentoon. Hio puuta suurimmalla nopeudella, vaneria ja synteettisiä aineita keskinopeudella, akryyliä, raudattomia metalleja ja poistettavaa maalia hitaalla nopeudella.

Käynnistys ja pysäytys (kuva F)

- ◆ Käynnistä laite painamalla virtakytkintä (1).
- ◆ Jatkuvaa käyttöä varten paina lukituspainiketta (2) ja vapauta virtakytkin.
- ◆ Sammuta laite vapauttamalla virtakytkin. Sammuta työkalu jatkuvan käytön jälkeen painamalla kerran virtakytkintä ja vapauttamalla se.

Pölysäiliön tyhjentäminen

Pölysäiliö (2) on tyhjennettävä kymmenen minuutin välein.

- ◆ Vedä pölysäiliötä (6) taaksepäin ja pois laitteesta liitännästä pois päin.
- ◆ Tyhjennä säiliö asianmukaiseen astiaan ja asenna se takaisin paikoilleen työkaluun.

Vinkkejä parhaimman tuloksen saavuttamiseksi

- ◆ Työkalua voidaan käyttää yhdellä kädellä tai molemmin käsin (kuvat G, H, I). Älä pidä käsiä ilma-aukkojen päällä.
- ◆ Älä paina työkalua liikaa.
- ◆ Tarkista hiomapaperin kunto säännöllisesti. Vaihda tarvittaessa.
- ◆ Hio aina puun syiden mukaisesti.
- ◆ Hiottaessa maalikerrosten välillä käytä erittäin hienoa hiomapaperia.
- ◆ Aloita karkealla hiomapaperilla hioessasi epätasaisia pintoja tai poistaessasi maalia. Kun hiot muunlaisia pintoja, aloita keskikarkealla hiomapaperilla. Molemmissa tapauksissa vaihda asteittain hienompaan hiomapaperiin tasaisen pinnan saavuttamiseksi.
- ◆ Saat lisätietoja saatavilla olevista tarvikkeista jälleenmyyjiltäisi.

Huolto

Stanley® Fatmax®-työkalu on suunniteltu toimimaan mahdollisimman pitkään mahdollisimman vähällä huollolla. Oikea käsittely ja säännöllinen puhdistus varmistavat laitteen ongelmattoman toiminnan.

Varoitus! Ennen huoltamista ja puhdistamista laite on irrotettava laturista.

- ◆ Puhdista laitteen ilma-aukot säännöllisesti pehmeällä harjalla tai kuivalla rievulla.
- ◆ Puhdista moottorin kotelo säännöllisesti kostealla liinalla. Älä käytä hankaavia tai liuotinpohjaisia puhdistusaineita.

Noraverkkopistoke (vain Iso-Britannia ja Irlanti)

Jos uusi verkkopistoke täytyy asentaa:


- ◆ Hävitä vanha pistoke ympäristöystävällisesti.
- ◆ Liitä ruskea johto uuden pistokkeen jännitteeseen napaan.
- ◆ Liitä sininen johto tähtipisteliittimeen.

Varoitus! Maadoitusliittimeen ei tule tehdä liitoksia.

Noudata korkealaatuisten pistokkeiden mukana toimitettuja asennusohjeita.

Suositteltu varoke: 5 A.

Ympäristönsuojelu

 Toimita tämä laite erilliskeräykseen. Tällä symbolilla merkityt tuotteita ja akkuja ei saa hävittää tavallisen kotitalousjätteen mukana.

Tuotteissa ja akuissa on materiaaleja, jotka voidaan ottaa talteen tai kierrättää uudelleen käyttöä varten.

Kierrätä sähkölaitteet ja akut paikallisten määräyksien mukaan. Lisätietoa on saatavilla osoitteessa www.2helpU.com.

Tekniset tiedot

		KFFMEW210	FMEW214
Syöttöjännite	V _{AC}	230	230
Ottoteho	W	280	280
Väärätelyt (ilman kuormaa)	min ⁻¹	24000	24000
Kierrokset (ilman kuormaa)	min ⁻¹	12000	12000
Hioma-alustan pinta	mm	187 x 90	187 x 90
Paino	kg	2.0	2.0

Äänenpainetaso, määritetty EN 62841 -standardin mukaan:

KFFMEW210 Äänenpaine (L_{WA}) 85 dB(A), epävarmuus (K) 3 dB(A)

FMEW214 Äänenpaine (L_{WA}) 85 dB(A), epävarmuus (K) 3 dB(A)

KFFMEW210 Äänitehotaso (L_{WA}) 96 dB(A), epävarmuus (K) 3 dB(A)

FMEW214 Äänitehotaso (L_{WA}) 96 dB(A), epävarmuus (K) 3 dB(A)

Tärinän kokonaisarvot (vektorisumma) standardin EN 62841 mukaisesti:

KFFMEW210 (a_v) 6 m/s², epävarmuus (K) 1,5 m/s²

FMEW214 (a_v) 6 m/s², epävarmuus (K) 1,5 m/s²

EY-vaatimustenmukaisuusvakuutus

KONEDIREKTIIVI



KFFMEW210, FMEW214 Hiomakone

Stanley Europe ilmoittaa, että tuotteet, jotka on kuvattu kohdassa Tekniset tiedot, täyttävät seuraavien direktiivien vaatimukset:

2006/42/EY, EN62841-1:2015, EN62841-2-4:2014.

Nämä tuotteet täyttävät myös direktiivien 2014/30/EU ja 2011/65/EU vaatimukset. Lisätietoja saa ottamalla yhteyttä Stanley Europeen seuraavassa osoitteessa. Tiedot ovat myös käyttöoppaan takakannessa.

Allekirjoittanut vastaa teknisten tietojen kokoamisesta ja antaa tämän ilmoituksen Stanley® Fatmax® -yhtiön puolesta.

R. Laverick

Teknisen osaston johtaja

Stanley Europe, Egide Walschaertsstraat 14-18,

2800 Mechelen, Belgium

28.8.2018

Takuu

Stanley® Fatmax® on vakuuttunut tuotteidensa korkeasta laadusta ja tarjoaa kuluttajille 12 kuukauden takuun, joka astuu voimaan ostopäivänä. Takuu on lisäys kuluttajan laillisiin oikeuksiin eikä vaikuta niihin. Tämä takuu on voimassa kaikissa EU- ja ETA-maissa.

Edellytyksenä takuun saamiselle on, että vaade täyttää Stanley® Fatmax® -yhtiön ehdot ja että ostaja toimittaa ostotosiitteen jälleenmyyjälle tai valtuutetulle huoltoliikkeelle. Stanley® Fatmax® -yhtiön yhden vuoden takuun ehdot ja lähimmän valtuutetun korjauspalvelun yhteystiedot ovat saatavilla osoitteessa www.2helpU.com tai ottamalla yhteyttä paikalliseen Stanley® Fatmax® -toimipisteeseen tässä ohjekirjassa ilmoitettuihin osoitteisiin.

Käy verkkosivuillemme osoitteessa www.stanley.eu/3 ja rekisteröi uusi Stanley® Fatmax® -tuotteesi saadaksesi tietoa uusista tuotteista ja erikoistarjouksista.

(Μετάφραση των πρωτότυπων οδηγιών)

ΕΛΛΗΝΙΚΑ

Προβλεπόμενη χρήση

Τα τριβεία FMEW214, KFFMEW210 Stanley® Fatmax® έχουν σχεδιαστεί για τη λείανση ξύλου, μετάλλου, πλαστικών και βαμμένων επιφανειών. Αυτά τα εργαλεία προορίζονται για επαγγελματική και ιδιωτική, μη επαγγελματική χρήση.

Οδηγίες ασφαλείας

Γενικές προειδοποιήσεις ασφαλείας για ηλεκτρικά εργαλεία



Προειδοποίηση! Διαβάστε όλες τις προειδοποιήσεις ασφαλείας, τις οδηγίες, τις απεικονίσεις και τις προδιαγραφές που συνοδεύουν αυτό το ηλεκτρικό εργαλείο. Η μη τήρηση των παρακάτω προειδοποιήσεων και οδηγιών μπορεί να προκαλέσει ηλεκτροπληξία, πυρκαγιά και/ή σοβαρές σωματικές βλάβες.

Φυλάξτε όλες τις προειδοποιήσεις και τις οδηγίες για μελλοντική αναφορά.

Ο όρος "ηλεκτρικό εργαλείο" που χρησιμοποιείται σε όλες τις παρακάτω προειδοποιήσεις, αναφέρεται είτε σε εργαλείο που λειτουργεί με ρεύμα δικτύου (ρεύματος - με καλώδιο) είτε σε εργαλείο που λειτουργεί με μπαταρία (μπαταρίας - χωρίς καλώδιο).

1. Ασφάλεια χώρου εργασίας

- α. Διατηρείτε το χώρο εργασίας καθαρό και καλά φωτισμένο. Οι ατακτοποιητοι ή σκοτεινοί χώροι γίνονται αιτίες ατυχημάτων.
- β. Μη χρησιμοποιείτε ηλεκτρικά εργαλεία σε περιβάλλον όπου υπάρχει κίνδυνος έκρηξης, όπως με παρουσία εύφλεκτων υγρών, αερίων ή σκόνης. Τα ηλεκτρικά εργαλεία παράγουν σπινθήρες που μπορεί να προκαλέσουν ανάφλεξη της σκόνης ή των αναθυμιάσεων.
- γ. Όταν χρησιμοποιείτε ηλεκτρικό εργαλείο, κρατάτε μακριά τα παιδιά και άλλα άτομα. Παράγοντες που αποσπούν την προσοχή μπορεί να σας κάνουν να χάσετε τον έλεγχο.

2. Ασφαλής χρήση ηλεκτρικού ρεύματος

- α. Τα φως των ηλεκτρικών εργαλείων πρέπει να ταιριάζουν στην πρίζα. Σε καμία περίπτωση μην τροποποιήσετε το φως, με κανένα τρόπο. Μη χρησιμοποιείτε φως προσαρμογής με γειωμένα ηλεκτρικά εργαλεία. Τα φως που δεν έχουν υποστεί τροποποιήσεις και οι κατάλληλες πρίζες μειώνουν τον κίνδυνο ηλεκτροπληξίας.
- β. Αποφεύγετε την επαφή του σώματός σας με γειωμένες επιφάνειες, όπως σωλήνες, καλοριφέρ, κουζίνες και ψυγεία. Υπάρχει αυξημένος κίνδυνος ηλεκτροπληξίας αν το σώμα σας είναι γειωμένο.
- γ. Μην εκθέτετε τα ηλεκτρικά εργαλεία σε βροχή ή υγρασία. Η διείσδυση νερού σε ένα ηλεκτρικό εργαλείο αυξάνει τον κίνδυνο ηλεκτροπληξίας.
- δ. Μην κακομεταχειρίζεστε το καλώδιο. Ποτέ μη χρησιμοποιήσετε το καλώδιο για να μεταφέρετε, να τραβήξετε ή να αποσυνδέσετε από την πρίζα το ηλεκτρικό εργαλείο. Κρατάτε το καλώδιο μακριά από θερμότητα, λάδια, αιχμηρά άκρα ή κινούμενα μέρη. Τα καλώδια που έχουν υποστεί ζημιά ή είναι μπερδεμένα αυξάνουν τον κίνδυνο ηλεκτροπληξίας.
- ε. Όταν χρησιμοποιείτε ηλεκτρικό εργαλείο σε εξωτερικούς χώρους, να χρησιμοποιείτε πάντοτε καλώδιο επέκτασης κατάλληλο για εργασία σε εξωτερικούς χώρους. Η χρήση καλωδίου κατάλληλου για εργασία σε εξωτερικούς χώρους μειώνει τον κίνδυνο ηλεκτροπληξίας.
- στ. Εάν είναι αναπόφευκτη η χρήση ενός ηλεκτρικού εργαλείου σε συνθήκες υγρασίας, χρησιμοποιήστε μια διάταξη προστασίας από ρεύμα διαρροής (RCD). Η χρήση μιας διάταξης RCD μειώνει τον κίνδυνο ηλεκτροπληξίας.

3. Προσωπική ασφάλεια

- α. Όταν χρησιμοποιείτε ηλεκτρικό εργαλείο, να είστε σε εγρήγορση, να συγκεντρώσετε στην εργασία που κάνετε και να επιστρατεύετε την κοινή λογική. Μη χρησιμοποιείτε ηλεκτρικό εργαλείο όταν είστε κουρασμένος/η ή υπό την επήρεια ναρκωτικών, οινοπνεύματος ή φαρμακευτικής αγωγής. Μια στιγμή απροσεξίας κατά τη χρήση ηλεκτρικών εργαλείων μπορεί να προκαλέσει σοβαρό τραυματισμό.
- β. Να χρησιμοποιείτε ατομικό εξοπλισμό προστασίας. Πάντα φοράτε προστασία ματιών. Ο εξοπλισμός προστασίας, όπως μάσκα κατά της σκόνης, αντιολισθητικά παπούτσια ασφαλείας, κράνος ή προστασία ακοής, όταν χρησιμοποιείται για τις κατάλληλες συνθήκες, θα μειώσει τους τραυματισμούς και τις σωματικές βλάβες.
- γ. Αποτρέψτε την ακούσια ενεργοποίηση. Βεβαιωθείτε ότι ο διακόπτης βρίσκεται στη θέση απενεργοποίησης, πριν συνδέσετε το εργαλείο στην πηγή ρεύματος και/ή τοποθετήσετε το πακέτο μπαταρίας, καθώς και πριν πάρετε στα χέρια σας ή μεταφέρετε το εργαλείο. Η μεταφορά ηλεκτρικών εργαλείων με το δάχτυλο πάνω στο διακόπτη ή η σύνδεση στο ρεύμα ηλεκτρικών εργαλείων με το διακόπτη στη θέση ενεργοποίησης, ενέχει κινδύνους ατυχημάτων.
- δ. Πριν θέσετε το ηλεκτρικό εργαλείο σε λειτουργία, αφαιρέστε τυχόν εργαλεία ή κλειδιά ρύθμισης. Εάν αφήσετε ένα εργαλείο ή κλειδί πάνω σε κάποιο περιστρεφόμενο εξάρτημα του ηλεκτρικού εργαλείου, μπορεί να προκληθούν τραυματισμοί.
- ε. Μην τεντώνετε υπερβολικά. Διατηρείτε πάντα σταθερή στήριξη στα πόδια σας και καλή ισορροπία. Έτσι μπορείτε να έχετε καλύτερο έλεγχο του ηλεκτρικού εργαλείου σε μη αναμενόμενες καταστάσεις.
- στ. Φοράτε κατάλληλη ενδυμασία εργασίας. Μη φοράτε φαρδιά ρούχα ούτε κοσμήματα. Κρατάτε τα μαλλιά, τα ρούχα και τα γάντια σας μακριά από κινούμενα μέρη. Τα φαρδιά ρούχα, τα κοσμήματα και τα μακριά μαλλιά μπορούν να πιαστούν σε κινούμενα μέρη.
- ζ. Αν παρέχονται διατάξεις για τη σύνδεση συστημάτων απομάκρυνσης και συλλογής της σκόνης, βεβαιωθείτε ότι αυτές είναι συνδεδεμένες και χρησιμοποιούνται σωστά. Η χρήση διατάξεων συλλογής της σκόνης μπορεί να μειώσει τους κινδύνους που προέρχονται από τη σκόνη.
- η. Μην αφήνετε την εξοικείωση που έχετε αποκτήσει από τη συχνή χρήση εργαλείων να σας επιτρέψει να εφησυχάσετε ώστε να αγνοείτε τις αρχές ασφαλούς χρήσης των εργαλείων. Μια απρόσεκτη ενέργεια μπορεί να προκαλέσει βαρύ τραυματισμό μέσα σε κλάσματα του δευτερολέπτου.

4. Χρήση και φροντίδα ηλεκτρικών εργαλείων
- α. Μην υπερφορτώνετε το ηλεκτρικό εργαλείο. Χρησιμοποιείτε το σωστό ηλεκτρικό εργαλείο για την εφαρμογή σας. Το σωστό ηλεκτρικό εργαλείο θα εκτελέσει την εργασία καλύτερα και ασφαλέστερα, με την ένταση χρήσης για την οποία σχεδιάστηκε.
- β. Μη χρησιμοποιήσετε το ηλεκτρικό εργαλείο αν ο διακόπτης του δεν μπορεί να το ενεργοποιεί και απενεργοποιεί. Ένα ηλεκτρικό εργαλείο του οποίου η λειτουργία δεν μπορεί να ελεγχθεί με το διακόπτη είναι επικίνδυνο και πρέπει να επισκευαστεί.
- γ. Αποσυνδέστε το φως από την πηγή ρεύματος και/ή το πακέτο μπαταρίας από το ηλεκτρικό εργαλείο, πριν διεξαγάγετε οποιαδήποτε ρύθμιση, αλλαγή αξεσουάρ ή όταν πρόκειται να αποθηκεύσετε το ηλεκτρικό εργαλείο. Τέτοια προληπτικά μέτρα ασφαλείας μειώνουν το κίνδυνο αθέλητης εκκίνησης του ηλεκτρικού εργαλείου.
- δ. Να φυλάσσετε μακριά από παιδιά τα ηλεκτρικά εργαλεία που δεν χρησιμοποιείτε. Μην αφήνετε να χρησιμοποιήσουν ηλεκτρικό εργαλείο άτομα που δεν είναι εξοικειωμένα με αυτό ή άτομα που δεν έχουν διαβάσει αυτές τις οδηγίες χρήσης. Τα ηλεκτρικά εργαλεία είναι επικίνδυνα στα χέρια μη εκπαιδευμένων χρηστών.
- ε. Συντηρείτε τα ηλεκτρικά εργαλεία και τα αξεσουάρ. Ελέγχετε για προβλήματα ευθυγράμμισης ή για μάγκωμα των κινούμενων εξαρτημάτων, θραύση εξαρτημάτων, καθώς και για οποιοδήποτε άλλο πρόβλημα μπορεί να επηρεάσει τη λειτουργία των ηλεκτρικών εργαλείων. Αν το ηλεκτρικό εργαλείο έχει υποστεί ζημιά, φροντίστε να επισκευαστεί πριν το χρησιμοποιήσετε. Η ανεπαρκής συντήρηση των ηλεκτρικών εργαλείων αποτελεί αιτία πολλών ατυχημάτων.
- στ. Διατηρείτε τα κοπτικά εργαλεία κοφτερά και καθαρά. Τα κοπτικά εργαλεία με κοφτερές κοπτικές αιχμές που συντηρούνται σωστά έχουν λιγότερες πιθανότητες να μαγκώσουν και ελέγχονται ευκολότερα.
- ζ. Να χρησιμοποιείτε το ηλεκτρικό εργαλείο, τα αξεσουάρ και τις μύτες του εργαλείου κλπ. σύμφωνα με τις παρούσες οδηγίες, λαμβάνοντας υπόψη σας τις συνθήκες εργασίας και την εργασία που θέλετε να εκτελέσετε. Η χρήση του ηλεκτρικού εργαλείου για εργασίες διαφορετικές από τις προβλεπόμενες θα μπορούσε να οδηγήσει σε επικίνδυνη κατάσταση.
- η. Διατηρείτε τις λαβές και τις επιφάνειες κρατήματος στεγνές, καθαρές και απαλλαγμένες από λάδι και γράσο. Οι ολισθηρές λαβές και επιφάνειες κρατήματος δεν επιτρέπουν τον ασφαλή χειρισμό και έλεγχο του εργαλείου σε μη αναμενόμενες καταστάσεις.

5. Σέρβις

- α. Αναθέτετε το σέρβις του ηλεκτρικού σας εργαλείου σε εξειδικευμένο τεχνικό επισκευών που χρησιμοποιεί μόνο γνήσια ανταλλακτικά. Έτσι θα εξασφαλίσετε τη διατήρηση της ασφάλειας του ηλεκτρικού εργαλείου.

Πρόσθετες προειδοποιήσεις ασφαλείας για ηλεκτρικά εργαλεία



Προειδοποίηση! Συμπληρωματικές προειδοποιήσεις ασφαλείας για τριβεία.

- ◆ Κρατάτε το ηλεκτρικό εργαλείο από μονωμένες επιφάνειες κρατήματος, επειδή η επιφάνεια γυαλοχαρτίσματος μπορεί να έρθει σε επαφή με το ίδιο του το καλώδιο. Η κοπή ενός ηλεκτροφόρου καλωδίου μπορεί να καταστήσει και τα εκτεθειμένα μεταλλικά μέρη του ηλεκτρικού εργαλείου ηλεκτροφόρα και να προκαλέσει ηλεκτροπληξία στο χειριστή του.
- ◆ Χρησιμοποιείτε σφιγκτήρες ή άλλο πρακτικό μέσο για να στερεώνετε και να στηρίζετε το αντικείμενο εργασίας σε σταθερό υπόβαθρο. Αν κρατάτε το αντικείμενο εργασίας με το χέρι σας ή κόντρα στο σώμα σας, αυτό δεν είναι σταθερό και μπορεί να προκληθεί απώλεια ελέγχου.
- ◆ Προειδοποίηση! Η επαφή με τη σκόνη που δημιουργούν οι εφαρμογές γυαλοχαρτίσματος ή η εισπνοή της σκόνης αυτής μπορεί να ενέχει κίνδυνο για την υγεία του χειριστή και των ατόμων που ενδεχομένως παρευρίσκονται. Φορέστε μάσκα σκόνης ειδικά σχεδιασμένη για προστασία από τη σκόνη και τις αναθυμιάσεις και βεβαιωθείτε ότι τα άτομα που βρίσκονται ή εισέρχονται στο χώρο εργασίας είναι επίσης προστατευμένα.
- ◆ Μετά τη λείανση, καθαρίστε καλά τη σκόνη.
- ◆ Να προσέχετε ιδιαίτερα κατά τη λείανση χρωμάτων, τα οποία ενδέχεται να έχουν ως βάση το μόλυβδο ή κατά τη λείανση ορισμένων ειδών ξύλου και μετάλλου, τα οποία ενδέχεται να παράγουν τοξική σκόνη:
 - ◆ Μην αφήνετε παιδιά ή εγκύους να εισέρχονται στην περιοχή εργασίας.
 - ◆ Μην τρώτε, πίνετε ή καπνίζετε στο χώρο εργασίας.
 - ◆ Συγκεντρώστε όλη τη σκόνη και τα άλλα υπολείμματα και απορρίψτε τα με τον κατάλληλο τρόπο.
- ◆ Η προβλεπόμενη χρήση περιγράφεται στο παρόν εγχειρίδιο οδηγιών. Η χρήση οποιουδήποτε αξεσουάρ ή προσαρτήματος ή η εκτέλεση με αυτό το εργαλείο οποιασδήποτε εργασίας διαφορετικής από αυτές που συνιστώνται στο παρόν εγχειρίδιο οδηγιών ενδέχεται να εγκυμονεί κίνδυνο σωματικής βλάβης και/ή υλικών ζημιών.

Ασφάλεια τρίτων

- ◆ Η συσκευή αυτή δεν προορίζεται για χρήση από άτομα (περιλαμβανομένων παιδιών) με μειωμένες σωματικές, αισθητηριακές ή διανοητικές ικανότητες, ή με έλλειψη εμπειρίας και γνώσης, εκτός αν σε αυτά έχει παρασχεθεί από άτομο υπεύθυνο για την ασφάλειά τους επίβλεψη ή εκπαίδευση σχετικά με τη χρήση της συσκευής.
- ◆ Τα παιδιά θα πρέπει να βρίσκονται υπό επίβλεψη ώστε να διασφαλίζεται ότι δεν παίζουν με τη συσκευή.

Υπολειπόμενοι κίνδυνοι.

Κατά τη χρήση του εργαλείου μπορεί να δημιουργηθούν πρόσθετοι υπολειπόμενοι κίνδυνοι, οι οποίοι ενδέχεται να μη συμπεριλαμβάνονται στις προειδοποιήσεις ασφαλείας που εσωκλείονται. Αυτοί οι κίνδυνοι μπορεί να προκληθούν από κακή χρήση, παρατεταμένη χρήση κλπ.

Παρά την εφαρμογή των σχετικών κανονισμών ασφαλείας και τη χρήση διατάξεων ασφαλείας, ορισμένοι υπολειπόμενοι κίνδυνοι δεν είναι δυνατό να αποφευχθούν. Σε αυτούς περιλαμβάνονται:

- ◆ Τραυματισμοί από επαφή με οποιαδήποτε περιστρεφόμενα/κινούμενα μέρη.
- ◆ Τραυματισμοί κατά την αλλαγή οποιωνδήποτε εξαρτημάτων, λαμών ή αξεσουάρ.
- ◆ Σωματικές βλάβες από παρατεταμένη χρήση εργαλείου. Όταν χρησιμοποιείτε οποιοδήποτε εργαλείο για παρατεταμένα χρονικά διαστήματα, μην παραλείπετε με κανένα τρόπο να κάνετε τακτικά διαλείμματα.
- ◆ Βλάβη της ακοής.
- ◆ Κίνδυνοι στην υγεία που προκαλούνται από την εισπνοή σκόνης όταν χρησιμοποιείτε το εργαλείο (παραδείγματα: όταν επεξεργάζεστε ξύλο, ειδικά δρυ, οξιά και MDF).

Κραδασμοί

Η δηλωμένη τιμή εκπομπής κραδασμών που αναφέρεται στα τεχνικά δεδομένα και στη δήλωση συμμόρφωσης έχει μετρηθεί σύμφωνα με τυποποιημένη μέθοδο δοκιμής που προβλέπεται από το πρότυπο EN62841 και μπορεί να χρησιμοποιηθεί για τη σύγκριση ενός εργαλείου με ένα άλλο. Η δηλωμένη τιμή εκπομπής κραδασμών μπορεί επίσης να χρησιμοποιηθεί σε έναν προκαταρκτικό προσδιορισμό της έκθεσης σε κραδασμούς.

Προειδοποίηση! Στην πράξη, η τιμή εκπομπής κραδασμών κατά την χρήση του ηλεκτρικού εργαλείου μπορεί να διαφέρει από την τιμή που δηλώθηκε, ανάλογα με τον τρόπο που χρησιμοποιείται το εργαλείο. Το επίπεδο κραδασμών μπορεί να αυξηθεί πάνω από το επίπεδο που έχει δηλωθεί.

Κατά τον προσδιορισμό της έκθεσης σε κραδασμούς για τον καθορισμό των απαιτούμενων μέτρων ασφαλείας σύμφωνα με την οδηγία 2002/44/ΕΚ για την προστασία προσώπων που χρησιμοποιούν συχνά ηλεκτρικά εργαλεία στην εργασία τους, μια προσεγγιστική εκτίμηση της έκθεσης σε κραδασμούς πρέπει να λαμβάνει υπόψη τις πραγματικές συνθήκες χρήσης

και τον τρόπο χρήσης του εργαλείου, συμπεριλαμβανομένων και όλων των επιμέρους τμημάτων του κύκλου εργασίας, όπως τα χρονικά διαστήματα που το εργαλείο ήταν εκτός λειτουργίας και τα διαστήματα λειτουργίας χωρίς φορτίο, επιπλέον του χρόνου πίεσης της σκανδάλης.

Ετικέτες πάνω στο εργαλείο

Το εργαλείο φέρει τα παρακάτω προειδοποιητικά σύμβολα μαζί με τον κωδικό ημερομηνίας:



Προειδοποίηση! Για να μειωθεί ο κίνδυνος τραυματισμού, ο χρήστης πρέπει να διαβάσει το εγχειρίδιο οδηγιών.

Ασφαλής χρήση ηλεκτρικού ρεύματος



Αυτό το εργαλείο φέρει διπλή μόνωση. Επομένως, δεν απαιτείται καλώδιο γείωσης. Πάντα ελέγχετε ότι η παροχή ρεύματος αντιστοιχεί στην τάση που αναφέρεται στην πινακίδα στοιχείων.

- ◆ Αν χρειάζεται αντικατάσταση του καλωδίου, αυτό πρέπει να αντικατασταθεί από τον κατασκευαστή ή από ένα εξουσιοδοτημένο κέντρο σέρβις της Stanley FatMax, ώστε να μην αποτελέσει κίνδυνο.

Χαρακτηριστικά

Αυτό το εργαλείο διαθέτει μερικά από ή όλα τα παρακάτω χαρακτηριστικά. 1. Διακόπτης ενεργοποίησης/ απενεργοποίησης (on/off)

2. Κουμπί ασφαλίσης στην ενεργοποιημένη κατάσταση
3. Βάση γυαλοχαρτίσματος
4. Μοχλός σφικτήρα χαρτίου
5. Κουμπί ελέγχου ρύθμισης ταχύτητας
6. Δοχείο συλλογής σκόνης

Συναρμολόγηση

Προειδοποίηση! Πριν από τη συναρμολόγηση, βεβαιωθείτε ότι το εργαλείο είναι απενεργοποιημένο και ότι το φως δεν είναι συνδεδεμένο στην πρίζα.

Τοποθέτηση φύλλων γυαλόχαρτου (εικ. Α, Β, C, D)

Προειδοποίηση! Μην χρησιμοποιήσετε ποτέ το εργαλείο χωρίς να έχει τοποθετηθεί φύλλο γυαλόχαρτου ή αξεσουάρ.

Τοποθέτηση φύλλων γυαλόχαρτου με νάιλον βρόχους (εικ. Α)

- ◆ Βεβαιωθείτε ότι το εργαλείο είναι σβηστό και ότι το φως δεν είναι συνδεδεμένο στην πρίζα.
- ◆ Πιέστε το φύλλο σταθερά και ομοιόμορφα πάνω στη βάση γυαλοχαρτίσματος (3).

Τοποθέτηση κανονικών φύλλων γυαλόχαρτου (εικ. Β, C, D)

- ◆ Βεβαιωθείτε ότι το εργαλείο είναι σβηστό και ότι το φως δεν είναι συνδεδεμένο στην πρίζα.

- ♦ Μαλακώστε το φύλλο γυαλόχαρτου τρίβοντας τη λεία του πλευρά πάνω στην άκρη μιας επιφάνειας εργασίας.
- ♦ Πιέστε τους μοχλούς των σφινγκτήρων χαρτιού (4) προς τα πάνω για να τους απελευθερώσετε από τις αυλακώσεις συγκράτησης και ανοίξτε τους σφινγκτήρες χαρτιού πιέζοντάς τους προς τα κάτω (εικ. Β).
- ♦ Τοποθετήστε το φύλλο πάνω στη βάση γυαλοχαρτίσματος (3) (εικ. C).
- ♦ Εισάγετε την άκρη του φύλλου γυαλόχαρτου στον μπροστινό σφινγκτήρα χαρτιού όπως υποδεικνύεται (εικ. D).
- ♦ Πιέστε το μοχλό του μπροστινού σφινγκτήρα χαρτιού (4) προς τα κάτω και τοποθετήστε τον μέσα στην αυλάκωση συγκράτησης.
- ♦ Ενώ ασκείτε ελαφριά πίεση πάνω στο φύλλο, εισάγετε την πίσω άκρη του φύλλου στον πίσω σφινγκτήρα χαρτιού.
- ♦ Πιέστε το μοχλό του πίσω σφινγκτήρα χαρτιού (4) προς τα κάτω και τοποθετήστε τον μέσα στην αυλάκωση συγκράτησης.

Τοποθέτηση και αφαίρεση του δοχείου συλλογής σκόνης (εικ. Ε)

- ♦ Τοποθετήστε το δοχείο συλλογής σκόνης (6) πάνω στο στόμιο εξαγωγής σκόνης (7).
- ♦ Σπρώξτε το δοχείο συλλογής σκόνης προς το εργαλείο και βεβαιωθείτε ότι ασφάλισε στη θέση του.
- ♦ Για να αφαιρέσετε το δοχείο συλλογής σκόνης, τραβήξτε το προς τα πίσω και αφαιρέστε το από το στόμιο.

Χρήση

Προειδοποίηση! Αφήστε το εργαλείο να λειτουργήσει με το δικό του ρυθμό. Μην το υπερφορτώνετε.

Προειδοποίηση! Μην καλύπτετε τις εγκοπές αερισμού όταν χρησιμοποιείτε το εργαλείο. Βεβαιωθείτε ότι η βάση γυαλοχαρτίσματος είναι σε πλήρη επαφή με το αντικείμενο εργασίας.

Χειριστήριο ρύθμισης ταχύτητας

Το χειριστήριο ρύθμισης ταχύτητας σας επιτρέπει να προσαρμόξετε την ταχύτητα του εργαλείου στο αντικείμενο εργασίας.

- ♦ Ρυθμίστε το κουμπί ελέγχου (5) στην επιθυμητή ρύθμιση. Χρησιμοποιείτε μεγάλη ταχύτητα για ξύλο, μέτρια ταχύτητα για καπλαμά και συνθετικά υλικά και χαμηλή ταχύτητα για ακρυλικό γυαλί, μη σιδηρούχα μέταλλα και για την αφαίρεση βαφών

Ενεργοποίηση και απενεργοποίηση (εικ. F)

- ♦ Για να ενεργοποιήσετε το εργαλείο, πατήστε το διακόπτη on/off (1).
- ♦ Για συνεχή λειτουργία, πατήστε το κουμπί συνεχόμενης λειτουργίας (2) και αφήστε ελεύθερο το διακόπτη λειτουργίας.

- ♦ Για να απενεργοποιήσετε το εργαλείο, ελευθερώστε τον διακόπτη λειτουργίας. Για να απενεργοποιήσετε το εργαλείο όταν βρίσκεται σε συνεχόμενη λειτουργία, πατήστε το διακόπτη λειτουργίας ακόμη μία φορά και αφήστε τον ελεύθερο.

Αδειασμα του δοχείου συλλογής σκόνης

Το δοχείο συλλογής σκόνης (2) πρέπει να αδειάζεται κάθε δέκα λεπτά χρήσης.

- ♦ Τραβήξτε το δοχείο συλλογής σκόνης (6) προς τα πίσω και αφαιρέστε το από το εργαλείο και το στόμιο σύνδεσης.
- ♦ Αδειάστε το σε κατάλληλο δοχείο απορριμμάτων και επανατοποθετήστε το στο εργαλείο.

Συμβουλές για βέλτιστη χρήση

- ♦ Για την άνεση του χρήστη, ο χειρισμός του εργαλείου μπορεί να γίνει με ένα ή με δύο χέρια (εικ. G, H, I). Μην βάζετε τα χέρια σας πάνω από τις εγκοπές εξαερισμού.
- ♦ Μην ασκείτε μεγάλη πίεση στο εργαλείο.
- ♦ Να ελέγχετε τακτικά την κατάσταση του φύλλου γυαλόχαρτου. Να το αντικαθιστάτε όταν χρειάζεται.
- ♦ Να λειανίετε πάντα σύμφωνα με τη φορά των "νερών" του ξύλου.
- ♦ Όταν λειανίετε νέες στρώσεις βαφής προτού περάσετε μια νέα στρώση, χρησιμοποιήστε πολύ φιλό γυαλόχαρτο.
- ♦ Σε πολύ ανώμαλες επιφάνειες ή όταν αφαιρείτε στρώσεις βαφής, ξεκινήστε με χοντρό γυαλόχαρτο. Σε άλλες επιφάνειες, ξεκινήστε με γυαλόχαρτο μεσαίου μεγέθους κόκκου. Και στις δύο περιπτώσεις, αλλάξτε σταδιακά σε φιλότερο γυαλόχαρτο για να είναι λεία η επιφάνεια μετά την επεξεργασία.
- ♦ Συμβουλευτείτε τον τοπικό σας έμπορο για περισσότερες πληροφορίες σχετικά με τα διαθέσιμα αξεσουάρ.

Συντήρηση

Αυτό το εργαλείο Stanley® Fatmax® έχει σχεδιαστεί έτσι ώστε να λειτουργεί για μεγάλο χρονικό διάστημα με την ελάχιστη δυνατή συντήρηση. Η συνεχής ικανοποιητική λειτουργία εξαρτάται από τη σωστή φροντίδα και τον τακτικό καθαρισμό.

Προειδοποίηση! Πριν πραγματοποιήσετε οποιαδήποτε συντήρηση ή καθαρισμό στο εργαλείο, αποσυνδέστε τον φορτιστή.

- ♦ Καθαρίζετε τακτικά τις εγκοπές εξαερισμού του εργαλείου με μια μαλακή βούρτσα ή ένα στεγνό πανί.
- ♦ Καθαρίζετε τακτικά το περίβλημα του μοτέρ με ένα ελαφρά υγρό πανί. Μην χρησιμοποιείτε καθαριστικά που χαράζουν ή περιέχουν διαλύτες.

Αντικατάσταση του φιν ρευματοληψίας (Hv. Βασίλειο & Ιρλανδία μόνο)

Αν χρειάζεται να τοποθετηθεί νέο φιν ρευματοληψίας:

- ♦ Απορρίψτε με ασφαλή τρόπο το παλιό φιν.

- ◆ Συνδέστε τον καφέ αγωγό στον ηλεκτροφόρο ακροδέκτη (φάση) του νέου φις.
- ◆ Συνδέστε τον μπλε αγωγό στον ουδέτερο ακροδέκτη.

Προειδοποίηση! Δεν πρέπει να γίνει καμία σύνδεση στον ακροδέκτη γείωσης.

Ακολουθήστε τις οδηγίες συναρμολόγησης που συνοδεύουν τα καλής ποιότητας φις.

Συνιστώμενη ασφάλεια: 5 A.

Προστασία του περιβάλλοντος



Χωριστή συλλογή. Τα προϊόντα και οι μπαταρίες που επισημαίνονται με αυτό το σύμβολο δεν πρέπει να απορρίπτονται μαζί με τα κανονικά οικιακά απορρίμματα.

Τα προϊόντα και οι μπαταρίες περιέχουν υλικά που μπορούν να ανακτηθούν ή να ανακυκλωθούν ώστε να μειωθούν οι ανάγκες για πρώτες ύλες.

Παρακαλούμε να ανακυκλώνετε τα ηλεκτρικά προϊόντα και τις μπαταρίες σύμφωνα με τους τοπικούς κανονισμούς. Περισσότερες πληροφορίες διατίθενται στον ιστότοπο www.2helpU.com.

Τεχνικά δεδομένα

	KFFMEW210	FMEW214	
Τάση εισόδου	V_{AC}	230	230
Κατανάλωση ισχύος	W	280	280
Παλινδρομήσεις (χωρίς φορτίο)	min^{-1}	24000	24000
Ελλειπτικές κινήσεις (χωρίς φορτίο)	min^{-1}	12000	12000
Επιφάνεια βάσης γυαλοχαρτίσματος	mm	187 x 90	187 x 90
Βάρος	kg	2.0	2.0

Στάθμη ηχητικής πίεσης κατά EN 62841:

KFFMEW210 Ηχητική πίεση (L_{pA}) 85 dB(A), αβεβαιότητα (K) 3 dB(A)
FMEW214 Ηχητική πίεση (L_{pA}) 85 dB(A), αβεβαιότητα (K) 3 dB(A)

KFFMEW210 Ηχητική ισχύς (L_{WA}) 96 dB(A), αβεβαιότητα (K) 3 dB(A)
FMEW214 Ηχητική ισχύς (L_{WA}) 96 dB(A), αβεβαιότητα (K) 3 dB(A)

Συνολικές τιμές κραδασμών (δυναμισματικό άθροισμα τριών αξόνων) σύμφωνα με το EN 62841:

KFFMEW210 (a_w) 6 m/s^2 , αβεβαιότητα (K) 1.5 m/s^2

FMEW214 (a_w) 6 m/s^2 , αβεβαιότητα (K) 1.5 m/s^2

Δήλωση συμμόρφωσης EK

ΟΔΗΓΙΑ ΠΕΡΙ ΜΗΧΑΝΗΜΑΤΩΝ



KFFMEW210, FMEW214 Τριβείο

Η Stanley Europe δηλώνει ότι αυτά τα προϊόντα που περιγράφονται στα "τεχνικά δεδομένα" συμμορφώνονται με: 2006/42/EK, EN62841-1:2015, EN62841-2-4:2014.

Αυτά τα προϊόντα συμμορφώνονται και με την Οδηγία 2014/30/EE και 2011/65/EE. Για περισσότερες πληροφορίες, παρακαλείστε να επικοινωνήσετε με την Stanley Europe στην παρακάτω διεύθυνση ή να ανατρέξετε στο πίσω μέρος του χειριδίου.

Ο κάτωθι υπογεγραμμένος είναι υπεύθυνος για την κατάρτιση του τεχνικού φακέλου και δηλώνει τα παρόντα εκ μέρους της Stanley® Fatmax®.

R. Laverick

Διευθυντής Μηχανολογίας
Stanley Europe, Egide Walschaertsstraat14-18,
2800 Mechelen, Belgium
28/08/2018

Εγγύηση

Η Stanley® Fatmax® είναι σίγουρη για την ποιότητα των προϊόντων της και προσφέρει στους καταναλωτές εγγύηση 12 μηνών από την ημερομηνία αγοράς. Αυτή η εγγύηση συμπληρώνει και με κανένα τρόπο δεν παραβλάπτει τα νόμιμα δικαιώματά σας. Η εγγύηση ισχύει εντός της επικράτειας των χωρών μελών της Ευρωπαϊκής Ένωσης και της Ευρωπαϊκής Ζώνης Ελευθέρων Συναλλαγών.

Για να υποβάλετε αξίωση βάσει της εγγύησης, η αξίωση θα πρέπει να είναι σύμφωνη με τους Όρους και προϋποθέσεις της Stanley® Fatmax® και θα χρειαστεί να υποβάλετε απόδειξη αγοράς στον πωλητή ή σε εξουσιοδοτημένο αντιπρόσωπο επισκευών. Μπορείτε να αποκτήσετε τους Όρους και προϋποθέσεις της εγγύησης 1 έτους της Stanley® Fatmax® και να μάθετε την τοποθεσία του πλησιέστερου εξουσιοδοτημένου αντιπροσώπου επισκευών, στο Internet στο www.2helpU.com, ή επικοινωνώντας με το τοπικό σας γραφείο Stanley® Fatmax® στη διεύθυνση που υποδεικνύεται στο παρόν χειρίδιο.

Επισκεφθείτε τον ιστότοπό μας www.stanley.eu/3 για να καταχωρίσετε το καινούργιο προϊόν Stanley® Fatmax® και για να λαμβάνετε ενημερώσεις σχετικά με νέα προϊόντα και ειδικές προσφορές.

Przeznaczenie

Te szlifierki FMEW214, KFFMEW210 Stanley Fat Max są przeznaczone do szlifowania drewna, tworzyw sztucznych i powierzchni malowanych. Te narzędzia są przeznaczone do użytku profesjonalnego oraz prywatnego, innego niż profesjonalny.

Zasady bezpiecznej pracy

Ogólne wskazówki dotyczące bezpiecznej pracy elektronarzędziami



Ostrzeżenie! Należy zapoznać się ze wszystkimi zaleceniami dotyczącymi bezpieczeństwa i obsługi oraz rysunkami i danymi umieszczonymi w dołączonej do elektronarzędzia instrukcji obsługi. Niestosowanie się do ostrzeżeń i zaleceń zawartych w tej instrukcji obsługi może być przyczyną porażenia prądem elektrycznym, pożaru i/lub poważnego zranienia.

Zachować wszystkie instrukcje i informacje dotyczące bezpiecznej pracy, aby móc korzystać z nich w przyszłości. Pojęcie „elektonarzędzie” używane w niniejszej instrukcji, oznacza narzędzie zasilane z sieci elektrycznej (przewodem zasilającym) lub akumulatorami (bezprowodowe).

1. Bezpieczeństwo w miejscu pracy

a. **Miejsce pracy musi być czyste i dobrze oświetlone.** Miejsca ciemne i takie, w których panuje nieporządek, stwarzają ryzyko wypadku.

b. **Nie wolno używać elektronarzędzia w strefach zagrożenia wybuchem, w pobliżu palnych cieczy, gazów, czy pyłów.** Elektronarzędzia mogą wytworzyć iskry powodujące zapłon pyłów lub oparów.

c. **W czasie pracy elektronarzędziami nie pozwalaj na przebywanie w pobliżu dzieci i innych osób postronnych.**

Chwila nieuwagi może spowodować utratę kontroli nad narzędziem.

2. Ochrona przeciwporażeniowa

a. **Gniazdo musi być dostosowane do wtyczki elektronarzędzia. Nie wolno przerabiać wtyczek. Nie używać żadnych łączników lub rozdzielaczy elektrycznych z uziemionymi elektronarzędziami.** Nieprzerabiane wtyczki i odpowiednie gniazda zmniejszają ryzyko porażenia prądem elektrycznym.

b. **Należy unikać bezpośredniej styczności z uziemionymi lub zerowanymi powierzchniami, takimi jak rurociągi, grzejniki, kuchenki i lodówki.** Ryzyko porażenia prądem elektrycznym wzrasta, jeśli Twoje ciało jest uziemione.

c. **Nie narażać elektronarzędzi na działanie deszczu lub zwiększonej wilgotności.** Dostanie się wody do wnętrza elektronarzędzia zwiększa ryzyko porażenia prądem elektrycznym.

d. **Nie wolno ciągnąć za przewód zasilający. Nie wolno ciągnąć, podnosić ani wyciągać wtyczki z gniazda, poprzez ciągnięcie za kabel zasilający narzędzia.** Chronić kabel zasilający przed kontaktem z gorącymi elementami, olejami, ostrymi krawędziami i ruchomymi częściami. Uszkodzenie lub zaplątanie przewodu zasilającego zwiększa ryzyko porażenia prądem elektrycznym.

e. **W czasie eksploatacji elektronarzędzi poza pomieszczeniami zamkniętymi należy używać przystosowanych do tego przedłużaczy.** Korzystanie z przedłużaczy przystosowanych do użycia na zewnątrz budynków zmniejsza ryzyko porażenia prądem.

f. **Jeśli zachodzi konieczność używania narzędzia w wilgotnym otoczeniu, należy używać źródła zasilania zabezpieczonego wyłącznikiem różnicowoprądowym.** Stosowanie wyłączników różnicowoprądowych zmniejsza ryzyko porażenia prądem elektrycznym.

3. Środki ochrony osobistej

a. **W czasie pracy elektronarzędziem zachować czujność, patrzeć uważnie i kierować się zdrowym rozsądkiem. Nie używać elektronarzędzia w stanie zmęczenia, pod wpływem narkotyków, alkoholu lub leków.** Nawet chwila nieuwagi w czasie pracy elektronarzędziem może doprowadzić do poważnych obrażeń ciała.

b. **Używać środków ochrony osobistej. Zawsze zakładać okulary ochronne.** Używanie, w miarę potrzeb, środków ochrony osobistej, takich jak maska przeciwpyłowa, buty ochronne z antypoślizgową podeszwą, kask czy ochronnik słuchu, zmniejsza ryzyko odniesienia uszczerbku na zdrowiu.

c. **Zapobiegać przypadkowemu włączeniu.** Przed przyłączeniem do zasilania i/lub włożeniem akumulatorów oraz przed podniesieniem i przenoszeniem narzędzia, upewnić się, że wyłącznik znajduje się w pozycji „wyłączone”. Trzymanie palca na wyłączniku podczas przenoszenia lub podłączenie włączonego narzędzia do zasilania łatwo staje się przyczyną wypadków.

d. **Przed włączeniem elektronarzędzia usunąć wszelkie klucze lub narzędzia do regulacji.** Pozostawienie klucza lub narzędzia do regulacji połączonych z częściami wirującymi elektronarzędzia może spowodować uszkodzenie ciała.

e. **Nie wychylać się nadmiernie. Przez cały czas zachowywać solidne oparcie nóg i równowagę.**

Dzięki temu ma się lepszą kontrolę nad elektronarzędziem w nieoczekiwanych sytuacjach.

- f. **Zakładać odpowiednią odzież. Nie nosić luźnych ubrań ani biżuterii. Trzymać włosy, ubranie i rękawice z dala od ruchomych elementów.** Luźne ubranie, biżuteria lub długie włosy mogą zostać pochwycone przez ruchome części.
- g. **Jeśli sprzęt jest przystosowany do przyłączenia urządzeń odprowadzających i zbierających pył, upewnić się, czy są one przyłączone i właściwie użytkowane.** Używanie takich urządzeń może zmniejszać zagrożenia związane z obecnością pyłów.
- h. **Nie zezwalać na to, aby rutyna wynikająca z częstego użytkowania narzędzi prowadziła do lekceważenia zagrożeń i ignorowania zasad bezpiecznego użytkowania narzędzi.** Lekkomyślna obsługa może spowodować poważne obrażenia ciała w ułamku sekundy.

4. Obsługa i konserwacja elektronarzędzi

- a. **Nie przeciążać elektronarzędzia. Używać elektronarzędzi odpowiednich do rodzaju wykonywanej pracy.**
Dzięki odpowiednim elektronarzędziom wykona się pracę lepiej i w sposób bezpieczny, w tempie, do jakiego narzędzie zostało zaprojektowane.
- b. **Nie wolno używać elektronarzędzia z zepsutym wyłącznikiem, który nie pozwala na sprawne włączanie i wyłączanie.** Narzędzie, którego nie można kontrolować za pomocą włącznika, nie może być używane i musi zostać naprawione.
- c. **Przed przystąpieniem do regulacji, wymiany akcesoriów oraz przed schowaniem elektronarzędzia, należy odłączyć wtyczkę od źródła zasilania i/lub odłączyć akumulator od urządzenia.** Takie środki zapobiegawcze zmniejszają ryzyko przypadkowego uruchomienia elektronarzędzia.
- d. **Nie używane elektronarzędzie przechowywać poza zasięgiem dzieci i nie dopuszczać osób nie znających elektronarzędzia lub tej instrukcji do posługiwania się elektronarzędziem.**
Elektronarzędzia są niebezpieczne w rękach niewprawnego użytkownika.
- e. **Prawidłowo konserwować elektronarzędzia i akcesoria. Sprawdzić, czy ruchome części są właściwie połączone i zamocowane, czy części nie są uszkodzone oraz skontrolować wszelkie inne elementy mogące mieć wpływ na pracę elektronarzędzia.** Wszystkie uszkodzenia należy naprawić przed rozpoczęciem użytkowania. Wiele wypadków jest spowodowanych źle utrzymanymi elektronarzędziami.
- f. **Dbać o czystość narzędzi i ostrość elementów tnących.**

Prawidłowo utrzymane narzędzia do cięcia o ostrych krawędziach tnących rzadziej się zakleszczają i są łatwiejsze do kontrolowania.

- g. **Elektronarzędzi, akcesoriów i końcówek itp., należy używać zgodnie z instrukcją obsługi, uwzględniając warunki i rodzaj wykonywanej pracy.** Użycie elektronarzędzi niezgodnie z przeznaczeniem może być bardzo niebezpieczne.
- h. **Uchwyty i powierzchnie, za które chwyta się narzędzie, muszą być suche, czyste oraz niezabrudzone olejem i smarem.**
Śliskie uchwyty i powierzchnie uniemożliwiają bezpieczną obsługę i panowanie nad narzędziem w nieoczekiwanych sytuacjach.

5. Naprawy

- a. **Powierzać naprawy elektronarzędzi wyłącznie osobom wykwalifikowanym, używającym identycznych części zamiennych.**
Zagwarantuje to bezpieczeństwo elektronarzędzia.

Bezpieczne użytkowanie elektronarzędzi - wskazówki dodatkowe



Ostrzeżenie! Dodatkowe ostrzeżenia dotyczące szlifierek

- ◆ **Do trzymania urządzenia wykorzystywać wyłącznie izolowane powierzchnie uchwytów, ponieważ powierzchnia szlifująca może dotknąć przewodu zasilającego.** Przecięcie przewodu pod napięciem może spowodować pojawienie się napięcia na metalowych częściach obudowy i porażenie prądem operatora.
- ◆ **Używać zacisków lub innego wygodnego sposobu zamocowania obrabianego elementu do stabilnego podłoża.** Trzymanie obrabianego elementu w rękach lub oparcie go o ciało nie daje dostatecznej stabilizacji i może spowodować utratę kontroli nad narzędziem.
- ◆ **Ostrzeżenie! Kontakt z pyłem lub wdychanie pyłu wytwarzanego podczas szlifowania może być niebezpieczne dla zdrowia operatora i możliwych osób postronnych.** Używać maski przeciwpyłowej zaprojektowanej specjalnie do ochrony przed pyłem i oparami i upewnić się, że osoby postronne w obszarze pracy także są chronione.
- ◆ **Dokładnie usuwać cały pył po zakończeniu szlifowania.**
- ◆ **Zachować szczególną ostrożność podczas szlifowania farby, jeśli farba może być farbą ołowiową, lub szlifowania pewnych typów drewna, które mogą wytwarzać toksyczny pył:**
 - ◆ Nie pozwalać dzieciom ani kobietom w ciąży wchodzić w obszar pracy.

- ◆ **Nie jeść, nie pić ani nie palić w miejscu pracy.**
- ◆ **Bezpiecznie usuwać pył i inne odpady.**
- ◆ **Przeznaczenie urządzenia opisane jest w niniejszej instrukcji obsługi.**

Używanie jakichkolwiek akcesoriów lub wykonywanie prac niezgodnych z przeznaczeniem opisywanym w instrukcji obsługi, może powodować niebezpieczeństwo uszkodzenia ciała i/lub uszkodzenia mienia.

Bezpieczeństwo osób postronnych

- ◆ Opisywane urządzenie nie jest przeznaczone do użycia przez osoby o obniżonych możliwościach fizycznych, ruchowych lub umysłowych (także dzieci) lub o zbyt małej wiedzy i doświadczeniu, jeśli nie zostały one przeszkolone lub nie pozostają pod opieką osoby odpowiedzialnej za ich bezpieczeństwo.
- ◆ Należy pilnować dzieci, aby nie bawiły się urządzeniem.

Pozostałe zagrożenia.

W czasie pracy narzędziem mogą powstać zagrożenia, które nie zostały uwzględnione w załączonej instrukcji dotyczącej bezpiecznego użytkowania. Zagrożenia te mogą wynikać z niewłaściwego użytkowania, zbyt intensywnej eksploatacji lub innych przyczyn.

Nawet w przypadku przestrzegania zasad bezpiecznej pracy i stosowania środków ochronnych, nie jest możliwe uniknięcie pewnych zagrożeń. Należą do nich:

- ◆ Zranienia wynikające z dotknięcia wirujących/ruchomych elementów.
- ◆ obrażenia ciała w czasie wymiany części, ostrzy lub akcesoriów.
- ◆ Zranienia związane ze zbyt długotrwałym używaniem narzędzia. Pracując przez dłuższy czas jakimkolwiek narzędziem, należy robić regularne przerwy.
- ◆ Uszkodzenie słuchu.
- ◆ Zagrożenie dla zdrowia spowodowane wdychaniem pyłu wytwarzanego podczas użytkowania urządzenia (np.: podczas pracy w drewnie, szczególnie dębowym, bukowym oraz MDF).

Drgania

Podawana w tabeli danych technicznych oraz w deklaracji zgodności z normami wartość drgań (wibracji), została zmierzona zgodnie ze standardową procedurą zawartą w normie EN62841. Informacja ta może służyć do porównywania tego narzędzia z innymi. Deklarowana wartość emitowanych drgań może również służyć do przewidywania stopnia narażenia użytkownika na wibracje.

Ostrzeżenie! Chwilowa siła drgań, występująca w czasie pracy elektronarzędziem, może odbiegać od podawanych wartości, w zależności od sposobu użytkowania urządzenia. Poziom drgań może przekroczyć podawaną wartość.

Przy określaniu ekspozycji na drgania, w celu podjęcia środków ochrony osób zawodowo użytkujących elektronarzędzia, zgodnie z dyrektywą 2002/44/WE, należy uwzględnić rzeczywiste warunki i rodzaj wykonywanej pracy. Także okresy przestoju i pracy bez obciążenia.

Symbole na urządzeniu

Następujące piktogramy są umieszczone na urządzeniu wraz z kodem daty:



Ostrzeżenie! Aby zminimalizować ryzyko zranienia, użytkownik musi zapoznać się z instrukcją obsługi.

Ochrona przeciwporażeniowa



To narzędzie ma podwójną izolację, dlatego też przewód uziemiaczy nie jest potrzebny. Zawsze sprawdzać, czy napięcie zasilania jest zgodne z wartością podaną na tabliczce znamionowej.

- ◆ Jeśli wymiana kabla zasilającego jest konieczna, ze względów bezpieczeństwa wymianę należy powierzyć producentowi lub autoryzowanemu centrum serwisowemu Stanley FatMax.

Funkcje

Opisywane urządzenie wyposażone jest w kilka lub wszystkie z poniższych elementów.

1. Włącznik
2. Przycisk blokady
3. Podstawa akcesorium szlifującego
4. Dźwignia zacisku papieru ściernego
5. Włącznik z regulacją prędkości obrotowej
6. Pojemnik na pył

Montaż

Ostrzeżenie! Przed rozpoczęciem montażu upewnić się, czy narzędzie jest wyłączone i wtyczka zasilania jest odłączona.

Montaż arkusza papieru ściernego (rys. A, B, C, D)

Ostrzeżenie! Nie wolno używać narzędzia bez zamontowanego arkusza papieru ściernego lub akcesorium.

Montaż arkusza papieru ściernego wyposażonych w nylonowe rzepy (rys. A)

- ◆ Dopiłnować, aby narzędzie było wyłączone i odłączone od zasilania.
- ◆ Docisnąć równomiernie arkusz papieru do podstawy akcesorium szlifującego (3).

Montaż zwykłych arkuszy papieru ściernego (rys. B, C, D)

- ◆ Dopilnować, aby narzędzie było wyłączone i odłączone od zasilania.
- ◆ Zmiękczyć arkusz papieru ściernego, pocierając jego stroną nieścierną o krawędź blatu roboczego.
- ◆ Wcisnąć dźwignię zacisku papieru ściernego (4) do góry, aby zwolnić je z rowków mocujących, a następnie otworzyć zaciski papieru ściernego, wciskając je w dół (rys. B).
- ◆ Umieścić arkusz papieru ściernego na podstawie akcesorium szlifującego (3) (rys. C).
- ◆ Włożyć krawędź arkusza papieru ściernego w przedni zacisk papieru zgodnie z ilustracją (rys. D).
- ◆ Wcisnąć przednią dźwignię zacisku papieru ściernego (4) w dół i umieścić ją w rowku mocującym.
- ◆ Utrzymując lekkie napięcie arkusza, włożyć jego tylną krawędź w tylny zacisk papieru.
- ◆ Wcisnąć tylną dźwignię zacisku papieru ściernego (4) w dół i umieścić ją w rowku mocującym.

Montaż i demontaż pojemnika na pył (rys. E)

- ◆ Założyć pojemnik na pył (6) na wylot odprowadzania pyłu (7).
- ◆ Nasunąć pojemnik na pył na narzędzie i dopilnować, aby był pewnie zamocowany.
- ◆ Aby zdjąć pojemnik na pył, ściągnąć go do tyłu z wylotu odprowadzania pyłu.

Eksplatacja

Ostrzeżenie! Uwzględnić tempo pracy urządzenia. Nie przeciążać narzędzia.

Ostrzeżenie! Nie zasłaniać otworów wentylacyjnych podczas korzystania z narzędzia. Dopilnować, aby podstawa akcesorium szlifującego było umieszczona płasko na obrabianym elemencie.

Pokręto sterowania prędkością

Pokręto regulacji prędkości pozwala na dostosowanie prędkości obrotowej narzędzia do obrabianego materiału.

- ◆ Ustawić pokręto regulacji prędkości (5) na żądane ustawienie. Zastosować prędkość wysoką do drewna, prędkość średnią do formirów i materiałów syntetycznych oraz prędkość niską do szkła akrylowego, metali nieżelaznych oraz do usuwania farb.

Włączanie i wyłączanie (rys. F)

- ◆ Aby włączyć narzędzie, nacisnąć włącznik (1).
- ◆ Praca ciągła możliwa jest po wciśnięciu przycisku blokady włącznika (2) i zwolnieniu włącznika.
- ◆ Aby wyłączyć narzędzie, zwolnić włącznik. Aby wyłączyć narzędzie pracujące w trybie ciągłym, należy powtórnie nacisnąć włącznik i zwolnić go.

Opróżnianie pojemnika na pył

Pojemnik na pył (2) należy opróżnić po dziesięciu minutach użytkowania.

- ◆ Ściągnąć pojemnik na pył (6) do tyłu z przyłącza narzędzia.
- ◆ Opróżnić do odpowiedniego pojemnika i założyć z powrotem na narzędzie.

Wskazówki praktyczne

- ◆ Dla wygody użytkownika narzędzie można obsługiwać jedną lub dwiema rękami (rys. G, H, I). Nie kłaść dłoni na szczelinach wentylacyjnych.
- ◆ Nie wywierać nadmiernego nacisku na narzędzie.
- ◆ Regularnie kontrolować stan arkusza papieru ściernego. Wymieniać w razie potrzeby.
- ◆ Należy zawsze wykonywać szlifowanie wzdłuż włókien drewna.
- ◆ Przy szlifowaniu nowych warstw farby przed nałożeniem kolejnej warstwy, należy stosować papier o bardzo drobnym uziarnieniu.
- ◆ Na bardzo nierównych powierzchniach lub podczas usuwania kilku warstw farby, należy zacząć od papieru o grubym uziarnieniu. Na pozostałych powierzchniach należy rozpocząć od papieru o średnim uziarnieniu. W obu przypadkach należy stopniowo zmieniać uziarnienie na drobne w celu uzyskania gładkiej powierzchni końcowej.
- ◆ Skonsultować się ze sprzedawcą, aby uzyskać więcej informacji na temat dostępnych akcesoriów.

Konserwacja

Narzędzia Stanley Fat Max zostały zaprojektowane tak, aby zapewnić długoletnią, prawie bezobsługową, pracę urządzenia. Aby długo cieszyć się właściwą pracą urządzenia, należy odpowiednio o nie dbać i regularnie je czyścić.

Ostrzeżenie! Przed przystąpieniem do konserwacji odłączyć ładowarkę od zasilania.

- ◆ Okresowo czyścić otwory wentylacyjne narzędzia za pomocą miękkiej szczoteczki lub suchej ściereczki.
- ◆ Regularnie czyścić obudowę silnika wilgotną ściereczką. Nie używać środków czyszczących ściernych ani zawierających rozpuszczalniki.

Wymiana wtyczki sieciowej (dotyczy tylko Wielkiej Brytanii i Irlandii)

Jeśli występuje konieczność montażu nowej wtyczki:

- ◆ Bezpiecznie zutilizować starą wtyczkę.
- ◆ Przyłączyć brązowy przewód do zacisku fazy w nowej wtyczce.
- ◆ Przyłączyć niebieski przewód do zacisku zerowego.

Ostrzeżenie! Nie wykonywać przyłączenia do końcówki uziemienia. Postępować zgodnie z instrukcją instalacji dołączonej do wtyczek wysokiej jakości.

Zalecany bezpiecznik: 5 A.

Ochrona środowiska



Selektywna zbiórka odpadów. Produktów i akumulatorów oznaczonych tym symbolem nie wolno usuwać ze zwykłymi odpadami z gospodarstw domowych.

Produkty i akumulatory zawierają materiały, które można odzyskać lub poddać recyklingowi, zmniejszając zapotrzebowanie na surowce.

Oddawać produkty elektryczne i akumulatory do recyklingu zgodnie z krajowymi przepisami. Więcej informacji można uzyskać na stronie www.2helpU.com

Dane techniczne

		KFFMEW210	FMEW214
Napięcie zasilania	V prądu zmiennego	230	230
Moc elektryczna	W	280	280
Liczba oscylacji (bez obciążenia)	min ⁻¹	24000	24000
Liczba orbit (bez obciążenia)	min ⁻¹	12000	12000
Powierzchnia tarczy szlifującej	mm	187 x 90	187 x 90
Masa	kg	2.0	2.0

Poziom ciśnienia akustycznego zgodnie z EN 62841:

KFFMEW210 Ciśnienie akustyczne (L_{pa}) 85 dB(A), niepewność (K) 3 dB(A)

FMEW214 Ciśnienie akustyczne (L_{pa}) 85 dB(A), niepewność (K) 3 dB(A)

KFFMEW210 Moc akustyczna (L_{wa}) 96 dB(A), niepewność (K) 3 dB(A)

FMEW214 Moc akustyczna (L_{wa}) 96 dB(A), niepewność (K) 3 dB(A)

Sumaryczna wielkość drgań (suma wektorów trzech osi) zgodnie z normą EN 62841:

KFFMEW210 (a) 6 m/s², niepewność (K) 1,5 m/s²

FMEW214 (a) 6 m/s², niepewność (K) 1,5 m/s²

Deklaracja zgodności WE DYREKTYWA MASZYNOWA



Szliferka KFFMEW210, FMEW214

Firma Stanley Europe oświadcza, że produkty opisane pod „dane techniczne” są zgodne z następującymi przepisami: 2006/42/WE, EN62841-1:2015, EN62841-2-4:2014.

Produkty te są również zgodne z zapisami dyrektyw 2014/30/UE oraz 2011/65/UE. Aby otrzymać więcej informacji, należy skontaktować się z firmą Stanley Europe pod adresem podanym poniżej lub na końcu instrukcji.

Niżej podpisany jest odpowiedzialny za zebranie danych technicznych i składa tę deklarację w imieniu firmy Stanley FatMax.

R. Laverick
Director of Engineering
Stanley Europe, Egide Walschaertsstraat14-18,
2800 Mechelen, Belgia
28/08/2018

Gwarancja

Firma Stanley Fat Max jest pewna jakości swoich produktów i oferuje klientom 12 miesięcy gwarancji od daty zakupu. Udzielona gwarancja stanowi rozszerzenie i w żaden sposób nie ogranicza ustawowych praw użytkowników. Gwarancja obowiązuje na terenie krajów członkowskich Unii Europejskiej i Europejskiej Strefy Wolnego Handlu. Aby skorzystać z gwarancji, roszczenie gwarancyjne musi być zgodne z Warunkami Stanley Fat Max i konieczne jest przedłożenie dowodu zakupu sprzedawcy lub pracownikowi autoryzowanego serwisu. Warunki rocznej gwarancji Stanley Fat Max oraz lokalizację najbliższego autoryzowanego serwisu można uzyskać na stronie internetowej www.2helpU.com lub kontaktując się z lokalnym biurem Stanley Fat Max pod adresem podanym w tej instrukcji. Zapraszamy na naszą stronę internetową www.stanley.eu/3, aby zarejestrować swój produkt Stanley Fat Max i otrzymywać informacje o nowych produktach i ofertach specjalnych.

(Traducere a instrucțiunilor
originale)

ROMÂNĂ

Destinația de utilizare

Șlefuitoarele FMEW214, KFFMEW210 Stanley Fat Max au fost concepute pentru șlefuirea lemnului, a materialelor plastice și a suprafețelor vopsite. Aceste unelte sunt destinate utilizatorilor profesioniști și privați, neprofesioniști.

Instrucțiuni de siguranță

Avertizări generale de siguranță privind uneltele electrice



Avertisment! Citiți toate avertizările de siguranță, instrucțiunile, ilustrațiile și specificațiile furnizate împreună cu această unealtă electrică. Nerespectarea avertizărilor și a instrucțiunilor enumerate în continuare poate conduce la electrocutare, incendii și/sau vătămări grave.

Păstrați toate avertizările și instrucțiunile pentru consultare ulterioară.

Termenul „unealtă electrică” din toate avertizările enumerate mai jos se referă la unealta electrică (cu cablu) alimentată de la rețeaua principală de energie sau la unealta electrică (fără cablu) alimentată de la baterie.

1. Siguranța în zona de lucru

- a. **Păstrați zona de lucru curată și bine iluminată.** Zonele dezordonate sau întunecate înlesnesc accidentele.
- b. **Nu operați uneltele electrice în atmosfere explozive, cum ar fi în prezența lichidelor, gazelor sau pulberilor explozive.** Uneltele electrice generează scântei ce pot aprinde pulberile sau vaporii.
- c. **Țineți la distanță copiii și persoanele din jur în timp ce operați o unealtă electrică.** Distragerea atenției poate conduce la pierderea controlului.

2. Siguranța electrică

- a. **Ștecherile uneltelor electrice trebuie să se potrivească cu priza. Nu modificați niciodată ștecherul în vreun fel. Nu folosiți adaptoare pentru ștechere împreună cu uneltele electrice împământate (legate la masă).** Ștecherile nemodificate și prizele compatibile vor reduce riscul de electrocutare.
- b. **Evitați contactul corpului cu suprafețele împământate precum țevi, radiatoare, cuptoare și frigider.** Există un risc sporit de electrocutare în cazul în care corpul dumneavoastră este în contact cu suprafețele împământate sau legate la masă.
- c. **Nu expuneți uneltele electrice la ploaie sau condiții de umezeală.** Apa care pătrunde într-o unealtă electrică va spori riscul de electrocutare.
- d. **Nu manipulați necorespunzător cablul. Nu utilizați niciodată cablul pentru transportarea, tragerea sau scoaterea din priză a unelei electrice. Țineți cablul departe de căldură, ulei, muchii ascuțite sau componente în mișcare.**
Cablurile deteriorate sau încurcate sporesc riscul electrocutării.
- e. **Atunci când operați o unealtă de lucru în aer liber, utilizați un prelungitor pentru exterior.** Utilizarea unui cablu adecvat pentru exterior reduce riscul de electrocutare.
- f. **În cazul în care operarea unei unelte electrice într-un spațiu cu umiditate nu poate fi evitată, utilizați o alimentare cu dispozitiv de protecție la curent rezidual (RCD).** Utilizarea unui dispozitiv RCD reduce riscul electrocutării.

3. Siguranța corporală

- a. **Fiți precauți, fiți atenți la utilizare și faceți uz de regulile de bun simț atunci când operați o unealtă electrică.**

Nu utilizați o unealtă electrică atunci când sunteți oboșiți sau când vă aflați sub influența drogurilor, alcoolului sau medicației. Un moment de neatenție în timpul operării uneltelor electrice poate conduce la vătămări corporale grave.

- b. **Utilizați echipamentul de protecție corporală. Purtați întotdeauna ochelari de protecție.** Echipamentul de protecție precum măștile anti-praf, încălțăminta de siguranță antiderapantă, căștile sau dopurile pentru urechi utilizate pentru anumite condiții de lucru vor reduce vătămrile corporale.
 - c. **Preîntâmpinați pornirea accidentală. Asigurați-vă că comutatorul se află în poziția oprit înainte de conectarea la sursa de alimentare și/sau la acumulator, înainte de ridicarea sau transportarea uneltei.** Transportarea uneltelor electrice ținând degetul pe comutator sau alimentarea cu tensiune a uneltelor electrice ce au comutatorul în poziția pornit înlesnesc producerea accidentelor.
 - d. **Îndepărtați orice cheie sau clește de reglare înainte de a porni unealta electrică.** O cheie sau un clește rămas atașat la o componentă rotativă a unelei electrice poate conduce la vătămări corporale.
 - e. **Nu vă întindeți pentru a apuca unealta de lucru. Mențineți-vă întotdeauna stabilitatea și echilibrul.** Acest lucru permite un control mai bun al unelei electrice în situații neașteptate.
 - f. **Îmbrăcați-vă corespunzător. Nu purtați îmbrăcăminte largă sau bijuterii. Feriți-vă părul, îmbrăcăminta și mânușile față de componentele în mișcare.**
Îmbrăcăminta largă, bijuteriile sau părul lung pot fi prinse în componentele în mișcare.
 - g. **În cazul în care dispozitivele prezintă posibilitatea conectării de accesorii pentru aspirația și colectarea prafului, asigurați-vă că aceste accesorii sunt conectate și utilizate în mod corespunzător.** Utilizarea dispozitivelor de colectare a prafului poate reduce pericolele impuse de existența prafului.
 - h. **Nu lăsați ca familiaritatea dobândită în urma utilizării frecvente a unelei să vă facă să deveniți neatent și să ignorați principiile de securitate ale unelei.** O acțiune neatentă poate cauza vătămarea gravă în decurs de o secundă.
4. **Utilizarea și îngrijirea uneltelor electrice**
 - a. **Nu forțați unealta electrică. Utilizați unealta electrică adecvată pentru aplicația dvs.**
Unealta de lucru adecvată va efectua lucrarea mai bine și în mod mai sigur, în ritmul pentru care a fost concepută.
 - b. **Nu utilizați unealta electrică în cazul în care comutatorul nu comută în poziția pornit și oprit.**

Orice unealtă electrică ce nu poate fi controlată cu ajutorul comutatorului este periculoasă și trebuie să fie reparată.

- c. **Deconectați ștecherul de la sursa de alimentare și/sau acumulatorul de la unealta electrică înaintea efectuării oricărui reglaje, modificării accesoriilor sau depozitării uneltelor electrice.** Astfel de măsuri preventive de siguranță reduc riscul pornirii accidentale a uneltelor electrice.
- d. **Nu depozitați uneltelor electrice în stare inactivă la îndemâna copiilor și nu permiteți persoanelor nefamiliarizate cu unealta de lucru sau cu aceste instrucțiuni să o utilizeze.**

Uneltelor electrice sunt periculoase în mâinile utilizatorilor neinstruiți.

- e. **Întrețineți uneltelor electrice și accesoriile. Verificați alinierea necorespunzătoare sau blocarea componentelor în mișcare, ruperea componentelor și orice altă stare ce ar putea afecta operarea uneltelor electrice.** În cazul deteriorării, **prevedeți repararea unelei electrice înainte de utilizare.** Multe accidente sunt cauzate de unelte electrice întreținute necorespunzător.
- f. **Păstrați uneltelor de tăiat ascuțite și curate.** Este puțin probabil ca uneltelor de tăiat cu tășuri ascuțite și întreținute în mod corespunzător să se blocheze, acestea fiind mai ușor de controlat.
- g. **Utilizați unealta electrică, accesoriile și cuțitele unelei etc. conform acestor instrucțiuni, ținând cont de condițiile de lucru și de lucrarea ce trebuie să fie efectuată.** Utilizarea unelei de lucru pentru operații diferite de cele conforme destinației de utilizare ar putea conduce la situații periculoase.
- h. **Țineți mânerul și suprafețele de prindere uscate, curate și lipsite de ulei și unsoare.**

Mânerul și suprafețele de prindere alunecoase nu permit manipularea și controlul în siguranță a unelei în situații neașteptate.

5. Service

- a. **Prevedeți repararea unelei de lucru de către o persoană calificată, folosind exclusiv piese de schimb identice.**

Astfel, vă asigurați că se menține siguranța în folosirea unelei.

Avertizări suplimentare de siguranță pentru unealta de lucru



Avertisment! Avertizări suplimentare de siguranță pentru șlefuitoare

- ◆ **Țineți unealta electrică exclusiv de suprafețele izolate pentru apucare deoarece suprafața de șlefuire poate atinge cablul.**

Tăierea unui cablu sub tensiune ar putea determina scurgerea curentului în componentele metalice expuse ale unelei electrice și ar putea electrocuta operatorul.

- ◆ **Utilizați clești sau o altă modalitate practică de a fixa și sprijini piesa de prelucrat pe o platformă stabilă.** Ținând piesa de prelucrat în mână sau sprijinită de corp, aceasta va fi instabilă și poate conduce la pierderea controlului.
- ◆ **Avertisment! Atingerea sau inhalarea pulberilor rezultate în urma aplicațiilor de șlefuire poate pune în pericol sănătatea operatorului și a persoanelor din jur.** Purtați o mască antipraf special concepută pentru protejarea împotriva pulberilor și fumurilor și asigurați-vă că persoanele din zona de lucru sau cele care pătrund în zona de lucru sunt, de asemenea, protejate.
- ◆ **Îndepărtați bine tot praful după șlefuire.**
- ◆ **Fiți foarte atenți atunci când șlefuiți suprafețe vopsite cu vopsea ce poate conține plumb sau atunci șlefuiți lemn și metal ce pot degaja pulberi toxice:**
 - ◆ **Nu permiteți copiilor sau femeilor însărcinate să pătrundă în zona de lucru.**
 - ◆ **Nu mâncați, nu beți și nu fumați în zona de lucru.**
 - ◆ **Eliminați în siguranță particulele de praf și orice alte reziduuri.**
- ◆ **Destinația de utilizare este descrisă în acest manual de instrucțiuni.** Utilizarea oricărui accesoriu sau atașament sau efectuarea oricărei operațiuni cu această unealtă diferite de cele recomandate în prezentul manual de instrucțiuni poate implica un risc de vătămare fizică și/sau daune asupra obiectelor.

Siguranța persoanelor din jur

- ◆ Acest aparat nu este destinat utilizării de către persoane (inclusiv copii) cu capacități fizice, senzoriale sau mentale reduse sau de către persoane lipsite de experiență și cunoștințe, cu excepția cazurilor în care acestea au fost supravegheate și instruite cu privire la utilizarea aparatului de către o persoană responsabilă pentru siguranța lor.
- ◆ Copiii trebuie să fie supravegheați, pentru a vă asigura că nu se joacă cu aparatul.

Riscuri reziduale.

Pot surveni riscuri reziduale suplimentare în timpul utilizării unelei, riscuri ce este posibil să nu fie incluse în avertizările de siguranță atașate. Aceste riscuri pot fi determinate de utilizarea incorectă, utilizarea prelungită etc.

Nici măcar în cazul aplicării regulamentelor de siguranță corespunzătoare și implementării dispozitivelor de siguranță, anumite riscuri reziduale nu pot fi evitate. Acestea includ:

- ◆ Vătămări cauzate de atingerea componentelor în rotire/ mișcare.

- ◆ Vătămări cauzate în momentul schimbării componentelor, lamelor sau accesoriilor.
- ◆ Vătămări cauzate de utilizarea prelungită a unei unelte. La utilizarea unei unelte pe perioade prelungite, asigurați-vă că faceți pauze la intervale regulate.
- ◆ Afectarea auzului.
- ◆ Pericole asupra sănătății cauzate de inhalarea prafului rezultat în urma utilizării uneltei (exemplu:- prelucrarea lemnului, în special a stejarului, fagului și MDF.)

2. Buton de blocare
3. Baza șlefuitorului
4. Manetă de prindere a foii
5. Buton de control viteză variabilă
6. Recipient de praf

Asamblarea

Avertisment! Înainte de asamblare, asigurați-vă că unealta este oprită și deconectată de la priză.

Montarea foilor de șlefuit (fig. A și B, C, D)

Avertisment! Nu utilizați niciodată șlefuitorul fără a fi montată o foaie de șlefuit accesoriu în poziție.

Montarea foilor de șlefuit cu bucle de nailon (fig. A)

- ◆ Asigurați-vă că unealta este oprită și deconectată de la priză.
- ◆ Apăsăți foaia ferm și uniform în baza de șlefuire (3).

Montarea foilor de șlefuit normale (fig. B, C, D)

- ◆ Asigurați-vă că unealta este oprită și deconectată de la priză.
- ◆ Înmuiăți foaia de șlefuit frecând suprafața sa neabrazivă peste marginea unei mese de lucru.
- ◆ Apăsăți manetele clemei (4) în sus pentru a le elibera din canelurile de fixare și deschideți clemele apăsând pe ele în jos (fig. B).
- ◆ Puneți foaia pe baza de șlefuit (3) (fig. C).
- ◆ Introduceți marginea foii de șlefuit în clema frontală de prindere, conform ilustrației (fig. D).
- ◆ Apăsăți maneta clemei din față (4) în jos și poziționați-o în canelura de fixare.
- ◆ Apăsând ușor pe foaie, introduceți marginea din spate a acesteia în clema de prindere din spate.
- ◆ Apăsăți maneta clemei din spate (4) în jos și poziționați-o în canelura de fixare.

Montarea și demontarea recipientului de praf (fig. E)

- ◆ Montați recipientul de praf (6) peste orificiile de evacuare a prafului extras (7).
- ◆ Glisați recipientul de praf pe unealtă și asigurați-vă că este poziționat bine.
- ◆ Pentru a scoate recipientul de colectare a prafului, trageți-l în spate și extrageți-l de pe unealtă.

Utilizarea

Avertisment! Lăsați unealta să funcționeze în ritmul propriu. Nu o suprasolicitați.

Avertisment! Nu acoperiți orificiile de ventilație atunci când utilizați unealta. Asigurați-vă că baza de șlefuire este dreaptă pe piesa de lucru.

Vibrațiile

Valorile declarate ale emisiilor de vibrații, menționate în specificația tehnică și în declarația de conformitate au fost măsurate în conformitate cu metoda standard de testare prevăzută de norma EN62841 și pot fi utilizate pentru compararea diverselor unelte. Valoarea declarată a emisiilor de vibrații poate fi utilizată, de asemenea, în cadrul unei evaluări preliminare în privința expunerii.

Avertisment! Valoarea emisiilor de vibrații în timpul utilizării efective a uneltei electrice poate diferi de valoarea declarată în funcție de modalitățile de utilizare ale uneltei. Nivelul vibrațiilor poate crește peste nivelul menționat.

În cazul evaluării expunerii la vibrații în scopul de a determina măsurile de siguranță solicitate de Directiva 2002/44/CE pentru protejarea persoanelor ce folosesc periodic unelte electrice la locul de muncă, trebuie avută în vedere o estimare a expunerii la vibrații, condițiile efective de utilizare și modalitatea de utilizare a uneltei, luând totodată în calcul toate componentele ciclului de operare precum perioadele în care unealta este oprită și în care funcționează în gol, pe lângă perioadele în care survine blocarea acesteia.

Etichetele prezente pe unealtă

Simbolurile următoare sunt afișate pe unealtă, împreună cu codul de data:



Avertisment! Pentru a reduce riscul vătămării, utilizatorul trebuie să citească manualul de instrucțiuni.

Siguranța electrică



Această unealtă prezintă izolare dublă; prin urmare, nu este necesară împământarea. Verificați întotdeauna ca alimentarea cu energie să corespundă tensiunii de pe plăcuța cu specificații.

- ◆ În cazul în care cablul de alimentare trebuie să fie înlocuit de producător sau de către un centru de service Stanley FatMax autorizat pentru a evita orice dumneavoastră pericol.

Descriere

Această unealtă dispune de unele sau de toate caracteristicile următoare.

1. Întrerupător de pornire/oprire

Buton de control viteză variabilă

Butonul de control al vitezei variabile vă permite să adaptați viteza uneltei la tipul de material al piesei de prelucrat.

- ◆ Setati butonul de control (5) la setarea dorită. Folosiți o viteză ridicată pentru lemn, o viteză medie pentru furnir și materiale sintetice și o viteză redusă pentru sticlă acrilică, metale neferoase și pentru îndepărtarea vopselei

Pornirea și oprirea (fig. F)

- ◆ Pentru a porni unealta, apăsați comutatorul de pornire/oprire (1).
- ◆ Pentru o funcționare continuă, apăsați butonul de blocare (2) și eliberați comutatorul de pornire/oprire.
- ◆ Pentru a opri unealta, eliberați comutatorul de pornire/oprire. Pentru a opri unealta atunci când vă aflați în modul de funcționare continuă, apăsați încă o dată pe comutatorul de pornire/oprire și apoi eliberați-l.

Golirea recipientului de praf

Recipientul de praf (2) trebuie să fie golit la intervale de zece minute.

- ◆ Trageți recipientul de praf (6) în spate și scoateți unealta din orificiul de conectare.
- ◆ Goliți-l într-un recipient adecvat și puneți-l la loc pe unealtă.

Sfaturi pentru utilizarea optimă

- ◆ Pentru confortul utilizatorului, unealta poate fi utilizată cu o mână sau cu ambele mâini (fig. G, H, I). Nu țineți mâinile pe orificiile de ventilație.
- ◆ Nu apăsați prea tare pe unealtă.
- ◆ Verificați în mod regulat starea foi de șlefuit. Înlocuiți atunci când este necesar.
- ◆ Șlefuiți întotdeauna de-a lungul fibrei lemnului.
- ◆ Atunci când șlefuiți straturi proaspete de vopsea înainte de aplicarea unui alt strat, folosiți o granulație foarte fină.
- ◆ Pe suprafețe foarte neregulate sau atunci când îndepărtați straturile de vopsea, începeți cu o granulație mare. Pe alte suprafețe, începeți cu o granulație medie. În ambele cazuri, schimbați treptat cu o granulație fină pentru o finisare netedă.
- ◆ Consultați-vă cu reprezentantul pentru mai multe informații despre accesoriile disponibile.

Întreținerea

Unealta dvs. Stanley Fat Max a fost concepută pentru a opera o perioadă îndelungată de timp, cu un nivel minim de întreținere. Funcționarea satisfăcătoare continuă depinde de îngrijirea corespunzătoare a uneltei și de curățarea periodică.

Avertisment! Scoateți acumulatorul înainte de efectuarea oricăror operații de întreținere asupra uneltei, deconectați încărcătorul înainte de curățare.

- ◆ Curățați în mod regulat fantele de ventilare de pe unealtă folosind o perie moale sau o cârpă uscată.
- ◆ Curățați în mod regulat carcasa motorului folosind o cârpă umedă. Nu utilizați nicio soluție de curățare abrazivă sau pe bază de solvenți.

Înlocuirea ștecherului de alimentare (numai pentru Regatul Unit și Irlanda)

Dacă trebuie instalat un ștecher de alimentare nou:

- ◆ Eliminați în siguranță ștecherul vechi.
- ◆ Conectați cablul maro la borna sub tensiune din ștecherul nou.
- ◆ Conectați conductorul albastru la borna neutră.

Avertisment! Nu trebuie efectuată nicio conexiune la borna de împământare.

Urmați instrucțiunile de montaj furnizate împreună cu ștecherul de bună calitate.

Siguranță recomandată: 5 A.

Protejarea mediului înconjurător



Colectarea selectivă. Produsele și acumulatorii marcați cu acest simbol nu trebuie să fie aruncați împreună cu gunoierul menajer.

Produsele și bateriile conțin materiale care pot fi recuperate sau reciclate, reducând cererea de materii prime.

Vă rugăm să reciclați produsele electrice și bateriile în conformitate cu prevederile locale. Mai multe informații sunt disponibile la www.2helpU.com

Specificații tehnice

		KFFMEW210	FMEW214
Tensiune de intrare	V_{ca}	230	230
Putere absorbită	W	280	280
Oscilații (în gol)	min^{-1}	24000	24000
Traectorii circulare (în gol)	min^{-1}	12000	12000
Suprafața bazei șlefuitorului	mm	187 x 90	187 x 90
Greutate	kg	2.0	2.0

Nivelul presiunii sonore conform cu EN 62841:

KFFMEW210 Presiune sonoră (L_{pa}) 85 dB(A), marjă (K) 3 dB(A)
FMEW214 Presiune sonoră (L_{pa}) 85 dB(A), marjă (K) 3 dB(A)

KFFMEW210 Putere sonoră (L_{WA}) 96 dB(A), marjă (K) 3 dB(A)
FMEW214 Putere sonoră (L_{WA}) 96 dB(A), marjă (K) 3 dB(A)

Valorile totale ale vibrațiilor (suma vectorială a trei axe) conform cu EN 62841:

KFFMEW210 (a_x) 6 m/s², marjă (K) 1,5 m/s²

FMEW214 (a_x) 6 m/s², marjă (K) 1,5 m/s²

Declarația de conformitate CE

DIRECTIVA PENTRU UTILAJE



Mașină de șlefuit KFFMEW210, FMEW214

Stanley Europe declară că aceste produse descrise în „Specificații tehnice” sunt conforme cu normele: 2006/42/EC, EN62841-1:2015, EN62841-2-4:2014.

Aceste produse sunt, de asemenea, conforme cu Directivele 2014/30/UE și 2011/65/UE. Pentru informații suplimentare, vă rugăm să contactați Stanley Europe la următoarea adresă sau să consultați coperta din partea din spate a manualului.

Subsemnatul este responsabil pentru întocmirea dosarului tehnic și face această declarație în numele Stanley FatMax.

R. Laverick
Director tehnic
Stanley Europe, Egide Walschaertsstraat14-18,
2800 Mechelen, Belgia
28/08/2018

Garanție

Stanley Fat Max are încredere în calitatea produselor sale și le oferă clienților o garanție de 12 de luni de la data achiziției. Această garanție completează și nu prejudiciază în niciun fel drepturile dumneavoastră legale. Garanția este valabilă pe teritoriile Statelor Membre ale Uniunii Europene și în Zona Europeană de Comerț Liber.

Pentru a revendica garanția, cererea trebuie să fie în conformitate cu Termenii și condițiile Stanley Fat Max și clientul va trebui să prezinte dovada de cumpărare la vânzător sau la un agent de reparații autorizat. Termenii și condițiile garanției Stanley Fat Max de 1 an și localizarea celui mai apropiat agent de reparații autorizat pot fi obținute de pe Internet la www.2helpU.com, sau contactând biroul Stanley Fat Max la adresa indicată în prezentul manual.

Vă rugăm să vizitați site-ul nostru www.stanley.eu/3 pentru a înregistra noul produs Stanley Fat Max și pentru a fi informat cu privire la produsele noi și ofertele speciale.

Poland www.stanley.com.pl serwis@erpatech.pl	ERPATECH Bakaliowa 26 05-080 Mościska	Tel.	(22) 431 05 05
Czech Republic www.stanley.com.cz bandservis@bandservis.cz	BAND SERVIS CZ s.r.o. K Pasekam 4440 ZLÍN 760 01	Fax.	+48 (22) 468 8735
HUNGARY www.stanley.com.hu service@rotelkft.hu	ROTEL Kft. Központi Márkaszerviz Thököly út 17-19 BUDAPEST 1163	Tel.	577008550
HUNGARY www.stanley.com.hu szerviz@inox.hu	Inox Szolnoki út 27-29. Kecskemét 6000	Fax.	577008559
Serbia www.stanley.com.rs office@hammercom.co.rs	HAMMERCOR d.o.o. Valjevska 3 BEOGRAD 11000	Tel.	577008550
		Fax	403-2260, 403-6533
		Tel.	+36 30 370 7032
		Tel.	+381 (0)11 2543 683
		Fax	+381 (0)11 2543 683

België/Belgique	Stanley Fat Max E. Walschaertstraat 14-16 2800 Mechelen Belgium	De. Tel. +32 70 220 065 Fr. Tel. +32 70 220 066 Fax +32 15 473 799 www.stanleytools.eu Enduser.be@SBDinc.com
Danmark	Stanley Fat Max Farveland 1B 2600 Glostrup	Tel. 70 20 15 10 Fax 70 22 49 10 www.stanleyworks.dk
Deutschland	Stanley Fat Max Richard Klinger Str. 11, D - 65510 Idstein	Tel. 06126 21-1 Fax 06126 21-2770
Ελλάδα	Stanley Fat Max. Στράβωνος 7 & Λεωφ. Βουλιαγμένης 159 Γλυφάδα 166 74 - Αθήνα	Τηλ. +30 210 8981-616 Φαξ +30 210 8983-285 www.stanleyworks.gr
España	Stanley Fat Max. Parc de Negocis "Mas Blau" Edificio Muntadas, c/Bergadá, 1, Of. A6 08820 El Prat de Llobregat (Barcelona)	Tel. 934 797 400 Fax 934 797 419 respuesta.postventa@sbdinc.com www.stanleyworks.es
France	Stanley Fat Max 5 allée des Hêtres B.P. 30084 69579 Limonest Cédex	Tel. 04 72 20 39 20 Fax 04 72 20 39 00 www.stanleyouillage.fr
Helvetia	Stanley Fat Max In der Luberzen 40 8902 Urdorf	Tel. 01 730 67 47 Fax 01 730 70 67 www.stanleyworks.de
Italia	Stanley Fat Max EnergyPark-Building 03 sud, Via Monza 7/A 20871 Vimercate (MB)	Tel. 039-9590200 Fax 039-9590313 www.stanley.it
Nederland	Stanley Fat Max Joulehof 12, 4600 RG Bergen op Zoom	Tel. +31 164 283 065 Fax +31 164 283 200 Enduser.NL@SBDinc.com
Norge	Stanley Fat Max Postboks 4613, Nydalen 0405 Oslo	Tlf. 45 25 13 00 Fax 45 25 08 00
Österreich	Stanley Fat Max Oberlaaerstraße 248, A-1230 Wien	Tel. 01 66116-0 Fax 01 66116-614 www.stanleyworks.de
Portugal	Stanley Fat Max Centro de Escritórios de Sintra Avenida Almirante Gago Coutinho, 132/134, Edifício 142710-418 Sintra 2710-418 Lisboa	Tel. 214667500 Fax 214667575 resposta.posvenda@sbdinc.com
Suomi	Stanley Fat Max Tekniikantie 12, 02150 Espoo	Puh. 010 400 430 Faksi 0800 411 340 www.stanleyworks.fi
Sverige	Stanley Fat Max Box 94, 431 22 Mölndal	Tel. 031-68 61 00 Fax 031-68 60 08
United Kingdom	Stanley Fat Max 210 Bath Road Slough, Berkshire SL1 3YD	Tel. +44 (0)1753 511234 Fax +44 (0)1753 551155 www.stanleytools.co.uk
Middle East & Africa	Stanley Fat Max P.O.Box - 17164 Jebel Ali (South Zone), Dubai, UAE	Tel. +971 4 8127400 Fax +971 4 8127036 www.stanleyworks.ae