





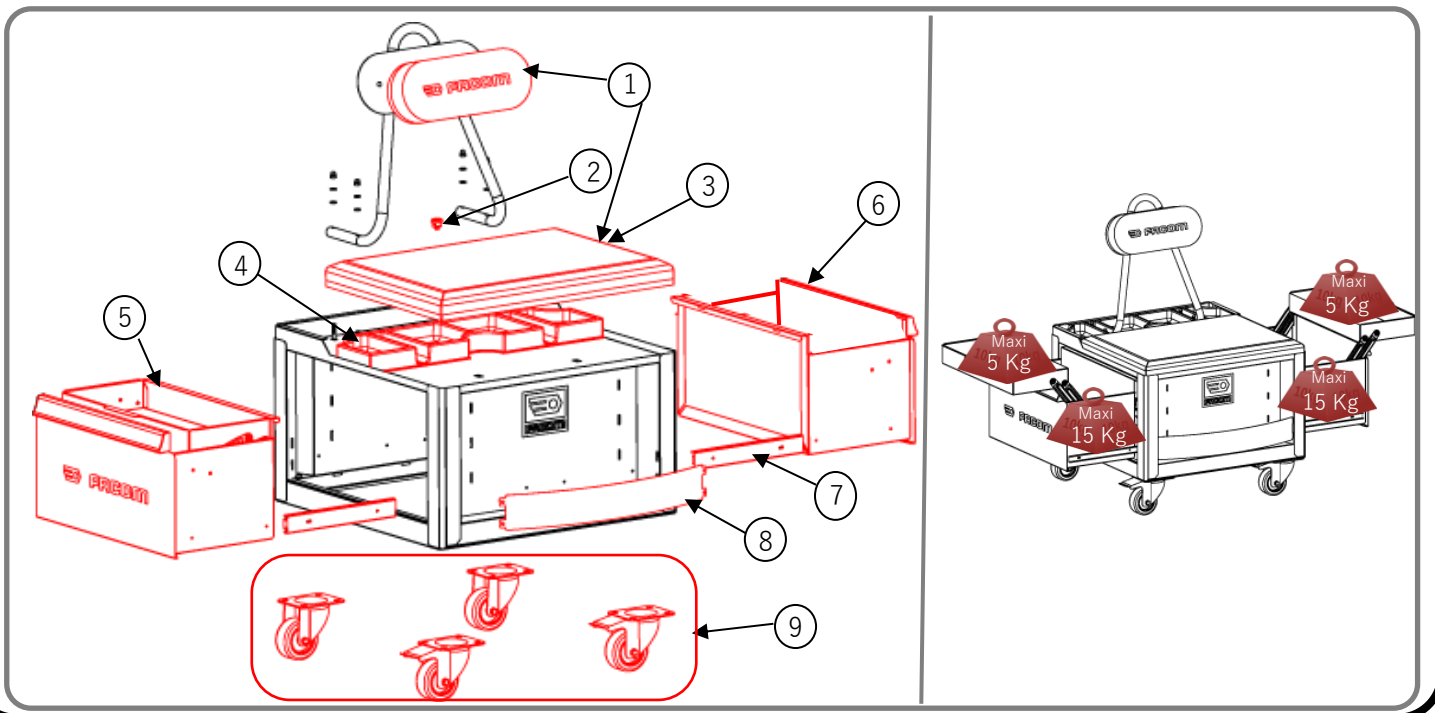


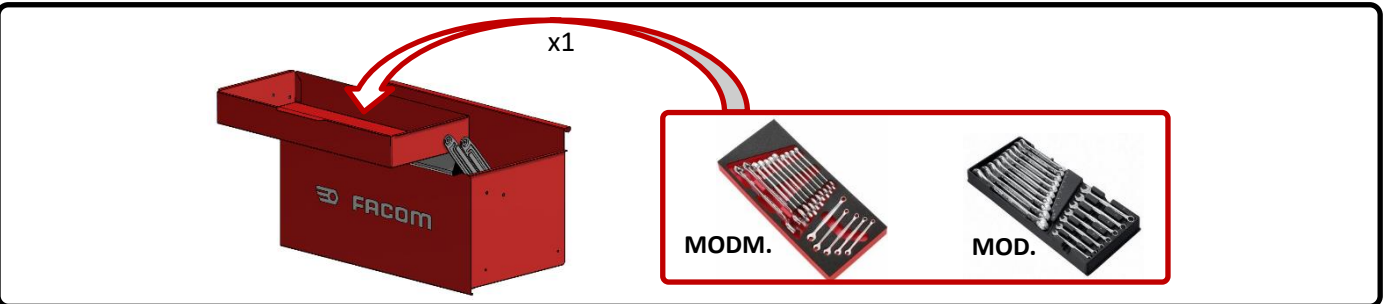
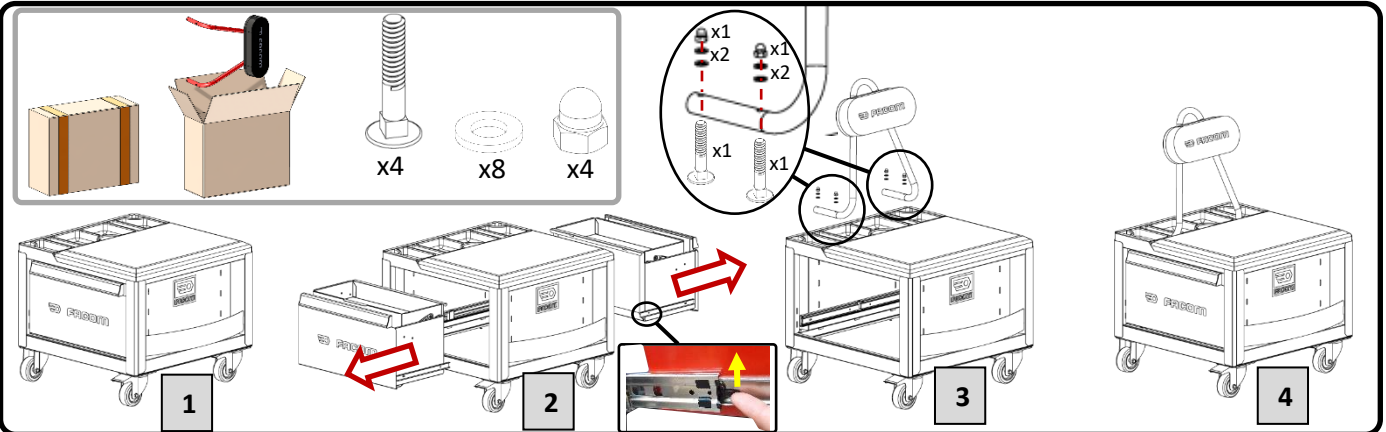
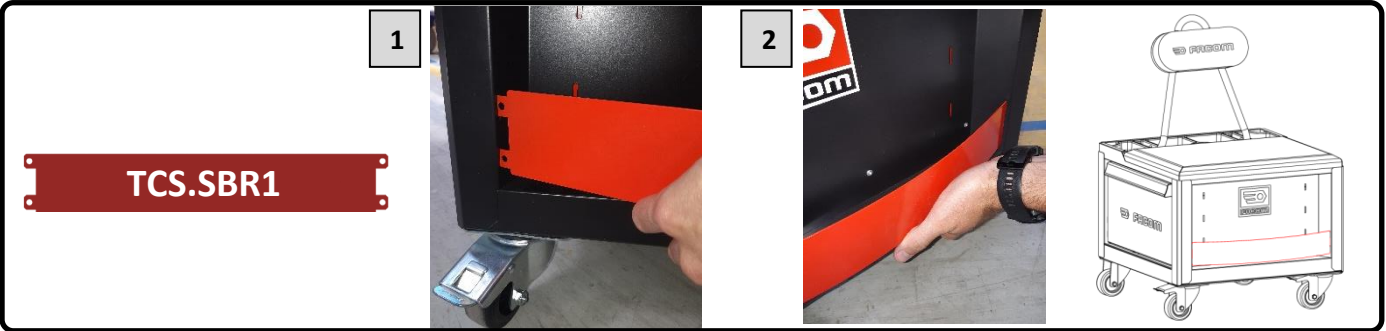
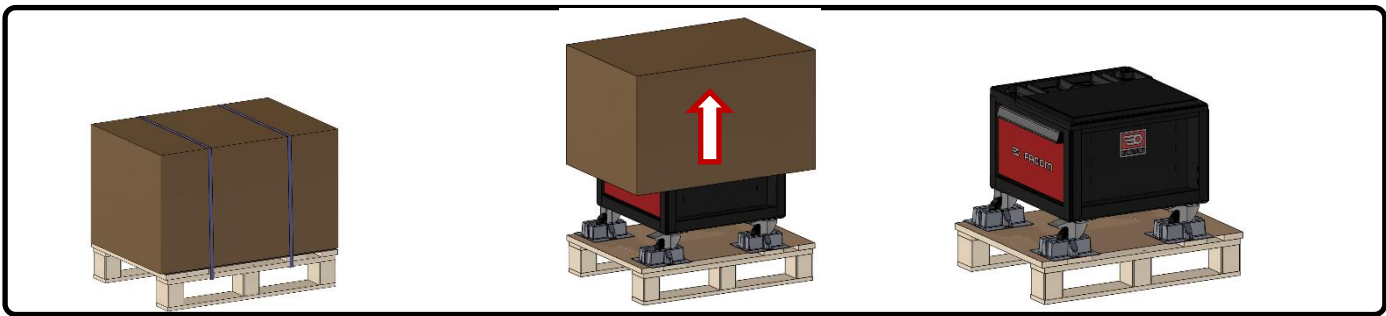
| |  | TCS-E1 | TCS-E2 | TCS-M1 | TCS-M2 | TCS-P1 | TCS-P2 |
|---|--|--------|--------|--------|--------|--------|--------|
| 1 | TCS.01 | 0 | 0 | 1 | 1 | 1 | 1 |
| 2 | 2604.26 | 1 | 1 | 1 | 1 | 1 | 1 |
| 3 | TCS.02 | 1 | 1 | 1 | 1 | 1 | 1 |
| 4 | TCS.03 | 1 | 1 | 1 | 1 | 1 | 1 |
| 5 | TCS.CD  | 0 | 0 | 0 | 1 | 2 | 1 |
| 6 | TCS.D  | 0 | 0 | 2 | 1 | 0 | 1 |
| 7 | TCS.GDF  | 2 | 2 | 2 | 2 | 2 | 2 |
| 8 | TCS.SBR1  | 2 | 2 | 1 | 1 | 1 | 1 |
| 9 | TCS.J4R  | 1 | 1 | 1 | 1 | 1 | 1 |



Stanley Black & Decker France - 5 allée des Hêtres - 69760 Limonest - France

Tel: 01 64 54 45 45 Fax: 01 69 09 60 93 www.facom.com

NU- CREEPER SEAT_1123



Stanley Black & Decker France - 5 allée des Hêtres - 69760 Limonest - France
 Tel: 01 64 54 45 14 www.facom.com

NU- CREEPER SEAT_ 1123