
DEWALT®

www.DEWALT.com

DWE357

English (<i>original instructions</i>)	03
简体中文	09
中文 (繁體)	14
한글판	19

Figure 1

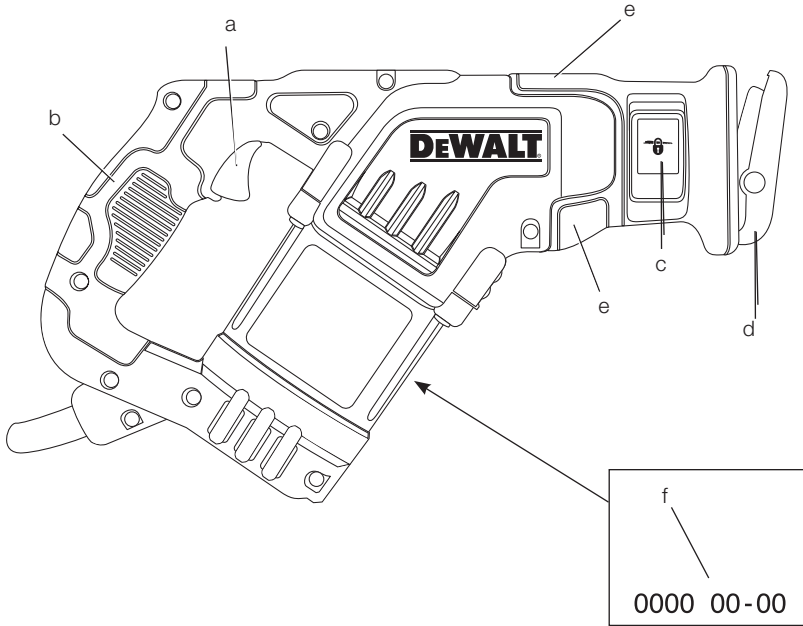


Figure 2

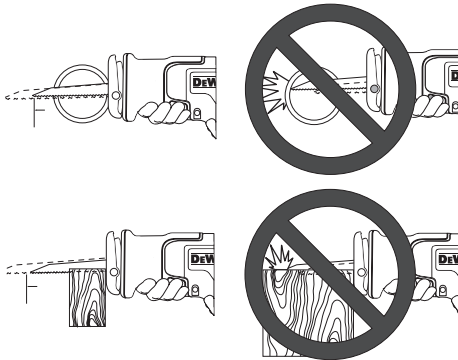


Figure 3

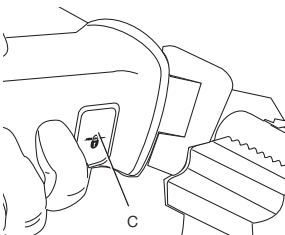


Figure 4

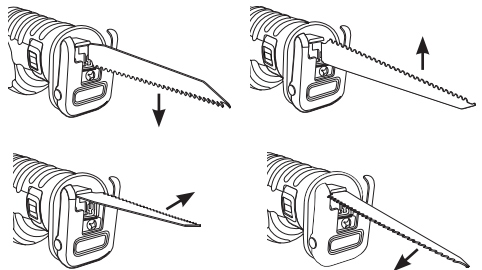


Figure 5

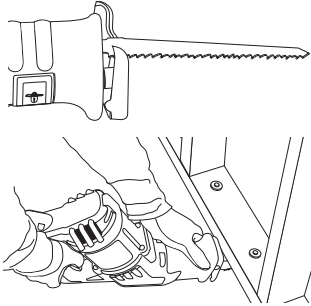


Figure 6

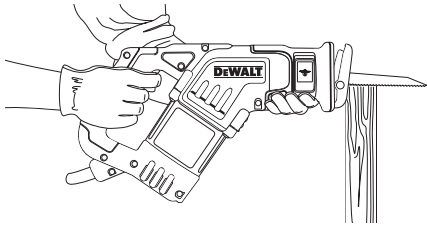


Figure 7

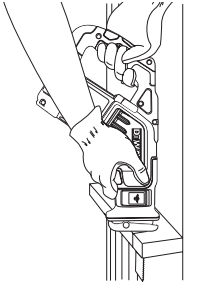


Figure 8

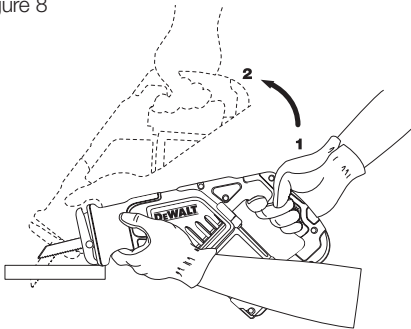
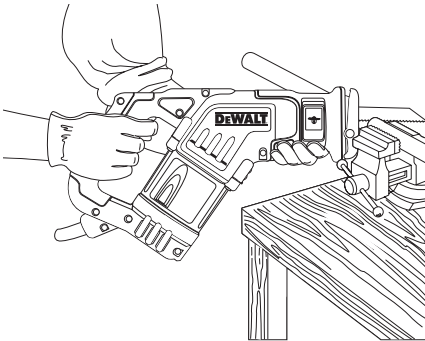


Figure 9



COMPACT VARIABLE SPEED RECIPROCATING SAW

DWE357

Congratulations!

You have chosen a DEWALT tool. Years of experience, thorough product development and innovation make DEWALT one of the most reliable partners for professional power tool users.

Technical Data

		DWE357
Voltage	V	220-240
Type		1
Power output	W	1050
No-load speed	min ⁻¹	0–2800
Stroke length	mm	29
Cutting capacity in wood/ metal profiles/plastic tubes	mm	265/130/160
Weight	kg	3.2

Definitions: Safety Guidelines

The definitions below describe the level of severity for each signal word. Please read the manual and pay attention to these symbols.



DANGER: Indicates an imminently hazardous situation which, if not avoided, **will** result in **death or serious injury**.



WARNING: Indicates a potentially hazardous situation which, if not avoided, **could** result in **death or serious injury**.



CAUTION: Indicates a potentially hazardous situation which, if not avoided, **may** result in **minor or moderate injury**.

NOTICE: Indicates a practice **not related to personal injury** which, if not avoided, **may** result in **property damage**.



Denotes risk of electric shock.



Denotes risk of fire.



WARNING: To reduce the risk of injury, read the instruction manual.

General Power Tool Safety Warnings



WARNING! Read all safety warnings and all instructions. Failure to follow the warnings and instructions may result in electric shock, fire and/or serious injury.

SAVE ALL WARNINGS AND INSTRUCTIONS FOR FUTURE REFERENCE

The term “power tool” in the warnings refers to your mains-operated (corded) power tool or battery-operated (cordless) power tool.

1) WORK AREA SAFETY

- Keep work area clean and well lit.** Cluttered or dark areas invite accidents.
- Do not operate power tools in explosive atmospheres, such as in the presence of flammable liquids, gases or dust.** Power tools create sparks which may ignite the dust or fumes.
- Keep children and bystanders away while operating a power tool.** Distractions can cause you to lose control.

2) ELECTRICAL SAFETY

- Power tool plugs must match the outlet. Never modify the plug in any way. Do not use any adapter plugs with earthed (grounded) power tools.** Unmodified plugs and matching outlets will reduce risk of electric shock.
- Avoid body contact with earthed or grounded surfaces such as pipes, radiators, ranges and refrigerators.** There is an increased risk of electric shock if your body is earthed or grounded.
- Do not expose power tools to rain or wet conditions.** Water entering a power tool will increase the risk of electric shock.
- Do not abuse the cord. Never use the cord for carrying, pulling or unplugging the power tool. Keep cord away from heat, oil, sharp edges or moving parts.** Damaged or entangled cords increase the risk of electric shock.
- When operating a power tool outdoors, use an extension cord suitable for outdoor use.** Use of a cord suitable for outdoor use reduces the risk of electric shock.
- If operating a power tool in a damp location is unavoidable, use a residual**

current device (RCD) protected supply.

Use of an RCD reduces the risk of electric shock.

3) PERSONAL SAFETY

- a) **Stay alert, watch what you are doing and use common sense when operating a power tool. Do not use a power tool while you are tired or under the influence of drugs, alcohol or medication.** A moment of inattention while operating power tools may result in serious personal injury.
- b) **Use personal protective equipment. Always wear eye protection.** Protective equipment such as dust mask, non-skid safety shoes, hard hat, or hearing protection used for appropriate conditions will reduce personal injuries.
- c) **Prevent unintentional starting. Ensure the switch is in the off position before connecting to power source and/or battery pack, picking up or carrying the tool.** Carrying power tools with your finger on the switch or energising power tools that have the switch on invites accidents.
- d) **Remove any adjusting key or wrench before turning the power tool on.** A wrench or a key left attached to a rotating part of the power tool may result in personal injury.
- e) **Do not overreach. Keep proper footing and balance at all times.** This enables better control of the power tool in unexpected situations.
- f) **Dress properly. Do not wear loose clothing or jewellery. Keep your hair, clothing and gloves away from moving parts.** Loose clothes, jewellery or long hair can be caught in moving parts.
- g) **If devices are provided for the connection of dust extraction and collection facilities, ensure these are connected and properly used.** Use of dust collection can reduce dust-related hazards.

4) POWER TOOL USE AND CARE

- a) **Do not force the power tool. Use the correct power tool for your application.** The correct power tool will do the job better and safer at the rate for which it was designed.
- b) **Do not use the power tool if the switch does not turn it on and off.** Any power tool that cannot be controlled with the switch is dangerous and must be repaired.
- c) **Disconnect the plug from the power source and/or the battery pack from**

the power tool before making any adjustments, changing accessories, or storing power tools. Such preventive safety measures reduce the risk of starting the power tool accidentally.

- d) **Store idle power tools out of the reach of children and do not allow persons unfamiliar with the power tool or these instructions to operate the power tool.** Power tools are dangerous in the hands of untrained users.
- e) **Maintain power tools. Check for misalignment or binding of moving parts, breakage of parts and any other condition that may affect the power tool's operation. If damaged, have the power tool repaired before use.** Many accidents are caused by poorly maintained power tools.
- f) **Keep cutting tools sharp and clean.** Properly maintained cutting tools with sharp cutting edges are less likely to bind and are easier to control.
- g) **Use the power tool, accessories and tool bits etc., in accordance with these instructions taking into account the working conditions and the work to be performed.** Use of the power tool for operations different from those intended could result in a hazardous situation.

5) SERVICE

- a) **Have your power tool serviced by a qualified repair person using only identical replacement parts.** This will ensure that the safety of the power tool is maintained.

Additional Safety Instructions for Reciprocating Saws

- **Hold power tool by insulated gripping surfaces when performing an operation where the cutting accessory may contact hidden wiring or its own cord.** Cutting accessory contacting a "live" wire will make exposed metal parts of the power tool "live" and could give the operator an electric shock.
- **ALWAYS wear a dust mask.** Exposure to dust particles can cause breathing difficulty and possible injury.
- **NEVER** switch on the tool when the saw blade is jammed in the workpiece or in contact with the material.
- **Keep hands away from moving parts.** Never place your hands near the cutting area.
- **Use extra caution when cutting overhead and pay particular attention to overhead**

wires which may be hidden from view.

Anticipate the path of falling branches and debris ahead of time.

- **Do not operate this tool for long periods of time.** Vibration caused by the operating action of this tool may cause permanent injury to fingers, hands, and arms. Use gloves to provide extra cushion, take frequent rest periods, and limit daily time of use.

SWITCHING ON AND OFF

- After switching off, never attempt to stop the saw blade with your fingers.
- Never put the saw down on a table or work bench unless switched off. The saw blade will keep running briefly after the tool has been switched off.

WHEN SAWING

- When using saw blades specially designed for cutting wood remove all nails and metal objects from the workpiece before starting work.
- Wherever possible, use clamps and vices to fasten the workpiece securely.
- Do not attempt to saw extremely small workpieces.
- Do not bend too far forward. Make sure that you always stand firmly, particularly on scaffolding and ladders.
- Always hold the saw with both hands.
- For cutting curves and pockets, use an adapted saw blade.

CHECKING AND CHANGING THE SAW BLADE

- Only use saw blades conforming to the specifications contained in these operating instructions.
- Only sharp saw blades in perfect working condition should be used; cracked or bent saw blades should be discarded and replaced at once.
- Ensure that the saw blade is securely fixed.

Residual Risks

In spite of the application of the relevant safety regulations and the implementation of safety devices, certain residual risks cannot be avoided. These are:

- Impairment of hearing.
- Risk of personal injury due flying particles.
- Risk of burns due to accessories becoming hot during operation.
- Risk of personal injury due to prolonged use.

Markings on Tool

The following pictograms are shown on the tool:



Read instruction manual before use.

DATE CODE POSITION (FIG. 1)

The date code (f), which also includes the year of manufacture, is printed into the housing.

Example:

2012 XX XX

Year of Manufacture

Package Contents

The package contains:

- 1 Reciprocating Saw
- 1 Kitbox
- 1 Instruction manual
 - Check for damage to the tool, parts or accessories which may have occurred during transport.
 - Take the time to thoroughly read and understand this manual prior to operation.

Description (fig. 1)



WARNING: Never modify the power tool or any part of it. Damage or personal injury could result.

- Trigger switch
- Main handle
- Blade clamp release lever
- Shoe
- Hand grip

INTENDED USE

Your DWE357 compact variable speed reciprocating saw is designed for professional cutting of wood, metal, plastic and drywall.

DO NOT use under wet conditions or in presence of flammable liquids or gases.

This reciprocating saw is a professional power tool.

DO NOT let children come into contact with the tool. Supervision is required when inexperienced operators use this tool.

- This product is not intended for use by persons (including children) suffering from diminished physical, sensory or mental abilities; lack of experience, knowledge or skills unless they are supervised by a person responsible for their

safety. Children should never be left alone with this product.

Electrical Safety



This tool is double insulated; therefore no earth wire is required. Always check that the power supply corresponds to the voltage on the rating plate.

If the supply cord is damaged, it must be replaced by the manufacturer or an authorised Black & Decker Service Centre in order to avoid a hazard.

Using an Extension Cable

If an extension cable is required, use an approved 3-core extension cable suitable for the power input of this tool (see **Technical Data**). The minimum conductor size is 1.5 mm²; the maximum length is 30 m.

When using a cable reel, always unwind the cable completely.

ASSEMBLY AND ADJUSTMENTS



WARNING: To reduce the risk of injury, turn unit off and disconnect machine from power source before installing and removing accessories, before adjusting or changing set-ups or when making repairs. Be sure the trigger switch is in the OFF position. An accidental start-up can cause injury.

Variable Speed Trigger Switch (fig. 1)



WARNING: This tool has no provision to lock the switch in the ON position, and should never be locked ON by any other means.

The variable speed trigger switch (a) will give you added versatility. The further the trigger is depressed the higher the speed of the saw.



CAUTION: Use of very slow speed is recommended only for beginning a cut. Prolonged use at very slow speed may damage your saw.

OPERATION

Instructions for Use



WARNING: Always observe the safety instructions and applicable regulations.



WARNING: To reduce the risk of injury, turn unit off and disconnect machine from power source before installing and removing accessories, before adjusting or changing set-ups or when making repairs. Be sure the trigger switch is in the OFF position. An accidental start-up can cause injury.

Blade Installation and Removal (fig. 2–4, 7)



WARNING: To reduce the risk of serious personal injury, turn tool off and disconnect tool from power source before making any adjustments or removing/installing attachments or accessories. An accidental start-up can cause injury.

Different blade lengths are available. Use the appropriate blade for the application. The blade should be longer than 89 mm (3-1/2") and should extend past the shoe and the thickness of the workpiece during the cut. Do not use jigsaw blades with this tool.



WARNING: Cut hazard. Blade breakage may occur if the blade does not extend past the shoe and the workpiece during the cut (fig. 2). Increased risk of personal injury, as well as damage to the shoe and workpiece may result.

TO INSTALL BLADE INTO SAW

1. Pull blade clamp release lever (c) up (fig. 3).
2. Insert blade shank from the front.
3. Push blade clamp release lever down.

NOTE: The blade can be installed in four positions as shown in Figure 4. The blade can be installed upside-down to assist in flush-to cutting as shown in Figure 7.

TO REMOVE BLADE FROM SAW



CAUTION: Burn hazard. Do not touch the blade immediately after use. Contact with the blade may result in personal injury.

1. Open up blade clamp release lever.
2. Remove blade.

Proper Hand Position (fig. 1, 5–9)



WARNING: To reduce the risk of serious personal injury, **ALWAYS** use proper hand position as shown.



WARNING: To reduce the risk of serious personal injury, **ALWAYS** hold securely in anticipation of a sudden reaction.

electric shock, and/or serious personal injury.

Proper hand position requires one hand on the main handle (b), with the other hand on the hand grip (e).

Cutting with Blade in Horizontal Position (fig. 5)

Your DWE357 is equipped with a horizontal blade clamp. Installing a blade in the horizontal orientation allows cutting close to floors, walls or ceilings where limited clearance is available. Ensure that the shoe is pressed against the framing to avoid kickback.



CAUTION: Cut hazard. To prevent loss of control, never use tool without shoe.

The DWE357 comes with a fixed shoe that is not adjustable.

Cutting (fig. 5–9)



WARNING: Always use eye protection. All users and bystanders must wear eye protection that conforms to ANSI Z87.1.



WARNING: Exercise extra caution when cutting towards operator. Always hold saw firmly with both hands while cutting.

Before cutting any type of material, be sure it is firmly anchored or clamped to prevent slipping. Place blade lightly against work to be cut, switch on saw motor and allow it to obtain maximum speed before applying pressure. Whenever possible, the saw shoe must be held firmly against the material being cut (fig. 6). This will prevent the saw from jumping or vibrating and minimize blade breakage. Any cuts which put pressure on the blade such as angle or scroll cuts increase potential for vibration, kickback, and blade breakage.



WARNING: Use extra caution when cutting overhead and pay particular attention to overhead wires which may be hidden from view. Anticipate the path of falling branches and debris ahead of time.



WARNING: Inspect work site for hidden gas pipes, water pipes or electrical wires before making blind or plunge cuts. Failure to do so may result in explosion, property damage,

FLUSH-TO CUTTING (FIG. 7)

The compact design of the saw motor housing and spindle housing permits extremely close cutting to floors, corners and other difficult areas.

POCKET/PLUNGE CUTTING – WOOD ONLY (FIG. 8)

The initial step in pocket cutting is to measure the surface area to be cut and mark clearly with a pencil, chalk or scribe. Use the appropriate blade for the application. The blade should be longer than 89 mm (3-1/2") and should extend past the shoe and the thickness of the workpiece during the cut. Insert blade in blade clamp.

Next, tip the saw backward until the back edge of the shoe is resting on the work surface and the blade clears the work surface (position 1, fig. 8). Now switch motor on, and allow saw to come up to speed. Grip saw firmly with both hands and begin a slow, deliberate upward swing with the handle of the saw, keeping the bottom of the shoe firmly in contact with the workpiece (position 2, fig. 8). Blade will begin to feed into material. Always be sure blade is completely through material before continuing with pocket cut.

NOTE: In areas where blade visibility is limited, use the edge of the saw shoe as a guide. Lines for any given cut should be extended beyond edge of cut to be made.

METAL CUTTING (FIG. 9)

Your saw has different metal cutting capacities depending upon type of blade used and the metal to be cut. Use a finer blade for ferrous metals and a coarse blade for non-ferrous materials. In thin gauge sheet metals it is best to clamp wood to both sides of sheet. This will ensure a clean cut without excess vibration or tearing of metal. Always remember not to force cutting blade as this reduces blade life and causes costly blade breakage.

NOTE: It is generally recommended that when cutting metals you should spread a thin film of oil or other lubricant along the line ahead of the saw cut for easier operation and longer blade life.

MAINTENANCE

Your DEWALT power tool has been designed to operate over a long period of time with a minimum of maintenance. Continuous satisfactory operation depends upon proper tool care and regular cleaning.



WARNING: To reduce the risk of injury, turn unit off and disconnect machine from power source before

installing and removing accessories, before adjusting or changing set-ups or when making repairs.

Be sure the trigger switch is in the OFF position. An accidental start-up can cause injury.



Lubrication

Your power tool requires no additional lubrication.



Cleaning



WARNING: Blow dirt and dust out of the main housing with dry air as often as dirt is seen collecting in and around the air vents. Wear approved eye protection and approved dust mask when performing this procedure.



WARNING: Never use solvents or other harsh chemicals for cleaning the non-metallic parts of the tool. These chemicals may weaken the materials used in these parts. Use a cloth dampened only with water and mild soap. Never let any liquid get inside the tool; never immerse any part of the tool into a liquid.

Optional Accessories



WARNING: Since accessories, other than those offered by DEWALT, have not been tested with this product, use of such accessories with this tool could be hazardous. To reduce the risk of injury, only DEWALT recommended accessories should be used with this product.

Consult your dealer for further information on the appropriate accessories.

Protecting the Environment



Separate collection. This product must not be disposed of with normal household waste.

do not dispose of it with household waste. Make this product available for separate collection.



Separate collection of used products and packaging allows materials to be recycled and used again. Re-use of recycled materials helps prevent environmental pollution and reduces the demand for raw materials.

Local regulations may provide for separate collection of electrical products from the household, at municipal waste sites or by the retailer when you purchase a new product.

DEWALT provides a facility for the collection and recycling of DEWALT products once they have reached the end of their working life. To take advantage of this service please return your product to any authorised repair agent who will collect them on our behalf.

You can check the location of your nearest authorised repair agent by contacting your local DEWALT office at the address indicated in this manual. Alternatively, a list of authorised DEWALT repair agents and full details of our after-sales service and contacts are available on the Internet at: www.2helpU.com.

Should you find one day that your DEWALT product needs replacement, or if it is of no further use to you,

高效紧凑型变速往复锯

DWE357

恭喜！

恭喜您选择了得伟工具。凭借多年的经验和产品开发及创新方面的不断努力，得伟已经成为专业电动工具用户的最可靠伙伴之一。

技术参数

		DWE357
电压	伏特	220
型号		1
功率输出	瓦	1050
空载转速	转/分	0-2800
行程长度	毫米	29
木材/金属型材/ 塑料管切割能力		
	毫米	265/130/160
重量	千克	3.2

定义：安全指引

下列定义解释了各警示词的严重程度。请仔细阅读本手册，并注意这些警示符号。



危险：表示存在紧急危险情况，如果不加以避免，将导致死亡或严重伤害。



警告：表示存在潜在危险情况，如果不加以避免，可能导致死亡或严重伤害。



警示：表示存在潜在危险情况，如果不加以避免，可能导致轻度或中度伤害。

注意：表示不涉及人身伤害的情况，如果不加以避免，可能导致财产损失。



表示存在触电危险。



表示存在火灾危险。



警告：为降低伤害风险，请阅读使用手册。

电动工具一般安全警告



警告！阅读所有警告和所有说明。不遵照以下警告和说明会导致电击、着火和/或严重伤害

请保存所有警告和说明书，以备将来查阅。

在所有下列警告中术语“电动工具”指市电驱动（有线）电动工具、或电池驱动（无线）电动工具。

a) 工作场地的安全

- 1) 保持工作场地清洁和明亮。混乱和黑暗的场所会引发事故。
- 2) 不要在易爆环境，如有易燃液体、气体或粉尘的环境下操作电动工具。电动工具产生的火花会点燃粉尘或气体。
- 3) 让儿童和旁观者离开后操作电动工具。注意力不集中会使操作者失去对工具的控制。

b) 电气安全

- 1) 电动工具插头必须与插座相配。绝不能以任何方式改装插头。需接地的电动工具不能使用任何转换插头。未经改装的插头和相配的插座将减少电击风险。
- 2) 避免人体接触接地表面，如管道、散热片、冰箱。如果你身体接地会增加电击危险。
- 3) 不得将电动工具暴露在雨或潮湿环境中。水进入电动工具将增加电击危险。
- 4) 不得滥用电线。绝不能使用电线搬运、拉动电动工具或拔出其插头。使电线远离热源、油、锐边或运动部件。受损或缠绕的软线会增加电击危险。
- 5) 当在户外操作电动工具时，使用适合户外使用的外接软线。适合户外使用的软线将减少电击的危险。
- 6) 如果在潮湿的环境下操作电动工具是不可避免的，应使用剩余电流动作保护器（RCD）。使用 RCD 可减小电击的危险。

c) 人身安全

- 1) 保持警觉。当操作电动工具时关注所从事的操作并保持清醒。当你感到疲倦，或在有药物、酒精或治疗反应时，不要操作电动工具。在操作电动工具时瞬间的疏忽会导致严重人身伤害。
- 2) 使用个人防护装置。始终佩戴护目镜。安全装置，诸如适当条件下使用防全面具、防滑安全鞋、安全帽，听力保护等装置能减少人身伤害。
- 3) 防止意外起动。确保开关在连接电源和/或电池盒，拿起或搬运工具时处于关断位置。手指放在已接通电源的开关上或开关处于接通时插入插头可能会导致危险。

- 4) 在电动工具接通之前，拿掉所有调节钥匙或扳手。遗留在电动工具旋转零件上的扳手或钥匙会导致人身伤害。
- 5) 手不要伸得太长。时刻注意立足点和身体平衡。这样在意外情况下能很好地控制电动工具。
- 6) 着装适当。不要穿宽松的衣服或佩戴饰品。让衣服、手套和头发远离运动部件。宽松衣服、配饰或长发可能会卷入运动部件中。
- 7) 如果提供了与排屑装置、集尘设备连接的装置，要确保这些装置连接完好且使用得当。使用这些装置可减少碎屑引起的危险。

d) 电动工具的使用和注意事项

- 1) 不要滥用电动工具。根据用途使用适当的电动工具。选用适当设计的电动工具会使您工作更有效、更安全。
- 2) 如果开关不能接通或关断工具电源，则不能使用该电动工具。不能用开关来控制的电动工具是危险的且必须进行修理。
- 3) 在进行任何调节、更换附件或贮存电动工具之前，必须从电源上拔掉插头和/或使电池盒与工具脱开。这种防护性措施将减少工具意外起动的危险。
- 4) 将闲置不用的电动工具贮存在儿童所及范围之外，并且不要让不熟悉电动工具或对说明不了解的人操作电动工具。电动工具在未经培训的用户手中是危险的。
- 5) 保养电动工具。检查运动部件是否调整到位或卡主、检查零件破损情况和影响电动工具运行的其它状况。如有损坏，电工工具应在使用前修理好。许多事故由维护不良电动工具所导致。
- 6) 保持切削刀具锋利和清洁。保养良好的有锋利切削刃的刀具不易卡住，而且更容易控制。
- 7) 按照使用说明，考虑作业条件和进行的工作来使用电动工具、附件和工具的刀头等。将电动工具用于那些与其用途不符的操作可能会导致危险。

e) 维修

- 1) 将你的电工工具送交专业维修人员，使用同样的备件进行修理。这样将确保所维修的电动工具的安全性。

往复式电锯附加安全指南

- 在切削附件有可能触及暗线或其自身导软线进行操作时，要通过绝缘握持面来握工具。若切削附件碰到带电导线会使工具外露的金属零件带电从而是操作者受到电击。

- 任何时候都须佩戴防尘罩。暴露在粉尘微粒中可能会导致呼吸苦难和可能的伤害。
- 切勿在锯片卡在工件里或接触其他材料时开启工具。
- 双手远离活动部件。双手切勿靠近切割区域。
- 在头顶上方切割时须格外小心，要特别留意头顶上方视野无法看到的电线。提前预判下落碎条和碎片的路径。
- 不要长时间操作此工具。本工具运行引起的震动可能对手指、手部和手臂造成永久伤害。使用手套提供额外缓冲，经常停下休息，并限制使用时间。

启动与关闭

- 关闭电锯之后，切勿尝试使用手指停止锯片。
- 关闭电锯之前切勿将电锯放到桌子或工作台上。关闭电锯之后锯片将继续运动一会。

切割时

- 在使用切割木材的专用锯片时，请在开始工作前清除工件上的所有钉子和金属物体。
- 在可能的情况下，使用夹具和虎钳牢固锁紧工件。
- 请勿尝试切割极小的工件。
- 不要过分前倾。确保稳固站立，尤其是站在脚手架或梯子上时。
- 务必双手握持电锯。
- 切割曲面或开口时，请使用合适的锯片。

检查及更换锯片

- 只可使用符合这些操作指示里所列规格的锯片。
- 只可使用工作状况非常良好的锋利锯片；破裂或弯曲的锯片应被丢弃并立即予以更换。
- 确保锯片固定牢固。

剩余风险

尽管遵守了相关的安全法规并采用了安全装备，某些剩余风险仍然是无法避免的。这些风险包括：

- 听力损伤。
- 飞散颗粒造成的人身伤害风险。
- 操作过程中附件加热而产生的烧伤危险。
- 长时间使用引起的人身伤害。

工具上的标识

工具有下列标志：



使用前请阅读使用手册。

日期码位置 (图 1)

包含制造年份的日期码 (f) 印在工具外壳上。

例如:

2012 XX XX

制造年份

包装内容

本产品包装内含有:

1 台往复式电锯

1 个工具箱

1 本使用手册

- 检查工具、部件或附件是否在运输过程中损坏。
- 操作前, 请抽空仔细阅读并掌握本手册。

描述 (图 1)



警告: 切勿改装电动工具或其任何部分, 否则可能会导致损坏或人身伤害。

- 触发开关
- 主握柄
- 锯片夹具释放杆
- 导板
- 副握柄

设计用途

DWE357 紧凑型变速往复式电锯设计用于专业切割木材、金属和石膏板。

禁止在潮湿环境中或在有易燃液体或气体的环境中使用本工具。

此往复式电锯是专业的电动工具。请勿让儿童接触工具。缺乏经验的操作员需要在监督下使用本工具。

- 本产品不适合体力、感官或智力不足以及缺乏经验、知识或技能的人员 (包括儿童) 使用, 除非一旁有能为他们的安全负责的监督人员。不得在无人监管的情况下让儿童触及本产品。

电器安全



本工具采用双重绝缘, 因此无需接地线。请务必检查电源是否与铭牌上的电压一致。

如果电源线损坏, 必须让制造商或授权的 Black & Decker 服务中心更换以避免发生危险。

使用延长电缆

如需使用延长电缆, 请使用与本工具的输入电源 (见 **技术参数**) 相符且经检验的 3 芯延长电缆。导体的最小尺寸为 1.5 平方毫米, 最大长度为 30 米。

使用电缆卷筒时, 请务必拉出所有的电缆。

组装和调整



警告: 为降低人身伤害的风险, 在拆、装附件或调整、修理工具之前, 请关闭工具并拔下工具插头。请确保触发开关处于 OFF 位置。意外启动容易导致严重的人身伤害。

变速触发开关 (图 1)



警告: 此工具不提供将开关锁定在 ON 位置的功能, 切勿通过任何其他方式来锁定 ON。

变速触发开关 (a) 具有更高的多功能适用性。触发开关被按下越多, 电锯的速度越快。



注意: 只建议在开始切割时使用很低的速度。以很低的速度长时间使用可损坏电锯。

操作

使用说明



警告: 请务必遵守安全指示和适用法规。



警告: 为降低人身伤害的风险, 在拆、装附件或调整、修理工具之前, 请关闭工具并拔下工具插头。请确保触发开关处于 OFF 位置。意外启动容易导致严重的人身伤害。

锯片安装和取出 (图 2-4、7)



警告: 为降低严重的人身伤害风险, 在进行任何调整或取出/安装配件或附件之前, 请关闭工具电源和断开工具电源连接。意外启动容易导致严重的人身伤害。

有不同长度的锯片可供选用。使用适合工作的锯片。锯片应长于 89 mm (3-1/2"), 并应超出导板长度和切割工件的厚度。此工具不可使用线锯锯片。



警告: 切割危险。切割时若锯片长度未能超出导板长度和工件厚度, 可能发生锯片断裂 (图 2)。增加人身伤害风险, 并导致导板和工件损坏。

将锯片安装到电锯中

1. 将锯片夹具释放杆 (c) 向上拉 (图 3)。
2. 从正面插入刀柄。
3. 按下锯片夹具释放杆。

注：锯片可以安装在四个位置，如图 4 所示。锯片可以锯齿朝上反装，方便进行齐平切割，如图 7 所示。

将锯片从电锯取出



注意：灼伤危险。使用工具后请勿马上触摸锯片。接触锯片可能导致人身伤害。

1. 打开锯片夹具释放杆。
2. 取出锯片。

正确的手持方式 (图 1、5-9)



警告：为降低严重的人身伤害风险，请始终使用正确的手持方式，如图所示。



警告：为降低严重的人身伤害风险，预期有突然反应时务必紧握住工具。

正确的手部位置要求一只手握住主握柄 (b)，另一只手则握住副握柄 (e)。

在水平位置使用锯片切割 (图 5)

您的 DWE357 配备水平锯片夹具。将锯片安装在水平位置，能在可用空隙有限的地板、墙壁或天花板附近进行切割。确保导板已压紧框架，避免反冲。



注意：切割危险。为避免失去控制，操作工具时务必要使用导板。

DWE357 配备不可调节的固定导板。

切割 (图 5-9)



警告：始终佩戴护目镜。所有用户和旁观者必须配戴符合 ANSI Z87.1 标准的护目镜。



警告：在朝向操作人员进行切割时须格外小心。切割时始终使用双手握紧电锯。

在切割任何种类的材料前，请确保将其稳固地固定或夹紧，防止滑动。将锯片轻轻抵住待切割的工件，开启电锯马达，待其达到最大速度后再施加压力。任何时候只要有可能，电锯导板必须紧紧抵住正被切割的材料 (图 6)。这样可以防止电锯跳起或震动，最大程度降低锯片破损风险。任何对锯片施压的切割方式，比如变向或滚动切割，都将增大震动、反冲和锯片破损的可能性。



警告：在头顶上方切割时须格外小心，要特别留意头顶上方视野无法看到的电线。提前预判下落碎条和碎片的路径。



警告：在进行盲切或切入式切割前须检查工作场地是否存有隐藏的气管、水管或电线。否则可能导致爆炸、财产损失、触电和 / 或严重的人身伤害。

齐平切割 (图 7)

电锯电动机外壳和心轴外壳设计紧凑，可以对地板、墙角和其他难以切割的区域进行极其靠近的切割。

开口 / 切入式切割 - 仅限木材 (图 8)

进行开口切割的第一步就是测量待切割的表面区域，并使用铅笔、粉笔或画线器标注清楚。使用适合工作的锯片。锯片应长于 89 mm (3-1/2")，并应超出导板长度和切割工件的厚度。将锯片插入锯片夹具。

之后将电锯往后倾斜，直到导板后缘停在工作表面，锯片没有接触到工作表面 (位置 1, 图 8)。现在，开启马达，等待电锯速度上来。双手紧握电锯，让电锯握柄小心翼翼地缓慢向上转动，保持导板底部与工件紧密接触 (位置 2, 图 8)。锯片将开始深入材料中。继续开口切割前总是确保锯片完全穿透材料。

注：在查看锯片视野受限的区域，请利用电锯导板边缘做为参考。任何指定切割的线条应被延伸超出将要进行的切割的边缘。

金属切割 (图 9)

根据所用锯片和待切割金属的类型，您的电锯具备不同的金属切割能力。对于含铁金属使用更精制的锯片，对于有色金属材料使用粗制锯片。切割薄尺寸金属板材时最好是在板材两面都夹上木材。这将确保整洁切割，没有过多震动或金属撕裂。切记不要对切割锯片过分用力，否则将缩短锯片寿命并导致代价昂贵的锯片破损。

注：在您切割金属时，为更容易操作和延长锯片寿命，通常建议您沿锯切线提前涂上一层油膜或其他润滑剂。

维护

您的得伟电动工具设计精良，可以长期运作，而只需极少的维护。若要连续、有效的操作，需要进行适当的工具维护和定期清洁。



警告：为降低人身伤害的风险，在拆、装附件或调整、修理工具之前，请关闭工具并拔下工具插头。请确保触发开关处于 OFF 位置。意外启动容易导致严重的人身伤害。



润滑

本电动工具无需另行润滑。



清洁



警告：一旦通风口和周围积聚了可见的粉尘，请立即用干燥的空气吹走主机外壳内的粉尘和灰尘。执行此过程时，需戴上经认可的护目装备和防尘面具。



警告：切勿使用溶剂或其他烈性化学制品来清洁工具的非金属部件。这些化学物质可能会削弱这些部位使用的材料。请用布蘸温和的肥皂水擦拭。切勿让任何液体渗入工具，切勿让工具的任何部分浸在液体中。

可选附件



警告：由于非得伟供应的附件未经本产品匹配测试，将此类附件用于本工具可能造成危险。为降低伤害风险，本产品仅可使用得伟推荐的附件。

请向您的经销商咨询更多关于合适附件的信息。

环境保护



分类回收。本产品不得与普通家庭垃圾一起处理。

如果某一天您的得伟产品需要更换或不再使用，请不要把它和家庭垃圾一起处理。请将它们单独分类回收。



分类回收使用过的产品和包装能够让材料得以再循环和再利用。再生材料的再利用有助于防止环境污染，并降低对原材料的需求。

当地法规可能要求由市政废物处理点或向您出售新产品的零售商提供从家庭中分类回收电气产品的服务。

一旦产品到达它们的工作寿命，得伟提供回收和再循环得伟产品的设施。若要享受这项服务，请将产品送回任一授权维修代理，他们将代表我们回收您的产品。

您可通过联系本手册中所载的当地得伟办事处查询最靠近您的授权维修代理的位置。此外，您也可以通过网站获得授权的得伟维修代理列表以及我们售后服务与联络方式的全部详情，网站地址：www.2helpU.com。

制造商：百得德国公司

地址：Black & Decker Str.40 65510 Idstein, 德国

产地：墨西哥

1050W 軍刀鋸

DWE357

恭喜閣下！

感謝您選購 DEWALT 工具。憑藉多年的產品開發和創新經驗，DEWALT 已成為專業電動工具使用者最信賴的夥伴。

技術資料

		DWE357
電壓	伏特	115
類型		1
輸入功率/輸出功率	瓦特	1050/900
空載速度	轉/分	0-2800
行程長度	公釐	29
在木材/金屬剖面/ 塑料裝管的切割能力	公釐	265/130/160
重量	kg	3.2

定義：安全指南

以下定義描述了每一個詞彙的嚴重程度。請閱讀該手冊並注意這些符號。



危險：表示緊急危險情況，若未能避免，將導致死亡或嚴重傷害。



警告：表示潛在危險情況，若未能避免，可能導致死亡或嚴重傷害。



小心：表示潛在危險情況，若未能避免，可能導致輕微或中度傷害。

注意：表示一種非人身傷害的行為，若未能避免，可能導致財產損失。



表示觸電危險。



表示火災危險。



警告：為了降低受傷的風險，必須仔細閱讀使用手冊。

電動工具一般安全警告



警告！請閱讀所有安全警告及指示。不遵循這些警告和指示可能會導致觸電、火災及/或嚴重傷害。

**請妥善保存所有的警告和使用指示
以備將來查閱**

警告中的名詞「電動工具」是指電源驅動（插電）電動工具，或者電池驅動（充電）電動工具。

1) 工作場地安全

- 保持工作場地清潔和明亮。混亂或黑暗的場地會引發事故。
- 不要在易爆環境，如有易燃液體、氣體或塵埃的環境中操作電動工具。電動工具產生的火花會點燃塵埃或氣體。
- 請等待兒童和旁觀者離開之後才操縱電動工具。分心會導致您疏於控制。

2) 電力安全

- 電動工具插頭必須與插座相符。切勿以任何方式改裝插頭。需接地的電動工具不能使用任何配接器插頭。未經改裝的插頭和相符的插座可以減少觸電危險。
- 避免人體接觸接地表面，如管道、散熱片、爐灶和冰箱。若您的身體接地，會增加觸電危險。
- 不得將電動工具暴露在雨中或潮濕環境中。水進入電動工具會增加觸電危險。
- 請勿濫用電線。切勿使用電線來搬運、拉動電動工具或拔出插頭。讓電線遠離熱、油、銳邊或活動部件。受損或纏繞的電線會增加觸電危險。
- 若要在戶外使用電動工具，請使用適合戶外使用的延長電線。使用適合戶外使用的電線可減少觸電危險。
- 若必須在潮濕場合使用電動工具，請使用漏電保護器（RCD）。使用 RCD 可降低觸電危險。

3) 人身安全

- 保持警覺：在操作電動工具時，請留意所執行的操作並按照一般的流程執行。切勿在疲倦，或受到藥物、酒精或治療的影響下操作電動工具。操作電動工具期間注意力分散會導致嚴重人身傷害。
- 使用個人防護裝置。始終佩戴護目鏡。防護裝置，例如在適當條件下使用的防塵面具、防滑安全鞋、安全帽或聽力保護等裝置可減少人身傷害。
- 避免意外啓動。連接電源和/或電池組、檢取或搬運電動工具之前，請確定開關處於關閉（OFF）位置。搬運電動工具時若將手指放在開關上，或是在接通開關電源時插入插頭都會引發危險。
- 接通電動工具之前，請卸下所有的調整鑰匙或扳手。遺留在電動工具旋轉部件上的扳手或鑰匙會導致人身傷害。

- e) 不要過度伸張雙手。時刻注意腳下和身體的平衡。如此即可在發生意外的情況下更好地控制電動工具。
- f) 適當穿著。不要穿寬鬆衣服或佩戴飾品。讓您的頭髮、衣服和手套遠離活動部件。寬鬆衣服、佩飾或長髮可能會捲入活動部件。
- g) 若配備用於連接排屑裝置、集塵設備的裝置，請確定正確連接和使用這些裝置。使用集塵設備可減少與塵埃有關的危險。

4) 電動工具的使用與注意事項

- a) 不要超負荷使用電動工具。根據您的用途使用適當的電動工具。使用適當的電動工具在其設計可負荷的應用內，會讓您更有效、更安全地執行工作。
- b) 若開關不能開啓或關閉電源，請勿使用該電動工具。不能用開關來控制的電動工具將存在危險，因此必須進行修理。
- c) 在執行任何調整、更換配件或儲存工具之前，必須從電源上拔掉插頭及/或卸下電池組。這類防護性安全措施可降低電動工具意外啓動的風險。
- d) 將閒置的電動工具儲存在兒童無法接觸的地方，並且不要讓不熟悉電動工具或對這些使用指示不瞭解的人員操作電動工具。電動工具在未經培訓的使用者手中會發生危險。
- e) 維護電動工具。檢查活動部件是否對準或卡住、破損情況以及是否存在影響電動工具運行的其他情況。若有損毀，必須在使用之前修理電動工具。許多事故都是由於欠缺維護的電動工具所導致。
- f) 保持切割工具鋒利和清潔。妥善維護、切削鋒利的切割工具不會輕易卡住並可更輕鬆控制。
- g) 遵循使用指示以及工作條件和所要執行的工作使用電動工具、配件和工具刀頭等。不按照設計用途使用電動工具會導致危險。

5) 檢修

- a) 本電動工具必須由合格的維修人員並只採用相同的替換部件來執行檢修。這樣將確保電動工具的安全。

軍刀鋸的其他安全指示

- 若在執行操作時切割配件可能會接觸隱藏的電線或它本身的電線，則只能從絕緣手柄表面握住電動工具。若切割配件接觸到「帶電」導線，電動工具金屬部件表面就會「帶電」，從而導致操作人員觸電。
- 任何時候都須佩戴防護面罩。暴露於灰塵顆粒中可能導致呼吸困難及人身傷害。

- 切勿在鋸片卡在工件裡或接觸其他材料時開啓工具。
- 雙手遠離活動部件。雙手切勿靠近切割區域。
- 在頭頂上方切割時須倍加小心，要特別留意頭頂上方視野無法看到的電線。提前預判下落碎條和碎片的路徑。
- 切勿長時間操作此工具。本工具運行引起的震動可能對手指、手部和手臂造成永久傷害。使用手套加強保護，不時停下休息，並限制每天使用的時間。

開啓和關閉

- 關閉電鋸之後，切勿嘗試使用手指停止鋸片。
- 關閉電鋸之前切勿將電鋸放到桌子或工作台上。關閉電鋸之後鋸片將繼續運動一會兒。

鋸切時

- 在使用切割木材的專用鋸片時，請在開始工作前清除工件上的所有釘子和金屬物體。
- 在盡可能的情况下，使用夾具和老虎鉗牢固鎖緊工件。
- 切勿嘗試鋸切極小的工件。
- 請勿將身體過份往前彎曲。確保穩固站立，尤其是站在腳手架或梯子上時。
- 務必雙手握持電鋸。
- 切割曲面或開口時，請使用適合的鋸片。

檢查及更換鋸片

- 只可使用符合這些操作指示裡所列規格的鋸片。
- 只可使用工作狀況非常良好的鋒利鋸片；破裂或彎曲的鋸片應被棄置並立即予以更換。
- 請確保鋸片固定牢固。

剩餘風險

即使應用有關的安全規定並採用安全設備，仍然還有一些無法避免的剩餘風險。包括：

- 聽力受損。
- 飛散的碎片引起的人身傷害風險。
- 配件在操作時變熱引起的燒傷風險。
- 長時間使用引起的人身傷害風險。

工具上的標誌

工具上可能會附帶下列圖示：



使用前請閱讀使用手冊。

日期代碼位置 (圖 1)

日期代碼 (f) 也包括製造年份，已經印刷在工具外殼上。

範例：

2012 XX XX

製造年份

套裝內容

本套裝包括：

軍刀鋸 1 把

工具箱 1 個

使用手冊 1 本

- 檢查工具、部件或配件是否在運輸過程中損壞。
- 操作前，請抽空徹底閱讀和掌握本說明書中的內容。

說明 (圖 1)



警告：切勿改裝本電動工具或其任何部件，否則可能導致損壞或人身傷害。

- 觸發開關
- 主手柄
- 鋸片夾具釋放桿
- 導板
- 副握柄

設計用途

您的 1050W 軍刀鋸設計用於專業切割木材、金屬、塑料和石膏板。

切勿在潮濕有水或存有易燃液體或氣體的環境下使用工具。

此往復鋸是專業的電動工具。切勿讓兒童接觸此工具。缺乏經驗的操作人員需要在監督下使用本工具。

- 體力、感覺或智力不足，以及缺乏經驗、知識或技能的人員（包括兒童）不適合使用本產品，除非一旁有能為他們的安全負責的監督人員。切勿讓兒童單獨接觸本工具。

電器安全



本工具採用雙重絕緣，因此無需接地線。請務必檢查電源電壓是否與銘牌一致。

若電源線損毀，必須讓製造廠商或授權的 Black & Decker 服務中心更換以避免發生危險。

使用延長電纜

若需要使用延長電纜，請使用適合本工具電源輸入使用的認證 3 芯延長電纜（參閱技術資料）。導體的最小尺寸為 1.5 mm²；最大長度為 30 m。

使用電纜捲筒時，每次必須把電纜完全展開。

裝配與調整



警告：若要降低傷害危險，請在安裝和移除配件前、調整或變更設定前或進行修理時關閉工具並斷開電源。請確保觸發開關處於關閉 (OFF) 位置。意外啟動工具可能會造成傷害。

變速觸發開關 (圖 1)



警告：此工具不提供將開關鎖定在開啓 (ON) 位置的功能，請切勿透過任何其他方式來鎖定開啓 (ON)。

變速觸發開關 (a) 可讓您獲得更多靈活性。您愈用力擠壓觸發器，電鋸便會以愈快的速度運轉。



小心：只建議在開始切割作業時使用很低的速度。以很低的速長時間使用可能會損壞電鋸。

操作

使用說明



警告：請時刻遵守安全指示和適用的規則。



警告：若要降低傷害危險，請在安裝和移除配件前、調整或變更設定前或進行修理時關閉工具並斷開電源。請確保觸發開關處於關閉 (OFF) 位置。意外啟動工具可能會造成傷害。

鋸片安裝和取出 (圖 2-4、7)



警告：為了減低造成嚴重人身傷害的風險，在進行任何調整或卸下或安裝附件或配件之前，切記關閉工具並斷開工具電源。意外啟動工具可能會造成傷害。

備有不同長度的鋸片供使用。請選用適合作業的鋸片。鋸片應長於 89 mm (3-1/2")，並應超出導板長度和切割工件的厚度。請勿在此工具上使用線鋸鋸片。



警告：切割危險。切割時若鋸片長度未能超出導板長度和切割工件的厚度，可能發生鋸片斷裂 (圖 2)。這將會增加人身傷害的風險，並導致導板和工件損壞。

將鋸片安裝到電鋸中

1. 拉起鋸片夾具釋放桿 (c) (圖 3)。
2. 將鋸片柄從鋸片夾具前端插入。
3. 按下鋸片夾具釋放桿。

注意：如圖 4 所示，鋸片可安裝至 4 個不同位置。如圖 7 所示，鋸片可以鋸齒朝上反裝，方便進行齊平切割。

將鋸片從電鋸裡取出



小心：燒傷危險。切勿在使用工具後馬上觸摸鋸片。接觸鋸片可能會導致人身傷害。

1. 打開鋸片夾具釋放桿。
2. 取出鋸片。

正確的雙手放置位置 (圖 1、5-9)



警告：為降低遭受嚴重人身傷害的風險，務必如圖示那樣正確放置雙手。



警告：為降低遭受嚴重人身傷害的風險，預期有突然反應時務必握緊。

正確的雙手放置位置是將一隻手放在主手柄 (b) 上，另一隻手握住手柄 (e)。

使用鋸片進行水平切割 (圖 5)

您的 DWE357 工具備有一個水平鋸片夾具。以水平方向安裝鋸片讓鋸片能夠在空隙受限的地板、牆壁和天花板上進行極其靠近的切割。請確保導板已緊壓框架，以避免發生反衝。



小心：切割危險。為防止失控，操作工具時務必要使用導板。

DWE357 工具備有一個不可調整的固定導板。

切割 (圖 5-9)



警告：始終佩戴護目鏡。所有用戶和旁觀者必須配戴符合 ANSI Z87.1 標準的護目鏡。



警告：在朝向操作人員進行切割時須倍加小心。切割時務必始終使用雙手握緊電鋸。

在切割任何種類的材料前，請確保將其穩固地固定或夾緊，防止滑動。將鋸片輕輕抵住待切割的工件，開啓電鋸的電動機，待其達到最大速度後再施加壓力。任何時候只要有可能，電鋸導板必須緊緊抵住正被切割的材料 (圖 6)。這樣可以防止電鋸跳起或震動，最大程度降低鋸片斷裂風險。任何對

鋸片施壓的切割方式，比如變向或滾動切割，都將增大震動、反衝和鋸片斷裂的可能性。



警告：在頭頂上方切割時須倍加小心，要特別留意頭頂上方視野無法看到的電線。提前預判下落碎條和碎片的路徑。



警告：在進行盲切或切入式切割前須檢查工作場地是否存在隱藏的氣管、水管或電線。否則可能導致爆炸、財產損失、觸電和/或嚴重的人身傷害。

齊平切割 (圖 7)

電鋸電動機外殼和心軸外殼設計緊湊，可以對地板、牆角和其他難以切割的區域進行極其靠近的切割。

開口/切入式切割 — 僅限木材 (圖 8)

進行開口切割的第一步就是測量待切割的表面區域，並使用鉛筆、粉筆或畫線器標註清楚。請選用適合作業的鋸片。鋸片應長於 89 mm (3-1/2")，並應超出導板長度 and 切割工件的厚度。將鋸片插入鋸片夾具。

接著，將電鋸往後傾斜，直到導板後緣停留在作業表面，鋸片沒有接觸到作業表面 (位置 1、圖 8)。然後開啓電動機，等待電鋸加速。雙手緊握電鋸，讓電鋸手柄小心翼翼地緩慢向上轉動，保持導板底部與工件緊密接觸 (位置 2、圖 8)。鋸片將開始深入材料中。繼續開口切割前請務必確保鋸片完全穿透材料。

注意：在視野受限、無法看見鋸片的區域，請利用電鋸導板邊緣做為參考。任何用於指定切割的線條標注都應要延伸至將要進行的切割的邊緣之外。

金屬切割 (圖 9)

視乎所用鋸片和待切割金屬的類型，您的電鋸具備不同的金屬切割能力。請使用更精製的鋸片切割含鐵金屬材料，並使用粗製鋸片切割有色金屬材料。切割薄尺寸金屬板材時最好是在板材兩面都夾上木材。這將確保精確切割，沒有過多震動或金屬撕裂。切記不要對切割鋸片過分用力，否則將縮短鋸片壽命並導致鋸片斷裂，此後果代價將非常昂貴。

注意：在您切割金屬時，為更容易操作並延長鋸片壽命，通常建議您沿切割線提前塗上一層油膜或其他潤滑劑。

維護

DEWALT 電動工具採用卓越的設計，能夠長時間使用，並且只需最少的維護。若要持續獲得滿意的操作效果，需進行正確的工具維護和定期的清潔。



警告：若要降低傷害危險，請在安裝和移除配件前、調整或變更設定前或進行修理時關閉工具並斷開電源。請確保觸發開關處於關閉 (OFF) 位置。意外啟動工具可能會造成傷害。



潤滑

本電動工具毋需額外潤滑。



清潔



警告：一旦通風口及其周圍積聚了可見的塵埃，請立即使用乾燥的壓縮空氣吹掉主機外殼內的塵埃和灰塵。執行此步驟時，請佩戴經認可的護目鏡和經認可的防塵面具。



警告：切勿使用溶劑或其他刺激性化學品來清潔工具的非金屬部件。這些化學品可能會削弱部件中所使用的材料。只能使用抹布蘸中性肥皂水進行清潔。不要讓任何液體進入工具；不要讓工具的任何部分浸入液體中。

選購配件



警告：由於非 DEWALT 所提供的配件未在本產品上進行過使用測試，在本產品上使用這些配件可能會導致危險。為降低傷害危險，在本產品上只應使用 DEWALT 所推薦的配件。

如需進一步瞭解適用配件的相關資訊，請洽詢當地經銷商。

保護環境



個別收集。本產品必須與一般家居廢物分開處置。

若您發現您的 DEWALT 產品需要更換，或對您已無使用價值，請勿將其與家居廢物一起丟棄。務必將本產品送往個別收集處。



個別收集用過的產品和包裝允許材料再循環利用。重新使用循環利用的材料有助於防止環境污染，並減少原始材料的需求。

當地法規可能要求由市政廢物回收點，或由向您出售新產品的經銷商來提供從家庭中個別收集電子產品的服務。

DEWALT 在其產品使用壽命結束時提供 DEWALT 產品收集和回收利用的便利。若要享受此項服務，請將產品送往任一授權維修中心，由其代表我們進行收集。

請根據本手冊上所提供地址與當地 DEWALT 辦事處聯絡，查詢離您最近的授權維修中心所在位置。亦可瀏覽網站查詢 DEWALT 授權維修中心清單和售後服務及聯絡資料之詳細資訊，網址是：

www.2helpU.com。

進口商：永安實業股份有限公司

地址：新北市三重區中山路286號

電話：02-29994633

소형 가변 속도 컷쏘

DWE357

축하합니다!

DEWALT 공구를 선택해 주셔서 감사합니다.
DEWALT는 오랜 경험과 제품 개발 및 혁신을 통해 전문 전동 공구 사용자들이 인정하는 기업으로 자리잡아 왔습니다.

기술 데이터

		DWE357
전압	V	220
유형		1
전원 출력	W	1050
무부하회전수	분 ⁻¹	0-2800
스트로크 길이	mm	29
나무/금속 프로필/ 플라스틱 튜브에서의 절삭력	mm	265/130/160
무게	kg	3.2

정의: 안전 지침

다음 정의는 각 경고 문구의 심각도를 설명합니다. 사용 설명서를 읽고 다음 기호들에 유의하십시오.



위험: 절박한 위험 상태를 나타내며, 방지하지 않으면 사망 또는 심각한 부상을 초래합니다.



경고: 잠재적 위험 상태를 나타내며, 방지하지 않으면 사망 또는 심각한 부상을 초래할 수 있습니다.



주의: 잠재적 위험 상태를 나타내며, 방지하지 않으면 경미한 부상을 초래할 수 있습니다.

참고: 신체 부상을 초래하지 않는 행위를 나타내며, 방지하지 않으면 재산상의 손해가 발생할 수 있습니다.



감전 위험을 나타냅니다.



화재 위험을 나타냅니다.



경고: 부상 위험을 줄이려면 사용 설명서를 숙지하십시오.

전동 공구에 관한 일반 안전 경고



경고! 모든 안전 경고와 모든 지시사항을 읽으십시오. 경고와 지시 사항을 준수하지 않으면 감전, 화재 및/또는 심각한 부상을 초래할 수 있습니다.

항후 참고할 수 있도록 모든 경고 및 지시 사항을 보관해두십시오.

경고에서 사용된 "전동 공구"라는 용어는 주 공급 전원에 의해 전기가 공급되는(유선) 전동 공구 또는 충전식(무선) 전동 공구를 의미합니다.

1) 작업장 안전

- 작업 영역을 철저히 하고 조명을 밝게 유지하십시오. 혼잡하거나 어두운 작업장에서는 사고가 발생하기 쉽습니다.
- 가연성 액체, 가스 또는 먼지 등이 있는 폭발성 대기에서 전동 공구를 사용하지 마십시오. 전동 공구에서 먼지나 가스를 발하시킬 수 있는 불꽃이 될 수 있습니다.
- 전동 공구로 작업하는 동안에는 어린이와 주변 사람들이 작업 영역에 가까이 들어오지 못하도록 하십시오. 주변이 산만해져 통제력을 잃을 수 있습니다.

2) 전기 안전

- 전동 공구의 플러그는 콘센트와 형식이 일치해야 합니다. 플러그를 어떤 방식으로든 절대 개조하지 마십시오. 접지된(지면 접지) 전동 공구에 어떤 어댑터 플러그도 사용하지 마십시오. 개조되지 않은 플러그 및 형식이 일치하는 콘센트를 사용하면 감전 위험이 줄어듭니다.
- 파이프, 라디에이터, 렌지 및 냉장고 등과 같이 접지된 표면에 신체가 접촉하지 않도록 하십시오. 신체가 접지되어 있으면 감전 위험이 높아집니다.
- 전동 공구를 비 또는 습한 환경에 노출하지 않도록 주의하십시오. 전동 공구에 물이 들어가면 감전 위험이 높아집니다.
- 코드를 함부로 다루지 마십시오. 코드를 사용하여 전동 공구를 운반하거나 잡아당기거나 플러그를 뽑지 마십시오. 열, 오일, 날카로운 모서리 또는 움직임은 부품에서 멀리 떨어진 장소에 코드를 보관하십시오. 코드가 손상되거나 얽혀 있으면 감전 위험이 높아집니다.
- 전동 공구를 실외에서 사용할 때는 실외 사용에 적합한 연장 코드를 사용하십시오.

실외 사용에 적합한 코드를 사용하면 감전 위험이 줄어듭니다.

- f) **어쩔 수 없이 습한 장소에서 전동 공구를 사용해야 하는 경우에는 누전 차단기(RCD)로 보호된 전원 공급 장치를 사용하십시오.** RCD(차단기)를 사용하면 감전 위험이 줄어듭니다.

3) 신체 안전

- a) **전동 공구로 작업할 때는 방심하지 말고 작업에 주의하면서 상식을 따르십시오.** 피곤한 상태이거나 약물, 술, 치료제를 복용한 상태에서는 전동 공구를 사용하지 마십시오. 전동 공구를 사용하는 중에 주의력을 잃어 순간적으로 부상을 당할 수 있습니다.
- b) **신체 보호 장비를 착용하십시오.** 항상 보안경을 착용하십시오. 적합한 상황에서 방진 마스크, 미끄럼 방지 안전화, 안전모 또는 청력 보호 기구 등의 보호 장비를 사용하면 신체 부상 위험이 줄어듭니다.
- c) **의도하지 않은 장비 가동 방지.** 전원 및/또는 배터리 팩에 연결한 상태로 공구 선택 또는 운반할 때는 사전에 스위치가 꺼짐 위치에 있는지 반드시 확인하십시오. 스위치가 켜짐 위치에 있는 상태에서 스위치가 운반하거나 전동 공구에 전원을 공급하면 사고가 발생합니다.
- d) **전동 공구를 켜기 전에 모든 조정 키 또는 렌치를 제거하십시오.** 전동 공구의 회전 부품에 렌치나 키가 부착되어 있으면 부상을 당할 수 있습니다.
- e) **무리하게 팔을 뻗지 마십시오.** 항상 올바른 자세로 서서 균형을 유지하십시오. 그러면 예기치 않은 상황에서 전동 공구에 대한 제어력이 향상됩니다.
- f) **적절한 작업복을 착용합니다.** 헐렁한 옷이나 장신구를 착용하지 마십시오. 머리카락, 옷 및 장갑이 움직이는 부품에 닿지 않도록 유의하십시오. 헐렁한 옷, 장신구 또는 긴 머리카락이 움직이는 부품에 걸 수 있습니다.
- g) **먼지 배출 및 집진 시설 연결을 위한 장치가 제공된 경우, 이들 장치가 연결되어 적절히 사용되고 있는지 반드시 확인하십시오.** 집진 장치를 사용하면 먼지와 관련된 위험을 줄일 수 있습니다.

4) 전동 공구 사용 및 관리

- a) **전동 공구에 무리한 힘을 가하지 마십시오.** 해당 용도에 맞는 올바른 전동 공구를 사용하십시오. 올바른 전동 공구를 사용해야 설계된 속도로 작업을 더욱 안전하고 정확하게 수행할 수 있습니다.
- b) **켜지거나 꺼지지 않는 경우 전동 공구를 사용하지 마십시오.** 스위치로 제어되지

않는 전동 공구는 위험하며 수리해야 합니다.

- c) **전동 공구를 조정하거나 액세서리를 변경하거나 보관하기 전에 전원 및/또는 배터리 팩에서 플러그를 뽑으십시오.** 이러한 예방적 안전 조치를 따라야 전동 공구가 갑자기 작동할 위험이 줄어듭니다.
- d) **사용하지 않는 전동 공구는 어린이의 손이 닿지 않는 곳에 보관하고, 전동 공구나 본 지시 사항에 익숙하지 않은 사람이 전동 공구를 절대 사용하지 못하게 하십시오.** 전동 공구는 훈련을 받지 않은 사용자가 다루면 위험합니다.
- e) **전동 공구 유지 보수.** 움직이는 부품의 잘못된 정렬이나 바인딩, 부품 파손 및 기타 전동 공구의 작동에 영향을 미칠 수 있는 기타 모든 상태를 확인하십시오. 손상된 부분이 있는 경우 사용하기 전에 전동 공구를 수리하십시오. 많은 사고는 전동 공구를 제대로 유지 보수하지 않아 발생합니다.
- f) **절단 공구를 예리하고 깨끗한 상태로 유지하십시오.** 절단식 가장자리를 예리하게 잘 유지하면 절단기를 사용할 때 바인딩이 적고 다루기가 용이합니다.
- g) **작업 환경과 수행할 작업을 고려하여, 본 지시 사항에 따라 전동 공구, 액세서리 및 톨 비트 등을 사용하십시오.** 본 사용 설명서의 내용과 다른 용도로 전동 공구를 사용하면 위험한 상황이 발생할 수 있습니다.

5) 정비

- a) **자격을 갖춘 기술자가 동일 교체 부품을 사용하여 정비 작업을 수행해야 합니다.** 그래야 전동 공구의 안전이 보장됩니다.

컷쏘 관련 추가 안전 지시 사항

- **절삭 액세서리가 숨겨진 배선 또는 자체 코드에 접촉할 수 있는 작업을 수행할 때는 절연된 손잡이 표면만 닿도록 하여 전동 공구를 잡으십시오.** "전류가 흐르는" 전선에 접촉된 절삭 액세서리는 전동 공구의 노출된 금속 부품을 "전류가 흐르는" 상태로 만들어 작업자를 감전시킬 수 있습니다.
- **항상 방진 마스크를 착용하십시오.** 먼지에 노출될 경우 호흡기관 및 부상을 유발할 수 있습니다.
- **톱날이 가공물에 걸렸거나 재료에 접촉된 경우에는 절대 공구 전원을 켜지 마십시오.**
- **손은 작동 부품에서 멀리 두십시오.** 절대 절삭할 영역 가까이에 손을 두지 마십시오.
- **높은 곳을 자를 때는 신중히 사용하고 보이지 않는 머리 위 전선에 특히 주의하십시오.** 나뭇가지나 파편의 추락 경로를 미리 예측해 두십시오.

- **본 공구를 장시간 사용하지 마십시오.** 본 공구가 작동할 때 생기는 진동으로 손가락, 손 및 팔이 영구적인 부상을 입을 수 있습니다. 장갑을 착용해서 충격을 흡수하고, 자주 휴식을 취하고, 일일 사용 시간을 제한해야 합니다.



사용 전에 사용 설명서의 내용을 숙지하십시오.

스위치 켜짐/꺼짐

- 스위치를 끈 뒤, 절대 손가락으로 톱날을 눌러 멈추려 하지 마십시오.
- 스위치를 끄지 않은 채 테이블이나 작업대에 톱을 올려 놓지 마십시오. 공구의 스위치를 끈 뒤에도 잠깐 동안 톱날이 계속 작동합니다.

톱을 사용할 때

- 목재 절삭 전용으로 설계된 톱날을 사용할 때는 작업을 시작하기 전에 가공물에서 못과 금속 물체를 모두 제거하십시오.
- 클램프나 바이스가 있으면 항상 이를 사용해 가공물을 견고하게 고정하십시오.
- 너무 작은 가공물을 톱으로 절삭하려 하지 마십시오.
- 앞으로 너무 많이 숙이지 마십시오. 특히 발판 및 사다리 위에서는 반드시 안정적인 자세를 유지하십시오.
- 톱은 항상 두 손으로 드십시오.
- 곡선 및 포켓 절단을 위해서는 알맞은 톱날을 사용하십시오.

톱날 검사 및 교체

- 이 작동 지침에 포함되어 있는 사양에 맞는 톱날만 사용하십시오.
- 완벽한 작업 조건에서 날이 선 톱날만 사용해야 합니다. 금이 가거나 휘어진 톱날은 즉시 폐기하고 교체해야 합니다.
- 톱날이 안정적으로 고정되어 있는지 확인하십시오.

기타 발생 가능한 위험

관련된 안전 규정을 준수하고 안전 장치를 사용한다고 해도 특정한 위험은 피할 수 없습니다. 이러한 위험은 다음과 같습니다.

- 청력 손상.
- 파편 날림으로 인한 신체 부상 위험.
- 작업 중 뜨거워지는 액세서리로 인한 화상 위험.
- 장시간 사용으로 인한 신체 부상의 위험.

공구에 표시된 마크

공구에는 다음과 같은 그림이 있습니다.

날짜 코드 위치(그림 1)

날짜 코드(①)에는 제조년도가 포함되어 케이스에 인쇄되어 있습니다.

예:

2012 XX XX

제조년도

포장 내용물

포장에는 다음 내용물이 들어 있습니다.

컷쏘 1개

공구박스 1개

사용 설명서 1개

- 운반 중에 발생할 수 있는 공구, 부품 또는 액세서리의 손상 여부를 확인하십시오.
- 작동 전에 시간을 내어 본 사용 설명서를 읽고 숙지하십시오.

설명 (그림 1)



경고: 전동 공구 또는 전동 공구의 어떤 부품도 절대 개조하지 마십시오. 제품이 파손되거나 신체 부상을 당할 수 있습니다.

- 트리거 스위치
- 주 핸들
- 날 클램프 릴리즈 레버
- 슈
- 핸드 그림

용도

DWE357 소형 가변 속도 컷쏘는 목재, 금속, 플라스틱 및 석고 보드를 전문적으로 절단할 수 있도록 제작되었습니다.

습한 환경이나 가연성 액체 또는 가스가 있는 장소에서 사용하지 **마십시오**.

이 컷쏘는 전문 전동 공구입니다. 어린이가 이 공구를 만지지 **않도록 하십시오**. 경험이 없는 작업자가 이 공구를 사용할 때는 감독자의 지도가 필요합니다.

- 본 제품은 안전 책임을 맡고 있는 사람이 감독을 하고 있지 않는 한 경험, 지식 또는 기술이 부족하고 신체적, 감각적 또는 정신적 능력이 미약한 사람(어린이 포함)이 사용하도록 고안된 것이 아닙니다. 이 제품과 함께 어린이만 혼자 두어서는 안됩니다.

전기 안전



이 공구는 이중으로 절연되어 있으므로 접지선이 필요 없습니다. 전원이 전동기 내임 플레이트에 기재된 전압과 일치하는지 항상 확인하십시오.

전원 코드가 손상된 경우 사고가 발생하지 않도록 제조업체 또는 공인 디월트 서비스 센터에서 교체해야 합니다.

연장 케이블 이용

연장 케이블이 필요할 경우 이 공구의 소비전력에 맞는 승인된 3 코어 연장 케이블을 사용하십시오 (기술 자료 참조). 최소 도체 크기는 1.5 mm², 최대 길이는 30 m입니다.

케이블 릴을 사용할 때는 항상 케이블을 완전히 푸십시오.

조립 및 조정



경고: 액세서리를 설치 및 제거하기 전, 구성 상태를 조정하거나 변경하기 전, 또는 수리 시 부상의 위험을 줄이려면 장치를 끄고 전원으로부터 연결을 차단하십시오. 트리거 스위치가 꺼짐 위치에 있는지 반드시 확인하십시오. 공구가 갑자기 작동하여 부상을 당할 수 있습니다.

가변 속도 트리거 스위치 (그림 1)



경고: 이 공구는 ON (켜짐) 위치에서 스위치를 잠그는 공급 기능이 없으므로 다른 방법으로 잠그면 안됩니다.

가변 속도 트리거 스위치(a)를 사용하면 융통성을 높일 수 있습니다. 트리거를 강하게 당길수록 톱의 작동 속도는 빨라집니다.



주의: 초저속 사용은 절단을 시작할 때에 한해 권장됩니다. 초저속에서 오랜 시간 사용할 경우 톱이 손상될 수 있습니다.

작동

사용 지침



경고: 안전 지시 사항과 해당 규정을 항상 준수하십시오.



경고: 액세서리를 설치 및 제거하기 전, 구성 상태를 조정하거나 변경하기 전, 또는 수리 시 부상의 위험을 줄이려면 장치를 끄고 전원으로부터

연결을 차단하십시오. 트리거 스위치가 꺼짐 위치에 있는지 반드시 확인하십시오. 공구가 갑자기 작동하여 부상을 당할 수 있습니다.

톱날 설치 및 제거 (그림 2, -4, 7)



경고: 심각한 신체 부상의 위험을 줄이려면 부착물 또는 액세서리를 조정하거나 제거/설치하기 전에 공구를 끄고 전원에서 공구 플러그를 뽑으십시오. 공구가 갑자기 작동하여 부상을 당할 수 있습니다.

다양한 길이의 톱날을 사용할 수 있습니다. 해당 용도에 맞는 톱날을 사용하십시오. 톱날은 89 mm (3-1/2")보다 길어야 하며 절단 중인 가공물의 두께와 슈보다 더 길어야 합니다. 이 공구에 직소 톱날을 사용하지 마십시오.



경고: 절삭 중의 위험. 톱날이 절단 중인 가공물의 두께와 슈보다 더 길지 않으면 파손될 수 있습니다(그림 2). 부상 위험이 커질뿐 아니라 슈와 가공물이 손상될 수 있습니다.

톱날 설치 방법

1. 톱날 클램프 릴리스 레버(c)를 위로 당깁니다 (그림 3).
2. 앞쪽에서 톱날 상크를 끼웁니다.
3. 톱날 클램프 릴리스 레버를 아랫쪽으로 누릅니다.

참고: 톱날은 그림 4에서와 같이 네 방향으로 설치할 수 있습니다. 그림 7에서와 같이 수평 절삭 지원을 위해 톱날을 뒤집어 설치할 수 있습니다.

톱날 분리 방법



주의: 화상 위험. 사용한 직후에는 톱날을 만지지 마십시오. 톱날을 만지면 부상당할 수 있습니다.

1. 톱날 클램프 릴리스 레버를 위로 당겨 엽니다.
2. 날을 제거하십시오.

올바른 손의 위치 (그림 1, 5-9)



경고: 심각한 신체 부상의 위험을 줄이려면 항상 그림과 같이 올바르게 손을 위치하십시오.



경고: 심각한 부상의 위험을 줄이려면 항상 급작스러운 반동을 예상하고 확실하게 잡으십시오.

손 위치는 한 손을 주 핸들(b) 위에 놓고 다른 손을 핸드 그림(e) 위에 놓는 것이 바람직합니다.

톱날을 수평으로 해 절삭하기 (그림 5)

DWE357에는 수평 톱날 클램프가 달려 있습니다. 톱날을 수평으로 설치하면 작업할 수 있는 공간이 좁은 바닥, 벽면 또는 천정에 아주 가까이에서 절삭하는 일이 가능해집니다. 반동을 피할 수 있도록 슈를 프레임에 대고 누르십시오.

주의



주의: 절삭 중의 위험. 통제불능 상황을 예방하기 위해 절대 슈 없이 공구를 사용하지 마십시오.

DWE357에는 조절할 수 없는 고정 슈가 달려 있습니다.

절삭 (그림 5-9)



경고: 항상 보안경을 착용하십시오. 모든 사용자와 곁에 있는 사람들은 ANSI Z87.1을 준수하는 보안경을 착용해야 합니다.



경고: 작업자 방향으로 절삭할 때는 각별히 주의하십시오. 절삭 중에 톱은 항상 두 손으로 꼭 잡으십시오.

절삭 대상 소재가 어떤 종류이든 절삭을 시작하기 전에 반드시 앵커나 클램프로 단단히 고정하십시오. 절단할 가공물에 대고 가볍게 톱날을 누르고 톱 모터의 전원을 켜 뒤 압력을 가하기 전에 최대 속도에 달할 때까지 기다리십시오. 언제든지 가능하면 톱 슈를 절단 중인 소재에 견고히 고정해야 합니다(그림 6). 이렇게 하면 톱이 튀어 오르거나 흔들리는 것을 막고 톱날 파손을 최소화할 수 있습니다. 앵글 절단 또는 스크를 절단과 같이 톱날에 압력을 주는 절삭 작업에서는 진동, 반동 및 톱날 파손 가능성이 높아집니다.



경고: 높은 곳을 자를 때는 신중히 사용하고 보이지 않는 머리 위의 전선에 특히 주의하십시오. 나뭇가지나 파편의 추락 경로를 미리 예측해 두십시오.



경고: 블라인드 절단이나 플런지 절단을 하기 전에 숨어 있는 가스관, 수도관 또는 전기 배선이 있는지 작업 현장을 검사하십시오. 그렇지 않을 경우 폭발, 재산 상의 손해, 감전 또는 심각한 부상을 초래할 수 있습니다.

수평 절삭 (그림 7)

톱 모터 하우징 및 스피들 하우징의 작은 디자인은 바닥, 모서리 및 까다로운 기타 작업 영역에서의 초근접 절단을 가능케 합니다.

포켓/플런지 절단 - 목재에만 적용됨(그림 8)

포켓 절단의 첫 번째 단계는 절단할 표면을 측정하고 연필, 분필 또는 먹줄로 선명하게 표시하는 것입니다. 해당 용도에 맞는 톱날을 사용하십시오. 톱날은 89 mm (3-1/2")보다 길어야 하며 절단 중인 가공물의 두께와 슈보다 더 길어야 합니다. 톱날 클램프에 톱날을 끼우십시오.

다음으로 슈의 뒤쪽 가장자리가 작업면에 닿고 톱날이 작업면 위에 올 때까지 톱을 뒤쪽으로 기울이십시오(위치 1, 그림 8). 이제 모터 스위치를 켜고 톱의 작동 속도를 높이십시오. 양 손으로 톱을 견고하게 쥐고 톱의 핸들을 천천히 조금씩 위쪽으로 들어 올리되 슈의 바닥은 가공물에 닿게 하십시오(위치 2, 그림 8). 톱날이 가공물을 파고 들기 시작합니다. 항상 톱날이 소재를 완전히 관통하도록 한 뒤 포켓 절단을 계속하십시오.

참고: 톱날이 잘 보이지 않는 부분에서는 톱의 슈 가장자리를 가이드로 삼으십시오. 수행할 모든 절단을 위한 선은 절단선 끝 이상까지 이어져야 합니다.

금속 절삭 (그림 9)

사용하는 톱날 및 절단할 금속의 종류에 따라 톱의 금속 절삭 능력은 달라집니다. 철금속용으로는 톱니가 아주 작은 톱날을, 비철금속용으로는 톱니가 좀 더 굵은 톱날을 사용하십시오. 얇은 금속판에서는 금속판의 양면에 목재를 덧대는 것이 가장 좋습니다. 이렇게 하면 금속이 과도하게 진동하거나 찢어지는 일 없이 깔끔하게 절단할 수 있습니다. 항상 절삭날에 힘을 주지 않도록 주의하십시오. 힘을 줄 경우 톱날 수명이 감소하고 파손 위험이 있습니다.

참고: 금속을 절단할 때는 손쉬운 작업과 톱날 수명 연장을 위해 절삭할 선을 따라 오일이나 기타 윤활제를 얇게 바르는 것이 좋습니다.

유지 보수

DEWALT 전동 공구는 최소한의 유지 보수로 장기간에 걸쳐 작업이 가능하도록 설계되어 있습니다. 만족스러운 연속 작동은 적절한 공구 관리와 정기적인 청소에 따라 그 성능이 달라질 수 있습니다.



경고: 액세서리를 설치 및 제거하기 전, 설정 상태를 조정하거나 변경하기 전, 또는 수리 시 부상의 위험을 줄이려면 장치를 끄고

전원으로부터의 연결을 차단하십시오.
트리거 스위치가 꺼짐 위치에 있는지 반드시 확인하십시오. 공구가 갑자기 작동하여 부상을 당할 수 있습니다.



사용하던 제품과 포장을 분리 수거하면 자원을 재활용 및 재사용할 수 있습니다. 재활용 자원을 이용하면 환경 오염이 방지되고 고철 자원에 대한 수요를 줄일 수 있습니다.



윤활방법

전동 공구는 별도의 윤활 작업이 필요하지 않습니다.



청소



경고: 통풍구 속이나 주변에 먼지가 쌓여있는 것이 보이면 가능한 한 자주 건조한 공기를 이용하여 몸체에서 먼지를 불어내십시오. 이 절차를 수행할 때에는 승인된 눈 보호 장구 및 승인된 방진 마스크를 착용하십시오.



경고: 공구의 금속 이외 부품을 청소할 때는 용제 등의 강력한 화학약품을 절대 사용하지 마십시오. 그렇지 않으면 이러한 부분에 사용된 재료가 약해질 수 있습니다. 형광에 물과 순한 비누를 적셔 닦아주십시오. 공구 내부에 액체를 넣거나 공구 부품을 액체에 담그는 행동은 절대 금물입니다.

옵션 액세서리



경고: DEWALT에서 제공하지 않은 액세서리는 본 제품에서 테스트되지 않았으므로, 본 제품에서 이러한 액세서리를 사용하면 위험할 수 있습니다. 신체 부상의 위험을 줄이려면 본 제품에 DEWALT 권장 액세서리만 사용해야 합니다.

해당 액세서리에 대한 자세한 정보는 판매 대리점으로 문의하십시오.

환경 보호



분리 수거하십시오. 본 제품을 일반 가정용 쓰레기로 처리하면 안됩니다.

DEWALT 제품을 교체해야 하거나 더 이상 쓸모가 없어졌다고 판단될 때는 본 제품을 가정용 쓰레기와 함께 처리하지 마십시오. 이 제품은 분리 수거하십시오.

