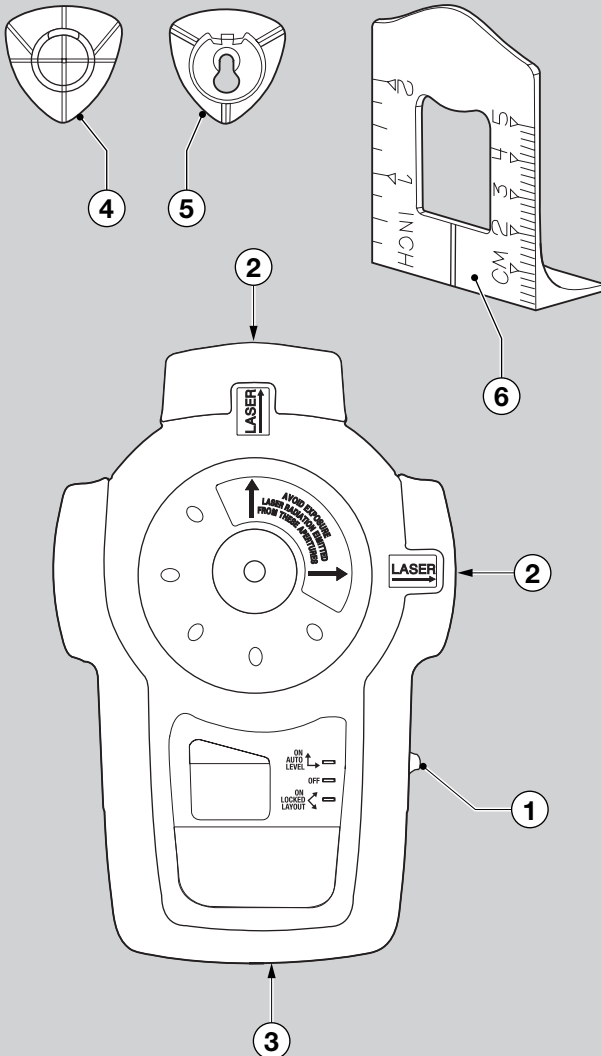




BLACK & DECKER®

www.blackanddecker.co.uk

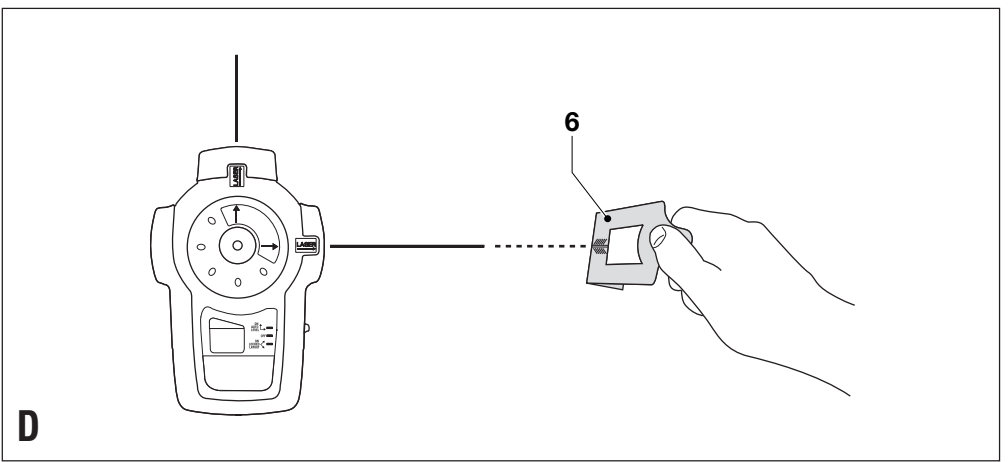
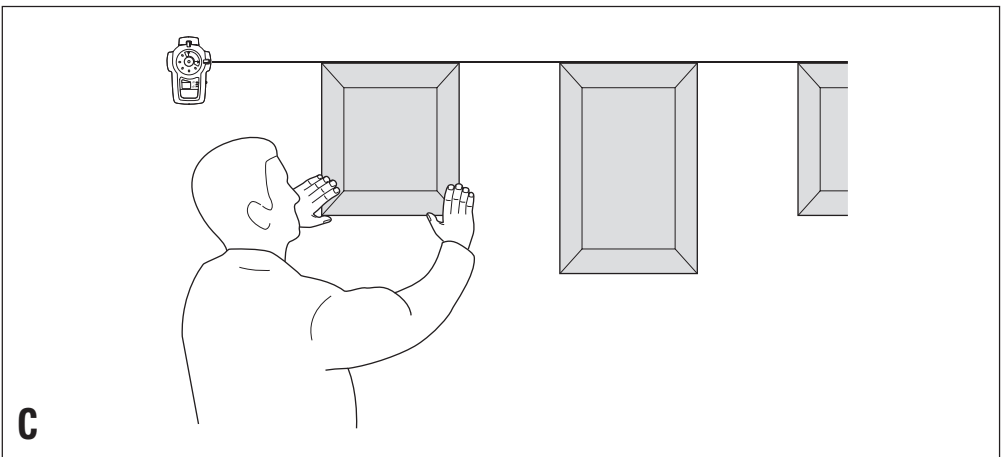
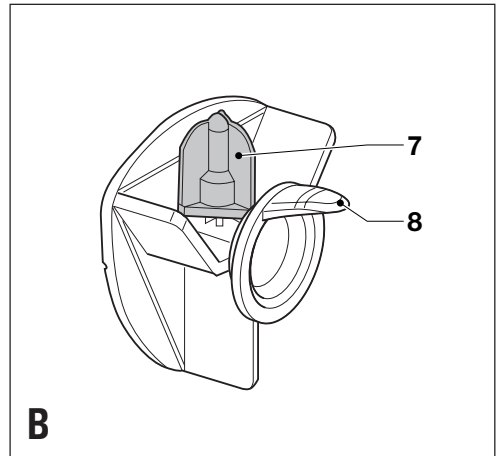
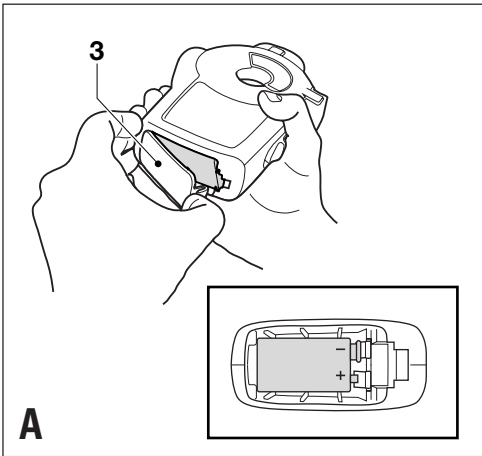


UK

Ireland

Australia

New Zealand



Intended use

This Black & Decker tool has been designed to project laser lines to aid in DIY applications. This tool is intended for consumer use only.

Safety instructions

- ◆ **Warning!** When using battery-powered tools, basic safety precautions, including the following, should always be followed to reduce the risk of fire, leaking batteries, personal injury and material damage.
- ◆ Read all of this manual carefully before operating the tool.
- ◆ Retain this manual for future reference.

Keep work area clean

Cluttered areas and benches can cause accidents.

Consider work area environment

Do not expose the tool to rain. Do not use the tool in damp or wet conditions. Keep the work area well lit. Do not use the tool where there is a risk of causing fire or explosion, e.g. in the presence of flammable liquids and gases.

Keep children away

Do not allow children, visitors or animals to come near the work area or to touch the tool.

Do not overreach

Keep proper footing and balance at all times.

Stay alert

Watch what you are doing. Use common sense. Do not operate the tool when you are tired.

Use appropriate tool

The intended use is described in this instruction manual.

Warning! The use of any accessory or attachment or performance of any operation with this tool other than those recommended in this instruction manual may present a risk of personal injury.

Check for damaged parts

Before use, carefully check the tool for damage. Ensure that the tool will operate properly and perform its intended function. Do not use the tool if any part is damaged or defective.

Store idle tools

When not in use, tools and batteries should be stored in a dry, locked up or high place, out of reach of children.

Repairs

This tool complies with relevant safety requirements. Repairs should only be carried out by qualified persons using original spare parts; otherwise this may result in considerable danger to the user.

Additional safety instructions for non-rechargeable batteries

- ◆ Never attempt to open for any reason.
- ◆ Do not store in locations where the temperature may exceed 40 °C.

- ◆ When disposing of batteries, follow the instructions given in the section "Protecting the environment". Do not incinerate the batteries.
- ◆ Under extreme conditions, battery leakage may occur. When you notice liquid on the batteries, proceed as follows:
 - Carefully wipe the liquid off using a cloth.Avoid skin contact.

Additional safety instructions for lasers



Warning! Laser radiation.



Do not look into the laser beam.



Do not view the laser beam directly with optical instruments.



Refer to the laser product characteristics.

- ◆ This laser complies with class 2 according to EN 60825-1:1 1994+A11. Do not replace a laser diode with a different type. If damaged, have the laser repaired by an authorised repair agent.
- ◆ Do not use the laser for any purpose other than projecting laser lines.
- ◆ An exposure of the eye to the beam of a class 2 laser is considered safe for a maximum of 0.25 seconds. Eyelid reflexes will normally provide adequate protection. At distances over 1 m, the laser complies with class 1 and thus is considered completely safe.
- ◆ Never look into the laser beam directly and intentionally.
- ◆ Do not use optical tools to view the laser beam.
- ◆ Do not set up the tool at a position where the laser beam can cross any person at head height.
- ◆ Do not let children come near the laser.

Features

1. On/off switch
2. Laser apertures
3. Battery cover
4. Hanging insert
5. Keyhole insert
6. Marking target

Assembly

Warning! Make sure that the tool is switched off.

Fitting the battery (fig. A)

- ◆ Remove the battery cover (3) from the tool.
- ◆ Connect the battery to the connector.

The larger battery terminal connects to the smaller connector terminal.

- ◆ Insert the battery into the tool in the orientation as shown.
- ◆ Refit the cover and let it click into place.

Fitting and removing inserts

The marking/hanging insert is used to make a mark on the level line or to hang the tool on a drywall board using the level line pin supplied. The keyhole insert is used to hang the tool on other types of wall using a screw or nail.

Fitting

- ◆ Place the insert into the holder from the back of the tool.
- ◆ Align the notches on the insert with the recesses in the insert holder.
- ◆ Let the insert click into place.

Removing

- ◆ Keep the notches on the insert depressed.
- ◆ Push the insert out of the holder.

Wall mounting (fig. B)

The unit can be mounted to walls using one of the inserts (4 or 5).

Hanging insert

The hanging insert (4) can be used for mounting to drywall surfaces only.

- ◆ Mount the insert to the tool.
- ◆ Remove the protective cap (7) from the pin (8) and store it on the insert as shown (fig. B).
- ◆ Hold the unit in front of a suitable location and press the pin straight into the wall.

Warning! The pin of the insert is sharp and should be handled with care. Replace the protective cap immediately after removing the insert from the wall.

Keyhole insert

For surfaces other than drywall, the keyhole insert (5) can be used with a screw in a predrilled hole.

- ◆ Mount the insert to the tool.
- ◆ Hang the unit on a screw mounted on a suitable location.

Use

Using the laser level function (fig. C)

Using the laser in auto-leveling mode

- ◆ Place the tool flat against the wall.
- ◆ Push the on/off switch (1) up to switch the tool on in auto-leveling mode.

- ◆ Move the tool as necessary to position the laser line.
- ◆ If necessary, hang the unit on the wall using the appropriate insert.

Note: the laser lines will only be level if the tool is kept within 5° from vertical.

Using the laser in locked/layout mode

When operating in the locked/layout mode, the tool can be held in any position, e.g. to project slope lines.

- ◆ Place the tool flat against the wall.
- ◆ Push the on/off switch (1) down to switch the tool on in locked/layout mode.
- ◆ Move the tool as necessary to position the laser line.
- ◆ If necessary, hang the unit on the wall using the appropriate insert.

Hints for optimum use

- ◆ If because of the lighting conditions it is difficult to see the laser line, or if the laser line has to be transferred over long distances, you can use the marking target (6) to enhance laser line (fig. D).

Protecting the environment

Tools



Should you find one day that your tool needs replacement, or if it is of no further use to you, think of the protection of the environment. Black & Decker repair agents will accept old Black & Decker tools and ensure that they are disposed of in an environmentally safe way.

Battery



If you want to dispose of the tool yourself, the battery must be removed as described above and disposed of in accordance with local regulations.

- ◆ Place the battery in a suitable packaging to ensure that the terminals cannot be short-circuited. Take the batteries to a local recycling station.

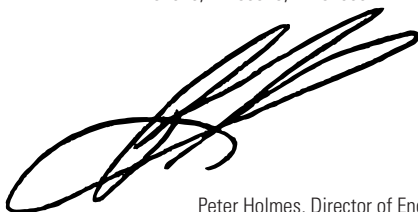
Technical data

		LZR5	BDL400S
Voltage	V	9	9
Battery size		6LR61	6LR61
Laser class		2	2
Operating temperature	°C	0 - 40	0 - 40
Weight	kg	0.3	0.3

EC declaration of conformity

LZR5/BDL400S

Black & Decker declares that these products conform to:
EN 61010, EN 60825, EN 61000



Peter Holmes, Director of Engineering
Black & Decker, 56 Bai Yu Road
Suzhou Industrial Park
Suzhou, Jiangsu, 215021

Guarantee

Black & Decker is confident of the quality of its products and offers an outstanding guarantee. This guarantee statement is in addition to and in no way prejudices your statutory rights. The guarantee is valid within the territories of the Member States of the European Union and the European Free Trade Area.

If a Black & Decker product becomes defective due to faulty materials, workmanship or lack of conformity, within 24 months from the date of purchase, Black & Decker guarantees to replace defective parts, repair products subjected to fair wear and tear or replace such products to ensure minimum inconvenience to the customer unless:

- ◆ The product has been used for trade, professional or hire purposes;
- ◆ The product has been subjected to misuse or neglect;
- ◆ The product has sustained damage through foreign objects, substances or accidents;
- ◆ Repairs have been attempted by persons other than authorised repair agents or Black & Decker service staff.

To claim on the guarantee, you will need to submit proof of purchase to the seller or an authorised repair agent. You can check the location of your nearest authorised repair agent by contacting your local Black & Decker office at the address indicated in this manual. Alternatively, a list of authorised Black & Decker repair agents and full details of our after-sales service and contacts are available on the Internet at:

www.2helpU.com

Please visit our website **www.blackanddecker.co.uk** to register your new Black & Decker product and to be kept up to date on new products and special offers. Further information on the Black & Decker brand and our range of products is available at **www.blackanddecker.co.uk**

Australia

Black & Decker (Australia) Pty. Ltd. Tel. 03-8720 5100
20 Fletcher Road, Mooroolbark, Fax 03-9727 5940
Victoria, 3138

New Zealand

Black & Decker Tel. 09 579 7600
81 Hugo Johnston Drive Fax 09 579 8200
Penrose, Auckland, New Zealand

United Kingdom

Black & Decker Tel. 01753 511234
210 Bath Road Fax 01753 551155
Slough, Berkshire SL1 3YD Helpline 01753 574277