



## IMPORTANT SAFEGUARDS

While using electrical appliances, in order to reduce the risk of fire, electric shock, and/or injury to persons, basic safety precautions should be followed, including the following:

- Read all instructions carefully, even if you are familiar with the appliance.
- To protect against the risk of electric shock, **DO NOT IMMERGE** the appliance, cord set or plug in water or other liquids.
- To clean, wipe the exterior with a damp cloth.
- Close supervision is necessary when any appliance is used near children. Never leave an appliance unattended when in use.
- If the supply cord is damaged, it must be replaced by the manufacturer or its service agent or a similarly qualified person in order to avoid a hazard.
- Switch off and remove the plug from the power outlet when not in use before assembling or disassembling parts, cleaning or carrying out any maintenance of the appliance. Never pull the cord while unplugging out from power outlet.
- Do not operate the appliance if its damaged in any manner. Return the complete appliance to your nearest authorized service facility for examination, electrical repair, mechanical repair or adjustments to avoid any hazard.
- The use of attachments or accessories not recommended or sold by this appliance manufacturer may result in fire, electric shock or personal injury.
- Do not let the cord hang over the edge of a table, counter, or touch hot surfaces.
- Avoid touching hot surfaces, use handles and knobs.
- Do not operate or place any part of this appliance on or near any hot surfaces (such as gas or electric burner or in a heated oven).
- Do not abuse the cord. Never carry the appliance by the cord or yank it to disconnect it from the outlet; instead, grasp the plug and pull to disconnect.
- When using an extension cord with your appliance, make sure the extension cord is correctly wired, and rated for its use.
- This product is intended for household use only.
- Do not attempt to repair the appliance yourself; instead, take it to your Black & Decker-owned or Authorized Service Centre for repair.

**SAVE THESE INSTRUCTIONS**

Fig A

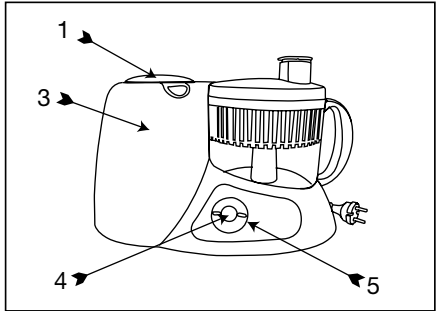
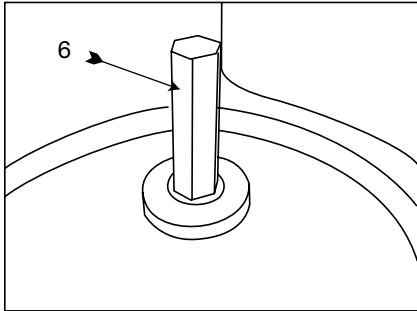
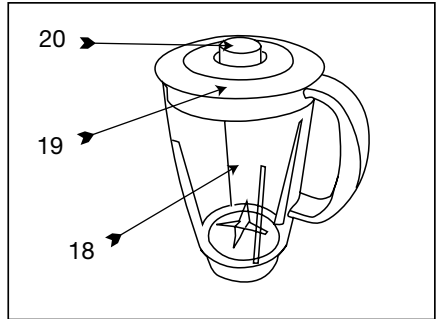
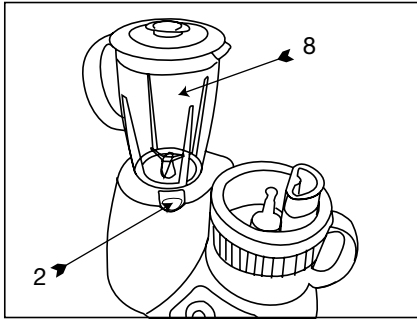


Fig B

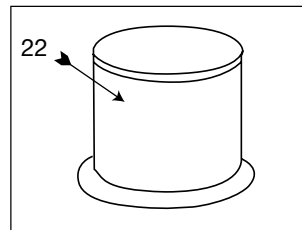
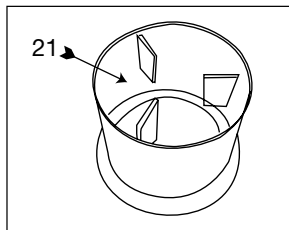
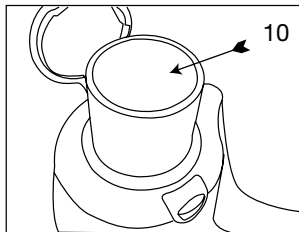


Fig C

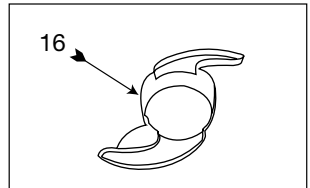
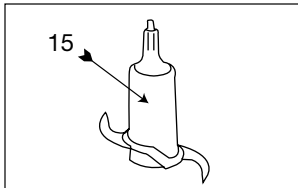
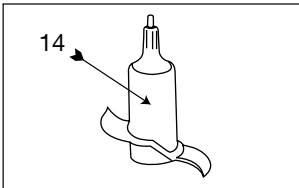
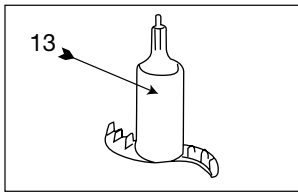
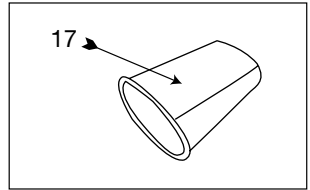
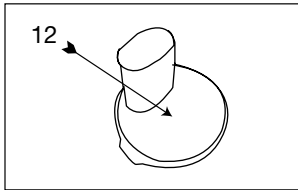
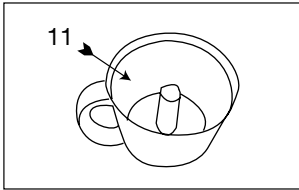
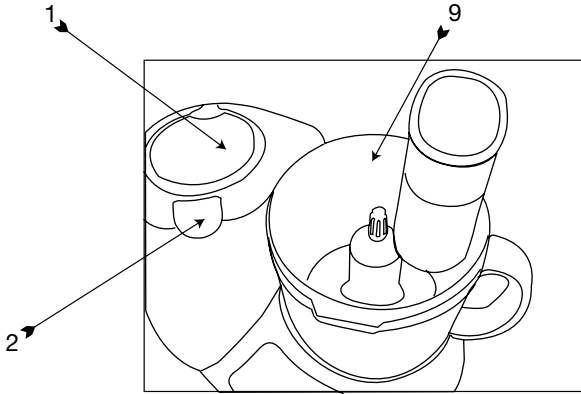


Fig D

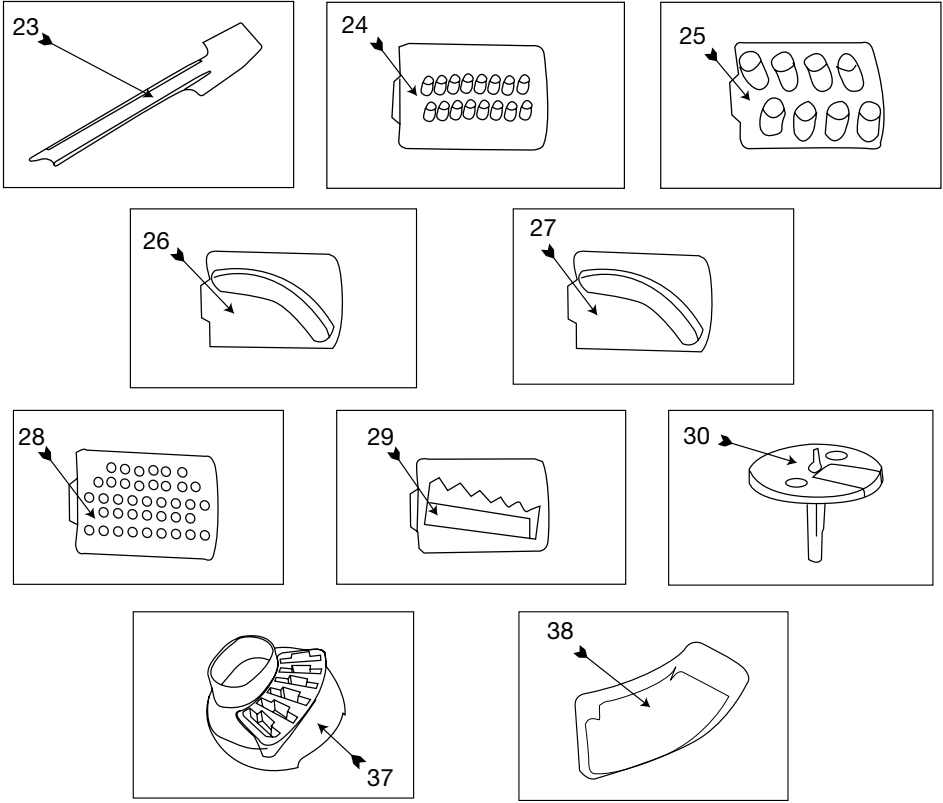


Fig E

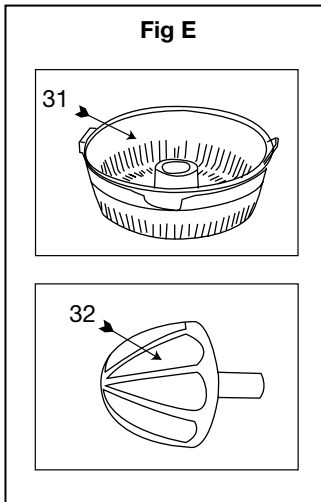
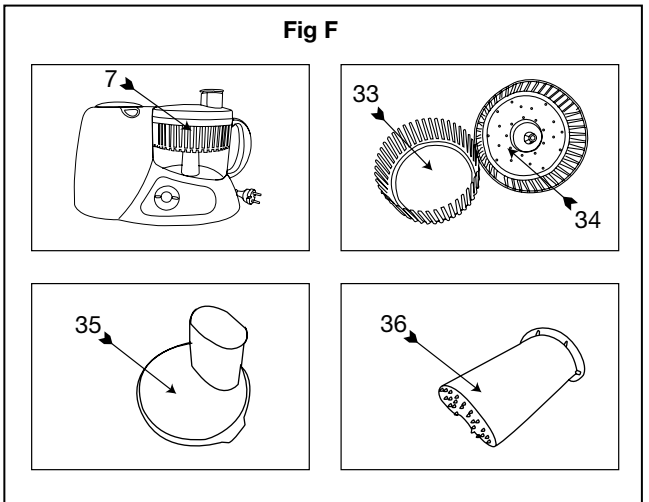


Fig F



### Intended use

Your Black & Decker food processor has been designed for preparing food and beverage ingredients as described in this manual. Do not use this appliance for any other purpose. This product is intended for indoor household use only.

### Safety instructions

**Warning!** When using mains-powered appliances, basic safety precautions, including the following, should always be followed to reduce the risk of fire, electric shock, personal injury and material damage.



Read all of this manual carefully before using the appliance.

- The intended use is described in this manual. The use of any accessory or attachment or the performance of any operation with this appliance other than those recommended in this instruction manual may present a risk of personal injury.
- Retain this manual for future reference.

### Using your appliance

- Make sure that the appliance is switched off before connecting to or disconnecting from the power supply.
- Always take care when using the appliance.
- Do not use the appliance outdoors.
- Always protect the motor unit from water or excessive humidity.
- Do not operate the appliance if your hands are wet.
- Do not operate the appliance if you are barefoot.
- Do not touch moving parts. Keep long hair and loose clothing out of the way of the moving parts.
- Guide the power supply cord neatly so it does not hang over the edge of a worktop and cannot be caught accidentally or tripped over.
- Never pull the power supply cord to disconnect the plug from the socket. Keep the power supply cord away from heat, oil and sharp edges.
- Switch off and wait for the motor to stop running before disconnecting the appliance from the power supply.
- Never detach any part or accessory while the appliance is still connected to the power supply. Always disconnect the appliance from the power supply first.
- If the power supply cord is damaged during use, disconnect the appliance from the power supply immediately. Do not touch the power supply cord before disconnecting from the power supply.
- Disconnect the appliance from the power supply when not in use, before fitting or removing parts and before cleaning.
- Misuse could cause an injury.
- Keep loose clothing, hair, jewellery etc. away from moving parts.
- Care is needed when handling cutting blades, especially when removing the blades and during cleaning.

**Safety of others**

- Do not allow children or any person unfamiliar with these instructions to use the appliance.
- Do not allow children or animals to come near the work area or to touch the appliance or power supply cord.
- Close supervision is necessary when the appliance is used near children.
- This appliance is not intended for use by persons (including children) with reduced physical, sensory or mental capabilities, or lack of experience and knowledge, unless they have been given supervision or instruction concerning use of the appliance by a person responsible for their safety.
- Children must be supervised to make sure that they do not play with the appliance.

**After use**

- Switch off the appliance before cleaning, changing accessories or approaching parts which move in use.
- Switch off and remove the plug from the socket before leaving the appliance unattended and before changing, cleaning or inspecting any parts of the appliance.
- When not in use, the appliance should be stored in a dry place. Children should not have access to stored appliances.

**Inspection and repairs**

- Before use, check the appliance for damaged or defective parts. Check for breakage of parts, damage to switches and any other conditions that may affect its operation.
- Do not use the appliance if any part is damaged or defective.
- Have any damaged or defective parts repaired or replaced by an authorised repair agent.
- Before use, check the power supply cord for signs of damage, ageing and wear.
- Do not use the appliance if the power supply cord or mains plug is damaged or defective.
- If the supply cord is damaged, it must be replaced by the manufacturer or an authorised Black & Decker Service Centre in order to avoid a hazard.
- Never attempt to remove or replace any parts other than those specified in this manual.

**Electrical Safety**



This tool is double insulated in accordance with EN60335; therefore no earth wire is required. Always check that the power supply corresponds to the voltage on the rating plate.



To avoid the risk of electric shock, do not immerse the cord, plug or motor unit in water or other liquid.

**Unpacking**

- Remove all packaging from the appliance.
- Clean the appliance before first use.

### Features

- 1 Safety cover
- 2 Safety cover release
- 3 Main unit
- 4 Turbo/pulse button
- 5 Speed control
- 6 Spindle
- 7 Centrifugal Juicer attachment
- 8 Blender attachment
- 9 Processor bowl attachment
- 10 Dry mill attachment
- 11 Bowl
- 12 Food processor lid
- 13 Whisking blade
- 14 Kneading blade
- 15 Chopping blade
- 16 Chopping blade cover
- 17 Pusher
- 18 Blender jar
- 19 Blender lid
- 20 Measuring cap
- 21 Dry mill jar
- 22 Dry mill lid
- 23 Spatula
- 24 Fine shredding blade
- 25 Coarse shredding blade
- 26 Thick slicing blade
- 27 Thin slicing blade
- 28 Grating blade
- 29 French fry blade
- 30 Blade carrier
- 31 Citrus juice filter
- 32 Reamer
- 33 Centrifugal juicer sieve inner
- 34 Centrifugal juicer seive outer
- 35 Centrifugal juicer lid
- 36 Centrifugal juicer pusher
- 37 Blade storage
- 38 Blade storage cover

### Assembly

**Warning!** Before assembly, make sure that the appliance is switched off and unplugged.

### Fitting and removing an attachment

#### Blending attachment (fig. A)

- Press the safety cover release (2) & raise the safety cover (1) to the open position.
- Fit the blender (8) onto the main unit (3) & rotate anti-clockwise until it locks in place.
- Place the processor bowl attachment (9) over the spindle (6). Rotate the lid (12) clockwise until it locks in place.



**Note:** The blender will not operate if the processor lid is not locked in position.

- To remove the blender attachment, turn the appliance off & wait until all parts come to a complete stop then remove the processor lid (12).
- Rotate the blender in a clock-wise direction & lift it from the appliance.
- Close the safety cover (1) & press it down until it locks in place.

**Note:** Do not fit any attachments to the bowl attachment (9) when using the blender attachment.

**Note:** Never operate the blender when empty.

### **Mill Attachment (fig. B)**

- Press the safety cover release (2) & raise the safety cover (1) to the open position.
- With the ingredients in the mill attachment (10), place it onto the main unit (3) & rotate the lid (22) anti-clockwise until it locks in place.
- Place the processor bowl attachment (9) over the spindle (6). Rotate the lid (12) clockwise until it locks in place.

**Note:** The mill will not operate if the processor lid is not locked in position.

- To remove the mill attachment, turn the appliance off & wait until all parts come to a complete stop then remove the processor lid (12).
- Rotate the mill in a clock-wise direction & lift it from the appliance.

- Close the safety cover (1) & press it down until it locks in place.

**Note:** Do not fit any attachments to the bowl attachment (9) when using the mill attachment.

**Note:** Never operate the mill when empty.

### **Whisk, Kneading & Chopping Blade Attachments (fig. C)**

- Close the safety cover (1) & press it down until it locks in place.
- Place the processor bowl attachment (9) over the spindle (6).
- Fit the required attachment (13, 14 or 15) over the spindle (6), rotating it to ensure it drops into place.
- Place the lid (12) onto the bowl (11) & rotate clockwise until it locks in place.
- Fit the pusher (17) into the hole in the lid (12).
- To remove the attachment, turn the appliance off & wait until all parts come to a complete stop then remove the processor lid (12).
- Lift the whisk from the appliance.

**Note:** Never use the whisk for kneading dough

**Note:** Always leave the pusher in place when an attachment is fitted in the bowl.

**Note:** The appliance will not operate if the will not operate if the lid (35) is not locked in position.

**Note:** Care must be taken when handling the sharp cutting blades, emptying the bowl and during cleaning.

### Citrus Juicer Attachment ( Fig E)

- Close the safety cover (1) & press it down until it locks in place.
- Place the processor bowl (11) over the spindle (6).
- Fit the citrus filter (31) over the spindle (6) & rotate it anti-clockwise until it locks in place.
- Fit the reamer (32) over the spindle.
- To remove the attachment, turn the appliance off & wait until all parts come to a complete stop then rotate it in a clockwise direction & lift it from the appliance.

**Note:** The citrus juicer will not operate if the filter (31) is not locked in position.

### Centrifugal Juicer Attachment (Fig F)

- Close the safety cover (1) & press it down
- Place the processor bowl (11) over the spindle (6).
- Fit the sieve parts (33 & 34) together & place them inside the processor bowl (11).
- Fit the centrifugal juicer lid (35) onto the bowl & rotate anti-clockwise until it locks in place. Place the pusher (36) into the hole in the lid.
- To remove the attachment, turn the appliance off & wait until all parts come to a complete stop. Rotate the lid (35) in a clockwise direction & lift it from the appliance.
- Remove the filter.

**Note:** The centrifugal juicer will not operate if the lid (35) is not locked in position.

**Note:** Always leave the pusher in place when an attachment is fitted in the bowl.

### Shredding, Slicing, Grating & Chipping

#### Blade Attachment (Fig D)

- Close the safety cover (1) & press it down
- Place the processor bowl (11) over the spindle (6).
- Fit the required blade (24, 25, 26, 27, 28 or 29) to the blade carrier. The short, straight edge of the blade should be inserted into the rectangular hole in the carrier first then the curved edge should be carefully pressed down until it locks in place.
- Fit the blade carrier (30) over the spindle.
- Place the lid (12) onto the bowl (11) & rotate clockwise until it locks in place.
- Fit the pusher (17) into the hole in the lid (12).
- To remove the attachment, turn the appliance off & wait until all parts come to a complete stop then remove the processor lid (12).
- Using the 2 holes provided, lift the carrier from the appliance.

**Note:** Always leave the pusher in place when an attachment is fitted in the bowl.

**Note:** The appliance will not operate if the lid (35) is not locked in position.

**Note:** Care must be taken when handling the sharp cutting blades, emptying the bowl and during cleaning.

### Blade Storage (Fig D)

- Place each of the 6 blades (24, 25, 26, 27, 28 or 29) into the slots in the blade storage (37).
- Fit the cover (38) over the blades.
- The blade storage can be placed on top of the processor lid (35) for storage.

### Use

#### Blending (Fig A)

- Place the ingredients in the blender.
- Press the lid (19) onto the jar (18) & insert the measuring cap (20) into the hole in the lid.
- Attach the blender & processing bowl to the main unit.
- Connect the appliance to a suitable electrical supply.
- The blender can be operated by rotating the speed control (5) to the required speed or by pressing the “Turbo / Pulse” button (4).

**Note:** Always operate the blender with the lid in place.

**Note:** When blending warm liquids, loosen the measuring cap (20).

**Note:** Never operate the blender with more than 1000ml of liquid or when empty.

#### Mill (Fig B)

- Place the ingredients in the mill jar (21).
- Assemble the lid (22) to the jar then fit the assembled mill and processor bowl & lid to the main unit.
- Connect the appliance to a suitable electrical supply.

- The mill should be operated by pressing the “Turbo / Pulse” button (4).
- Do not operate the appliance continuously for more than 1 minute.
- After operating continuously for 1 minute, let it cool down for at least 1-2 minutes before operating it again.

### Food Guide

Ingredients Runtime Speed Qty

Pepper/Coffee beans 15-25 sec 10 40 gms

Pulses 25-35 sec 15 50 gms

#### Whisk, Kneading & Chopping Blade (Fig C)

- Fit the processor bowl (11) onto the main unit (3).
- Fit the whisk (13), kneading blade (14) or chopping blade (15) over the spindle (6).
- Add the ingredients to the bowl & fit the lid (12).
- Connect the appliance to a suitable electrical supply.
- The appliance can be operated by rotating the speed control (5) to the required speed, or pressing the “Turbo / Pulse” button (4).
- Use the food pusher (10) to add food into the processor bowl (12) through the hole in the lid (12).
- When the processing is complete, remove the blade from the bowl before removing the processed ingredients.
- After cleaning, always replace the protective cover (14) on the metal chopping blade (15).

**Note:** Care must be taken when handling the sharp cutting blades, emptying the bowl and during cleaning.

**Note:** Always handle the chopping blade (15) by its central plastic part.

**Note:** When kneading dough, do not operate the machine longer than 20 seconds. Wait at least 2 minutes before operating the machine again.

**Note:** When whisking, use maximum speed.

### **Citrus Juicer Attachment (Fig E)**

- Fit the processor bowl (11) onto the main unit (3) & assemble the citrus juicer.
- Cut the fruit in half.
- Connect the appliance to a suitable electrical supply.
- Rotate the speed control (5) to the minimum setting.
- Gently press the cut face of the fruit onto the reamer (32).
- When juicing is completed, turn off the appliance & wait until all parts come to a complete stop.
- Remove the reamer & filter.
- Remove the bowl (11) & pour the juice into a suitable container.

**Note:** The citrus juicer should only be operated at minimum speed.

### **Centrifugal Juicer Attachment (Fig F)**

- Fit the processor bowl (11) onto the main unit (3) & assemble the centrifugal juicer.
- Connect the appliance to a suitable electrical supply.

- Rotate the speed control (5) a medium setting for soft fruits & the maximum setting for hard fruits.
- Insert the ingredient into the hole in the lid. The pusher (36) can be used to guide the ingredients onto the filter.
- If the juice extractor becomes clogged during use, turn the processor off and remove the pulp using the spatula.

**Note:** Always use the pusher (36) to guide the ingredients.

**Note:** Never insert fingers in to the hole in the lid.

**Note:** Do not use the appliance if the rotating sieve is damaged.

### **Shredding, Slicing, Grating & Chipping Blade Attachment (Fig D)**

- Assemble the required blade & fit the bowl & assembled blade carrier to the appliance.
- Fit the lid.
- Connect the appliance to a suitable electrical supply
- Rotate the speed control (5) to the maximum setting.
- Using the pusher (36), press the ingredients down towards the blade.

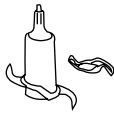



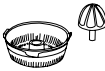



**Note:** Always use the pusher (36) to guide the ingredients.

**Note:** Never insert fingers in to the hole in the lid.

**Note:** Do not over-fill the bowl

**Note:** Care must be taken when handling the sharp cutting blades, emptying the bowl and during cleaning.

Operating times and preparations

Attachment & Tools	Function	Types Of Food	Speed	Times
	Chopping	Meat, vegetables cheese, chocolate	15 - max	15-20 sec
	Blending	Soups, drinks	20 - max	20 sec
	Pureeing	Cooked vegetables and Potatoes, fruit	15 - 20	10-15 sec
	Mixing	Pastry, scones Cakes	20 - max 5 - max	1 min max 1 min max
	Kneading	Bread dough	20 - max	20 sec
	Slicing	Vegetables, cheese, potatoes, fruit	5 - 20	5-6 sec
	Shredding	Vegetables, cheese, fruit, chocolate	15 - 20	5-6 sec
	Chipping	Potatoes	1 - 5	
	Grating	Cheese	Max	
	Whisking	Egg	20 - max	1-2 min
	Juicing	Citrus fruits orange, grape fruit, lemon lime, cut into halves	5 - 15	
	Juicing	Carrot	Max	
	Blending/ liquidising	Soup, purees, drinks, milkshakes, batters	20 - max	15 sec 1 min
	Dry grinding	Pepper/coffee beans	20 - max	

### Switching on and off

- To operate the appliance for a short time, press the “Turbo / pulse” button (4). The appliance will stop operating once the “Turbo / pulse” button is released.
- For continuous operation, rotate the speed control (5) to the required speed. The appliance will stop operating once the control is returned to the “0” (Off) position.
- For an additional burst of speed, the “Turbo / pulse” button can be pressed for a short time during processing. To return to the previous speed, release the button.

**Warning!** Do not operate the appliance continuously for more than the specified times. After operating the appliance up to the times stated, allow it to cool down to room temperature before operating it again.

**Warning!** After switching off always allow the motor to stop before approaching the blade.

### Cleaning and maintenance

**Warning!** Switch the appliance off and unplug it before cleaning or maintenance. Be careful when cleaning the blades; they are sharp.

**Warning!** Do not immerse the appliance, the cord set or the plug in water or any other liquid.

Wash the attachments in warm soapy water and dry well.

- Wipe the main unit (3) with a damp cloth. Do not use any abrasive or solvent-based cleaner. Ensure the unit is dry before re-use.
- Always clean the appliance immediately after use. Do not let food dry on to the blades as this will make cleaning difficult.

### Technical Data

		FX1000
Voltage	Vdc	230
Power input	W	1000
Weight	kg	4.9

### Protecting the environment



Separate collection. This product must not be disposed of with normal household waste.

Should you find one day that your Black & Decker product needs replacement, or if it is of no further use to you, do not dispose it off with other household waste. Make this product available for separate collection.



Separate collection of used products and packaging allows materials to be recycled and used again. Use of recycled materials helps prevent environmental pollution and reduces the demand for raw materials.

Local regulations may provide for separate collection of electrical products from the household, at municipal waste sites or by the retailer when you purchase a new product.

Black & Decker provides a facility for the collection and recycling of Black & Decker products once they have reached the end of their working life. To take advantage of this service please return your product to any authorised repair agent who will collect them on our behalf. You can check the location of your nearest authorised repair agent by contacting your local Black & Decker office at the address indicated in this manual. A list of authorised Black & Decker repair agents and full details of our after-sales service and contact are available on the Internet at: [www.2helpU.com](http://www.2helpU.com)

## BLACK & DECKER HOME APPLIANCE 2 YEAR WARRANTY

Black & Decker provides a 2 Year Warranty for this product from the date of purchase against defects due to defective materials or workmanship. Motor/element burn-outs due to voltage fluctuations are not covered under warranty. If the product should become defective within the warranty period, Black & Decker will repair or (at Black & Decker's discretion) replace it free of charge.

The warranty provisions do not cover failure due to accident, misuse, abuse, negligence or non observation of local regulations on the part of the user. Equally, the warranty provisions do not apply where the appliance has been serviced by a person not authorized by Black & Decker or serviced with non-approved parts and this has contributed to the fault of the product. Superseded models without a replacement equivalent will either be repaired or (at Black & Decker's discretion) replaced with another product of similar retail value.

### UPON PURCHASE

Fill in the Warranty Registration Card with the original Authorized Dealer's stamp (indicating date of purchase) and attach your purchase receipt to it. Retain in case of claims in the future.

### MAKING A CLAIM

Take your defective product together with the Warranty Registration Card & purchase receipt to your local service Centre. You can either do this in person or send it freight prepaid. If mailing or shipping your appliance, ensure that it is packed carefully in a sturdy carton with enough packing material to prevent damage. Include a note describing the problem to the service Centre and be sure to give your return address.

**DESIGNED FOR DOMESTIC PURPOSES ONLY.**

## حفاظت از محیط زیست



این وسیله را نباید مانند دیگر زباله های عادی منزل بدور انداخت بلکه باید آنرا از دیگر زباله ها مجزا نمود. در صورتیکه یكروز محصول بلك اند دكر شما دیگر بكارتان نیامد یا خواستید آنرا با چیز دیگری جایگزین نمائید، آن را با دیگر زباله های عادی منزل بدور نیاندازید بلکه آنرا جهت جمع آوری از دیگر زباله ها مجزا نمائید.

جداسازی محصولات و بسته بندی ها باعث می گردد تا بتوان آنها را بازیافت نمود و مجددا مورد استفاده قرار داد. استفاده از لوازم بازیافتی از آلودگی محیط زیست کاسته و نیاز به مواد خام را نیز کاهش خواهد داد.



ممکن است در قوانین محلی محل سکونت تان امکان جمع آوری لوازم الکتریکی منزل در اماکن خاصی توسط شهرداری یا فروشنده تجهیزات در نظر گرفته شده باشد.

کمپانی بلك اند دكر تسهیلاتی را جهت جمع آوری و بازیافت محصولات متعلق به شما ( هنگامی که به پایان عمر کاری خود رسیده باشند) را ارائه می نماید. جهت بهره مندی از این امکان لطفاً محصول خود را به هر کدام از نمایندگی های تعمیر مجاز ما تحویل دهید و آنها محصولات را به نیابت از ما تحویل خواهند گرفت. جهت یافتن نزدیک ترین مرکز تعمیر مجاز در محل سکونت تان با دفتر محلی بلك اند دكر در آدرس هایی که در این راهنما ذکر گردیده اند تماس حاصل نمائید. جهت دریافت لیست کامل و جزئیات نمایندگی های خدمات پس از فروش بلك اند دكر و شماره های تماس آنها به آدرس اینترنتی [www.2helpU.com](http://www.2helpU.com) مراجعه نمائید.

## ضمانتنامه ۲ ساله لوازم خانگی بلك اند دكر

بلك اند دكر این محصول را به مدت ۲ سال از تاریخ خرید در برابر ایرادات ناشی از خرابی لوازم یا خطاهای ساخت تضمین می کند. سوختن موتور بر اثر نوسانات برق شهری مشمول این ضمانت نمی شود. در صورتیکه دستگاه در خلال مدت ضمانت خراب شود، بلك اند دكر آنرا به صلاحدید خود و بطور مجانی تعمیر و یا قطعات آنرا تعویض خواهد نمود.

این ضمانت، ایرادات حاصله بر اثر تصادف، عدم استفاده صحیح، استفاده غلط، بی مبالاتی یا عدم توجه به قوانین محلی در جایی که مالک دستگاه در آن سکونت دارد را در بر نمی گیرد. بگونه ای مشابه، در صورتیکه دستگاه توسط تعمیر گاهی غیر از مراکز تعمیر مجاز بلك اند دكر سرویس شده باشد و یا در سرویس آن قطعات غیر اصلی بکار رفته که منجر به خرابی دستگاه شده باشد، ضمانت دستگاه از اعتبار خارج می شود. مدل های قدیمی که مشابه شان برای جایگزینی دیگر موجود نمی باشد، تعمیر شده یا به صلاحدید بلك اند دكر با محصولی دیگر با ارزش مشابه جایگزین خواهند شد.

### به هنگام خرید

فرم ثبت ضمانتنامه را پر نموده از فروشنده محصول بخواهید تا آنرا با ذکر تاریخ خرید محصول مهر نموده و رسید خرید را نیز به آن ادا صاق نماید. کارت ضمانت را جهت مراجعات بعدی حفظ نمائید.

### روش مطالبه

وسیله معیوب خود را به همراه کارت ضمانت و رسید خرید آن به نزدیکترین مرکز سرویس مجاز محل سکونت خود ببرید. شما می توانید اینکار را مستقیماً یا توسط بیک پیش پرداز انجام دهید. در صورتیکه دستگاه خود را با پست و یا بیک ارسال می نمائید آنرا داخل يك کارتن محکم قرار داده و اطراف آن را با مواد مخصوص بسته بندی پر کنید تا از آسیب رسیدن به دستگاه به هنگام حمل جلوگیری شود. به همراه دستگاه توضیحی مختصر از ایراد آن را هم ارسال نموده و ذکر آدرس گیرنده را نیز فراموش ننمائید.

طراحی شده تنها جهت مصارف خانگی



نحوه روشن و خاموش کردن دستگاه

- بدنه اصلی دستگاه (۳) را با یک پارچه مرطوب تمیز کنید. هرگز از هیچگونه شوینده از نوع ساینده و یا از نوع حلال استفاده نکنید. پیش از استفاده مجدد از بدنه اصلی از خشک بودن آن اطمینان حاصل کنید.
- همیشه دستگاه را بلافاصله پس از استفاده تمیز کنید. اجازه ندهید تا مواد غذایی روی تیغه های دستگاه خشک شوند، زیرا اینکار موجب سخت تر شدن تمیز کردن دستگاه می شود.

#### مشخصات فنی دستگاه

FX1000		
الجهد	فولت تیار مباشر	۲۲۰
مدخل الطاقة	وات	۱۰۰۰
الوزن	کجم	۴٫۹

- برای استفاده از دستگاه برای یک مدت کوتاه، دکمه "Turbo / pulse" (۴) را فشار دهید. با آزاد کردن انگشت از روی دکمه "Turbo / pulse"، دستگاه متوقف خواهد شد.
- جهت استفاده ادامه دار از دستگاه، دکمه کنترل سرعت (۵) را روی سرعت مورد نظر بچرخانید. به هنگام بازگرداندن دکمه کنترل سرعت روی وضعیت "0" ( خاموش) دستگاه متوقف خواهد شد.

- برای افزایش قدرت دستگاه، می توان در خلال مدت کار دستگاه دکمه "Turbo / pulse" را برای مدت کوتاهی فشار داد. برای بازگشت به سرعت قبلی، انگشت خود را از روی دکمه بردارید.
- توجه! هرگز از دستگاه بطور مداوم برای مدت زمان هایی بیش از آنچه مشخص شده استفاده نکنید. پس از استفاده از دستگاه برای مدت زمان های مشخص شده، به آن کمی استراحت دهید تا خنک شده و برای استفاده مجدد آماده شود.
- توجه! پس از خاموش کردن دستگاه و قبل از دست زدن به تیغه ها، همیشه صبر کنید تا موتور دستگاه متوقف شود.

#### نحوه تمیز کردن و نگهداری از دستگاه

- توجه! پیش از اقدام به تمیز کردن و یا مراقبت و نگهداری از دستگاه، آنرا خاموش کرده و از برق خارج کنید. به هنگام تمیز کردن تیغه ها دقت کنید زیرا تیغه ها تیز هستند.
- توجه! هرگز دستگاه، سیم برق و یا دو شاخه آن را در آب و یا سایر مایعات غوطه ور نکنید. قطعات و بخش های جانبی دستگاه را با آب گرم و صابون شسته و بطور کامل خشک کنید.

## نحوه و مدت زمان لازم جهت آماده سازی مواد غذایی

مدت زمان	سرعت	نوع ماده غذایی	کارکرد	نوع قطعه جانبی
۱۵-۲۰ ثانیه	حداکثر- ۱۵	گوشت، سبزیجات، پنیر، شکلات	خرد کردن	
۲۰ ثانیه	حداکثر- ۲۰	سوپ، نوشیدنی ها	مخلوط کردن	
۱۰-۲۵ ثانیه	۱۵-۲۰	سبزیجات و سیب زمینی پخته شده	تهیه پوره	
حداکثر یک دقیقه	حداکثر - ۲۰	شیرینی، کلوچه	هم زدن	
حداکثر یک دقیقه	حداکثر- ۵	کیک		
۲۰ ثانیه	حداکثر- ۲۰	خمیر نان	خمیر زنی	
۵-۶ ثانیه	۵-۲۰	سبزیجات، پنیر سیب زمینی، میوه	برش دادن	
۵-۶ ثانیه	۱۵-۲۰	سبزیجات، پنیر میوه، شکلات	ریز کردن	
	۱-۵	سیب زمینی	ورقه کردن	
	حداکثر	پنیر	رنده کردن	
۱-۲	حداکثر- ۲۰	تخم مرغ	زدن و پف انداختن	
	۵-۱۵	مرکبات، پرتقال، گریپ فروت، لیمو به دو نیمه برش داده شوند	آبمیوه گیری	
	حداکثر	هویج	آبمیوه گیری	
۱۵ ثانیه ۱ دقیقه	حداکثر- ۲۰	سوپ، پوره، نوشیدنی، بستنی مایع، خمیر	مخلوط کردن/ مایع سازی	
	حداکثر- ۲۰	فلفل/ دانه های قهوه	آسیاب خشک	

- میوه ها و مواد غذایی را از داخل روزنه روی درب به دستگاه اضافه کنید. از دسته فشارنده (۳۶) برای هدایت مواد غذایی به سمت فیلتر استفاده کنید.
- در صورت گرفتگی و متوقف شدن آبمیوه گیر، دستگاه غذا ساز را متوقف کرده و به کمک کفگیر ارائه شده با دستگاه، تفاله میوه باقی مانده را خارج کنید.
- توجه: همیشه از دسته فشارنده (۳۶) برای هدایت مواد غذایی به سمت تیغه ها استفاده کنید.
- توجه: هرگز انگشتان خود در داخل روزنه روی درب نکنید.
- توجه: در صورت صدمه دیدگی الک چرخنده از دستگاه استفاده نکنید
- تیغه های مخصوص خرد کردن، برش دادن، رنده کردن و ریز کردن ( شکل د)
- تیغه مورد نظر خود را در داخل حامل تیغه قرار داده و سپس مجموعه را در داخل دستگاه قرار دهید.
- درب را در سر جای خود قرار دهید.
- دستگاه را به منبع تغذیه مناسب وصل کنید.
- دکمه کنترل سرعت (۵) را روی حداکثر قرار دهید.
- با استفاده از دسته فشارنده (۳۶) مواد غذایی را به سمت تیغه ها هدایت کنید.
- توجه: برای فشار دادن مواد غذایی به پائین همیشه از دسته فشارنده (۳۶) استفاده کنید.
- توجه: هرگز انگشتان خود را در داخل روزنه روی درب دستگاه وارد نکنید.
- توجه: از پر کردن بیش از حد دستگاه خود داری کنید
- توجه: به هنگام کار کردن با تیغه های تیز مخصوص برش ، خالی کردن کاسه و همچنین در طول مدت تمیز کردن ، همیشه باید دقت کرد.
- توجه: به هنگام کار کردن با تیغه های تیز مخصوص برش ، خالی کردن کاسه و همچنین در طول مدت تمیز کردن ، همیشه باید دقت کرد.
- همیشه تیغه مخصوص خرد کردن (۱۵) را با بخش پلاستیکی آن به دست بگیرید.
- توجه: به هنگام خمیر زنی، از دستگاه به مدت بیش از ۲۰ ثانیه استفاده نکنید. پیش از بکار انداختن مجدد دستگاه حداقل به مدت ۲۰ ثانیه به آن استراحت دهید.
- نکته: به هنگام زدن و پف دادن، از حداکثر سرعت استفاده کنید.
- آب میوه گیر ( مخصوص مرکبات ) ( شکل ه)
- کاسه مخصوص غذا ساز (۱۱) را روی بدنه اصلی دستگاه (۳) قرار داده و بخش های آبمیوه گیر را روی هم سوار کنید.
- مرکبات را به دو نیمه برش دهید
- دستگاه را به منبع تغذیه برق مناسب وصل کنید.
- دکمه کنترل سرعت (۵) را روی سرعت حداقل قرار دهید.
- سمت برش خورده مرکبات را روی سر دستگاه آبمیوه گیر (۳۲) قرار دهید.
- هنگامی که آبمیوه گیری به اتمام رسید، دستگاه را خاموش کرده و صبر کنید تا بخش های متحرک آن متوقف شوند.
- سر مخصوص آبمیوه گیری و فیلتر را از دستگاه خارج کنید.
- کاسه (۱۱) را از روی دستگاه برداشته آبمیوه تهیه شده را در ظرف مناسب بریزید
- برای میوه های نرم، دکمه کنترل سرعت (۵) را روی سرعت حداقل و برای میوه های سفت آنرا روی سرعت حداکثر قرار دهید.

- محفظه مخصوص نگهداری تیغه ها ( شکل د)
  - تمامی شش تیغه (۲۴، ۲۵، ۲۶، ۲۷، ۲۸ یا ۲۹) را در داخل سوراخ های تعبیه شده در بخش نگهداری تیغه ها (۳۷) قرار دهید.
  - روکش محافظ (۳۸) را روی تیغه ها قرار دهید.
  - بخش نگهداری تیغه ها را می توان روی دری دستگاه غذا ساز (۳۵) نگهداری کرد.
- نحوه استفاده

### مخلوط کردن ( شکل الف)

- مواد غذایی را در داخل مخلوط کن بریزید.
  - درب (۱۹) را روی پارچ (۱۸) قرار داده و پیمانه (۲۰) را در داخل روزنه روی درب قرار دهید.
  - مخلوط کن و کاسه دستگاه غذا ساز را به بدنه اصلی آن وصل کنید.
  - دستگاه را به منبع تغذیه الکتریکی مناسب وصل کنید.
  - با چرخاندن دگمه کنترل سرعت (۵) روی سرعت مورد نظر و یا با فشار دادن دگمه " Turbo / Pulse" (۴) دستگاه شروع بکار خواهد کرد.
- توجه: همیشه فقط زمانی مخلوط کن را بکار بیاندازید که درب آن در سر جای خود قرار گرفته باشد.
- توجه: به هنگام مخلوط کردن مایعات داغ، سر پیمانه را خالی بگذارید
- توجه: هنگامی که مخلوط کن خالی است و یا بیش از ۱۰۰۰ لیتر مایع در داخل آن قرار دارد، هرگز دستگاه را بکار نیانداخته و مورد استفاده قرار ندهید.
- آسیاب ( شکل ب)
- مواد غذایی را در داخل محفظه آسیاب کن (۲۱) بریزید.
  - درب (۲۲) را روی محفظه قرار داده و سپس آسیاب و درب آن را روی بدنه اصلی دستگاه قرار دهید.
- راهنمای تهیه مواد غذایی
- نوع ماده غذایی
- مدت زمان کار دستگاه سرعت وزن
- دانه های فلفل و قهوه ۲۵-۱۵ ثانیه ۱۰-۴۰ گرم
- پالس ۳۵-۲۵ ثانیه ۱۵-۵۰ گرم
- تیغه های مخصوص هم زدن، خمیر زدن، و خرد کردن ( شکل ج)
- کاسه دستگاه غذا ساز را روی بدنه اصلی دستگاه قرار دهید (۳).
  - تیغه مخصوص زدن و پف انداختن (۱۳)، تیغه مخصوص خمیر زنی (۱۴) یا تیغه مخصوص خرد کردن (۱۵) را روی محور (۶) قرار دهید.
  - مواد غذایی را داخل کاسه ریخته و درب (۱۲) را سر جای خود قرار دهید.
  - دستگاه را به منبع تغذیه برق مناسب وصل کنید.
  - با چرخاندن دگمه کنترل سرعت (۵) روی سرعت مورد نظر و یا با فشار دادن دگمه " Turbo / Pulse" (۴) دستگاه شروع بکار خواهد کرد.
  - شما می توانید از دسته فشارنده (۱۰) برای اضافه کردن مواد غذایی به داخل کاسه دستگاه غذا ساز (۱۲) از طریق روزنه موجود روی آن استفاده کنید.
  - هنگامی که مواد غذایی آماده شد، پیش از خارج کردن مواد غذایی، تیغه را از کاسه خارج کنید.
  - پس از تمیز کردن دستگاه، همیشه درپوش محافظ (۱۴) را روی تیغه خردکردن فلزی (۱۵) قرار دهید.

قطعه آبیوه گیر (شکل ه)

**نکته:** در صورت عدم قرار گیری صحیح و قفل شدن

درب (۳۵) در سر جای خود، دستگاه شروع بکار نخواهد کرد.

**توجه:** هنگامی که یک قطعه جانبی به کاسه وصل می باشد، همیشه دسته فشارنده را در سر جای خود نگاه دارید

قطعات مخصوص برش، رنده کردن و ریز کردن ( شکل د)

● روکش محافظ دستگاه (۱) را بسته و آن را به سمت پائین فشار دهید تا در سر جای خود محکم شود.

● حال کاسه (۱۱) را روی محور دستگاه (۶) قرار دهید.

● تیغه های مورد نظر (۲۴، ۲۵، ۲۶، ۲۷، ۲۸ یا ۲۹) را در داخل حامل تیغه قرار دهید. لبه کوتاه و تخت تیغه ها باید ابتدا در داخل روزنه چهارگوش روی بخش حامل قرار گیرد و سپس لبه های منحنی شکل باید با دقت به پائین فشار داده شود تا در سر جای خود محکم شود.

● حامل تیغه ها (۳۰) را روی محور قرار دهید.

● درب (۱۲) را روی کاسه (۱۱) قرار داده و آنرا در جهت عقربه های ساعت بچرخانید تا در سر جای خود محکم شود.

● دسته فشارنده (۱۷) را در داخل روزنه روی درب (۱۲) قرار دهید.

● جهت برداشتن این بخش از روی دستگاه، ابتدا دستگاه خاموش کرده و منتظر بمانید تا تمامی بخش های متحرک دستگاه متوقف شوند. سپس درب (۱۲) را از روی دستگاه بردارید.

● با استفاده از ۲ سوراخ ارائه شده حامل تیغه ها را از دستگاه خارج کنید.

**توجه:** هنگامی که یک قطعه جانبی به کاسه وصل می باشد، همیشه دسته فشارنده را در سر جای خود نگاه دارید

**نکته:** در صورت عدم قرار گیری صحیح و قفل شدن

درب (۳۵) در سر جای خود، دستگاه شروع بکار نخواهد کرد.

**توجه:** به هنگام کار کردن با تیغه های تیز مخصوص برش، خالی کردن کاسه و همچنین در طول مدت تمیز کردن، همیشه باید دقت کرد.

● روکش محافظ دستگاه (۱) را بسته و آن را به سمت پائین فشار دهید تا در سر جای خود محکم شود.

● حال کاسه (۱۱) را روی محور دستگاه (۶) قرار دهید.

● فیلتر آبیوه گیر (۳۱) را روی محور (۶) قرار داده و آنرا در خلاف جهت عقربه های ساعت بچرخانید تا از قرار گیری صحیح آن در سر جای خود اطمینان حاصل شود.

● حال سر دستگاه آبیوه گیری (۳۲) را روی محور قرار دهید.

● جهت برداشتن این بخش از روی دستگاه، ابتدا دستگاه خاموش کرده و منتظر بمانید تا تمامی بخش های متحرک دستگاه متوقف شوند. سپس این بخش را در جهت عقربه های ساعت بچرخانید و آنرا از روی دستگاه بردارید.

**نکته:** در صورت عدم قرار گیری صحیح و قفل شدن فیلتر (۳۱) در سر جای خود، دستگاه شروع بکار نخواهد کرد.

**آبیوه گیر به روش گریز از مرکز ( شکل و)**

● روکش محافظ دستگاه (۱) را بسته و آن را به سمت پائین فشار دهید تا در سر جای خود محکم شود.

● حال کاسه (۱۱) را روی محور دستگاه (۶) قرار دهید.

● بخش های الک (۳۳ و ۳۴) را در کنار هم قرار داده و آنها را در داخل کاسه (۱۱) قرار دهید.

● درب آبیوه گیر به روش گریز از مرکز (۳۵) را روی کاسه قرار داده و آنرا در خلاف جهت عقربه های ساعت بچرخانید تا در سر جای خود محکم شود. حال دسته فشارنده (۳۶) را در داخل روزنه روی درب قرار دهید.

● جهت برداشتن این بخش از روی دستگاه، ابتدا دستگاه خاموش کرده و منتظر بمانید تا تمامی بخش های متحرک دستگاه متوقف شوند. سپس درب (۳۵) را در جهت عقربه های ساعت بچرخانید و آنرا از روی دستگاه بردارید.

● فیلتر را خارج کنید.

- حال روکش محافظ دستگاه (۱) را بسته و آن را به سمت پائین فشار دهید تا در سر جای خود محکم شود.
- توجه: به هنگام استفاده از بخش آسیاب کن، هیچگونه قطعه جانبی دیگری را به کاسه دستگاه غذا ساز وصل نکنید.
- توجه: در صورت خالی بودن آسیاب کن، هرگز دستگاه را مورد استفاده قرار ندهید.
- تیغه های جانبی مخصوص هم زدن، برش و خمیر زنی (شکل ج)
- روکش محافظ دستگاه (۱) را بسته و آن را به سمت پائین فشار دهید تا در سر جای خود محکم شود.
- حال کاسه مخصوص غذا ساز (۹) را روی محور دستگاه (۶) قرار دهید.
- قطعه مورد نظر (۱۳، ۱۴، ۱۵) را روی محور (۶) قرار داده و آنرا بچرخانید تا قرار گیری صحیح آن در سر جای خود اطمینان حاصل شود.
- درب (۱۲) را روی کاسه (۱۱) قرار داده و آنرا را در جهت عقربه های ساعت بچرخانید تا سر جای خود محکم شود.
- دسته فشارنده (۱۷) را در داخل روزنه داخل درب (۱۲) قرار دهید.
- جهت برداشتن قطعه مورد نظر از روی دستگاه، ابتدا آنرا خاموش کرده و منتظر بمانید تا تمامی بخش های متحرک دستگاه متوقف شوند. سپس درب دستگاه غذا ساز (۱۲) را بردارید.
- قطعه مخصوص هم زدن و پف انداختن را از دستگاه خارج کنید.
- نکته: هرگز از این قطعه برای زدن خمیر استفاده نکنید.
- توجه: هنگامی که یک قطعه جانبی به کاسه وصل می باشد، همیشه دسته فشارنده را در سر جای خود نگاه دارید
- نکته: در صورت عدم قرار گیری صحیح و قفل شدن درب (۳۵) در سر جای خود، دستگاه شروع بکار نخواهد کرد.
- توجه: به هنگام کار کردن با تیغه های تیز مخصوص برش، خالی کردن کاسه و همچنین در طول مدت تمیز کردن، همیشه باید دقت کرد.
- نکته: در صورت عدم قرار گیری صحیح و قفل شدن درب مخلوط کن در سر جای خود، دستگاه شروع بکار نخواهد کرد.
- جهت برداشتن مخلوط کن از روی دستگاه، ابتدا آنرا خاموش کرده و منتظر بمانید تا تمامی بخش های متحرک دستگاه متوقف شوند. سپس درب دستگاه غذا ساز (۱۲) را بردارید.
- مخلوط کن را در جهت عقربه های ساعت چرخانده و آنرا از روی دستگاه بردارید.
- حال روکش محافظ دستگاه (۱) را بسته و آن را به سمت پائین فشار دهید تا در سر جای خود محکم شود.
- توجه: به هنگام استفاده از بخش مخلوط کن، هیچگونه قطعه جانبی دیگری را به کاسه دستگاه غذا ساز وصل نکنید.
- توجه: در صورت خالی بودن مخلوط کن، هرگز دستگاه را مورد استفاده قرار ندهید.
- آسیاب کن (شکل ب)
- دکمه آزاد کننده روکش محافظ (۲) را فشار داده و روکش محافظ (۱) را بلند کنید تا در وضعیت باز قرار گیرد
- مواد غذایی را در داخل ظرف آسیاب کن (۱۰) ریخته، سپس آنرا روی بدنه اصلی دستگاه (۳) قرار داده و درب آنرا (۲۲) در خلاف جهت عقربه های ساعت بچرخانید تا سر جای خود محکم شود.
- حال کاسه مخصوص غذا ساز (۹) را روی محور دستگاه (۶) قرار دهید. درب (۱۲) را در جهت عقربه های ساعت بچرخانید تا سر جای خود محکم شود.
- نکته: در صورت عدم قرار گیری صحیح و قفل شدن بخش آسیاب کن در سر جای خود، دستگاه شروع بکار نخواهد کرد.
- جهت برداشتن آسیاب کن از روی دستگاه، ابتدا آنرا خاموش کرده و منتظر بمانید تا تمامی بخش های متحرک دستگاه متوقف شوند. سپس درب دستگاه غذا ساز (۱۲) را بردارید.
- آسیاب کن را در جهت عقربه های ساعت بچرخانید و آنرا از روی دستگاه بردارید.

## بخش های مختلف دستگاه

- ۱ روکش محافظ
  - ۲ دگمه آزاد کننده روکش محافظ
  - ۳ بدنه اصلی دستگاه
  - ۴ دگمه ضربانی افزایش قدرت
  - ۵ دگمه مخصوص کنترل سرعت
  - ۶ محور
  - ۷ قطعه مخصوص آمبیوه گیری
  - ۸ قطعه مخلوط کن
  - ۹ کاسه دستگاه غذا ساز
  - ۱۰ ظرف مخصوص آسیاب خشک
  - ۱۱ کاسه
  - ۱۲ درب دستگاه غذا ساز
  - ۱۳ تیغه مخصوص زدن و پف انداختن
  - ۱۴ تیغه مخصوص خمیر زنی
  - ۱۵ تیغه مخصوص خرد کردن
  - ۱۶ روکش محافظ تیغه خرد کن
  - ۱۷ دسته فشارنده
  - ۱۸ پارچ مخلوط کن
  - ۱۹ درب مخلوط کن
  - ۲۰ پیمانه اندازه گیری
  - ۲۱ محفظه آسیاب خشک
  - ۲۲ درب محفظه آسیاب خشک
  - ۲۳ کفگیر
  - ۲۴ تیغه مخصوص خرد کردن ریز
  - ۲۵ تیغه مخصوص خرد کردن درشت
  - ۲۶ تیغه مخصوص برش کلفت
- ۲۷ تیغه مخصوص برش نازک
- ۲۸ تیغه مخصوص رنده کردن
- ۲۹ تیغه مخصوص تهیه سیب زمینی سرخ کرده
- ۳۰ حامل تیغه
- ۳۱ فیلتر مخصوص آمبیوه گیری
- ۳۲ سر دستگاه آمبیوه گیری
- ۳۳ بخش داخلی الک آمبیوه گیری به روش گریز از مرکز
- ۳۴ بخش خارجی الک آمبیوه گیری به روش گریز از مرکز
- ۳۵ درب آمبیوه گیر
- ۳۶ دسته فشارنده آمبیوه گیر
- ۳۷ محفظه نگهداری تیغه ها
- ۳۸ درپوش محفظه نگهداری تیغه ها
- نصب و سر هم بندی**
- توجه!** پیش از اقدام به نصب و سر هم بندی قطعات، از خاموش بودن دستگاه و عدم اتصال آن به پریز برق اطمینان حاصل کنید.
- نحوه سوار کردن و باز کردن یک قطعه**
- تیغه مخصوص مخلوط کردن ( شکل الف)**
- دگمه آزاد کننده روکش محافظ (۲) را فشار داده و روکش محافظ (۱) را بلند کنید تا در وضعیت باز قرار گیرد
  - مخلوط کن (۸) را در داخل بدنه اصلی دستگاه (۳) قرار داده و آنرا در خلاف جهت عقربه های ساعت بچرخانید تا سر جای خود محکم شود.
  - حال کاسه مخصوص غذا ساز (۹) را روی محور دستگاه (۶) قرار دهید. درب (۱۲) را در جهت عقربه های ساعت بچرخانید تا سر جای خود محکم شود.

## ایمنی دیگران

- هرگز به کودکان یا افرادی که به کار با این دستورات عمل ها آشنایی ندارند اجازه ندهید که از دستگاه استفاده کنند.
- هرگز به کودکان و یا حیوانات اجازه نزدیک شدن و یا لمس دستگاه یا سیم برق آن را ندهید.
- به هنگام استفاده از دستگاه در جایی که کودکان در آن حضور دارند، باید توجه و نظارت کاملی مد نظر قرار گیرد.
- این دستگاه برای استفاده افرادی که از معلولیت فیزیکی و ذهنی رنج می برند (از جمله کودکان) و یا اشخاصی که از تجربه و دانش کافی برای استفاده از این دستگاه برخوردار نیستند مناسب نمی باشد، مگر اینکه توسط شخصی که مسئولیت ایمنی آنها را به عهده دارد به آنها در این زمینه آموزش لازم داده شده یا به کار آنها نظارت شود.
- همواره باید بگونه ای به کار کودکان نظارت کرد تا با این وسیله بازی نکنند.

## پس از استفاده

- همواره پیش از اقدام به تمیز کردن، تعویض قطعات و یا نزدیک شدن به بخش های متحرک دستگاه، آنرا خاموش نمائید.
  - همواره پیش از دور شدن از دستگاه و یا پیش از تعویض، تمیز نمودن یا بازرسی بخش های مختلف آن، دستگاه را خاموش نموده و آنرا از پریز برق خارج نمائید.
  - هنگامی که از دستگاه استفاده نمی شود باید از آن در مکانی خشک نگهداری نمود. بچه ها نباید به وسایل و تجهیزات انبار و یا به کناری گذاشته شده دسترسی داشته باشند.
- جهت پیشگیری از بروز شوک الکتریکی هرگز سیم برق، دو شاخه و یا موتور دستگاه را در آب یا سایر مایعات غوطه ور نکنید.

## بازبینی و تعمیرات

- پیش از استفاده، دستگاه را از بابت وجود قطعات خراب و یا معیوب امتحان کنید. از عدم شکستگی قطعات دستگاه، صدمه کلیدها و هرگونه عاملی که کارکرد صحیح دستگاه را تحت تاثیر قرار می دهند اطمینان یابید.
- تمامی بسته بندی های دور دستگاه را بردارید
- دستگاه را پیش از استفاده برای اولین باز، تمیز کنید.

## نحوه باز کردن بسته بندی دستگاه

- تمامی بسته بندی های دور دستگاه را بردارید
- دستگاه را پیش از استفاده برای اولین باز، تمیز کنید.

## ایمنی الکتریکی

این دستگاه بر مبنای استاندارد EN 60335



دارای عایق بندی مضاعف می باشد؛

بنابراین نیازی به وجود کابل اتصال به زمین نمی باشد. همواره پیش از شروع بکار دستگاه، از همخوانی ولتاژ برق شهری با ولتاژ مشخص شده روی لوح مشخصات فنی دستگاه اطمینان حاصل کنید.



جهت پیشگیری از بروز شوک الکتریکی هرگز سیم برق، دو شاخه و یا موتور دستگاه را در آب یا سایر مایعات غوطه ور نکنید.



## مورد مصرف

• هرگز به بخش های در حال حرکت دستگاه دست نزنید. همواره لباسهای گشاد و موها را از بخش های متحرک دستگاه دور نگه دارید.

• سیم برق دستگاه را با سلیقه و بگونه ای مورد استفاده قرار دهید که از لبه های میز آویزان نمانده، تا به طور اتفاقی به دست و پا گیر نکرده و موجب سقوط دستگاه نگردد.

• برای خارج کردن دو شاخه دستگاه از پریز برق، هرگز سیم آنرا نکشیده و یا آنرا با فشار و بطور ناگهانی از پریز خارج نکنید. همواره سیم برق دستگاه را از گرما، روغن و لبه های تیز دور نگه دارید.

• همیشه پیش از خارج کردن دستگاه از پریز برق، ابتدا آنرا خاموش کرده و اجازه دهید تا موتور آن متوقف گردد.

• در صورتیکه دستگاه کماکان به برق متصل می باشد اقدام به جدا کردن بخش ها و قطعات جانبی آن نکنید. برای اینکار همیشه در ابتدا دستگاه را از پریز برق خارج کنید.

• در صورتیکه سیم برق دستگاه به هنگام استفاده صدمه ببیند، دستگاه را بلافاصله از برق بکشید. در این حالت هرگز قبل از کشیدن دستگاه از برق، به سیم برق آن دست نزنید.

• هنگامی که از دستگاه استفاده نمی کنید، پیش از اقدام به تمیز کردن، و یا به هنگام نصب و تعویض قطعات آن، دو شاخه دستگاه را از پریز برق خارج کنید.

• عدم استفاده صحیح از دستگاه ممکن است باعث بروز صدمات شود.

• همواره لباسهای گشاد، مو، جواهرآلات و از این قبیل را از بخش های متحرک دستگاه دور نگه دارید.

• به هنگام تماس با تیغه های برش، مخصوصا به هنگام خارج کردن آنها و به هنگام تمیز کردن دستگاه باید بسیار دقت کرد.

دستگاه غذا ساز بلک اند دکر شما برای تهیه مواد غذایی و نوشیدنی هایی که در این دفترچه راهنما به آنها اشاره شده، طراحی گردیده است. از بکارگیری دستگاه برای هر گونه منظور دیگر پرهیز نمائید. این وسیله تنها جهت مصارف داخلی منزل طراحی گردیده است

## دستورالعمل های ایمنی مهم

**توجه!** به هنگام کار با وسایل برقی، موارد پیشگیرانه ایمنی پایه زیر را باید همواره در نظر داشت تا خطر بروز آتش سوزی، شوک الکتریکی، صدمات فردی و همچنین خرابی دستگاه کاهش یابد.

پیش از شروع بکار با دستگاه، تمامی دستورالعمل های این راهنما را به دقت مطالعه کنید.

• موارد استفاده از دستگاه در این دفترچه راهنما توضیح داده شده است. استفاده از هرگونه قطعه یا لوازم جانبی یا استفاده از دستگاه برای کاربردهایی به غیر از آنچه در این دفترچه راهنما توصیه شده خطرناک بوده و خطر صدمه فردی را به همراه خواهد داشت.

• این دفترچه راهنما را جهت مراجعات بعدی در جایی مناسب نگهداری نمائید.

## استفاده از دستگاه

• دقت کنید که دستگاه پیش از اتصال یا به هنگام خارج کردن آن از پریز برق، خاموش باشد.

• رعایت دقت به هنگام استفاده از دستگاه همواره امری ضروری بشمار می رود.

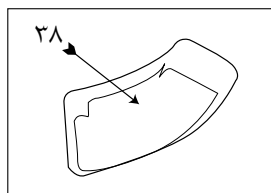
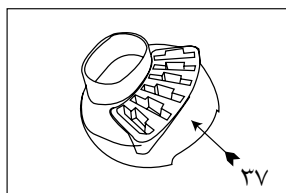
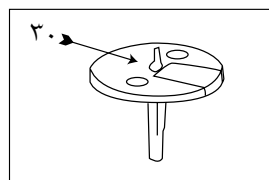
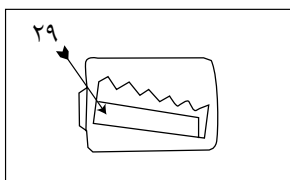
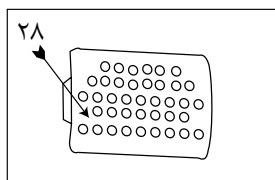
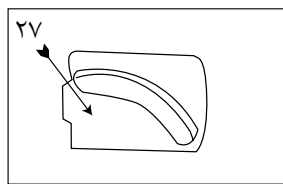
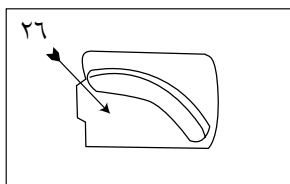
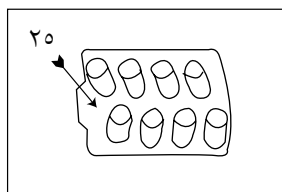
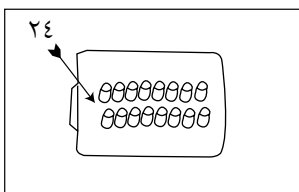
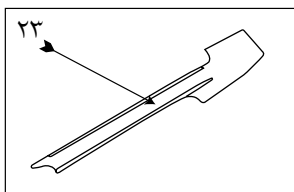
• هرگز از دستگاه برای مصارف خارج از منزل استفاده نکنید.

• بدنه موتور دستگاه را از آب یا رطوبت بیش از حد دور نگه دارید.

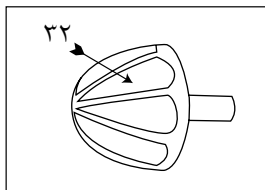
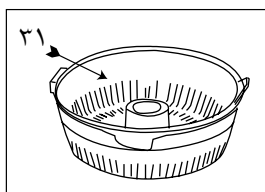
• در صورتی که دست های شما خیس است، از دستگاه استفاده نکنید

• در صورتی که پابرهنه هستید، از دستگاه استفاده نکنید.

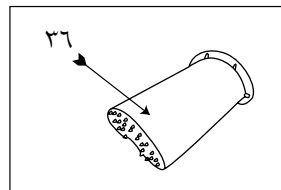
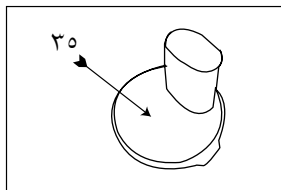
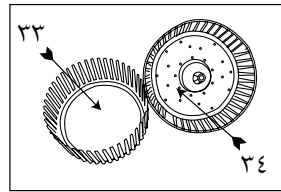
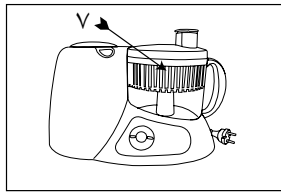
(الشکل د)



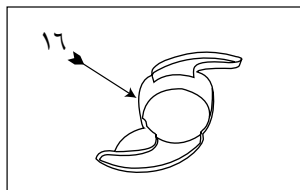
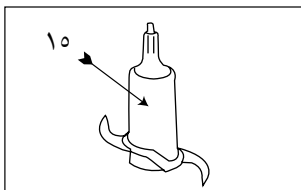
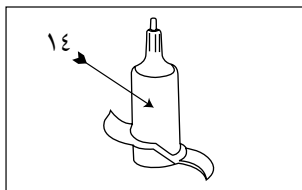
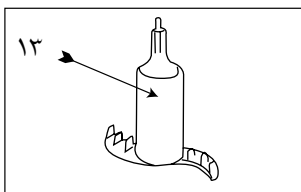
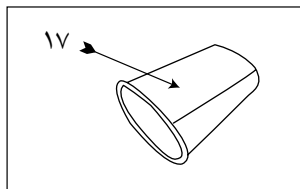
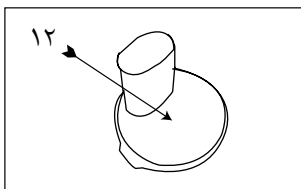
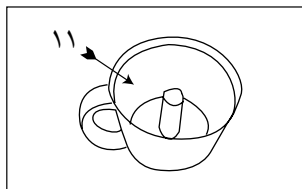
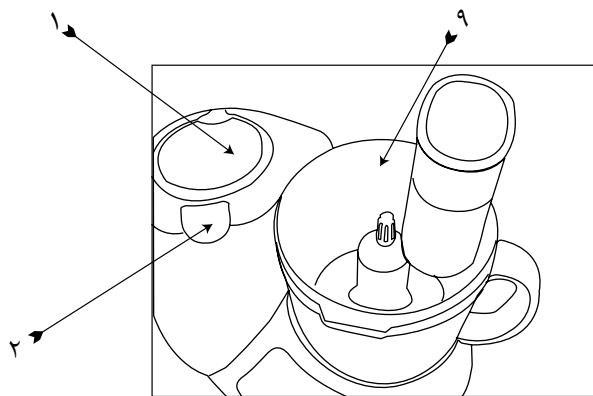
(الشکل ه)



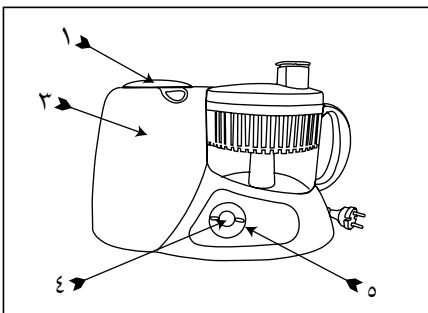
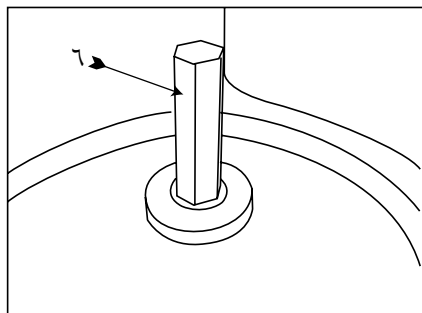
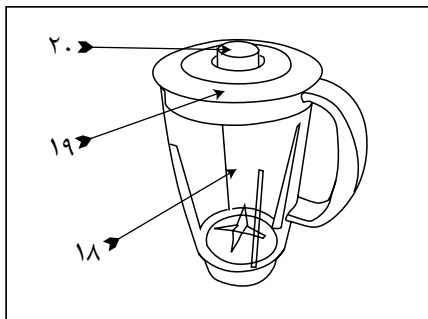
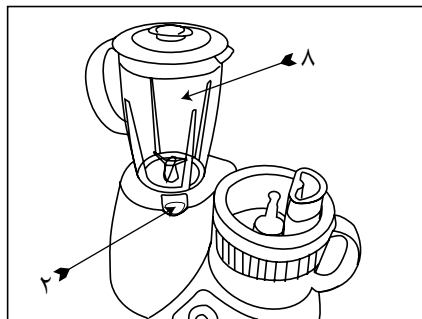
(الشکل و)



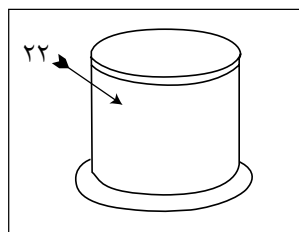
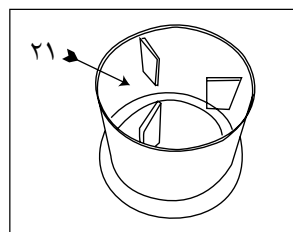
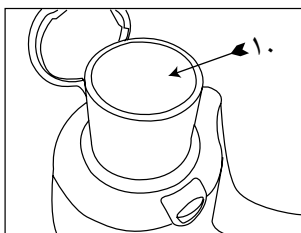
الشكل ج



(الشكل أ)



الشكل ب



## دستور العمل های ایمنی مهم

- به هنگام کار با وسایل برقی، موارد پیشگیرانه ایمنی پایه زیر را باید همواره در نظر داشت تا خطر بروز آتش سوزی، شوک الکتریکی، صدمات فردی و همچنین خرابی دستگاه کاهش یابد:
- تمامی دستور العمل های این راهنما را حتی در صورتی که به کار با دستگاه آشنائی دارید، به دقت مطالعه نمایید.
- جهت محافظت در برابر خطر شوک الکتریکی، هرگز وسیله برقی، سیم و یا پرین آنرا در داخل آب یا هر گونه مایعات دیگر غوطه ور نسازید.
- جهت تمیز نمودن دستگاه، بخش خارجی آنرا با یک پارچه مرطوب پاک نمایید.
- استفاده از دستگاه در جایی که کودکان در آن حضور دارند مستلزم توجه و نظارت کامل می باشد. هرگز در زمان استفاده از دستگاه، آن را بدون مراقبت رها ننمائید.
- در صورتیکه سیم برق و یا دو شاخه دستگاه خراب شده باشد آن به نزدیک ترین مرکز سرویس و تعمیر مجاز و یا اشخاص متخصص تحویل دهید تا مورد تعمیر قرار گرفته و از بروز خطر نیز جلوگیری گردد.
- قبل از تعویض قطعات، پاک کردن و یا بازرسی و تعمیر هر بخش از دستگاه، آنرا خاموش نموده و از برق خارج نمائید. هرگز برای خارج نمودن دستگاه از پرین برق، سیم آنرا نکشیده و یا آنرا با فشار و بطور ناگهانی از پرین خارج ننمائید.
- در صورتیکه سیم برق و یا دو شاخه به هر صورت ممکن صدمه دیده است، هرگز آنرا مورد استفاده قرار ندهید. جهت جلوگیری از بروز هر گونه خطر، دستگاه را با تمامی بخش های آن به نزدیک ترین مرکز سرویس و تعمیر مجاز تحویل دهید تا تعمیرات الکتریکی، مکانیکی و یا تنظیم در مورد آن انجام پذیرفته و از این گذر از بروز هر گونه خطر نیز جلوگیری گردد.
- استفاده از تجهیزات و لوازم جانبی که توسط تولید کننده دستگاه توصیه نشده و بفروش نمی رسد ممکن است باعث بروز آتش سوزی، شوک الکتریکی و یا صدمات فردی گردد.
- هرگز اجازه ندهید تا سیم برق دستگاه از لبه های میز یا پیشخوان آویزان مانده و یا با سطوح داغ در تماس باشد.
- از لمس کردن سطوح داغ دستگاه پرهیز ننمائید. برای اینکار همیشه از دستگیره و دسته استفاده ننمائید.
- از بکار بردن و یا قرار دادن بخش های این دستگاه در مجاورت و یا روی سطوح داغی (از قبیل خوراک پزهای الکترونیکی و یا در داخل فر داغ) جداً پرهیز ننمائید.
- هرگز سیم برق دستگاه را بگونه ای غلط مورد استعمال قرار ندهید. از بلند کردن دستگاه توسط سیم برق آن پرهیز نموده و برای جدا نمودن دستگاه از پرین برق، سیم آنرا نکشیده و یا آنرا با فشار و بطور ناگهانی از پرین خارج ننمائید. برای اینکار دو شاخه دستگاه را گرفته و آنرا از برق خارج ننمائید.
- به هنگام استفاده از سیم رابط با دستگاه خود، از تناسب سیم با مورد مصرف مورد نظران اطمینان یابید.
- این دستگاه تنها برای مصارف داخلی منزل طراحی شده است.
- هرگز شخصاً جهت تعمیر دستگاه اقدام ننمائید. برای این منظور دستگاه خود را به نزدیکترین مرکز خدمات و سرویس بلک اند دکر و یا مراکز سرویس و خدمات مجاز تحویل دهید.

این دستور العمل ها را جهت مراجعات بعدی در مکانی مطمئن نگهداری ننمائید

## حماية البيئة



يجب عدم التخلص من هذا المنتج مع بقية النفايات المنزلية.

إذا وجدت في يوم من الأيام أنك بحاجة لشراء جهاز بلاك أند ديكر جديد، أو لم تعد بحاجة للجهاز القديم، لا تتخلص منه مع النفايات المنزلية الأخرى. جهز هذا المنتج للإستلام المنفصل.

الإستلام المنفصل للمنتجات المستعملة ومواد التغليف يسمح بإعادة تصنيع المواد واستعمالها من جديد. إستعمال المواد المعاد تصنيعها يساعد على منع التلوث البيئي ويقلل الطلب على المواد الأولية.

الأنظمة المحلية قد تنص على ضرورة الإستلام المنفصل للمنتجات الكهربائية من المنازل، في مواقع البلدية للنفايات أو بواسطة بائع التجزئة عندما تشتري منتجاً جديداً.

توفر بلاك أند ديكر التسهيلات لاستلام وإعادة تصنيع منتجات بلاك أند ديكر عندما تصل إلى نهاية حياتها العملية. للإستفادة من هذه الخدمة، يرجى إعادة جهازك إلى أي وكيل تصليح معتمد والذي سيقوم باستلامه بالنيابة عنا. يمكنك معرفة موقع أقرب وكيل تصليح معتمد بالنسبة لك بمراجعة مكتب بلاك أند ديكر المحلي على العنوان المبين في هذا الكتيب. تتوفر قائمة بأسماء وكلاء التصليح المعتمدين من بلاك و ديكر، كما تتوفر تفاصيل كاملة عن خدمات ما بعد البيع وعناوين الاتصال على شبكة الإنترنت [www.2helpU.com](http://www.2helpU.com) : نت

## ضمان شامل لمدة سنتين لأجهزة BLACK & DECKER المنزلية

تمنح Black & Decker ضماناً شاملاً مدته سنتين لهذا المنتج اعتباراً من تاريخ الشراء. يغطي الضمان عيوب التصنيع أو المواد الداخلة في التصنيع. وفي حالة إصابة المنتج بأي عطل أثناء فترة الضمان، سنقوم شركة بإصلاحه أو (وفقاً لتقدير Black & Decker) استبداله مجاناً.

لا يغطي الضمان الأعطال الناتجة عن الحوادث، سوء الاستعمال، الإهمال، الاستعمال الخاطئ، أو عدم اتباع النظم المعمول بها محلياً. كذلك، لا تطبق شروط الضمان إذا تمت صيانة أو تصليح المنتج لدى طرف غير معتمد من قبل شركة Black & Decker و في حالة اسخدام قطع غيار بدون الرجوع إلى الشركة أو الحصول على موافقتها، وتسببت هذه القطع في العطل. وإذا توقف إنتاج أي طراز مع عدم وجود البديل المناسب، فإن لشركة Black & Decker حق اختيار إصلاح المنتج أو استبداله بطراز آخر بنفس القيمة الشرائية.

### عند الشراء

املاً بطاقة تسجيل الضمان مع التأكد من وجود الختم الأصلي للتاجر المعتمد (وتوضيح تاريخ الشراء) ثم ارفق إيصال الشراء بالبطاقة. الرجاء الاحتفاظ بهما لإبرازهما في حالة وجود مطالبات في المستقبل.

### عملية المطالبة

خذ المنتج المعطل مع بطاقة الضمان وإيصال الشراء بنفسك إلى مركز الصيانة المحلي أو يمكنك إرساله بالبريد المدفوعة أجرته سلفاً. وفي حالة إرسال الجهاز بالبريد أو الشحن، تأكد من تفرغ المنتج من الماء كلياً وقم بتغليفه جيداً في صندوق كرتوني مقوى مع إضافة مواد تغليف لملء الفراغات لتفادي إصابته بأي ضرر. ارفق ملاحظة تصف فيها المشكلة لمركز الصيانة وتأكد من كتابة عنوانك.

صمم للاستعمالات المنزلية فقط.

## التشغيل وإيقاف التشغيل

- امسح الوحدة الرئيسية (٢) باستخدام قطعة قماش مبللة. لا تستخدم منظفات المواد المذيبة أو المواد الكاشطة. وتأكد من جفاف الوحدة تمامًا قبل إعادة استخدامها.
- ينبغي دائمًا تنظيف الجهاز على الفور عقب الاستخدام. وينبغي عدم ترك الأطعمة حتى تجف فوق الشفرات؛ حيث يزيد ذلك من صعوبة عملية التنظيف.

## البيانات الفنية

FX1000		
الجهد	فولت تيار مباشر	٢٣٠
مدخل الطاقة	وات	١٠٠٠
الوزن	كجم	٤,٩

- لتشغيل الجهاز لفترة قصيرة، اضغط على زر "التريبيئة/النبض" (Turbo/Pulse) (٤). سوف يتوقف الجهاز عن التشغيل بمجرد تحرير زر "التريبيئة/النبض" (Turbo/Pulse).
- للتشغيل المستمر، قم بإدارة مفتاح السرعات (٥) تجاه السرعة المطلوبة. سوف يتوقف الجهاز عن التشغيل بمجرد إعادة المفتاح إلى وضع "0" (Off) (إيقاف).
- لزيادة السرعة، يمكن الضغط على زر "التريبيئة/النبض" (Turbo/Pulse) لفترة قصيرة أثناء المعالجة. للعودة إلى السرعة السابقة، قم بتحرير الزر.

تحذير! يجب عدم تشغيل الجهاز بشكل متواصل أكثر من الفترات المحددة. وبعد تشغيل الجهاز للفترات المحددة، ينبغي ترك الجهاز حتى يبرد إلى مستوى درجة حرارة الغرفة قبل التشغيل مرة أخرى.

## التنظيف والصيانة

تحذير! يجب إيقاف الجهاز وفصله عن مصدر التيار الكهربائي قبل التنظيف أو الصيانة. ينبغي الحرص عند تنظيف الشفرات؛ حيث إنها حادة وتشكل خطورة.

تحذير! يجب عدم غمس الجهاز أو السلك أو القابس في الماء أو أي سائل آخر.

يتم غسل الوحدات المرفقة باستخدام ماء صابون دافئ وتجفيفها جيدًا.

## إعدادات وأوقات التشغيل

الوقت	السرعة	أنواع الطعام	الوظيفة	الوحدات المرفقة والأدوات
١٥-٢٠ ثانية	١٥ كحد أقصى	اللحوم، الخضروات، الجبن، الشيكولاتة	فرم	
٢٠ ثانية	٢٠ كحد أقصى	الحساء، المشروبات	مزج	
١٥-١٠ ثانية	٢٠-١٥	البطاطس والخضروات المطهية، الفاكهة	إعداد البوريه	
دقيقة كحد أقصى	٢٠ كحد أقصى	الفطائر، الكعك المدور	خلط	
دقيقة كحد أقصى	٥ كحد أقصى	الكعك		
٢٠ ثانية	٢٠ كحد أقصى	عجين الخبز	عجن	
٥-٦ ثانية	٥-٢٠	الخضروات، الجبن، البطاطس، الفاكهة	تشريح	
٥-٦ ثانية	١٥-٢٠	الخضروات، الجبن، البطاطس، الفاكهة، الشيكولاتة	تقطيع	
	١-٥	البطاطس	إعداد الرقائق	
	كحد أقصى	الجبن	برش	
١-٢ دقيقة	٢٠ كحد أقصى	البيض	خفق	
	٥-١٥	الفواكه الحمضية، البرتقال، العنب، الليمون، التقطيع إلى نصفين	عصر	
	كحد أقصى	جزر	عصر	
١٥ ثانية دقيقة واحدة	٢٠ كحد أقصى	الحساء، البوريه، المشروبات، مخفوق اللبن، مخيض اللبن	مزج/تسييل	
	٢٠ كحد أقصى	الفلفل/حبوب القهوة	ملحن جاف	



- ملاحظة: ينبغي توخي الحذر والحرص عند التعامل مع شفرات القطع الحادة وتفريغ السلطانية وأثناء التنظيف.
- ملاحظة: ينبغي دائماً التعامل مع شفرة الفرغ الحادة (١٥) من خلال الجزء البلاستيكي الموجود في وسطها.
- ملاحظة: عند عجن المعجن، لا تقم بتشغيل الجهاز أكثر من ٢٠ ثانية. انتظر على الأقل دقيقتين قبل تشغيل الجهاز مرة أخرى.
- ملاحظة: عند الخفق، استخدم أقصى سرعة.
- عَصَّارة الفاكهة (الشكل "ه")
- قم بتركيب سلطانية المعالج (١١) في الوحدة الرئيسية (٢) وقم بتركيب عَصَّارة الفاكهة.
- اقطع الفاكهة نصفين.
- قم بتوصيل الجهاز بمصدر تيار كهربائي مناسب.
- قم بإدارة مفتاح السرعات (٥) تجاه أدنى إعداد ضبط.
- اضغط برفق على وجه القطع في الفاكهة تجاه العَصَّارة (٢٢).
- عند اكتمال عملية العصر، قم بإيقاف الجهاز وانتظر حتى توقف جميع الأجزاء تماماً.
- قم بإزالة العَصَّارة والمصفاة.
- قم بإزالة السلطانية (١١) وصب العصير في وعاء مناسب.
- ملاحظة: ينبغي تشغيل عَصَّارة الفاكهة عند أدنى سرعة فقط.
- العَصَّارة العاملة بالطرد المركزي المرفقة (الشكل "و")
- قم بتركيب سلطانية المعالج (١١) في الوحدة الرئيسية (٢) وقم بتركيب العَصَّارة العاملة بالطرد المركزي.
- قم بتوصيل الجهاز بمصدر تيار كهربائي مناسب.
- قم بإدارة مفتاح السرعات (٥) تجاه إعداد ضبط متوسط بالنسبة للفاكهة الطرية وأقصى إعداد ضبط بالنسبة للفاكهة الصلبة.
- قم بإدخال المكونات في الفتحة الموجودة في الغطاء. يمكن استخدام وحدة الدفع (٢٥) لتوجيه المكونات إلى داخل المصفاة.
- في حالة انسداد وحدة استخراج العصير أثناء الاستخدام، قم بإيقاف تشغيل المعالج وقم بإزالة لب الثمار باستخدام ملعقة المزج والفرد.
- ملاحظة: ينبغي دائماً استخدام وحدة الدفع (٢٦) لتوجيه المكونات.
- ملاحظة: يُحظر نهائيًا إدخال الأصابع في الفتحة الموجودة في الغطاء.
- ملاحظة: ينبغي عدم استخدام الجهاز في حالة تلف المنخل الدوار.
- شفرات التقطيع والتشريح والفرم وإعداد الرقائق (الشكل "د")
- قم بتركيب الشفرة المطلوبة وقم بتركيب السلطانية، ثم قم بتركيب حامل الشفرات في الجهاز.
- قم بتركيب الغطاء.
- قم بتوصيل الجهاز بمصدر تيار كهربائي مناسب.
- قم بإدارة مفتاح السرعات (٥) تجاه أقصى إعداد ضبط.
- اضغط المكونات، باستخدام وحدة الدفع (٢٦)، إلى أسفل تجاه الشفرة.
- ملاحظة: ينبغي دائماً استخدام وحدة الدفع (٢٦) لتوجيه المكونات.
- ملاحظة: يُحظر نهائيًا إدخال الأصابع في الفتحة الموجودة في الغطاء.
- ملاحظة: ينبغي عدم الإفراط في تعبئة السلطانية.
- ملاحظة: ينبغي توخي الحذر والحرص عند التعامل مع شفرات القطع الحادة وتفريغ السلطانية وأثناء التنظيف.

- وحدة تخزين الشفرات (الشكل "د")
- ضع كل شفرة من الشفرات الست (٢٤ أو ٢٥ أو ٢٦ أو ٢٧ أو ٢٨ أو ٢٩) في الفتحات المخصصة لها في وحدة تخزين الشفرات (٢٧).
- قم بتركيب الغطاء (٢٨) فوق الشفرات.
- يمكن وضع وحدة تخزين الشفرات أعلى غطاء المعالج (٢٥) للتخزين.
- قم بتوصيل الجهاز بمصدر تيار كهربائي مناسب.
- يجب تشغيل المطحنة من خلال الضغط على زر "التربينة/النبض" (Turbo/Pulse) (٤).
- لا تقم بتشغيل الجهاز بشكل متواصل لأكثر من دقيقة واحدة.
- بعد التشغيل بشكل متواصل لمدة دقيقة واحدة، اترك الجهاز حتى يبرد لمدة ١-٢ دقيقة قبل التشغيل مرة أخرى.

## دليل الأطفعمة

## الاستخدام

- | المكونات       | وقت التشغيل | السرعة | الكمية    |
|----------------|-------------|--------|-----------|
| فلفل/حبوب قهوة | ١٥-٢٥ ثانية | ١٠     | ٤٠ جراماً |
- المزج (الشكل "أ")
  - ضع المكونات في وعاء المزج.
  - اضغط على الغطاء (١٩) فوق الوعاء (١٨) وقم بإدخال غطاء المعايير (٢٠) في الفتحة الموجودة في الغطاء.
  - قم بتركيب وعاء المزج وسلطانية المعالج في الوحدة الرئيسية.
  - قم بتوصيل الجهاز بمصدر تيار كهربائي مناسب.
  - يمكن تشغيل وعاء المزج من خلال إدارة مفتاح السرعات (٥) تجاه السرعة المطلوبة أو من خلال الضغط على زر "التربينة/النبض" (Turbo/Pulse) (٤).
  - ملاحظة: ينبغي دائماً تشغيل وعاء المزج مع وجود الغطاء في موضعه.
  - ملاحظة: عند مزج السوائل الساخنة، قم بتركيب غطاء المعايير (٢٠).
  - ملاحظة: يجب عدم القيام بتشغيل وعاء المزج وبه أكثر من ١٠٠٠ ملم من السائل أو عندما يكون فارغاً.
  - المطحنة (الشكل "ب")
  - ضع المكونات في المطحنة (٢١).
  - قم بتركيب الغطاء (٢٢) في الوعاء، ثم قم بتركيب مجمعة المطحنة وسلطانية المعالج والغطاء في الوحدة الرئيسية.
  - عند اكتمال عملية المعالجة، قم بإزالة الشفرة من السلطانية قبل إزالة المكونات المعالجة.
  - بعد التنظيف، يجب دائماً إعادة وضع الغطاء الواقي (١٤) فوق شفرة الفرغ المعدنية (١٥).

## عَصَاةُ الْفَاكِهَةِ (الشكل " هـ ")

ملاحظة: ينبغي دائماً ترك وحدة الدفع في موضعها عند تركيب وحدة مرفقة في السلطانية.

شفرات التقطيع والتشريح والبرش وإعداد الرقائق (الشكل " د ")

- أغلق غطاء الأمان (١) واضغط عليه لأسفل حتى يستقر في موضعه.
- ضع سلطانية المعالج (١١) فوق محور الدوران (٦).
- قم بتركيب مصفاة العصور (٢١) فوق محور الدوران (٦)، و قم بإدراجها في عكس اتجاه حركة عقارب الساعة حتى تستقر في موضعها.
- قم بتركيب العَصَاةُ (٢٢) فوق محور الدوران.
- لإزالة الوحدة المرفقة، قم بإيقاف الجهاز وانتظر حتى توقف جميع الأجزاء تماماً، ثم قم بإدارة الوحدة في عكس اتجاه حركة عقارب الساعة وارفعها من فوق الجهاز.

ملاحظة: لن يتم تشغيل عَصَاةُ الْفَاكِهَةِ إذا كانت المصفاة (٢١) غير مستقرة في موضعها.

## العَصَاةُ الْعَامِلَةُ بِالطَّرْدِ الْمَرْكَزِيِّ (الشكل " و ")

- أغلق غطاء الأمان (١) واضغط عليه لأسفل حتى يستقر في موضعه.
- ضع سلطانية المعالج (١١) فوق محور الدوران (٦).
- قم بتركيب أجزاء المنخل (٢٣ و ٢٤) معاً وضعهما داخل سلطانية المعالج (١١).
- قم بتركيب غطاء العَصَاةُ الْعَامِلَةُ بِالطَّرْدِ الْمَرْكَزِيِّ (٢٥) فوق السلطانية و قم بإدارة في عكس اتجاه حركة عقارب الساعة حتى تستقر في موضعه. ضع وحدة الدفع (٢٦) في الفتحة الموجودة في الغطاء.
- لإزالة الوحدة المرفقة، قم بإيقاف الجهاز وانتظر حتى توقف جميع الأجزاء تماماً، ثم قم بإزالة غطاء المعالج (١٢).
- ارفع حامل الشفرات من فوق الجهاز، باستخدام المفتحتين المزودتين فيه.

ملاحظة: ينبغي دائماً ترك وحدة الدفع في موضعها عند تركيب وحدة مرفقة في السلطانية.

ملاحظة: لن يتم تشغيل الجهاز إذا كان الغطاء (٢٥) غير مستقر في موضعه.

ملاحظة: ينبغي توخي الحذر والحرص عند التعامل مع شفرات القطع الحادة وتفريغ السلطانية وأثناء التنظيف.

• أغلق غطاء الأمان (١) واضغط عليه لأسفل حتى يستقر في موضعه.

• ضع سلطانية المعالج (١١) فوق محور الدوران (٦).

• قم بتركيب مصفاة العصور (٢١) فوق محور الدوران (٦)، و قم بإدراجها في عكس اتجاه حركة عقارب الساعة حتى تستقر في موضعها.

• قم بتركيب العَصَاةُ (٢٢) فوق محور الدوران.

• لإزالة الوحدة المرفقة، قم بإيقاف الجهاز وانتظر حتى توقف جميع الأجزاء تماماً، ثم قم بإدارة الوحدة في عكس اتجاه حركة عقارب الساعة وارفعها من فوق الجهاز.

ملاحظة: لن يتم تشغيل عَصَاةُ الْفَاكِهَةِ إذا كانت المصفاة (٢١) غير مستقرة في موضعها.

## العَصَاةُ الْعَامِلَةُ بِالطَّرْدِ الْمَرْكَزِيِّ (الشكل " و ")

• أغلق غطاء الأمان (١) واضغط عليه لأسفل حتى يستقر في موضعه.

• ضع سلطانية المعالج (١١) فوق محور الدوران (٦).

• قم بتركيب أجزاء المنخل (٢٣ و ٢٤) معاً وضعهما داخل سلطانية المعالج (١١).

• قم بتركيب غطاء العَصَاةُ الْعَامِلَةُ بِالطَّرْدِ الْمَرْكَزِيِّ (٢٥) فوق السلطانية و قم بإدارة في عكس اتجاه حركة عقارب الساعة حتى تستقر في موضعه. ضع وحدة الدفع (٢٦) في الفتحة الموجودة في الغطاء.

• لإزالة الوحدة المرفقة، قم بإيقاف الجهاز وانتظر حتى توقف جميع الأجزاء تماماً، ثم قم بإدارة الغطاء (٢٦) في اتجاه حركة عقارب الساعة وارفعه من فوق الجهاز.

• قم بإزالة المصفاة.

ملاحظة: لن يتم تشغيل العَصَاةُ الْعَامِلَةُ بِالطَّرْدِ الْمَرْكَزِيِّ إذا كان الغطاء (٢٥) غير مستقر في موضعه.

- ملاحظة: لن يتم تشغيل وعاء المزج إذا كان غطاء المعالج غير مستقر في موضعه.
- لإزالة وعاء المزج، قم بإيقاف الجهاز وانتظر حتى توقف جميع الأجزاء تمامًا، ثم قم بإزالة غطاء المعالج (١٢).
  - قم بإدارة وعاء المزج في اتجاه حركة عقارب الساعة وارفعه من فوق الجهاز.
  - أغلق غطاء الأمان (١) واضغط عليه لأسفل حتى يستقر في موضعه.
- ملاحظة: يجب عدم تركيب أية وحدات مرفقة في سلطانية المعالج (٩) عند استخدام وعاء المزج.
- ملاحظة: يجب عدم تشغيل وعاء المزج عندما يكون فارغًا.
- المطحنة المرفقة (الشكل "ب")
- اضغط على وحدة تحرير غطاء الأمان (٢) وارفع غطاء الأمان (١) إلى وضع الفتح.
  - بعد وضع المكونات في المطحنة (١٠) ضعها فوق الوحدة الرئيسية (٣). قم بإدارة الغطاء (١٢) في عكس اتجاه حركة عقارب الساعة حتى يستقر في موضعه.
  - ضع سلطانية المعالج (٩) فوق محور الدوران (٦). قم بإدارة الغطاء (١٢) في عكس اتجاه حركة عقارب الساعة حتى يستقر في موضعه.
- ملاحظة: لن يتم تشغيل المطحنة إذا كان غطاء المعالج غير مستقر في موضعه.
- لإزالة المطحنة، قم بإيقاف الجهاز وانتظر حتى تتوقف جميع الأجزاء تمامًا، ثم قم بإزالة غطاء المعالج (١٢).
  - قم بإدارة المطحنة في اتجاه حركة عقارب الساعة وارفعها من فوق الجهاز.
  - أغلق غطاء الأمان (١) واضغط عليه لأسفل حتى يستقر في موضعه.
- ملاحظة: يجب عدم تركيب أية وحدات مرفقة المطلوبة (١٣ أو ١٤ أو ١٥) فوق محور الدوران (٦)، وبقم بإدارتها حتى تستقر في موضعها.
- ضع الغطاء (١٢) فوق السلطانية (١١) وبقم بالإدارة في اتجاه حركة عقارب الساعة حتى يستقر في موضعه.
  - قم بتركيب وحدة الدفع (١٧) في الفتحة الموجودة في الغطاء (١٢).
  - لإزالة الوحدة المرفقة، قم بإيقاف الجهاز وانتظر حتى تتوقف جميع الأجزاء تمامًا، ثم قم بإزالة غطاء المعالج (١٢).
  - ارفع وحدة الخفق من فوق الجهاز.
- ملاحظة: تجنب تمامًا استخدام وحدة الخفق من أجل عجج العجين.
- ملاحظة: ينبغي دائمًا ترك وحدة الدفع في موضعها عند تركيب وحدة مرفقة في السلطانية.
- ملاحظة: لن يتم تشغيل الجهاز إذا كان الغطاء (٣٥) غير مستقر في موضعه.
- ملاحظة: ينبغي توخي الحذر والحرص عند التعامل مع شفرات القطع الحادة وتبريق السلطانية وأثناء التنظيف.

## أجزاء الجهاز

١ غطاء الأمان

٢ وحدة تحرير غطاء الأمان

٣ الوحدة الرئيسية

٤ زر التريبيئة/ النبض

٥ مفتاح السرعات

٦ محور الدوران

٧ العَصَّارة العاملة بالطرد المركزي

٨ وعاء المزج

٩ سلطانية المعالج

١٠ المطحنة الجافة

١١ السلطانية

١٢ غطاء معالج الأملمعة

١٣ شفرة الخفق

١٤ اشفرة العجن

١٥ شفرة الفرغ

١٦ غطاء شفرة الفرغ

١٧ وحدة الدفع

١٨ وعاء المزج

١٩ غطاء وعاء المزج

٢٠ غطاء المعاييرة

٢١ وعاء المطحنة الجافة

٢٢. غطاء المطحنة الجافة

٢٣ ملعقة الفرد والمزج

٢٤ شفرة التقطيع الناعم

٢٥ شفرة التقطيع الخشن

٢٦ شفرة الشرائح السميكة

٢٧ شفر الشرائح الرقيقة

٢٨ شفرة البرش

٢٩ شفرة المقالي الفرنسية

٣٠ حامل الشفرات

٣١ مصفاة العصير

٣٢ العَصَّارة

٣٣ الجزء الداخلي لمنخل العَصَّارة العاملة بالطرد المركزي

٣٤ الجزء الخارجي لمنخل العَصَّارة العاملة بالطرد المركزي

٣٥ غطاء العَصَّارة العاملة بالطرد المركزي

٣٦ وحدة الدفع في العَصَّارة العاملة بالطرد المركزي

٣٧ وحدة تخزين الشفرات

٣٨ غطاء وحدة تخزين الشفرات

## التركيب

تحذير! قبل التركيب، يجب التأكد أن الجهاز مطفأ ومفصول عن مصدر التيار الكهربائي.

تركيب وإزالة وحدة مرفقة

وعاء المزج (الشكل "أ")

- اضغط على وحدة تحرير غطاء الأمان (٢) وارفع غطاء الأمان (١) إلى وضع الفتح.
- قم بتركيب وعاء المزج (٨) في الوحدة الرئيسية (٣) وقم بالإدارة عكس اتجاه حركة عقارب الساعة حتى يستقر في موضعه.
- ضع سلطانية المعالج (٩) فوق محور الدوران (٦). قم بإدارة الغطاء (١٢) عكس اتجاه حركة عقارب الساعة حتى يستقر في موضعه.

## سلامة الآخرين

- لا تستخدم الجهاز في حالة تلف أي جزء أو وجود عيب فيه.
- ينبغي الاستعانة بوكيل الصيانة المعتمد للإصلاح أية أجزاء تالفة أو معيبة أو استبدالها.
- قبل الاستخدام، يلزم فحص سلك التيار الكهربائي للتأكد من خلوه من علامات التلف أو القدم البالغ أو التآكل.
- يجب عدم استخدام الجهاز في حالة تلف سلك التيار الكهربائي أو القابس أو وجود عيب بأي منهما.
- في حالة تلف سلك التيار الكهربائي، يجب استبداله من قبل الشركة المصنعة أو مركز صيانة بلاك أند ديكر معتمد لتجنب المخاطر.
- لا تسمح للأطفال، أو أي شخص غير مطلع على هذه الإرشادات، باستخدام هذا الجهاز.
- لا تسمح للأطفال أو الحيوانات بالاقتراب من منطقة العمل أو لمس الجهاز أو سلك التيار الكهربائي.
- يلزم توخي الحذر والمتابعة الدقيقة عند استخدام الجهاز بالقرب من الأطفال.
- هذا الجهاز غير مصمم ليستخدمه الأشخاص ذوو القدرات الجسدية والذهنية والحسية والعقلية المتدنية والخبرة والمعرفة التليلتين (بما في ذلك الأطفال) إننا في ظل الإشراف عليهم أو إعطائهم التعليمات المتعلقة باستخدام الجهاز من قبل الشخص المسؤول عن سلامتهم.

## السلامة الكهربائية

- لا تحاول إزالة أو استبدال أية أجزاء غير تلك الموضحة في هذا الدليل.
- هذا الجهاز محاط بطبقتين عازلتين وفقاً لمعايير السلامة EN60335، ومن ثم ليست هناك حاجة إلى استخدام سلك تأريض. ينبغي دائماً التأكد أن مصدر التيار الكهربائي يتوافق مع الجهد الموضح على لوحة التصنيف.



- لتجنب خطورة التعرض لصدمة كهربائية، ويلزم تجنب غمس السلك أو القابس أو وحدة المحرك في الماء أو أي سائل آخر.



## الإخراج من العبوة

- قم بإزالة جميع مواد التغليف من على الجهاز.
- نظف الجهاز قبل استخدامه لأول مرة.

## بعد الاستخدام

- قم بإيقاف الجهاز قبل التنظيف وتغيير الإكسسوارات أو الاقتراب من الأجزاء المتحركة أثناء الاستخدام.
- قم بإيقاف الجهاز وانزع القابس من مقبس الكهرباء عند عدم استخدام الجهاز أو قبل تغيير أي من أجزائه أو تنظيفها أو صيانتها.
- في حالة عدم استخدام الجهاز، يجب تخزينه في مكان جاف. ويجب عدم تمكين الأطفال من الوصول إلى الأجهزة المخزنة.

## الفحص والإصلاح

- قبل الاستخدام، افحص الجهاز للتعرف على الأجزاء التالفة والمعيبة. افحص الجهاز للتأكد من خلوه من الأجزاء المكسورة وتلف المفاتيح وأية أوضاع أخرى قد تؤثر على كفاءة تشغيله.

## غرض الاستخدام

- تجنب تشغيل الجهاز وأنت حافي القدمين.
- لا تلمس الأجزاء المتحركة واحتفظ بالشعر الطويل والثياب الفضفاضة بعيداً عن الأجزاء المتحركة.
- افرد سلك التيار الكهربائي بدقة بحيث لا يتعلق فوق حواف سطح العمل وبحيث لا يتم التعلق به بشكل غير مقصود أو المرور فوقه.

## إرشادات السلامة

- لا تحاول مطلقاً شد سلك التيار الكهربائي لفصله من المقبس. احتفظ بسلك التيار الكهربائي بعيداً عن الحرارة والزيت والحواف الحادة.
- قم بإطفاء الجهاز وانتظر حتى توقف المحرك عن العمل قبل فصل الجهاز عن مصدر التيار الكهربائي.

- تجنب محاولة فك أي جزء أو وحدة مرفقة أثناء توصيل الجهاز بمصدر التيار الكهربائي. واحرص دائماً على القيام أولاً بفصل الجهاز عن مصدر التيار الكهربائي.
- في حالة تلف سلك التيار الكهربائي أثناء الاستخدام، ينبغي القيام على الفور بفصل الجهاز عن مصدر التيار الكهربائي. وينبغي تجنب لمس سلك التيار الكهربائي قبل فصله عن مصدر التيار الكهربائي.

- في حالة عدم استخدام الجهاز، افصله عن مصدر التيار الكهربائي، وذلك قبل القيام بتركيب أو إزالة أية أجزاء وقبل التنظيف.
- يمكن أن يؤدي سوء الاستخدام إلى التعرض للإصابات.
- احتفظ بالملابس الفضفاضة والشعر والمجوهرات، وما إلى ذلك، بعيداً عن الأجزاء المتحركة.
- يلزم توخي الحذر عند التعامل مع شفرات القطع، خاصة عند إزالة الشفرات وأثناء التنظيف.

معالج الأظعمة بلاك أند ديكر صمم خصيصاً لإعداد الأظعمة والمشروبات وفقاً لما هو موضح في هذا الدليل. لا تستخدم هذا الجهاز في أية أغراض أخرى، فهذا الجهاز مصمم للاستخدام المنزلي فقط.

تحذير! عند استخدام الأجهزة الكهربائية، يتعين دائماً مراعاة قواعد السلامة الأساسية؛ للحد من احتمالات نشوب حريق أو تعرض الأشخاص لصدمة كهربائية أو إصابة شخصية، بما في ذلك ما يلي:

يرجى قراءة هذا الدليل بالكامل بعناية قبل



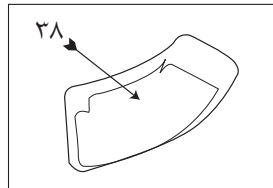
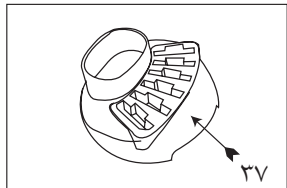
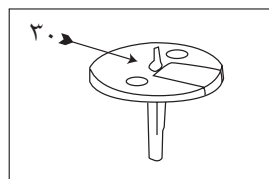
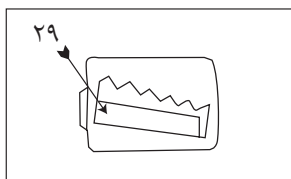
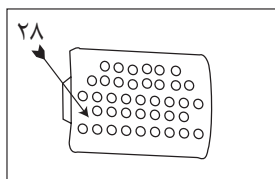
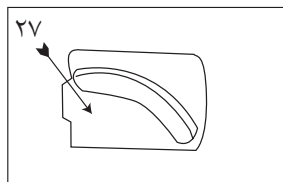
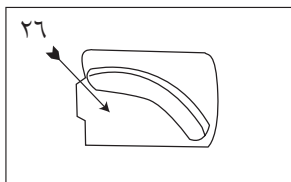
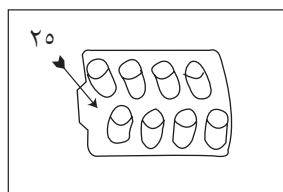
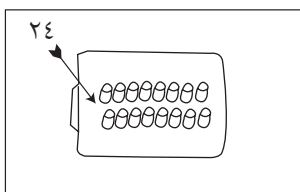
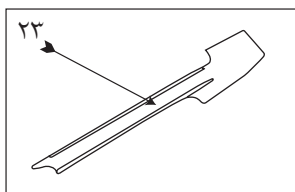
استخدام الجهاز.

- الغرض من الاستخدام موضح في هذا الدليل، واستخدام أية وحدة ثانوية أو وحدة مرفقة، أو تنفيذ أية عملية باستخدام هذا الجهاز غير تلك الاستخدامات الموصى بها في دليل الإرشادات هذا قد ينجم عنه خطر التعرض للإصابات الشخصية.
- يرجى الاحتفاظ بهذا الدليل للرجوع إليه مستقبلاً.

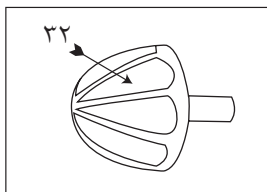
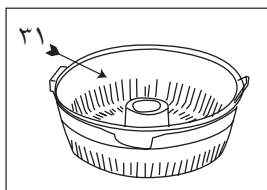
## استخدام الجهاز

- يجب التأكد من أن الجهاز مطلقاً قبل توصيله بمصدر التيار الكهربائي أو فصله عنه.
- ينبغي دائماً توخي الحذر والحرص عند استخدام الجهاز.
- يجب عدم استخدام الجهاز خارج المنزل.
- ينبغي دائماً مراعاة حماية وحدة المحرك من الماء أو الرطوبة المفرطة.
- تجنب تشغيل الجهاز ويدك مبتلة.

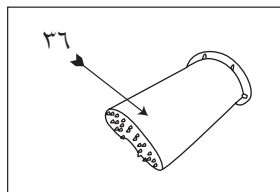
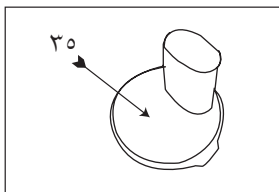
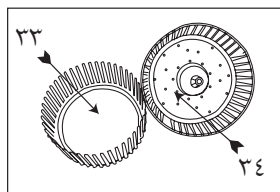
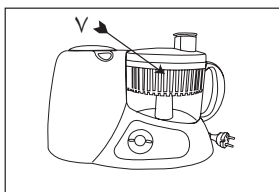
(الشكل د)



(الشكل هـ)

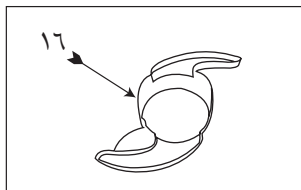
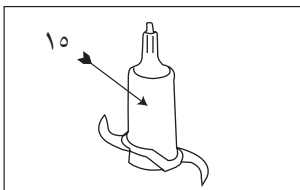
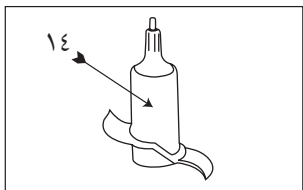
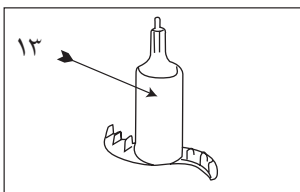
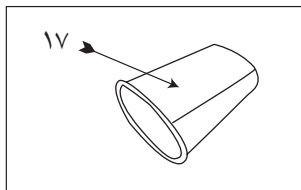
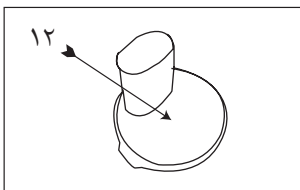
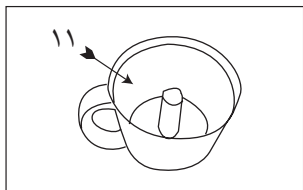
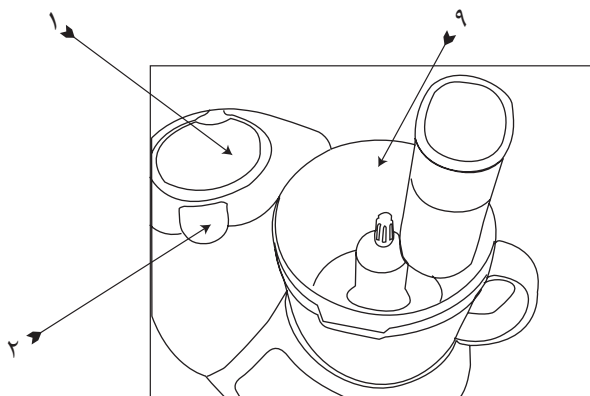


(الشكل و)

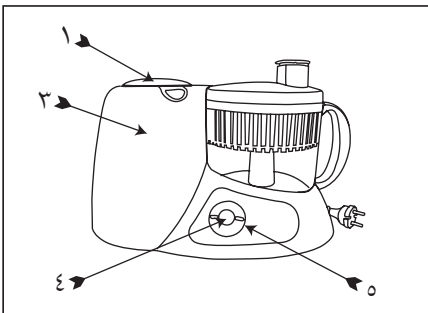
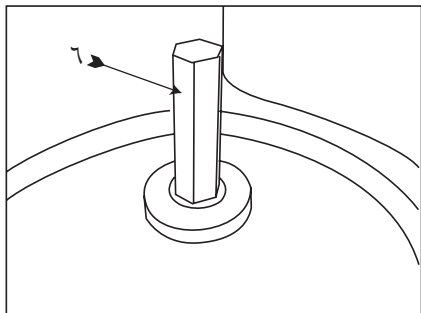
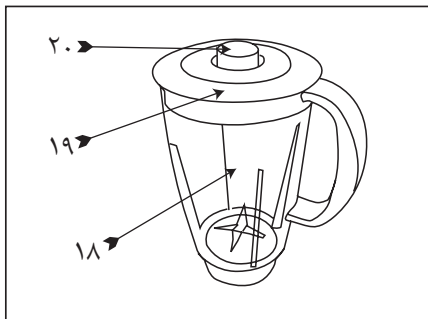
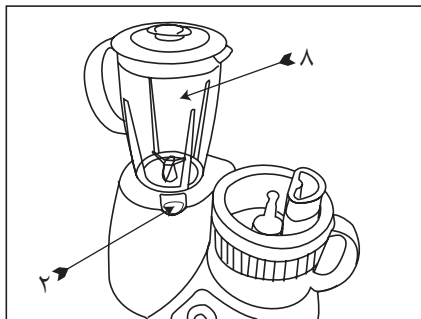




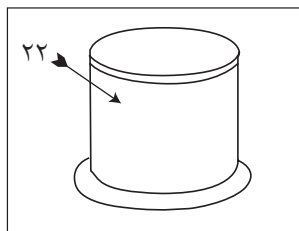
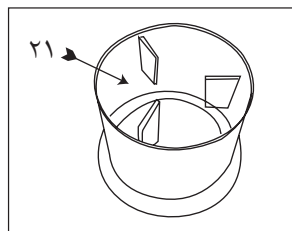
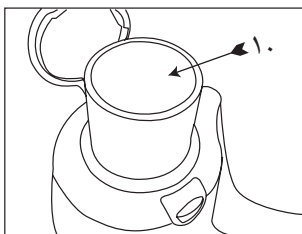
الشكل ج



(الشكل أ)



الشكل ب



## إرشادات هامة

- هناك احتياطات سلامة يجب اتباعها أثناء استخدام الأجهزة الكهربائية لتقليل من خطر الحريق والصدمة الكهربائية و/أو إصابة الأشخاص وتشمل هذه الاحتياطات ما يلي:
- قراءة كل هذه التعليمات بعناية حتى ولو كنت على دراية باستخدام الجهاز
  - لا تغمر الجهاز أو مجموعة الأسلاك أو القابس في الماء أو السوائل الأخرى حتى لا تتعرض لصدمة كهربائية.
  - استخدم قطعة قماش مبللة لتنظيف ومسح الجزء الخارجي من الجهاز
  - راقب الأطفال عن كثب عند استخدام الجهاز بالقرب منهم. لا تترك الجهاز دون مراقبة أثناء استخدامه.
  - في حالة تلف سلك الطاقة، يرجى الاستعانة بمصنع الجهاز أو وكيل الخدمة المعتمد أو أي فني على نفس درجة التأهيل لاستبدال السلك التالف وذلك لتجنب أي مخاطر ممكنة
  - قم بفصل الجهاز وانزع القابس من مأخذ التيار أثناء عدم الاستخدام أو قبل تركيب أو فك أجزائه أو تنظيفه وإجراء صيانة للجهاز. لا تشد السلك لنزع القابس من مأخذ التيار.
  - لا تشغيل الجهاز بسلك أو قابس تالف، يجب الاستعانة بمركز الخدمة المعتمد لمعاينة الجهاز أو إصلاحه كهربائياً أو ميكانيكياً لتجنب أي خطر.
  - قد تترتب مخاطر الحريق أو الصدمة الكهربائية أو إصابة الأفراد على استخدام الملحقات الثانوية التي لم يوصي بها منتج الجهاز أو يبيعهها.
  - لا تدع السلك يتدلى فوق حافة المنضدة أو يلامس أسطحاً ساخنة.
  - تجنب ملامسة الأسطح الساخنة مع مراعاة استخدام المقابض
  - لا تضع الجهاز أو أي جزء من أجزائه على أسطح ساخنة (مثل فرن غاز أو فرن كهربائي ساخن أو في فرن تم إحمائه) أو بالقرب منها.
  - لا تسئ استخدام السلك. ولا تحمل الجهاز أبداً عن طريق السلك أو شده لفصله من مأخذ التيار. اقبض على القابس دائماً واسحبه لفصله.
  - في حالة استخدام سلك تمديد، يرجى التأكد من توصيله بشكل سليم وأنه صالح للاستخدام مع هذا الجهاز
  - هذا الجهاز معد للاستخدام المنزلي فقط
  - لا تحاول إصلاح الجهاز بنفسك. وبدلاً من ذلك، استعن بأقرب مركز خدمة تابع أو معتمد من شركة بلاك أند ديكر لإصلاح الجهاز

## احتفظ بهذه التعليمات

## Names & Addresses for Black & Decker Service Concessionaries

**Afghanistan:** Ishan National Co., Opp. Ministry of Justice, Kabul. Tel.: +93-2-2101727. **Algeria:** SARL Outillage Corporation, 04 Route De Dely Brahim Cheraga, Alger. Tel.: +213-21-364363/508, Fax: +213-21-369667. **Bahrain:** Fawaz Al Zayani, P.O.Box 26563, Adliya, Manama. Tel.: +973-17-715252/712756, Fax: +973-17-713789. **Bangladesh:** Ultra Corporation, 8, Kushol Centre, Uttara, Dhaka 1230. Tel.: +880-2-8919272/9756 Ext.28, Fax: +880-2-9887167. **Egypt:** Anasia Egypt for Trading S. A. E., P.O.Box 2443, 110 Mostafa Refaat Street, Sheraton Heliopolis 11361, Cairo. Tel.: +20-2-2684159, Fax: +20-2-2684169. **Ethiopia:** Tewfik Sherif & Co. Ltd., P.O.Box 5583, Debre Zeit Road, Addis Ababa. Tel.: +251-1-651700/601, Fax: +251-1-650570. **India:** Gryphon Impex Pvt. Ltd., D-6/4, Okhla Industrial Area, Phase-I, New Delhi-110020. Tel.: +91-11-26372602-4, Fax: +91-11-26372601. **Iran:** Tehran - Service Centre of Iran, No 510, South Karger Ave, Below Pasteur Sq, Tehran. Tel.: +98-21-6490608/0656/6407672. **Kish Island:** Cayhan Electric Co., No. 69, Paradise Shopping Centre, Kish Island. Tel.: +98-76444-22894. **Jordan:** Bashiti Hardware, P.O.Box 1564, TLA Ali, Amman. Tel.: +962-6-5350009/4770741, Fax: +962-6-5350012/4789783. **Kenya:** Zylgo Enterprises, IPS Building, Kuanda Street, P.O.Box 40877, Nairobi. Tel.: +254-2-338188/199, Fax: +254-2-330642. **Kuwait:** Al Omar Technical Co., P.O.Box 4062, 13041 Safat, Kuwait. Tel.: +965-4848595/0039, Fax: +965-4845652. **Lebanon:** Est. F.A. Kettaneh SA, P.O.Box 110242, Dora Highway, Kettaneh Building, Beirut. Tel.: +961-1-255860/6, Fax: +961-1-255891. **Libya:** El Ghoul Brothers, P.O.Box 348, Islamic Call Bldg., Office 201-202, Benghazi. Tel.: +218-61-9097681/4183, Fax: +218-61-9094123. **Madagascar:** Group Tana Confort S. A. R. L., B. P. 1770, Antananarivo. Tel.: +261-20-2264505, Fax: +261-20-2264244. **Malta:** John G. Cassar Ltd., 36 Victory Str, Qormi QRM 06, Malta. Tel.: +356-21-493251, Fax: +356-21-483231. **Mauritius:** Happy World Marketing Ltd., Block 2, Industrial Estate, Coromandel, P.O.Box 429, Port Louis. Tel.: +230-2076700, Fax: +230-2337330/7400. **Nepal:** Universal Trading Centre, P.O.Box 1947, Tripureswor, Kathmandu. Tel.: +977-1-262192/260587/785, Fax: 261154. **Nigeria:** Amin Bros. Eng. Co. Ltd., 30A (Plot 1291), Akin Adesola Street, Victoria Island, Lagos. Tel.: +234-1-3201778, Fax: +234-1-2613667. **Oman:** Oman Mktg. & Service Co., P.O.Box 2734, Ruwi, Muscat. Tel.: +968-560232, Fax: +968-560255. **Pakistan:** Karachi - Ammar Service & Spares, 60, Bank Arcade, Serai Road, Karachi. Tel.: +92-21-2426905, Fax: 2427214/5243. **Pakistan:** Lahore - Electronics Inn, 212-G Raja Centre, Main Market, Gulberg, Lahore. Tel.: +92-42-5756750. **Philippines:** Modern House International Enterprises, 213 Rizal Ave. Extension, between 2nd and 3rd Ave. Kalookan City. Tel.: +632 366-4487, Fax: +632 366-4489. **Qatar:** Al Mufthah Trading & Cont., P.O.Box 875, Doha. Tel.: +974-4650880/4446868, Fax: +974-4441415. **Saudi Arabia:** Dammam - Ebrahim Fawaz Al Zayani, P.O.Box 76026, Al Raka, Dammam. Tel.: +966-3-8140914, Fax: +966-3-8140824. **Jeddah:** Anasia Trading Co. Ltd. Caravan Shopping Centre, Hail Street. P. O. Box 50959, Jeddah-21477, Tel. 02 650 0948/02 636 3825, Fax 02 638 0720. **Madina:** Garzj Trdg. for Bldg. Mat.&Decor., P.O.Box 3364, Madina. Tel.: +966-4-8261490/8227636, Fax: +966-4-8265741. **Riyadh:** Anasia Trading Co Ltd. New Akaria Building, 60th St., 3rd Floor, Building # 4, Office # 3402, Malaz. P. O. Box. 18689, Riyadh-11425, Tel: 01 478 2549, Fax: 01 478 2761. **Yanbu:** Bin Afif, P.O.Box 530 Yanbu, Al Bahr. Tel.: +966-4-3222626/8867, Fax: +966-4-3222210. **Sri Lanka:** Delmege Gen. Equip. Pvt. Ltd., No. 428/1AT. B., Jaya Mawatha (Darley Road), Colombo-10. Tel.: +94-11-2665914, Fax: +94-11-2665915. **Sudan:** United Distribution Company, P.O.Box 325, Sayed Abdul Rehman Street, Khartoum. Tel.: +249-11-772612/777296, Fax: +249-11-770919. **Tanzania:** General Motors Investment, P. O Box 16541, 14 Vingunguti Nyerere Road, Dar Es Salaam. Tel.: +255-22-2862661/5022, Fax: +255-22-2862667/5412/3. **Tunisia:** STE Tunisienne De Quincillerie Stq., Nvelle Z.I.2013, Ben Arous, Tunis, Tunisia, Tel: +216 71386102, Fax: +216 71380412. **UAE:** Abu Dhabi - Light House Electric., P.O.Box 120, Abu Dhabi. Tel.: +971-2-6726131, Fax: +971-2-6720667. Dubai - Black & Decker (O) A.G., P.O.Box 5420, Dubai. Tel.: +971-4-7028234/233, Fax: +971-4-2822765. Ideal Mach. & Equipmt. R. W/shop P.O.Box 37116, Al Quoz, Dubai. Tel.: +971-4-3474160, Fax: +971-4-3474157. Sharjah - McCoy Middle East LLC, P.O.Box 20228, Sharjah. Tel.: +971-6-5336321, Fax: +971-6-5336320. **Uganda:** The Building Centre, Kitgum House, 52 Station Road, P.O.Box 7436, Kampala. Tel.: +256-41-234567, Fax: +256-41-236413. **Yemen:** Aden - Middle East Trad. Co. Ltd., Mulla Dakka, Aden. Tel.: +967-2-240950, Fax: +967-2-240952. **Sana'a:** Middle East Trad. Co. Ltd., P.O.Box 12363, Hayel Street, Sana'a. Tel.: +967-1-204201, Fax: +967-1-204204. **Taiz:** Middle East Trad. Co. Ltd., Campa area near Al-Kair mosque, Taiz. Tel.: +967-4-231610/232033, Fax: +967-4-219869. **Zimbabwe:** J.D.Distributors, P.O.Box 226, 17 Bessemer Road, Graniteside, Harare. Tel.: +263-4-753913-7, Fax: 753918. **Cyprus:** G. Kyprianou Trading Co Ltd., 51 Prodromou AVE. Strovolos, 1681, P.O. Box 23318 Nicosia Cyprus. Tel.: 00357 22 468170/1, Fax: 00357 22 468186, Email gkitttd@spidernet.com.cy



## WARRANTY REGISTRATION CARD

YOUR NAME/الإسم \_\_\_\_\_

YOUR ADDRESS العنوان \_\_\_\_\_

POSTCODE الرمز البريدي \_\_\_\_\_

DATE OF PURCHASE تاريخ الشراء \_\_\_\_\_

DEALER'S NAME & ADDRESS/إسم وعنوان البائع \_\_\_\_\_

PRODUCT MODEL NO. FX1000