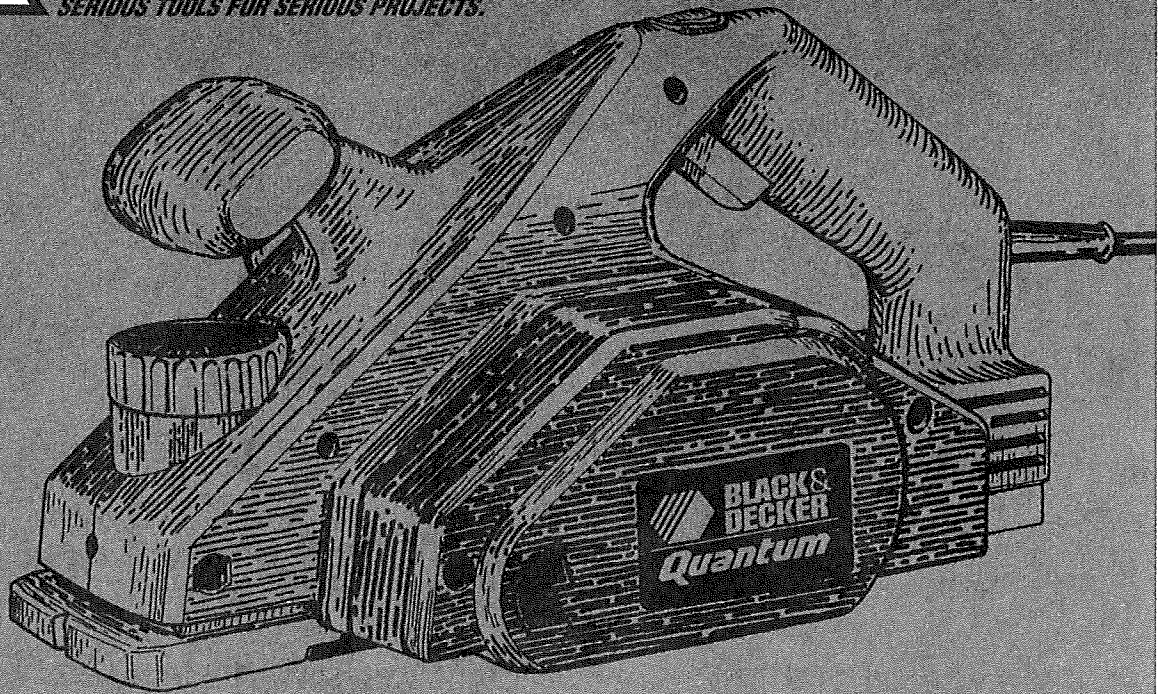


BLACK & DECKER®

Quantum™
SERIOUS TOOLS FOR SERIOUS PROJECTS.

3 1/4"
(82 mm)
Planer

BD 6500



Thank you for buying a **QUANTUM™** Planer

Your Quantum planer has been carefully designed to meet the rugged standards for quality and dependability that have made Black & Decker the world's choice for over 75 years. Built for extreme accuracy and smooth power, your planer is bound to be a tool you'll count on again & again. An exhaust port which accepts the included dust bag or your own vacuum cleaner makes dust collection a snap, and large, easy to read controls make your planer every inch the craftsman that you are. Performance, features and Black & Decker's inherent toughness make this planer a real star performer for your workshop. Please read this informative instruction manual and pay particular attention to the safety instructions we've included for your protection. Don't forget to send in your owner's registration card.

THANKS FOR CHOOSING QUANTUM!

FULL HOME USE WARRANTY
3
YEAR

 **BLACK & DECKER®**

IMPORTANT SAFETY INSTRUCTIONS

WARNING: When using Electric Tools, basic safety precautions should always be followed to reduce the risk of fire, electric shock, and personal injury, including the following:

READ ALL INSTRUCTIONS

- 1. KEEP WORK AREA CLEAN.** Cluttered areas and benches invite injuries.
- 2. CONSIDER WORK AREA ENVIRONMENT.** Don't expose power tools to rain. Don't use power tools in damp or wet locations. Keep work area well lit.
- 3. GUARD AGAINST ELECTRIC SHOCK.** Prevent body contact with grounded surfaces. For example, pipes, radiators, ranges, refrigerator enclosures.
- 4. KEEP CHILDREN AWAY.** All visitors should be kept away from work area. Do not let visitors contact tool or extension cord.
- 5. STORE IDLE TOOLS.** When not in use, tools should be stored in dry, and high or locked-up place out of reach of children.
- 6. DON'T FORCE TOOL.** It will do the job better and safer at the rate for which it was intended.

7. USE THE RIGHT TOOL. Don't force a small tool or attachment to do the job of a heavy-duty tool. Don't use a tool for purpose not intended; for example, don't use a circular saw for cutting tree limbs or logs.

8. DRESS PROPERLY. Do not wear loose clothing or jewelry. They can be caught in moving parts. Rubber gloves and non-skid footwear are recommended when working outdoors. Wear protective hair covering to contain long hair.

9. USE SAFETY GLASSES. Also use face or dustmask if operation is dusty.

10. DON'T ABUSE CORD. Never carry tool by cord or yank it to disconnect from receptacle. Keep cord away from heat, oil, and sharp edges.

11. SECURE WORK. Use clamps or a vise to hold work. It's safer than using your hand and it frees both hands to operate tool.

12. DON'T OVERREACH. Keep proper footing and balance at all times.

13. MAINTAIN TOOLS WITH CARE. Keep tools sharp and clean for better and safe performance. Follow instructions for lubricating and changing accessories. Inspect tool cords periodically and, if damaged, have

repaired by authorized service facility. Inspect extension cords periodically and replace if damaged. Keep handles dry, clean, and free from oil and grease.

14. DISCONNECT TOOLS. When not in use, before servicing, and when changing accessories, such as blades, bits, cutters.

15. REMOVE ADJUSTING KEYS AND WRENCHES. Form habit of checking to see that keys and adjusting wrenches are removed from tool before turning it on.

16. AVOID UNINTENTIONAL STARTING. Don't carry a plugged-in tool with finger on switch. Be sure switch is off when plugging in.

17. OUTDOOR USE EXTENSION CORDS. When tool is used outdoors, use only extension cords intended for use outdoors and so marked. More detailed extension cord information can be found on page 4.

18. STAY ALERT. Watch what you are doing. Use common sense. Do not operate tool when you are tired.

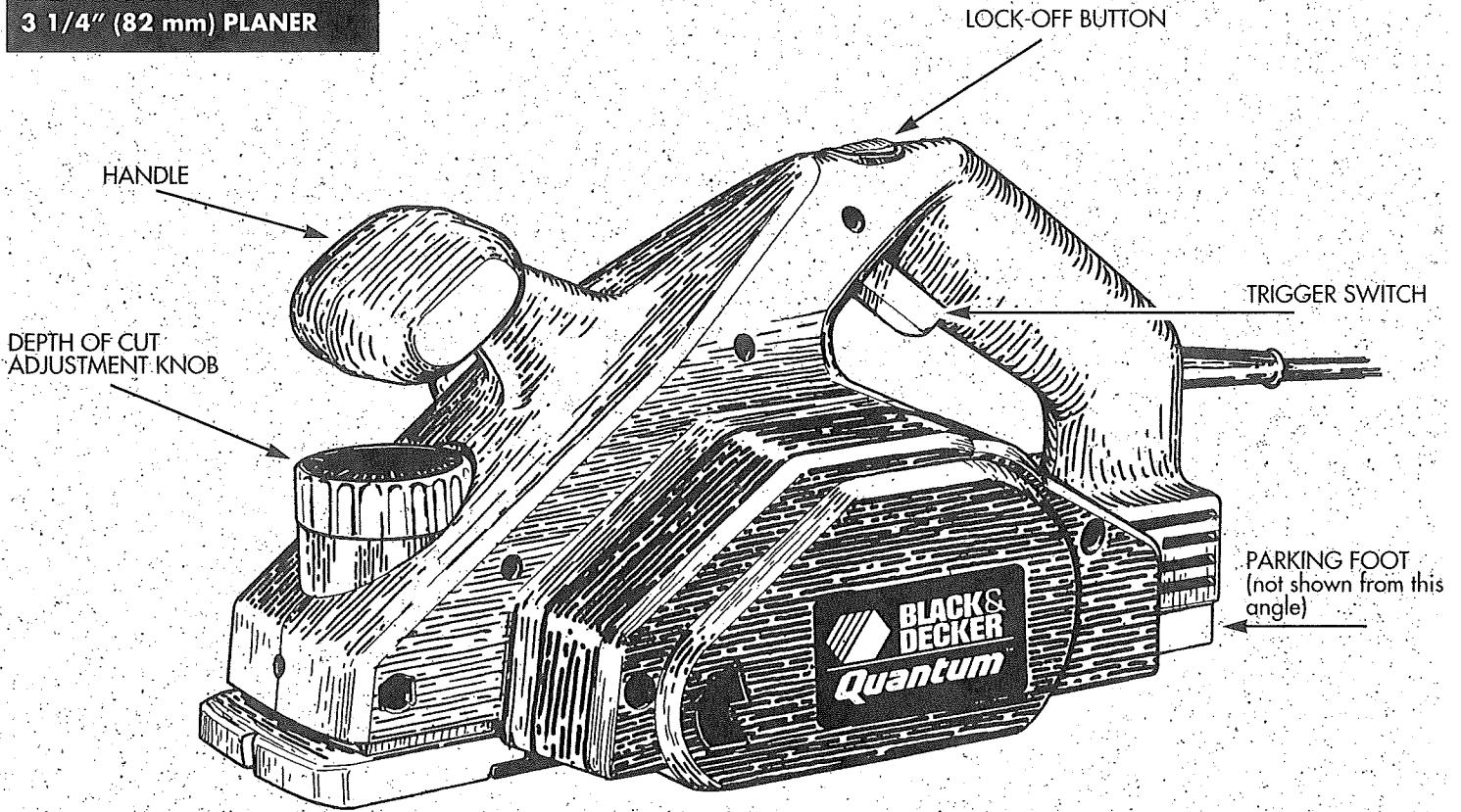
19. CHECK DAMAGED PARTS. Before further use of the tool, a guard or other part that is damaged should be carefully checked to determine that it will operate properly and perform its intended function. Check for alignment of moving parts, binding of moving parts, breakage of parts, mounting,

and any other conditions that may affect its operation. A guard or other part that is damaged should be properly repaired or replaced by an authorized service center, unless otherwise indicated elsewhere in this instruction manual. Have defective switches replaced by authorized service center. Do not use tool if switch does not turn it on and off.

20. DO NOT OPERATE portable electric tools near flammable liquids or in gaseous or explosive atmospheres. Motors in these tools normally spark, and the sparks might ignite fumes.

SAVE THESE INSTRUCTIONS

BD 6500
3 1/4" (82 mm) PLANER



ADDITIONAL SAFETY INSTRUCTIONS FOR PLANERS

1. Switch on the planer before the blades touch the workpiece.
2. Use only sharp and undamaged blades. Dull blades increase the risk of kick back.
3. When adjusting or changing accessories, unplug the planer.
4. Make sure that the blades are tightened correctly.
5. **CAUTION:** Blades continue to coast after turning the tool off. Do not put planer down until the planer blades have stopped rotating. Always turn off the planer immediately after use.
6. Protect the cord against damage. Never carry the planer by its cord.
7. Do not operate the planer when covers or guards are removed.
8. Keep ventilation slots in motor housing free of dust and wood chips.
9. Do not place fingers inside the exhaust chute.
10. Never plane over nails, screws, etc. Always keep the surface to be planed free of metal.
11. Always use clamps or a vise to secure the workpiece in order to reduce the chance of kick back.

12. Use a feeder guide when planing short pieces.

13. Be especially careful when planing short pieces that may roll or tip over.

DOUBLE INSULATION

Your planer is DOUBLE-INSULATED to give you added safety. This means that it is constructed throughout with TWO separate "layers" of electrical insulation or one DOUBLE thickness of insulation between you and the tool's electrical system. Tools built with this insulation system are not intended to be grounded. As a result, your planer is equipped with a two-prong plug which permits you to use extension cords without concern for maintaining a ground connection.

NOTE: DOUBLE INSULATION does not take the place of normal safety precautions when operating this tool. The insulation system is for added protection against injury resulting from a possible electrical insulation failure within the tool.

CAUTION: When servicing Double-Insulated Tools, USE ONLY IDENTICAL REPLACEMENT PARTS. Repair or replace damaged cords.

EXTENSION CORDS

Double-Insulated tools have 2 wire cords, and can be used with 2 wire or 3 wire extension cords. Only round jacketed extension cords should be used, and we recommend that they be listed by Underwriters Laboratories (U.L.) (C.S.A. in Canada). If the extension will be used outside, the cord must be suitable for outdoor use. Any cord marked as outdoor can also be used for indoor work. The letters "WA" on the cord jacket indicate that the cord is suitable for outdoor use.

An extension cord must have adequate wire size (AWG or American Wire Gauge) for safety, and to prevent loss of power and overheating. The smaller the gauge number of the wire, the greater the current carrying capacity of the cable; that is 16 gauge has more capacity than 18 gauge. When using more than one extension to make up the total length, be sure each individual extension contains at least the minimum wire size.

To determine the minimum wire size required, refer to the chart below:

CHART FOR MINIMUM WIRE SIZE (AWG) OF EXTENSION CORDS

NAMEPLATE RATINGS—AMPS	TOTAL EXTENSION CORD LENGTH— FEET							
	25	50	75	100	125	150	175	200
0-10.0	18	18	16	16	14	14	12	12
10.1-13.0	16	16	14	14	14	12	12	12
13.1-15.0	14	14	12	12	12	12	12	—

Before using an extension cord, inspect it for loose or exposed wires, damaged insulation, and defective fittings. Make any needed repairs or replace the cord if necessary.

MOTOR

Your Quantum tool is powered by a Black & Decker built motor. Be sure your power supply agrees with nameplate marking (Volts, 120 AC only). Voltage decrease of more than 10% will cause loss of power and overheating. All Quantum tools are factory tested; if this tool does not operate, check the power supply.

SAVE THESE INSTRUCTIONS

FEATURE / BENEFIT

8 AMPS OF POWER Faster cutting speed.

DUST COLLECTION SYSTEM Automatically collects debris for a cleaner work environment. Uses dust bag (included) or standard vacuum hose.

CALIBRATED DEPTH ADJUSTMENT KNOB from 0- $3/32$ " (0-2.5 mm) Allows choice of slow or fast material removal.

PLANING WIDTH 0- $3/4$ " (0-82 mm)

RABBETING DEPTH 0- $1/16$ " (0-21 mm)

DIE CAST ALUMINUM SHOE Machined on bottom and side for precise cuts.

ALL BALL BEARING CONSTRUCTION Long life and durability.

ADVANCED ERGONOMICS For comfortable operation.

PARK POSITION Convenient "kick-stand" keeps blade away from workpiece when not in use.

SPECIFICATIONS

SPEED: 14,000 RPM (no load)
CORDSET: 8 feet 120 Volts AC Only
WIDTH: 0- $3/4$ "

STANDARD EQUIPMENT

Dust collection bag
Dust collection hose adaptor
Hex Wrench
High Speed Steel Reversible blade.

OPERATION

SWITCHES

To turn the tool "ON", depress the lock off button shown in Figure 1 and squeeze the trigger switch. To turn the tool "OFF", release the trigger switch. As the trigger switch is released, the lock off button will pop out, locking the switch off.

SETTING THE CUTTING DEPTH

UNPLUG THE TOOL FROM THE POWER SUPPLY. Set the desired depth of cut by rotating the cutting depth adjustment knob. The knob will adjust the depth of cut from 0 to $3/32$ ". Align the desired depth number with the indicator line on the front of the planer, as shown in Figure 2.

PLANING

With the blades off of the workpiece, turn the tool on and permit the blade to reach full speed. Place the front shoe of the planer on the surface to be planed

and smoothly advance the planer into the work. As the blade begins to plane, keep both shoes flat on the work surface and guide the tool carefully. When you reach the end of the board, continue moving straight ahead and hold the rear shoe flat on the work surface. This way the tool does not drop down causing a chamfered edge to the work surface.

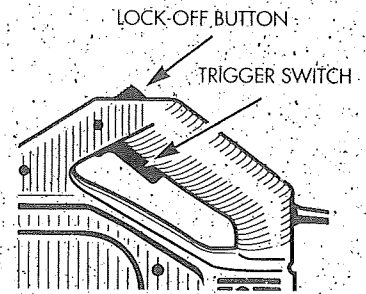
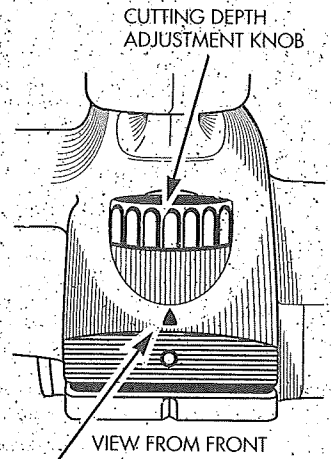


Fig. 1



VIEW FROM FRONT
INDICATOR LINE

Fig. 2

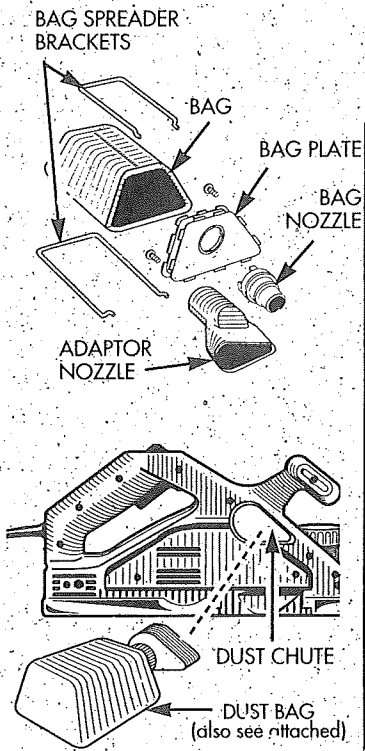


Fig. 3

RABBETING

Set the cutting depth to the maximum (3/32") and make repeated passes until the desired depth is reached. Measure the depth often to avoid cutting too deeply.

EDGE CHAMFERING

Your planer has a 3 mm deep "V" groove in the bottom center of the front shoe. Use this groove in conjunction with the depth of cut adjustment to chamfer edges of your workpiece.

PARKING FOOT

In order to protect the workpiece from scratches caused by resting the planer on it when not in use, a parking foot is provided. The foot falls into place whenever you lift the tool up off the workpiece. The parking foot is operated by gravity and will fall into place whether the tool is running or not. Fold the foot up out of the way when you are ready to plane.

DUST COLLECTION

UNPLUG THE PLANER FROM THE POWER SUPPLY. When using the dust bag to collect dust, empty it frequently for more efficient operation.

Assemble the dust bag as follows:
UNPLUG PLANER:

1. Snap the Bag Nozzle into the bag plate, as shown in Figure 3.
2. Install the Bag Spreader Brackets, as shown and install the four screws shown in the figure to hold the brackets in place.

3. Place the Cloth Bag over the Bag Spreader Brackets and stretch the elastic band over and into the groove in the edge of the Bag Plate, as shown in Figure 3. Make sure that the zipper is located on the bottom of the bag to facilitate easier emptying.

4. Insert the Adaptor Nozzle into the exhaust port of the planer shown in Figure 3. Insert the Bag Nozzle of the dust bag assembly into the Adaptor Nozzle and the bag is ready for use.

To collect dust with a vacuum cleaner, install the Adaptor Nozzle, shown in Figure 3, into the Exhaust Port. A standard vacuum cleaner hose will fit into the nozzle. When collecting dust with a vacuum cleaner, make sure that the vacuum cleaner does not get in the way or fall over. The planer generates a lot of dust and debris. Whether you use the dust bag or a vacuum cleaner, empty bags often.

MAINTENANCE

BLADE REPLACEMENT

UNPLUG THE PLANER FROM THE POWER SUPPLY. Over time the blades will become dull and chipped resulting in rough planed surfaces. To replace the blades or reverse them (blades are double-sided) follow the steps below.

1. Unplug the planer from the power supply.
2. Using the hex wrench provided, loosen the hex nuts, as shown in Figure 4.

3. Use a piece of scrap wood to push the blade holder out of the blade cylinder.

4. Using the same scrap of wood, push the blade out of the blade holder, as shown in Figure 5. At this point, you can either reverse the blade and reinstall it or you can replace it with a new blade available at your local Black & Decker Service Center. Ensure that blade is centered to avoid contact with housing.

5. Install the blade/blade holder assembly back into the blade cylinder and firmly tighten the hex nuts. NOTE: When tightening these nuts, move from one to another frequently until all three are tightened at the same time.

6. Repeat steps 2-5 for the second blade.

TOOL CARE

Keep your machine as clean as possible by wiping with a clean cloth and occasionally blowing through with air. Don't use harsh chemicals or solvents to clean the tool. These chemicals could seriously damage the plastic.

LUBRICATION

Self-lubricating bearings are used in the tool and periodic relubrication is not required. However, it is recommended that, once a year, you take or send the tool to a Black & Decker Service Center for a thorough cleaning and inspection.

PROJECT TIPS

1. Firmly position the front shoe on the work surface before turning the unit on and starting blade contact with the material.
2. Use a side fence with your planer for superior control and accuracy. When rabbeting, the side fence should be attached to the planer so that the rabbeted edge is used as a guide.
3. For best results, use a consistent feed rate and avoid overfeeding the unit.
4. Transfer of weight is the key to preventing chamfered edges at the entry and exit points of a work surface. As the planer is introduced to the work surface, pressure should be placed on the front handle to ensure blades cut parallel to the material. Once the entire shoe of the planer is in contact with the material pressures should be evenly distributed between the front and rear

handles. As the front shoe extends off the material, pressure should be transferred to the rear handle to ensure a parallel exit off of the material.

ACCESSORIES

Accessories shown in this manual are available at extra cost from your local dealer or Black & Decker Service Center.

A complete listing of service centers is included with your tool.

If you need assistance in locating any accessory please contact:

Black & Decker (U.S.) Inc.
Consumer Service Department
626 Hanover Pike
P.O. Box 618
Hampstead, MD 21074-0618

BD 650A—Replacement Blade
BD 655A—Inversion Stand
BD 660A—Side Fence

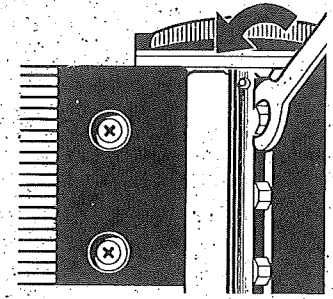


Fig. 4

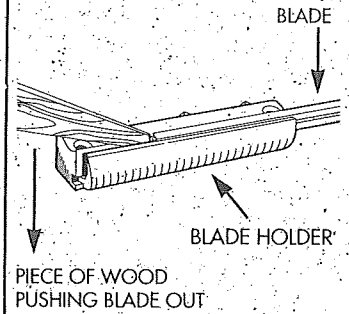


Fig. 5

IMPORTANT

To assure product SAFETY and RELIABILITY, repairs, maintenance and adjustments should be performed by Black & Decker Service Centers or other qualified service organizations, always using Black & Decker replacement parts.

Black & Decker's Full Three Year Home Use Warranty states that, in case of a defect, you may return the tool to the place of purchase for a free replacement (if it is a participating dealer) or you may take it to a Black & Decker Service Center.

HOME USE WARRANTY (A FULL THREE YEAR WARRANTY)

Black & Decker (U.S.) Inc. warrants this product for three years against any defects that are due to faulty material or workmanship. Please return the complete unit, transportation prepaid, to the seller (if a participating retailer) for free replacement (proof of purchase may be required). The unit may also be returned to a Black & Decker Service Center or authorized Service Station, listed under "Tools Electric" in the yellow pages for free replacement or repair at our option. This warranty does not apply to accessories. This warranty gives you specific legal rights and you may have other rights which vary from state to state. Should you have any questions, contact your nearest Black & Decker Service Center manager.

Every Quantum tool is of the highest quality. If you wish to contact us regarding this product, please call toll free between 8:00 a.m. and 5:00 p.m. ET, Monday through Friday, 1-800-762-6672.

Like most Black & Decker products your tool is listed by Underwriters Laboratories to ensure that it meets stringent safety requirements.



This symbol on the nameplate means the product is listed by Underwriters Laboratories, Inc.



See 'Tools-Electric' — Yellow Pages — for Service & Sales