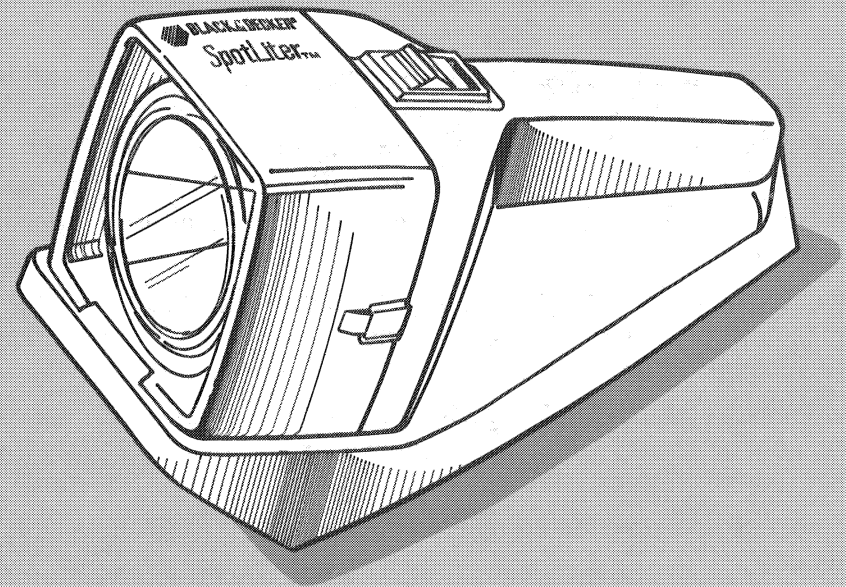


 **BLACK & DECKER®**

SAVE THIS USE AND CARE BOOK

SpotLiter™ Rechargeable Light



1-800-231-9786
QUESTIONS? Please call us TOLL FREE



Contains nickel-cadmium batteries. Batteries must be recycled or disposed of properly. For information on our battery recycling program, see pages 9-11 in this book.

MODEL 9360B

 **BLACK & DECKER®**

IMPORTANT SAFEGUARDS

When using electrical appliances, basic safety precautions should always be followed, including the following:

PLEASE READ ALL INSTRUCTIONS CAREFULLY BEFORE USING THE UNIT.

WARNING: To reduce the risk of fire, electrical shock, or injury:

- Close supervision is necessary when any appliance is used by or near children. Do not allow to be used as a toy.
- To protect against risk of electrical shock, do not put unit or charging base in water or other liquid.
- Do not operate in the presence of explosives and/or flammable fumes or liquids.
- Do not operate any appliance with a damaged cord or charger or after the appliance malfunctions or is damaged in any manner. Return the appliance to any authorized service facility for examination, repair, or electrical or mechanical adjustment.
- Do not use the charger outdoors or expose the unit to rain. The unit is not watertight.
- Do not abuse the cord. Never carry the charger or base by the cord or yank to disconnect from an outlet; instead, grasp the charger and pull to disconnect. Keep cord away from heated surfaces.
- Do not allow the cord to hang over the edge of a table or counter or touch hot surfaces. The unit should be placed or mounted away from sinks and hot surfaces.
- Do not use an extension cord. Plug the charger directly into an electrical outlet.
- Use the charger only in a standard electrical outlet (120V/60Hz).
- Do not attempt to use the charger with any other product; do not attempt to charge this product with any other charger.
- Do not handle plug or appliance with wet hands.
- This appliance is intended for household use only and not for commercial or industrial use.
- Use only as described in this manual. Use only manufacturer's recommended attachments.

SPOTLITER™ RECHARGEABLE LIGHT REPLACEMENT BULB ORDER FORM

Mail Order Form to:

Black & Decker® SpotLiter™ Bulb Offer ,
P.O. Box #600, Hampstead, MD 21074-0600

To place an order by phone,
call toll free, 1-800-258-6003

NAME _____
STREET ADDRESS _____
CITY _____ STATE _____ ZIP _____ PHONE # _____

Method of Payment:

Check or Money Order Payable to: Black & Decker. Do Not Send Cash.
C.O.D. Orders Not Accepted.

VISA MasterCard Discover American Express

CARD NO. _____ EXPIRES _____ CARDHOLDER'S SIGNATURE _____

Offer good only in the United States. Allow 2-3 weeks for delivery. Prices subject to change.

Products listed below are for use with the Black & Decker® SpotLiter™ Rechargeable Light — Model #9360B unless stated otherwise.

OFFICE USE ONLY	PRODUCT DESCRIPTION	PART NUMBER	PRICE EACH	QUANTITY	TOTAL AMOUNT
1	Xenon Bulb	168002-00	\$2.45		\$
1	Kit A - Package of 3 Xenon Bulbs	3-168002-00	\$ 5.00 (\$1.93 Each Save 20%)		\$

Subtotal \$ _____

Local Sales Tax \$ _____
(Except AK, DC, DE, ID, MS, MT, ND, NH, OR, PR, RI, SD, VT, WY)

Shipping & Handling \$ 1.00

TOTAL AMOUNT \$ _____

MISSOURI

KANSAS CITY — 4324 Main St., 64111 816-531-0629
ST. ANN — 3637 North Lindbergh Blvd., 63074
314-739-4661
ST. LOUIS — 12852 Manchester Rd., 63131 314-821-8740

NEBRASKA

OMAHA — 4225 South 84th St., 68127 402-592-5666

NEVADA

LAS VEGAS — 3411 East Charleston Blvd., 89104
702-641-6555

NEW JERSEY

CHERRY HILL — 1444 East Marlton Pike (Rt. 70), 08034
609-429-2822
LITTLE FALLS — 1189 U.S. Hwy. 46, 07424 201-256-9373
SCOTCH PLAINS — 2520 Route #22 East, 07076 908-233-5665

NEW MEXICO

ALBUQUERQUE — 5617 Menaul Blvd., N.E., 87110
505-884-1002

NEW YORK

ALBANY (Latham) — 836 Troy-Schenectady Rd., 12110
518-785-1867
BUFFALO — 881 West Delavan Ave., 14209 716-884-6220
CENTEREACH LI. — 2061-63 Middle Country Rd., 11720
516-737-4706
NEW YORK (Elmhurst) — 77-20 Queens Blvd., 11373
718-335-1042
NEW YORK (Manhattan) — 50 West 23rd St., 10010
212-929-6450
NEW YORK (Westbury, LI.) — 1061 Old Country Rd., 11590
516-997-6140
ROCHESTER — 2969 W. Henrietta Rd., 14623 716-424-1310
SYRACUSE — 3485 Erie Blvd., East, 13214 315-446-3086

NORTH CAROLINA

CHARLOTTE — 3007 East Independence Blvd., 28205
704-374-1779
GREENSBORO — 3716 High Point Rd., 27407 919-852-1300
RALEIGH — 2930 Capital Blvd., 27604 919-878-0357

OHIO

CINCINNATI — 2310 East Sharon Rd., 45241 513-772-3111
COLUMBUS — 3975 East Livingston Ave., 43227
614-237-0461
DAYTON — 2898 South Dixie Drive, 45409 513-298-1951
MAYFIELD HEIGHTS — 5881 Mayfield Rd., 44124
216-449-2770
PARMA HEIGHTS (Cleveland) — 6483 Pearl Rd., 44130
216-842-9100
TOLEDO — 3231 Dorr St., 43607 419-531-8921

OKLAHOMA

OKLAHOMA CITY — 1318 Linwood Blvd., 73106
405-232-7515
TULSA — 3120 S. Sheridan Rd, 74145 918-622-5666

OREGON

PORTLAND — 1640 NW Johnson St., 97209
503-228-8631

PENNSYLVANIA

ALLENTOWN (Whitehall) — 2242 MacArthur Rd., 18052
215-435-9544
EVANS CITY — Cranberry Town Center Plaza, 20808 Rt. 19 N., 16033
412-779-9600
HARRISBURG — 6080 Allentown Blvd., 17112 717-545-0651
LANCASTER — 118 Keller Ave., 17601 717-393-5251
PHILADELPHIA — 9977-81 Bustleton Ave., 19115
215-464-7771
PHILADELPHIA — 333 North 20th St., 19103 215-564-5520
PITTSBURGH — 5437 Baum Blvd., 15232 412-362-2700
WILKES-BARRE — 759 Kidder St., 18702 717-824-5704

PUERTO RICO

GUAYNABO — "C" Street # 14, Rexco Industrial Park, 00922-1924
809-783-3535

RHODE ISLAND

SEEKONK, MA — 120 Highland Ave., 02771 508-336-6510

SOUTH CAROLINA

GREENVILLE — 1557 Laurens Rd., 29607 803-232-3038

TENNESSEE

CHATTANOOGA — Perimeter Place Shopping Ctr., Sp. E,
6231 Perimeter Dr., 37421 615-894-5957
KNOXVILLE — 4118 North Broadway, 37917 615-688-0921
MEMPHIS — 1085 East Brooks Rd., 38116 901-332-3444
NASHVILLE — 4811 Nolensville Rd., 37211 615-833-8277

TEXAS

AMARILLO — 3008 West 6th Ave., 79106 806-373-1531
AUSTIN — 6549 Burnet Rd., 78757 512-459-1133
DALLAS — 2257 Royal Lane, 75229 214-620-8655
EL PASO — 6822 Gateway East, 79915 915-778-9769
FORT WORTH — 721 North Beach St., 76111 817-831-3828
GARLAND — 78 West Centerville Rd., 75043 214-686-9302
HOUSTON — 536 East Tidwell Rd., 77022 713-692-7111
SAN ANTONIO — 500 Culebra Ave., 78201 210-732-1221
WEBSTER — 100 East Nasa Road One, Ste. 75, 77598 713-338-4556

UTAH

SALT LAKE CITY — 1541 S. Third West St., 84115 801-486-5828

VIRGINIA

FALLS CHURCH — 344 W. Broad St., 22046 703-533-7313
HAMPTON — 3416 W. Mercury Blvd., 23666 804-826-9382
NORFOLK — 7631 Sewells Point Rd., 23513 804-480-3333
RICHMOND — 1424 Chamberlayne Ave., 23222 804-649-9245

WASHINGTON

SEATTLE — 421 S. Michigan, 98108 206-763-2010
SPOKANE — N. 7011 Division St., 99208 509-467-8190
TACOMA — 2602 S. 38th St., 98409 206-473-6040

WEST VIRGINIA

CHARLESTON — 1638 Sixth Ave., 25312 304-343-0289

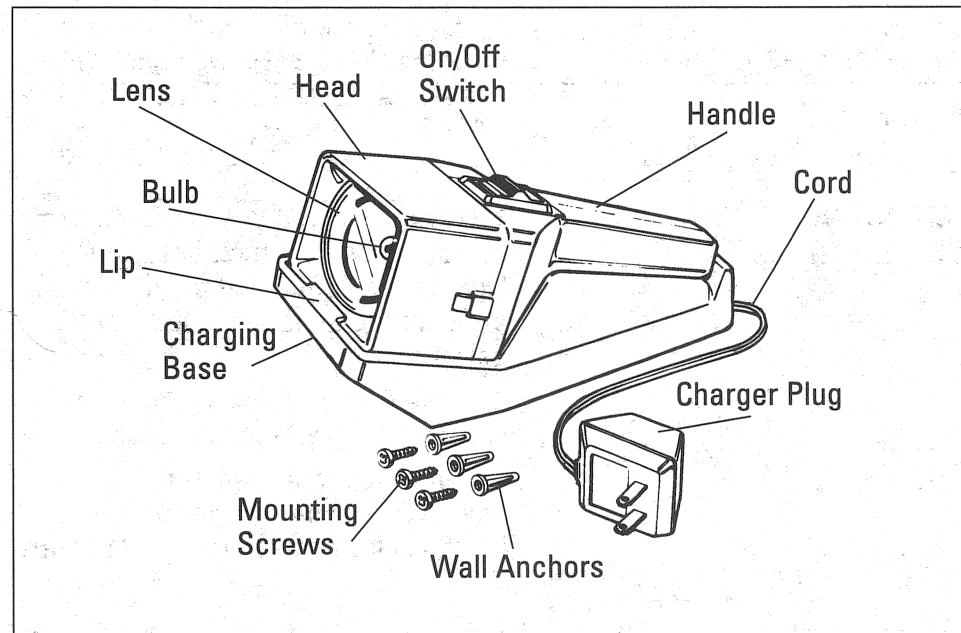
WISCONSIN

MILWAUKEE (Wauwatosa) — 10424 W. Bluemound Rd., 53226
414-453-4240

REV: 8/94

- Unplug the charger from outlet before any routine cleaning or maintenance.
- This product contains nickel-cadmium batteries, bound together in a pack, which must be recycled or disposed of properly at the end of the life of the Light (see "Battery Removal and Disposal" page 9, and "Disposal" page 10). Do not incinerate or compost the battery pack as it will explode at high temperatures.
- Leaks from battery cells can occur under extreme conditions. If the liquid, which is a 20-35% solution of potassium hydroxide, gets on the skin (1) wash quickly with soap and water or (2) neutralize with a mild acid such as lemon juice or vinegar. If the liquid gets into the eyes, flush them immediately with clean water for a minimum of 10 minutes. Seek medical attention.

SAVE THESE INSTRUCTIONS



Charging Procedure

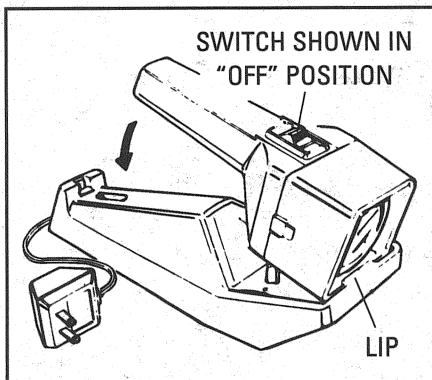


Figure 1

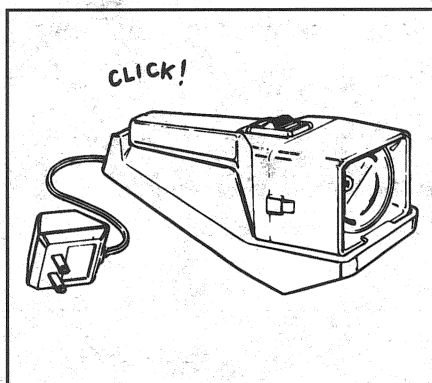


Figure 2

1. Place the SpotLITER™ Light into the Base by first putting the Lens end of the Light under the Lip at the lower end of the Base. (Figure 1) Then push the Handle end down until you hear a click. (Figure 2)

2. Plug charger Plug into a 120 volt receptacle. The Charger Plug can only be used with 60 cycle 120 volts A.C. (normal house current). The Charger Plug is designed to be left plugged in at all times.

3. The SpotLITER™ Light is designed so that it is continuously charging while the Light is mounted in the Charging Base. It is recommended that the SpotLITER™ Light be kept on charge in the Base so that it will always be ready to use. The batteries require 24 hours to reach full capacity, and 10 hours to reach 60% capacity.

4. The exposed electrical terminals mounted in the Base are at low voltage A.C. AND ARE NOT A SHOCK HAZARD.

IMPORTANT CHARGING NOTES

1. Longest life and best performance can be obtained if the SpotLITER™ Light is used often and the batteries are charged at normal household temperatures.
2. While charging, the Charger Plug will become warm to the touch.
3. If after repeated use, the running time seems to get shorter and the Light has less power, it may not be the

BLACK AND DECKER COMPANY-OWNED SERVICE CENTERS

ALABAMA

BIRMINGHAM — 2412 Green Springs, Hwy., 35209
205-942-0538
MOBILE — 3831 Airport Blvd., 36608 205-343-6624

ALASKA

ANCHORAGE — 910 West International Airport Rd., 99518
907-563-4664

ARIZONA

MESA — 535 South Dobson Rd., Suite 7, 85202
602-461-1074
PHOENIX — 4501 N. 7th Ave., 85013 602-279-6414
TUCSON — 4845 E. Speedway Blvd., 85712 602-323-3388

ARKANSAS

LITTLE ROCK — 519 W. Seventh St., 72201 501-372-3040

CALIFORNIA

ANAHEIM — 540 South State College Blvd., 92806
714-772-4050
CHULA VISTA — 309 Broadway, 91911 619-420-6350
CONCORD — 1500 Monument Blvd., #C2, 94520
510-682-4880
FRESNO — 5412 North Blackstone Ave., 93710 209-435-0810
LONG BEACH — 2011 South St., 90805 310-422-5825
LOS ANGELES — 4820 South Eastern Ave., Suite "L" 90040
213-720-1834
RIVERSIDE — 6215 Magnolia Ave., Suite B, 92506
714-787-9700
SACRAMENTO — 2033 Fulton Ave., 95825 916-972-9090
SAN DIEGO — 9270 Clairmont Mesa Blvd., 92123
619-279-2011
SAN JOSE — 1185 South Bascom Ave., 95128 408-293-7350
SAN LEANDRO — 15206 East 14th St., 94578 510-276-1610
VAN NUYS — 14920 Victory Blvd., 91411 818-787-5531

COLORADO

DENVER — 1171 South Federal Blvd., Box 18220, 80219
303-922-8325

CONNECTICUT

HARTFORD — 662 Silas Deane Hwy., 06109 203-563-5800
ORANGE — 481 Boston Post Rd., 06477 203-795-3583

DISTRICT OF COLUMBIA

COLMAR MANOR, MD — 4153 Bladensburg Rd., 20710
301-779-3808
FALLS CHURCH, VA — 344 W. Broad St., 22046
703-533-7313

FLORIDA

FT. LAUDERDALE — 799 East Oakland Pk. Blvd., 33334
305-566-5102
FT. MYERS — 5224 Bank St., 33907 813-278-1188
JACKSONVILLE — 920 Cassat Ave., 32205 904-781-2253
MIAMI — 13345 North West Seventh Ave., 33168
305-681-6658
MIAMI — 12233 South Dixie Hwy., 33156 305-232-9497
ORLANDO — 3807 East Colonial Dr., 32803 407-894-7011
ST. PETERSBURG — 5635 49th St. North, 33709
813-525-0273
TAMPA — 3432 West Kennedy Blvd., 33609 813-872-8317
WEST PALM BEACH — 310 South Military Trail, 33415
407-689-3247

GEORGIA

ATLANTA (South) — 5330 Old National Hwy., 30349 404-762-8844
SMYRNA — 2550 Cobb Parkway South, 30080 404-956-0869
STONE MOUNTAIN — 5723 Memorial Dr., 30083 404-292-4714

HAWAII

HONOLULU — Unit No. 106, Sand Island Access Rd., 96819
808-847-7447

ILLINOIS

CHICAGO (Lincolnwood) — 6710 North Crawford Ave., 60646
708-673-0923
DES PLAINES — 1277 South Elmhurst Rd., 60018 708-364-5220
LISLE — 2950 Ogden Ave., Unit H, 60532 708-717-1075
MOLINE — 4433 23rd Ave., 61265 309-762-3000
OAK LAWN — 6343 W. 95th St., 60453 708-423-7212
WAUKEGAN — 31 S. Greenbay Rd., 60085 703-249-4390

INDIANA

EVANSVILLE — 307 First Ave., Crescent Ctr., 47710 812-425-4269
HAMMOND — 7103 Kennedy Ave., 46323 219-845-5100
INDIANAPOLIS (Speedway) — 5999 Crawfordsville Rd., 46224
317-243-8308

IOWA

DES MOINES — 3427 Merle Hay Rd., 50310 515-270-1340

KANSAS

WICHITA — 155 South West St., 67213 316-943-1271

KENTUCKY

LOUISVILLE — 5211 Preston Hwy., 40213 502-968-7100

LOUISIANA

BATON ROUGE — 11859 Florida Blvd., 70815 504-272-8111
HARVEY — 2500 Lapalco Blvd., 70058 504-366-8676
METAIRIE (New Orleans) — 3504 North Causeway Blvd., 70002
504-837-2550
SHREVEPORT — 7710-7714 Jewella Rd., 71108 318-688-1553

MARYLAND

BALTIMORE — 4712 Erdman Ave., 21205 410-485-5550
BALTIMORE — 29-31 Cranbrook Rd., Cockeysville, 21030
410-666-5966
COLMAR MANOR (Wash. D.C.) — 4153 Bladensburg Rd., 20722
301-779-3808
PASADENA — 8220 Ritchie Hwy., 21122 410-647-8456

MASSACHUSETTS

BRIGHTON (Boston) — 12 Market St., 02135 617-782-6264
SEEKONK — 120 Highland Ave., 02771 508-336-6510

MICHIGAN

GRAND RAPIDS — 3040 28th St. SE, 49512 616-949-8331
LANSING — 3205 W. Saginaw Hwy., 48917 517-323-4181
WARREN — 27035 Van Dyke Blvd., 48093 313-756-6711
WESTLAND — 8067 N. Wayne Rd., 48185 313-427-1520

MINNESOTA

BLOOMINGTON — 9517 Lyndale Ave., South, 55420 612-884-9191

FULL TWO-YEAR WARRANTY

Black & Decker (U.S.) Inc. warrants this product against any defects that are due to faulty material or workmanship for a two-year period after the original date of consumer purchase or receipt as a gift. This warranty does not include damage to the product resulting from accident or misuse.

If the product should become defective within the warranty period, we will repair it or elect to replace it free of charge. We will return your product, transportation charges prepaid, provided it is delivered prepaid to any Black & Decker (U.S.) Inc., Household Appliance Company-Owner or Authorized Service Center.

This warranty gives you specific legal rights, and you may also have other rights which vary from state to state.

Answers to any questions regarding warranty or service locations may be obtained by calling toll free, 1-800-231-9786, or by writing:

Consumer Assistance & Information
Black & Decker (U.S.) Inc.
626 Hanover Pike
Hampstead, MD 21074-0618



Listed by Underwriters Laboratories Inc.
Copyright 1989, 1990, 1993, 1994 Black & Decker
Pub. No. 168642-19-RV03
Printed in U.S.A.

result of a faulty unit. You can correct the problem by leaving the unit on until the Light becomes dim. Then recharge the unit for 24 hours. This procedure improves the capacity of the battery pack. You may need to repeat this a few times for best results.

4. If the Light does not function, check to see if the Charger Plug is plugged into an outlet; make sure the outlet is not controlled by a wall switch. Also check for a blown household fuse.

Mounting The Charging Base

CHOOSING A CHARGING LOCATION

1. Charge the Light indoors; never expose it to the weather.
2. Do not store the SpotLiter™ Rechargeable Light in locations where the temperature may reach 120°F or more (such as outside sheds or metal buildings in the summer).
3. Do not charge the batteries when the temperature is below +40°F or above +105°F. Damage to batteries may occur.
4. Mount the Charging Base away from water, a high heat source, or flame. Keep the cord away from sharp edges, oil, and other chemicals.
5. Use the Charger Plug only with standard household outlets (120 volts A.C., 60 Hz).

HOW TO MOUNT THE CHARGING BASE

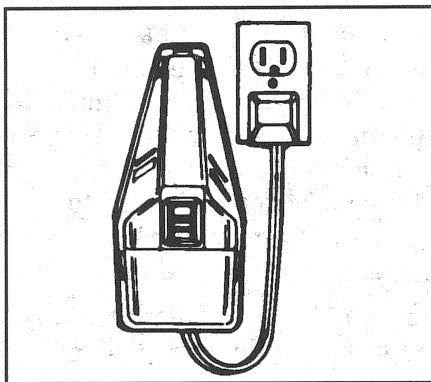


Figure 3A

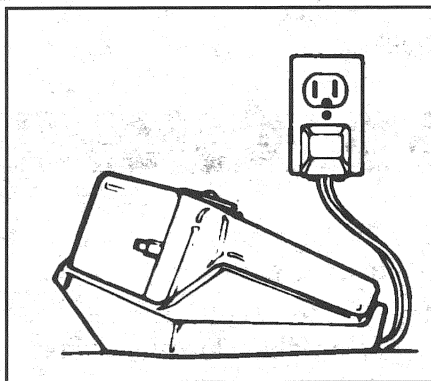


Figure 3B

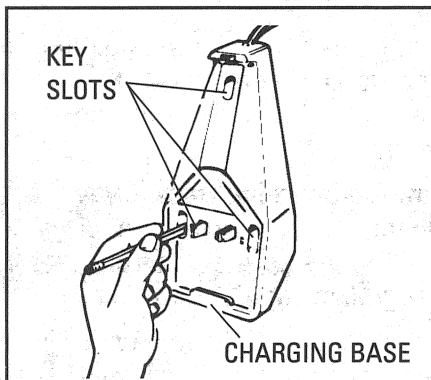


Figure 4

1. The Charging Base is designed to be mounted vertically on a wall or horizontally on a shelf or other surface. (Figure 3A & 3B) Mounting the Light will enable you to find it easily in case of an emergency.

2. To mount the Charging Base:

- Place it against the surface where it is to be mounted. Mark screw centers at the small end of all key slots. (Figure 4)

CAUTION: Safety glasses should be worn any time a drill is being used. When drilling, take care to avoid any electrical wiring located behind the wall.

- If mounting the Base to drywall or plaster, drill 3/16" diameter holes on the marked centers and push the plastic wall anchors (included in the hardware) fully into the holes.

NEED SERVICE OR ACCESSORIES?

To help avoid this, Black & Decker has begun a comprehensive, nationwide program of Ni-Cd battery recycling. We're pitching in to keep rechargeable Ni-Cd batteries out of the waste stream.

Here's how you can help. When your Black & Decker cordless tool or appliance no longer holds a charge, take it to your local Black & Decker Service Center. Or, if you prefer, send the product to an authorized Service Center with a note asking us to remove and recycle the Ni-Cd batteries. We will see to the proper disposal of the batteries, battery pack, and/or product. If you wish, follow the battery pack removal instructions on page 9 of this booklet and contact your local municipality for proper battery disposal instructions.

If you have any further questions about Black & Decker's Ni-Cd battery recycling program or need to locate the Service Center nearest you, call our Consumer Assistance & Information Department toll free at 1-800-231-9786.

Service, if necessary, must be performed by a Black & Decker (U.S.) Inc., Household Appliance Company-Owned or Authorized Service Center. The Service Center nearest you can be found in the yellow pages of your phone book under "Appliances-Small-Repairing."

If mailing or shipping your SpotLiter™ Rechargeable Light, pack it carefully in any sturdy carton with enough packing material to prevent damage. Include a note describing the problem to our Service Center and be sure to give your return address. We also suggest that you insure the package for your protection.

Consumer-replaceable parts and accessories are also available at Black & Decker (U.S.) Inc., Household Appliance Company-Owned (see pgs. 13-14 for list) or Authorized Service Centers or can be mail ordered using the order form in this manual.

Disposal:

The battery pack or the entire product can be taken to a Black & Decker (U.S.) Inc., Household Appliance Company-Owned or Authorized Service Center for proper disposal. If you wish to purchase a new battery pack, a Service Center technician will install it at no charge and arrange for recycling the old battery pack. Do not dispose of in an incinerator or landfill.

For more information on recycling nickel-cadmium batteries, call our Consumer Assistance & Information Department toll free at 1-800-231-9786.

WHY YOU SHOULD RECYCLE YOUR RECHARGEABLE BATTERIES

In the past decade, we have all become accustomed to the power and convenience of handheld, rechargeable power tools and appliances. Most of these tools and appliances are powered by nickel-cadmium batteries (Ni-Cd).

Unlike alkaline batteries that may last only a few days before needing replacement, Ni-Cd batteries can be recharged over and over again. In addition, these batteries need not contribute to our country's growing waste disposal problem - as alkaline batteries do - because they can be recycled. They should not be disposed of, incinerated, or composted.

Though Ni-Cd batteries last far longer than alkaline batteries - usually from 5 to 7 years - they eventually will no longer hold a charge. When that happens, many consumers throw away the batteries or the product itself. That is both wasteful and harmful to the environment. When you throw away a Ni-Cd battery, it contributes to the waste disposal problem.

Bulb Replacement

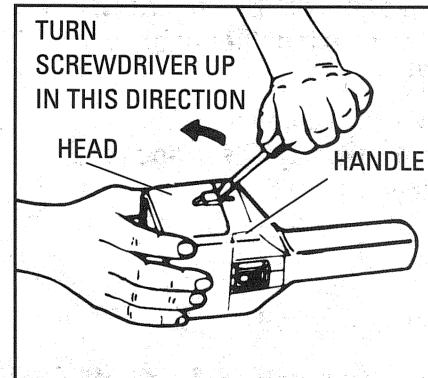


Figure 5

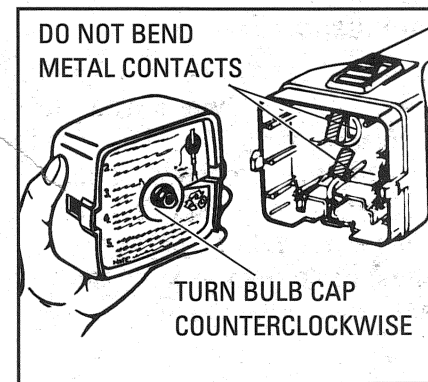


Figure 6

- Turn the screws into the wall leaving 1/4" of the screws exposed. Place the Base on the mounting screws and slide into place. Tighten screws snugly against the base.
- If the Base is to be mounted close to an outlet, the excess cord can be tied and folded or wrapped in the cord storage area on the underside of the Base. The cord can slide into the slots on the sides of the Charging Base.

1. To reach the Bulb, the Head can be removed from the Handle by inserting the flat tip of a screwdriver into the slot located on the side of the Head. Lift the screwdriver up slightly to release the Head from the Handle. (Figure 5)

NOTE: Two bright metal contacts will be exposed inside the housing. Care should be taken not to bend these when disassembling and reassembling. (Figure 6)

2. Remove the Bulb from the back of the reflector and replace it with a new Bulb. (Figure 6)

A replacement bulb is available at any Black & Decker (U.S.) Inc., Household Appliance Company-Owned or Authorized Service Centers or on the order form located on the back page of this book. (For your convenience, a

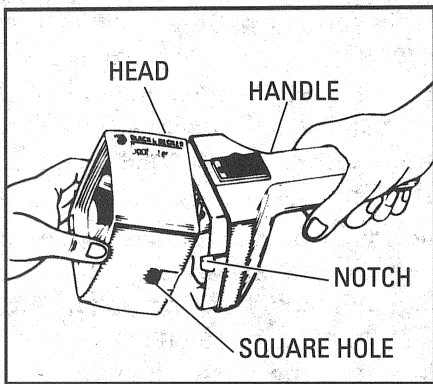


Figure 7

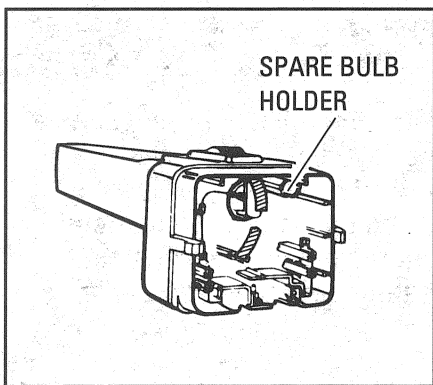


Figure 8

complete listing of our Company-Owned Service Centers can be found on pgs. 13-14.) Also KPR102 or K-2 Krypton bulbs, or PR2 bulbs may be substituted, and are available at many retail stores. The performance of these bulbs is less than the Xenon bulb, but may be used satisfactorily.

3. Position the Head so that the SpotLite™ name is on the same side as the On/Off Switch. Hold the Head in one hand and the Handle in the other. Slide the square hole on the side of the Head over the Notch on the side of the Handle. With firm pressure, press the Head and Handle until they snap together. Do not attempt to snap both sides together at once. (Figure 7)

4. For your convenience, a built-in holder provides handy storage for a spare bulb. (Figure 8)

Care Guide

Cleaning Plastic Parts

Use only mild soap (no abrasives) and a cloth dampened with warm water to clean the plastic parts. Avoid all other types of detergents, cleaners, or solvents which might contain chemicals that could seriously damage the plastic. For best performance, keep the Lens clean using a damp cloth.

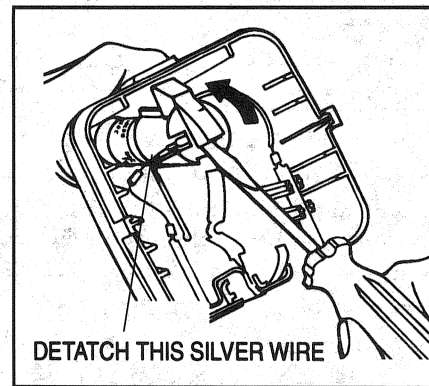


Figure 9

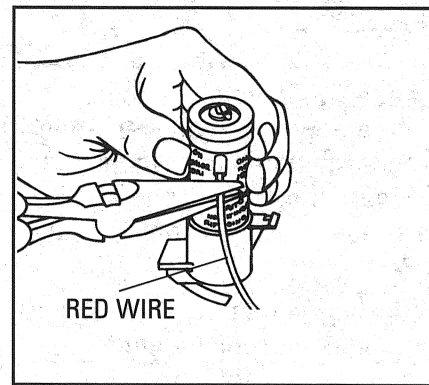


Figure 10

Battery Removal and Disposal

This product contains two rechargeable and recyclable nickel-cadmium batteries bound together in a pack. When the battery pack can no longer be charged, it should be removed and recycled (See "Removal" below). The battery pack must not be incinerated or composted. (See "Disposal" page 10)

Removal

Open the unit as described in "Bulb Replacement" on page 7. You will see a battery removal instruction sheet in the head portion to aid you in removing the battery pack. To remove the battery pack, you will need two common household tools: a pliers and a flat-blade screwdriver.

If the batteries have leaked, protective gloves should be worn before touching the battery pack. Insert a flat-blade screwdriver into the battery cap and twist counterclockwise.

Using pliers, remove the silver wire from the battery pack. (Figure 9) Turn the Light over and shake gently to free the battery pack. Using pliers, remove the red wire from the battery pack just as you removed the silver wire. (Figure 10)

IMPORTANT: DO NOT ATTEMPT TO REMOVE THE PLASTIC COVERING FROM THE BATTERY PACK. DO NOT ATTEMPT TO REPLACE THE BATTERIES WITH ANY BATTERIES OTHER THAN THOSE SUPPLIED BY THE MANUFACTURER.