

MACHINE MODEL

MOTOR ASS'Y

3436-06 & 10	220/380	3 ph.	50 cy.	80786-83
3436	208-240/480	3 ph.	60 cy.	80786-98
3436-09	550-600	3 ph.	60 cy.	80786-96
3436-02	208-220/440	3 ph.	50/60 cy.	80786-75

MACHINE MODEL

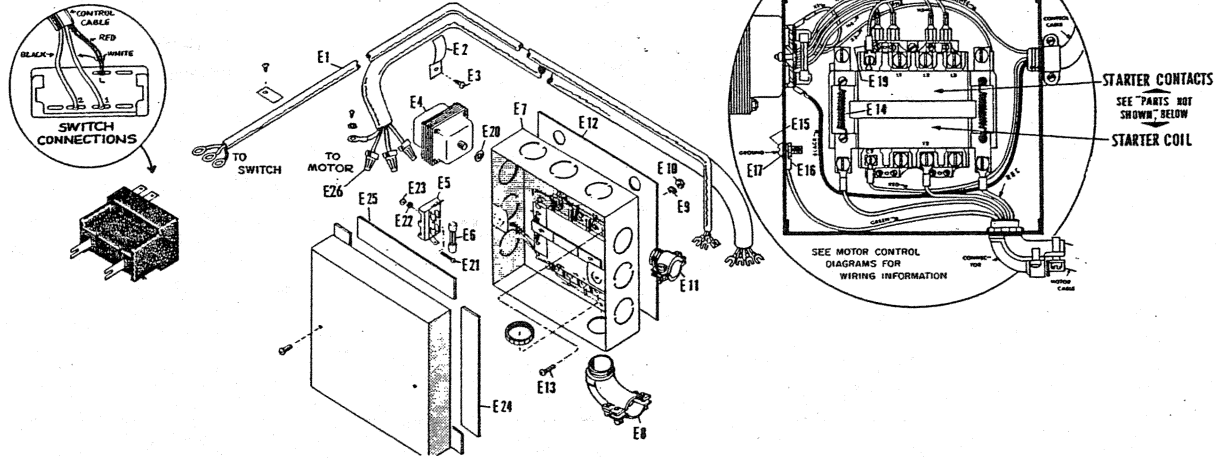
MOTOR ASS'Y

7790-08/3431-08	120/240	1 ph.	50/60 cy.	68863-66
7790-02/3431-02	120/230-250	1 ph.	50 cy.	68863-45
7790/3431	120/208-240	1 ph.	60 cy.	68863-59
7791/3432	120/208-240	1 ph.	60 cy.	68863-59

Identification	Description	SINGLE PHASE		THREE PHASE		Identification	Description	SINGLE PHASE		THREE PHASE	
		Quantity	Part No.	Quantity	Part No.			Quantity	Part No.	Quantity	Part No.
1	Bearing Cap	1	545405	1	545405	24	Retaining Ring	1	81869	1	81869
2	Bearing	1	80510	1	80510	25	Fan Housing	1	83148	1	83148
3	Arbor End Bell	1	545404	1	545404	26	Hex Cap Nut (8-32)	4	81934	4	81934
4	Tie Rod	4	545611	4	545611	27	Lead Bushing	1	545275	1	545275
5	Cover Plate	1	86523	1	86523	28	Capacitor Assem.	1	500141	—	—
6	Arbor Spacer	1	80105-01	1	80105-01	29	Lead Terminal	3	81750	2	81750
7	Pan Hd. Screw (8-32 x 1-1/8)	4	99276-18	4	99276-18	30	Tube Clamp	1	500139	3	81767
9	Arbor Collar	2	80465	2	80465	31	Mach. Screw (8-32 x 1)	2	82321	6	220/380, 3 ph, 50 cy only
11	Arbor Nut	1	80109	1	80109	32	Box	1	80784	1	545813
12	Shaft Wrench	1	80137	1	80137	33	Connector	2	32114-01	6	32114-01
13	Arbor Wrench	1	80138	1	80138	34	Washer, Everlock (#8)	1	33985	1	33985
14	Rotor and Shaft	1	545706	1	545706	35	Self Tap Screw 8-32 x 5/16	2	80598	1	80598
15	Fan End Bell Insulation	1	201893	1	201893	36	Bushing	1	81729	1	80562
16	Stator	—	—	1	545973-98	37	Motor Cable	1	65410	1	500263-01 500273 220/380, 3 ph, 50 cy only
	208-240/480 (3 ph 60 cy)	—	—	1	545973-96	38	Cable Bushing	1	80820	1	542705-01
	550-600 (3 ph 60 cy)	—	—	1	545973-96	39	Self Tap Screw	4	80595	1	80595
	120/208-240 (1 ph 60 cy)	1	80475-59	—	—	41	Overload Protector	1	65927	—	—
	120/230-250 (1 ph 50 cy)	1	80475-45	—	—	42	Felt Washer	1	545012	—	—
	120/240 (1 ph 50/60 cy)	1	80475-66	—	—	43	Standoff Bushing	2	545274	—	—
	220/380 (3 ph 50 cy)	1	—	—	545973-83	44	Felt Washer	1	500314	1	500314
	208-220/440 (3 ph 50/60 cy)	1	—	—	545973-75	45	Paper Gasket	1	545273	1	545273
17	Guard Stud	1	539007	1	539007	46	Specification Plate	1	63912	1	63911
18	Centrif Mechanism	1	545407	1	545848	47	Self Tap Screw (#4 x 5/16)	4	82289	4	82289
19	Brake Sleeve	1	545414	1	—	48	Relay	1	500131	—	—
20	Bearing	1	81472	1	81472	49	Lock Washer (#8)	4	82506	4	—
21	Fan End Bell	1	545281	1	545281	50	Pan Hd. Screw 6-32 x 1/4	2	99261-04	2	—
22	Hex Nut (8-32) 5/16 Across Flat	6	81967	4	81967	51	Load Spring	1	82495	1	82495
23	Fan	1	545515	1	545515	52	Brake Clip	1	203356	1	203356
						53	Motor Decal	1	63914	1	63914-01

MAGNETIC STARTER PARTS

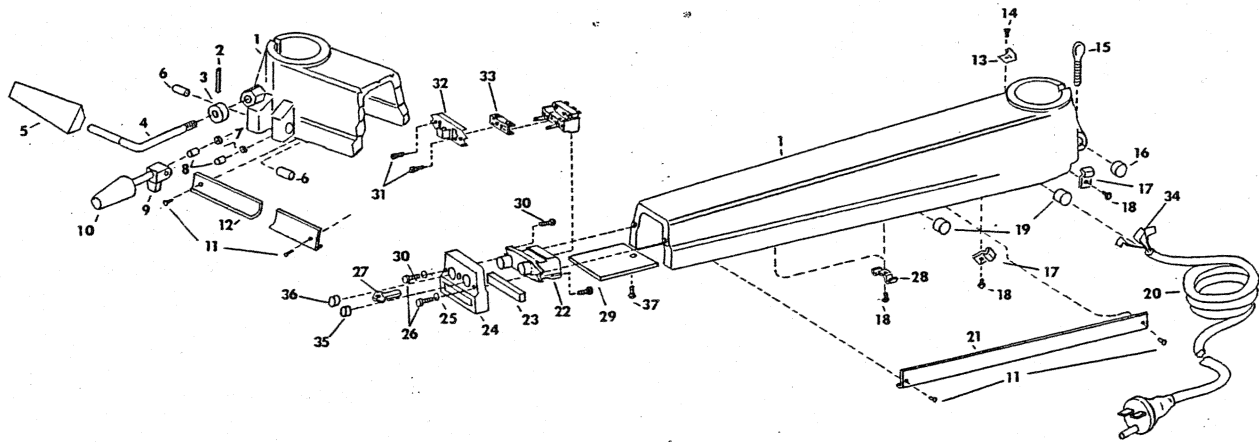
3 PHASE ONLY



Identification	Description	Quantity	Part No.
E1	Control Cable	1	203952-01
E4	Control Transformer 208-240/480 Volts; 220/380 Volts; 208-220/440 Volts)	1	81710
	(Includes Item E-20)		
	Control Transformer (550-600 Volts)	1	81711
	(Includes Item E-20)		
E5	Fuse Block	1	81559
E6	Fuse	1	81554
E7	Magnetic Starter (208-240/480 Volts; 220/380 Volts; 208-220/440 Volts)	1	201829 (Incl. Items E4, E5 & E6)
	Magnetic Starter (550-600 Volts)	1	201829-01 (Incl. Items E4, E5 & E6)
E8	Strain Relief Bushing	1	80561
E9	#10 Lock Washer	3	82507
E10	Hex Nut (10-24)	3	81953
E11	Strain Relief Bushing	1	54691
E12	Gasket	1	67684
E13	Rd. Hd. Machine Screw	3	82337
E14	Thermal 208-240 Volt	2	81660
	220 Volt	2	81661
	440-480 Volt	2	81687
	550-600 Volt	2	81688
	380 Volt	2	81672
E15	Rd. Hd. Brass Screw (10-32 x 1/2)	1	82298
E16	#10 Washer	1	82507
E17	Hex Brass Nut (10-32)	1	617
E19	Lead Terminal	3	81769
E20	Nut	1	81736
E21	Screw (6-32 x 1/2) RHM	1	82335
E22	#6 Washer	1	82505
E23	6-32 Hex Nut	1	12226
E24	Seal Strip	2	66045-01
E25	Seal Strip	2	66045-02
E26	Wire Nut	6	80563 (208-240/480 Volts; 220/380 Volts; 208-220/440 Volts)
		3	80563 (550-600 Volts)

Parts Not Shown:

Starter Coil 110 Volts	1	83098
Starter Contacts	1	69348



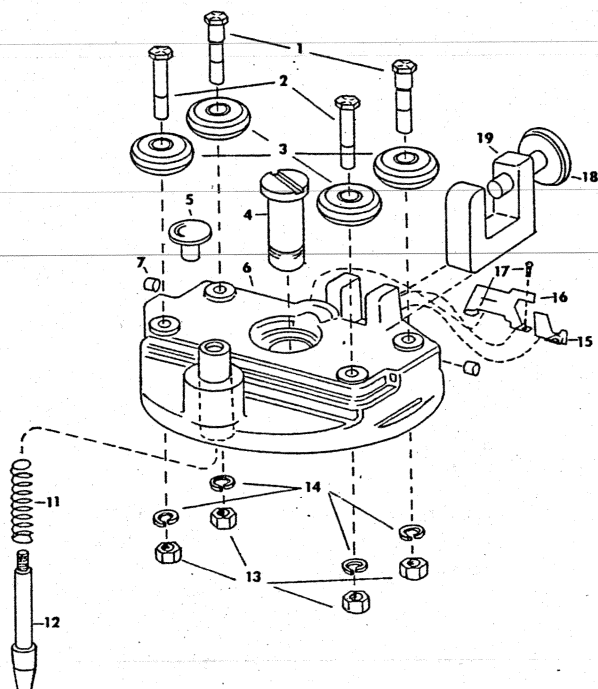
ARM ASSEMBLY

Identification	Description	1 PHASE		3 PHASE	
		Quantity	Part No.	Quantity	Part No.
	Arm Assembly (Complete)		203647		203647-01
1	Arm	1	203182-02	1	203879-01
2	*Roll Pin (5/30 x 1-1/2)	1	80582	1	80582
3	*Collar	1	100341	1	100341
4	*Clamp Rod	1	203574	1	203574
5	Handle Grip	1	203585-01	1	203585-01
6	Miter Adjusting Screw	2	103525	2	103525
7	Set Screw Slug	2	103522	2	103522
8	Soc. Hd. Cup Pt. Set Screw (1/4-20-1/4)	2	82387	2	82387
9	Miter Latch	1	203577	1	203577
10	Handle Grip	1	80066	1	80066
11	Self Tap Screw (6-32 x 1/4)	1	80603	1	80603
12	Arm Name Plate	1	203626	1	203626
13	Miter Pointer	1	203597	1	203597
14	Self Tap Screw (8-82 x 1/4)	1	52512	1	52512
15	Cotter Pin	1	82023	1	82023

*Supplied as an assembly only under part number 203571.

**Used with 3 phase magnetic switch only.

Identification	Description	1 PHASE		3 PHASE	
		Quantity	Part No.	Quantity	Part No.
16	L. H. Hex Nut (3/8-16)	1	81965	1	81965
17	Cable Strap	2	81777	2	81772
18	Self Tap Screw (8-32 x 3/8)	4	80489	4	80489
19	Bushing	2	542705	3	542705
20	Plug and Cable Set	1	65410	—	—
21	Rip Scale	1	203625	1	203625
22	Push Button Switch Assem. (Incl. 31 & 32)	1	203885	1	203415**
23	Bumper	1	203065	1	203065
24	Arm End Cap (Incl. 23)	1	203207-01	1	203207-01
25	Lock Washer (#10)	2	82516	2	82516
26	Fill. Hd. Mach. Screw (10-24 x 3/4)	2	82385	2	82385
27	Switch Key	1	85283	1	85283
28	Cable Clip	2	81712	2	81777
29	Switch Cover	1	203166	1	203166
30	6-32 x 5/16 Self Tap Scr.	2	82261	2	82261
31	#6 x 3/8 Ph. Hd. Tap Scr.	2	83054	2	83054
32	Switch Support	1	203358	1	203358
33	Switch Slide Lock	1	207061	1	207061
34	Terminal Lug	3	81750	4	81750
35	Black Button	1	207070	1	207070
36	Red Button	1	207070-01	1	207070-01
37	Self Tap Screw 8-32 x 1/4	1	82236	1	82236

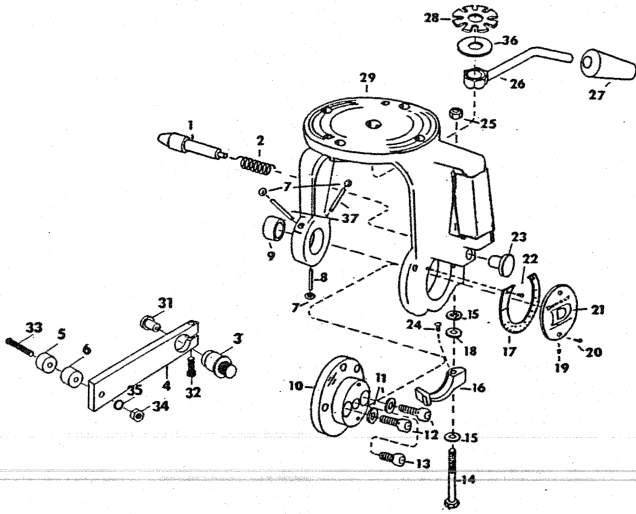


ROLLERHEAD ASSEMBLY

Identification	Description	Quantity	Part No.
1	Bearing Shaft (Eccentric)	2	203682
2	Bearing Shaft (Concentric)	2	203681
3	Ball Bearing	4	80970
4	King Bolt	1	70475
5	Knob, Plastic	1	69532-01
6	Rollerhead	1	203664-04
7	1/4-20 x 1/4 Hol. Cup Set Screw	2	82387
11	Spring, Latch	1	101506
12	Locating Pin	1	100432
13	5/16-24 Hex Nut	4	80470
14	5/16 Lock Washer	4	84319
15	Pointer, Out-rip	1	203765
16	Pointer, In-rip	1	203764
17	Screw, Pan Hd., Self Tap #6-32 NC x 1/4	2	99247-04
18	Clamp Screw	1	204367
19	Rip Lock	1	83130
	Complete Assembly (Includes 1-19)		203649

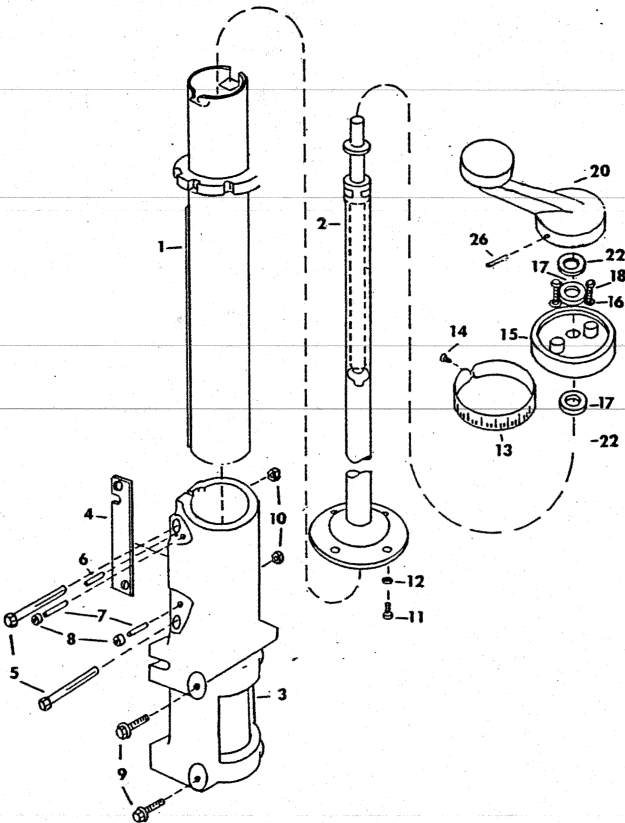
YOKE ASSEMBLY

Identifi- cation	Description	Quan- tity	Part No.
1	Locating Pin	1	119510
2	Latch Spring	1	101506
3	Support Screw	1	80792
4	Bumper Support	1	80793
5	Bumper	1	80794
6	Spacer	1	80795
7	# 10-24 Hex Nut	3	81953
8	# 10-24 x 1 Soc. Cup Pt. Set Screw	1	80652
9	Trunnion Bushing	1	119508
10	Dial Plate	1	303039
11	Washer	2	203085
12	5/16-18 x 1-1/4 Soc. Hd. Cap Screw	2	82172
13	3/8-16 x 1 Soc. Hd. Cap Screw	1	82169
14	3/8-16 x 2-1/2 Hex Hd. Cap Screw	1	82124
15	Washer	1	203802
16	Bevel Handle	1	84353-01
17	Bevel Protractor	1	203642
18	Washer	2	203663-01
19	Bevel Pointer	1	203588
20	# 8-32 x 1/4 Rd. Hd. Mach. Screw	2	80604
21	Medallion	1	203587
22	# 6-32 x 1/4 Rd. Hd. Screw (Phil)	2	80611
23	Plastic Knob	1	69532-00
24	# 4-40 x 1/4 Pan Hd. Screw	1	82246
25	Hex Jam Nut 3/8-16	1	99364-05
26	Clamp Assembly	1	203751
27	Handle	1	80066
28	Yoke Clamp Adjuster	1	80464
29	Yoke	1	203665-03
31	Plug Bumper	1	80796-01
32	Soc. Hd. Cap Screw (1/4-20 x 1")	1	82190
33	Rd. Hd. Mach. Screw (# 8-32 x 1-1/2")	1	82722
34	Hex Nut (# 8-32)	1	81952
35	Lockwasher # 8	1	82506
36	Shim Washer	1	539162
37	10-24 x 1-1/4 Set Screw	2	82413

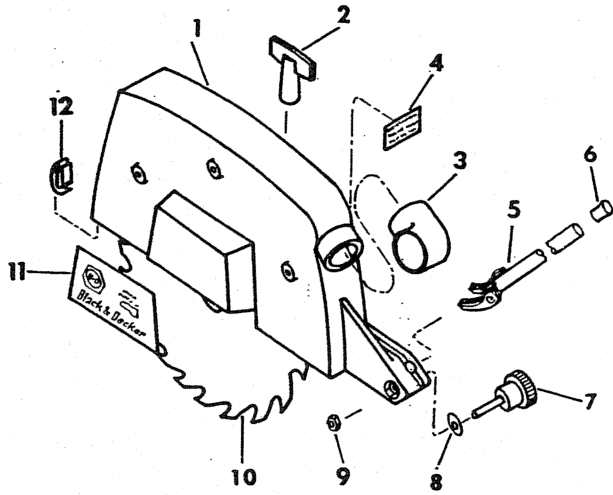


BASE AND COLUMN

Identifi- cation	Description	Quan- tity	Part No.
1	Column	1	203139-01
2	Support Tube, Bridge and Screw Assembly	1	203141-02
3	Base	1	83448-03
4	Gib	1	203638
5	Hex Hd. Cap Screw, 3/8-16 x 2-3/4	2	82127
6	Socket Cup Set Screw Pt. 1/4-20 x 5/8	1	80654
7	Socket Flat Pt. Set Screw 1/4-20 x 1	2	80167
8	Jam Nut, 1/4-20	2	81984
9	Sems Hex Hd. Cap Screw 5/16-18 x 3/4	6	82160
10	Jam Nut, 3/8-16	2	81986
11	Button Socket Hd. Cap Screw # 10-24 x 1/2	4	82220
12	Lock Washer # 10	4	82507
13	Miter Scale	1	203602
14	Drive Screw, Type "U" # 7 x 5/16	1	82280
15	Thrust Cap	1	203661-05
16	Lock Washer 1/4	2	84173
17	Shim Washer	3	100245
18	Rd. Hd. Mach. Screw, Phill 1/4-20 x 1	2	82286
20	Elevating Arm (Incl. Item 26)	1	71917
22	Shim Washer	1	103564
26	1/4-20 x 1/2" Set Screw	1	80648

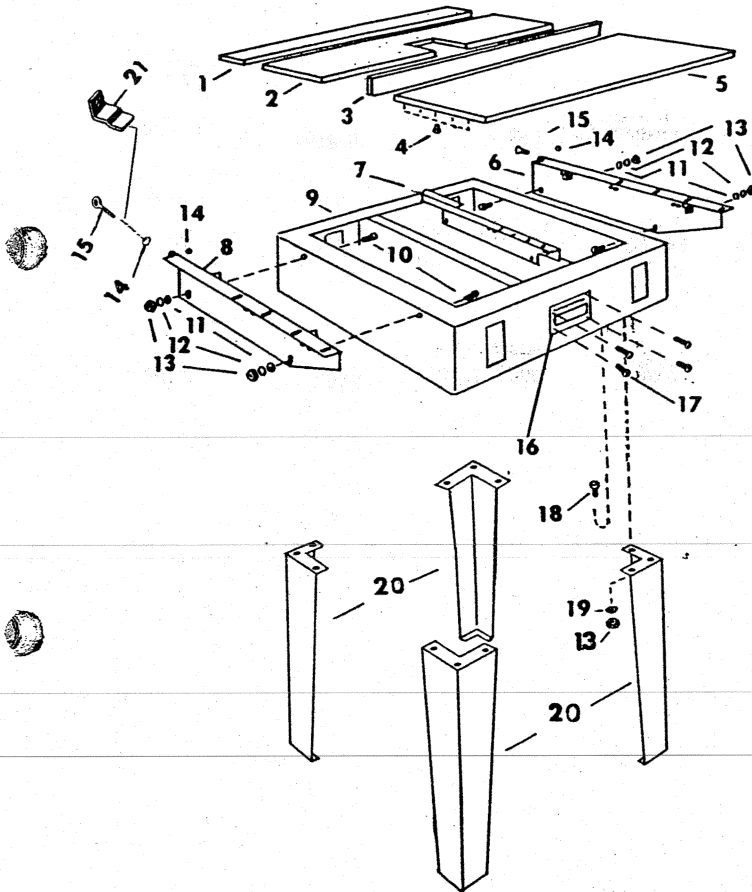


STANDARD GUARD ASSEMBLY



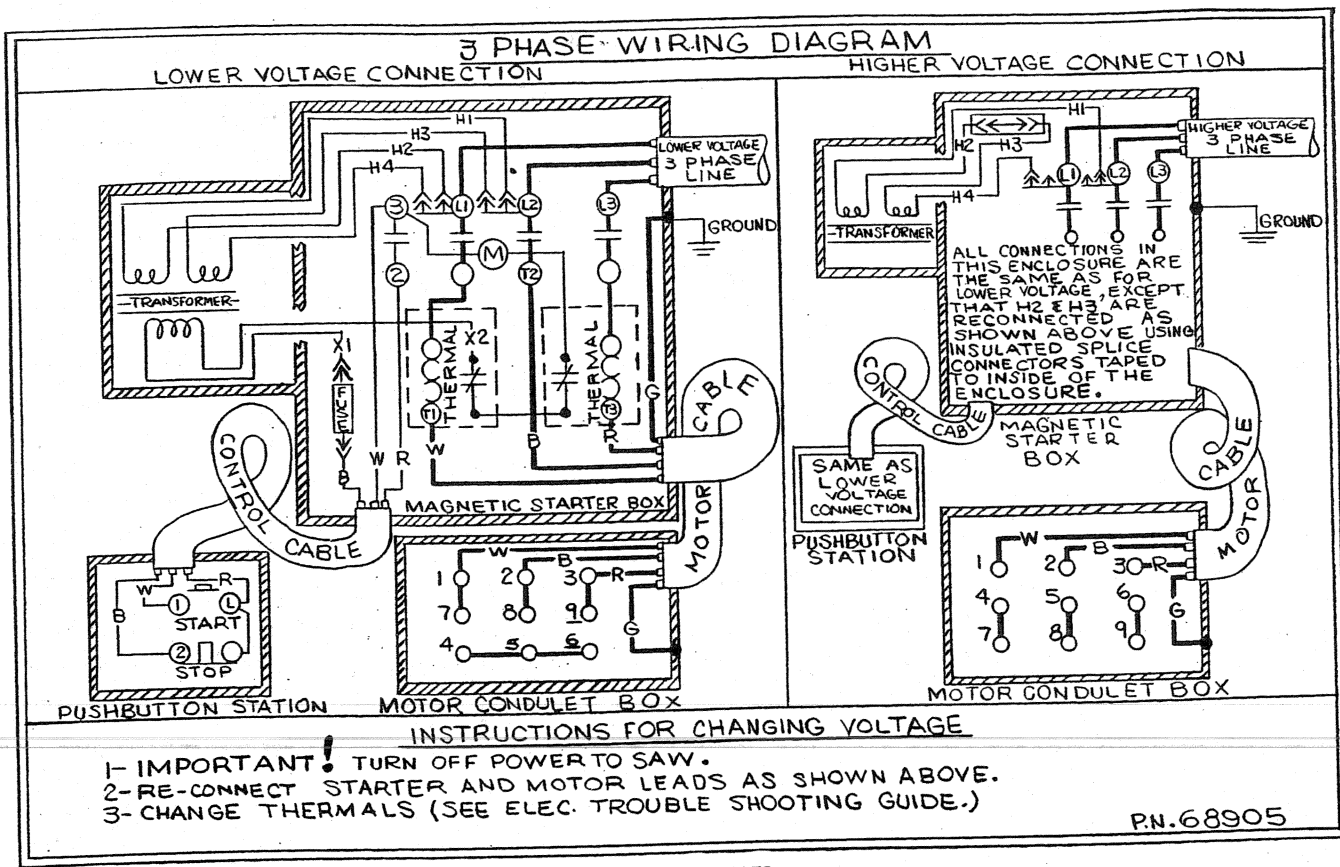
Identification	Description	Quantity	Part No.
1	Guard (Includes 4, 11)	1	74014-01
2	Wing Nut	1	203107
3	Dust Spout	1	80466
4	Caution Plate	1	80126
5	Kickback Assembly	1	70477-01
6	Cap	1	80534
7	Kickback Clamp	1	80085-01
8	Shim Washer	1	80457
9	Hex Jam Nut (5/16-18)	1	80467
10	Saw Blade (12" Combination Chisel Tooth)	1	R1034
11	Name Plate	1	80703
12	Guard Clip	1	201404

TABLE AND FRAME

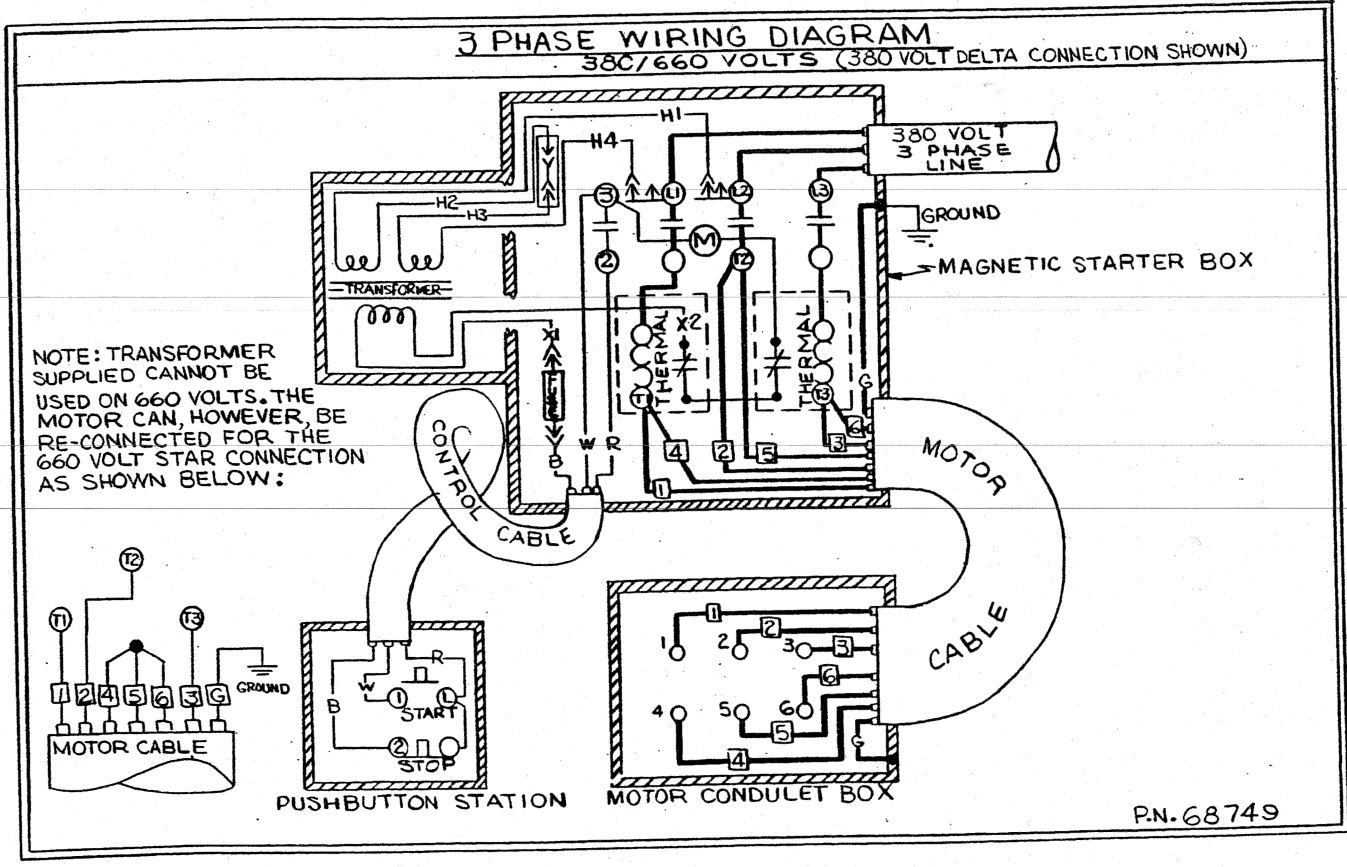


Identification	Description	Quantity	Part No.
1	Spacer Board	1	68865
2	Back Board	1	68866
3	Guide Strip	1	68877
4	Table Screw	14	201287
5	Fixed Board	1	68864
6	R.H. Cleat Assem.	1	86508
7	Center Cleat Assem.	1	86509
8	L.H. Cleat Assem.	1	86508-01
9	Table Frame	1	203836-02
10	Sq. Hd. Mach. Screw (3/8-16 x 3/4)	6	81911
11	Flat Washer (3/8)	6	80674
12	Lock Washer (3/8)	6	82510
13	Hex Nut (3/8-16)	18	84180
14	Eyelet	3	80050
15	Thumb Screw	3	80455
16	Nameplate	1	85301
17	Drive Screws	4	12122
* 18	Hex Screws (3/8-16)	12	82098
* 19	Flat Washer (3/8)	12	82504
* 20	Table Leg	4	117750-02
21	Bracket	3	72086

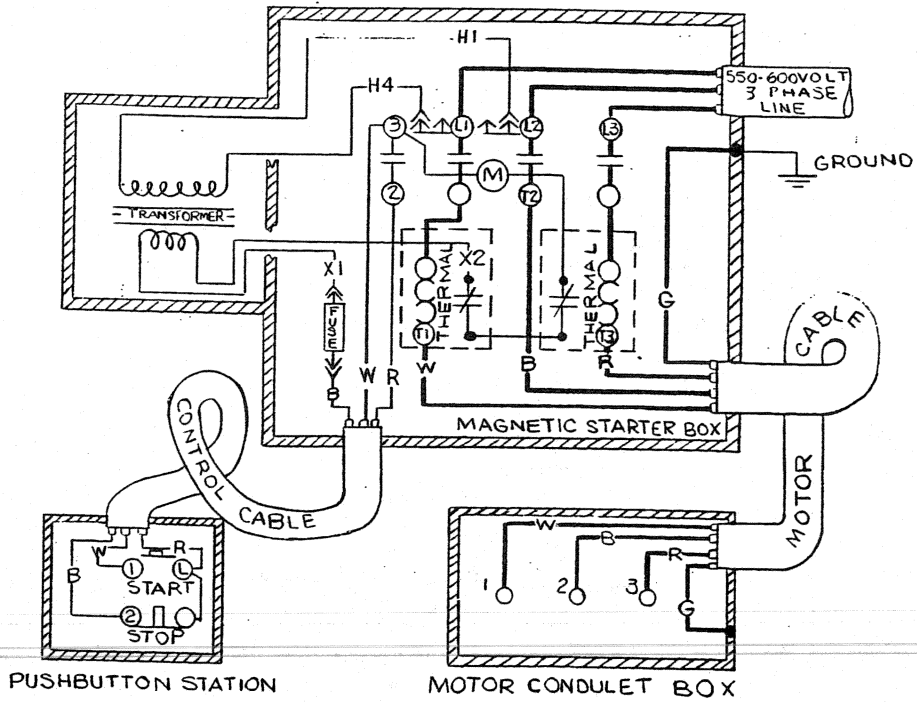
* These parts **not** Standard Equipment on Models 7790/3431.
Order Catalog No. R-1518 for Leg Stand to fit these Models.



208-220/440 VOLTS

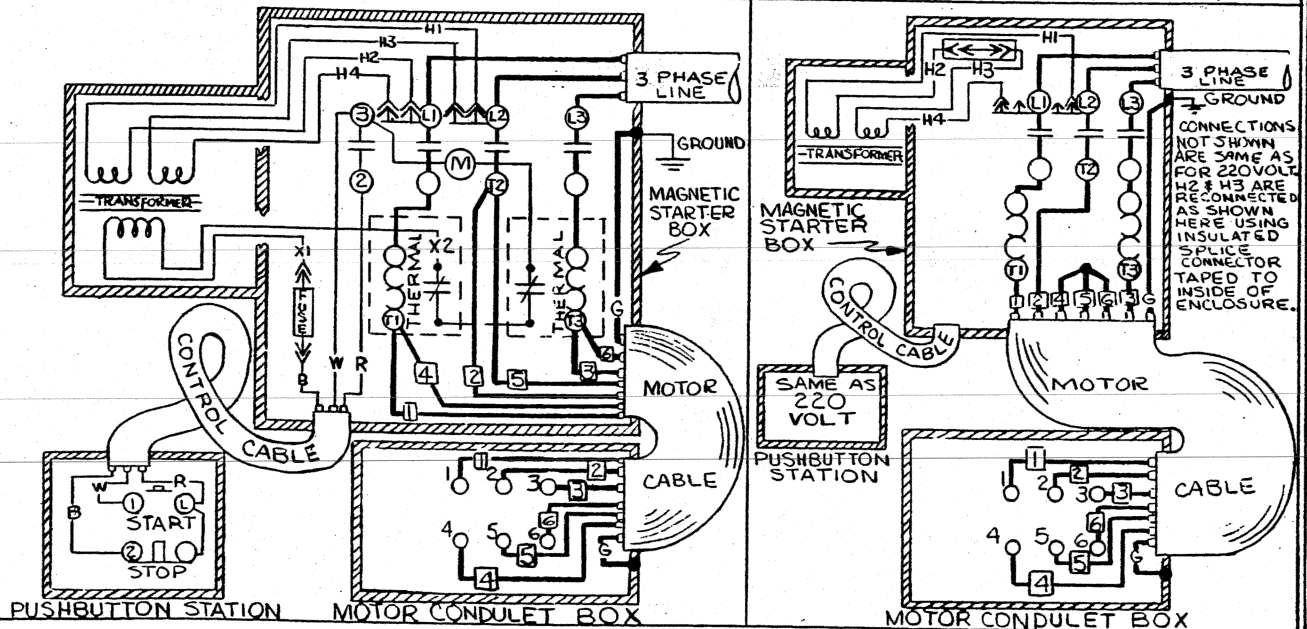


3 PHASE WIRING DIAGRAM 550-600 VOLT CONNECTION



P.N. 68907

3 PHASE WIRING DIAGRAM 220 VOLT CONNECTION 380 VOLT CONNECTION



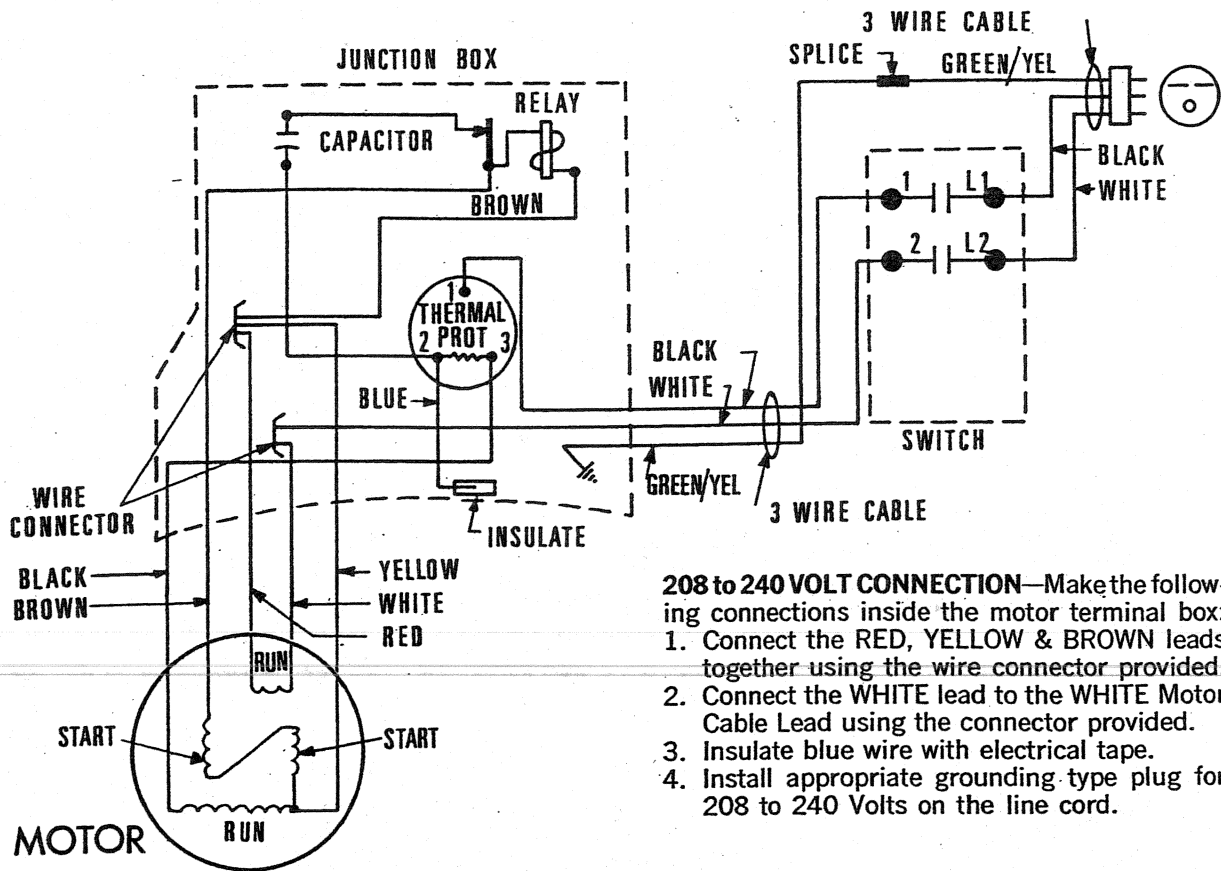
CONNECTIONS NOT SHOWN ARE SAME AS FOR 220VOLT. H2 & H3 ARE RECONNECTED AS SHOWN HERE USING INSULATED SPLICE CONNECTOR TAPED TO INSIDE OF ENCLOSURE.

INSTRUCTIONS FOR CHANGING VOLTAGE

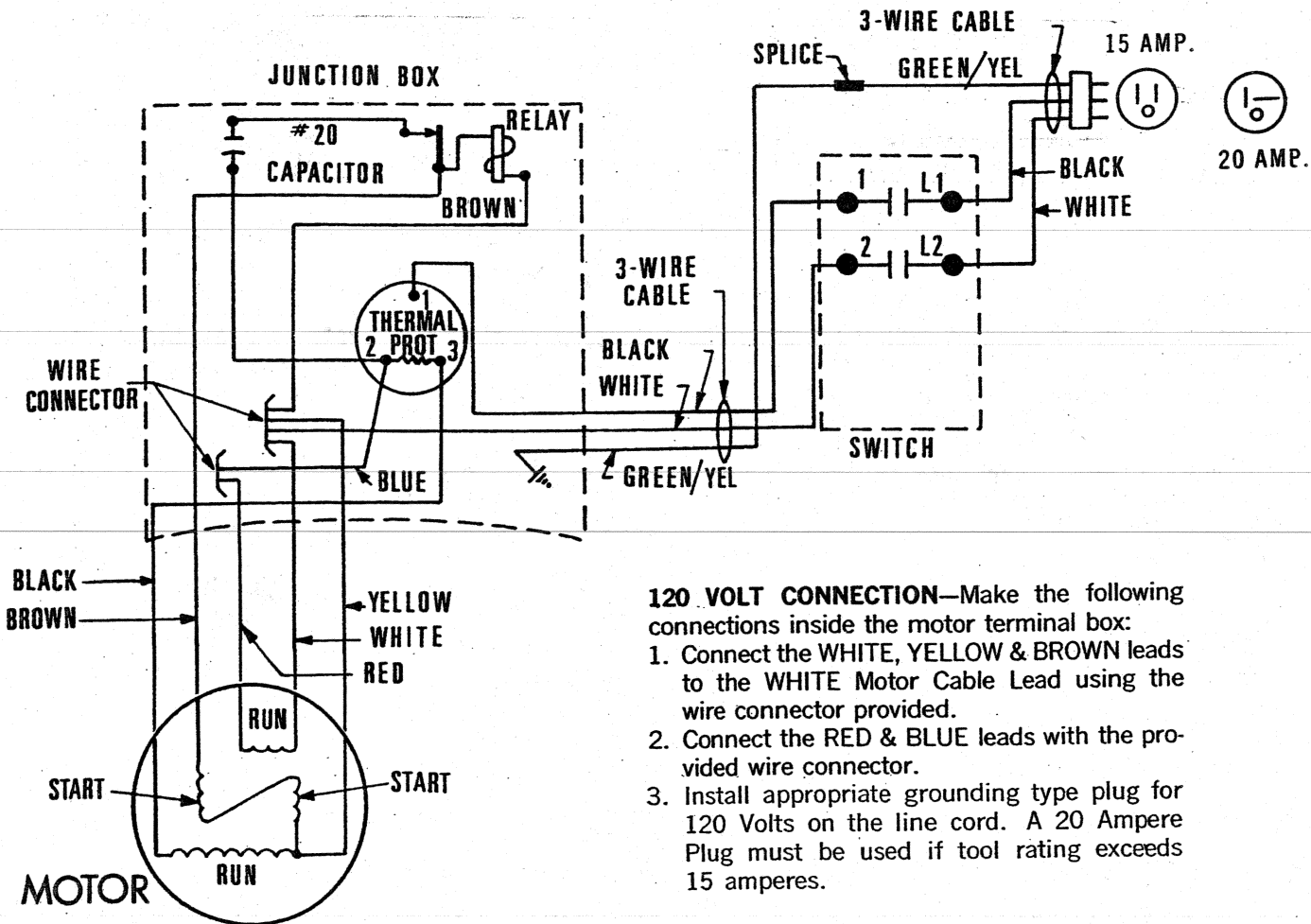
- 1- **IMPORTANT!** TURN OFF POWER TO SAW.
- 2- RE-CONNECT STARTER AND MOTOR LEADS AS SHOWN ABOVE.
- 3- CHANGE THERMALS (SEE ELEC. TROUBLE SHOOTING GUIDE).

P.N. 68817

Motor Control Connection Diagrams (Single Phase)



- 208 to 240 VOLT CONNECTION**—Make the following connections inside the motor terminal box:
1. Connect the RED, YELLOW & BROWN leads together using the wire connector provided.
 2. Connect the WHITE lead to the WHITE Motor Cable Lead using the connector provided.
 3. Insulate blue wire with electrical tape.
 4. Install appropriate grounding type plug for 208 to 240 Volts on the line cord.



- 120 VOLT CONNECTION**—Make the following connections inside the motor terminal box:
1. Connect the WHITE, YELLOW & BROWN leads to the WHITE Motor Cable Lead using the wire connector provided.
 2. Connect the RED & BLUE leads with the provided wire connector.
 3. Install appropriate grounding type plug for 120 Volts on the line cord. A 20 Ampere Plug must be used if tool rating exceeds 15 amperes.