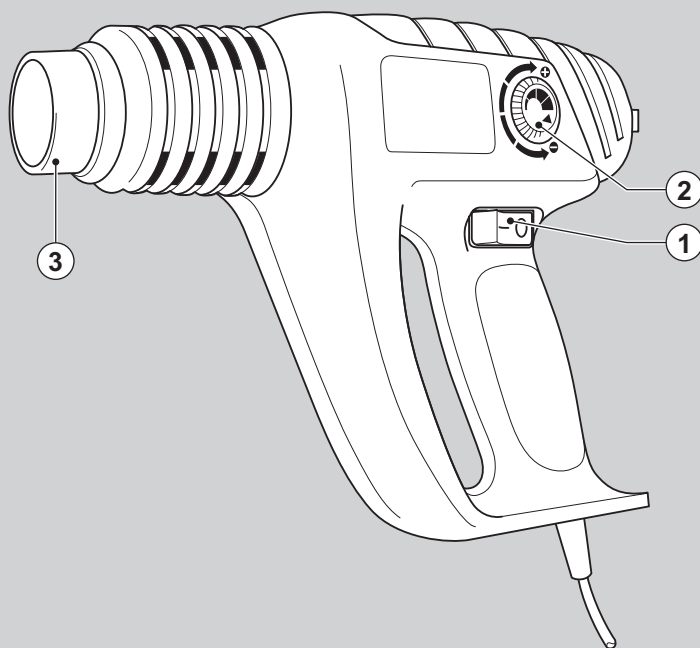
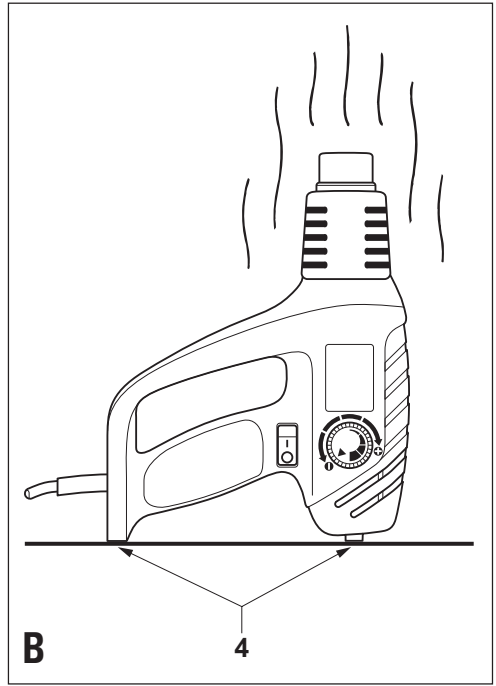
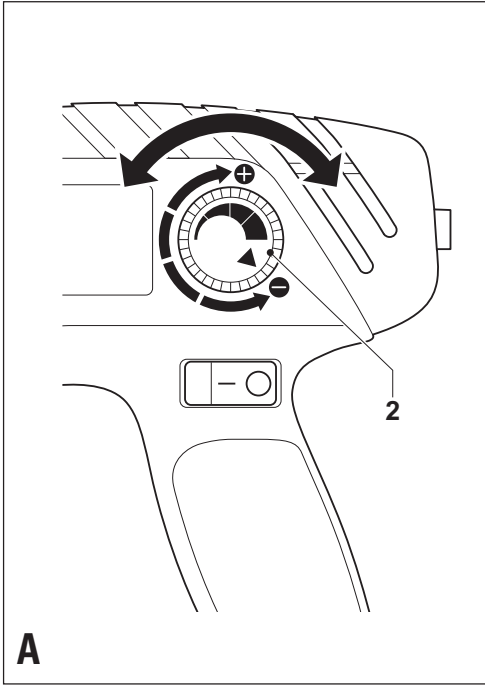


# **BLACK & DECKER®**

www.blackanddecker.com



English	3
Deutsch	7
Français	12
Italiano	17
Nederlands	22
Español	27
Português	32
Svenska	37
Norsk	41
Dansk	46
Suomi	51
Ελληνικά	56



## Intended use

This tool has been designed for various heating applications (e.g. paint stripping). This tool is intended for consumer use only.

## General safety rules

**Warning!** Read all instructions. Failure to follow all instructions listed below may result in electric shock, fire and/or serious injury. The term "power tool" in all of the warnings listed below refers to your mains operated (corded) power tool or battery operated (cordless) power tool. **SAVE THESE INSTRUCTIONS.**

### 1. Work area

- a. **Keep work area clean and well lit.** Cluttered and dark areas invite accidents.
- b. **Do not operate power tools in explosive atmospheres, such as in the presence of flammable liquids, gases or dust.** Power tools create sparks which may ignite the dust or fumes.
- c. **Keep children away.** Distractions can cause you to lose control.

### 2. Electrical safety

- a. **Power tool plugs must match the outlet. Never modify the plug in any way. Do not use any adapter plugs with earthed (grounded) power tools.** Unmodified plugs and matching outlets will reduce risk of electric shock.
- b. **Avoid body contact with earthed or grounded surfaces such as pipes, radiators, ranges and refrigerators.** There is an increased risk of electric shock if your body is earthed or grounded.
- c. **Do not expose power tools to rain or wet conditions.** Water entering a power tool will increase the risk of electric shock.
- d. **Do not abuse the cord. Never use the cord for carrying, pulling or unplugging the power tool. Keep cord away from heat, oil, sharp edges or moving parts.** Damaged or entangled cords increase the risk of electric shock.
- e. **When operating a power tool outdoors, use an extension cord suitable for outdoor use.** Use of a cord suitable for outdoor use reduces the risk of electric shock.

### 3. Personal safety

- a. **Stay alert, watch what you are doing and use common sense when operating a power tool. Do not use a power tool while you are tired or under the influence of drugs, alcohol or medication.** A moment of inattention while operating power tools may result in serious personal injury.

### b. Use safety equipment. Always wear eye protection.

Safety equipment such as dust mask, non-skid safety shoes, hard hat, or hearing protection used for appropriate conditions will reduce personal injuries.

- c. **Avoid accidental starting. Ensure the switch is in the off position before plugging in.** Carrying power tools with your finger on the switch or plugging in power tools that have the switch on invites accidents.
- d. **Remove any adjusting key or wrench before turning the power tool on.** A wrench or a key left attached to a rotating part of the power tool may result in personal injury.
- e. **Do not overreach. Keep proper footing and balance at all times.** This enables better control of the power tool in unexpected situations.
- f. **Dress properly. Do not wear loose clothing or jewellery. Keep your hair, clothing and gloves away from moving parts.** Loose clothes, jewellery or long hair can be caught in moving parts.
- g. **If devices are provided for the connection of dust extraction and collection facilities, ensure these are connected and properly used.** Use of these devices can reduce dust related hazards.

### 4. Power tool use and care

- a. **Do not force the power tool. Use the correct power tool for your application.** The correct power tool will do the job better and safer at the rate for which it was designed.
- b. **Do not use the power tool if the switch does not turn it on and off.** Any power tool that cannot be controlled with the switch is dangerous and must be repaired.
- c. **Disconnect the plug from the power source before making any adjustments, changing accessories, or storing power tools.** Such preventive safety measures reduce the risk of starting the power tool accidentally.
- d. **Store idle power tools out of the reach of children and do not allow persons unfamiliar with the power tool or these instructions to operate the power tool.** Power tools are dangerous in the hands of untrained users.
- e. **Maintain power tools. Check for misalignment or binding of moving parts, breakage of parts and any other condition that may affect the power tools operation. If damaged, have the power tool repaired before use.** Many accidents are caused by poorly maintained power tools.
- f. **Keep cutting tools sharp and clean.** Properly maintained cutting tools with sharp cutting edges are less likely to bind and are easier to control.

- g. Use the power tool, accessories and tool bits etc., in accordance with these instructions and in the manner intended for the particular type of power tool, taking into account the working conditions and the work to be performed.** Use of the power tool for operations different from those intended could result in a hazardous situation.

**5. Service**

- a. Have your power tool serviced by a qualified repair person using only identical replacement parts.** This will ensure that the safety of the power tool is maintained.

**Electrical safety**



This product must be earthed. Always check that the power supply corresponds to the voltage on the rating plate.

**Extension cables & class 1 product**

- ◆ A 3 core cable must be used as your tool is earthed and of class 1 construction.
- ◆ Up to 30m (100 ft) can be used without loss of power.

**Voltage drops**

Inrush currents cause short-time voltage drops. Under unfavourable power supply conditions, other equipment may be affected. For example, artificial lighting will show a temporary drop in magnitude when the machine is switched on.

If the system impedance of the power supply is lower than 0.19 Ω, disturbances are unlikely to occur.

- ◆ This appliance is not intended for use by young or infirm persons without supervision. Children must be supervised to ensure they do not play with the appliance.
- ◆ If the supply cord is damaged, it must be replaced by the manufacturer or an authorised Black & Decker Service Centre in order to avoid a hazard.

**Additional safety instructions for heatguns**

- ◆ **Warning!** This tool is not intended for use by young or infirm persons. Children must be supervised to ensure they do not touch the tool.
- ◆ **Warning!** Always place the tool in the stand position when not in use.
- ◆ A fire may result if the tool is not operated carefully, therefore always use the tool with care and attention.
- ◆ Do not obstruct either the air intake slots or the nozzle outlet as this may cause excessive heat build up resulting in damage to the tool.
- ◆ Be careful when using the appliance in places where there are combustible materials.

- ◆ Do not direct the hot air flow at other people or animals.
- ◆ Do not touch the nozzle as it becomes very hot during use and remains hot for up to 30 minutes after use.
- ◆ Do not place the nozzle against any object during or immediately after use.
- ◆ Do not poke anything down the nozzle as it could give you an electric shock.
- ◆ Do not look down the nozzle while the tool is switched on.
- ◆ Do not use the tool as a hairdryer! The air temperature is far higher than a hairdryer.
- ◆ Ensure adequate ventilation during use as toxic fumes may be produced.
- ◆ Do not use the tool in a damp atmosphere.
- ◆ Be aware that heat may be conducted to combustible materials that are out of sight. Spaces behind boards, ceilings and floors and wall cavities in timber frame constructed houses can contain flammable materials. Check before starting work.
- ◆ Do not use in presence of an explosive atmosphere; i.e. Do not use the tool where flammable gases, liquids or materials may be present.
- ◆ When stripping paint, ensure that the work area is enclosed. Wear a dust mask specifically designed for protection against lead paint dust and fumes and ensure that persons within or entering the work area are also protected.
- ◆ Do not burn paint. as it could cause a fire hazard.
- ◆ Do not allow paint to adhere to the nozzle as it could ignite after some time.
- ◆ Do not apply heat to the same place for a long time
- ◆ Do not leave the appliance unattended when it is switched on or when cooling down.
- ◆ Switch off the tool and allow it to cool before fitting any accessory.
- ◆ Allow the tool to cool down fully before storing.

**Stripping lead-based paint**

Extreme care should be taken when stripping paint.

The peelings, residue and vapours of paint may contain lead, which is poisonous. Any pre-1960 building may in the past have been painted with paint containing lead. This paint may be covered with additional layers of paint. Once deposited on surfaces, hand to mouth contact can result in the ingestion of lead. Exposures to even low levels of lead can cause irreversible brain and nervous system damage. The greatest danger of lead poisoning is to children and pregnant women. Before starting work, it is important to determine whether the paint to be stripped contains lead. This can be done using a test kit or by a professional decorator. Do not smoke, eat or drink in a work area that could or may be contaminated by lead. Lead based paints should only be removed by a professional and should not be removed using a heatgun.

## Features

1. On/off switch
2. Heat control knob
3. Nozzle

## Assembly

**Warning!** Before assembly, make sure that the tool is switched off and unplugged.

## Fitting an accessory

A selected range of accessories can be obtained from your local retailer.

- |                   |  |
|-------------------|--|
| - Cone nozzle     | Concentrates the air stream on a smaller area      |
| - Fish tail       | Spreads the air stream over a wider area           |
| - Spoon reflector | For soldering pipes                                |
| - Glass protector | For the protection of glass during paint stripping |
| - Scraper         | For the removal of stripping paint and varnish     |
- ◆ Fit the connecting piece of the accessory over the nozzle (3).

**Warning!** Ensure the tool is switched off and cooled before fitting any accessory.

## Use

**Warning!** Let the tool work at its own pace. Do not overload.

### Setting the temperature (fig. A)

- ◆ To increase the temperature setting, turn the heat control knob (2) clockwise.
- ◆ To reduce the temperature setting, turn the heat control knob anti-clockwise.

### Switching on and off

- ◆ To switch the tool on, set the on/off switch (1) to position I.
- ◆ To switch the tool off, set the on/off switch to position O.

### Using the tool

- ◆ Allow the tool to heat up for a few seconds before use.
- ◆ At first use some smoke may emit from the nozzle. This is normal and will soon decrease.
- ◆ Use a low temperature setting for drying paint and varnish, removing stickers, shrinking insulation tubes, and thawing frozen pipes.
- ◆ Use a medium temperature setting for welding plastics, bending plastic pipes, and loosening tight nuts and screws.
- ◆ Use a high temperature setting for removing paints and lacquers, and soldering plumbing joints.

- ◆ If you are unsure about using this tool on a particular material, start with a low temperature setting and perform a test on scrap material.

### Handsfree use (fig. B)

The tool has stand locations (4) to facilitate handsfree use.

- ◆ Place the tool with the nozzle up on a surface where it cannot be tipped over.
- ◆ Secure the cable to prevent pulling the tool out of the stand.

**Warning!** Always point the tool away from yourself or other persons. Do not touch the nozzle. Take care that no material drops into the nozzle.

### Paint stripping

- ◆ Direct the hot air at the working area to heat up the paint.
- ◆ Do not burn the paint. Keep the nozzle at least 25 mm (1") from the surface.
- ◆ When the paint softens, remove the paint using a scraper. Scrape the softened paint immediately or it will harden again.
- ◆ Scrape with the grain of the wood wherever possible.
- ◆ Do not allow paint and debris collecting on the scraper.
- ◆ When scraping from a vertical position, scrape downwards to prevent the paint from falling back into the nozzle.
- ◆ When stripping paint from a surface next to glass, take the necessary measures to protect the glass from the heat.
- ◆ **Warning!** Do not attempt to strip paint from metal framed windows.
- ◆ Dispose of all paint debris safely and ensure that the work area is thoroughly cleaned after use.

### Cooling down

During use, the nozzle of the tool becomes extremely hot. After switching off, leave the tool to cool down for at least 30 minutes.

- ◆ Place the tool with the nozzle up on a surface where it cannot be tipped over.
- ◆ To speed up the cooling time, run the tool on a low minimum temperature setting for a few minutes before switching off.

### Maintenance

The tool has been designed to operate over a long period of time with a minimum of maintenance. Continuous satisfactorily operation depends upon proper tool care and regular cleaning.

- ◆ Regularly clean the ventilation slots with a clean, dry paint brush.

- ◆ To clean the tool, use only mild soap and a damp cloth. Never let any liquid get inside the tool and never immerse any part of the tool into liquid.

## Mains plug replacement (U.K. & Ireland only)

If a new mains plug needs to be fitted:

- ◆ Safely dispose of the old plug.
- ◆ Connect the brown lead to the live terminal in the new plug.
- ◆ Connect the blue lead to the neutral terminal.
- ◆ Connect the green/yellow lead to the earth terminal.

**Warning!** Follow the fitting instructions supplied with good quality plugs. Recommended fuse: 13 A.

## Protecting the environment



Separate collection. This product must not be disposed of with normal household waste.

Should you find one day that your Black & Decker product needs replacement, or if it is of no further use to you, do not dispose of it with household waste. Make this product available for separate collection.



Separate collection of used products and packaging allows materials to be recycled and used again. Re-use of recycled materials helps prevent environmental pollution and reduces the demand for raw materials.

Local regulations may provide for separate collection of electrical products from the household, at municipal waste sites or by the retailer when you purchase a new product.

Black & Decker provides a facility for the collection and recycling of Black & Decker products once they have reached the end of their working life. To take advantage of this service please return your product to any authorised repair agent who will collect them on our behalf.

You can check the location of your nearest authorised repair agent by contacting your local Black & Decker office at the address indicated in this manual. Alternatively, a list of authorised Black & Decker repair agents and full details of our after-sales service and contacts are available on the Internet at: [www.2helpU.com](http://www.2helpU.com)

## Technical data

		KX1800	KX2000
Voltage	V <sub>AC</sub>	230	230
Construction		Class I	Class I
Power input	W	1,800	2,000

Temperature range	°C	50 - 600	50 - 600
Weight	kg	0.85	0.85

## EC declaration of conformity

KX1800 TYPE 2/KX2000 TYPE 2

Black & Decker declares that these products conform to: 98/37/EC, 89/336/EEC, 73/23/EEC, EN 50144, EN 55014, EN 60335, EN 61000

L<sub>pa</sub> (sound pressure) 75 dB(A),  
hand/arm weighted vibration < 2,5 m/s<sup>2</sup>

Kevin Hewitt  
Director of Consumer Engineering  
Spennymoor, County Durham DL16 6JG,  
United Kingdom  
1-10-2005

## Guarantee

Black & Decker is confident of the quality of its products and offers an outstanding guarantee. This guarantee statement is in addition to and in no way prejudices your statutory rights. The guarantee is valid within the territories of the Member States of the European Union and the European Free Trade Area.

If a Black & Decker product becomes defective due to faulty materials, workmanship or lack of conformity, within 24 months from the date of purchase, Black & Decker guarantees to replace defective parts, repair products subjected to fair wear and tear or replace such products to ensure minimum inconvenience to the customer unless:

- ◆ The product has been used for trade, professional or hire purposes;
- ◆ The product has been subjected to misuse or neglect;
- ◆ The product has sustained damage through foreign objects, substances or accidents;
- ◆ Repairs have been attempted by persons other than authorised repair agents or Black & Decker service staff.

To claim on the guarantee, you will need to submit proof of purchase to the seller or an authorised repair agent. You can check the location of your nearest authorised repair agent by contacting your local Black & Decker office at the address indicated in this manual. Alternatively, a list of authorised Black & Decker repair agents and full details of our after-sales service and contacts are available on the Internet at: [www.2helpU.com](http://www.2helpU.com)

Please visit our website [www.blackanddecker.co.uk](http://www.blackanddecker.co.uk) to register your new Black & Decker product and to be kept up to date on new products and special offers. Further information on the Black & Decker brand and our range of products is available at [www.blackanddecker.co.uk](http://www.blackanddecker.co.uk)

## Bestimmungsgemäße Verwendung

Dieses Gerät wurde für verschiedene Erhitzungseinsätze (z.B. Entfernen von Farbe) entwickelt. Dieses Gerät ist nicht für den gewerblichen Einsatz vorgesehen.

## Allgemeine Sicherheitsregeln

**Achtung!** Sämtliche Anweisungen sind zu lesen.

Die Nichteinhaltung der nachstehend aufgeführten Anweisungen kann einen elektrischen Schlag, Brand und/oder schwere Verletzungen verursachen. Der nachfolgend verwendete Begriff "Gerät" bezieht sich auf netzbetriebene Geräte (mit Netzkabel) und auf akkubetriebene Geräte (ohne Netzkabel). BEWAHREN SIE DIESE ANWEISUNGEN AUF.

### 1. Arbeitsbereich

- a. **Halten Sie Ihren Arbeitsbereich sauber und gut ausgeleuchtet.** Unordnung und dunkle Arbeitsbereiche können zu Unfällen führen.
- b. **Arbeiten Sie mit Geräten nicht in explosionsgefährdeter Umgebung, in der sich brennbare Flüssigkeiten, Gase oder Stäube befinden.** Geräte erzeugen Funken, die den Staub oder die Dämpfe entzünden können.
- c. **Halten Sie Kinder und andere Personen während der Benutzung des Gerätes fern.** Bei Ablenkung können Sie die Kontrolle verlieren.

### 2. Elektrische Sicherheit

- a. **Der Anschlussstecker des Gerätes muß in die Steckdose passen. Der Stecker darf in keiner Weise verändert werden. Verwenden Sie keine Adapterstecker gemeinsam mit schutzgeerdeten Geräten.** Unveränderte Stecker und passende Steckdosen verringern das Risiko eines elektrischen Schlages.
- b. **Vermeiden Sie Körperkontakt mit geerdeten Oberflächen von Rohren, Heizungen, Herden und Kühlschränken.** Es besteht ein erhöhtes Risiko eines elektrischen Schlages, wenn Ihr Körper geerdet ist.
- c. **Halten Sie Geräte von Regen und Nässe fern.** Das Eindringen von Wasser in ein Gerät erhöht das Risiko eines elektrischen Schlages.
- d. **Missbrauchen Sie nicht das Kabel. Verwenden Sie das Kabel niemals zum Tragen, Ziehen oder Trennen des Gerätes vom Netz. Halten Sie das Kabel fern von Hitze, Öl, scharfen Kanten oder sich bewegenden Teilen.** Beschädigte oder verwickelte Kabel erhöhen das Risiko eines elektrischen Schlages.
- e. **Wenn Sie mit einem Gerät im Freien arbeiten, verwenden Sie nur Verlängerungskabel, die auch für den Außenbereich zugelassen sind.** Die Verwendung eines für den Außenbereich geeigneten Verlängerungskabels verringert das Risiko eines elektrischen Schlages.

### 3. Sicherheit von Personen

- a. **Seien Sie aufmerksam, achten Sie darauf, was Sie tun, und gehen Sie vernünftig mit einem Gerät um. Benutzen Sie das Gerät nicht, wenn Sie müde sind oder unter dem Einfluß von Drogen, Alkohol oder Medikamenten stehen.** Ein Moment der Unachtsamkeit beim Gebrauch von Geräten kann zu ernsthaften Verletzungen führen.
- b. **Verwenden Sie Schutzausrüstung. Tragen Sie stets einen Augenschutz.** Schutzausrüstung wie Staubmaske, rutschfeste Sicherheitsschuhe, Schutzhelm oder Gehörschutz, je nach Art und Einsatz des Gerätes, verringert das Risiko von Verletzungen.
- c. **Vermeiden Sie eine unbeabsichtigte Inbetriebnahme. Stellen Sie sicher, daß sich der Schalter in der Aus-Stellung befindet, bevor das Gerät mit dem Netz verbunden wird.** Durch das Tragen des Gerätes mit dem Finger am Schalter oder durch das Verbinden eingeschalteter Geräte werden Unfälle provoziert.
- d. **Entfernen Sie Einstell- oder Schraubenschlüssel, bevor Sie das Gerät einschalten.** Ein Schlüssel, der sich in einem sich drehenden Teil befindet, kann zu Verletzungen führen.
- e. **Nicht zu weit nach vorne strecken! Sorgen Sie für einen sicheren Stand und halten Sie jederzeit das Gleichgewicht.** Dadurch können Sie das Gerät in unerwarteten Situationen besser unter Kontrolle halten.
- f. **Tragen Sie geeignete Kleidung. Tragen Sie keine weite Kleidung oder Schmuck. Halten Sie Haare, Kleidung und Handschuhe fern von sich bewegenden Teilen.** Lockere Kleidung, Schmuck oder lange Haare können von sich bewegenden Teilen erfaßt werden.
- g. **Falls Staubabsaug- und -fangvorrichtungen vorhanden sind, vergewissern Sie sich, daß diese angeschlossen sind und richtig verwendet werden.** Das Verwenden dieser Einrichtungen verringert Gefährdungen durch Staub.

### 4. Gebrauch und Pflege von Geräten

- a. **Überlasten Sie das Gerät nicht. Verwenden Sie für Ihre Arbeit das dafür bestimmte Gerät.** Mit dem passenden Gerät arbeiten Sie besser und sicherer im angegebenen Leistungsbereich.
- b. **Benutzen Sie kein Gerät, dessen Schalter defekt ist.** Ein Gerät, das sich nicht mehr ein- oder ausschalten läßt, ist gefährlich und muß repariert werden.
- c. **Ziehen Sie den Stecker aus der Steckdose, bevor Sie Einstellungen vornehmen, Zubehörteile wechseln oder das Gerät weglegen.** Diese Vorsichtsmaßnahme verhindert den unbeabsichtigten Start des Gerätes.

- d. **Bewahren Sie unbenutzte Geräte außerhalb der Reichweite von Kindern auf. Lassen Sie Geräte nicht von Personen benutzen, die damit nicht vertraut sind oder diese Anweisungen nicht gelesen haben.** Geräte sind gefährlich, wenn Sie von unerfahrenen Personen benutzt werden.
- e. **Halten Sie Geräte in einem einwandfreien Zustand. Kontrollieren Sie, ob bewegliche Teile falsch ausgerichtet sind oder klemmen und ob Teile gebrochen oder so beschädigt sind, daß die Funktion des Gerätes beeinträchtigt ist. Lassen Sie beschädigte Geräte vor dem Gebrauch reparieren.** Viele Unfälle haben ihre Ursache in schlecht gewarteten Geräten.
- f. **Halten Sie Schneidgeräte scharf und sauber.** Sorgfältig gepflegte Schneidgeräte mit scharfen Schneidkanten verklemmen sich weniger und sind leichter zu führen.
- g. **Verwenden Sie Gerät, Zubehör, Einsatz-Bits, usw. entsprechend diesen Anweisungen und so, wie es für diesen speziellen Gerätetyp vorgeschrieben ist. Berücksichtigen Sie dabei die Arbeitsbedingungen und die auszuführende Arbeit.** Der Gebrauch von Geräten für andere als die vorgesehenen Anwendungen kann zu gefährlichen Situationen führen.
5. **Service**
- a. **Lassen Sie Ihr Gerät nur von qualifiziertem Fachpersonal und nur mit Original-Ersatzteilen reparieren.** Damit wird gewährleistet, daß die Sicherheit des Gerätes erhalten bleibt.

## Elektrische Sicherheit



Der Anschluß dieses Geräts muß mit einem Schutzleiter versehen sein. Überprüfen Sie immer, ob die Netzspannung der auf dem Typenschild des Geräts angegebenen Spannung entspricht.

## Spannung fällt

Einschaltstromspitzen verursachen kurzzeitigen Spannungsabfall. Bei unzureichender Stromversorgung können die Funktionen anderer Geräte beeinträchtigt werden. Z. B. können beim Einschalten des Geräts künstliche Lichtquellen plötzlich vorübergehend dunkler werden.

Wenn die Impedanz der Stromversorgung unter  $0,19 \Omega$  liegt, sind Störungen eher unwahrscheinlich.

- ◆ Dieses Gerät darf ohne Aufsicht nicht von jungen oder schwachen Personen verwendet werden. Kinder müssen beaufsichtigt werden, um sicherzustellen, daß sie nicht mit dem Gerät spielen.

- ◆ Falls das Netzkabel beschädigt ist, so ist es vom Hersteller oder einem autorisierten Black & Decker Service Center auszutauschen, um Gefahren vorzubeugen.

## Verlängerungskabel & Produkte der Klasse 1

- ◆ Es muß ein dreidriges Kabel verwendet werden, da Ihr Gerät geerdet ist und der Konstruktionsklasse 1 entspricht.
- ◆ Es kann bis zu 30 m Leitung verwendet werden, ohne daß ein Leistungsverlust auftritt.

## Weitere Sicherheitsanweisungen für Heißluftgeräte

- ◆ **Achtung!** Dieses Gerät darf nicht von jungen oder schwachen Personen verwendet werden. Kinder müssen beaufsichtigt werden, um sicherzustellen, daß sie das Gerät nicht anfassen.
- ◆ **Achtung!** Stellen Sie das Gerät stets in der Standposition ab, wenn es nicht gebraucht wird.
- ◆ Wird das Gerät nicht vorsichtig bedient, so kann ein Feuer entstehen. Verwenden Sie das Gerät daher aufmerksam und vorsichtig.
- ◆ Behindern Sie weder die Lufteinlaßschlitze, noch den Düsenauslaß, da dies einen übermäßigen Hitzeaufbau verursachen kann, der das Gerät beschädigt.
- ◆ Gehen Sie beim Gebrauch des Geräts an Orten mit brennbaren Stoffen vorsichtig vor.
- ◆ Richten Sie den Heißluftstrom niemals auf Personen oder Tiere.
- ◆ Berühren Sie niemals die Düse, da diese beim Gebrauch sehr heiß wird und auch 30 Minuten nach Gebrauch noch heiß ist.
- ◆ Lehnen Sie die Düse beim Gebrauch oder unmittelbar nach Gebrauch nicht an etwas an.
- ◆ Stecken Sie niemals Gegenstände durch die Düse, da dies zu einem Stromschlag führen kann.
- ◆ Schauen Sie niemals in die Düse, während das Gerät eingeschaltet ist.
- ◆ Verwenden Sie das Gerät nicht als Haartrockner! Die Lufttemperatur überschreitet bei weitem die eines Haartrockners.
- ◆ Stellen Sie eine angemessene Be-/Entlüftung beim Gebrauch sicher, da giftige Gase entstehen könnten.
- ◆ Verwenden Sie das Gerät nicht in einer feuchten Atmosphäre.
- ◆ Seien Sie sich darüber im Klaren, dass Hitze auf brennbare Stoffe übergehen kann, die außerhalb der Sichtweite liegen. Räume hinter Tafeln, Decken oder Böden sowie Hohlräume in den Wänden von Häusern mit Holzrahmenkonstruktion können brennbare Stoffe enthalten. Überprüfen Sie dies, bevor Sie mit der Arbeit beginnen.



- ◆ Verwenden Sie das Werkzeug nicht in einer explosiven Atmosphäre, d.h. verwenden Sie es nicht an Orten, an denen brennbare Gase, Flüssigkeiten oder andere Stoffe vorhanden sein können.
- ◆ Beim Entfernen von Farbe stellen Sie sicher, daß der Arbeitsbereich abgeschlossen ist. Tragen Sie eine spezielle Maske zum Schutz vor Bleifarbstaub und -dämpfen, und stellen Sie sicher, daß auch andere Personen, die den Arbeitsplatz betreten, geschützt sind.
- ◆ Verbrennen Sie die Farbe nicht, da dies feuergefährlich ist.
- ◆ Verhindern Sie, daß Farbe an der Düse kleben bleibt, da sich die Farbe nach einiger Zeit entzünden kann.
- ◆ Wirken Sie mit der Hitze nicht zu lange auf die gleiche Stelle ein.
- ◆ Lassen Sie das Gerät während der Arbeit nie unbeaufsichtigt.
- ◆ Lassen Sie das Gerät nicht unbeaufsichtigt, solange es noch eingeschaltet ist oder abkühlt.
- ◆ Schalten Sie das Gerät aus und lassen Sie es abkühlen, bevor Sie Zubehör anbringen.
- ◆ Lassen Sie das Gerät vollständig abkühlen, bevor Sie es verstauen.

### Entfernen von Farbe auf Bleibasis

Beim Entfernen von Farbe muß äußerst vorsichtig vorgegangen werden. Die Farbschichten, Rückstände, und Farbdämpfe können giftiges Blei enthalten. Gebäude vor Baujahr 1960 wurden in der Vergangenheit möglicherweise mit bleihaltiger Farbe gestrichen. Diese Farbe kann wiederum von weiteren Farbschichten überdeckt sein. Ein Hand-/Mundkontakt kann dann zu einer Bleiaufnahme führen.

Selbst wenn Sie nur geringen Bleimengen ausgesetzt sind, kann dies zu irreversiblen Gehirn- und Nervenschäden führen. Eine Bleivergiftung ist bei Kindern und Schwangeren am gefährlichsten!

Bevor Sie mit der Arbeit beginnen, ist es wichtig, festzustellen, ob die zu entfernende Farbe Blei enthält. Dies kann mit Hilfe eines Test-Kits oder von einem Maler durchgeführt werden. Rauchen, essen und trinken Sie nicht in einem Arbeitsbereich, der durch Blei kontaminiert ist oder sein kann. Farben auf Bleibasis sollten nur von einem gewerblichen Handwerker beseitigt und nicht unter Verwendung einer Heißluftpistole entfernt werden.

### Merkmale

1. Ein-/Aus-Schalter
2. Hitzeregelpknopf
3. Düse

### Montage

**Achtung!** Vergewissern Sie sich vor der Montage, daß das Gerät ausgeschaltet ist und daß der Netzstecker gezogen wurde.

### Anbringen eines Zubehörteils

Bei Ihrem regionalen Händler ist eine ausgewählte Palette an Zubehör erhältlich.

- |                   |  |
|-------------------|--|
| - Punktdüse       | Konzentriert den Luftstrom auf eine kleinere Fläche          |
| - Fischeschwanz   | Verbreitet den Luftstrom über eine breitere Fläche           |
| - Löffelreflektor | Zum Löten von Rohren   |
| - Glasschutz      | Zum Schutz von Glas während des Entfernens von Farbe         |
| - Schaber         | Zum Beseitigen der entfernten Farbe und des entfernten Lacks |
- ◆ Bringen Sie das Verbindungsstück des Zubehörs über der Düse (3) an.

**Achtung!** Stellen Sie sicher, daß das Gerät ausgeschaltet und abgekühlt ist, bevor Sie Zubehör anbringen.

### Gebrauch

**Achtung!** Beschleunigen Sie den Arbeitsvorgang nicht mit Gewalt. Vermeiden Sie eine Überlastung des Gerätes.

### Einstellen der Temperatur (Abb. A)

- ◆ Um die Temperatureinstellung zu erhöhen, drehen Sie den Hitzeregelpknopf (2) im Uhrzeigersinn.
- ◆ Um die Temperatureinstellung zu verringern, drehen Sie den Hitzeregelpknopf gegen den Uhrzeigersinn.

### Ein- und Ausschalten

- ◆ Zum Einschalten des Geräts stellen Sie den Ein-/Aus-Schalter (1) in die Position I.
- ◆ Zum Ausschalten des Geräts stellen Sie den Ein-/Aus-Schalter in die Position O.

### Gebrauch des Geräts

- ◆ Lassen Sie das Gerät vor dem Gebrauch einige Sekunden lang aufheizen.
- ◆ Beim Erstgebrauch kann etwas Rauch aus der Düse entweichen. Dies ist normal und nimmt bald ab.
- ◆ Verwenden Sie eine niedrige Temperatureinstellung, um Farbe und Lack zu trocknen, um Aufkleber zu entfernen, um Isolationsrohre aufzuschumpfen und um eingefrorene Leitungen aufzutauen.
- ◆ Verwenden Sie eine mittlere Temperatureinstellung, um Kunststoffe zu schweißen, Kunststoffrohre zu biegen und um festsitzende Muttern und Schrauben zu lösen.
- ◆ Verwenden Sie eine hohe Temperatureinstellung, um Farbe und Lacke zu entfernen und Rohrverbindungen zu verlöten.

- ◆ Falls Sie unsicher sind, wie Sie dieses Gerät auf einem bestimmten Material verwenden sollen, beginnen Sie mit einer niedrigen Temperatureinstellung und führen Sie auf einem Abfallstück einen Test durch.

## Handfreier Gebrauch (Abb. B)

Das Gerät hat Standpunkte (4), um den handlosen Gebrauch zu ermöglichen.

- ◆ Stellen Sie das Gerät mit der Düse nach oben weisend auf eine Fläche, auf der es nicht umkippen kann.
- ◆ Sichern Sie das Kabel, um zu verhindern, daß das Gerät aus dem Stand herausgezogen wird.

**Achtung!** Richten Sie das Gerät stets von sich selbst und anderen Personen weg. Berühren Sie nicht die Düse. Achten Sie darauf, daß kein Material in die Düse fällt.

## Entfernen von Farbe

- ◆ Richten Sie die Heißluft auf den Arbeitsbereich, um die Farbe zu erhitzen.
- ◆ Verbrennen Sie die Farbe nicht. Halten Sie die Düse mindestens 25 mm von der Oberfläche fern.
- ◆ Sobald die Farbe weich wird, entfernen Sie sie mit einem Schaber. Schaben Sie die weich gewordene Farbe unverzüglich ab, da sie andernfalls wieder erhärtet.
- ◆ Schaben Sie nach Möglichkeit mit der Maserung des Holzes.
- ◆ Verhindern Sie, daß sich Farbe und Unrat auf dem Schaber ansammelt.
- ◆ Wird von einer senkrechten Position ausgehend geschabt, schaben Sie nach unten, um zu verhindern, daß die Farbe auf die Düse zurückfällt.
- ◆ Treffen Sie beim Entfernen von Farbe von einer Fläche in der Nähe von Glas die erforderlichen Maßnahmen, um das Glas vor der Hitze zu schützen.
- ◆ **Achtung!** Versuchen Sie nicht, Farbe von Fenstern mit Metallrahmen zu entfernen.
- ◆ Entsorgen Sie die gesamten Farbreste sicher und achten Sie darauf, daß der Arbeitsbereich nach dem Gebrauch gründlich gereinigt wird.

## Abkühlen

Beim Gebrauch wird die Düse des Geräts äußerst heiß. Lassen Sie das Gerät nach dem Abschalten mindestens 30 Minuten lang abkühlen.

- ◆ Stellen Sie das Gerät mit der Düse nach oben weisend auf eine Fläche, auf der es nicht umkippen kann.
- ◆ Um die Abkühlzeit zu beschleunigen, lassen Sie das Gerät einige Minuten lang mit der geringsten Temperatureinstellung laufen, bevor Sie es abschalten.

## Wartung

Das Gerät wurde im Hinblick auf eine lange Lebensdauer und einen möglichst geringen Wartungsaufwand entwickelt. Ein dauerhafter, einwandfreier Betrieb setzt eine regelmäßige Pflege und Reinigung voraus.

- ◆ Reinigen Sie die Lüftungsschlitze regelmäßig mit einem sauberen, trockenen Farbpinsel.
- ◆ Verwenden Sie zur Reinigung des Geräts nur milde Seifenlösung und ein feuchtes Tuch. Lassen Sie niemals Flüssigkeiten in das Gerät gelangen und tauchen Sie niemals Teile des Geräts in Flüssigkeit ein.

## Umweltschutz



Getrennte Entsorgung. Dieses Produkt darf nicht über den normalen Hausmüll entsorgt werden.

Sollte Ihr Black & Decker Produkt eines Tages erneuert werden müssen, oder falls Sie es nicht weiter verwenden wollen, so darf es nicht über den Hausmüll entsorgt werden. Stellen Sie dieses Produkt zur getrennten Entsorgung bereit.



Durch die getrennte Entsorgung gebrauchter Produkte und Verpackungen können die Materialien recycelt und wiederverwertet werden. Die Wiederverwertung recycelter Materialien schont die Umwelt und verringert die Nachfrage nach Rohstoffen.

Die regionalen Bestimmungen schreiben unter Umständen die getrennte Entsorgung elektrischer Produkte aus dem Haushalt an Sammelstellen oder seitens des Händlers vor, bei dem Sie das neue Produkt erworben haben.

Black & Decker nimmt Ihre ausgedienten Black & Decker Geräte gern zurück und sorgt für eine umweltfreundliche Entsorgung und Wiederverwertung. Um diesen Dienst zu nutzen, schicken Sie bitte Ihr Produkt zu einer Vertragswerkstatt. Hier wird es dann auf unsere Kosten gesammelt.

Die Adresse der zuständigen Black & Decker Vertretung steht in diesem Handbuch, darüber läßt sich die nächstgelegene Vertragswerkstatt ermitteln. Außerdem ist eine Liste der Vertragswerkstätten und aller Kundendienststellen von Black & Decker sowie der zuständigen Ansprechpartner im Internet zu finden unter: **www.2helpU.com**

**Technische Daten**

		<b>KX1800</b>	<b>KX2000</b>
Spannung	V <sub>AC</sub>	230	230
Konstruktion		Klasse I	Klasse I
Leistungsaufnahme	W	1.800	2.000
Temperaturbereich	°C	50 - 600	50 - 600
Gewicht	kg	0,85	0,85

**EG-Konformitätserklärung**

KX1800 TYPE 2/KX2000 TYPE 2

Black & Decker erklärt, daß diese Produkte folgende Konformität erfüllen:

98/37/EWG, 89/336/EWG, 73/23/EWG, EN 50144, EN 55014, EN 60335, EN 61000

L<sub>PA</sub> (Schalldruck) 75 dB(A),

gewichtete Hand-/Armvibrationen < 2,5 m/s<sup>2</sup>



Kevin Hewitt  
Director of Consumer Engineering  
Spennymoor, County Durham DL16 6JG,  
Vereinigtes Königreich  
1-10-2005

Zur Inanspruchnahme dieser Garantie ist dem Verkäufer bzw. der Vertragswerkstatt ein Kaufnachweis vorzulegen. Der Kaufnachweis muß Kaufdatum und Gerätetyp bescheinigen. Die Adresse des zuständigen Büros von Black & Decker steht in dieser Anleitung, darüber läßt sich die nächstgelegene Vertragswerkstatt ermitteln. Außerdem ist eine Liste der Vertragswerkstätten und aller Kundendienststellen von Black & Decker sowie der zuständigen Ansprechpartner im Internet zu finden unter: [www.2helpU.com](http://www.2helpU.com)

Bitte besuchen Sie unsere Webseite [www.blackanddecker.de](http://www.blackanddecker.de), um Ihr neues Black & Decker Produkt zu registrieren und über neue Produkte und Sonderangebote aktuell informiert zu werden. Weitere Informationen über die Marke Black & Decker und unsere Produkte finden Sie unter [www.blackanddecker.de](http://www.blackanddecker.de)

**Garantie**

Black & Decker vertraut auf die Qualität der eigenen Geräte und bietet dem Käufer eine außergewöhnliche Garantie. Diese Garantiezusage versteht sich unbeschadet der gesetzlichen Gewährleistungsansprüche und schränkt diese keinesfalls ein. Sie gilt in sämtlichen Mitgliedsstaaten der Europäischen Union und der Europäischen Freihandelszone EFTA.

Tritt innerhalb von 24 Monaten ab Kaufdatum an einem Gerät von Black & Decker ein auf Material- oder Verarbeitungsfehler zurückzuführender Mangel auf, garantiert Black & Decker den Austausch defekter Teile, die Reparatur von Geräten mit üblichem Verschleiß bzw. den Austausch eines mangelhaften Geräts, ohne den Kunden dabei mehr als unbedingt nötig in Anspruch zu nehmen, allerdings vorbehaltlich folgender Ausnahmen:

- ◆ wenn das Gerät gewerblich, beruflich oder im Verleihgeschäft benutzt wurde;
- ◆ wenn das Gerät mißbräuchlich verwendet oder mit mangelnder Sorgfalt behandelt wurde;
- ◆ wenn das Gerät durch irgendwelche Fremdeinwirkung beschädigt wurde;
- ◆ wenn ein unbefugter Reparaturversuch durch anderes Personal als das einer Vertragswerkstatt oder des Black & Decker-Kundendienstes unternommen wurde.

## Utilisation prévue

Cet outil a été conçu pour diverses applications de chauffage (par ex. le décapage de peinture). Cet outil a été conçu pour une utilisation exclusivement domestique.

## Consignes générales de sécurité

**Attention !** Lisez toutes les instructions. Le non-respect des instructions indiquées ci-dessous peut entraîner une électrocution, un incendie et/ou de graves blessures. La notion d'« outil électroportatif » mentionnée par la suite se rapporte à des outils électriques raccordés au secteur (avec câble de raccordement) ou fonctionnant sur piles (sans fil).  
GARDEZ PRÉCIEUSEMENT CES CONSIGNES DE SECURITE.

### 1. Aire de travail

- a. **Maintenez la zone de travail propre et bien éclairée.** Un lieu de travail en désordre ou mal éclairé augmente le risque d'accidents.
- b. **N'utilisez pas les outils électroportatifs dans un environnement présentant des risques d'explosion ni en présence de liquides, gaz ou poussières inflammables.** Les outils électroportatifs génèrent des étincelles risquant d'enflammer les poussières ou les vapeurs.
- c. **Tenez les enfants et autres personnes éloignés durant l'utilisation de l'outil électroportatif.** En cas d'inattention, vous risquez de perdre le contrôle sur l'outil.

### 2. Sécurité électrique

- a. **La fiche de secteur de l'outil électroportatif doit convenir à la prise de courant. Ne modifiez en aucun cas la fiche. N'utilisez pas de fiches d'adaptateur avec des outils ayant une prise de terre.** Les fiches non modifiées et les prises de courant appropriées réduisent le risque d'électrocution.
- b. **Évitez le contact physique avec des surfaces mises à la terre telles que tuyaux, radiateurs, fours et réfrigérateurs.** Il y a un risque élevé d'électrocution si votre corps est relié à la terre.
- c. **N'exposez pas l'outil électroportatif à la pluie ni à l'humidité.** La pénétration d'eau dans un outil électroportatif augmente le risque d'électrocution.
- d. **Préservez le câble d'alimentation. N'utilisez pas le câble à d'autres fins que celles prévues, notamment pour porter l'outil, l'accrocher voire le débrancher de la prise de courant. Maintenez le câble éloigné des sources de chaleur, des parties grasses, des bords tranchants ou des parties de l'outil en rotation.** Un câble endommagé ou enchevêtré augmente le risque d'électrocution.

- e. **Si vous utilisez l'outil électroportatif à l'extérieur, utilisez une rallonge homologuée pour utilisation à l'air libre.** L'utilisation d'une rallonge électrique homologuée pour les applications extérieures réduit le risque d'électrocution.

### 3. Sécurité personnelle

- a. **Restez vigilant, surveillez ce que vous faites. Faites preuve de bon sens quand vous utilisez l'outil électroportatif. N'utilisez pas l'outil lorsque vous êtes fatigué ou après avoir consommé de l'alcool, des drogues ou avoir pris des médicaments.** Un moment d'inattention lors de l'utilisation de l'outil peut entraîner de graves blessures.
  - b. **Portez des équipements de protection. Portez toujours des lunettes de protection.** Le port d'équipements de protection personnelle tels que masque anti-poussières, chaussures de sécurité antidérapantes, casque ou protection auditive, selon le travail à effectuer, réduit le risque de blessures.
  - c. **Évitez une mise en route accidentelle. Avant de brancher l'outil, vérifiez que l'interrupteur est sur la position arrêt.** Le transport ou le branchement d'outils électroportatifs avec l'interrupteur en position marche est une invite à l'accident.
  - d. **Enlevez tout outil ou clé de réglage avant de mettre l'outil en marche.** Une clé ou un outil se trouvant sur une partie en rotation peut causer des blessures.
  - e. **Adoptez une position confortable. Adoptez une position stable et gardez votre équilibre à tout moment.** Vous contrôlerez mieux l'outil dans des situations inattendues.
  - f. **Portez des vêtements appropriés. Ne pas porter de vêtements flottants ou de bijoux. N'approchez pas les cheveux, vêtements ou gants des parties de l'outil en rotation.** Les vêtements amples, les bijoux ou les cheveux longs peuvent être attrapés dans les pièces en mouvement.
  - g. **Si des dispositifs servant à aspirer ou à recueillir les poussières doivent être utilisés, vérifiez qu'ils sont correctement raccordés et utilisés.** L'utilisation de tels dispositifs réduit les dangers dus aux poussières.
- ### 4. Utilisation des outils électroportatifs et précautions
- a. **Ne surchargez pas l'outil. Utilisez l'outil électroportatif approprié pour le travail à effectuer.** Avec l'outil électroportatif approprié, vous travaillerez mieux et avec plus de sécurité à la vitesse pour laquelle il a été conçu.
  - b. **N'utilisez pas un outil électroportatif dont l'interrupteur est défectueux.** Un outil électroportatif qui ne peut plus être mis en ou hors fonctionnement est dangereux et doit être réparé.

- c. **Retirez la fiche de la prise de courant avant d'effectuer des réglages sur l'outil, de changer les accessoires ou de ranger l'outil.** Cette mesure de précaution empêche une mise en marche par mégarde.
- d. **Rangez les outils électroportatifs hors de portée des enfants. Ne laissez pas les personnes n'étant pas familiarisées avec l'outil ou n'ayant pas lu ces instructions l'utiliser.** Les outils électroportatifs sont dangereux lorsqu'ils sont utilisés par des personnes non initiées.
- e. **Prenez soin des outils électroportatifs. Vérifiez que les parties en mouvement fonctionnent correctement et qu'elles ne sont pas coincées ; vérifiez qu'il n'y a pas de pièces cassées ou endommagées susceptibles de nuire au bon fonctionnement de l'outil. S'il est endommagé, faites réparer l'outil avant de l'utiliser.** De nombreux accidents sont dus à des outils électroportatifs mal entretenus.
- f. **Maintenez les outils de coupe aiguisés et propres.** Des outils soigneusement entretenus avec des bords tranchants bien aiguisés se coincent moins souvent et peuvent être guidés plus facilement.
- g. **Utilisez les outils électroportatifs, les accessoires, les outils à monter etc. conformément à ces instructions et aux prescriptions en vigueur pour ce type d'outils. Tenez compte également des conditions de travail et du travail à effectuer.**

L'utilisation des outils électroportatifs à d'autres fins que celles prévues peut entraîner des situations dangereuses.

## 5. Réparations

- a. **Faites réparer votre outil électroportatif uniquement par du personnel qualifié et seulement avec des pièces de rechange d'origine.** Cela garantira le maintien de la sécurité de votre outil.

## Sécurité électrique



Cet outil doit être branché à la terre. Vérifiez si le voltage mentionné sur la plaque signalétique correspond bien à la tension de réseau sur site.

## Chutes de tension

Les courants d'appel provoquent des chutes de tension temporaires. Sous certaines circonstances d'alimentation électrique défavorable, d'autres équipements peuvent en être affectés. Par exemple, l'éclairage artificiel indique une chute temporaire d'une certaine magnitude lorsque la machine est mise en marche.

Si l'alimentation électrique présente une impédance système inférieure à  $0,19 \Omega$ , il est peut probable que des perturbations se produisent.

- ◆ Cet appareil n'est pas destiné à être utilisé par des jeunes ou des personnes infirmes sans supervision. Les enfants ne doivent pas jouer avec l'appareil.
- ◆ Si le câble d'alimentation est endommagé, il doit être remplacé par le fabricant ou par un centre de réparation agréé Black & Decker afin d'éviter tout accident.

## Rallonges & produit de classe 1

- ◆ Il est nécessaire d'utiliser un câble trifilaire car votre outil est relié à la terre et appartient à la classe 1.
- ◆ Il est possible d'utiliser une rallonge de 30 m sans perte de puissance.

## Consignes de sécurité supplémentaires pour les décapeurs thermiques

- ◆ **Attention !** Cet outil n'est pas destiné à être utilisé par des jeunes ou des personnes infirmes. Les enfants doivent rester sous surveillance afin de s'assurer qu'ils ne touchent pas l'outil.
- ◆ **Attention !** Placez toujours l'outil en position verticale lorsqu'il n'est pas utilisé.
- ◆ Un incendie peut être provoqué si l'outil n'est pas utilisé avec précaution. Par conséquent, faites très attention lorsque vous l'employez.
- ◆ Prenez garde à n'obstruer ni l'orifice d'entrée d'air, ni la bouche de la buse car ceci pourrait provoquer une chaleur excessive et endommager l'outil.
- ◆ Soyez très prudent si vous devez utiliser l'appareil dans des endroits comportant des matières inflammables.
- ◆ Ne dirigez pas le souffle d'air chaud vers d'autres personnes ou des animaux.
- ◆ Ne touchez pas la buse ; elle atteint en effet des températures très élevées pendant l'utilisation et reste très chaude pendant 30 minutes environ après utilisation.
- ◆ Ne laissez pas reposer la buse contre un objet quelconque lors de l'utilisation ou immédiatement après.
- ◆ N'enfoncez rien dans la buse, pour éviter toute électrocution.
- ◆ Ne regardez pas sous la buse alors que l'outil est allumé.
- ◆ N'utilisez jamais l'outil comme un sèche-cheveux ! La température de l'air pulsé est bien supérieure à celle d'un sèche-cheveux.
- ◆ Prenez soin de bien aérer correctement la zone de travail pendant l'utilisation pour éviter la formation de vapeurs toxiques.
- ◆ N'utilisez pas cet outil dans une atmosphère humide.
- ◆ La chaleur peut être véhiculée vers les matières inflammables qui ne sont pas visibles. Les espaces derrière les planches, plafonds et planchers ainsi que les cavités murales dans les maisons construites en bois peuvent contenir des matériaux inflammables. Procédez à une vérification avant de débiter le travail.

- ◆ N'utilisez pas en présence d'une atmosphère explosive ; par ex. n'utilisez pas l'outil à proximité de gaz, de liquides ou de matières inflammables.
- ◆ Lors du décapage de la peinture, assurez-vous que la zone de travail est bien isolée. Portez un masque contre la poussière spécialement conçu pour vous protéger de la poussière des peintures et des fumées à base de plomb et veillez à ce que les personnes se trouvant à l'intérieur de la zone de travail ou y pénétrant soient également protégées.
- ◆ Ne brûlez pas la peinture au risque de provoquer un incendie.
- ◆ Veillez à ce qu'aucune trace de peinture n'adhère à la buse car elle pourrait s'enflammer à la longue.
- ◆ N'utilisez pas l'outil au même endroit pendant longtemps.
- ◆ Ne laissez jamais l'outil sans surveillance pendant l'utilisation.
- ◆ Ne laissez pas l'appareil sans surveillance lorsqu'il est allumé ou lorsqu'il refroidit.
- ◆ Éteignez l'outil et laissez-le refroidir avant de monter un accessoire.
- ◆ Laissez l'outil refroidir totalement avant de le ranger.

## Décapage de peinture au plomb

Le décapage de peinture doit faire l'objet d'une attention extrême. Les écailles, les résidus et les vapeurs de peinture peuvent contenir du plomb, qui peut se révéler toxique. Tous les immeubles construits avant 1960 sont susceptibles d'avoir été peints avec de la peinture au plomb. Cette peinture doit être recouverte de couches de peinture sans plomb. En présence de ces peintures en surface, évitez tout contact avec la bouche qui pourrait entraîner une ingestion de plomb. L'exposition au plomb, même dans des proportions très faibles, peut entraîner des lésions irréversibles du cerveau et du système nerveux. L'empoisonnement au plomb peut être particulièrement grave pour les enfants et les femmes enceintes.

Avant de commencer le travail, il est important de déterminer si la peinture à décapier contient du plomb. Pour ce faire, utilisez un kit de test ou consultez un décorateur professionnel. Abstenez-vous de fumer, manger ou boire dans la zone de travail susceptible d'être contaminée par du plomb. Les peintures au plomb doivent être décapées uniquement par un professionnel et cette opération ne doit pas être effectuée avec un décapeur thermique.

## Caractéristiques

1. Interrupteur marche/arrêt
2. Bouton de contrôle thermique
3. Gicleur

## Assemblage

**Attention !** Avant l'assemblage, assurez-vous que l'outil est éteint et débranché.

## Montage d'un accessoire

Un choix d'accessoires est disponible auprès de votre distributeur local.

- |                       |   |
|-----------------------|---|
| - Buse conique        | Concentre le flux d'air sur une surface restreinte          |
| - Buse large          | Disperse le flux d'air sur une surface étendue              |
| - Buse réfléchissante | Pour les soudures de tuyau                                  |
| - Protection du verre | Pour la protection du verre lors du décapage de la peinture |
| - Grattoir            | Pour retirer la peinture décapée et le vernis               |
- ◆ Placez le raccord de l'accessoire sur la buse (3).

**Attention !** Assurez-vous que l'outil est éteint et froid avant de monter un accessoire quelconque.

## Utilisation

**Attention !** Laissez l'outil fonctionner à sa propre vitesse. Ne le surchargez pas.

## Réglage de la température (fig. A)

- ◆ Pour augmenter le réglage de température, tournez le bouton de contrôle thermique (2) dans le sens des aiguilles d'une montre.
- ◆ Pour réduire le réglage de température, tournez le bouton de contrôle thermique dans le sens inverse des aiguilles d'une montre.

## Démarrage et arrêt

- ◆ Pour démarrer l'outil, mettez l'interrupteur marche/arrêt (1) sur la position I.
- ◆ Pour éteindre l'outil, mettez l'interrupteur marche/arrêt sur la position O.

## Utilisation de l'outil

- ◆ Laissez l'outil chauffer pendant quelques secondes avant de l'utiliser.
- ◆ Lors de la première utilisation, la buse peut émettre un peu de fumée. Ce phénomène est normal et doit diminuer rapidement.
- ◆ Utilisez le réglage de température minimum pour sécher les peintures et vernis, retirer les autocollants, contracter les gaines d'isolation et dégeler les tuyaux gelés.
- ◆ Utilisez le réglage de température moyen pour souder les matières plastiques, plier les tuyaux plastiques et desserrer les écrous et vis bloqués.
- ◆ Utilisez le réglage de température maximum pour retirer les peintures et laques et souder les joints de plomberie.

- ◆ Si vous n'êtes pas sûr du réglage de l'outil pour un matériau particulier, commencez à sécher avec le réglage minimum et effectuez un test sur un échantillon du matériau.

### Utilisation main-libre (fig. B)

L'outil dispose d'emplacements de support vertical (4) pour permettre un usage main-libre.

- ◆ Placez l'outil avec la buse dirigée vers le haut sur une surface où il ne peut basculer.
- ◆ Coincez le câble électrique pour ne pas risquer de faire tomber l'outil du support vertical.

**Attention !** Ne pointez jamais l'outil dans votre direction ou celle d'autres personnes. Ne touchez pas la buse. Ne laissez jamais du matériau traité tomber dans la buse.

### Décapage de peinture

- ◆ Dirigez l'air chaud sur la surface de travail pour chauffer la peinture.
- ◆ Ne brûlez pas la peinture. Maintenez la buse à 25 mm au moins de la surface.
- ◆ Lorsque la peinture commence à ramollir, retirez-la à l'aide d'un grattoir. Grattez la peinture ramollie immédiatement ou elle va durcir à nouveau.
- ◆ Grattez dans le sens du fil du bois dès que possible.
- ◆ Ne laissez pas peinture et débris s'accumuler sur le grattoir.
- ◆ Lorsque vous décapez en position verticale, grattez en direction du bas pour éviter que la peinture ne retombe dans la buse.
- ◆ Lorsque vous décapez la peinture à proximité d'une surface en verre, prenez les mesures de protection nécessaires afin de protéger le verre contre la chaleur.
- ◆ **Attention !** N'essayez pas de décapier de la peinture de fenêtres à châssis métallique.
- ◆ Jetez tous les débris de peinture dans un endroit sûr et assurez-vous que la zone de travail est bien correctement nettoyée après utilisation.

### Refroidissement

En cours d'utilisation, la buse de l'outil atteint des températures très élevées. Après l'avoir éteint, laissez l'outil refroidir pendant au moins 30 minutes.

- ◆ Placez l'outil avec la buse dirigée vers le haut sur une surface où il ne peut basculer.
- ◆ Pour accélérer le refroidissement, faites fonctionner l'outil à la température minimum pendant quelques minutes avant de l'éteindre.

### Entretien

L'outil a été conçu pour fonctionner pendant longtemps avec un minimum d'entretien. Un fonctionnement continu satisfaisant dépend d'un nettoyage régulier et d'un entretien approprié de l'outil.

- ◆ Nettoyez régulièrement les fentes de ventilation à l'aide d'un pinceau propre et sec.
- ◆ Pour nettoyer l'outil, n'utilisez qu'un détergent doux et un chiffon humide. Aucun liquide ne doit pénétrer dans l'outil. N'immergez jamais aucune pièce de l'outil dans un liquide.

### Protection de l'environnement



Collecte séparée. Ce produit ne doit pas être jeté avec les déchets domestiques normaux.

Si vous décidez de remplacer ce produit Black & Decker, ou si vous n'en avez plus l'utilité, ne le jetez pas avec vos déchets domestiques. Rendez-le disponible pour une collecte séparée.



La collecte séparée des produits et emballages usés permet le recyclage des articles afin de les utiliser à nouveau. Le fait d'utiliser à nouveau des produits recyclés permet d'éviter la pollution environnementale et de réduire la demande de matières premières.

Les réglementations locales peuvent permettre la collecte séparée des produits électriques du foyer, dans des déchetteries municipales ou auprès du revendeur vous ayant vendu votre nouveau produit.

Black & Decker fournit un dispositif permettant de collecter et de recycler les produits Black & Decker lorsqu'ils ont atteint la fin de leur cycle de vie. Pour pouvoir profiter de ce service, veuillez retourner votre produit à un réparateur agréé qui se chargera de le collecter pour nous.

Pour connaître l'adresse du réparateur agréé le plus proche de chez vous, contactez le bureau Black & Decker à l'adresse indiquée dans ce manuel. Vous pourrez aussi trouver une liste des réparateurs agréés de Black & Decker et de plus amples détails sur notre service après-vente sur le site Internet à l'adresse suivante : [www.2helpU.com](http://www.2helpU.com)

### Caractéristiques techniques

		KX1800	KX2000
Tension	V <sub>AC</sub>	230	230
Construction		Classe I	Classe I
Puissance absorbée	W	1.800	2.000
Intervalle de température	°C	50 - 600	50 - 600
Poids	kg	0,85	0,85

## Déclaration de conformité CE

KX1800 TYPE 2/KX2000 TYPE 2

Black & Decker déclare que ces produits sont conformes à :  
98/37/CEE, 89/336/CEE, 73/23/CEE, EN 50144, EN 55014,  
EN 60335, EN 61000

$L_{pA}$  (pression sonore) 75 dB(A), poids de la vibration sur la  
main/bras  $< 2,5 \text{ m/s}^2$



Kevin Hewitt  
Directeur Ingénierie Client  
Spennymoor, County Durham DL16 6JG,  
Royaume Uni  
1-10-2005

## Garantie

Black & Decker est confiant dans la qualité de ses produits et vous offre une garantie très étendue. Ce certificat de garantie est un document supplémentaire et ne peut en aucun cas se substituer à vos droits légaux. La garantie est valable sur tout le territoire des Etats Membres de l'Union Européenne et de la Zone de Libre Echange Européenne.

Si un produit Black & Decker s'avère défectueux en raison de matériaux en mauvaises conditions, d'une erreur humaine, ou d'un manque de conformité dans les 24 mois suivant la date d'achat, Black & Decker garantit le remplacement des pièces défectueuses, la réparation des produits usés ou cassés ou remplace ces produits à la convenance du client, sauf dans les circonstances suivantes :

- ◆ Le produit a été utilisé dans un but commercial, professionnel, ou a été loué.
- ◆ Le produit a été mal utilisé ou avec négligence.
- ◆ Le produit a subi des dommages à cause d'objets étrangers, de substances ou à cause d'accidents.
- ◆ Des réparations ont été tentées par des techniciens ne faisant pas partie du service technique de Black & Decker.

Pour avoir recours à la garantie, il est nécessaire de fournir une preuve d'achat au vendeur ou à un réparateur agréé. Pour connaître l'adresse du réparateur agréé le plus proche de chez vous, contactez le bureau Black & Decker à l'adresse indiquée dans ce manuel. Vous pourrez aussi trouver une liste des réparateurs agréés de Black & Decker et de plus amples détails sur notre service après-vente sur le site Internet à l'adresse suivante : **[www.2helpU.com](http://www.2helpU.com)**

Visitez notre site Web **[www.blackanddecker.fr](http://www.blackanddecker.fr)** pour enregistrer votre nouveau produit Black & Decker et être informé des nouveaux produits et des offres spéciales. Pour plus d'informations concernant la marque Black & Decker et notre gamme de produits, consultez notre site **[www.blackanddecker.fr](http://www.blackanddecker.fr)**



## Uso previsto

Questo utensile è stato progettato per numerose applicazioni con riscaldamento (ad esempio per sverniciatura). L'utensile è stato progettato per un uso individuale.

## Norme generiche di sicurezza

**Attenzione!** Leggere tutte le istruzioni. La mancata osservazione delle presenti istruzioni potrebbe causare scosse elettriche, incendi e/o infortuni gravi. Il termine "elettroutensile" che ricorre in tutti le avvertenze seguenti si riferisce ad utensili elettrici con o senza filo. **CONSERVARE QUESTE ISTRUZIONI.**

### 1. Area di lavoro

- a. **Mantenere pulita e bene illuminata l'area di lavoro.** Il disordine e la scarsa illuminazione possono causare incidenti.
- b. **Evitare d'impiegare gli elettroutensili in ambienti esposti al rischio di esplosione, ad esempio in presenza di liquidi, gas o polveri infiammabili.** Gli elettroutensili producono scintille che possono far infiammare la polvere o i fumi.
- c. **Mantenere lontani bambini ed astanti mentre si usa l'elettroutensile.** Eventuali distrazioni possono comportare la perdita del controllo dell'utensile.

### 2. Sicurezza elettrica

- a. **La spina elettrica deve essere adatta alla presa. Evitare assolutamente di alterare la spina. Non impiegare spine adattatrici con utensili provvisti di messa a terra.** L'uso di spine inalterate e delle prese corrispondenti riduce il rischio di scosse elettriche.
- b. **Evitare il contatto fisico con superfici collegate a terra, come tubi, radiatori, forni e frigoriferi:** un corpo collegato a massa è esposto maggiormente al rischio di scosse elettriche.
- c. **Custodire gli elettroutensili al riparo dalla pioggia o dall'umidità.** L'eventuale infiltrazione di acqua in un elettroutensile va ad aumentare il rischio di scosse elettriche.
- d. **Non esporre il cavo a sollecitazioni. Non usare il cavo per trasportare o trainare l'utensile e non tirarlo per estrarre la spina dalla presa di corrente. Mantenere il cavo al riparo dal calore, da bordi taglienti e/o da parti in movimento.** I cavi danneggiati o aggrovigliati aumentano il rischio di scosse elettriche.
- e. **Se l'elettroutensile viene adoperato all'aperto, usare esclusivamente prolunghe omologate per l'impiego all'esterno.** Un cavo adatto per uso esterno riduce il rischio di scosse elettriche.

### 3. Sicurezza delle persone

- a. **È importante concentrarsi su ciò che si sta facendo e maneggiare con giudizio l'elettroutensile.**

**Non adoperare l'utensile se si è stanchi o sotto l'effetto di stupefacenti, alcol o medicinali:** un attimo di distrazione può causare gravi infortuni personali.

- b. **Indossare sempre un equipaggiamento protettivo. Indossare sempre degli occhiali di sicurezza.** Se si avrà cura d'indossare l'equipaggiamento protettivo come necessario - ad esempio una maschera antipolvere, delle calzature antiscivolo, un casco o delle otoprotezioni - si riduce il rischio di infortuni.
  - c. **Evitare l'accensione involontaria dell'utensile. Prima d'inserire la spina nella presa, controllare che l'interruttore sia su Off.** Per non esporsi al rischio d'incidenti, non trasportare gli elettroutensili tenendo le dita sull'interruttore oppure, se sono collegati all'alimentazione, con l'interruttore di accensione su On.
  - d. **Prima di accendere un elettroutensile, togliere eventuali chiavi o attrezzi di regolazione.** Un utensile o una chiave inglese lasciati in un componente mobile dell'utensile potranno causare lesioni.
  - e. **Non sporgersi. Mantenere sempre un buon equilibrio evitando posizioni malsicure.** In questo modo è possibile controllare meglio l'utensile in situazioni inaspettate.
  - f. **Vestirsi adeguatamente. Evitare di indossare indumenti larghi o gioielli. Tenere capelli, vestiti e guanti lontani da pezzi in movimento.** Vestiti larghi, gioielli o capelli lunghi potranno impigliarsi nei componenti in movimento.
  - g. **Se gli utensili sono provvisti di attacchi per la connessione di dispositivi di aspirazione o raccolta della polvere, assicurarsi che questi siano installati e utilizzati correttamente.** L'impiego dei suddetti dispositivi diminuisce i rischi correlati alle polveri.
4. **Uso e cura degli elettroutensili**
    - a. **Non sovraccaricare l'utensile. Usare l'elettroutensile adatto per il lavoro da eseguire.** Utilizzando l'elettroutensile adatto si potrà lavorare meglio e con maggiore sicurezza alla potenza nominale prevista.
    - b. **Non utilizzare elettroutensili con interruttori difettosi.** Un elettroutensile che non può essere controllato mediante l'interruttore è pericoloso e deve essere riparato.
    - c. **Estrarre la spina dalla presa di corrente prima di regolare l'utensile, di sostituire degli accessori o di riporre l'utensile.** Queste precauzioni di sicurezza riducono le possibilità che l'utensile venga messo in funzione inavvertitamente.
    - d. **Quando non vengono usati, gli elettroutensili vanno custoditi fuori della portata dei bambini.** Non consentire l'uso dell'utensile a persone inesperte o che non abbiano letto le presenti istruzioni. Gli elettroutensili risultano pericolosi se usati da persone inesperte.

- e. **Sottoporre gli elettroutensili alle procedure di manutenzione del caso. Verificare che le parti mobili siano bene allineate e non s'incepino, che non ci siano componenti rotti e/o non sussistano altre condizioni che possano compromettere il funzionamento dell'utensile. Eventuali guasti vanno riparati prima dell'uso.** La scarsa manutenzione causa molti incidenti.
- f. **Mantenere affilati e puliti gli utensili da taglio.** Se sottoposti alla giusta manutenzione, gli utensili da taglio con taglienti affilati s'incepiscono meno frequentemente e sono più facili da manovrare.
- g. **Utilizzare l'elettroutensile, gli accessori, le punte ecc. in conformità delle presenti istruzioni e secondo la specifica destinazione prevista, tenendo conto delle condizioni di lavoro e del lavoro da completare.** L'impiego degli elettroutensili per usi diversi da quelli consentiti può dar luogo a situazioni di pericolo.

## 5. Riparazioni

- a. **Fare riparare l'utensile solo ed esclusivamente da personale specializzato e solo impiegando pezzi di ricambio originali.** La sicurezza dell'utensile sarà conservata.

## Sicurezza elettrica



Questo prodotto deve essere collegato a massa. Controllare sempre che l'alimentazione corrisponda alla tensione indicata sulla targhetta delle caratteristiche.

## Cadute di tensione

Una rapida richiesta di corrente può causare brevi cadute di tensione. In condizioni sfavorevoli di alimentazione, altri apparati potrebbero esserne influenzati. Ad esempio, l'illuminazione subirà un breve abbassamento all'accensione della macchina. Se l'impedenza dell'alimentatore è inferiore a  $0,19 \Omega$ , è probabile che tali interferenze non si verifichino.

- ◆ L'elettroutensile non deve essere utilizzato da ragazzi o persone inabili senza la supervisione di un adulto. Controllare i bambini per evitare che giochino con l'elettroutensile.
- ◆ Se il cavo elettrico in dotazione risulta danneggiato, deve essere sostituito dal produttore o da un Centro di assistenza autorizzato Black & Decker, onde evitare rischi.

## Cavi di prolunga per prodotti di classe 1

- ◆ Deve essere utilizzato un cavo a 3 conduttori dato che l'utensile è collegato a terra ed è un prodotto di classe 1.

- ◆ È possibile adoperare un cavo fino a 30 m di lunghezza senza perdita di potenza.

## Istruzioni di sicurezza supplementari per pistole termiche

- ◆ **Attenzione!** Questo utensile non è destinato all'uso da parte di ragazzi o di persone inferme. I bambini devono essere controllati per assicurarsi che non tocchino l'utensile.
- ◆ **Attenzione!** Collocare sempre l'utensile in una posizione stabile, quando non è in uso.
- ◆ Se l'utensile non è utilizzato con attenzione, è possibile causare incendi. Quindi utilizzare sempre l'utensile con cura ed attenzione.
- ◆ Non ostruire le fessure di aspirazione dell'aria né il beccuccio di uscita, per evitare un eccessivo surriscaldamento che può danneggiare l'utensile.
- ◆ Fare attenzione quando l'elettroutensile viene adoperato in presenza di materiali infiammabili.
- ◆ Non orientare il getto di aria calda verso altre persone o animali.
- ◆ Non toccare il beccuccio di uscita in quanto raggiunge temperature molto elevate durante l'uso e rimane molto caldo fino a 30 minuti dopo l'uso.
- ◆ Non appoggiare il beccuccio di uscita contro altri oggetti durante o immediatamente dopo l'uso.
- ◆ Non introdurre oggetti nel beccuccio per evitare scosse elettriche.
- ◆ Non guardare mai all'interno del beccuccio con l'utensile acceso.
- ◆ Non usare l'utensile come asciugacapelli. La temperatura dell'aria è molto più elevata di quella fornita da un asciugacapelli.
- ◆ Assicurare una adeguata ventilazione durante l'uso per eliminare i fumi tossici prodotti.
- ◆ Non utilizzare l'utensile in atmosfera ricca di umidità.
- ◆ Il calore si può propagare su materiali infiammabili non in vista. Gli spazi dietro pannelli, soffitti o pavimenti e le cavità nelle pareti in case con intelaiatura in legno, possono contenere materiali infiammabili. Controllare prima di iniziare il lavoro.
- ◆ Non utilizzare in ambienti esposti al rischio di esplosione, ovvero non utilizzare l'elettroutensile in presenza di gas, liquidi o materiali infiammabili.
- ◆ Nelle operazioni di sverniciatura, accertarsi che la zona in cui si lavora sia protetta. Indossare una mascherina di protezione specifica per fumi e polveri di vernice al piombo e verificare che anche le persone presenti o in arrivo nell'area di lavoro siano adeguatamente protette.
- ◆ Non bruciare la vernice, perché può causare incendi.
- ◆ Non fare attaccare la vernice al beccuccio perché potrebbe prendere fuoco in un secondo momento.
- ◆ Non dirigere il flusso sulla stessa area per un periodo di tempo prolungato.

- ◆ Non lasciare mai l'utensile in funzione se incustodito.
- ◆ Non lasciare l'elettrotensile incustodito quando è acceso o mentre si sta raffreddando.
- ◆ Spegnerne sempre l'utensile ed attendere che si raffreddi prima collegare qualsiasi accessorio.
- ◆ Fare raffreddare completamente l'utensile prima di riporlo.

### Rimozione di vernice a base di piombo

Nelle operazioni di sverniciatura è necessario porre estrema attenzione. Le scaglie, i residui e i vapori della vernice possono contenere piombo, che è tossico. Tutti gli edifici la cui costruzione risale a prima del 1960 possono essere stati pitturati con vernice contenente piombo, ricoperta in seguito con successivi strati di vernice. Il contatto delle mani con la superficie verniciata è sufficiente perché il piombo aderisca all'epidermide: le mani portate alla bocca possono provocare l'ingestione di piombo.

Anche un'esposizione a bassi livelli di piombo può causare danni irreversibili al cervello e al sistema nervoso. L'avvelenamento da piombo è pericoloso soprattutto per i bambini e le donne in gravidanza.

Prima di iniziare a lavorare è importante determinare se la vernice da rimuovere contenga o meno piombo. A questo scopo è possibile utilizzare un kit di prova oppure richiedere l'intervento di uno stuccatore professionista. Non fumare, mangiare o bere in aree di lavoro con possibile contaminazione da piombo. Le vernici a base di piombo devono essere asportate esclusivamente da un professionista e non devono essere rimosse per mezzo di una pistola termica.

### Caratteristiche

1. Interruttore acceso/spento
2. Pomello di regolazione della temperatura
3. Beccuccio

### Montaggio

**Attenzione!** Prima di montarlo assicuratevi che l'utensile sia spento e desinserito.

### Attacco di un accessorio

Un'ampia gamma di accessori è disponibile presso il rivenditore di zona.

- |                          |   |
|--------------------------|---|
| - Ugello conico          | Concentra il flusso d'aria su una superficie ridotta  |
| - Beccuccio a ventaglio  | Diffonde il flusso d'aria su una superficie più ampia |
| - Riflettore a cucchiaio | Per la saldatura di tubi                              |
| - Protezione per vetro   | Per la protezione del vetro durante la sverniciatura  |
| - Raschietto             | Per rimuovere scaglie di pittura o vernice            |

- ◆ Collegare l'attacco previsto per l'accessorio desiderato sul beccuccio (3).

**Attenzione!** Controllare che l'utensile sia spento e completamente raffreddato prima di collegare qualsiasi accessorio.

### Uso

**Attenzione!** Lasciare che l'utensile lavori al suo ritmo, senza sovraccaricarlo.

### Regolazione della temperatura (fig. A)

- ◆ Per aumentare la temperatura, ruotare il pomello di regolazione della temperatura (2) in senso orario.
- ◆ Per ridurre la temperatura, ruotare il pomello di regolazione della temperatura in senso antiorario.

### Avviamento e spegnimento

- ◆ Per avviare l'utensile, posizionate l'interruttore (1) sulla posizione I.
- ◆ Per spegnere l'utensile posizionate l'interruttore sulla posizione O.

### Utilizzo dell'utensile

- ◆ Permettere all'utensile di riscaldarsi per pochi secondi prima dell'uso.
- ◆ Al primo utilizzo può fuoriuscire del fumo dal beccuccio. Questa è una condizione normale e si ridurrà velocemente.
- ◆ Utilizzare un'impostazione a bassa temperatura per essiccare pittura o vernice, rimuovere adesivi, far restringere tubi isolanti e per sciogliere condutture congelate.
- ◆ Utilizzare un'impostazione a media temperatura per la saldatura di materiali plastici, per la piegatura di tubi in plastica e per allentare dadi e viti eccessivamente serrati.
- ◆ Utilizzare un'impostazione ad elevata temperatura per l'asportazione di vernici e smalti e per la saldatura di giunti in piombo.
- ◆ Se non si è sicuri riguardo all'impiego di questo utensile su di un particolare materiale, iniziare con una bassa temperatura ed eseguire una prova su un pezzo di scarto.

### Utilizzo con le mani libere (fig. B)

L'utensile è dotato di posizioni di appoggio (4) per agevolare l'impiego con le mani libere.

- ◆ Collocare l'utensile con il beccuccio rivolto verso l'alto, su una superficie su cui non possa essere ribaltato.
- ◆ Fissare il cavo per evitare di tirare via l'utensile dalla posizione di appoggio.

**Attenzione!** Dirigere sempre l'utensile lontano dal proprio corpo o da altre persone. Non toccare il beccuccio. Porre attenzione a non far cadere alcun materiale all'interno dell'ugello.

### Sverniciatura

- ◆ Dirigere il flusso di aria calda verso l'area di lavoro per riscaldare la vernice.
- ◆ Non bruciare la vernice. Mantenere il beccuccio ad almeno 25 mm dalla superficie.
- ◆ Quando la vernice inizia ad ammorbidirsi, asportarla usando un raschietto manuale. Asportare immediatamente la vernice ammorbidita, altrimenti si indurrà di nuovo.
- ◆ Raschiare in direzione della venatura del legno, quando possibile.
- ◆ Evitare l'accumulo di residui di vernice sul raschietto.
- ◆ Nella sverniciatura in posizione verticale, raschiare verso il basso per evitare che la vernice ricada all'interno del beccuccio.
- ◆ Nella sverniciatura su superfici in prossimità di vetri, applicare le misure necessarie a proteggere il vetro dal calore.
- ◆ **Attenzione!** Non tentare di rimuovere la vernice da finestre con telaio metallico.
- ◆ Smaltire tutti i residui di vernice in condizioni di sicurezza e accertarsi che l'area di lavoro sia completamente pulita dopo l'uso.

### Raffreddamento

Durante l'uso, il beccuccio dell'utensile raggiunge temperature molto elevate. Dopo lo spegnimento, lasciar raffreddare l'utensile per almeno 30 minuti.

- ◆ Collocare l'utensile con il beccuccio rivolto verso l'alto, su una superficie su cui non possa essere ribaltato.
- ◆ Per ridurre il periodo di raffreddamento, azionare l'utensile impostato sulla temperatura minima per pochi minuti prima dello spegnimento.

### Manutenzione

Questo utensile è stato progettato per funzionare a lungo con un minimo di manutenzione. Per ottenere prestazioni sempre soddisfacenti occorre avere cura dell'utensile e sottoporlo a pulizia periodica.

- ◆ Pulire regolarmente le fessure di ventilazione con un pennello pulito e asciutto.
- ◆ Per pulire l'utensile, usare solo sapone delicato ed un panno umido. Evitare sempre l'infiltrazione di liquidi all'interno dell'utensile che non deve essere mai immerso in alcun liquido.

### Protezione dell'ambiente



Raccolta differenziata. Questo prodotto non deve essere smaltito con i normali rifiuti domestici.

Nel caso in cui si decida di sostituire l'apparecchio oppure di disfarsene in quanto non più necessario, non dovrà essere smaltito con i normali rifiuti domestici. Smaltire il prodotto tramite raccolta differenziata.



La raccolta differenziata di prodotti e imballaggi usati, consente il riciclaggio e il riutilizzo dei materiali. Riutilizzare i materiali riciclati aiuta a prevenire l'inquinamento ambientale e riduce la richiesta di materie prime.

In base alle normative locali, i servizi per la raccolta differenziata di elettrodomestici possono essere disponibili presso i punti di raccolta municipali o presso il rivenditore, al momento dell'acquisto di un nuovo prodotto.

Black & Decker offre ai suoi clienti un servizio per la raccolta differenziata e la possibilità di riciclare i prodotti Black & Decker che hanno esaurito la loro durata in servizio. Per usufruire del servizio, è sufficiente restituire il prodotto a qualsiasi tecnico autorizzato, incaricato della raccolta per conto dell'azienda.

Per individuare il tecnico autorizzato più vicino, rivolgersi alla sede Black & Decker locale, presso il recapito indicato nel presente manuale. Altrimenti un elenco completo di tutti i tecnici autorizzati Black & Decker e i dettagli completi sui contatti e i servizi post-vendita sono disponibili sul sito Internet: [www.2helpU.com](http://www.2helpU.com)

### Dati tecnici

		KX1800	KX2000
Tensione	V <sub>AC</sub>	230	230
Costruzione		Classe I	Classe I
Potenza assorbita	W	1.800	2.000
Gamma di temperature	°C	50 - 600	50 - 600
Peso	kg	0,85	0,85

## Dichiarazione europea di conformità del macchinario

KX1800 TYPE 2/KX2000 TYPE 2

Black & Decker dichiara che i presenti prodotti sono conformi a:  
98/37/CEE, 89/336/CEE, 73/23/CEE, EN 50144, EN 55014,  
EN 60335, EN 61000

$L_{PA}$  (pressione sonora) 75 dB(A),

vibrazione misurata su braccio/mano < 2,5 m/s<sup>2</sup>



Kevin Hewitt

Direttore tecnico prodotti di consumo  
Spennymoor, County Durham DL16 6JG,  
Regno Unito  
1-10-2005

I clienti che desiderano registrare il nuovo prodotto Black & Decker e ricevere gli aggiornamenti sui nuovi prodotti e le offerte speciali, sono invitati a visitare il sito Web ([www.blackanddecker.it](http://www.blackanddecker.it)). Ulteriori informazioni sul marchio e la gamma di prodotti Black & Decker sono disponibili all'indirizzo [www.blackanddecker.it](http://www.blackanddecker.it)

## Garanzia

Certa della qualità dei suoi prodotti, Black & Decker offre una garanzia eccezionale. Il presente certificato di garanzia è complementare ai diritti statutari e non li pregiudica in alcun modo. La garanzia è valida entro il territorio degli Stati membri dell'Unione Europea e dell'EFTA (European Free Trade Area).

Se un prodotto Black & Decker risulta difettoso per qualità del materiale, della costruzione o per mancata conformità entro 24 mesi dalla data di acquisto, Black & Decker garantisce la sostituzione delle parti difettose, provvede alla riparazione dei prodotti se ragionevolmente usurati oppure alla loro sostituzione, in modo da ridurre al minimo il disagio del cliente a meno che:

- ◆ Il prodotto non sia stato destinato ad usi commerciali, professionali o al noleggio;
- ◆ Il prodotto non sia stato usato in modo improprio o scorretto;
- ◆ Il prodotto non abbia subito danni causati da oggetti o sostanze estranee oppure incidenti;
- ◆ Il prodotto non abbia subito tentativi di riparazione non effettuati da tecnici autorizzati né dall'assistenza Black & Decker.

Per attivare la garanzia è necessario esibire la prova comprovante l'acquisto al venditore o al tecnico autorizzato. Per individuare il tecnico autorizzato più vicino, rivolgersi alla sede Black & Decker locale, presso il recapito indicato nel presente manuale. Altrimenti un elenco completo di tutti i tecnici autorizzati Black & Decker e i dettagli completi sui contatti e i servizi post-vendita sono disponibili su Internet presso: [www.2helpU.com](http://www.2helpU.com)

## Gebruik volgens bestemming

Deze machine is ontworpen voor verschillende verwaringswerkzaamheden (bijv. het strippen van verf). Deze machine is uitsluitend bestemd voor consumentengebruik.

## Algemene veiligheidsvoorschriften

**Waarschuwing!** Lees alle voorschriften. Wanneer de volgende voorschriften niet in acht worden genomen, kan dit een elektrische schok, brand of ernstig letsel tot gevolg hebben. Het hierna gebruikte begrip 'elektrisch gereedschap' heeft betrekking op elektrische gereedschappen voor gebruik op het stroomnet (met netsnoer) of op accu (snoerloos). **BEWAAR DEZE VOORSCHRIFTEN GOED.**

### 1. Werkomgeving

#### a. Houd uw werkomgeving schoon en opgeruimd.

Een rommelige of onverlichte werkomgeving kan tot ongevallen leiden.

#### b. Werk met de machine niet in een omgeving met explosiegevaar, zoals in de nabijheid van brandbare vloeistoffen, gasen of stof bevinden.

Elektrische gereedschappen veroorzaken vonken die het stof of de dampen tot ontsteking kunnen brengen.

#### c. Houd kinderen en andere personen tijdens het gebruik van het elektrische gereedschap uit de buurt. Wanneer u wordt afgeleid, kunt u de controle over het gereedschap verliezen.

### 2. Elektrische veiligheid

#### a. De netstekker van het gereedschap moet in het stopcontact passen. De stekker mag in geen geval worden veranderd. Gebruik geen adapterstekkers in combinatie met gearde gereedschappen.

Onveranderde stekkers en passende stopcontacten beperken het risico van een elektrische schok.

#### b. Voorkom aanraking van het lichaam met gearde oppervlakken, bijvoorbeeld buizen, verwarmingen, fornuizen en koelkasten. Er bestaat een verhoogd risico voor een elektrische schok wanneer uw lichaam geaard is.

#### c. Houd het gereedschap uit de buurt van regen en vocht. Het binnendringen van water in het elektrische gereedschap vergroot het risico van een elektrische schok.

#### d. Gebruik het snoer niet voor een verkeerd doel. Gebruik het snoer niet om het gereedschap te dragen of op te hangen of om de stekker uit het stopcontact te trekken. Houd het snoer uit de buurt van hitte, olie, scherpe randen of bewegende delen. Beschadigde of in de war geraakte snoeren vergroten het risico van een elektrische schok.

#### e. Wanneer u buitenshuis met elektrisch gereedschap werkt, dient u alleen verlengsnoeren te gebruiken die voor gebruik buitenshuis zijn goedgekeurd.

Het gebruik van een voor gebruik buitenshuis geschikt verlengsnoer beperkt het risico van een elektrische schok.

### 3. Veiligheid van personen

#### a. Wees alert, let goed op wat u doet en ga met verstand te werk bij het gebruik van elektrische gereedschappen. Gebruik elektrisch gereedschap niet wanneer u moe bent of onder invloed van drugs, alcohol of medicijnen. Een moment van onoplettendheid bij het gebruik van het gereedschap kan tot ernstige verwondingen leiden.

#### b. Draag persoonlijke beschermende uitrusting. Draag altijd een veiligheidsbril. Het dragen van persoonlijke beschermende uitrusting zoals een stofmasker, slipvaste werkschoenen, een veiligheidshelm of gehoorbescherming, afhankelijk van de aard en het gebruik van het elektrische gereedschap, vermindert het risico van verwondingen.

#### c. Voorkom per ongeluk inschakelen. Controleer of de schakelaar in de uit-stand staat voordat u de stekker in het stopcontact steekt. Wanneer u bij het dragen van het gereedschap uw vinger aan de schakelaar hebt of wanneer u het gereedschap ingeschakeld op de stroomvoorziening aansluit, kan dit tot ongevallen leiden.

#### d. Verwijder instelgereedschappen of schroefsleutels voordat u het gereedschap inschakelt.

Een instelgereedschap of sleutel in een draaiend deel van het gereedschap kan tot verwondingen leiden.

#### e. Reik niet te ver. Zorg er altijd voor dat u stevig staat en in evenwicht blijft. Daardoor kunt u het gereedschap in onverwachte situaties beter onder controle houden.

#### f. Draag geschikte kleding. Draag geen loshangende kleding of sieraden. Houd haren, kleding en handschoenen uit de buurt van bewegende delen.

Loshangende kleding, sieraden en lange haren kunnen door bewegende delen worden meegenomen.

#### g. Wanneer stofafzuigings- of stofopvangvoorzieningen kunnen worden gemonteerd, dient u zich ervan te verzekeren dat deze zijn aangesloten en juist worden gebruikt. Het gebruik van deze voorzieningen beperkt het gevaar door stof.

#### 4. Gebruik en onderhoud van elektrische gereedschappen

#### a. Overbelast het gereedschap niet. Gebruik voor uw toepassing het daarvoor bestemde elektrische gereedschap. Met het passende elektrische gereedschap werkt u beter en veiliger binnen het aangegeven capaciteitsbereik.

Met het passende elektrische gereedschap werkt u beter en veiliger binnen het aangegeven capaciteitsbereik.

#### a. Overbelast het gereedschap niet. Gebruik voor uw toepassing het daarvoor bestemde elektrische gereedschap. Met het passende elektrische gereedschap werkt u beter en veiliger binnen het aangegeven capaciteitsbereik.

Met het passende elektrische gereedschap werkt u beter en veiliger binnen het aangegeven capaciteitsbereik.

#### a. Overbelast het gereedschap niet. Gebruik voor uw toepassing het daarvoor bestemde elektrische gereedschap. Met het passende elektrische gereedschap werkt u beter en veiliger binnen het aangegeven capaciteitsbereik.

Met het passende elektrische gereedschap werkt u beter en veiliger binnen het aangegeven capaciteitsbereik.

#### a. Overbelast het gereedschap niet. Gebruik voor uw toepassing het daarvoor bestemde elektrische gereedschap. Met het passende elektrische gereedschap werkt u beter en veiliger binnen het aangegeven capaciteitsbereik.

Met het passende elektrische gereedschap werkt u beter en veiliger binnen het aangegeven capaciteitsbereik.

#### a. Overbelast het gereedschap niet. Gebruik voor uw toepassing het daarvoor bestemde elektrische gereedschap. Met het passende elektrische gereedschap werkt u beter en veiliger binnen het aangegeven capaciteitsbereik.

Met het passende elektrische gereedschap werkt u beter en veiliger binnen het aangegeven capaciteitsbereik.

#### a. Overbelast het gereedschap niet. Gebruik voor uw toepassing het daarvoor bestemde elektrische gereedschap. Met het passende elektrische gereedschap werkt u beter en veiliger binnen het aangegeven capaciteitsbereik.

Met het passende elektrische gereedschap werkt u beter en veiliger binnen het aangegeven capaciteitsbereik.

- b. Gebruik geen elektrisch gereedschap waarvan de schakelaar defect is.** Elektrisch gereedschap dat niet meer kan worden in- of uitgeschakeld, is gevaarlijk en moet worden gerepareerd.
- c. Trek de stekker uit het stopcontact voordat u het gereedschap instelt, toebehoren wisselt of het gereedschap weglegt.** Deze voorzorgsmaatregel voorkomt onbedoeld starten van het gereedschap.
- d. Bewaar niet-gebruikte elektrische gereedschappen buiten bereik van kinderen. Laat het gereedschap niet gebruiken door personen die er niet mee vertrouwd zijn en deze aanwijzingen niet hebben gelezen.** Elektrische gereedschappen zijn gevaarlijk wanneer deze door onervaren personen worden gebruikt.
- e. Verzorg het gereedschap zorgvuldig. Controleer of bewegende delen van het gereedschap correct functioneren en niet vastklemmen en of onderdelen zodanig gebroken of beschadigd zijn dat de werking van het gereedschap nadelig wordt beïnvloed. Laat beschadigde delen repareren voordat u het gereedschap gebruikt.** Veel ongevallen worden veroorzaakt door slecht onderhouden elektrische gereedschappen.
- f. Houd snijdende inzetgereedschappen scherp en schoon.** Zorgvuldig onderhouden snijdende inzetgereedschappen met scherpe snijkanten klemmen minder snel vast en zijn gemakkelijker te geleiden.
- g. Gebruik elektrische gereedschappen, toebehoren, inzetgereedschappen en dergelijke volgens deze aanwijzingen en zoals voor dit speciale gereedschapstype voorgeschreven. Let daarbij op de arbeidsomstandigheden en de uit te voeren werkzaamheden.** Het gebruik van elektrische gereedschappen voor andere dan de voorziene toepassingen kan tot gevaarlijke situaties leiden.
- 5. Service**
- a. Laat het gereedschap alleen repareren door gekwalificeerd en vakkundig personeel en alleen met originele vervangingsonderdelen.** Daarmee wordt de veiligheid van het gereedschap gewaarborgd.

### Elektrische veiligheid



Deze machine dient op een geaard stopcontact te worden aangesloten. Controleer altijd of uw netspanning overeenkomt met de waarde op het typeplaatje.

### Spanningsvallen

Inschakelprocessen veroorzaken kortstondige spanningsvallen. Door ongunstige omstandigheden in de voeding kunnen andere apparaten worden beïnvloed. Bij kunstmatig licht zal bijvoorbeeld een tijdelijke daling in omvang te zien zijn wanneer de machine wordt ingeschakeld. Als de impedantie van de voeding lager is dan  $0,19 \Omega$  zullen storingen nagenoeg niet voorkomen.

- ◆ Dit apparaat is niet bedoeld voor gebruik door jonge of lichamelijk zwakke personen zonder toezicht. Houd toezicht op kinderen om ervoor te zorgen dat zij niet met het apparaat gaan spelen.
- ◆ Indien het netsnoer is beschadigd, dient het ter voorkoming van gevaren te worden vervangen door de fabrikant of een erkend servicecentrum.

### Verlengsnoeren & klasse 1-product

- ◆ Een 3-aderig snoer moet worden gebruikt wanneer uw machine geaard is en de klasse 1-constructie heeft.
- ◆ Tot een lengte van 30 m kan worden gebruikt zonder verlies van vermogen.

### Aanvullende veiligheidsinstructies voor heteluchtpistolen

- ◆ **Waarschuwing!** Deze machine is niet bedoeld voor gebruik door jonge of lichamelijk zwakke personen. Houd toezicht op kinderen om ervoor te zorgen dat zij niet in aanraking komen met de machine.
- ◆ **Waarschuwing!** Plaats de machine altijd staande indien niet in gebruik.
- ◆ Er kan brand ontstaan indien de machine niet voorzichtig wordt bediend; gebruik de machine daarom altijd met zorg en aandacht.
- ◆ Blokkeer de luchtinlaatsleuven of de uitlaat van het mondstuk niet, omdat hierdoor de machine te heet wordt en kan beschadigen.
- ◆ Wees voorzichtig als u het apparaat in een omgeving gaat gebruiken waar zich brandbare materialen bevinden.
- ◆ Richt de heteluchtstroom niet op andere mensen of dieren.
- ◆ Raak het mondstuk niet aan, omdat het tijdens gebruik erg heet wordt en na gebruik nog ongeveer 30 minuten heet blijft.
- ◆ Plaats het mondstuk tijdens of direct na gebruik nergens tegenaan.
- ◆ Steek niets in het mondstuk, omdat u hierdoor een elektrische schok kunt krijgen.
- ◆ Kijk niet in het mondstuk wanneer de machine is ingeschakeld.
- ◆ Gebruik de machine niet als haardroger! De luchttemperatuur is veel hoger dan die van een haardroger.
- ◆ Zorg voor voldoende ventilatie tijdens gebruik, omdat giftige gassen kunnen ontstaan.
- ◆ Gebruik de machine niet in een vochtige omgeving.

- ◆ Let er op dat warmte kan worden overgebracht naar brandbare materialen die niet in het zicht zijn. Ruimtes achter platen, plafonds en vloeren alsook muurholtes in vakwerkbouwhuizen kunnen brandbare materialen bevatten. Controleer voordat u begint met werken.
- ◆ Gebruik niet in een explosieve omgeving, dat wil zeggen gebruik de machine niet waar brandbare gassen en materialen aanwezig kunnen zijn.
- ◆ Zorg er bij het strippen van verf voor dat het werkgebied is afgeschermd. Draag een stofmasker dat speciaal ontworpen is ter bescherming tegen loodverfstof en -damp en verzeker u ervan dat andere personen op de werkvloer of die de werkvloer betreden eveneens beschermd zijn.
- ◆ Verbrand geen verf, omdat dit brandgevaar kan veroorzaken.
- ◆ Laat geen verf aan het mondstuk plakken, omdat dit na enige tijd kan ontbranden.
- ◆ Richt niet te lang warmte op dezelfde plaats.
- ◆ Laat de machine tijdens gebruik niet zonder toezicht achter.
- ◆ Laat de machine niet onbeheerd achter wanneer deze is ingeschakeld of wanneer deze afkoelt.
- ◆ Schakel de machine uit en laat haar afkoelen voordat u een accessoire monteert.
- ◆ Laat de machine volledig afkoelen voordat u deze opbergt.

## Verwijderen van loodhoudende verf

Uiterste zorg moet worden gedragen bij het strippen van verf. De snippers, overblijfselen en dampen van de verf kunnen giftig lood bevatten. Elk gebouw van voor 1960 kan in het verleden zijn geschilderd met loodhoudende verf. Deze verf kan met aanvullende verflagen zijn overdekt. Wanneer het lood eenmaal op het oppervlak zit, kan het contact met handen en mond resulteren in opname van lood.

Blootstellingen aan zelfs een lage dosis lood kunnen onomkeerbare schade aan de hersenen en het zenuwstelsel tot gevolg hebben. Het grootste gevaar van loodvergiftiging bestaat voor kinderen en zwangere vrouwen.

Voordat u begint te werken, is het belangrijk om te bepalen of de te strippen verf lood bevat. Dit kan worden gedaan met een testset of door een professionele schilder. Rook, eet of drink niet in een werkomgeving die met lood kan zijn verontreinigd.

Loodhoudende verfwaren mogen alleen door een vakman worden verwijderd en mogen niet met behulp van een heteluchtpistool worden verwijderd.

## Onderdelen

1. Aan/uit-schakelaar
2. Temperatuurregelaar
3. Mondstuk

## Montage

**Waarschuwing!** Zorg vóór aanvang van de montage dat de machine is uitgeschakeld en de netstekker van het lichtnet is losgekoppeld.

## Monteren van een accessoire

Een geselecteerd assortiment accessoires is verkrijgbaar bij uw plaatselijke verkooppunt.

- Kegelvormig mondstuk      Concentreert de luchtstroom op een kleiner gebied
  - Vlak mondstuk                Verspreidt de luchtstroom over een breder gebied
  - Lepelvormig mondstuk      Voor het solderen van pijpen
  - Glasbeschermer              Voor het beschermen van glas tijdens het strippen van verf
  - Schrapper                      Voor het verwijderen van gestrippte verf and vernis
- ◆ Plaats het aansluitstuk van het accessoire over het mondstuk (3).

**Waarschuwing!** Zorg ervoor dat de machine is uitgeschakeld en afgekoeld voordat u een accessoire monteert.

## Gebruik

**Waarschuwing!** Laat de machine op haar eigen tempo werken. Niet overbelasten.

## Instellen van de temperatuur (fig. A)

- ◆ Om de temperatuurinstelling te verhogen, draait u de temperatuurregelaar (2) rechtsom.
- ◆ Om de temperatuurinstelling te verlagen, draait u de temperatuurregelaar linksom.

## Aan- en uitschakelen

- ◆ Om de machine aan te schakelen, zet u de aan/uitschakelaar (1) in positie I.
- ◆ Om de machine uit te schakelen, zet u de aan/uitschakelaar in positie O.

## Gebruiken van de machine

- ◆ Laat de machine voor gebruik een paar seconden opwarmen.
- ◆ Bij het eerste gebruik kan er wat rook uit het mondstuk komen. Dit is normaal en zal spoedig afnemen.
- ◆ Gebruik een lage temperatuurinstelling voor het drogen van verf en vernis, het verwijderen van stickers, het krimpen van isolatiebuizen en het ontdooien van bevroren pijpen.
- ◆ Gebruik een gemiddelde temperatuurinstelling voor het lassen van kunststoffen, het buigen van kunststof buizen en het losmaken van vast aangedraaide moeren en schroeven.



- ◆ Gebruik een hoge temperatuurinstelling voor het verwijderen van verf- en lakwaren en het solderen van sanitaire verbindingstukken.
- ◆ Begin bij onzekerheid over het gebruik van de machine op een specifiek materiaal met een lage temperatuurinstelling en verricht een test op afvalmateriaal.

### Handsfree gebruik (fig. B)

De machine heeft standlocaties (4) om handsfree gebruik te vergemakkelijken.

- ◆ Plaats de machine met het mondstuk naar boven op een oppervlak waarop het niet kan omkantelen.
- ◆ Zet het snoer vast om te voorkomen dat de machine uit de standpositie wordt getrokken.

**Waarschuwing!** Richt de machine altijd van u en andere personen af. Raak het mondstuk niet aan. Zorg ervoor dat er geen materiaal in het mondstuk valt.

### Strippen van verf

- ◆ Richt de hete lucht op het werkgebied om de verf op te warmen.
- ◆ Verbrand de verf niet. Houd het mondstuk ten minste 25 mm van het oppervlak.
- ◆ Wanneer de verf zacht wordt, verwijdert u de verf met behulp van een schraper. Schraap de zachtgeworden verf onmiddellijk af of de verf zal weer hard worden.
- ◆ Schraap waar mogelijk met de houtnerf mee.
- ◆ Laat verf en afval niet op de schraper ophopen.
- ◆ Schraap bij het werken vanuit een verticale positie naar beneden om te voorkomen dat de verf terug in het mondstuk valt.
- ◆ Neem bij het strippen van verf van een oppervlak dichtbij glas de noodzakelijke maatregelen om het glas tegen de warmte te beschermen.
- ◆ **Waarschuwing!** Probeer geen verf te strippen van ramen met metalen kozijnen.
- ◆ Gooi alle verfafval op een veilige en verantwoorde manier weg en zorg ervoor dat u het werkgebied na gebruik goed schoon achterlaat.

### Afkoelen

Het mondstuk van de machine wordt tijdens gebruik erg heet. Laat de machine na het uitschakelen voor ten minste 30 minuten afkoelen.

- ◆ Plaats de machine met het mondstuk naar boven op een oppervlak waarop het niet kan omkantelen.
- ◆ Om de afkoeltijd te verminderen, laat u de machine voor het uitschakelen een paar minuten op een lage temperatuurinstelling draaien.

## Onderhoud

De machine is ontworpen om gedurende langere periode te functioneren met een minimum aan onderhoud. Voortdurend tevreden gebruik is afhankelijk van correct onderhoud en regelmatig schoonmaken.

- ◆ Reinig de ventilatieopeningen regelmatig met een schone, droge borstel.
- ◆ Gebruik alleen zachte zeep en een vochtige doek om het apparaat te reinigen. Zorg ervoor dat er geen vloeistof in de machine kan komen en dompel geen enkel onderdeel van de machine ooit onder in vloeistof.

## Milieu



Gescheiden inzameling. Dit product mag niet met het gewone huishoudelijke afval worden weggegooid.

Wanneer uw oude Black & Deckerproduct aan vervanging toe is of het u niet langer van dienst kan zijn, gooi het dan niet bij het huishoudelijk afval. Zorg ervoor dat het product gescheiden kan worden ingezameld.



Door gebruikte producten en verpakkingen gescheiden in te zamelen, worden de materialen gerecycled en opnieuw gebruikt. Hergebruik van gerecyclede materialen voorkomt milieuvuiling en vermindert de vraag naar grondstoffen.

Inzamelpunten voor gescheiden inzameling van elektrische huishoudproducten bij gemeentelijke vuilnisbergen of bij de verkoper waar u een nieuw product koopt, kunnen aan plaatselijke voorschriften gebonden zijn.

Black & Decker biedt de mogelijkheid tot inzamelen en recyclen van afgedankte Black & Decker producten. Om gebruik van deze service te maken, dient u het product aan een van onze servicecentra te sturen, die voor ons de inzameling verzorgen.

U kunt het adres van het dichtstbijzijnde servicecentrum opvragen via de adressen op de achterzijde van deze handleiding. U kunt ook een lijst van onze servicecentra en meer informatie m.b.t. onze klantenservice vinden op het volgende Internet-adres: [www.2helpU.com](http://www.2helpU.com) of het volgende Internet-adres: **[www.2helpU.com](http://www.2helpU.com)**

### Technische gegevens

		KX1800	KX2000
Spanning	V <sub>AC</sub>	230	230
Constructie		Klasse I	Klasse I
Opgenomen vermogen	W	1.800	2.000
Temperatuurbereik	°C	50 - 600	50 - 600
Gewicht	kg	0,85	0,85

Meld u aan op onze website [www.blackanddecker.nl](http://www.blackanddecker.nl) om te worden geïnformeerd over nieuwe producten en speciale aanbiedingen. Verdere informatie over het merk Black & Decker en onze producten vindt u op [www.blackanddecker.nl](http://www.blackanddecker.nl)

### EG-conformiteitsverklaring

KX1800 TYPE 2/KX2000 TYPE 2

Black & Decker verklaart dat deze producten in overeenstemming zijn met:

98/37/EEG, 89/336/EEG, 73/23/EEG, EN 50144, EN 55014, EN 60335, EN 61000

L<sub>PA</sub> (geluidsdruk) 75 dB(A), gewogen kwadratische gemiddelde waarde van de versnelling < 2,5 m/s<sup>2</sup>



Kevin Hewitt  
 Director of Consumer Engineering  
 Spennymoor, County Durham DL16 6JG,  
 Verenigd Koninkrijk  
 1-10-2005

### Garantie

Black & Decker heeft vertrouwen in zijn producten en biedt een uitstekende garantie. Deze garantiebepalingen vormen een aanvulling op uw wettelijke rechten en beperken deze niet. De garantie geldt in de lidstaten van de Europese Unie en de Europese Vrijhandelsassociatie.

Mocht uw Black & Decker product binnen 24 maanden na datum van aankoop defect raken tengevolge van materiaal- of constructiefouten, dan garanderen wij de kosteloze vervanging van defecte onderdelen, de reparatie van het product of de vervanging van het product, tenzij:

- ◆ Het product is gebruikt voor handelsdoeleinden, professionele toepassingen of verhuurdoeleinden;
- ◆ Het product onoordeelkundig is gebruikt;
- ◆ Het product is beschadigd door invloeden van buitenaf of door een ongeval;
- ◆ Reparaties zijn uitgevoerd door anderen dan onze servicecentra of Black & Decker personeel.

Om een beroep op de garantie te doen, dient u een aankoopbewijs te overhandigen aan de verkoper of een van onze servicecentra. U kunt het adres van het dichtstbijzijnde servicecentrum opvragen via de adressen op de achterzijde van deze handleiding. U kunt ook een lijst van onze servicecentra en meer informatie m.b.t. onze klantenservice vinden op het volgende Internet-adres:

[www.2helpU.com](http://www.2helpU.com)

## Finalidad

Esta herramienta ha sido diseñada para diversas aplicaciones térmicas (p. ej. decapado de pintura). Esta herramienta está pensada únicamente para uso doméstico.

## Normas de seguridad generales

**¡Atención!** Lea íntegramente estas instrucciones. En caso de no atenerse a las instrucciones de seguridad siguientes, ello puede dar lugar a una descarga eléctrica, incendio o lesión grave. El término "herramienta eléctrica" empleado en las advertencias indicadas a continuación se refiere a la herramienta eléctrica con alimentación de red (con cable) o alimentada por batería (sin cable).

GUARDE ESTAS INSTRUCCIONES EN UN LUGAR SEGURO.

### 1. Área de trabajo

- Mantenga limpia y bien iluminada el área de trabajo.** El desorden y una iluminación deficiente en las áreas de trabajo pueden provocar accidentes.
- No utilice la herramienta eléctrica en un entorno con peligro de explosión, en el que se encuentren combustibles líquidos, gases o material en polvo.** Las herramientas eléctricas producen chispas que pueden llegar a inflamar los materiales en polvo o vapores.
- Mantenga alejados a los niños y otras personas del área de trabajo al emplear la herramienta eléctrica.** Una distracción le puede hacer perder el control sobre la herramienta.

### 2. Seguridad eléctrica

- El enchufe de la herramienta eléctrica debe corresponder a la toma de corriente utilizada. No es admisible modificar el enchufe en forma alguna. No emplee adaptadores en herramientas eléctricas dotadas con una toma de tierra.** Los enchufes sin modificar adecuados a las respectivas tomas de corriente reducen el riesgo de una descarga eléctrica.
- Evite que su cuerpo toque partes conectadas a tierra como tuberías, radiadores, cocinas y refrigeradores.** El riesgo a quedar expuesto a una sacudida eléctrica es mayor si su cuerpo tiene contacto con tierra.
- No exponga las herramientas eléctricas a la lluvia y evite que penetren líquidos en su interior.** Existe el peligro de recibir una descarga eléctrica si penetran ciertos líquidos en la herramienta eléctrica.
- Cuide el cable de alimentación. No utilice el cable de red para transportar o colgar la herramienta eléctrica, ni tire de él para sacar el enchufe de la toma de corriente. Mantenga el cable de red alejado del calor, aceite, bordes afilados o piezas móviles.** Los cables de red dañados o enredados pueden provocar una descarga eléctrica.

- Al trabajar con la herramienta eléctrica en la intemperie utilice solamente cables de prolongación homologados para su uso en exteriores.** La utilización de un cable de prolongación adecuado para su uso en exteriores reduce el riesgo de una descarga eléctrica.

### 3. Seguridad personal

- Esté atento a lo que hace y emplee la herramienta eléctrica con prudencia. No utilice la herramienta eléctrica si estuviese cansado, ni tampoco después de haber consumido alcohol, drogas o medicamentos.** El no estar atento durante el uso de una herramienta eléctrica puede provocar serias lesiones.
  - Utilice un equipo de protección y en todo caso unas gafas de protección.** El riesgo a lesionarse se reduce considerablemente si, dependiendo del tipo y la aplicación de la herramienta eléctrica empleada, se utiliza un equipo de protección adecuado como una mascarilla antipolvo, zapatos de seguridad con suela antideslizante, casco, o protectores auditivos.
  - Evite una puesta en marcha accidental de la herramienta. Compruebe que el interruptor esté en la posición de apagado antes de enchufar la herramienta.** Transportar la herramienta eléctrica con el dedo sobre el interruptor o enchufarla con el interruptor encendido puede provocar accidentes.
  - Retire las herramientas de ajuste o llaves fijas antes de conectar la herramienta eléctrica.** Una herramienta o llave colocada en una pieza giratoria de la herramienta eléctrica puede producir lesiones al ponerse a funcionar.
  - Sea precavido. Mantenga un apoyo firme sobre el suelo y conserve el equilibrio en todo momento.** Ello le permitirá controlar mejor la herramienta eléctrica en caso de presentarse una situación inesperada.
  - Lleve puesta una vestimenta de trabajo adecuada. No lleve vestidos anchos ni joyas. Mantenga su pelo, vestimenta y guantes alejados de las piezas móviles.** La vestimenta suelta, las joyas y el pelo largo se pueden enganchar con las piezas en movimiento.
  - Siempre que sea posible utilizar unos equipos de aspiración o captación de polvo, asegúrese que éstos estén montados y que sean utilizados correctamente.** El empleo de estos equipos reduce los riesgos derivados del polvo.
- ### 4. Uso y cuidado de herramientas eléctricas
- No sobrecargue la herramienta eléctrica. Use la herramienta eléctrica prevista para el trabajo a realizar.** Con la herramienta eléctrica adecuada podrá trabajar mejor y más seguro dentro del margen de potencia indicado.

- b. **No utilice herramientas eléctricas con un interruptor defectuoso.** Las herramientas eléctricas que no se puedan conectar o desconectar son peligrosas y deben hacerse reparar.
  - c. **Saque el enchufe de la red antes de realizar un ajuste en la herramienta eléctrica, cambiar de accesorio o al guardar la herramienta.** Esta medida preventiva reduce el riesgo de conectar accidentalmente la herramienta eléctrica.
  - d. **Guarde las herramientas eléctricas fuera del alcance de los niños y de las personas que no estén familiarizadas con su uso.** Las herramientas eléctricas utilizadas por personas inexpertas son peligrosas.
  - e. **Cuide sus herramientas eléctricas con esmero. Controle si funcionan correctamente, sin atascarse, las partes móviles de la herramienta eléctrica, y si existen partes rotas o deterioradas que pudieran afectar al funcionamiento de la herramienta. Si la herramienta eléctrica estuviese defectuosa haga que la reparen antes de volver a utilizarla.** Muchos de los accidentes se deben a herramientas eléctricas con un mantenimiento deficiente.
  - f. **Mantenga las herramientas de corte limpias y afiladas.** Las herramientas de corte mantenidas correctamente se dejan guiar y controlar mejor.
  - g. **Utilice herramientas eléctricas, accesorios, útiles de herramienta, etc. de acuerdo con estas instrucciones y en la manera indicada específicamente para esta herramienta eléctrica. Considere en ello las condiciones de trabajo y la tarea a realizar.** El uso de herramientas eléctricas para trabajos diferentes de aquellos para los que han sido concebidas puede resultar peligroso.
- 5. Servicio técnico**
- a. **Haga reparar su herramienta eléctrica sólo por personal técnico autorizado que emplee exclusivamente piezas de repuesto originales.** Solamente así se garantiza la seguridad de la herramienta eléctrica.

## Seguridad eléctrica



Se requiere conexión a tierra. Compruebe siempre que la tensión de la red corresponda con el valor indicado en la placa de datos de la herramienta.

## Caídas de tensión

Las corrientes de irrupción provocan breves caídas de tensión. Bajo condiciones desfavorables de suministro eléctrico, otros equipos podrían verse afectados.

Por ejemplo, la iluminación artificial mostrará una caída temporal de magnitud cuando la máquina se conecte. Si la impedancia del sistema de suministro eléctrico es inferior a  $0,19 \Omega$ , es poco probable que se produzcan alteraciones.

- ◆ Este aparato no ha sido concebido para ser utilizado por jóvenes ni personas discapacitadas sin supervisión. Debe vigilarse a los niños para asegurarse de que no jueguen con el aparato.
- ◆ Si el cable eléctrico está estropeado, debe ser sustituido por el fabricante o un servicio técnico autorizado de Black & Decker con el fin de evitar accidentes.

## Cables alargadores y producto de clase 1

- ◆ Debe utilizarse un cable trifilar ya que la herramienta tiene toma de tierra y una estructura de clase 1.
- ◆ Pueden utilizarse hasta 30m sin pérdida de potencia.

## Instrucciones suplementarias de seguridad para las pistolas de aire caliente

- ◆ **¡Atención!** Esta herramienta no ha sido concebida para ser utilizada por jóvenes ni personas enfermas. Debe vigilarse a los niños para asegurarse de que no toquen la herramienta.
- ◆ **¡Atención!** Coloque siempre la herramienta en la posición de base cuando no la esté utilizando.
- ◆ Siempre debe manejar la herramienta con extremo cuidado y atención ya que el uso incorrecto de la herramienta podría provocar un incendio.
- ◆ No obstruya las ranuras de toma de aire ni la boquilla de salida, ya que esto podría originar un recalentamiento excesivo y la consiguiente avería de la herramienta.
- ◆ Tenga cuidado cuando use el aparato en sitios donde haya materiales combustibles.
- ◆ No dirija el chorro de aire caliente hacia otras personas o animales.
- ◆ No toque la boquilla ya que se calienta mucho durante el funcionamiento y seguirá caliente unos 30 minutos más después de terminar.
- ◆ No permita que la boquilla entre en contacto con ningún otro objeto durante ni inmediatamente después de su uso.
- ◆ No deje caer nada en el interior de la boquilla ya que podría recibir una descarga eléctrica.
- ◆ No mire por la boquilla mientras la herramienta esté conectada.
- ◆ ¡No utilice la herramienta como un secador! La temperatura del aire es mucho mayor que en un secador.
- ◆ Asegúrese de que haya una ventilación adecuada durante el uso ya que podrían generarse gases tóxicos.
- ◆ No use la herramienta en un ambiente donde haya humedad.
- ◆ Tenga en cuenta que el calor puede conducirse a materiales combustibles que están fuera de la vista.

Puede haber materiales inflamables en espacios detrás de tableros, techos y suelos o en cavidades en las paredes de casas construidas con estructuras de madera.

Compruébelo antes de comenzar a trabajar.

- ◆ No la utilice en una atmósfera explosiva; es decir, no utilice la herramienta donde pueda haber presentes gases, líquidos o materiales inflamables.
- ◆ Al decapar, asegúrese de que el área de trabajo quede cerrada. Utilice una mascarilla contra el polvo diseñada específicamente para proteger contra el polvo y las emanaciones de pinturas con plomo, y asegúrese de que las demás personas que se encuentren dentro de, o que penetren en el área de trabajo también estén protegidas.
- ◆ No quemé la pintura ya que esto supone un riesgo de incendio.
- ◆ No permita que se pegue pintura a la boquilla ya que podría incendiarse poco después.
- ◆ No aplique calor en el mismo punto durante un período prolongado de tiempo.
- ◆ No pierda de vista la herramienta durante el uso.
- ◆ No deje desatendido el aparato cuando esté conectado o cuando se esté enfriando.
- ◆ Desconecte la herramienta y deje que se enfríe antes de montar los accesorios.
- ◆ Deje que la herramienta se enfríe totalmente antes de guardarla.

### Decapado de pintura con base de plomo

Debe tenerse un cuidado extremo al decapar pintura. Las virutas, los residuos y los vapores de la pintura pueden contener plomo, que es una sustancia venenosa. Los edificios construidos antes de 1960 podrán haber sido pintados con pintura que contenía plomo. Esta pintura puede estar cubierta con capas adicionales de pintura. Un simple contacto de la mano o la boca con esas superficies podría ocasionar la ingestión de plomo. La exposición al plomo, incluso a bajos niveles, puede ocasionar lesiones irreversibles en el cerebro y el sistema nervioso. El peligro mayor de envenenamiento por plomo es para niños y mujeres embarazadas.

Antes de comenzar el trabajo, es importante determinar si la pintura que se va a decapar contiene plomo. Esto se puede realizar empleando un kit de prueba o a través de un decorador profesional. No fume, coma o beba en una zona de trabajo que pueda estar contaminada con plomo. Las pinturas con base de plomo sólo deben ser retiradas por un profesional y no deben retirarse utilizando una pistola de aire caliente.

### Características

1. Conmutador ON/OFF (encendido/apagado)
2. Mando de control térmico
3. Boquilla

### Montaje

**¡Atención!** Antes de proceder al montaje, compruebe que la herramienta está apagada y desenchufada.

### Colocación de un accesorio

Puede adquirir una gama seleccionada de accesorios en su distribuidor local.

- |  |   |
|--|---|
| - Boquilla cónica                      | Concentra el chorro de aire en una zona más pequeña |
| - Boquilla en forma de cola de pescado | Extiende el aire en una zona más amplia             |
| - Boquilla reflectante de cuchara      | Para soldadura de tuberías                          |
| - Protector de cristal                 | Para la protección de cristal durante el decapado   |
| - Rascador                             | Para la retirada de pintura decapada y barniz       |
- ◆ Coloque la pieza de conexión del accesorio en la boquilla (3).

**¡Atención!** Asegúrese de que la herramienta esté desconectada y se haya enfriado antes de colocar un accesorio.

### Uso

**¡Atención!** Deje que la herramienta funcione a su ritmo. No lo sobrecargue.

### Ajuste de la temperatura (fig. A)

- ◆ Para aumentar el ajuste de temperatura, gire el mando de control térmico (2) en la dirección de las agujas del reloj.
- ◆ Para disminuir el ajuste de temperatura, gire el mando de control térmico en la dirección contraria a las agujas del reloj.

### Encendido y apagado

- ◆ Para poner en marcha la herramienta, coloque el conmutador On/Off (1) en la posición I.
- ◆ Para desconectar la herramienta, coloque el conmutador On/Off en la posición O.

### Uso de la herramienta

- ◆ Deje que la herramienta se caliente unos segundos antes de utilizarla.
- ◆ En los primeros usos puede que se produzcan emisiones de humo por la boquilla. Esto es normal y pronto disminuirán dichas emisiones.
- ◆ Utilice un ajuste de temperatura bajo para secar pintura y barniz, retirar adhesivos, contraer tubos aislantes y descongelar tuberías congeladas.

- ◆ Utilice un ajuste de temperatura medio para soldar plásticos, doblar tuberías plásticas y aflojar tuercas y tornillos apretados.
- ◆ Utilice un ajuste de temperatura alto para eliminar pinturas y lacas y para soldar empalmes de fontanería.
- ◆ Si no está seguro sobre la idoneidad de uso de la herramienta con un material en particular, comience a trabajar a temperatura baja y realice una prueba en un pedazo de material de chatarra.

## Uso manos libres (fig. B)

La herramienta tiene posiciones para apoyo en soporte (4) y facilitar su uso con manos libres.

- ◆ Coloque la herramienta con la boquilla hacia arriba sobre una superficie donde no pueda volcarse.
- ◆ Fije el cable para impedir que tire de la herramienta fuera del soporte.

**¡Atención!** Dirija siempre la herramienta lejos de sí mismo y de otras personas. No toque la boquilla. Tenga cuidado de que no caiga ningún material dentro de la boquilla.

## Decapado de pintura

- ◆ Dirija el chorro de aire caliente a la zona de trabajo para calentar la pintura.
- ◆ No queme la pintura. Mantenga la boquilla al menos a 25 mm de la superficie.
- ◆ Cuando se reblandezca la pintura, levántela utilizando un rascador. Rasque la pintura reblandecida inmediatamente o se volverá a endurecer.
- ◆ Rasque en la dirección de la veta de la madera siempre que sea posible.
- ◆ No deje que se acumule pintura ni suciedad en el rascador.
- ◆ Al rascar desde una posición vertical, rasque hacia abajo para evitar que la pintura caiga en el interior de la boquilla.
- ◆ La decapar pintura de una superficie cercana a un cristal, tome las medidas necesarias para proteger éste del calor.
- ◆ **¡Atención!** No intente decapar pintura de ventanas con cerco metálico.
- ◆ Deseche todos los residuos de pintura de forma segura y asegúrese de que la zona de trabajo quede completamente limpia después de terminar su labor.

## Enfriamiento de la herramienta

Durante el uso, la boquilla de la herramienta alcanza temperaturas extremadamente elevadas. Tras desconectar la herramienta, deje que se enfríe durante al menos 30 minutos.

- ◆ Coloque la herramienta con la boquilla hacia arriba sobre una superficie donde no pueda volcarse.
- ◆ Para acelerar el tiempo de enfriamiento, haga funcionar la herramienta a su temperatura mínima durante unos minutos antes de desconectarla.

## Mantenimiento

La herramienta ha sido diseñada para que funcione durante un largo período de tiempo con un mantenimiento mínimo. El funcionamiento satisfactorio continuado depende de un cuidado apropiado y una limpieza periódica de la herramienta.

- ◆ Limpie con regularidad las ranuras de ventilación con un cepillo limpio y seco.
- ◆ Para limpiar la herramienta, utilice sólo jabón suave y un paño húmedo. No permita nunca la entrada de líquido en la herramienta y no sumerja nunca ninguna parte de la herramienta en líquido.

## Protección del medio ambiente



Separación de desechos. Este producto no debe desecharse con la basura doméstica normal.

Si llega el momento de reemplazar su producto Black & Decker o éste ha dejado de tener utilidad para usted, no lo deseche con la basura doméstica normal. Asegúrese de que este producto se deseche por separado.



La separación de desechos de productos usados y embalajes permite que los materiales puedan reciclarse y reutilizarse. La reutilización de materiales reciclados ayuda a evitar la contaminación medioambiental y reduce la demanda de materias primas.

La normativa local puede prever la separación de desechos de productos eléctricos de uso doméstico en centros municipales de recogida de desechos o a través del distribuidor cuando adquiere un nuevo producto.

Black & Decker proporciona facilidades para la recogida y el reciclado de los productos Black & Decker que hayan llegado al final de su vida útil. Para hacer uso de este servicio, devuelva su producto a cualquier servicio técnico autorizado, que lo recogerá en nuestro nombre.

Pueden consultar la dirección de su servicio técnico más cercano poniéndose en contacto con la oficina local de Black & Decker en la dirección que se indica en este manual. Como alternativa, puede consultar en Internet la lista de servicios técnicos autorizados e información completa de nuestros servicios de posventa y contactos en la siguiente dirección:

[www.2helpU.com](http://www.2helpU.com)

**Características técnicas**

		<b>KX1800</b>	<b>KX2000</b>
Voltaje	V <sub>AC</sub>	230	230
Estructura		Clase I	Clase I
Potencia absorbida	W	1.800	2.000
Intervalo de temperatura	°C	50 - 600	50 - 600
Peso	kg	0,85	0,85

**Declaración de conformidad CE**

KX1800 TYPE 2/KX2000 TYPE 2

Black & Decker declara que estos productos cumplen las normas siguientes:

98/37/CEE, 89/336/CEE, 73/23/CEE, EN 50144, EN 55014, EN 60335, EN 61000

L<sub>pa</sub> (presión acústica) 75 dB(A),  
vibraciones soportadas en mano/brazo < 2,5 m/s<sup>2</sup>



Kevin Hewitt  
Director de Ingeniería del Consumidor  
Spennymoor, County Durham DL16 6JG,  
Reino Unido  
1-10-2005

Para reclamar en garantía, será necesario que presente la prueba de compra al vendedor o al servicio técnico de reparaciones autorizado. Pueden consultar la dirección de su servicio técnico más cercano poniéndose en contacto con la oficina local de Black & Decker en la dirección que se indica en este manual. Como alternativa, se puede consultar en Internet, en la dirección siguiente, la lista de servicios técnicos autorizados e información completa de nuestros servicios de postventa y contactos: **www.2helpU.com**

Visite nuestro sitio web **www.blackanddecker.com** para registrar su nuevo producto Black & Decker y mantenerse al día sobre nuestros productos y ofertas especiales. Encontrará información adicional sobre la marca Black & Decker y nuestra gama de productos en **www.blackanddecker.com**

**Garantía**

Black & Decker confía plenamente en la calidad de sus productos y ofrece una garantía extraordinaria. Esta declaración de garantía es una añadido, y en ningún caso un perjuicio para sus derechos estatutarios. La garantía es válida dentro de los territorios de los Estados Miembros de la Unión Europea y de los de la Zona Europea de Libre Comercio.

Si un producto Black & Decker resultará defectuoso debido a materiales o mano de obra defectuosos o a la falta de conformidad, Black & Decker garantiza, dentro de los 24 meses de la fecha de compra, la sustitución de las piezas defectuosas, la reparación de los productos sujetos a un desgaste y rotura razonables o la sustitución de tales productos para garantizar al cliente el mínimo de inconvenientes, a menos que:

- ◆ El producto haya sido utilizado con propósitos comerciales, profesionales o de alquiler;
- ◆ El producto haya sido sometido a un uso inadecuado o negligente;
- ◆ El producto haya sufrido daños causados por objetos o sustancias extrañas o accidentes;
- ◆ Se hayan realizado reparaciones por parte de personas que no sean los servicios de reparación autorizados o personal de servicios de Black & Decker;

## Utilização

Esta ferramenta foi concebida para várias aplicações de aquecimento (por ex., remoção de tintas). Esta ferramenta destina-se apenas ao doméstico.

## Regras gerais de segurança

**Advertência!** Leia todas as instruções. O não cumprimento das instruções a seguir podem causar choque eléctrico, incêndio e/ou graves lesões. O termo “ferramenta eléctrica” utilizado a seguir refere-se a ferramentas eléctricas com ligação à corrente eléctrica (com cabo) ou operadas a bateria (sem fios). **GUARDE BEM ESTAS INSTRUÇÕES.**

### 1. Área de trabalho

- a. **Mantenha a sua área de trabalho limpa e arrumada.** Desordem e áreas de trabalho com fraca iluminação podem causar acidentes.
- b. **Não trabalhar com a ferramenta eléctrica em áreas com risco de explosão, nas quais se encontrem líquidos, gases ou pós inflamáveis.** Ferramentas eléctricas produzem faíscas que podem provocar a ignição de pó e vapores.
- c. **Mantenha crianças e outras pessoas afastadas da ferramenta eléctrica durante o trabalho com a ferramenta.** Distracções podem causar a falta de controlo sobre a ferramenta.

### 2. Segurança eléctrica

- a. **A ficha da ferramenta eléctrica deve caber na tomada. A ficha não deve ser modificada de modo algum. Não utilize quaisquer fichas de adaptação junto com ferramentas eléctricas ligadas à terra.** Fichas sem modificações e tomadas adequadas reduzem o risco de choques eléctricos.
- b. **Evite que o corpo entre em contacto com superfícies ligadas à terra, como por exemplo tubos, radiadores, fogões e frigoríficos.** Há um risco elevado de choques eléctricos, caso o corpo seja ligado à terra.
- c. **A ferramenta eléctrica não deve ser exposta à chuva nem humidade.** A penetração de água na ferramenta eléctrica aumenta o risco de choques eléctricos.
- d. **Manuseie o fio com cuidado. O cabo da ferramenta não deve ser utilizado para o transporte, para pendurar a ferramenta, nem para puxar a ficha da tomada. Mantenha o cabo afastado de calor, óleo, cantos afiados ou partes em movimento da ferramenta.** Cabos danificados ou torcidos aumentam o risco de choques eléctricos.
- e. **Ao trabalhar com a ferramenta eléctrica ao ar livre, use um cabo de extensão apropriado para áreas externas.** O uso de um cabo apropriado para áreas externas reduz o risco de choques eléctricos.

### 3. Segurança pessoal

- a. **Esteja alerta, observe o que está a fazer, e tenha prudência ao trabalhar com a ferramenta eléctrica. Não use a ferramenta eléctrica se estiver cansado ou sob a influência de drogas, álcool ou medicamentos.** Um momento de falta de atenção durante a operação da ferramenta eléctrica pode causar graves lesões.
- b. **Usar um equipamento pessoal de protecção. Utilizar sempre óculos de protecção.** Equipamento de segurança, como por exemplo, máscara de protecção contra pó, sapatos de segurança anti-derrapantes, capacete de segurança ou protecção auricular, de acordo com o tipo e aplicação da ferramenta eléctrica, reduz o risco de lesões.
- c. **Evite um accionamento involuntário. Assegure-se de que o interruptor está na posição de desligado antes de o ligar.** O transporte de ferramentas eléctricas com o dedo no interruptor ou a ligação das mesmas que tenham o interruptor ligado provoca acidentes.
- d. **Remover chaves de ajustes ou chaves de fenda, antes de ligar a ferramenta eléctrica.** Uma chave de fenda ou chave de ajuste que se encontre numa parte móvel da ferramenta, pode levar a lesões.
- e. **Não se sobrestime. Mantenha-se sempre bem posicionado e em equilíbrio.** Desta forma poderá será mais fácil controlar a ferramenta em situações inesperadas.
- f. **Use vestuário apropriado. Não use roupa larga ou jóias. Mantenha o cabelo, roupa e luvas afastadas de partes em movimento.** Roupas largas, jóias ou cabelos longos podem ser agarradas por partes em movimento.
- g. **Se for prevista a montagem de dispositivos de aspiração de pó e de dispositivos de recolha, assegure-se de que estão ligados e que são utilizados de forma correcta.** A utilização destes dispositivos reduz os riscos provocados por pó.

### 4. Utilização e manutenção da ferramenta eléctrica

- a. **Não sobrecarregue a ferramenta eléctrica. Use para o seu trabalho a ferramenta eléctrica correcta.** A ferramenta correcta realizará o trabalho de forma melhor e mais segura dentro da potência indicada.
- b. **Não utilize a ferramenta eléctrica se o interruptor não puder ser ligado nem desligado.** Qualquer ferramenta eléctrica que não possa ser controlada através do interruptor de ligar-desligar é perigosa e deve ser reparada.
- c. **Desligue a ficha da tomada antes de efectuar ajustes na ferramenta, substituir acessórios ou armazenar a ferramenta eléctrica.** Esta medida de segurança evita que a ferramenta eléctrica seja ligada acidentalmente.



- d. **Mantenha as ferramentas eléctricas que não estiverem a ser utilizadas fora do alcance de crianças. Não permita que a ferramenta seja utilizada por pessoas não familiarizadas com a mesma ou que não tenham lido estas instruções.**  
As ferramentas eléctricas são perigosas se utilizadas por pessoas não qualificadas.
- e. **Trate a sua ferramenta eléctrica com cuidado. Verifique se as partes móveis da ferramenta funcionam perfeitamente e não emperram, se há peças quebradas ou danificadas, que possam influenciar o funcionamento da ferramenta. As peças danificadas devem ser reparadas antes da utilização da ferramenta.** Muitos acidentes têm como causa uma manutenção insuficiente das ferramentas eléctricas.
- f. **Mantenha as ferramentas de corte sempre afiadas e limpas.** Ferramentas de cortes devidamente tratadas, com cantos afiados travam com menos frequência e podem ser controladas com maior facilidade.
- g. **Use a ferramenta eléctrica, os acessórios e as brocas da ferramenta etc., de acordo com estas instruções e da maneira determinada para este tipo especial de ferramenta eléctrica. Considere também as condições de trabalho e o trabalho a ser efectuado.** A utilização da ferramenta eléctrica para outros fins que os previstos pode resultar em situações perigosas.

## 5. Reparação

- a. **A sua ferramenta eléctrica só deve ser reparada por pessoal qualificado e só devem ser colocadas peças sobressalentes originais.** Desta forma é assegurada a segurança da ferramenta eléctrica.

## Segurança eléctrica



Este produto deve ser ligado a uma tomada com ligação à terra. Certifique-se sempre de que o fornecimento de energia corresponde à tensão indicada na placa de especificações.

### Quedas de tensão

A afluência súbita de corrente provoca quedas de tensão de curta duração. Em condições de fornecimento de energia não favorável, existem outros equipamentos que poderão ser afectados. Por exemplo, a iluminação artificial terá uma queda temporária de intensidade quando a máquina é ligada. Se a impedância do sistema do fornecimento de energia for inferior a  $0,19 \Omega$ , não é provável que ocorram perturbações.

- ◆ Este aparelho não se destina a ser utilizado por jovens nem por pessoas enfermas sem supervisão. As crianças deverão ser vigiadas para que não mexam no aparelho.
- ◆ Se o cabo de alimentação estiver danificado, deverá ser substituído pelo fabricante ou por um Centro de Assistência autorizado pela Black & Decker, de modo a evitar perigos.

### Cabos de extensão e produto da classe 1

- ◆ É necessário utilizar um cabo de 3 núcleos uma vez que a ferramenta está ligada à terra e é de construção da classe 1.
- ◆ Pode utilizar-se um até 30 m sem perda de potência.

### Instruções adicionais de segurança para pistolas de ar quente

- ◆ **Advertência!** Esta ferramenta não se destina a ser utilizada por jovens ou pessoas debilitadas. As crianças deverão ser vigiadas para assegurar que não tocam na ferramenta.
- ◆ **Advertência!** Coloque sempre a ferramenta na posição vertical quando não estiver a ser utilizada.
- ◆ Pode ocorrer um incêndio se a ferramenta não for manuseada cuidadosamente, pelo que deve utilizá-la sempre com cuidado e atenção.
- ◆ Não obstrua as entradas do ar ou a saída do bocal uma vez que pode causar um aquecimento excessivo danificando a ferramenta.
- ◆ Tenha em atenção sempre que utilizar o aparelho em locais onde existem materiais combustíveis.
- ◆ Não aponte o fluxo de ar quente para outras pessoas ou animais.
- ◆ Não toque no bocal uma vez que este fica quente durante e até 30 minutos após a utilização.
- ◆ Não coloque o bocal contra qualquer objecto durante ou imediatamente após a utilização da ferramenta.
- ◆ Não coloque nada dentro do bocal pois pode causar choques eléctricos.
- ◆ Não olhe para dentro do bocal enquanto a ferramenta estiver ligada.
- ◆ Não utilize a ferramenta como um secador de cabelo! A temperatura do ar é muito superior à de um secador de cabelo.
- ◆ Assegure uma ventilação adequada durante a utilização pois podem produzir-se fumos tóxicos.
- ◆ Não utilize a ferramenta em ambientes húmidos.
- ◆ Tenha atenção que o calor pode atingir materiais combustíveis situados fora do campo de visão. Os espaços por trás de paredes, tectos e pisos e cavidades na parede em casas construídas em madeira podem conter materiais inflamáveis. Verifique antes de iniciar o trabalho.

- ◆ Não utilize na presença de um ambiente explosivo, ou seja, não utilize a ferramenta na possibilidade da presença de gases, líquidos ou materiais inflamáveis.
- ◆ Quando remover tinta, assegure-se de que a área de trabalho está fechada. Utilize uma máscara especificamente projectada para proteger contra as poeiras e vapores de pintura com chumbo e assegure-se de que as pessoas que estejam na área de trabalho ou que entrem na mesma também estão protegidas.
- ◆ Não queime a tinta uma vez que pode causar risco de incêndio.
- ◆ Não deixe acumular tinta no bocal uma vez que esta pode incendiar em qualquer momento.
- ◆ Não aplique calor no mesmo local durante um longo período de tempo.
- ◆ Não deixe a ferramenta sem vigilância durante o uso.
- ◆ Não perca de vista o aparelho enquanto estiver ligado ou a arrefecer.
- ◆ Desligue a ferramenta e deixe-a arrefecer antes de encaixar quaisquer acessórios.
- ◆ Deixe que a ferramenta esfrie antes de guardá-la.

## Remover tinta à base de chumbo

É necessário ter muito cuidado ao remover tinta. As cascas, resíduos e vapores de tinta podem conter chumbo, que é venenoso. Qualquer edifício anterior a 1960 poderá ter sido pintado com tinta à base de chumbo. Esta tinta pode estar coberta com camadas adicionais de tinta. Uma vez depositado em superfícies, o contacto da mão com a boca pode levar à ingestão de chumbo.

As exposições, mesmo que mínimas, ao chumbo podem causar danos irreversíveis no cérebro e no sistema nervoso. O maior perigo de envenenamento de chumbo reflecte-se em crianças e grávidas.

Antes de iniciar o trabalho, é importante determinar se a tinta a ser removida contém chumbo. Isto pode ser feito utilizando um kit de teste ou por um profissional. Não fume, coma ou beba numa área de trabalho que esteja ou possa estar contaminada com chumbo. As tintas à base de chumbo só podem ser removidas por um profissional e não devem ser removidas utilizando uma pistola de calor.

## Funções

1. Interruptor de ligar/desligar
2. Botão de controlo de calor
3. Bocal

## Montagem

**Advertência!** Antes da montagem, certifique-se de que a ferramenta está desligada da corrente eléctrica.

## Encaixar um acessório

No seu vendedor local pode adquirir uma gama de acessórios seleccionados.

- |                      |  |
|----------------------|--|
| - Bico cónico        | Concentra a corrente de ar numa área mais pequena    |
| - Bico rectangular   | Espalha a corrente de ar sobre uma área mais vasta   |
| - Difusor            | Para soldar tubos                                    |
| - Protector de vidro | Para a protecção de vidro durante a remoção de tinta |
| - Raspador           | Para a remoção de tinta e de verniz                  |

- ◆ Encaixe a peça de ligação do acessório sobre o bocal (3).

**Advertência!** Certifique-se de que a ferramenta está desligada e fria antes de encaixar quaisquer acessórios.

## Utilização

**Advertência!** Deixe que a ferramenta funcione à vontade. Não o sobre-carregue.

## Definir a temperatura (fig. A)

- ◆ Para aumentar a definição da temperatura, rode o botão de controlo de calor (2) no sentido dos ponteiros do relógio.
- ◆ Para reduzir a definição da temperatura, rode o botão de controlo de calor no sentido contrário ao dos ponteiros do relógio.

## Como ligar e desligar o aparelho

- ◆ Para desligar o aparelho, coloque o interruptor de ligar/desligar (1) na posição I.
- ◆ Para desligá-lo, coloque o interruptor na posição 0.

## Utilizar a ferramenta

- ◆ Deixe a ferramenta aquecer durante alguns segundos antes de utilizá-la.
- ◆ Na primeira utilização pode sair algum fumo do bocal. Isto é normal e diminuirá em pouco tempo.
- ◆ Utilize uma definição de temperatura baixa para secar tinta e verniz, remover autocolantes, recolher tubos de isolamento e descongelar tubos congelados.
- ◆ Utilize uma definição de temperatura média para soldar plásticos, dobrar tubos de plástico e afrouxar porcas e parafusos presos.
- ◆ Utilize uma definição de temperatura alta para remover tintas e lacas e soldar conexões de tubos.
- ◆ Se não tiver a certeza acerca da utilização desta ferramenta num determinado material, comece com uma definição de temperatura baixa e faça um teste num bocado de material.

### Utilização mãos-livres (fig. B)

A ferramenta tem localizações no suporte (4) para facilitar a utilização mãos-livres.

- ◆ Coloque a ferramenta com o bocal sobre uma superfície de onde não possa cair.
- ◆ Fixe o cabo para evitar puxar a ferramenta para fora do suporte.

**Advertência!** Aponte sempre a ferramenta para longe de si ou de outras pessoas. Não lhe toque. Tenha cuidado para que não caia material no bocal.

### Remoção de tinta

- ◆ Aponte o ar quente na direcção da área de trabalho para aquecer a tinta.
- ◆ Não queime a tinta. Mantenha o bocal a pelo menos 25 mm da superfície.
- ◆ Quando a tinta amolecer, retire-a utilizando uma espátula. Remova a tinta amolecida imediatamente ou esta endurecerá novamente.
- ◆ Remova com a granulação da madeira sempre que possível.
- ◆ Não deixe acumular tinta e detritos na espátula.
- ◆ Quando a remoção estiver a ser feita a partir da vertical, remova no sentido descendente para evitar que a tinta caia de volta do bocal.
- ◆ Quando remover tinta de uma superfície perto de um vidro, tome as medidas necessárias para proteger o vidro do calor.
- ◆ **Advertência!** Não tente remover tinta de janelas com caixilho metálico.
- ◆ Elimine com segurança todos os resíduos de tinta e assegure-se de que a área de trabalho fica completamente limpa após a utilização.

### Resfriamento

Durante a utilização, o bocal da ferramenta fica extremamente quente. Após desligar, deixe a ferramenta arrefecer durante pelo menos 30 minutos.

- ◆ Coloque a ferramenta com o bocal sobre uma superfície de onde não possa cair.
- ◆ Para acelerar o tempo de arrefecimento, faça funcionar a ferramenta a uma definição de temperatura mínima baixa durante alguns minutos antes de desligá-la.

### Manutenção

A ferramenta foi desenvolvida para funcionar por um longo período, com um mínimo de manutenção. O funcionamento contínuo e satisfatório depende da limpeza regular e cuidado adequado da ferramenta.

- ◆ Limpe regularmente as ranhuras de ventilação com um pincel limpo e seco.

- ◆ Para limpar a ferramenta, utilize apenas um pano embebido em sabão suave. Evite a entrada de qualquer líquido dentro da ferramenta e nunca coloque qualquer peça da ferramenta debaixo de qualquer líquido.

### Protecção do meio ambiente



Recolha em separado. Não deve deitar este produto fora juntamente com o lixo doméstico normal.

Caso chegue o momento em que um dos seus produtos Black & Decker precise de ser substituído ou decida desfazer-se do mesmo, não o deite fora juntamente com o lixo doméstico. Torne este produto disponível para uma recolha em separado.



A recolha em separado de produtos e embalagens utilizados permite que os materiais sejam reciclados e reutilizados. A reutilização de materiais reciclados ajuda a evitar a poluição ambiental e a reduzir a procura de matérias-primas.

Os regulamentos locais poderão providenciar a recolha em separado de produtos eléctricos junto das casas, em lixeiras municipais ou junto dos fornecedores ao adquirir um novo produto.

A Black & Decker oferece um serviço de recolha e reciclagem de produtos Black & Decker que tenha atingido o fim das suas vidas úteis. Para tirar proveito deste serviço, devolva seu produto a qualquer agente de reparação autorizado, que se encarregará de recolher o equipamento em nosso nome.

Para verificar a localização do agente de reparação mais próximo de si, contacte o escritório local da Black & Decker no endereço indicado neste manual. Se preferir, consulte a lista de agentes autorizados da Black & Decker e os dados completos dos nossos serviços de atendimento pós-venda na Internet no endereço: [www.2helpU.com](http://www.2helpU.com)

### Dados técnicos

		KX1800	KX2000
Voltagem	V <sub>AC</sub>	230	230
Construção		Classe I	Classe I
Potência	W	1.800	2.000
Limite de temperatura	°C	50 - 600	50 - 600
Peso	kg	0,85	0,85

## Declaração de conformidade CE

KX1800 TYPE 2/KX2000 TYPE 2

A Black & Decker declara que estes produtos estão em conformidade com a:

89/37/CEE, 89/336/CEE, 73/23/CEE, EN 50144, EN 55014, EN 60335, EN 61000

$L_{pA}$  (pressão acústica) 75 dB(A),  
vibração medida da mão/braço de  $< 2,5 \text{ m/s}^2$



Kevin Hewitt

Director de Engenharia do Consumo  
Spennymoor, County Durham DL16 6JG,  
Reino Unido  
1-10-2005

Visite o nosso website [www.blackanddecker.com](http://www.blackanddecker.com) para registar o seu novo produto Black & Decker e para se manter actualizado sobre novos produtos e ofertas especiais. Estão disponíveis mais informações sobre a Black & Decker e sobre a nossa gama de produtos em [www.blackanddecker.com](http://www.blackanddecker.com)

## Garantia

A Black & Decker confia na qualidade de seus produtos e oferece um programa de garantia excelente. Esta declaração de garantia soma-se aos seus direitos legais e não os prejudica em nenhum aspecto. A garantia será válida nos territórios dos Estados Membros da União Europeia e na Área de Livre Comércio da Europa.

Caso algum produto da Black & Decker apresente avarias devido a defeitos de material, mão-de-obra ou ausência de conformidade no prazo de 24 meses a partir da data de compra, a Black & Decker garantirá a substituição das peças defeituosas, a reparação dos produtos que foram submetidos a uso adequado e remoção ou substituição dos mesmos para assegurar o mínimo de inconvenientes ao cliente a menos que:

- ◆ O produto tenha sido utilizado para fins comerciais, profissionais ou aluguer;
- ◆ O produto tenha sido submetido a uso incorrecto ou descuido;
- ◆ O produto tenha sofrido danos causados por objectos estranhos, substâncias ou acidentes;
- ◆ Tenha um histórico de reparações efectuadas por terceiros que não sejam os agentes autorizados ou profissionais de manutenção da Black & Decker.

Para activar a garantia, será necessário enviar a prova de compra ao revendedor ou agente de reparação autorizado. Para verificar a localização do agente de reparação mais próximo de si contacte o escritório local da Black & Decker no endereço indicado neste manual.

Se preferir, consulte a lista de agentes autorizados da Black & Decker e os dados completos de nossos serviços de atendimento pós-venda na Internet no endereço:

[www.2helpU.com](http://www.2helpU.com)

## Användningsområde

Detta verktyg är avsett för olika värmeapplikationer (t.ex. ta bort färg). Verktyget är endast avsett som konsumentverktyg.

## Allmänna säkerhetsregler

**Varning!** Samtliga anvisningar ska läsas. Fel som uppstår till följd av att anvisningarna nedan inte följts kan orsaka elchock, brand och/eller allvarliga kroppsskador. Nedan använt begrepp "Elverktyg" hänför sig till nätdrivna elverktyg (med nätsladd) och till batteridrivna elverktyg (sladdlösa).  
TA VÅL VARA PÅ SÄKERHETSANVISNINGARNA.

### 1. Arbetsområde

- Håll arbetsplatsen ren och välbelyst.** Oordning på arbetsplatsen och dåligt belyst arbetsområde kan leda till olyckor.
- Använd inte elverktyget i explosionsfarlig omgivning med brännbara vätskor, gaser eller damm.** Elverktygen alstrar gnistor som kan antända dammet eller gaserna.
- Håll under arbetet med elverktyget barn och obehöriga personer på betryggande avstånd.** Om du störs av obehöriga personer kan du förlora kontrollen över elverktyget.

### 2. Elektrisk säkerhet

- Elverktygets stickpropp måste passa till vägguttaget. Stickproppen får absolut inte förändras. Använd inte adapterkontakter tillsammans med skyddsjordade elverktyg.** Oförändrade stickproppar och passande vägguttag reducerar risken för elchock.
- Undvik kroppskontakt med jordade ytor som t. ex. rör, värmelement, pisar och kylskåp.** Det finns en större risk för elchock om din kropp är jordad.
- Skydda elverktyget mot regn och väta.** Tränger vatten in i ett elverktyg ökar risken för elchock.
- Misshandla inte nätsladden. Använd inte sladden för att bära eller hänga upp elverktyget och inte heller för att dra stickproppen ur vägguttaget. Håll nätsladden på avstånd från värme, olja, skarpa kanter och rörliga maskindelar.** Skadade eller tilltrasslade sladdar ökar risken för elchock.
- Använd när du arbetar med ett elverktyg utomhus endast förlängningsladdar som är godkända för utomhusbruk.** Om en avsedd förlängningsladd för utomhusbruk används minskar risken för elchock.

### 3. Personlig säkerhet

- Var uppmärksam, se på vad du gör och använd elverktyget med förnuft. Använd inte elverktyget när du är trött eller om du är påverkad av droger, alkohol eller mediciner.** Under användning av elverktyg kan även en kort ouppmärksamhet leda till allvarliga kroppsskador.

- Använd personlig skyddsutrustning. Bär alltid skyddsglasögon.** Den personliga skyddsutrustningen som t.ex. dammfiltermask, halkfria säkerhetsskor, hjälm eller hörselskydd – med beaktande av elverktygets modell och driftsätt – reducerar risken för kroppsskada.
  - Undvik oavsiktlig igångsättning. Kontrollera att strömbrytaren står i avstängt läge innan du kopplar elverktyget till nätet.** Det kan vara mycket farligt att bära ett elverktyg med fingret på strömbrytaren eller koppla det till nätet med strömbrytaren i till-läge.
  - Ta bort alla inställningsverktyg och skruvnycklar innan du startar elverktyget.** Ett verktyg eller en nyckel i en roterande komponent kan medföra kroppsskada.
  - Sträck dig inte för långt. Se till att du alltid har säkert fotfäste och balans.** På så sätt kan du lättare kontrollera elverktyget i oväntade situationer.
  - Bär lämpliga kläder. Bär inte löst hängande kläder eller smycken. Håll hår, kläder och handskar undan från rörliga delar.** Löst hängande kläder, smycken och långt hår kan dras in av roterande delar.
  - Vid elverktyg med dammsugnings- och uppsamlingsutrustning kontrollera att anordningarna är rätt monterade och används på korrekt sätt.** Dessa anordningar reducerar riskerna i samband med damm.
- ### 4. Bruk och skötsel av elverktyg
- Överbelasta inte elverktyget. Använd rätt elverktyg för det aktuella arbetet.** Med ett lämpligt elverktyg kan du arbeta bättre och säkrare inom angivet effektområde.
  - Ett elverktyg med defekt strömbrytare får inte användas.** Ett elverktyg som inte kan kopplas till eller från är farligt och måste repareras.
  - Dra stickproppen ur vägguttaget innan inställningar utförs, tillbehörsdelar byts ut eller elverktyget ställs undan.** Denna skyddsåtgärd förhindrar oavsiktlig inkoppling av elverktyget.
  - Förvara elverktygen oåtkomliga för barn. Låt inte elverktyget användas av personer som inte är förtrogna med dess användning eller inte läst denna anvisning.** Elverktygen är farliga om de används av oerfarna personer.
  - Sköt elverktyget omsorgsfullt. Kontrollera att rörliga komponenter fungerar felfritt och inte kärvar, att komponenter inte brustit eller skadats och inget annat föreligger som kan påverka elverktygets funktioner. Låt skadade delar repareras innan elverktyget används på nytt.** Många olyckor orsakas av dåligt skötta elverktyg.
  - Håll skärverktyg skarpa och rena.** Omsorgsfullt skötta skärverktyg med skarpa eggar fastnar inte så lätt och går lättare att styra.

- g. Använd elverktyget, tillbehör, insatsverktyg osv. enligt dessa anvisningar och på sätt som föreskrivits för aktuell verktygsmodell. Ta hänsyn till arbetsvillkoren och arbetsmomenten.** Används elverktyget på icke ändamålsenligt sätt kan farliga situationer uppstå.

## 5. Service

- a. Låt elverktyget endast repareras av kvalificerad fackpersonal och med originalreservdelar.** Detta garanterar att elverktygets säkerhet bibehålls.

## Elektrisk säkerhet



Ditt verktyg måste kopplas till jordat uttag. Kontrollera alltid att nätspänningen överensstämmer med värdet på märkplåten.

## Spänningsfall

Rusningsström vid start kan orsaka kortvariga spänningsfall. Under ogynnsamma omständigheter i strömnätet kan annan utrustning påverkas. Elektrisk belysning kan t.ex. lysa något svagare en kort stund medan maskinen kopplas in. Om elnätets systemimpedans är lägre än  $0,19 \Omega$ , är risken för sådana störningar liten.

- Ungdomar eller personer med svag hälsa får inte använda verktyget utan tillsyn. Håll uppsyn så att inga barn leker med apparaten.
- Om nätsladden är skadad måste den bytas ut av tillverkaren eller en godkänd Black & Decker serviceverkstad för att undvika risker.

## Förlängningssladdar och klass 1-produkter

- En jordad sladd ska användas då verktyget är jordat och av klass 1-konstruktion.
- Upp till 30 m kan användas utan att effekten avtar.

## Extra säkerhetsföreskrifter för varmluftpistol

- Varning!** Verktyget är inte avsett att användas av barn eller rörelsehindrade. Håll barn under uppsikt så att de inte leker med apparaten.
- Varning!** Ställ alltid verktyget i upprätt läge när det inte används.
- Om verktyget inte används med försiktighet kan det orsaka brand. Var därför alltid försiktig vid användning.
- Blockera inte luftintaget eller munstycket, eftersom det då finns risk för att verktyget kan skadas.
- Var ytterst försiktig när du använder apparaten i närheten av brännbart material.
- Rikta inte varmluften mot människor eller djur.
- Rör inte munstycket eftersom det blir mycket hett vid användning. Munstycket svalnar inte förrän efter ca. 30 min.

- Tryck inte munstycket mot något när verktyget används eller direkt efteråt.
- Sätt inte in något föremål i munstycket eftersom det kan ge elektrisk stöt.
- Titta inte i munstycket när verktyget är inkopplat.
- Använd inte verktyget som hårtork! Lufttemperaturen är mycket högre än en hårtorks.
- Se till att det finns ordentlig ventilation eftersom giftiga gaser kan uppstå vid användning.
- Använd inte verktyget i en fuktig miljö.
- Var medveten om att värmen kan överföras till brännbara material som du inte direkt ser. Utrymmen bakom skivor, tak och golv och väggar i timmerhus kan innehålla brännbart material. Kontrollera innan du börjar.
- Använd inte apparaten i närheten av explosiv atmosfär, dvs. inte där brännbara gaser, vätskor eller andra material kan finnas i närheten.
- När du tar bort färg, se till att arbetsytan är avskärmad. Använd en specialkonstruerad ansiktsmask som skyddar mot damm från blyhaltiga färger och ångor, samt se till att personer som vistas på, eller kommer i närheten av, arbetsplatsen också är skyddade.
- Bränn inte färgen, då detta kan innebära brandfara.
- Tag bort eventuell färg som fastnat på munstycket eftersom det kan förorsaka eld.
- Rikta inte varmluften mot samma arbetsyta för länge.
- Lämn aldrig verktyget utan tillsyn när det är inkopplat.
- Lämn inte apparaten utan tillsyn medan den är inkopplad eller håller på att svalna.
- Stäng av verktyget och låt det svalna innan tillbehör monteras på det.
- Låt verktyget svalna innan det läggs undan.

## Ta bort blybaserad färg

Var mycket försiktig vid färgborttagning. Färgflagorna och ångorna kan innehålla bly som är giftiga. Alla byggnader från tiden före 1960 kan ha målats med färg som innehåller bly. Denna färg kan sedan ha målats över med ytterligare färglager. När det avsatts på ytor kan det räcka med handkontakt för att få det i sig. Att utsättas för låga blydoser kan ge kroniska skador på hjärna och nervsystem. Blyförgiftning utgör en mycket stor fara, särskilt för barn och gravida kvinnor. Innan arbetet påbörjas, är det viktigt att avgöra om färgytan, som skall slipas, innehåller bly. Detta kan göras med en testutrustning eller av en yrkesperson (målare, dekoratör etc.) Rök, åt eller drick inte vid ett arbetsutrymme som kan vara förorenat av bly. Blybaserade färger får endast avlägsnas av fackmän och ska inte avlägsnas med en varmluftpistol.

## Detaljbeskrivning

- Strömbrytare
- Värmekontrollknapp

### 3. Munstycke

#### Montering

**Varning!** Se till att verktyget är avstängt samt att det inte är anslutet innan monteringen börjar.

#### Isättning av tillbehör

Tillbehör kan erhållas hos din lokala återförsäljare.

- Koniskt munstycke           Koncentrerar luftströmmen på ett mindre område
- Rektangulärt munstycke   Sprider luftströmmen över ett större område
- Reflektormunstycke       För att löda rör
- Glasskyddsmunstycke      För att skydda glas vid färgborttagning
- Skrapa                         För färgborttagning av bort färg och lack

- ◆ Montera tillbehörets förbindelsedel över munstycket (3).

**Varning!** Kontrollera att verktyget är avstängt och har svalnat innan tillbehöret monteras.

#### Användning

**Varning!** Överbelasta inte maskinen, låt den arbeta i sin egen takt.

#### Ställa in temperaturen (fig. A)

- ◆ Vrid värmekontrollknappen (2) medsols för att öka temperaturinställningen.
- ◆ Vrid värmekontrollknappen (2) motsols för att öka temperaturinställningen.

#### Start och stopp

- ◆ För att starta maskinen ställ strömbrytaren (1) i läge I.
- ◆ För att stanna maskinen ställ strömbrytaren i läge 0.

#### Använda verktyget

- ◆ Låt verktyget värmas upp under ett par sekunder innan användning.
- ◆ Först kan det ryka från munstycket. Detta är normalt och avtar efter en stund.
- ◆ Använd en låg temperaturinställning för att torka färg och fernissade ytor, ta bort klistermärken, krympa isoleringsrör och tina frusna rör.
- ◆ Använd en medeltemperaturinställning för att svetsa plast, böja plaströr och lossa hårt åtskruvade skruvar och bultar.
- ◆ Använd en hög temperaturinställning för att avlägsna färg och lack och löda rörfogar.

- ◆ Om du är osäker på om du kan använda verktyget på ett visst material, kan du börja med en låg temperaturinställning och göra ett test på avfallsmaterial.

#### Handsfree-användning (fig. B)

Verktyget har ställningar (4) för att underlätta handsfree-användning.

- ◆ Placera verktyget med munstycket upp på en yta där det inte kan välta.
- ◆ Fäst sladden så att den inte kan dra ner verktyget från ställningen.

**Varning!** Rikta alltid verktyget bort från dig eller andra. Vidrör aldrig munstycket. Kontrollera att inga material droppar ner i munstycket.

#### Färgborttagning

- ◆ Rikta varmluften mot arbetsområdet för att värma upp färgen.
- ◆ Bränn inte färgen. Håll munstycket minst 25 mm från ytan.
- ◆ När färgen blir mjuk kan den avlägsnas med en handskrapa. Skrapa bort den mjuka färgen omedelbart, innan den torkar igen.
- ◆ Skrapa om möjligt alltid i träets fiberriktning.
- ◆ Låt inte färg och skrap samlas på skrapan.
- ◆ När du skrapar vertikalt ska du skrapa neråt för att undvika att få färg i munstycket.
- ◆ När du tar bort färg från en yta bredvid glas, ska du vidta nödvändiga åtgärder för att skydda glaset från värme.
- ◆ **Varning!** Försök inte ta bort färg från fönster med metallram.
- ◆ Kasta bort alla färgrester på ett säkert sätt och se till att arbetsytan rengörs ordentligt efter att arbetet avslutats.

#### Svalna

Vid användning blir verktygets munstycke mycket varmt. Låt verktyget svalna minst 30 minuter efter avstängning.

- ◆ Placera verktyget med munstycket upp på en yta där det inte kan välta.
- ◆ Minska nedkallningstiden genom att ställa in den lägsta temperaturinställningen och låta verktyget gå i ett par minuter.

#### Skötsel

Verktyg har tillverkats för att fungera under lång tid med ett minimum av underhåll. Med rätt underhåll och regelbunden rengöring behåller verktyget sina prestanda.

- ◆ Rengör luftsprångorna regelbundet med en ren och torr mållarpensel.
- ◆ Använd enbart milda tvålmedel och en fuktig trasa för att rengöra verktyget. Låt aldrig vätska komma in i verktyget och låt verktyget (eller någon del) aldrig hamna i någon vätska.

## Miljöskydd



Särskild insamling. Denna produkt får inte kastas bland vanliga hushållssopor.

Om du någon gång i framtiden behöver ersätta din Black & Decker-produkt med en ny, eller inte längre behöver den, ska du inte kasta den i hushållssoporna. Denna produkt skall lämnas till särskild insamling.



Efter insamling av använda produkter och förpackningsmaterial kan materialen återvinnas och användas på nytt. Användning av återvunna material skonar miljön och minskar förbrukningen av råvaror.

Enligt lokal lagstiftning kan det förekomma särskilda insamlingar av uttjänt elutrustning från hushåll, antingen vid kommunala miljöstationer eller hos detaljhandlaren när du köper en ny produkt.

Black & Decker erbjuder en samlings- och återvinnings-tjänst för Black & Decker-produkter när de en gång har tjänat ut. För att använda den här tjänsten lämnar du in produkten till en auktoriserad B & D –reparatör/representant som tar hand om den för din räkning.

Närmaste auktoriserad Black & Decker-representant finner du genom det lokala Black & Decker-kontoret på adressen i den här manualen. Annars kan du söka på Internet, på listan över auktoriserade Black & Decker-representanter och alla uppgifter om vår kundservice och andra kontakter. [www.2helpU.com](http://www.2helpU.com)

### Tekniska data

		KX1800	KX2000
Spänning	V <sub>AC</sub>	230	230
Konstruktion		Klass I	Klass I
Ineffekt	W	1.800	2.000
Temperaturintervall	°C	50 - 600	50 - 600
Vikt	kg	0,85	0,85

### EC-förklaring om överensstämmelse

KX1800 TYPE 2/KX2000 TYPE 2

Black & Decker förklarar att dessa produkter överensstämmer med: 98/37/EEG, 89/336/EEG, 73/23/EEG2, EN 50144, EN 55014, EN 60335, EN 61000

L<sub>DA</sub> (bulletryck) 75 dB(A), vägt geometriskt vibrationsvärde hand/arm < 2,5 m/s<sup>2</sup>

Kevin Hewitt  
Director of Consumer Engineering  
Spennymoor, County Durham DL16 6JG,  
Storbritannien  
1-10-2005

## Reservdelar / reparationer

Reservdelar finns att köpa hos auktoriserade Black & Decker verkstäder, som även ger kostnadsförslag och reparerar våra produkter.

Förteckning över våra auktoriserade verkstäder finns på Internet, vår hemsida [www.blackanddecker.se](http://www.blackanddecker.se) samt [www.2helpU.com](http://www.2helpU.com)

## Garanti

Black & Decker garanterar att produkten är fri från material- och/eller fabriktionsfel vid leverans till kund. Garantin är i tillägg till konsumentens lagliga rättigheter och påverkar inte dessa. Garantin gäller inom medlemsstaterna i Europeiska Unionen och i det Europeiska Frihandelsområdet.

Om en Black & Decker produkt går sönder på grund av material- och/eller fabriktionsfel eller brister i överensstämmelse med specifikationen, inom 24 månader från köpet, åtar sig Black & Decker att reparera eller byta ut produkten med minsta besvär för kunden.

Garantin gäller inte för fel som beror på:

- ◆ normalt slitage
- ◆ felaktig användning eller skötsel
- ◆ att produkten skadats av främmande föremål, ämnen eller genom olyckshändelse

Garantin gäller inte om reparation har utförts av någon annan än en auktoriserad Black & Decker verkstad.

För att utnyttja garantin skall produkten och inköpskvittot lämnas till återförsäljaren eller till en auktoriserad verkstad senast 2 månader efter det att felet har upptäckts. För information om närmaste auktoriserad verkstad; kontakta det lokala Black & Decker kontoret på den adress som är angiven i bruksanvisningen. En lista på alla auktoriserade verkstäder samt servicevillkor finns även tillgängligt på Internet, adress: [www.2helpU.com](http://www.2helpU.com)

Besök vår webbplats [www.blackanddecker.se](http://www.blackanddecker.se) för att registrera din nya Black & Decker-produkt samt för att erhålla information om nya produkter och specialerbjudanden. Vidare information om märket Black & Decker och vårt produktsortiment kan återfinnas på [www.blackanddecker.se](http://www.blackanddecker.se)



## Bruksområder

Dette verktøyet er konstruert for oppvarming innen diverse bruksområder (f.eks. malingsfjerning). Verktøyet er tiltenkt kun som konsumentverktøy.

## Generelle sikkerhetsforskrifter

**Advarsel!** Les gjennom alle anvisningene. Hvis anvisningene nedenfor ikke overholdes, kan det medføre elektrisk støt, brann og/eller alvorlige skader. Uttrykket «elektroverktøy» i alle advarslene nedenfor gjelder for strømdrevne elektroverktøy (med ledning) og batteridrevne elektroverktøy (uten ledning). TA GODT VARE PÅ DISSE ANVISNINGENE.

### 1. Arbeidsplassen

- Hold arbeidsområdet rent og godt opplyst.** Rotete arbeidsområder og arbeidsområder uten godt lys kan føre til ulykker.
- Ikke arbeid med elektroverktøy i eksplosjonsfarlige omgivelser – der det befinner seg brennbare væsker, gass eller støv.** Elektroverktøy forårsaker gnister som kan antenne støv eller damper.
- Hold barn og andre personer unna når elektroverktøyet brukes.** Hvis du blir forstyrret under arbeidet, kan du miste kontrollen.

### 2. Elektrisk sikkerhet

- Støpselet til elektroverktøyet må passe inn i stikkkontakten. Støpselet må ikke forandres på noen som helst måte. Ikke bruk adapterstøpsler sammen med jordete elektroverktøy.** Bruk av originale støpsler og passende stikkontakter reduserer risikoen for elektrisk støt.
- Unngå kroppskontakt med jordete overflater som rør, radiatorer, komfyrer og kjøleskap.** Det er større fare for elektrisk støt hvis kroppen din er jordet.
- Hold elektroverktøy unna regn eller fuktighet.** Dersom det kommer vann i et elektroverktøy, øker risikoen for elektrisk støt.
- Unngå uforvarlig behandling av ledningen. Elektroverktøyet må aldri bæres eller trekkes etter ledningen, og trekk heller ikke ut støpselet ved å rykke i ledningen. Hold ledningen unna varme, olje, skarpe kanter eller bevegelige deler.** Med skadde eller sammenflokete ledninger øker risikoen for elektrisk støt.
- Når du arbeider utendørs med et elektroverktøy, må du kun bruke en skjøteledning som er godkjent til utendørs bruk.** Ved å bruke en skjøteledning som er egnet for utendørs bruk, reduseres risikoen for elektrisk støt.

### 3. Personssikkerhet

- Vær oppmerksom, pass på hva du gjør og gå fornuftig fram når du arbeider med et elektroverktøy. Ikke bruk elektroverktøy når du er**

**trett eller er påvirket av narkotika, alkohol eller medikamenter.** Et øyeblikks uoppmerksomhet under bruk av verktøyet kan føre til alvorlige personskader.

- Bruk personlig verneutstyr. Bruk alltid vernebriller.** Bruk av personlig verneutstyr, for eksempel støvmaske, skliskire vernesko, hjelm eller hørselsvern som passer til forholdene, reduserer risikoen for personskader.
  - Unngå utilsiktet start av elektroverktøyet. Påse at bryteren står i posisjon "AV" før verktøyet koples til.** Det kan føre til ulykker hvis du bærer elektroverktøyet med fingeren på bryteren, eller kopler til verktøyet når bryteren ikke står i posisjon "AV".
  - Fjern innstillingsverktøy eller skrunøkler før du slår på elektroverktøyet.** Et verktøy eller en nøkkel som befinner seg i en roterende del, kan føre til personskade.
  - Ikke strekk deg for langt. Pass på at du alltid har sikkert fotfeste og god balanse.** Da kan du kontrollere elektroverktøyet bedre i uventede situasjoner.
  - Bruk alltid egnede klær. Ikke bruk løstsittende klær eller smykker. Hold hår, klær og hansker unna bevegelige deler.** Løstsittende tøy, smykker eller langt hår kan komme inn i bevegelige deler.
  - Hvis det kan monteres støvavsug- og oppsamlingsinnretninger, må du forvisse deg om at disse er tilkoblet og brukes på korrekt måte.** Bruk av disse innretningene reduserer faren for forbindelse med støv.
- 4. Aktsom håndtering og bruk av elektroverktøy**
- Ikke bruk makt på elektroverktøyet. Bruk et elektroverktøy som er beregnet på den type arbeid du vil utføre.** Med et passende elektroverktøy arbeider du bedre og sikrere i det angitte effektområdet.
  - Ikke bruk elektroverktøy med defekt strømbryter.** Et elektroverktøy som ikke lenger kan slås av eller på med bryteren, er farlig og må repareres.
  - Trekk støpselet ut av stikkkontakten før du utfører innstillinger på elektroverktøyet, skifter tilbehørsdeler eller legger elektroverktøyet bort.** Disse tiltakene reduserer risikoen for en utilsiktet start av elektroverktøyet.
  - Elektroverktøy som ikke er i bruk, må oppbevares utilgjengelig for barn. Ikke la verktøyet brukes av personer som ikke er fortlølig med dette, eller som ikke har lest disse bruksanvisningene.** Elektroverktøy er farlige når de brukes av uerfarne personer.
  - Vær nøye med vedlikehold av elektroverktøy. Kontroller om bevegelige deler fungerer feilfritt og ikke klemmes fast, om deler er brukt eller skadet og andre forhold som kan innvirke på elektroverktøyet funksjon. Hvis elektroverktøyet er skadet, må det repareres før bruk.** Dårlig vedlikeholdte elektroverktøy er årsaken til mange uhell.

- f. Hold skjæreverktøy skarpe og rene.** Godt vedlikeholdte skjæreverktøy med skarpe egger setter seg ikke så ofte fast og er lettere å føre.
- g. Bruk elektroverktøy, tilbehør, bits osv. i henhold til disse anvisningene og slik det er foreskrevet for denne spesielle verktøytypen. Ta hensyn til arbeidsforholdene og arbeidet som skal utføres.** Bruk av elektroverktøy til andre formål enn det som er angitt, kan føre til farlige situasjoner.

## 5. Service

- a. Elektroverktøyet ditt skal alltid repareres av kvalifisert personell og kun med originale reservedeler.** Dette forsikrer at elektroverktøyet sikkerhet opprettholdes.

## Elektrisk sikkerhet



Verktøyet må kobles til et jordet uttak. Kontroller at nettspenningen er i overensstemmelse med spenningen på typeskiltet.

## Spenningsfall

Innkoblingsstrøm forårsaker kortvarige spenningsfall. Under ugunstige strømforsyningsbetingelser kan annet utstyr bli berørt. Kunstig belysning vil f.eks. bli svakere mens maskinen slås på.

Hvis strømforsyningsens systemimpedans er lavere enn  $0,19 \Omega$ , er det usannsynlig at det vil oppstå forstyrrelser.

- ◆ Dette apparatet er ikke beregnet for bruk av unge eller uerfarne personer uten tilsyn. Barn må ha tilsyn for å sikre at de ikke leker med apparatet.
- ◆ Hvis strømfledningen skades, må den skiftes ut av fabrikanten eller et autorisert Black & Decker servicesenter for å unngå fare.

## Skjøteledninger og klasse 1-produkt

- ◆ Det må brukes en kabel med tre ledere, da verktøyet er et jordet klasse 1-verktøy.
- ◆ Opptil 30 m kan brukes uten effekttap.

## Ekstra sikkerhetsinstruksjoner for varmluftpistoler

- ◆ **Advarsel!** Verktøyet er ikke beregnet på bruk av unge eller umodne personer. Barn må holdes under oppsyn for å hindre at de rører verktøyet.
- ◆ **Advarsel!** Verktøyet må alltid plasseres i stående stilling når det ikke brukes.
- ◆ Hvis verktøyet ikke brukes forsiktig, kan det føre til brann. Verktøyet må derfor alltid brukes forsiktig og med aktsomhet.
- ◆ Blokker ikke luftinntaksspaltene eller munnstykket. Temperaturen kan da bli for høy og skade verktøyet.

- ◆ Vær forsiktig når du bruker utstyret i nærheten av brennbare materialer.
- ◆ Ikke rett varmluftpistolen mot mennesker eller dyr.
- ◆ Ikke ta på munnstykket, da det blir svært varmt og holder seg varmt i cirka 30 minutter etter bruk.
- ◆ Ikke hold munnstykket inntil noen gjenstand når verktøyet er i bruk eller umiddelbart etter bruk.
- ◆ Ikke stikk noe inn i munnstykket. Dette kan forårsake elektrisk støt.
- ◆ Ikke se inn i munnstykket mens verktøyet er slått på.
- ◆ Bruk aldri varmluftpistolen som hårtørker! Lufttemperaturen er mye høyere enn temperaturen i luften fra en hårtørker.
- ◆ Påse at du har skikkelig ventilasjon når verktøyet brukes, fordi det kan utvikles giftige gasser.
- ◆ Ikke bruk verktøyet i fuktig atmosfære.
- ◆ Vær oppmerksom på at varme kan ledes til brennbare materialer som ligger skjult. Tomrom på baksiden av plater, tak, gulv og vegger i trehus kan inneholde brennbare materialer. Sjekk før arbeidet begynner.
- ◆ Må ikke brukes i eksplosjonsfarlige omgivelser. Bruk altså aldri verktøyet på steder der det muligens fins antennerlige gasser, væsker eller andre materialer.
- ◆ Pass på at arbeidsområdet er avskjermet ved fjerning av maling. Bruk en spesialmaske som beskyttelse mot støv og gasser fra blyholdig maling, og pass på at andre som kommer inn der du arbeider, også beskytter seg.
- ◆ Ikke brenn maling, da det kan medføre brannfare.
- ◆ Ikke la maling feste seg på munnstykket. Det kan ta fyr etter en viss tid.
- ◆ Rett ikke varmluftpistolen mot samme arbeidsflate over lengre tid.
- ◆ Ikke forlat verktøyet uten tilsyn når det er i bruk.
- ◆ Forlat aldri utstyret uten tilsyn når det er slått på eller når det avkjøles.
- ◆ Slå av verktøyet og la det kjøle før du monterer tilleggsutstyr.
- ◆ Avkjøl verktøyet helt før det legges bort.

## Fjerne blybasert maling

Vær ekstremt forsiktig ved fjerning av maling. Blydamp og støv som inneholder blypartikler, er ekstremt helsefarlig. Alle bygninger fra før 1960 kan ha blitt malt med maling som inneholder bly. Denne malingen kan være dekket av flere andre lag med maling. Hvis det er blyholdig maling på overflatene, kan hånd til munn-kontakt føre til inhalering av bly. Eksponering for selv små mengder bly kan føre til uopprettelige hjerneskader eller skader på nervesystemet. Barn og gravide står i størst fare for blyforgiftning. Før du begynner arbeidet må du finne ut om malingen som skal fjernes, inneholder bly. Dette kan du gjøre ved å bruke en testpakke som du får fra fargehandlere eller malere.

Ikke røyk, spis eller drikk i et arbeidsområde som kan være forurenset av bly. Blybasert maling må kun fjernes av spesialister og må ikke fjernes med en varmluftpistol.

## Funksjoner

1. Strømbryter
2. Varmekontrollknapp
3. Munnstykke

## Montering

**Advarsel!** Før monteringen, må du passe på at verktøyet er slått av og at kontakten er trukket ut.

## Montere tilbehør

Et assortert utvalg av tilbehør er tilgjengelig fra din lokale forhandler.

- Konisk munnstykke Konsentrerer luftstrømmen til et mindre område
  - Fiskehale Sprer luftstrømmen over et større område
  - Skjereflektor For lodding av rør
  - Glassbeskytter For beskyttelse av glass under malingsfjerning
  - Skrape For fjerning av maling og lakk
- ◆ Sett koblingsstykket til tilbehøret over munnstykket (3).

**Advarsel!** Påse at verktøyet er slått av og nedkjølt før montering av tilbehør.

## Bruk

**Advarsel!** La verktøyet jobbe med sin egen hastighet. Ikke overbelast det.

## Stille inn temperaturen (fig. A)

- ◆ For å øke temperaturinnstillingen må du skru varmekontrollknappen (2) med klokken.
- ◆ For å redusere temperaturinnstillingen må du skru varmekontrollknappen mot klokken.

## Start og stopp

- ◆ For å sette igang verktøyet, setter du strømbryteren (1) i posisjon I.
- ◆ For å slå av verktøyet, setter du strømbryteren i posisjon O.

## Bruke verktøyet

- ◆ La verktøyet varmes opp noen sekunder før det tas i bruk.
- ◆ Til å begynne med kan det komme litt røyk ut av munnstykket. Dette er normalt og vil snart holde opp.
- ◆ Bruk en lav temperaturinnstilling for tørking av maling og lakk, fjerning av klistremerker, krymping av isolasjonsrør og tining av frosne rør.

- ◆ Bruk en middels temperaturinnstilling for sveising av plast, bøyning av plastrør og løsning av fastsittende muttere og skruer.
- ◆ Bruk en høy temperaturinnstilling for fjerning av maling og lakk, og lodding av rørledd.
- ◆ Hvis du er usikker på bruken av dette verktøyet i forbindelse med et bestemt materiale, bør du begynne med en lav temperaturinnstilling og teste den på noe skrapmateriale.

## Håndfri bruk (fig. B)

Verktøyet har ståflater (4) for håndfri bruk.

- ◆ Sett verktøyet med munnstykket opp på en flate der det ikke kan velte.
- ◆ Fest ledningen for å unngå at verktøyet trekkes ut av stående stilling.

**Advarsel!** La alltid verktøyet peke bort fra deg selv og andre personer. Ikke berør munnstykket. Pass på at det ikke drypper noe materiale inn i munnstykket.

## Malingsfjerning

- ◆ Rett varmluften mot arbeidsområdet for å varme opp malingen.
- ◆ Ikke brenn malingen. Hold munnstykket minst 25 mm fra overflaten.
- ◆ Når malingen blir myk, skrapes du den vekk ved å bruke en skraper. Skrap det myknede materialet av umiddelbart, ellers vil det stivne igjen.
- ◆ Skrap med treets fiberretning når dette er mulig.
- ◆ Ikke la maling og rusk samle seg på skraperen.
- ◆ Når du skrapes fra en vertikal stilling, må du skrape nedover for å hindre at malingen faller ned i munnstykket.
- ◆ Når du fjerner maling fra en overflate ved siden av glass, må du treffe nødvendige tiltak for å beskytte glasset mot varmen.
- ◆ **Advarsel!** Ikke prøv å fjerne maling fra vinduer med metallramme.
- ◆ Kasser alle malingrester på en sikker måte, og gjør godt rent etter at arbeidet er avsluttet.

## Avkjøling

Når verktøyet er i bruk, blir munnstykket ekstremt varmt. Etter at verktøyet er slått av, må du la det kjøle seg ned i minst 30 minutter.

- ◆ Sett verktøyet med munnstykket opp på en flate der det ikke kan velte.
- ◆ For å forkorte nedkjølingstiden, kan du la verktøyet gå med en lav temperaturinnstilling noen minutter før du slår det av.

## Vedlikehold

Verktøyet er konstruert for å være i drift over en lang periode med et minimum av vedlikehold. Med riktig vedlikehold og regelmessig rengjøring beholder verktøyet ytelsen.

- ◆ Rengjør ventilasjonsåpningene regelmessig med en ren, tørr malerkost.
- ◆ Bruk kun mild såpe og fuktig klut ved rengjøring av verktøyet. Pass på at det ikke kommer væske inn i verktøyet, og ikke dypp noen deler av verktøyet i væske.

## Miljøvern



Kildesortering. Dette produktet må ikke kastes i det vanlige husholdningsavfallet.

Hvis du finner ut at Black & Decker-produktet ditt må skiftes ut, eller hvis du ikke lenger har bruk for det, må du unnlate å kaste det sammen med det vanlige husholdningsavfallet. Sørg for at dette produktet gjøres tilgjengelig for kildesortering.



Kildesortering av brukte produkter og emballasje gjør det mulig å resirkulere materialer og bruke dem igjen. Gjenbruk av resirkulerte materialer bidrar til å forhindre forsøpling av miljøet og reduserer behovet for råmaterialer.

Lokale regelverk kan legge tilrette for kildesortering av elektriske produkter fra husholdningen, ved kommunale deponier eller gjennom forhandleren når du kjøper et nytt produkt.

Black & Decker har tilrettelagt for innsamling og resirkulering av Black & Decker-produkter etter at de har utspilt sin rolle. Ønsker du å benytte deg av denne tjenesten, returnerer du produktet ditt til et autorisert serviceverksted, som tar det imot og formidler det videre.

Du kan få adressen til ditt nærmeste autoriserte serviceverksted ved å kontakte ditt lokale Black & Decker-kontor på adressen oppgitt i denne håndboken. Du kan også finne en komplett liste over autoriserte Black & Decker-serviceverksteder og utfyllende informasjon om vår etter salg-service og kontaktnumre på Internett på følgende adresse:

**www.2helpU.com**

## Tekniske data

		KX1800	KX2000
Spenning	V <sub>AC</sub>	230	230
Konstruksjon		Klasse I	Klasse I
Inn-effekt	W	1.800	2.000
Temperaturområde	°C	50 - 600	50 - 600
Vekt	kg	0,85	0,85

## Samsvarserklæring for EU

KX1800 TYPE 2/KX2000 TYPE 2

Black & Decker erklærer at disse produktene overholder:  
98/37/EØF, 89/336/EØF, 73/23/EØF, EN 50144, EN 55014,  
EN 60335, EN 61000

L<sub>DA</sub> (lydtrykk) 75 dB(A), hånd/arm-vektet vibrasjon < 2,5 m/s<sup>2</sup>

Kevin Hewitt

Adm. dir. for forbrukerteknikk  
Spennymoor, County Durham DL16 6JG,  
Storbritannia  
1-10-2005

## Reservdelar / reparasjoner

Reservdelar kan kjøpes hos autoriserte Black & Decker serviceverksteder, som også gir kostnadsoverslag og reparerer våre produkter.

Oversikt over våre autoriserte serviceverksteder finnes på Internett, vår hjemmeside **www.blackanddecker.no** samt **www.2helpU.com**

## Garanti

Black & Decker garanterer at produktet ikke har material- og/eller fabrikkasjonsfeil ved levering til kunde. Garantien er i tillegg til kundens lovlige rettigheter og påvirker ikke disse. Garantien gjelder innen medlemsstatene i den Europeiske Unionen og i det Europeiske Frihandelsområdet.

Hvis et Black & Decker produkt går i stykker på grunn av material- og/eller fabrikkasjonsfeil eller har mangler i forhold til spesifikasjonene, innen 24 måneder fra kjøpet, påtar Black & Decker seg å reparere eller bytte ut produktet med minst mulig vanskelighet for kunden.

Garantien gjelder ikke for feil som kommer av:

- ◆ normal slitasje
- ◆ feilaktig bruk eller vedlikehold (mislighold)
- ◆ at produktet har blitt skadet av fremmede gjenstander, emner eller ved et uhell

Det gjøres oppmerksom på at produktet ikke er beregnet på industriell/profesjonell/yrkesmessig bruk, men til hus- og hjemmebruk.

Garantien gjelder ikke om reparasjoner har blitt utført av noen andre enn et autorisert Black & Decker serviceverksted.

For å ta garantien i bruk skal produktet og kjøpekvittering leveres til forhandleren eller til et autorisert serviceverksted senest 2 måneder etter at feilen har blitt oppdaget. For informasjon om nærmeste autoriserte serviceverksted; kontakt det lokale Black & Decker kontoret på den adressen som er angitt i bruksanvisningen. En oversikt over alle autoriserte serviceverksteder samt servicevilkår finnes også tilgjengelig på Internet, adresse: **www.2helpU.com**

Vennligst stikk innom våre nettsider på **www.blackanddecker.no** for å registrere ditt nye Black & Decker-produkt og for å holde deg oppdatert om nye produkter og spesialtilbud. Du finner mer informasjon om Black & Decker og produktutvalget vårt på **www.blackanddecker.no**

## Anvendelsesområde

Dette værktøj er beregnet til forskellige anvendelser, hvor der skal bruges varme (f.eks. fjernelse af maling). Værktøjet er kun beregnet til privat brug.

## Generelle sikkerhedsregler

**Advarsel!** Læs alle instrukserne. Hvis nedenstående instrukser ikke følges, er der risiko for elektrisk stød, brand og/eller alvorlige personskader. Det benyttede begreb "el-værktøj" i nedennævnte advarsler refererer til netdrevne (med tilslutningsledning) eller batteridrevne maskiner (uden tilslutningsledning). DISSE INSTRUKSER BØR OPBEVARES TIL SENERE BRUG.

### 1. Arbejdsområde

#### a. Sørg for, at arbejdsområdet er rent og ryddeligt.

Uordentlige og uoplyste arbejdsområder øger faren for uheld.

#### b. Brug ikke el-værktøj i eksplosionstruede omgivelser, f.eks. hvor der er brændbare væsker, gasser eller støv. El-værktøj kan slå gnister, der kan antænde støv eller dampe.

#### c. Sørg for, at børn og andre personer holder sig på afstand, når el-værktøjet er i brug. Hvis man distraheres, kan man miste kontrollen over maskinen.

### 2. El-sikkerhed

#### a. El-værktøjsstik skal passe til kontakten. Stikket må under ingen omstændigheder ændres. Brug ikke adapterstik sammen med jordforbundet el-værktøj.

Uændrede stik, der passer til kontakterne, nedsætter risikoen for elektrisk stød.

#### b. Undgå kropskontakt med jordforbundne overflader som f.eks. rør, radiatorer, komfurer og køleskabe. Hvis din krop er jordforbundet, øges risikoen for elektrisk stød.

#### c. El-værktøj må ikke udsættes for regn eller fugt. Indtrængen af vand i el-værktøj øger risikoen for elektrisk stød.

#### d. Undgå at ødelægge ledningen. Undgå at bære, trække eller afbryde el-værktøjet ved at rykke i ledningen. Beskyt ledningen mod varme, olie, skarpe kanter eller maskindele, der er i bevægelse. Beskadigede eller indviklede ledninger øger risikoen for elektrisk stød.

#### e. Hvis el-værktøj benyttes i det fri, skal der benyttes en forlængerledning, som er godkendt til udendørs brug. Brug af en forlængerledning til udendørs brug nedsætter risikoen for elektrisk stød.

### 3. Personlig sikkerhed

#### a. Det er vigtigt at være opmærksom, holde øje med, hvad man laver og bruge el-værktøjet fornuftigt.

**Man bør ikke bruge maskinen, hvis man er træt, har nydt alkohol eller er påvirket af medicin eller euforiserende stoffer.** Få sekunders uopmærksomhed ved brug af el-værktøjet kan føre til alvorlige personskader.

- b. **Brug sikkerhedsudstyr. Brug altid beskyttelsesbriller.** Brug af sikkerhedsudstyr som f.eks. støvmaske, skridsikket fodtøj, beskyttelseshjelm eller høreværn afhængigt af maskintype og anvendelse nedsætter risikoen for personskader.
  - c. **Undgå utilsigtet igangsætning. Sørg for, at el-værktøjets afbryder er på off, før det slutes til strømmen.** Hvis man bærer el-værktøj med fingeren på afbryderen, eller hvis man slutter værktøjet til strømmen, mens afbryderen er på on, er der risiko for ulykker.
  - d. **Fjern indstillingsværktøj eller skruenøgle, inden el-værktøjet tændes.** Et værktøj eller en nøgle, der efterlades i en roterende del i el-værktøjet, kan resultere i personskader.
  - e. **Overvurder ikke dig selv. Sørg for, at du altid har sikkert fodfæste og balance.** Det gør det nemmere at kontrollere el-værktøjet, hvis der skulle opstå uventede situationer.
  - f. **Brug egnet arbejdstøj. Undgå løse beklædningsgenstande eller smykker. Hold hår, tøj og handsker væk fra dele, der bevæger sig.** Bevægelige dele kan gribe fat i løstsiddende tøj, smykker eller langt hår.
  - g. **Hvis støvudsugnings- og opsamlingsudstyr kan monteres, er det vigtigt, at dette tilsluttes og benyttes korrekt.** Brug af dette udstyr nedsætter risikoen for personskader som følge af støv.
4. **Brug og vedligeholdelse af el-værktøj**
    - a. **Undgå at overbelaste el-værktøjet. Brug altid det rette el-værktøj til opgaven.** Med det rigtige el-værktøj udføres arbejdet lettere og sikrere inden for det angivne effektområde.
    - b. **Brug ikke el-værktøjet, hvis afbryderen er defekt.** El-værktøj, der ikke kan kontrolleres med afbryderen, er farligt og skal repareres.
    - c. **Træk stikket ud af stikkontakten inden indstilling, tilbehørsudskiftning eller opbevaring af el-værktøjet.** Disse sikkerhedsforanstaltninger reducerer risikoen for utilsigtet start af værktøjet.
    - d. **Opbevar ubenyttet el-værktøj uden for børns rækkevidde. Lad aldrig personer, der ikke er fortrolige med el-værktøj, eller som ikke har gennemlæst disse instrukser, benytte maskinen.** El-værktøj er farligt, hvis det benyttes af ukyndige personer.
    - e. **El-værktøj bør vedligeholdes omhyggeligt. Kontroller, om bevægelige dele fungerer korrekt og ikke sidder fast, og om delene er brækket eller**

**beskadiget, således at el-værktøjets funktion påvirkes. Få beskadigede dele repareret, inden el-værktøjet tages i brug.** Mange uheld skyldes dårligt vedligeholdt el-værktøj.

- f. Sørg for, at skæreværktøjer er skarpe og rene.** Omhyggeligt vedligeholdt skæreværktøjer med skarpe skærekanter sætter sig ikke så hurtigt fast og er nemmere at føre.
- g. Brug el-værktøj, tilbehør, indsatsværktøj osv. i overensstemmelse med disse instrukser, og sådan som det kræves for denne specielle værktøjstype. Tag hensyn til arbejdsforholdene og det arbejde, der skal udføres.** I tilfælde af anvendelse af el-værktøjet til formål, som ligger uden for det fastsatte anvendelsesområde, kan der opstå farlige situationer.

## 5. Service

- a. Sørg for, at el-værktøjet kun reparerer af kvalificerede fagfolk, og at der kun benyttes originale reservedele.** Dermed opretholdes el-værktøjets sikkerhed.

## El-sikkerhed



Maskinen skal tilsluttes til jordet stikkontakt. Kontroller altid, at strømforsyningen svarer til spændingen på typeskiltet.

## Spændingsfald

Startstrømstød medfører kortvarige spændingsfald. Under ugunstige strømforsyningsforhold kan andet udstyr blive påvirket. F.eks. sker det et midlertidigt fald i styrken af kunstig belysning, når maskinen tændes. Hvis strømforsyningens systemimpedans er lavere end 0,19  $\Omega$ , vil der sandsynligvis ikke opstå forstyrrelser.

- ◆ Dette apparat er ikke beregnet til at blive betjent af unge eller uerfarne personer uden opsyn. Der skal være opsyn med børn for at sikre, at de ikke leger med maskinen.
- ◆ Hvis el-ledningen er skadet, skal den udskiftes af producenten eller et autoriseret Black & Decker servicecenter for at undgå ulykker.

## Forlænger kabler & førsteklases produkt

- ◆ Et 3-året kabel kan bruges, hvis dit værktøj er jordet og af en førsteklases konstruktion.
- ◆ Der kan bruges op til 30 m uden tab af styrke.

## Ekstra sikkerhedsanvisninger for varmluftspistoler

- ◆ **Advarsel!** Dette værktøj må ikke bruges af børn eller sygdomssvækkede. Der skal være opsyn med børn for at sikre, at de ikke leger med maskinen.

- ◆ **Advarsel!** Værktøjet skal altid stå opret, når det ikke er i brug.
- ◆ Hvis værktøjet ikke betjenes omhyggeligt, kan der opstå brand, så brug altid værktøjet forsigtigt og opmærksomt.
- ◆ Spær ikke for hverken luftindtaget eller mundstykkets udløb, da dette kan medføre en for høj varmedannelse, hvorved værktøjet kan blive beskadiget.
- ◆ Vær forsigtig, når du bruger apparatet på steder, hvor der befinder sig brændbare materialer.
- ◆ Ret ikke den varme luftstrøm mod andre mennesker eller dyr.
- ◆ Rør ikke ved mundstykket, da det bliver meget varmt under brugen og bliver ved med at være varmt i op til 30 minutter efter brugen.
- ◆ Sæt ikke mundstykket op mod en genstand under eller lige efter brugen.
- ◆ Stik ikke noget ned i mundstykket, da dette kan give elektrisk stød.
- ◆ Se ikke ned i mundstykket mens værktøjet er tændt.
- ◆ Dette værktøj må ikke bruges som hårtørrer. Luftens temperatur er langt højere end i en hårtørrer.
- ◆ Sørg for passende ventilation under brugen, da der kan dannes giftige dampe.
- ◆ Anvend ikke værktøjet i fugtige omgivelser.
- ◆ Bemærk, at varmen kan overføres til brændbare materialer, som man ikke kan se. Mellemlum bag brædder, lofter og gulve samt hulrum i væggene i huse, der er konstrueret med et træskelet, kan indeholde brændbare materialer. Kontroller dette før arbejdet påbegyndes.
- ◆ Må ikke anvendes, hvis der er risiko for eksplosion i nærheden, dvs. brug ikke værktøjet, hvor der kan være brændbare gasarter eller letantændelige materialer.
- ◆ Sørg for, at arbejdsområdet er aflukket, mens du fjerner maling. Man skal bære en specielt designet støvmaske til beskyttelse mod støv frembragt af blybaseret maling og blybaserede dampe samt sikre sig, at personer inden for arbejdsområdet også er beskyttet.
- ◆ Brænd ikke malingen, da dette kan medføre en brandulykke.
- ◆ Sørg for, at der ikke klæber maling til mundstykket, da der kan gå ild i det efter nogen tid.
- ◆ Kom ikke varme på det samme sted i lang tid ad gangen..
- ◆ Værktøjet må aldrig være uden tilsyn under brugen.
- ◆ Efterlad ikke apparatet uden tilsyn, mens det er tændt, eller mens det køler ned.
- ◆ Sluk for værktøjet og lad det køle af, før du sætter tilbehør i.
- ◆ Lad værktøjet køle helt af, før det opbevares.

## Fjernelse af blybaseret maling

Vær yderst forsigtig under fjernelse af maling. Afskrab, rester og dampe fra maling kan indeholde bly, der er giftig. Alle bygninger fra før 1960 kan før i tiden være blevet malet med maling, der indeholder bly.

Denne maling kan være dækket af flere lag maling. Når denne maling først sidder på fladerne, kan hånd-til-mund kontakt resultere i, at man indtager bly.

Udsættelse for selv lave blykoncentrationer kan give uoprettelig skade på hjernen og nervesystemet. Børn og gravide kvinder er mest udsat for blyforgiftning. Før arbejdet påbegyndes, er det vigtigt at afgøre, om den maling, der skal fjernes, indeholder bly. Dette kan gøres med et test-kit eller med hjælp fra en professionel (f.eks. maler eller dekoratør). Ryg, spis eller drik ikke i et område der muligvis er forurenede af bly. Blybaseret maling bør kun fjernes af fagfolk og bør ikke fjernes med varmluftspistol.

## Funktioner

1. Afbryder
2. Varmereguleringsknop
3. Mundstykke

## Montering

**Advarsel!** Før montering skal man sikre sig, at værktøjet er slukket og taget ud af stikkontakten.

## Montering af tilbehør

Der fås et udvalg af tilbehør i din lokale detailhandel.

- Konisk mundstykke      Koncentrerer luftstrømmen på et mindre område
  - Fiskehale                Spredt luftstrømmen over et bredere område
  - Skereflektor              Til lodning af rør
  - Glasbeskytter            Til beskyttelse af glas under fjernelse af maling
  - Skraber                    Til fjernelse af gammel maling og lak
- ◆ Sæt tilbehørets tilslutningsdel på over mundstykket (3).

**Advarsel!** Kontroller at værktøjet er slukket og afkølet, før der sættes tilbehør på.

## Anvendelse

**Advarsel!** Lad værktøjet arbejde i dets eget tempo. Det må ikke overbelastes.

## Indstilling af temperaturen (fig. A)

- ◆ Temperaturen øges ved at dreje varmereguleringsknappen (2) med uret.
- ◆ Temperaturen mindskes ved at dreje varmereguleringsknappen mod uret.

## Tænding og slukning

- ◆ For at tænde værktøjet, sættes tænd/sluk knappen (1) på I position.

- ◆ For at slukke værktøjet, sættes tænd/sluk knappen på O position.

## Brug af værktøjet

- ◆ Lad værktøjet varme op et par sekunder før brugen.
- ◆ Første gang det bruges, kan der komme lidt røg ud fra mundstykket. Dette er normalt og vil snart aftage.
- ◆ Brug en lav temperatur til at tørre maling og fæinis med, til fjernelse af klistermærker, krympning af isoleringsrør og optøning af frosne rør.
- ◆ Brug en middeltemperatur, når du svejser plastic, bøjer plasticrør og løsner stramme møtrikker og skruer.
- ◆ Brug en høj temperatur når du vil fjerne maling og lak, og lodde rørsamlinger.
- ◆ Hvis du ikke er sikker på brugen af dette værktøj til et bestemt materiale, så begynd ved en lav temperaturindstilling og lav en test på et stykke affaldsmateriale.

## Brug uden hænder (fig. B)

Dette værktøj har ståsteder (4) for at gøre det nemmere at bruge det uden hænder.

- ◆ Anbring værktøjet med mundstykket opad på en overflade, hvor det ikke kan tippe.
- ◆ Fastgør kablet for at forhindre, at værktøjet bliver trukket ud af stillingen.

**Advarsel!** Værktøjet skal altid pege væk fra dig selv eller andre. Rør ikke ved mundstykket. Pas på der ikke falder materiale ned i mundstykket.

## Fjernelse af maling

- ◆ Ret den varme luft mod arbejdsområdet for at varme malingen op.
- ◆ Brænd ikke malingen. Hold mundstykket mindst 25 mm fra overfladen.
- ◆ Når malingen bliver blød, fjernes den med en skraber. Skrab den blødgjorte maling af straks, da den ellers bliver hård igen.
- ◆ Skrab med årener i træet, hvor dette er muligt.
- ◆ Lad ikke maling eller affald samle sig på skraberens.
- ◆ Skrab nedad for at forhindre malingen i at falde tilbage i mundstykket, når du skraber fra en lodret position.
- ◆ Når du fjerner maling fra en flade ved siden af glas, så træf de nødvendige foranstaltninger for at beskytte glasset mod varmen.
- ◆ **Advarsel!** Forsøg ikke at fjerne maling fra vinduer med metalrammer.
- ◆ Bortskaf alle rester af maling på en sikker måde, og sørg for, at arbejdsområdet gøres grundigt rent efter brugen.



## Afkøling

Mundstykket på værktøjet bliver særdeles varmt under brugen. Når værktøjet er slukket, skal det stå og køle af i mindst 30 minutter.

- ◆ Anbring værktøjet med mundstykket opad på en overflade, hvor det ikke kan tippe.
- ◆ Afkølingen kan fremskynde ved, at man lader værktøjet køre ved minimumstemperatur i et par minutter, før man slukker for det.

## Vedligeholdelse

Dette værktøj er beregnet til at fungere i lang tid og med minimal vedligeholdelse. For at det kan blive ved med at fungere tilfredsstillende, skal det imidlertid have en korrekt behandling og regelmæssig vedligeholdelse.

- ◆ Rengør regelmæssigt ventilationsrillerne med en ren, tør pensel.
- ◆ Brug kun mild sæbe på en fugtig klud til rengøring af værktøjet. Der må ikke trænge væske ind i værktøjet, og værktøjet må hverken helt eller delvist neddyppes i væske.

## Beskyttelse af miljøet



Separat indsamling. Dette produkt må ikke bortskaffes sammen med almindeligt husholdningsaffald.

Hvis du en dag skal udskifte dit Black & Decker produkt, eller hvis du ikke skal bruge det længere, må du ikke bortskaffe det sammen med husholdningsaffald. Dette produkt skal være tilgængeligt for separat indsamling.



Separat indsamling af brugte produkter og emballage gør det muligt at genbruge materialer. Genbrugte materialer forebygger miljøforurening og nedbringer behovet for råstoffer.

Lokale regler kan give mulighed for separat indsamling af elektriske husholdningsprodukter på kommunale lossepladser eller hos den forhandler, som du købte produktet af.

Black & Decker har en facilitet til indsamling og genbrug af Black & Decker-produkter, når deres levetid er slut. Få fordelene ved denne service ved at returnere produktet til en autoriseret tekniker, der samler værktøj sammen på vores vegne.

Du kan få oplyst den nærmeste autoriserede tekniker ved at kontakte det lokale Black & Decker-kontor på den adresse, der er angivet i denne brugsanvisning. Alternativt findes der en liste over autoriserede Black & Decker-teknikere og oplysninger om vores eftersalgsservice og kontaktpersoner på Internettet på adressen: **www.2helpU.com**

## Tekniske data

		KX1800	KX2000
Spænding	VAC	230	230
Konstruktion		Klasse I	Klasse I
Motoreffekt	W	1.800	2.000
Temperaturområde	°C	50 - 600	50 - 600
Vægt	kg	0,85	0,85

## EU overensstemmelseserklæring

KX1800 TYPE 2/KX2000 TYPE 2

Black & Decker erklærer, at disse produkter er i overensstemmelse med følgende:

98/37/EØF, 89/336/EØF, 73/23/EØF, EN 50144, EN 55014, EN 60335, EN 61000

$L_{pA}$  (lydtryk) 75 dB(A), hånd/arm vægtet vibration < 2,5 m/s<sup>2</sup>

Kevin Hewitt

Director of Consumer Engineering  
Spennymoor, County Durham DL16 6JG,  
Storbritannien  
1-10-2005

## Reserve dele / reparationer

Reserve dele kan købes hos autoriserede Black & Decker serviceværksteder, som giver forslag til omkostninger og reparerer vore produkter. Oversigt over vore autoriserede værksteder findes på internettet på vor hjemmeside **www.blackanddecker.dk** samt **www.2helpU.com**

## Garanti

Black & Decker garanterer, at produktet er fri for materielle skader og/eller fabrikationsfejl ved levering til kunden. Garantien er et tillæg til konsumentens lovlige rettigheder og påvirker ikke disse. Garantien gælder indenfor medlemsstaterne af den Europæiske Union og i det Europæiske Frihandelsområde.

Hvis et Black & Decker produkt går i stykker på grund af materiel skade og/eller fabrikationsfejl eller på anden måde ikke fungerer i overensstemmelse med specifikationen, inden for 24 måneder fra købsdatoen, påtager Black & Decker sig at reparere eller ombytte produktet med mindst muligt besvær for kunden.

Garantien gælder ikke for fejl og mangler, der er sket i forbindelse med:

- ◆ normal slitage
- ◆ uheldige følger efter unormal anvendelse af værktøjet
- ◆ overbelastning, hærværk eller overdrevent intensivt brug af værktøjet
- ◆ ulykkehændelse

Garantien gælder ikke hvis reparationer er udført af nogen anden end et autoriseret Black & Decker værksted.

For at udnytte garantien skal produktet og købskvitteringen indleveres til forhandleren eller til et autoriseret værksted, senest 2 måneder efter at fejlen opdages. For information om nærmeste autoriserede værksted: kontakt det lokale Black & Decker kontor på den adresse som er opgivet i brugsanvisningen. Liste over alle autoriserede Black & Decker serviceværksteder samt servicevilkår er tilgængelig på internettet, på adressen **[www.2helpU.com](http://www.2helpU.com)**

Gå venligst ind på vores website **[www.blackanddecker.dk](http://www.blackanddecker.dk)** for at registrere dit nye produkt og for at blive holdt ajour om nye produkter og specialtilbud. Der findes yderligere oplysninger om mærket Black & Decker og vores produktsortiment på adressen **[www.blackanddecker.dk](http://www.blackanddecker.dk)**

## Käyttötarkoitus

Tämä työkalu on suunniteltu erilaisiin lämmitystehtäviin (esimerkiksi maalin poistamiseen). Kone on tarkoitettu kotikäyttöön.

## Yleiset turvallisuutta koskevat säännöt

**Varoitus!** Kaikki ohjeet täytyy lukea. Alla olevien ohjeiden noudattamisen laiminlyönti saattaa johtaa sähköiskun, tulipaloon ja/tai vakavaan loukkaantumiseen. Seuraavassa käytetty käsite ”sähkötyökalu” käsittää verkkokäyttöisiä sähkötyökaluja (verkkojohdolla) ja akkukäyttöisiä sähkötyökaluja (ilman verkkojohtoa). SÄILYTÄ NÄMÄ OHJEET HYVIN.

### 1. Työalue

- a. **Pidä työskentelyalue puhtaana ja hyvin valaistuna.** Työpaikan epäjärjestys ja valaisemattomat työalueet voivat johtaa tapaturmiin.
- b. **Älä työskentele sähkötyökalulla räjähdysalttiissa ympäristössä, jossa on palavaa nestettä, kaasua tai pölyä.** Sähkötyökalu muodostaa kipinöitä, jotka saattavat sytyttää pölyn tai höyryt.
- c. **Pidä lapset ja sivulliset loitolla sähkötyökalua käyttäessäsi.** Voit menettää laitteesi hallinnan, huomioidsi suuntautuessa muualle.

### 2. Sähköturvallisuus

- a. **Sähkötyökalun pistotulpan tulee sopia pistorasiaan. Pistotulppaa ei saa muuttaa millään tavalla. Älä käytä mitään pistorasia-adaptoreita maadoitettujen sähkötyökalujen kanssa.** Alkuperäisessä kunnossa olevat pistotulpat ja sopivat pistorasiat vähentävät sähköiskun vaaraa.
- b. **Vältä koskettamasta maadoitettuja pintoja, kuten putkia, pattereita, liesiä tai jääkaappeja.** Sähköiskun vaara kasvaa, jos kehosi on maadoitettu.
- c. **Älä altista sähkötyökalua sateelle tai kosteudelle.** Veden tunkeutuminen sähkötyökalun sisään kasvattaa sähköiskun riskiä.
- d. **Älä käytä verkkojohtoa väärin. Älä käytä sitä sähkötyökalun kantamiseen, vetämiseen tai pistotulpan irrottamiseen pistorasiasta. Pidä johto loitolla kuumuudesta, öljystä, terävistä reunoista ja liikkuvista osista.** Vahingoittuneet tai soikeutuneet johdot kasvattavat sähköiskun vaaraa.
- e. **Käyttäessäsi sähkötyökalua ulkona, käytä ainoastaan ulkokäyttöön soveltuvaa jatkojohtoa.** Ulkokäyttöön soveltuvan jatkojohdon käyttö pienentää sähköiskun vaaraa.

### 3. Henkilöturvallisuus

- a. **Ole valpas, kiinnitä huomiota työskentelyysi ja noudata tervettä järkeä sähkötyökalua käyttäessäsi.**

**Älä käytä sähkötyökalua, jos olet väsynyt tai huumeiden, alkoholin tai lääkkeiden vaikutuksen alaisena.** Hetken tarkkaamattomuus sähkötyökalua käytettäessä saattaa johtaa vakavaan loukkaantumiseen.

- b. **Käytä suojavarusteita. Käytä aina suojalaseja.** Suojavarusteet, kuten pölynsuojajanaamari, luistamattomat turvajalkineet, kypärä ja kuulosuojaimet pienentävät, tilanteen mukaan oikein käytettyinä, loukkaantumisriskiä.
  - c. **Vältä sähkötyökalun tahatonta käynnistämistä. Varmista, että kytkin on off-asennossa ennen kytkennän tekemistä.** Onnettomuusvaara lisääntyy, jos kannat sähkötyökalua sormi käyttökytkimellä tai kytket työkalun virtajohdon pistorasiaan, kun käyttökytkin on päällä.
  - d. **Poista kaikki säätötyökalut ja ruuvitaltat, ennen kuin käynnistät sähkötyökalun.** Työkalu tai avain, joka sijaitsee laitteen pyörivässä osassa, saattaa johtaa loukkaantumiseen.
  - e. **Älä kurkosta. Seiso aina tukevasti ja tasapainossa.** Täten voit paremmin hallita sähkötyökalua odottamattomissa tilanteissa.
  - f. **Käytä tarkoitukseen soveltuvia vaatteita. Älä käytä löysiä työvaatteita tai koruja. Pidä hiukset, vaatteet ja käsineet loitolla liikkuvista osista.** Väljät vaatteet, korut ja pitkät hiukset voivat takertua liikkuviin osiin.
  - g. **Jos pölynimu- ja keräilylaitteita voidaan asentaa työkaluun, sinun pitää tarkistaa, että ne on liitetty ja että niitä käytetään oikealla tavalla.** Näiden laitteiden käyttö vähentää pölyn aiheuttamia vaaroja.
4. **Sähkötyökalujen käyttö ja hoito**
    - a. **Älä ylikuormita laitetta. Käytä kyseiseen työhön tarkoitettua sähkötyökalua.** Sopivaa sähkötyökalua käyttäen työskentelet paremmin ja varmemmin tehoalueella, jolle sähkötyökalu on tarkoitettu.
    - b. **Älä käytä sähkötyökalua, jota ei voida käynnistää ja pysäyttää virtakytkimestä.** Sähkötyökalu, jota ei enää voida käynnistää ja pysäyttää käynnistyskytkimellä, on vaarallinen ja se täytyy korjata.
    - c. **Irrota pistotulppa pistorasiasta, ennen kuin suoritat säätöjä, vaihdat tarvikkeita tai siirrä sähkötyökalun varastoitavaksi.** Nämä turvatoimenpiteet pienentävät sähkötyökalun tahattoman käynnistysriskin.
    - d. **Säilytä sähkötyökalut poissa lasten ulottuvilta, kun niitä ei käytetä. Älä anna sellaisten henkilöiden käyttää sähkötyökalua, jotka eivät tunne sitä tai jotka eivät ole lukeneet tätä käyttöohjetta.** Sähkötyökalut ovat vaarallisia, jos niitä käyttävät kokemattomat henkilöt.
    - e. **Hoida sähkötyökalusi huolella. Tarkista, että liikkuvat osat toimivat moitteettomasti, eivätkä ole puristuksessa ja että työkalussa ei ole murtuneita**

**tai vahingoittuneita osia, jotka saattaisivat vaikuttaa haitallisesti sen toimintaan. Korjauttaa mahdolliset viat ennen käyttöönottoa.** Moni tapaturma aiheutuu huonosti huolletuista laitteista.

- f. **Pidä leikkausterät terävinä ja puhtaina.** Huolellisesti hoidetut leikkaustyökalut, joiden leikkausreunat ovat teräviä, eivät tartu helposti kiinni ja niitä on helpompi hallita.
  - g. **Käytä sähkötyökaluja, tarvikkeita, vaihtotyökaluja jne. näiden ohjeiden mukaisesti ja tavalla, joka on tarkoitettu erityisesti kyseiselle sähkötyökalulle. Ota tällöin huomioon työolosuhteet ja suoritettava toimenpide.** Sähkötyökalun käyttö muuhun kuin sille määrättyyn käyttöön, saattaa johtaa vaarallisiin tilanteisiin.
- 5. Huolto**
- a. **Anna koulutettujen ammattitaitoisten henkilöiden korjata sähkötyökalusi ja hyväksy korjauksiin vain alkuperäisiä varaosia.** Täten varmistat, että sähkötyökalu säilyy turvallisena.

## Sähköturvallisuus



Koneen saa kytkeä ainoastaan maadoitettuun pistokkeeseen. Tarkista aina, että virtalähde vastaa arvokilvessä ilmoitettua jännitettä.

## Jännitteen aleneminen

Syöksyvirrat aiheuttavat lyhytkestoisia jännitteen alenemisiä. Syöttöjännitteen vaihtelut saattavat vaikuttaa muihin laitteisiin. Esimerkiksi valaistusteho saattaa alentua hetkeksi kun jiirisaha käynnistetään. Jos jännitteen syöttöjärjestelmän impedanssi on alempi kuin 0,19  $\Omega$  ei häiriötä normaalisti synny.

- ◆ Tätä laitetta ei ole tarkoitettu nuorten henkilöiden käyttöön tai vajaavaltaiten henkilöiden käyttöön ilman valvontaa. Lapsia on valvottava, etteivät he leiki koneen kanssa.
- ◆ Jos sähköjohto on vaurioitunut, sen saa vaihtaa vain valtuutetussa Black & Deckerin huoltoliikkeessä vaaratilanteiden välttämiseksi.

## Jatkojohton ja luokan 1 tuote

- ◆ Koska työkalu on luokan 1 laite, on käytettävä maadoitettua johtoa.
- ◆ Jopa 30 m:n pituista jatkojohtoa voidaan käyttää tehon vähenemättä.

## Lisäturvaohteet kuumailmapistoolille

- ◆ **Varoitus!** Tätä työkalua ei ole tarkoitettu lasten tai vähälajajaisten henkilöiden käyttöön. Lapsia on valvottava, etteivät he kosketa työkalua.

- ◆ **Varoitus!** Aseta työkalu aina seisovaan asentoon, kun työkalu ei ole käytössä.
- ◆ Jos työkalua ei käytetä huolellisesti ja oikein, seurauksena voi olla tulipalo.
- ◆ Älä peitä ilma-aukkoja älkä suutinta, sillä tämä voi vahingoittaa työkalua.
- ◆ Käytä laitetta varoen sellaisissa paikoissa, joissa on herkästi syttyviä materiaaleja.
- ◆ Älä puhalla kuumaa ilmaa kohti toisia ihmisiä tai eläimiä.
- ◆ Älä kosketa suutinta, sillä se kuumenee käytön aikana erittäin kuumaksi ja pysyy kuumana n. 30 minuuttia.
- ◆ Älä paina suutinta mitään esinettä vasten käytön aikana tai välittömästi käytön jälkeen.
- ◆ Älä työnnä mitään suuttimeen, sillä voit saada sähköiskun.
- ◆ Älä katso suuttimen sisään, kun työkalu on kytketty päälle.
- ◆ Älä käytä työkalua hiustenkuivaajana! Ilma on paljon kuumempaa kuin hiustenkuivaamassa.
- ◆ Varmista riittävä tuuletus, sillä käytössä saattaa syntyä myrkyllisiä kaasuja.
- ◆ Älä käytä työkalua kosteissa tiloissa.
- ◆ Ota huomioon se, että lämpö voi siirtyä tulenarkoihin materiaaleihin, jotka eivät ole näkyvissä. Levyjen, sisäkattojen, lattioiden ja puurakenteisten sisäseinien takana voi olla tulenarkoja materiaaleja. Tarkista tilanne ennen työn aloittamista.
- ◆ Älä käytä räjähdysalttiissa ympäristössä; älä käytä laitetta ympäristössä, jossa voi olla räjähtäviä kaasuja, nesteitä tai materiaaleja.
- ◆ Kun poistat maalia, varmista, että työalue on suljettu. Käytä erityismuotoilua, lyijypitoisen maalin pölyltä ja höyryiltä suojaavaa kasvosuojaa. Varmista, että sekä työskentelyalueella olevat että sen läheisyyteen saapuvat ihmiset käyttävät suojaa.
- ◆ Älä polta maalia, koska se voi aiheuttaa tulipalon vaaran.
- ◆ Älä anna maalin kerääntyä suuttimeen, sillä se saattaa syttyä palamaan.
- ◆ Älä kuumenna samaa kohtaa pitkään.
- ◆ Älä jätä käytössä olevaa työkalua ilman valvontaa.
- ◆ Älä jätä laitetta ilman valvontaa, kun se on kytketty päälle tai jäähtyy.
- ◆ Sammuta työkalu ja anna sen jäähtyä ennen kuin asennat mitään lisävarustetta.
- ◆ Anna työkalun jäähtyä kokonaan ennen varastointia.

## Lyijypohjaisen maalin poisto

Maalin poistamisessa on oltava erittäin varovainen. Maalilastut ja -höyryt saattavat sisältää myrkyllistä lyijyä. Ennen 1960-lukua rakennetut talot on voitu maalata lyijyä sisältävällä maalilla. Tämän maalin päällä voi olla muita maalikerroksia. Mikäli suu tai kädet joutuvat kosketuksiin lyijyä sisältävän maalin kanssa, voi tästä seurata vahinkoja.

Altistuminen alhaiselle lyijymäärälle voi aiheuttaa parantumattomia vahinkoja aivoihin ja hermojärjestelmään. Lyijymyrkytyksen vaara on suurin lapsilla ja raskaana olevilla naisilla.

Ennen hiomisen aloittamista on tärkeää selvittää, sisältääkö poistettava maali lyijyä. Tämä voidaan selvittää testipakkauksella tai ottamalla yhteyttä alan ammattilaiseen (esim. maalari, tms.). Älä syö, juo tai tupakoi työskentelyalueella, joka voi olla lyijyn saastuttama. Vain ammattilaiset saavat poistaa lyijypitoista maalia. Lyijypitoista maalia ei saa poistaa kuumailmapistoolilla.

## Yleiskuvasu

1. Virrankatkaisija
2. Lämmön säätelyn nappi
3. Suutin

## Kokoaminen

**Varoitus!** Ennen kokoamista varmista, että kone on pois päältä eikä sitä ole liitetty virtalähteeseen.

## Tarvikkeen kiinnittäminen

Paikalliselta jälleenmyyjältä saa tarvikkeita.

- Kartiosuutin Keskittää ilmavirtauksen pienemmälle alueelle
  - Kalanpyrstö Levittää ilmavirtauksen laajemmalle alueelle
  - Lusikkaosa Putkien juottamiseen
  - Lasinsuojus Tarkoitettu lasin suojaamiseen maalin poistamisen yhteydessä
  - Kaavin Maalin ja lakan poistamiseen
- ◆ Asenna tarvikkeen kytkentäkappale suuttimen (3) päälle.

**Varoitus!** Varmista, että työkalu on sammutettu ja jäähtynyt ennen minkään tarvikkeen asennusta.

## Käyttö

**Varoitus!** Anna koneen käydä omaan tahtiinsa. Älä ylikuormita sitä.

## Lämpötilan säätäminen (kuva A)

- ◆ Voit nostaa lämpötilan asetusta kääntämällä lämmön säätönuppia (2) myötäpäivään.
- ◆ Voit pienentää lämpötilan asetusta kääntämällä lämmön säätönuppia vastapäivään.

## Käynnistys ja pysäytys

- ◆ Käynnistä kone painamalla virrankatkaisija (1) asentoon I.
- ◆ Sammuta kone painamalla virrankatkaisija (1) asentoon O.

## Työkalun käyttäminen

- ◆ Anna työkalun kuumentua muutaman sekunnin ajan ennen käyttöä.
- ◆ Suuttimesta voi tulla hieman savua ensimmäisellä käyttökerralla. Tämä on täysin normaalia, ja savun määrä vähenee pian.
- ◆ Käytä pientä lämpötila-asetusta, kun kuivaat maalia tai lakkaa, poistat tarroja, kutistat eristeletkuja ja sulatat jäätyneitä putkia.
- ◆ Käytä keskilämpötila-asetusta muovien hitsaamiseen, muoviputkien taittamiseen sekä tiukkojen muttereiden ja ruuvien löysentämiseen.
- ◆ Käytä suurta lämpötila-asetusta maalin ja lakan poistamiseen sekä putkiston yhdekohtien juottamiseen.
- ◆ Jos olet epävarma työkalun käyttämisestä tietyllä materiaalilla, käytä ensin pientä lämpötila-asetusta ja testaa toiminta jätemateriaalin palasella.

## Käyttö ilman käsiä (kuva B)

Työkalussa on telineet (4), jotka helpottavat käyttöä ilman käsiä.

- ◆ Aseta työkalu suutin ylöspäin sellaiselle pinnalle, jolta työkalu ei voi pudota.
- ◆ Kiinnitä johto niin, ettei se nykäise työkalua pois telineestä.

**Varoitus!** Suuntaa työkalu aina pois itsestäsi ja muista henkilöistä. Älä koske suuttimeen. Varo, ettet pudota materiaalia suuttimeen.

## Maalin poisto

- ◆ Suuntaa kuuma ilma poistettavaan maaliin.
- ◆ Älä polta maalia. Pidä suutin vähintään 25 mm:n etäisyydellä pinnasta.
- ◆ Kun maali pehmenee, raaputa se pois kaapimella. Kaavi pehmennyt maali pois heti ennen kuin se ehtii kuivua uudelleen.
- ◆ Kaavi aina puun syiden mukaisesti, kun tämä on mahdollista.
- ◆ Älä anna maalin tai kuona-aineen kertyä kaapimeen.
- ◆ Kun kaavit pystysuoraa pintaa, kaavi ylhäältä alaspäin estääksesi maalin putoamisen suuttimeen.
- ◆ Kun poistat maalia lasin läheltä, suojaa lasi kuumuudelta asianmukaisin toimin.
- ◆ **Varoitus!** Älä yritä poistaa maalia metallikehyksisistä ikkunoista.
- ◆ Hävitä kaikki maalijätteet turvallisesti ja varmista, että työskentelyalue on puhdistettu huolellisesti työn loputtua.

## Jäähdyttäminen

Työkalun suutin kuumenee käytön aikana erittäin voimakkaasti. Kytke laite pois päältä ja anna sen jäähtyä ainakin 30 minuutin ajan.

- ◆ Aseta työkalu suutin ylöspäin sellaiselle pinnalle, jolta työkalu ei voi pudota.
- ◆ Jäähdytysajan lyhentämiseksi voidaan laite kytkeä päälle alimmalla lämpötila-asetuksella ja antaa sen käydä muutaman minuutin ajan ennen sammuttamista.

## Huolto

Työkalu on suunniteltu toimimaan mahdollisimman pitkään aikaa mahdollisimman vähällä huollolla. Oikealla huollolla ja säännöllisellä puhdistuksella kone säilyttää suorituskykynsä.

- ◆ Puhdista ilmanvaihtoaukot säännöllisesti puhtaalla, kuivalla siveltimeillä.
- ◆ Käytä koneen puhdistamiseen vain mietoa pesuainetta ja kostutettua kangasta. Älä päästä työkalun sisään nestettä. Älä koskaan upota koneen mitään osaa nesteeseen.

## Ympäristö



Erillinen keräys. Tätä tuotetta ei saa hävittää normaalin kotitalousjätteen kanssa.

Kun Black & Decker -koneesi on käytetty loppuun, älä hävitä sitä kotitalousjätteen mukana. Tämä tuote on kerättävä erikseen.



Käytettyjen tuotteiden ja pakkausten erillinen keräys mahdollistaa materiaalien kierrätyksen ja uudelleenkäytön. Kierrätettyjen materiaalien uudelleenkäyttö auttaa ehkäisemään ympäristön saastumisen ja vähentää raaka-aineiden kysyntää.

Paikallisten säännösten mukaisesti on mahdollista viedä kotitalouksien sähkölaitteet kuntien kaatopaikoille tai jättää ne vähittäismyyjälle ostettaessa uusi tuote.

Black & Decker tarjoaa mahdollisuuden Black & Decker –tuotteiden keräykseen ja kierrätykseen sen jälkeen, kun ne on poistettu käytöstä. Jotta voisit hyötyä tästä palvelusta, palauta laitteesi johonkin valtuutettuun huoltoliikkeeseen, joka kerää laitteet meidän puolestamme.

Voit tarkistaa lähimmän valtuutetun huoltoliikkeen sijainnin ottamalla yhteyden Black & Deckerin toimistoon, joka sijaitsee tässä käsikirjassa annetussa osoitteessa. Lista valtuutetuista Black & Decker -huoltoliikkeistä sekä yksityiskohtaiset tiedot korjauspalvelustamme ovat vaihtoehtoisesti saatavilla Internetissä, osoitteessa [www.2helpU.com](http://www.2helpU.com)

## Tekniset tiedot

		KX1800	KX2000
Jännite	V <sub>AC</sub>	230	230
Rakenne		Luokka I	Luokka I
Ottoteho	W	1.800	2.000
Lämpötila-alue	°C	50 - 600	50 - 600
Paino	kg	0,85	0,85

## EU:n yhdenmukaisuusilmoitus

KX1800 TYPE 2/KX2000 TYPE 2

Black & Decker vakuuttaa näiden tuotteiden olevan seuraavien standardien vaatimusten mukaisia:

98/37/EC, 89/336/EEC, 73/23/EEC, EN 50144, EN 55014, EN 60335, EN 61000

L<sub>PA</sub> (äänenpaine) 75 dB(A), käden/käsivarren painotettu tärinä < 2,5 m/s<sup>2</sup>

Kevin Hewitt  
Director of Consumer Engineering  
Spennymoor, County Durham DL16 6JG,  
Iso-Britannia  
1-10-2005

## Korjaukset / varaosat

Mikäli koneeseen tulee vikaa, jätä se aina Black & Deckerin valtuuttamaan huoltoliikkeeseen korjattavaksi (tiedot löytyvät uusimmasta tuoteluettelostamme tai ottamalla yhteyttä Black & Decker Oy:hyn). Varaosia myyvät valtuutetut Black & Deckerin huoltoliikkeet, ja heiltä voi myös pyytää kustannusarvion koneen korjauksesta.

Tiedot valtuutetuista huoltoliikkeistä löytyvät myös internetistä osoitteesta [www.2helpU.com](http://www.2helpU.com) sekä kotisivuiltamme [www.blackanddecker.fi](http://www.blackanddecker.fi)

## Takuu

Black & Decker Oy takaa, ettei koneessa ollut materiaali- ja/tai valmistusvikaa silloin, kun se toimitettiin ostajalle. Takuu on lisäys kuluttajan laillisiin oikeuksiin eikä vaikuta niihin. Takuu on voimassa Euroopan Unionin jäsenmaissa ja Euroopan vapaakauppa-alueella (EFTA).

Mikäli Black & Decker -kone hajoaa materiaali- ja/tai valmistusvirheen tai teknisten tietojen epätarkkuuden vuoksi 24 kk:n kuluessa ostopäivästä, Black & Decker korjaa koneen ilman kustannuksia ostajalle tai vaihtaa sen uuteen Black & Decker Oy:n valinnan mukaan.

Takuu ei kata vikoja, jotka johtuvat koneen

- ◆ normaalista kulumisesta
- ◆ ylikuormituksesta, virheellisestä käytöstä tai hoidosta
- ◆ vahingoittamisesta vieraalla esineellä tai aineella tai onnettomuustapauksessa.

Takuu ei ole voimassa, mikäli konetta on korjannut joku muu kuin Black & Deckerin valtuuttama huoltoliike.

Edellytyksenä takuun saamiselle on, että ostaja jättää koneen ja ostokuitin jälleenmyyjälle tai valtuutetulle huoltoliikkeelle viimeistään 2 kuukauden kuluessa vian ilmenemisestä. Tiedot valtuutetuista huoltoliikkeistä saa ottamalla yhteyttä Black & Decker Oy:hyn sekä internetistä osoitteesta **www.2helpU.com**, jossa on myös takuehdot.

Voit vieraillla verkkosivullamme **www.blackanddecker.fi** rekisteröidäksesi uuden Black & Decker-tuotteesi ja saadaaksesi tietoa uusista tuotteista ja erikoistarjouksista. Saat lisätietoja Black & Deckerin tavaramerkistä ja tuotevalikoimastamme osoitteesta **www.blackanddecker.fi**

## Ενδεδειγμένη χρήση

Αυτό το εργαλείο έχει σχεδιαστεί για διάφορες εφαρμογές θέρμανσης (π.χ. αποφλοίωση βαφής). Αυτό το εργαλείο προορίζεται μόνο για ερασιτεχνική χρήση.

## Γενικοί κανόνες ασφαλείας

**Προειδοποίηση!** Διαβάστε όλες τις υποδείξεις. Η μη τήρηση όλων των παρακάτω υποδείξεων μπορεί να προκαλέσει ηλεκτροπληξία, πυρκαγιά ή/και σοβαρούς τραυματισμούς. Ο χαρακτηρισμός “ηλεκτρικό εργαλείο” που χρησιμοποιείται στις παρακάτω προειδοποιητικές υποδείξεις αφορά ή το εργαλείο που συνδέεται στην πρίζα (με καλώδιο) ή το εργαλείο που λειτουργεί με μπαταρία (χωρίς καλώδιο). ΦΥΛΑΞΤΕ ΑΥΤΕΣ ΤΙΣ ΟΔΗΓΙΕΣ.

### 1. Χώρος εργασίας

- a. **Διατηρείτε το χώρο που εργάζεστε καθαρό και καλά φωτισμένο.** Η αταξία στο χώρο που εργάζεστε και τα σημεία χωρίς καλό φωτισμό μπορεί να οδηγήσουν σε ατυχήματα.
6. **Μη χρησιμοποιείτε τα ηλεκτρικά εργαλεία σε περιβάλλον όπου υπάρχει κίνδυνος έκρηξης, π.χ. παρουσία εύφλεκτων υγρών, αερίων ή σκόνης.** Τα ηλεκτρικά εργαλεία μπορεί να δημιουργήσουν σπινθηρισμό ο οποίος μπορεί να αναφλέξει τη σκόνη ή τις αναθυμιάσεις.
- γ. **Όταν χρησιμοποιείτε το ηλεκτρικό εργαλείο, κρατάτε τα παιδιά και τα υπόλοιπα άτομα μακριά από το χώρο που εργάζεστε.** Σε περίπτωση που άλλα άτομα αποσπάσουν την προσοχή σας μπορεί να χάσετε τον έλεγχο του μηχανήματος.

### 2. Ασφαλής χρήση του ηλεκτρικού ρεύματος

- a. **Το φως του καλωδίου του ηλεκτρικού εργαλείου πρέπει να ταιριάζει στην αντίστοιχη πρίζα. Δεν επιτρέπεται με κανένα τρόπο η μετασκευή του φως. Μη χρησιμοποιείτε προσαρμοστικά φως στα γειωμένα ηλεκτρικά εργαλεία.** Τα φως που δεν έχουν υποστεί τροποποιήσεις και οι κατάλληλες πρίζες μειώνουν τον κίνδυνο ηλεκτροπληξίας.
6. **Αποφεύγετε την επαφή του σώματός σας με γειωμένες επιφάνειες όπως σωλήνες, θερμαντικά σώματα (καλοριφέρ), κουζίνες και ψυγεία.** Όταν το σώμα σας είναι γειωμένο, αυξάνεται ο κίνδυνος ηλεκτροπληξίας.
- γ. **Μην εκθέτετε το ηλεκτρικό εργαλείο στη βροχή ή την υγρασία.** Η δεισδυση νερού στο ηλεκτρικό εργαλείο αυξάνει τον κίνδυνο ηλεκτροπληξίας.
- δ. **Μην κακομεταχειρίζεστε το καλώδιο. Μη χρησιμοποιήσετε ποτέ το καλώδιο για να μεταφέρετε, να τραβήξετε ή να αποσυνδέσετε το εργαλείο από την πρίζα. Κρατάτε το καλώδιο μακριά από υψηλές θερμοκρασίες, λάδια, κοφτερές ακμές ή κινούμενα εξαρτήματα.** Τυχόν χαλασμένα ή μπερδεμένα καλώδια αυξάνουν τον κίνδυνο ηλεκτροπληξίας.

- ε. **Όταν χρησιμοποιείτε το ηλεκτρικό εργαλείο σε εξωτερικούς χώρους, να χρησιμοποιείτε πάντοτε προεκτάσεις (μπαλαντέζες) που έχουν εγκριθεί για χρήση σε εξωτερικούς χώρους.** Η χρήση προεκτάσεων εγκεκριμένων για εργασία σε εξωτερικούς χώρους μειώνει τον κίνδυνο ηλεκτροπληξίας.

### 3. Ασφάλεια προσώπων

- a. **Όταν χρησιμοποιείτε το ηλεκτρικό εργαλείο, να είστε προσεκτικοί, να δίνετε προσοχή στην εργασία που κάνετε και να επιστρατεύετε την κοινή λογική. Μη χρησιμοποιείτε το ηλεκτρικό εργαλείο όταν είστε κουρασμένοι ή όταν βρίσκεστε υπό την επήρεια ναρκωτικών, οινοπνεύματος ή φαρμάκων.** Μια στιγμιαία απροσεξία κατά το χειρισμό του ηλεκτρικού εργαλείου μπορεί να οδηγήσει σε σοβαρούς τραυματισμούς.
6. **Να χρησιμοποιείτε εξοπλισμό ασφαλείας. Να φοράτε πάντα προστατευτικά γυαλιά.** Ο κίνδυνος τραυματισμών μειώνεται όταν χρησιμοποιείτε εξοπλισμό ασφαλείας, όπως μάσκα προστασίας από σκόνη, αντιολισθητικά παπούτσια ασφαλείας, κράνη ή ωτασπίδες, ανάλογα με τις συνθήκες εργασίας.
- γ. **Αποφεύγετε την αβέλητη θέση σε λειτουργία του ηλεκτρικού εργαλείου. Βεβαιωθείτε, ότι ο διακόπτης λειτουργίας βρίσκεται στη θέση “OFF” πριν συνδέσετε το ηλεκτρικό εργαλείο στην πρίζα.** Αν μεταφέρετε το ηλεκτρικό εργαλείο έχοντας το δάκτυλό σας πάνω στο διακόπτη λειτουργίας ή αν συνδέσετε το ηλεκτρικό εργαλείο στην πρίζα όταν ο διακόπτης λειτουργίας βρίσκεται στη θέση “ON”, αυτό μπορεί να οδηγήσει σε σοβαρούς τραυματισμούς.
- δ. **Πριν θέσετε το ηλεκτρικό εργαλείο σε λειτουργία, αφαιρέστε τυχόν εργαλεία ή κλειδιά ρύθμισης.** Ένα εργαλείο ή κλειδί συναρμολογημένο στο περιστρεφόμενο εξάρτημα ενός ηλεκτρικού εργαλείου μπορεί να προκαλέσει τραυματισμούς.
- ε. **Μην τεντώνετε. Φροντίστε πάντοτε να έχετε την κατάλληλη στάση και να διατηρείτε την ισορροπία σας.** Αυτό σας επιτρέπει τον καλύτερο έλεγχο του ηλεκτρικού εργαλείου σε περιπτώσεις απροσδόκων καταστάσεων.
- στ. **Φοράτε κατάλληλη ενδυμασία εργασίας. Μη φοράτε φαρδιά ρούχα ή κοσμήματα. Κρατάτε τα μαλλιά, τα ενδύματα και τα γάντια σας μακριά από τα κινούμενα εξαρτήματα.** Τα φαρδιά ρούχα, τα κοσμήματα και τα μακριά μαλλιά μπορεί να εμπλακούν στα κινούμενα εξαρτήματα.
- ζ. **Αν προβλέπονται διατάξεις απαγωγής και συλλογής της σκόνης, βεβαιωθείτε ότι είναι συνδεδεμένες και ότι χρησιμοποιούνται σωστά.** Η χρήση τέτοιων διατάξεων μειώνει τους κινδύνους που προέρχονται από τη σκόνη.



4. Χρήση και συντήρηση του ηλεκτρικού εργαλείου
- α. **Μην υπερφορτώνετε το ηλεκτρικό εργαλείο.**  
Χρησιμοποιείτε για την εκάστοτε εργασία σας το ηλεκτρικό εργαλείο που προορίζεται γι' αυτήν. Με το κατάλληλο ηλεκτρικό εργαλείο εργάζεσθε καλύτερα και ασφαλέστερα στην ονομαστική περιοχή ισχύος του.
- β. **Μη χρησιμοποιήσετε ποτέ ένα ηλεκτρικό εργαλείο του οποίου ο διακόπτης λειτουργίας είναι χαλασμένος.** Ένα ηλεκτρικό εργαλείο του οποίου η λειτουργία δεν μπορεί να ελεγχθεί με το διακόπτη είναι επικίνδυνο και πρέπει να επισκευαστεί.
- γ. **Βγάλτε το φως από την πρίζα πριν διεξάγετε κάποια εργασία ρύθμισης στο ηλεκτρικό εργαλείο, πριν αλλάξετε κάποιο εξάρτημα ή όταν πρόκειται να το αποθηκεύσετε.** Αυτά τα προληπτικά μέτρα ασφαλείας μειώνουν τον κίνδυνο να τεθεί το μηχάνημα αθέλητα σε λειτουργία.
- δ. **Να φυλάτε τα ηλεκτρικά εργαλεία που δεν χρησιμοποιείτε μακριά από παιδιά. Μην αφήνετε άτομα που δεν είναι εξοικειωμένα με το ηλεκτρικό εργαλείο ή που δεν έχουν διαβάσει αυτές τις οδηγίες χρήσης να το χρησιμοποιήσουν.** Τα ηλεκτρικά εργαλεία είναι επικίνδυνα όταν χρησιμοποιούνται από άπειρα άτομα.
- ε. **Να συντηρείτε τα ηλεκτρικά εργαλεία. Ελέγξτε εάν τα κινούμενα μέρη είναι σωστά ευθυγραμμισμένα ή αν έχουν μπλοκάρει, εάν έχουν σπάσει κομμάτια και εάν πληρούνται όλες οι υπόλοιπες συνθήκες που ενδεχομένως να επηρεάσουν τη σωστή λειτουργία του εργαλείου. Δώστε τυχόν χαλασμένα εξαρτήματα του ηλεκτρικού εργαλείου για επισκευή πριν το χρησιμοποιήσετε πάλι.** Η ανεπαρκής συντήρηση των ηλεκτρικών εργαλείων αποτελεί αιτία πολλών ατυχημάτων.
- στ. **Διατηρείτε τα κοπτικά εργαλεία κοφτερά και καθαρά.** Τα κοπτικά εργαλεία με αιχμηρά κοπτικά άκρα που συντηρούνται σωστά έχουν λιγότερες πιθανότητες να μπλοκάρουν και ελέγχονται ευκολότερα.
- ζ. **Να χρησιμοποιείτε τα ηλεκτρικά εργαλεία, τα εξαρτήματα και τα άκρα των εργαλείων κλπ σύμφωνα με τις παρούσες οδηγίες καθώς και όπως προβλέπεται για τον κάθε τύπο μηχανήματος, λαμβάνοντας υπόψη σας τις συνθήκες εργασίας και την εργασία που θέλετε να εκτελέσετε.** Η χρήση του ηλεκτρικού εργαλείου για άλλες εκτός από τις προβλεπόμενες εργασίες μπορεί να δημιουργήσει επικίνδυνες καταστάσεις.
5. Σέρβις
- α. **Το σέρβις του ηλεκτρικού σας εργαλείου πρέπει να αναλαμβάνει έμπειρος τεχνικός που θα χρησιμοποιεί μόνο γνήσια ανταλλακτικά.** Ετσι εξασφαλίζεται η διατήρηση της ασφάλειας του ηλεκτρικού εργαλείου.

## Ασφαλής χρήση του ηλεκτρικού ρεύματος



Αυτό το προϊόν πρέπει να συνδέεται σε τροφοδοσία με γείωση. Ελέγχετε πάντοτε αν η τάση τροφοδοσίας αντιστοιχεί σε αυτήν που αναγράφεται στην πινακίδα στοιχείων του εργαλείου.

## Πτώσης τάσης

Το ρεύμα εισροής μπορεί να προκαλέσει βραχυπρόθεσμες πτώσεις τάσης. Κάτω από δυσμενείς συνθήκες παροχής ρεύματος, μπορεί να επηρεαστεί και άλλος εξοπλισμός. Για παράδειγμα, ο τεχνητός φωτισμός θα δείξει μια πτώση όταν το μηχάνημα τίθεται σε λειτουργία. Αν η αντίσταση συστήματος της παροχής ρεύματος είναι μικρότερη από 0,19 Ω, οι πιθανότητες είναι να μην υπάρχουν διαταραχές.

- Αυτό το εργαλείο δεν πρέπει να χρησιμοποιηθεί από νέους ή ασταθές άτομα χωρίς επιτήρηση. Τα παιδιά πρέπει να επιτηρηθούν για να βεβαιωθείτε ότι δεν παίζουν με το εργαλείο.
- Αν το καλώδιο ρεύματος έχει υποστεί βλάβη, πρέπει να αντικατασταθεί από τον κατασκευαστή ή από εξουσιοδοτημένο Κέντρο Επισκευών Black & Decker ώστε να αποφύγετε τους κινδύνους.

## Καλώδια επέκτασης & προϊόν κατηγορίας 1.

- Όταν γειώνετε το εργαλείο σας, πρέπει να χρησιμοποιηθεί ένα τρικλωνο καλώδιο κατασκευής κατηγορίας 1.
- Έως 30 m μπορεί να χρησιμοποιηθεί χωρίς απώλεια ισχύος.

## Συμπληρωματικές οδηγίες ασφαλείας για πιστόλια θερμού αέρα

- **Προειδοποίηση!** Αυτό το εργαλείο δεν προορίζεται για χρήση από νέους ή αδύναμα άτομα. Πρέπει να προσέχετε τα παιδιά για να είστε βέβαιοι ότι δεν θα παίξουν με το μηχάνημα.
- **Προειδοποίηση!** Τοποθετήστε πάντα το εργαλείο στη θέση στήριξης όταν δεν το χρησιμοποιείτε.
- Η απρόσεκτη χρήση του εργαλείου μπορεί να προκαλέσει φωτιά, οπότε πάντα να χρησιμοποιείται το εργαλείο με προσοχή.
- Μην παρεμποδίζετε τις σκισμές εισαγωγής του αέρα ούτε το στόμιο εξαγωγής, αφού έτσι μπορεί να συγκεντρωθεί υπερβολική θερμότητα, που θα έχει ως αποτέλεσμα τη βλάβη του εργαλείου.
- Προσέξτε όταν χρησιμοποιείτε τη συσκευή σε μέρη όπου υπάρχουν εύφλεκτα υλικά.
- Μην κατευθύνετε το θερμό αέρα σε άλλα άτομα.
- Μην αγγίζετε το στόμιο, το οποίο θερμαίνεται κατά τη διάρκεια της χρήσης και παραμένει θερμό έως και 30 λεπτά μετά τη χρήση.

- ♦ Μην ακουμπάτε το στόμιο επάνω σε άλλα αντικείμενα κατά τη χρήση ή αμέσως μετά από αυτήν.
- ♦ Μην τοποθετείτε αντικείμενα μέσα στο στόμιο, αφού έτσι μπορεί να πάθετε ηλεκτροπληξία.
- ♦ Μην κοιτάζετε μέσα στο στόμιο όταν το εργαλείο είναι ενεργοποιημένο.
- ♦ Μην το χρησιμοποιείτε ως πιστολάκι για τα μαλλιά! Η θερμοκρασία του αέρα είναι πολύ πιο μεγάλη από τα πιστολάκια για τα μαλλιά.
- ♦ Εξασφαλίστε τον επαρκή αερισμό κατά τη χρήση, αφού μπορεί να προκληθούν τοξικές αναθυμιάσεις.
- ♦ Μην χρησιμοποιείτε το εργαλείο σε υγρό περιβάλλον.
- ♦ Προσέχετε γιατί η θερμότητα μπορεί να μεταδοθεί σε εύφλεκτα υλικά που δεν βρίσκονται στην ορατότητά σας. Τα κενά πίσω από διαχωριστικούς τοίχους, οροφές και κοιλότητες πατωμάτων και τοίχων σε σπίτια χτισμένα με πλαιοίσα ξυλιάς μπορεί να περιέχουν εκλεκτά υλικά. Εκλέξτε πριν ξεκινήσετε την εργασία.
- ♦ Μην χρησιμοποιείτε σε εκρηκτική ατμόσφαιρα; π.χ. Μην χρησιμοποιείται το εργαλείο σε σημεία όπου μπορεί να υπάρχει παρουσία εύφλεκτων ατμών ή κοντά σε εύφλεκτα υλικά.
- ♦ Όταν κάνετε αφαίρεση βαφής, να βεβαιώνεστε ότι ο χώρος εργασίας είναι κλειστός. Φορέστε μάσκα σκόνης ειδικά σχεδιασμένη για προστασία έναντι της σκόνης και των αναθυμιάσεων από χρώματα με μόλυβδο και βεβαιωθείτε ότι τα άτομα που βρίσκονται, ή εισέρχονται, στο χώρο εργασίας είναι επίσης προστατευμένα.
- ♦ Μην καίτε τη βαφή, μπορεί να υπάρχει κίνδυνος πυρκαγιάς.
- ♦ Μην επιτρέψετε την προσκόλληση βαφής στο στόμιο, αφού μετά από μικρό χρονικό διάστημα μπορεί να αναφλεγεί.
- ♦ Μην το εφαρμόζετε τη θερμότητα στο ίδιο σημείο για μεγάλο χρονικό διάστημα.
- ♦ Μην αφήνετε το εργαλείο από την προσοχή σας κατά τη χρήση.
- ♦ Μην αφήνετε το μηχανήμα από την προσοχή σας, όταν είναι αναμμένο.
- ♦ Σβήστε το εργαλείο και αφήστε το να κρυώσει πριν τοποθετήσετε κάποιο αξεσουάρ.
- ♦ Αφήστε το εργαλείο να κρυώσει εντελώς πριν το αποθηκεύσετε.

### Αποφλοίωση βαφής με βάση τον μόλυβδο

Πρέπει να λαμβάνετε μεγάλη προσοχή κατά την αποφλοίωση βαφής. Η αποφλοιωμένη βαφή, τα υπολείμματα και οι ατμοί της βαφής μπορεί να περιέχουν μόλυβδο, ο οποίος είναι δηλητηριώδης. Τα κτίρια κατασκευής πριν το 1960, ενδέχεται να έχουν βαφτεί στο παρελθόν με χρώματα που περιέχουν μόλυβδο. Το χρώμα ενδέχεται να έχει καλυφθεί με πρόσθετες στρώσεις μπογιάς. Από την απόθεση στην επιφάνεια και μετά, η επαφή του χεριού με το στόμα μπορεί να οδηγήσει στην κατάποση μολύβδου.

Η έκθεση ακόμα και σε χαμηλά επίπεδα μολύβδου μπορεί να επιφέρει ανεπανόρθωτες βλάβες στον εγκέφαλο και στο νευρικό σύστημα. Από τον κίνδυνο δηλητηρίασης από μόλυβδο πρέπει να προφυλάσσονται κυρίως τα παιδιά και οι έγκυες. Πριν ξεκινήσετε την εργασία σας, είναι σημαντικό να γνωρίζετε αν το χρώμα που θα αποφλοιώνετε περιέχει μόλυβδο. Αυτό διαπιστώνεται χρησιμοποιώντας ένα κιτ ελέγχου ή συμβουλευόμενος έναν επαγγελματία διακοσμητή. Μην καπνίζετε, τρωτέ η πίνετε στο χώρο εργασίας η οποία είναι η μπορεί να είναι μολυσμένη από το μόλυβδο. Οι βαφές με βάση το μόλυβδο πρέπει να αφαιρούνται μόνο από επαγγελματίες και δεν πρέπει να χρησιμοποιηθεί πιστόλι θερμού αέρα.

### Χαρακτηριστικά

1. Διακόπτης on/off
2. Κομπι ελέγχου θερμότητας
3. Στόμιο

### Συναρμολογήση

**Προειδοποίηση!** Πριν από τη συναρμολόγηση, βεβαιωθείτε ότι το εργαλείο είναι σθηστό και ότι το φινι του δεν είναι στην πρίζα.

### Τοποθέτηση ενός αξεσουάρ

Μπορείτε να προμηθευθείτε μια επιλεγμένη γκάμα εργαλείων από τον τοπικό σας αντιπρόσωπο.

- Κωνικό στόμιο Συγκεντρώνει τον ατμό σε μια μικρότερη ζώνη.
- Ουρά ψαριού Απλώνει τον ατμό σε μια φαρδύτερη ζώνη
- Αντανάκλαση για κόλληση Για συγκόλληση σωλήνων
- Προστατευτικό γυαλίων Για την προστασία γυαλίων κατά την αποφλοίωση βαφής
- ύστρα Για την αφαίρεση τις αποφλοιωμένης βαφής και λάκας
- ♦ Τοποθετήστε το κομμάτι σύνδεσης του αξεσουάρ πάνω στο στόμιο (3).

**Προειδοποίηση!** Σιγουρευτείτε ότι το εργαλείο είναι σθημένο και κρύο πριν τοποθετήσετε οποιοδήποτε αξεσουάρ.

### Χρήση

**Προειδοποίηση!** Αφήστε το εργαλείο να λειτουργήσει με το δικό του ρυθμό. Μην το υπερφορτώνετε.

### Ρύθμιση της θερμοκρασίας (εικ. Α)

- ♦ Για να διευρύνετε την ρύθμιση θερμοκρασίας, γυρίστε το κομπι ελέγχου θερμότητας (2) δεξιόστροφα.

- ♦ Για να μειώσετε την ρύθμιση θερμοκρασίας, γυρίστε το κομπιμί ελέγχου θερμοότητας αριστερότροφα.

### Θέση εντός και εκτός λειτουργίας

- ♦ Για να ανάψετε το εργαλείο, βάλτε το διακόπτη on/off (1) στη θέση I.
- ♦ Για να σβήσετε το εργαλείο, βάλτε το διακόπτη on/off στη θέση O.

### Χρησιμοποιώντας το εργαλείο

- ♦ Επιτρέψτε στο εργαλείο να ζεσταθεί για λίγα δευτερόλεπτα πριν τη χρήση.
- ♦ Την πρώτη φορά μπορεί να βγει λίγο καπνό από το στόμιο. Αυτό είναι φυσιολογικό και σύντομα ελαττώνεται.
- ♦ Χρησιμοποιήστε μια χαμηλή ρύθμιση θερμοκρασίας για αποξήρανση βαφής και λακάς, αφαίρεση αυτοκόλλητων, συρρίκνωση μονωτικών σωλήνων, και ξεπάγωμα παγωμένων σωλήνων.
- ♦ Χρησιμοποιήστε μια μεσαία ρύθμιση θερμοκρασίας για συγκόλληση πλαστικών, κάμψη πλαστικών σωλήνων, και χαλάρωση πολύ σφιχτών παξιμαδιών και βιδών.
- ♦ Χρησιμοποιήστε μια υψηλή ρύθμιση θερμοκρασίας για αφαίρεση βαφής και λάκας, και συγκόλληση υδραυλικών σωλήνων.
- ♦ Εάν δεν είστε σίγουροι για τη χρήση του εργαλείου πάνω σε κάποιο ιδιαίτερο υλικό, αρχίστε με μια χαμηλή ρύθμιση θερμοκρασίας και κάντε μια δοκιμή πάνω σε κομμάτι του υλικού.

### Χρήση χωρίς χέρια (εκκ. Β)

Το εργαλείο έχει βάσεις (4) για τη ευκόλυση της χρήσης χωρίς χέρια.

- ♦ Τοποθετήστε το εργαλείο με το στόμιο προς τα επάνω σε μια επιφάνεια όπου δεν μπορεί να αναποδογυριστεί.
- ♦ Στερεώστε το καλώδιο, ώστε να αποκλείσετε το ενδεχόμενο να τραβηχτεί το εργαλείο από τον πάγκο.

**Προειδοποίηση!** Πάντα στρέψετε το εργαλείο μακριά από εσάς ή άλλα άτομα. Μην αγγίζετε το στόμιο. Προσέξτε να μην πέσουν άλλα υλικά μέσα στο στόμιο.

### Αποφλοίωση βαφής

- ♦ Στρέψτε το ζεστό αέρα στο μέρος εργασίας για να ζεσταίνεται τη βαφή.
- ♦ Μην καίτε τη βαφή. Κράτιστε το στόμιο τουλάχιστον 25 mm από την επιφάνεια.
- ♦ Όταν μαλακώσει η βαφή, αφαιρέστε την ξύνοντας με μια σπάτουλα. ♦υστε άμεσα της μαλακιά βαφή αλλιώς θα σκληρύνει ξανά.
- ♦ ♦ύστε με την επιφάνεια του ξύλου όπου είναι δυνατόν.
- ♦ Μην αφήστε να μαζευτεί η βαφή και τα υπολείμματα πάνω στη ξύστρα.

- ♦ Όταν ξύνετε από κάθετη θέση, ξυστέ προς τα κάτω για να αποφύγετε τη πτώση τις βαφής μέσα στο στόμιο.
- ♦ Όταν αποφλοιώνετε βαφή από επιφάνειες κοντά σε γυαλί, πάρτε τα απαραίτητα μέτρα για να προστατέψτε το γυαλί από τη θερμότητα.
- ♦ **Προειδοποίηση!** Μην προσπαθήσετε να αποφλοιώσετε βαφή από μεταλλικά κουφώματα παραθύρων.
- ♦ Απορρίψτε όλα τα υπολείμματα βαφής με ασφάλεια και να βεβαιώνετε ότι ο χώρος εργασίας καθαρίζεται καλά μετά την εργασία.

### Ψύξη

Κατά τη χρήση, το στόμιο του εργαλείου θερμαίνεται πάρα πολύ. Μετά το σβήσιμο, αφήστε το εργαλείο να κρυώσει τουλάχιστον για 30 λεπτά.

- ♦ Τοποθετήστε το εργαλείο με το στόμιο προς τα επάνω σε μια επιφάνεια όπου δεν μπορεί να αναποδογυριστεί.
- ♦ Για να επιταχύνετε το χρόνο ψύξης, χαμηλώστε την ρύθμιση θερμοκρασίας για λίγα λεπτά πριν σβήσετε το εργαλείο.

### Συντήρηση

Το εργαλείο έχει σχεδιαστεί έτσι ώστε να λειτουργεί για μεγάλο χρονικό διάστημα με την ελάχιστη δυνατή συντήρηση. Η αδιάλειπτη και κανονική λειτουργία του εργαλείου εξαρτάται από τη φροντίδα και τον τακτικό καθαρισμό.

- ♦ Να καθαρίζετε τακτικά τις οπές εξαερισμού με μια καθαρή, στεγνή βούρτσά.
- ♦ Για να καθαρίσετε το εργαλείο, χρησιμοποιήστε μόνο μαλακό σαπούνι και ένα υγρό πανάκι. Ποτέ μην αφήνετε οποιοδήποτε υγρό να μπει στο εσωτερικό του εργαλείου και ποτέ μην εισάγετε οποιοδήποτε μέρος του εργαλείου μέσα σε υγρό.

### ΔΙΑΘΕΣΗ ΕΡΓΑΛΕΙΩΝ ΚΑΙ ΠΕΡΙΒΑΛΛΟΝ



Ξεχωριστή συλλογή. Αυτό το προϊόν δεν πρέπει να απορριφθεί με συνηθισμένα σπιτικά απορρίμματα.

Εάν κάποια μέρα διαπιστώσετε ότι το προϊόν σας Black & Decker χρειάζεται αντικατάσταση ή δεν σας χρησιμεύει πλέον, μην το απορρίψετε με τα σπιτικά απορρίμματα. Κάντε αυτό το προϊόν διαθέσιμο για ξεχωριστή συλλογή.



Η ξεχωριστή συλλογή χρησιμοποιημένων προϊόντων και συσκευασιών επιτρέπει την ανακύκλωση υλικών. Η επανάχρηση ανακυκλωμένων υλικών βοηθάει την προστασία του περιβάλλον και μειώνει την ζήτηση για σπάνια υλικά.

Οι τοπικοί κανονισμοί μπορεί να παρέχουν ξεχωριστή συλλογή ηλεκτρικών προϊόντων από κατοικίες, δημοτικές τοποθεσίες απορριμμάτων ή από τον έμπορα όταν αγοράσατε το καινούργιο προϊόν.

Η Black & Decker δίνει τη δυνατότητα συλλογής και ανακύκλωσης των προϊόντων της που έχουν συμπληρώσει τη διάρκεια ζωής τους. Αν θέλετε να χρησιμοποιήσετε την εν λόγω υπηρεσία, επιστρέψτε το προϊόν σας σε οποιοδήποτε εξουσιοδοτημένο κέντρο επισκευών, όπου θα το παραλάβουν εκ μέρους σας.

Ενημερωθείτε για το πλησιέστερο κέντρο επισκευών της περιοχής σας, επικοινωνώντας με τα γραφεία της Black & Decker στη διεύθυνση που αναγράφεται στο εγχειρίδιο. Επίσης, για να πληροφορηθείτε τα εξουσιοδοτημένα κέντρα επισκευών της Black & Decker και τις λεπτομέρειες και τους αρμόδιους των υπηρεσιών που παρέχονται μετά την πώληση, μπορείτε να ανατρέξετε στο Διαδίκτυο στη διεύθυνση:

[www.2helpU.com](http://www.2helpU.com)

#### Τεχνικά χαρακτηριστικά

		KX1800	KX2000
Τάση	V <sub>AC</sub>	230	230
Κατασκευή		Κατηγορία I	Κατηγορία I
Ισχύς εισόδου	W	1.800	2.000
Ορια θερμοκρασίας	°C	50 - 600	50 - 600
Βάρος	kg	0,85	0,85

#### Δήλωση συμμόρφωσης με την Ευρωπαϊκή Κοινότητα

KX1800 TYPE 2/KX2000 TYPE 2

H Black & Decker δηλώνει ότι τα προϊόντα αυτά συμμορφώνονται με:

98/37/ΕΟΚ, 89/336/ΕΟΚ, 73/23/ΕΟΚ, EN 50144, EN 55014, EN 60335, EN 61000

LpA (πίεση ήχου) 75 dB(A), χειροβραχιονική δόνηση < 2,5 m/s<sup>2</sup>



Kevin Hewitt

Διευθυντής Εξυπηρέτησης Πελατών  
Spennymoor, County Durham DL16 6JG,  
Αγγλία  
1-10-2005

#### Εγγύηση

Η Black & Decker είναι σίγουρη για την ποιότητα των προϊόντων της και παρέχει σημαντική εγγύηση. Η παρούσα γραπτή εγγύηση αποτελεί πρόσθετο δικαίωμά σας και δεν ζημιώνει τα συνταγματικά σας δικαιώματα. Η εγγύηση ισχύει εντός της επικράτειας των Κρατών Μελών της Ευρωπαϊκής Ένωσης και της Ευρωπαϊκής Ζώνης Ελευθέρων Συναλλαγών.

Σε περίπτωση που κάποιο προϊόν της Black & Decker παρουσιάσει βλάβη εξαιτίας ελαττωματικών υλικών, ποιότητας εργασίας ή έλλειψης συμφωνίας με τις προδιαγραφές εντός 24 μηνών από την ημερομηνία αγοράς, η Black & Decker εγγυάται την αντικατάσταση των ελαττωματικών τμημάτων, την επισκευή προϊόντων που έχουν υποστεί εύλογη φθορά λόγω χρήσης ή την αντικατάσταση των προϊόντων προκειμένου να εξασφαλίσει την ελάχιστη ενόχληση στους πελάτες της, εκτός αν:

- Το προϊόν έχει χρησιμοποιηθεί σε εργασιακό, επαγγελματικό περιβάλλον ή αν έχει εννοικιαστεί
- Έχει γίνει εσφαλμένη χρήση του προϊόντος ή αν έχει παραμεληθεί
- Το προϊόν έχει υποστεί βλάβη από άλλα αντικείμενα, από ουσίες ή λόγω ατυχήματος
- Έχει γίνει προσπάθεια επισκευής από μη εξουσιοδοτημένα κέντρα επισκευών ή από προσωπικό που δεν ανήκει στο προσωπικό της Black & Decker

Για να ισχύσει η εγγύηση, πρέπει να υποβάλετε απόδειξη αγοράς στον πωλητή ή το εξουσιοδοτημένο κέντρο επισκευών. Ενημερωθείτε για το πλησιέστερο κέντρο επισκευών της περιοχής σας, επικοινωνώντας με τα γραφεία της Black & Decker στη διεύθυνση που αναγράφεται στο εγχειρίδιο. Επίσης, για να πληροφορηθείτε για τα εξουσιοδοτημένα κέντρα επισκευών της Black & Decker, τις λεπτομέρειες και τους αρμόδιους των υπηρεσιών που παρέχονται μετά την πώληση, μπορείτε να ανατρέξετε στο Διαδίκτυο στη διεύθυνση: [www.2helpU.com](http://www.2helpU.com)

Παρακαλούμε να επισκεφτείτε την ιστοσελίδα μας [www.blackanddecker.com](http://www.blackanddecker.com) για να καταχωρήσετε το νέο σας προϊόν Black & Decker και για να ενημερώνεστε για τα νέα προϊόντα και τις ειδικές προσφορές. Περισσότερες πληροφορίες σχετικά με τη μάρκα Black & Decker και τη σειρά προϊόντων μας θα βρείτε στη διεύθυνση [www.blackanddecker.com](http://www.blackanddecker.com)



<b>Australia</b>	Black & Decker (Australia) Pty. Ltd. 20 Fletcher Road, Mooroolbark, Victoria, 3138	Tel. 03-8720 5100 Fax 03-9727 5940
<b>België/Belgique</b>	Black & Decker (Belgium) N.V. Campus Noord, Schaliënhoevedreef 20E 2800 Mechelen	Tel. 015 - 47 92 11 Fax 015 - 47 92 10
<b>Danmark</b>	Black & Decker Sluseholmen 2-4, 2450 København SV Internet: www.blackanddecker.dk	Tel. 70 20 15 30 Fax 36 94 49 01
<b>Deutschland</b>	Black & Decker GmbH Black & Decker Str. 40, D - 65510 Idstein	Tel. 06126/21 - 0 Fax 06126/21 29 80
<b>Ελλάδα</b>	Black & Decker (Ελλάς) Α.Ε. Στράβωνος 7 & Λεωφ. Βουλιαγμένης 159 166 74 Γλυφάδα - Αθήνα	Τηλ. 210 8981616 Τηλ. 210 8982630 Φαξ Service 210 8983285
<b>España</b>	Black & Decker Ibérica, S.C.A. Parque de Negocios "Mas Blau" Edificio Muntadas, c/Bergadá, 1, Of. A6 08820 El Prat de Llobregat (Barcelona)	Tel. 934 797 400 Fax 934 797 419
<b>France</b>	Black & Decker (France) S.A.S. B.P. 21, 69571 Dardilly Cédex	Tel. 04 72 20 39 20 Fax 04 72 20 39 00
<b>Helvetia</b>	RÖFO AG Gewerbezone Seeblick 3213 Kleinbösinggen	Tel. 026-6749391 Fax 026-6749394
<b>Italia</b>	Black & Decker Italia SpA Viale Elvezia 2 20052 Monza (MI)	Tel. 039-23871 Fax 039-2387592/2387594 Numero verde 800-213935
<b>Nederland</b>	Black & Decker Benelux Joulehof 12, 4622 RG Bergen op Zoom	Tel. 0164 - 283000 Fax 0164 - 283100
<b>New Zealand</b>	Black & Decker 81 Hugo Johnston Drive Penrose, Auckland, New Zealand	Tel. 09 579 7600 Fax 09 579 8200
<b>Norge</b>	Black & Decker (Norge) A/S Postboks 4814, Nydalen, 0422 Oslo Internet: www.blackanddecker.no	Tif. 22 90 99 00 Fax 22 90 99 01
<b>Österreich</b>	Black & Decker Vertriebsges.m.b.H Erlaaerstraße 165, 1231 Wien	Tel. 01 66116-0 Fax 01 66116-14
<b>Portugal</b>	Black & Decker Rua Egas Moniz 173 S. João do Estoril 2766-651 Estoril	Tel. 214667500 Fax 214667575
<b>Suomi</b>	Black & Decker Oy Keilasatama 3, 02150 Espoo Black & Decker Oy, Kägelhamnen 3, 02150 Esbo	Puh.: 010 400 430 Faksi: (09) 2510 7100 Tel: 010 400 430 Fax: (09) 2510 7100
<b>Sverige</b>	Black & Decker AB Fabriksg. 7, 412 50 Göteborg	Tel: 031-68 60 60 Fax: 031-68 60 80
<b>Türkiye</b>	İntratek Mühendislik ve Dış Tic. A.Ş. Ortaklar Cad. No:19/2 80290 Mecidiyeköy / İstanbul	Tel. 0212 211 22 10 Faks 0212 266 33 03
<b>United Kingdom</b>	Black & Decker 210 Bath Road Slough, Berkshire SL1 3YD	Tel. 01753 511234 Fax 01753 551155 Helpline 01753 574277
<b>Middle East &amp; Africa</b>	Black & Decker (Overseas) A.G. PB 5420, Dubai, United Arab Emirates	Tel. +971 4 2826464 Fax +971 4 2826466

Dealer address  
Händleradresse  
Cachet du revendeur  
Indirizzo del rivenditore  
Adres van de dealer  
Dirección del detallista  
Morada do revendedor  
Återförsäljarens adress  
Forhandlerens adresse  
Forhandler adresse  
Jälleenmyyjän osoite  
Διεύθυνση αντιπροσώπου

◆ Name ◆ Nom ◆ Nome  
◆ Naam ◆ Nombre ◆ Nome ◆ Namn  
◆ Navn ◆ Navn ◆ Nimi ◆ Ovojna:

◆ Address ◆ Adresse ◆ Adresse ◆ Indirizzo ◆  
Adres ◆ Dirección ◆ Morada ◆ Address ◆  
Adresse ◆ Adresse ◆ Osoite ◆ Διεύθυνση:

◆ Town ◆ Ort ◆ Ville ◆ Città ◆ Plaats  
◆ Ciudad ◆ Localidade ◆ Ort ◆ By ◆ By  
◆ Paikkakunta ◆ Πόλη:

◆ Postal code ◆ Postleitzahl ◆ Code postal ◆  
Codice postale ◆ Postcode  
◆ Código ◆ Código postal ◆ Postnr.  
◆ Postnr. ◆ Postnr. ◆ Postnummero  
◆ Κωδικός

◆ Is this tool a gift? ◆ Ist dieses Gerät ein  
Geschenk? ◆ S'agit-il d'un cadeau? ◆ Si tratta  
di un regalo? ◆ Kreeg u de machine als cadeau?  
◆ ¿Ha recibido usted esta herramienta como  
regalo? ◆ Reçebeu esta ferramenta como  
presente? ◆ Är verktyget en gåva?  
◆ Er verktoyet en gave? ◆ Er verktojet en gave?  
◆ Onko kone lahja? ◆ Το εργαλείο είναι δώρο?

◆ Yes ◆ Ja ◆ Oui ◆ Si ◆ Ja ◆ Si ◆  
◆ Sim ◆ Ja ◆ Ja ◆ Ja ◆ Kyllä ◆ Nαι  
 ◆ No ◆ Nein ◆ Non ◆ No ◆ Nee  
◆ No ◆ Não ◆ Nej ◆ Nei ◆ Nej  
◆ Ei ◆ Oxi

◆ Is this tool your first purchase? ◆ Ist dieses  
Gerät ein Erstkauf? ◆ Est-ce un 1er achat? ◆  
Questo prodotto è il suo primo acquisto? ◆ Is  
deze machine uw eerste aankoop? ◆ ¿Es esta  
herramienta la primera de este tipo?  
◆ Esta ferramenta é a primeira compra? ◆  
Är detta ditt första B&D-verktyg? ◆ Er dette ditt  
første B&D verktoy? ◆ Er dette ditt første B&D  
verktøj? ◆ Onko tämä ensimmäinen B&D-

Date of purchase  
Kaufdatum  
Date d'achat  
Data d'acquisto  
Aankoopdatum  
Fecha de compra  
Data de compra  
Inkõpsdatum  
Innkjøpsdato  
Indkøbsdato  
Ostöpäivä  
Ημερομηνία αγοράς

koneesi? ◆ Είναι το εργαλείο αυτό η  
πρώτη σας αγορά?

◆ Yes ◆ Ja ◆ Oui ◆ Si ◆ Ja ◆ Si  
◆ Sim ◆ Ja ◆ Ja ◆ Ja ◆ Kyllä ◆ Nαι  
 ◆ No ◆ Nein ◆ Non ◆ No ◆ Nee  
◆ No ◆ Não ◆ Nej ◆ Nei ◆ Nej  
◆ Ei ◆ Oxi

◆ Dealer address ◆ Händleradresse  
◆ Cachet du revendeur ◆ Indirizzo del  
rivenditore ◆ Adres van de dealer  
◆ Dirección del detallista ◆ Morada do  
revendedor ◆ Återförsäljarens adress  
◆ Forhandlerens adresse ◆ Forhandler adresse  
◆ Jälleenmyyjän osoite  
◆ Διεύθυνση αντιπροσώπου

Cat. no.:



- ✦ GUARANTEE CARD      ✦ GARANTIEKARTE      ✦ CARTE DE GARANTIE      ✦ TAGLIANDO DI GARANZIA  
✦ GARANTIEKAART      ✦ TARJETA DE GARANTÍA      ✦ CARTÃO DE GARANTIA      ✦ GARANTIBEVIS  
✦ GARANTI KORT      ✦ GARANTI KORT      ✦ TAKUKUKORTTI      ✦ KAPTA ΕΓΓΥΗΣΗΣ



**English**

Please complete this section immediately after the purchase of your tool and send it to Black & Decker in your country. If you live in Australia or New Zealand, please register by using the alternative guarantee card supplied.

**Deutsch**

Bitte schneiden Sie diesen Abschnitt ab, stecken ihn in einen frankierten Umschlag und schicken ihn an die Black & Decker Adresse Ihres Landes.

**Français**

Découpez cette partie et envoyez-la sous enveloppe timbrée à l'adresse de Black & Decker dans votre pays, ceci immédiatement après votre achat.

**Italiano**

Per favore ritagliate questa parte, inseritela in una busta con francobollo e spedite la subito dopo l'acquisto del prodotto all'indirizzo della Black & Decker nella vostra nazione.

**Nederlands**

Knip dit gedeelte uit en zend het direct na aankoop in een gefrankeerde, geaddresseerde envelop naar het adres van Black & Decker in uw land.

**Español**

Después de haber comprado su herramienta envíe usted, por favor, esta tarjeta a la central de Black & Decker en su país.

**Português**

Por favor, recorte esta parte, coloque-a num envelope selado e endereçado e envie-o logo após a compra do seu produto para o endereço da Black & Decker do seu país.

**Svenska**

Var vänlig klipp ur denna del och sänd den i ett frankerat kuvert till Black & Deckers adress i Ditt land.

**Norsk**

Vennligst klipp ut denne delen umiddelbart etter du har pakket ut ditt produkt og legg det i en adressert konvolutt til Black & Decker (Norge) AS.

**Dansk**

Venligst klip denne del ud og send frankeret til Black & Decker i dit land.

**Suomi**

Leikkaa irti tämä osa, laita se kuoreen ja postita kuori paikalliseen Black & Decker osoitteeseen.

**Ελληνικά**

Τιποκάλω κόλλετε αυτό το κομμάτι και ταχυδρομησατε το queóως jeτά τny ayová tou npoióvτoç oóc στny óeúbuvoν τny Black & Decker στny Ελλάδα.