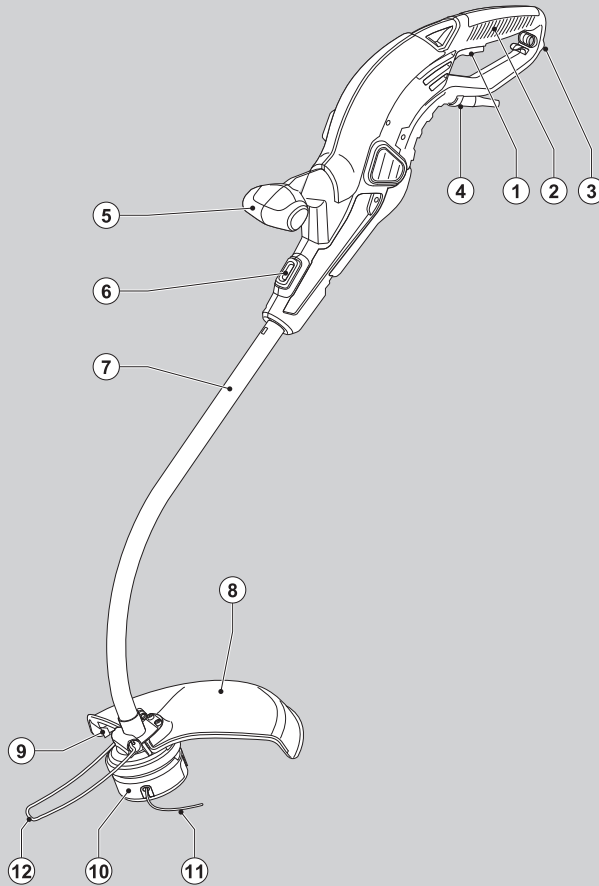




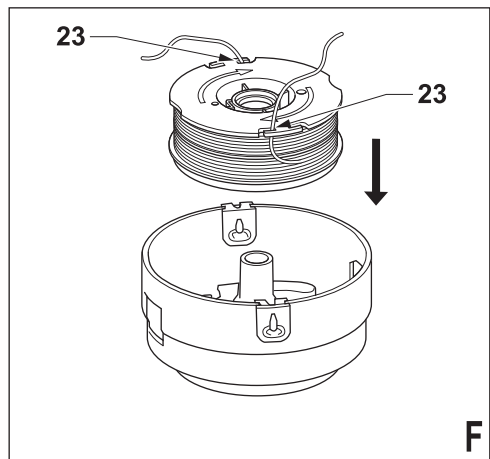
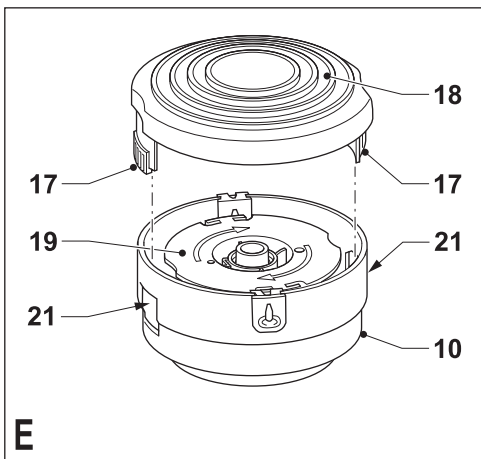
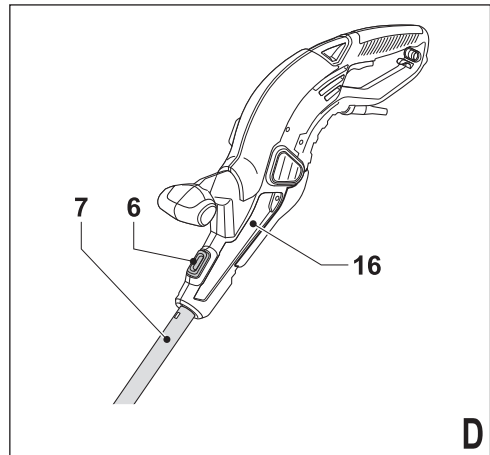
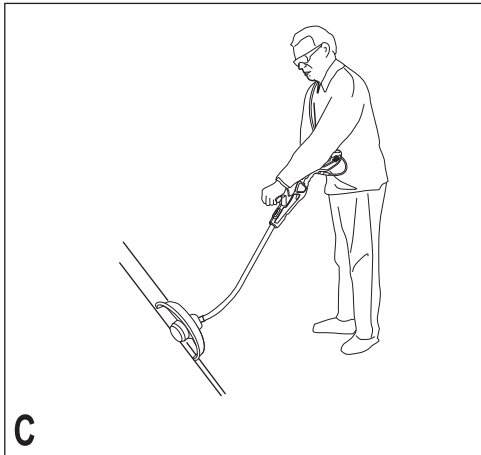
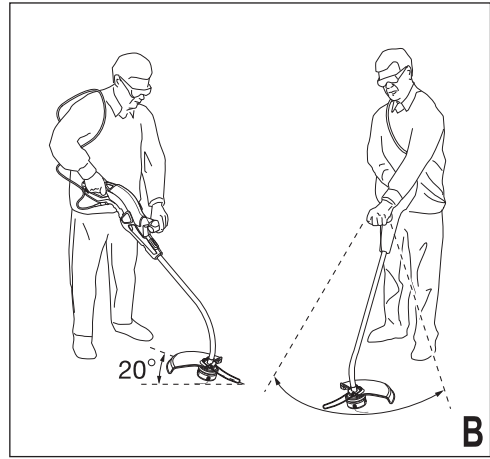
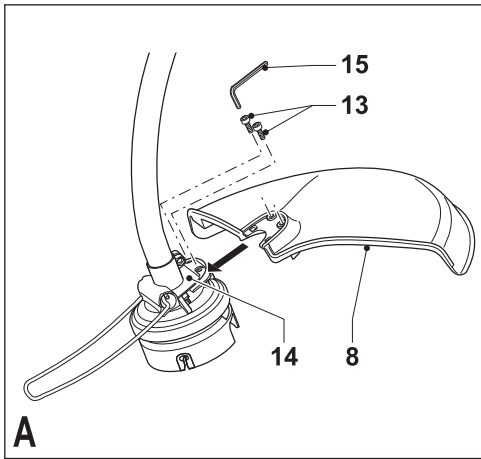
# BLACK & DECKER®

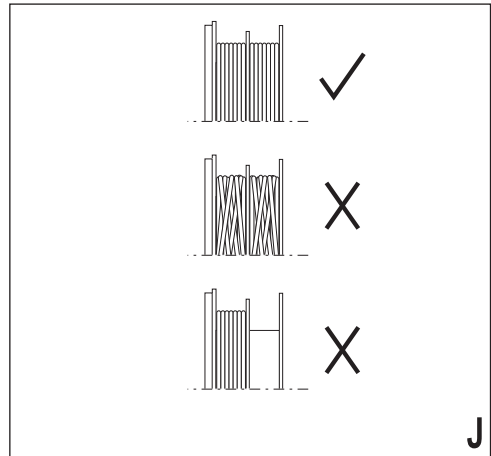
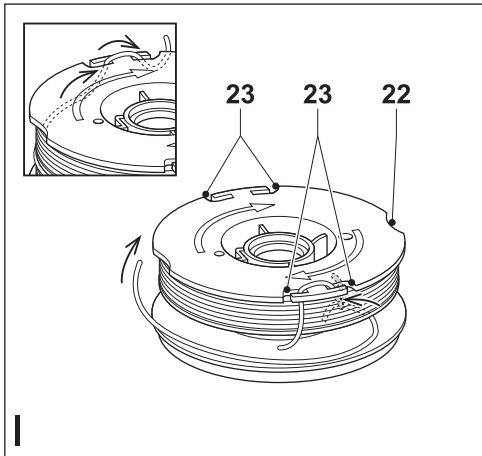
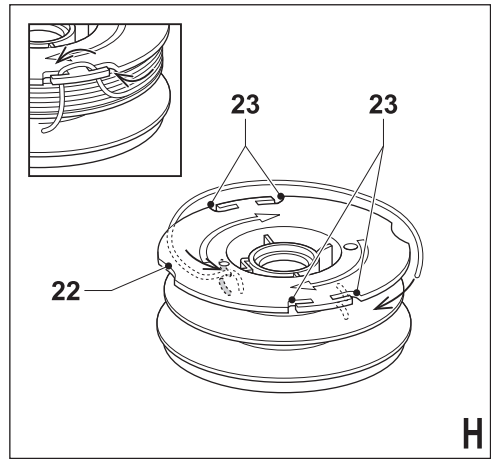
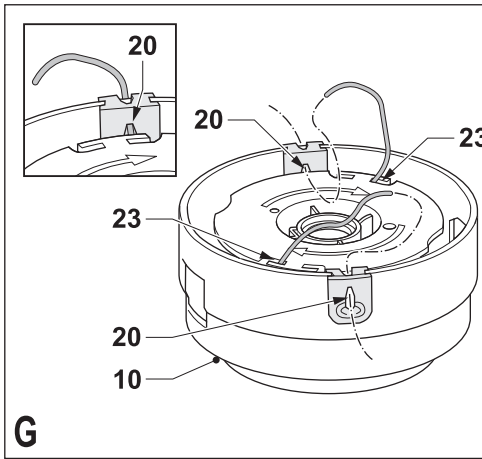


GL701  
GL710  
GL716  
GL720  
GL741

[www.blackanddecker.eu](http://www.blackanddecker.eu)

|                     |  |           |
|---------------------|--|-----------|
| <b>English</b>      | <b>(Original instructions)</b>                                 | <b>5</b>  |
| <b>Deutsch</b>      | <b>(Übersetzung der Originalanleitung)</b>                     | <b>11</b> |
| <b>Français</b>     | <b>(Traduction des instructions d'origine)</b>                 | <b>18</b> |
| <b>Česky</b>        | <b>(Přeloženo z původního návodu)</b>                          | <b>24</b> |
| <b>Magyar</b>       | <b>(Fordítás az eredeti kezelési utasítás alapján készült)</b> | <b>30</b> |
| <b>Polski</b>       | <b>(Tłumaczenie oryginalnej instrukcji)</b>                    | <b>37</b> |
| <b>Slovenčina</b>   | <b>(Preložené z pôvodného návodu)</b>                          | <b>44</b> |
| <b>Русский язык</b> | <b>(Перевод с оригинала инструкции)</b>                        | <b>50</b> |
| <b>Українська</b>   | <b>(Переклад оригінальних інструкцій)</b>                      | <b>58</b> |
| <b>Türkçe</b>       | <b>(Çevirisi orijinal talimatlardan yapılmıştır)</b>           | <b>65</b> |





## Intended use

Your Black & Decker trimmer has been designed for trimming and finishing lawn edges and to cut grass in confined spaces. This appliance is intended for consumer use only.

## Safety instructions

**Warning!** When using mains-powered appliances, basic safety precautions, including the following, should always be followed to reduce the risk of fire, electric shock, personal injury and material damage.

- ◆ Read all of this manual carefully before operating the appliance.
- ◆ The intended use is described in this manual. The use of any accessory or attachment or the performance of any operation with this appliance other than those recommended in this instruction manual may present a risk of personal injury.
- ◆ Retain this manual for future reference.

## Using your appliance

Always take care when using the appliance.

- ◆ Always use safety glasses or goggles.
- ◆ Never allow children or people unfamiliar with the instructions to use the appliance.
- ◆ Do not allow children or animals to come near the work area or to touch the appliance or power supply cord.
- ◆ Close supervision is necessary when the appliance is used near children.
- ◆ This appliance is not intended for use by young or infirm persons without supervision.
- ◆ This appliance is not to be used as a toy.
- ◆ Only use the appliance in daylight or good artificial light.
- ◆ Use in a dry location only. Do not allow the appliance to become wet.
- ◆ Do not immerse the appliance in water.
- ◆ Do not open the body casing. There are no user-serviceable parts inside.
- ◆ Do not operate the appliance in explosive atmospheres, such as in the presence of flammable liquids, gases or dust.
- ◆ To reduce the risk of damage to plugs or cords, never pull the cable to remove the plug from a socket.

## Safety of others

- ◆ This appliance is not intended for use by persons (including children) with reduced physical, sensory or mental capabilities, or lack of experience and knowledge, unless they have been given supervision or instruction

concerning use of the appliance by a person responsible for their safety.

- ◆ Children must be supervised to ensure that they do not play with the appliance.

## After use

- ◆ When not in use, the appliance should be stored in a dry, well ventilated place out of reach of children.
- ◆ Children should not have access to stored appliances.
- ◆ When the appliance is stored or transported in a vehicle it should be placed in the boot or restrained to prevent movement following sudden changes in speed or direction.

## Inspection and repairs

- ◆ Before use, check the appliance for damaged or defective parts. Check for breakage of parts and any other conditions that may affect its operation.
- ◆ Do not use the appliance if any part is damaged or defective.
- ◆ Have any damaged or defective parts repaired or replaced by an authorised repair agent.
- ◆ Never attempt to remove or replace any parts other than those specified in this manual.

## Using an extension cable

Always use an approved extension cable suitable for the power input of this appliance (see technical data). The extension cable must be suitable for outdoor use and marked accordingly. Up to 30 m of 1.5 mm<sup>2</sup> HO5VV-F extension cable can be used without loss of product performance. Before use, inspect the extension cable for signs of damage, wear and ageing. Replace the extension cable if damaged or defective. When using a cable reel, always unwind the cable completely.

## Additional safety instructions for grass trimmers

**Warning!** Cutting elements continue to rotate after the motor is switched off.

- ◆ Be familiar with the controls and the proper use of the appliance.
- ◆ Before use, check the power supply cord and extension cord for signs of damage, ageing and wear. If a cord becomes damaged during use, disconnect the cord from the mains supply immediately. **DO NOT TOUCH THE CORD BEFORE DISCONNECTING THE SUPPLY.**
- ◆ Do not use the appliance if the cords are damaged or worn.
- ◆ Wear stout shoes or boots to protect your feet.

## ENGLISH

- ◆ Wear long trousers to protect your legs.
- ◆ Before using the appliance, check that your cutting path is free from sticks, stones, wire and any other obstacles.
- ◆ Only use the appliance in the upright position, with the cutting line near the ground. Never switch the appliance on in any other position.
- ◆ Move slowly when using the appliance. Be aware that freshly cut grass is damp and slippery.
- ◆ Do not work on steep slopes. Work across the face of slopes, not up and down.
- ◆ Never cross gravel paths or roads while the appliance is running.
- ◆ Never touch the cutting line while the appliance is running.
- ◆ Do not put the appliance down until the cutting line has come to a complete standstill.
- ◆ Use only the appropriate type of cutting line. Never use metal cutting line or fishing line.
- ◆ Be careful not to touch the line trimming blade.
- ◆ Take care to keep the mains cable away from the cutting line. Always be aware of the position of the cable.
- ◆ Keep hands and feet away from the cutting line at all times, especially when switching on the motor.
- ◆ Before using the appliance and after any impact, check for signs of wear or damage and repair as necessary.
- ◆ Never operate the appliance with damaged guards or without guards in place.
- ◆ Take care against injury from any device fitted for trimming the filament line length. After extending new cutter line always return the machine to its normal operating position before switching on.
- ◆ Always ensure that the ventilation slots are kept clear of debris.
- ◆ Do not use the lawn trimmer (edge trimmer), if the cords are damaged or worn.
- ◆ Keep extension cords away from cutting elements.

### Labels on appliance

The following warning symbols are found on the appliance:



Read the manual prior to operation.



Wear safety glasses or goggles when operating this appliance.



Keep people and animals at least 6 m away from the cutting area.



Do not expose the appliance to rain or high humidity.

### Electrical safety



This appliance is double insulated; therefore no earth wire is required. Always check that the power supply corresponds to the voltage on the rating plate.

- ◆ If the supply cord is damaged, it must be replaced by the manufacturer or an authorised Black & Decker Service Centre in order to avoid a hazard.

### Features

This appliance includes some or all of the following features.

1. On/off switch
2. Handle
3. Cable restraint
4. Power inlet
5. Secondary handle
6. Adjustment button
7. Tube
8. Guard
9. Line trimming blade
10. Spool housing
11. Cutting line
12. Edge guide

### Assembly

**Warning!** Before assembly, make sure that the appliance is switched off and unplugged.

#### Fitting the guard (fig. A)

- ◆ Remove the hexagonal screws (13) from the head (14).
- ◆ Place the guard (8) onto the appliance as shown.
- ◆ Firmly press the guard until it snaps into place.
- ◆ Secure the guard with the hexagonal screws.
- ◆ Tighten the hexagonal screws using the hexagonal key (15) provided.

**Warning!** Never use the appliance unless the guard is properly fitted.

#### Releasing the cutting line

In transit, the cutting line is taped to the spool housing.

- ◆ Remove the tape holding the cutting line (11) to the spool housing (10).

#### Connecting the appliance to the mains

- ◆ Connect the female plug of a suitable extension cable to the power inlet (4).
- ◆ Loop the cable through the cable restraint (3).

- ◆ Insert the mains plug into a mains outlet.

**Warning!** The extension cable must be suitable for outdoor use.

### Residual risks.

Additional residual risks may arise when using the tool which may not be included in the enclosed safety warnings. These risks can arise from misuse, prolonged use etc. Even with the application of the relevant safety regulations and the implementation of safety devices, certain residual risks can not be avoided. These include:

- ◆ **Injuries caused by touching any rotating/moving parts.**
- ◆ **Injuries caused when changing any parts, blades or accessories.**
- ◆ **Injuries caused by prolonged use of a tool. When using any tool for prolonged periods ensure you take regular breaks.**
- ◆ **Impairment of hearing.**
- ◆ **Health hazards caused by breathing dust developed when using your tool (example:- working with wood, especially oak, beech and MDF.)**

### Use

**Warning!** Let the tool work at its own pace. Do not overload.

### Setting the appliance to trimming or edging mode (fig. B - D)

The appliance can be used in trimming mode as shown in fig. B or in edging mode to trim overhanging grass along lawn edges and flower beds as shown in fig. C.

#### Trimming mode (fig. B & D)

For trimming, the trimmer head should be in the position shown in fig. B. If it is not:

- ◆ Depress the adjustment button (6).
- ◆ Rotate the tube (7), while releasing the button.
- ◆ When the head is in position, the button will lock into place.

Note: The tube will only rotate in one direction.

#### Edging mode (fig. C & D)

For edging, the trimmer head should be in the position shown in fig. C. If it is not:

- ◆ Depress the adjustment button (6).
- ◆ Rotate the tube (7), while releasing the button.
- ◆ When the head is in position, the button will lock into place.

**Note:** The tube will only rotate in one direction.

### Adjusting the height of the appliance (fig. D)

This appliance has a telescopic mechanism, allowing you to set it to a comfortable height.

There are three height settings.

To adjust the height setting, proceed as follows:

- ◆ Depress the adjustment button (6).
- ◆ Gently pull the tube (7) out of the motor housing (16) to the desired height, while releasing the button.
- ◆ When the tube is in position, the button will lock into place.

### Switching on and off

- ◆ To switch the appliance on, squeeze the trigger lever (1).
- ◆ To switch the appliance off, release the trigger lever.

**Warning!** Never attempt to lock the trigger lever in the on position.

### Hints for optimum use

#### General

- ◆ In order to achieve optimum cutting results, only cut dry grass.

#### Trimming

- ◆ Hold the appliance as shown in fig. B.
- ◆ Gently swing the trimmer from side to side.
- ◆ When cutting long grass, work in stages from the top. Take small cuts.
- ◆ Keep the appliance away from hard objects and delicate plants.
- ◆ If the appliance starts running slowly, reduce the load.

#### Edging

Optimum cutting results are achieved on edges deeper than 50 mm.

- ◆ Do not use the appliance to create edges. To create edges, use an edging spade.
- ◆ Guide the appliance as shown in fig. C.
- ◆ To make a closer cut, slightly tilt the appliance.

### Fitting a new spool of cutting line (fig. E & G)

Replacement spools of cutting line are available from your Black & Decker dealer (cat. no. A6495).

- ◆ Keep the tabs (17) depressed and remove the spool cover (18) from the housing (10).
- ◆ Remove the empty spool (19) from the spool housing.
- ◆ Remove any dirt and grass from the spool cover and housing.

## ENGLISH

- ◆ Place the new spool onto the boss in the spool housing with the lines parked in the slots (23) (fig. F).
- ◆ Insert the line ends through the appropriate eyelets (20) in the housing (10). Pull the slack line until it pulls out of the parked slots (23) (fig. G).
- ◆ Align the tabs (17) on the spool cover with the cut outs (21) in the housing.
- ◆ Push the cover (18) onto the housing (10) until it snaps securely into place.

**Note:** Make sure that the cover is positioned, listen for two audible clicks to ensure both tabs (17) are correctly located.

**Warning!** If the cutting lines protrude beyond the trimming blade (9), cut them off so that they just reach the blade.

### Winding new line onto an empty spool (fig. H - J)

You may wind new cutting line onto an empty spool.

Replacement packs of cutting line are available from your Black & Decker dealer (cat. no. A6171).

- ◆ Remove the empty spool from the appliance as described above.
- ◆ Remove any remaining cutting line from the spool.
- ◆ First wind new line onto the uppermost part of the spool:
  - Feed 2 cm of cutting line into one of the slots in the upper section of the spool as shown.
  - Wind the cutting line onto the spool in the direction of the arrow. Make sure to wind the line on neatly and in layers. Do not criss-cross.
  - When the wound cutting line reaches the recesses (22), cut the line.
  - Temporarily park the line in the slots (23) on one side of the spool as shown.
- ◆ Repeat the above procedure for the second cutting line on the lower section of the spool. Park the line in the unused slots (23).
- ◆ Proceed as described above to fit the spool on the appliance. Do not forget to release the cutting line from the parking slots (23).

**Warning!** Only use the appropriate type of Black & Decker cutting line. Ensure that cutting line is present in both sections of the spool.

### Mains plug replacement (U.K. & Ireland only)

If a new mains plug needs to be fitted:

- ◆ Safely dispose of the old plug.
- ◆ Connect the brown lead to the live terminal in the new plug.
- ◆ Connect the blue lead to the neutral terminal.

**Warning!** No connection is to be made to the earth terminal. Follow the fitting instructions supplied with good quality plugs. Recommended fuse: 5 A.

### Troubleshooting

If your tool seems not to operate properly, follow the instructions below. If this does not solve the problem, please contact your local Black & Decker repair agent.

**Warning!** Before proceeding, unplug the tool.

### Appliance runs slowly

- ◆ Check that the spool housing can rotate freely. Carefully clean it if necessary.
- ◆ Check that the cutting line does not protrude more than 11 cm from the spool housing. If it does, cut it off so that it just reaches the line trimming blade.

### Automatic line feed does not work

- ◆ Keep the tabs depressed and remove the spool cover from the housing.
- ◆ Pull the cutting line until it protrudes 11 cm from the housing. If insufficient cutting line is left on the spool, install a new spool of cutting line as instructed above.
- ◆ Align the tabs on the spool cover with the cut outs in the housing.
- ◆ Push the cover onto the housing until it snaps securely into place.
- ◆ If the cutting line protrudes beyond the trimming blade, cut it off so that it just reaches the blade.

If the automatic line feed still does not work or the spool is jammed, try the following suggestions:

- ◆ Carefully clean the spool cover and housing.
- ◆ Remove the spool and check if the lever can move freely.
- ◆ Remove the spool and unwind the cutting line, then wind it on neatly again as described above. Replace the spool as instructed.



## Maintenance

Your Black & Decker corded/cordless appliance/tool has been designed to operate over a long period of time with a minimum of maintenance. Continuous satisfactory operation depends upon proper tool care and regular cleaning.

**Warning!** Before performing any maintenance on corded/ cordless power tools:

- ◆ Switch off and unplug the appliance/tool.
- ◆ Or switch off and remove the battery from the appliance/ tool if the appliance/tool has a separate battery pack.
- ◆ Or run the battery down completely if it is integral and then switch off.
- ◆ Unplug the charger before cleaning it. Your charger does not require any maintenance apart from regular cleaning.
- ◆ Regularly clean the ventilation slots in your appliance/tool/ charger using a soft brush or dry cloth.
- ◆ Regularly clean the motor housing using a damp cloth. Do not use any abrasive or solvent-based cleaner.
- ◆ Regularly open the chuck and tap it to remove any dust from the interior (when fitted).

## Protecting the environment



Separate collection. This product must not be disposed of with normal household waste.

Should you find one day that your Black & Decker product needs replacement, or if it is of no further use to you, do not dispose of it with household waste. Make this product available for separate collection.



Separate collection of used products and packaging allows materials to be recycled and used again. Reuse of recycled materials helps prevent environmental pollution and reduces the demand for raw materials.

Local regulations may provide for separate collection of electrical products from the household, at municipal waste sites or by the retailer when you purchase a new product.

Black & Decker provides a facility for the collection and recycling of Black & Decker products once they have reached the end of their working life. To take advantage of this service please return your product to any authorised repair agent who will collect them on our behalf.

You can check the location of your nearest authorised repair agent by contacting your local Black & Decker office at the address indicated in this manual. Alternatively, a list of authorised Black & Decker repair agents and full details of our after-sales service and contacts are available on the Internet at: [www.2helpU.com](http://www.2helpU.com)

## Technical data

|               |                   | GL701    | GL710    | GL716    |
|---------------|-------------------|----------|----------|----------|
|               |                   | TYPE 3-5 | TYPE 3-5 | TYPE 3-5 |
| Input voltage | V <sub>AC</sub>   | 230      | 230      | 230      |
| Power input   | W                 | 550      | 520      | 580      |
| No-load speed | min <sup>-1</sup> | 6,500    | 6,500    | 6,500    |
| Weight        | kg                | 3.2      | 3.2      | 3.2      |

|               |                   | GL720    | GL741    |
|---------------|-------------------|----------|----------|
|               |                   | TYPE 3-5 | TYPE 3-5 |
| Input voltage | V <sub>AC</sub>   | 230      | 230      |
| Power input   | W                 | 600      | 700      |
| No-load speed | min <sup>-1</sup> | 6,500    | 6,500    |
| Weight        | kg                | 3.2      | 3.2      |

Hand/arm weighted vibration value according to EN 786: = 7.5 m/s<sup>2</sup>, Uncertainty (K) = 1.5 m/s<sup>2</sup>

## EC declaration of conformity

MACHINERY DIRECTIVE  
OUTDOOR NOISE DIRECTIVE



### GL701/GL710/GL716/GL720/GL741

Black & Decker declares that these products described under "technical data" are in compliance with: 98/37/EC (until Dec. 28, 2009), 2006/42/EC (from Dec. 29, 2009), EN 60335-1, EN 60335-2-91

2000/14/EC, Lawn Trimmer L ≤ 50 cm, Annex VIII  
KEMA Quality B.V., Utrechtseweg 310, 6802 ED  
Arnhem, The Netherlands  
Notified Body ID No.: 0344

Level of acoustic power according to 2000/14/EC  
(Article 12, Annex III, L ≤ 50 cm):

L<sub>WA</sub> (measure sound power) 95 dB(A)  
Uncertainty (K) = 3 dB(A)

L<sub>WA</sub> (guaranteed sound power) 96 dB(A)  
Uncertainty (K) = 3 dB(A)

These products also comply with directive 2004/108/EC. For more information, please contact Black & Decker at the following address or refer to the back of the manual.

## ENGLISH

The undersigned is responsible for compilation of the technical file and makes this declaration on behalf of Black & Decker.



Kevin Hewitt  
Vice-President Global  
Engineering  
Black & Decker Europe,  
210 Bath Road, Slough,  
Berkshire, SL1 3YD  
United Kingdom  
1-10-2009

Please visit our website

**www.blackanddecker.co.uk** to register your new Black & Decker product and to be kept up to date on new products and special offers. Further information on the Black & Decker brand and our range of products is available at **www.blackanddecker.co.uk**

UK patent application no.: 059745.6

European Community design application nos.:  
340385-0001 & 339544-0001

### Guarantee

Black & Decker is confident of the quality of its products and offers an outstanding guarantee. This guarantee statement is in addition to and in no way prejudices your statutory rights. The guarantee is valid within the territories of the Member States of the European Union and the European Free Trade Area.

If a Black & Decker product becomes defective due to faulty materials, workmanship or lack of conformity, within 24 months from the date of purchase, Black & Decker guarantees to replace defective parts, repair products subjected to fair wear and tear or replace such products to ensure minimum inconvenience to the customer unless:

- ◆ The product has been used for trade, professional or hire purposes;
- ◆ The product has been subjected to misuse or neglect;
- ◆ The product has sustained damage through foreign objects, substances or accidents;
- ◆ Repairs have been attempted by persons other than authorised repair agents or Black & Decker service staff.

To claim on the guarantee, you will need to submit proof of purchase to the seller or an authorised repair agent. You can check the location of your nearest authorised repair agent by contacting your local Black & Decker office at the address indicated in this manual. Alternatively, a list of authorised Black & Decker repair agents and full details of our after-sales service and contacts are available on the Internet at: **www.2helpU.com**

## Bestimmungsgemäße Verwendung

Ihr Black & Decker Trimmer wurde zum Trimmen und Beschneiden von Rasenkanten sowie zum Schneiden von Gras an schwer zugänglichen Stellen entwickelt. Dieses Gerät ist nicht für den gewerblichen Einsatz vorgesehen.

## Sicherheitshinweise

**Achtung!** Bei der Verwendung netzbetriebener Geräte sind zum Schutz vor Feuergefahr, elektrischen Schlägen sowie Körperverletzungen und Sachschäden grundlegende Sicherheitsmaßnahmen einschließlich der folgenden Vorschriften zu beachten.

- ◆ Lesen Sie diese Anleitung gründlich durch, bevor Sie das Gerät verwenden.
- ◆ Die bestimmungsgemäße Verwendung ist in dieser Bedienungsanleitung beschrieben. Das Verwenden anderer als der in dieser Anleitung empfohlenen Vorsatzgeräte und Zubehörteile oder die Ausführung von Arbeiten mit diesem Gerät, die nicht der bestimmungsgemäßen Verwendung entsprechen, kann zu Unfallgefahren führen.
- ◆ Bewahren Sie diese Anleitung auf.

## Gebrauch des Gerätes

Gehen Sie beim Gebrauch des Geräts stets vorsichtig vor.

- ◆ Verwenden Sie immer eine Schutzbrille.
- ◆ Untersagen Sie Kindern sowie Personen, die sich mit dem Inhalt dieser Anleitung nicht auskennen, die Verwendung dieses Geräts.
- ◆ Halten Sie Kinder und Tiere vom Arbeitsbereich fern, und sorgen Sie dafür, daß Gerät und Netzkabel nicht berührt werden.
- ◆ Wird das Gerät in der Nähe von Kindern verwendet, so ist äußerste Achtsamkeit geboten.
- ◆ Dieses Gerät darf ohne Aufsicht nicht von jungen oder schwachen Personen verwendet werden.
- ◆ Dieses ist kein Spielzeug!
- ◆ Verwenden Sie das Gerät nur bei Tageslicht oder guter künstlicher Beleuchtung.
- ◆ Verwenden Sie es nur an trockenen Orten. Lassen Sie das Gerät nicht nass werden.
- ◆ Tauchen Sie das Gerät nicht in Wasser ein.
- ◆ Öffnen Sie nicht das Gehäuse. Das Gerät enthält keine vom Benutzer zu wartenden Teile.
- ◆ Betreiben Sie das Gerät nicht in explosionsgefährdeter Umgebung, in der sich brennbare Flüssigkeiten, Gase oder Stäube befinden.

- ◆ Um die Gefahr von Schäden an Steckern oder Leitungen zu verringern, ziehen Sie niemals am Kabel, um den Stecker aus einer Steckdose zu entfernen.

## Sicherheit anderer Personen

- ◆ Dieses Gerät darf nicht von Personen (einschließlich Kindern) mit eingeschränkten körperlichen, sensorischen oder geistigen Fähigkeiten verwendet werden. Auch darf es nicht von Personen verwendet werden, die keine Erfahrung mit dem Gerät oder Kenntnis darüber haben, es sei denn, sie stehen beim Gebrauch unter der Aufsicht und Anleitung einer für deren Sicherheit verantwortlichen Person.
- ◆ Kinder müssen beaufsichtigt werden, um sicherzustellen, daß sie nicht mit dem Gerät spielen.

## Nach der Verwendung

- ◆ Das unbenutzte Gerät ist an einem trockenen, gut belüfteten und für Kinder nicht erreichbaren Ort aufzubewahren.
- ◆ Kinder sollten keinen Zugang zu aufbewahrten Geräten haben.
- ◆ Wird das Gerät in einem Fahrzeug aufbewahrt oder transportiert, so sollte es in den Kofferraum gelegt oder gesichert werden, um eine Bewegung durch plötzliche Geschwindigkeit- oder Fahrtrichtungsänderungen zu vermeiden.

## Überprüfung und Reparaturen

- ◆ Überprüfen Sie das Gerät vor dem Gebrauch auf beschädigte oder defekte Teile. Prüfen Sie, ob Teile gebrochen oder andere Zustände eingetreten sind, die die Funktion des Gerätes beeinträchtigen.
- ◆ Benutzen Sie das Gerät nicht, wenn irgendein Teil defekt ist.
- ◆ Lassen Sie defekte Teile immer von einer unserer Kundendienstwerkstätten reparieren oder austauschen.
- ◆ Versuchen Sie nie, irgendwelche Teile zu entfernen oder auszutauschen, die nicht in dieser Anleitung beschrieben werden.

## Verwendung eines Verlängerungskabels

Verwenden Sie nur zugelassene Verlängerungskabel, die sich für die Leistungsaufnahme dieses Geräts eignen (siehe technische Daten). Das Verlängerungskabel muß für den Einsatz im Freien geeignet und entsprechend gekennzeichnet sein. Ein bis zu 30 m langes 1,5 mm<sup>2</sup> HO5VV-F-

Verlängerungskabel kann verwendet werden, ohne daß Leistungsverluste entstehen. Überprüfen Sie das Verlängerungskabel vor dem Gebrauch auf Beschädigung, Verschleiß und Alterserscheinungen. Tauschen Sie ein beschädigtes oder defektes Verlängerungskabel aus. Rollen Sie das Kabel bei Verwendung einer Kabeltrommel immer völlig aus.

## Zusätzliche Sicherheitsanweisungen für Rasentrimmer

**Achtung!** Wird der Motor ausgeschaltet, so laufen die Schneidelemente nach.

- ◆ Machen Sie sich mit den Bedienungselementen und dem richtigen Gebrauch des Geräts vertraut.
- ◆ Überprüfen Sie vor dem Gebrauch das Netz- und Verlängerungskabel auf Beschädigung, Alterung und Verschleiß. Falls ein Kabel beim Gebrauch beschädigt wird, trennen Sie das Kabel sofort vom Netz. **BERÜHREN SIE DAS KABEL NICHT, SOLANGE ES NOCH NICHT VOM NETZ GETRENNT IST.**
- ◆ Verwenden Sie das Gerät nicht, wenn die Kabel beschädigt oder verschlissen sind.
- ◆ Tragen Sie zum Schutz Ihrer Füße feste Schuhe oder Stiefel.
- ◆ Tragen Sie zum Schutz Ihrer Beine eine lange Hose.
- ◆ Bevor Sie das Gerät verwenden, vergewissern Sie sich, daß der Schneidebereich frei von Stöcken, Steinen, Draht und anderen Fremdkörpern ist.
- ◆ Verwenden Sie das Gerät nur in aufrechter Position, mit dem Schneidfaden nahe am Boden. Schalten Sie das Gerät nie ein, wenn es sich in einer anderen Position befindet.
- ◆ Bewegen Sie sich während der Arbeit mit dem Gerät nur langsam. Beachten Sie, daß frisch geschnittener Rasen feucht und rutschig ist.
- ◆ Arbeiten Sie nicht auf steilen Hängen. Schneiden Sie entlang der Böschung, nie von oben nach unten.
- ◆ Überqueren Sie keine Kieselpfade oder -wege, während das Gerät läuft.
- ◆ Berühren Sie nie den Schneidfaden, während das Gerät läuft.
- ◆ Legen Sie das Gerät erst ab, wenn der Schneidfaden zum Stillstand gekommen ist.
- ◆ Verwenden Sie ausschließlich Schneidfäden des richtigen Typs. Verwenden Sie nie Schneidfäden aus Metall oder Angelschnur.
- ◆ Achten Sie darauf, daß Sie das Fadenkappmesser nicht berühren.

- ◆ Halten Sie das Netzkabel vom Schneidfaden fern. Achten Sie immer auf die Lage des Kabels.
- ◆ Halten Sie stets die Hände und Füße vom Schneidfaden fern, besonders beim Einschalten des Motors.
- ◆ Vor der Verwendung des Geräts und nach jeder Stoßeinwirkung prüfen Sie das Gerät auf Anzeichen von Verschleiß und Beschädigungen und führen Sie gegebenenfalls Reparaturen aus.
- ◆ Betreiben Sie das Gerät niemals mit beschädigten oder nicht angebrachten Schutzvorrichtungen.
- ◆ Schützen Sie sich vor Verletzungen durch Einrichtungen, die zum Kürzen des Fadens angebracht sind. Nach dem Verlängern des neuen Schneidfadens bringen Sie das Gerät wieder in seine normale Betriebsposition, bevor Sie es einschalten.
- ◆ Vergewissern Sie sich stets, daß die Ventilationsschlitze frei von Unrat sind.
- ◆ Verwenden Sie den Rasentrimmer (Kantentrimmer) nicht, wenn die Leitungen beschädigt oder verschlissen sind.
- ◆ Halten Sie Verlängerungsleitungen immer von den Schneidelementen fern.

## Schilder auf dem Gerät

Das Gerät ist mit folgenden Warnsymbolen versehen:



Lesen Sie vor der Inbetriebnahme die Anleitung.



Tragen Sie bei der Verwendung dieses Geräts eine Schutzbrille!



Halten Sie Umstehende und Tiere mindestens 6 m vom Arbeitsbereich fern.



Setzen Sie das Gerät keinem Regen oder hoher Feuchtigkeit aus.

## Elektrische Sicherheit



Dieses Gerät ist schutzisoliert, daher ist keine Erdleitung erforderlich. Überprüfen Sie immer, ob die Netzspannung der auf dem Typenschild des Elektrowerkzeuges angegebenen Spannung entspricht.

- ◆ Falls das Netzkabel beschädigt ist, so ist es vom Hersteller oder einem autorisierten Black & Decker Service Center auszutauschen, um Gefahren vorzubeugen.

## Merkmale

Dieses Gerät weist einige oder alle der folgenden Merkmale auf:

1. Ein-/Aus-Schalter
2. Handgriff
3. Kabelzugentlastung
4. Netzanschluß
5. Zweithandgriff
6. Einstellknopf
7. Rohr
8. Schutzvorrichtung
9. Faden-Kappmesser
10. Spulengehäuse
11. Schneidfaden
12. Kantenführung

## Montage

**Achtung!** Vergewissern Sie sich vor der Montage, daß das Gerät ausgeschaltet ist und daß der Netzstecker gezogen wurde.

### Anbringen der Schutzvorrichtung (Abb. A)

- ◆ Entfernen Sie die Sechskantschrauben (13) vom Kopf (14).
- ◆ Bringen Sie die Schutzvorrichtung (8) gemäß Abbildung am Gerät an.
- ◆ Drücken Sie die Schutzvorrichtung fest auf das Gerät, bis sie einrastet.
- ◆ Sichern Sie die Schutzvorrichtung mit den Sechskantschrauben.
- ◆ Ziehen Sie die Sechskantschrauben mit dem mitgelieferten Sechskantschlüssel (15) an.

**Achtung!** Verwenden Sie das Gerät nur, wenn die Schutzvorrichtung ordnungsgemäß montiert ist.

### Lösen des Schneidfadens

Ab Werk ist der Schneidfaden mit Klebeband am Spulengehäuse befestigt.

- ◆ Entfernen Sie das Klebeband, mit dem der Schneidfaden (11) am Spulengehäuse (10) befestigt ist.

### Anschließen des Gerätes an das Netz

- ◆ Schließen Sie die Steckdose eines geeigneten Verlängerungskabels an den Netzanschluß (4) an.
- ◆ Führen Sie das Kabel durch die Zugentlastung (3).
- ◆ Stecken Sie den Netzstecker in eine Steckdose.

**Achtung!** Das Verlängerungskabel muß für den Einsatz im Freien geeignet sein.

### Restrisiken.

Für den Gebrauch dieses Geräts verbleiben zusätzliche Restrisiken, die möglicherweise

nicht in den Sicherheitswarnungen genannt werden. Diese Risiken bestehen beispielsweise bei Missbrauch oder längerem Gebrauch. Auch bei der Einhaltung der entsprechenden Sicherheitsvorschriften und der Verwendung aller Sicherheitsgeräte bestehen weiterhin bestimmte Restrisiken. Diese werden im Folgenden aufgeführt:

- ◆ **Verletzungen, die durch das Berühren von sich drehenden/bewegenden Teilen verursacht werden.**
- ◆ **Verletzungen, die durch das Austauschen von Teilen, Messern oder Zubehör verursacht werden.**
- ◆ **Verletzungen, die durch längeren Gebrauch eines Geräts verursacht werden. Legen Sie bei längerem Gebrauch regelmäßige Pausen ein.**
- ◆ **Beeinträchtigung des Gehörs.**
- ◆ **Gesundheitsrisiken durch das Einatmen von Staub beim Gebrauch des Geräts (Beispielsweise bei Holzarbeiten, insbesondere Eiche, Buche und Pressspan).**

## Gebrauch

**Achtung!** Beschleunigen Sie den Arbeitsvorgang nicht mit Gewalt. Vermeiden Sie eine Überlastung des Gerätes.

### Einstellen des Geräts auf die Trimm- oder Kantenschnitt-Betriebsart (Abb. B - D)

Dieses Gerät kann sowohl zum Trimmen wie in Abb. B als auch zum Kantenschneiden (Beschneiden überhängenden Grases entlang Rasenkanten und Blumenbeeten) wie in Abb. C verwendet werden.

### Trimm-Betriebsart (Abb. B & D)

Beim Trimmen muß sich der Trimmerkopf in der in Abb. B angegebenen Position befinden. Ist dies nicht der Fall:

- ◆ Drücken Sie auf den Einstellknopf (6).
- ◆ Drehen Sie das Rohr (7), während Sie den Knopf loslassen.
- ◆ Befindet sich der Kopf in seiner Position, so rastet der Knopf ein.

Hinweis: Das Rohr läßt sich nur in eine Richtung drehen.

### Kantenschnitt-Betriebsart (Abb. C & D)

Beim Kantenschneiden muß sich der Trimmerkopf in der in Abb. C angegebenen Position befinden. Ist dies nicht der Fall:

- ◆ Drücken Sie auf den Einstellknopf (6).

- ◆ Drehen Sie das Rohr (7), während Sie den Knopf loslassen.
- ◆ Befindet sich der Kopf in seiner Position, so rastet der Knopf ein.

**Hinweis:** Das Rohr läßt sich nur in eine Richtung drehen.

## Einstellen der Gerätehöhe (Abb. D)

Dieses Gerät hat einen Teleskopmechanismus, so daß Sie es auf eine komfortable Höhe einstellen können. Drei Höheneinstellungen sind möglich. Um die Höhe einzustellen, gehen Sie folgendermaßen vor:

- ◆ Drücken Sie auf den Einstellknopf (6).
- ◆ Ziehen Sie das Rohr (7) ohne Gewalt aus dem Motorgehäuse (16) bis zur gewünschten Höhe heraus, während Sie den Knopf loslassen.
- ◆ Befindet sich das Rohr in seiner Lage, so rastet der Knopf ein.

## Ein- und Ausschalten

- ◆ Um das Gerät einzuschalten, drücken Sie auf den Einschalthebel (1).
- ◆ Um das Gerät auszuschalten, lassen Sie Einschalthebel los.

**Achtung!** Versuchen Sie niemals, den Einschalthebel im eingeschalteten Zustand zu verriegeln.

## Hinweise für optimale Arbeitsergebnisse

### Allgemeines

- ◆ Um optimale Schnittergebnisse zu erzielen, schneiden Sie nur trockenes Gras.

### Trimmen

- ◆ Halten Sie das Gerät wie in Abb. B dargestellt.
- ◆ Schwenken Sie den Trimmer gleichmäßig von einer Seite zur anderen.
- ◆ Bei langem Gras arbeiten Sie stufenweise in kleinen Schritten von oben nach unten. Führen Sie kleine Schnitte aus.
- ◆ Halten Sie das Gerät von harten Gegenständen und empfindlichen Pflanzen fern.
- ◆ Falls das Gerät beginnt, langsam zu laufen, verringern Sie die Belastung.

### Kantenschneiden

Optimale Schnittergebnisse erhalten Sie bei Kanten mit einer Tiefe von mindestens 50 mm.

- ◆ Verwenden Sie das Gerät nicht zum Bilden neuer Kanten. Verwenden Sie zum Bilden von Kanten einen Kantenspaten.
- ◆ Führen Sie das Gerät gemäß Abb. C.

- ◆ Um einen kürzeren Schnitt zu erzielen, neigen Sie das Gerät ein wenig.

## Anbringen einer neuen Fadenspule (Abb. E & G)

Neue Spulen mit Schneidfaden sind bei Ihrem Black & Decker Händler erhältlich (Bestellnummer A6495).

- ◆ Halten Sie die Zungen (17) gedrückt und entfernen Sie den Spulendeckel (18) vom Gehäuse (10).
- ◆ Entfernen Sie die leere Spule (19) aus dem Spulengehäuse.
- ◆ Entfernen Sie Schmutzreste und Gras vom Spulendeckel und aus dem Gehäuse.
- ◆ Setzen Sie die neue Spule auf die Nabe im Spulengehäuse, wobei die Fäden in die Schlitze (23) eingesetzt werden müssen (Abb. F).
- ◆ Führen Sie die Fädenenden durch die entsprechenden Ösen (20) im Gehäuse (10). Ziehen Sie am lockeren Faden, bis er aus den Schlitzen (23) herausgezogen wird (Abb. G).
- ◆ Richten Sie die Zungen (17) am Spulendeckel mit den Aussparungen (21) im Gehäuse aus.
- ◆ Drücken Sie den Deckel (18) auf das Gehäuse (10), bis er sicher einrastet.

**Hinweis:** Vergewissern Sie sich, daß der Deckel richtig sitzt. Es müssen zwei Klicks hörbar sein, damit sichergestellt ist, daß beide Zungen (17) richtig sitzen.

**Achtung!** Falls die Schneidfäden aus dem Faden-Kappmesser (9) herausragen, schneiden Sie die Fäden ab, so daß sie gerade bis zum Faden-Kappmesser reichen.

## Aufwickeln neuen Fadens auf eine leere Spule (Abb. H - J)

Sie können einen neuen Schneidfaden auf eine leere Spule aufwickeln. Neuer, loser Schneidfaden ist bei Ihrem Black & Decker Händler erhältlich (Bestellnummer A6171).

- ◆ Entfernen Sie die leere Spule gemäß Beschreibung oben vom Gerät.
- ◆ Entfernen Sie etwaige Fadenreste von der Spule.
- ◆ Wickeln Sie zuerst neuen Faden auf den oberen Teil der Spule auf:
  - Führen Sie 2 cm Schneidfaden wie abgebildet in einen der Schlitze oben in der Spule.
  - Wickeln Sie den Schneidfaden in Richtung des Pfeils auf die Spule auf. Achten Sie darauf, daß Sie den Faden sauber und in

- Schichten aufwickeln. Vermeiden Sie ein kreuzweises Aufwickeln.
- Wenn der aufgewickelte Faden die Aussparungen (22) erreicht, schneiden Sie ihn ab.
- Klemmen Sie den Schneidfaden wie angegeben vorübergehend in die Schlitze (23) an einer Seite der Spule.
- ◆ Wiederholen Sie den oben beschriebenen Vorgang für den zweiten Schneidfaden auf dem unteren Teil der Spule. Klemmen Sie den Faden in die noch freien Schlitze (23).
- ◆ Um die Spule am Gerät anzubringen, gehen Sie wie oben beschrieben vor. Vergessen Sie nicht, den Faden aus den Schlitzen (23) zu lösen.

**Achtung!** Verwenden Sie ausschließlich Black & Decker Schneidfaden des richtigen Typs. Achten Sie darauf, daß auf beiden Teilen der Spule Schneidfaden vorhanden ist.

### Störungsbehebung

Falls Ihr Gerät nicht ordnungsgemäß funktioniert, befolgen Sie folgende Hinweise. Falls die Störung damit nicht behoben wird, wenden Sie sich bitte an den Black & Decker Kundendienst.

**Achtung!** Bevor Sie die folgenden Schritte vornehmen, ziehen Sie den Netzstecker.

### Das Gerät läuft langsam

- ◆ Überprüfen Sie, ob sich das Spulengehäuse frei drehen kann. Reinigen Sie es gegebenenfalls sorgfältig.
- ◆ Vergewissern Sie sich, daß die Länge des aus dem Spulengehäuse hervorstehenden Schneidfadens 11 cm nicht überschreitet. Falls doch, dann schneiden Sie den Faden ab, so daß er gerade das Faden-Kappmesser erreicht.

### Die automatische Fadenzufuhr funktioniert nicht.

- ◆ Halten Sie die Zungen gedrückt und nehmen Sie den Spulendeckel vom Gehäuse.
- ◆ Ziehen Sie am Schneidfaden, bis er 11 cm aus dem Spulengehäuse hervorsteht. Falls der Schneidfaden auf der Spule nicht mehr ausreicht, setzen Sie wie oben beschrieben eine neue Fadenspule ein.
- ◆ Richten Sie die Zungen am Spulendeckel mit den Aussparungen im Gehäuse aus.
- ◆ Drücken Sie den Deckel auf das Gehäuse, bis er sicher einrastet.

- ◆ Falls der Schneidfaden über das Faden-Kappmesser hinaus hervorsteht, schneiden Sie den Faden ab, so daß er gerade bis zum Faden-Kappmesser reicht.

Falls die automatische Fadenzufuhr immer noch nicht funktioniert oder die Spule klemmt, versuchen Sie folgendes:

- ◆ Reinigen Sie sorgfältig den Spulendeckel und das Spulengehäuse.
- ◆ Entfernen Sie die Spule und überprüfen Sie, ob sich der Hebel frei bewegen kann.
- ◆ Entfernen Sie die Spule, und wickeln Sie den Faden ab. Wickeln Sie den Faden dann wie oben beschrieben wieder sauber auf. Bringen Sie die Spule wieder wie beschrieben an.

### Wartung

Ihr netz- oder akkubetriebenes Black & Decker Gerät/Werkzeug wurde im Hinblick auf eine lange Lebensdauer und einen möglichst geringen Wartungsaufwand entwickelt. Ein dauerhafter, einwandfreier Betrieb setzt eine regelmäßige Pflege und Reinigung voraus.

**Achtung!** Vor der Durchführung von Wartungsarbeiten an Elektrogeräten/-werkzeugen mit oder ohne Netzleitung:

- ◆ Schalten Sie das Gerät/Werkzeug aus und ziehen Sie den Netzstecker.
- ◆ Oder schalten Sie das Gerät aus und entfernen Sie den Akku aus dem Gerät/Werkzeug, falls das Gerät/Werkzeug einen eigenen Akku hat.
- ◆ Oder lassen Sie den Akku vollkommen leerlaufen, falls dieser im Gerät eingebaut ist. Schalten Sie das Gerät dann aus.
- ◆ Ziehen Sie den Netzstecker des Ladegeräts aus der Steckdose, bevor Sie es reinigen. Ihr Ladegerät bedarf keinerlei Wartung außer einer regelmäßigen Reinigung.
- ◆ Reinigen Sie regelmäßig die Lüftungsschlitze im Gerät/ Werkzeug/Ladegerät mit Hilfe einer weichen Bürste oder eines trockenen Lappens.
- ◆ Reinigen Sie regelmäßig das Motorgehäuse mit Hilfe eines feuchten Lappens. Verwenden Sie keine scheuernden Reinigungsmittel oder Reinigungsmittel auf Lösungsmittelbasis.
- ◆ Reinigen Sie regelmäßig das Spannfutter (falls angebracht), indem Sie es öffnen und durch leichtes Klopfen den Staub aus dem Inneren entfernen.

## Umweltschutz



Getrennte Entsorgung. Dieses Produkt darf nicht über den normalen Hausmüll entsorgt werden.

Sollte Ihr Black & Decker Produkt eines Tages erneuert werden müssen, oder falls Sie es nicht weiter verwenden wollen, so darf es nicht über den Hausmüll entsorgt werden. Stellen Sie dieses Produkt zur getrennten Entsorgung bereit.



Durch die getrennte Entsorgung gebrauchter Produkte und Verpackungen können die Materialien recycelt und wiederverwertet werden. Die Wiederverwertung recycelter Materialien schont die Umwelt und verringert die Nachfrage nach Rohstoffen.

Die regionalen Bestimmungen schreiben unter Umständen die getrennte Entsorgung elektrischer Produkte aus dem Haushalt an Sammelstellen oder seitens des Händlers vor, bei dem Sie das neue Produkt erworben haben.

Black & Decker nimmt Ihre ausgedienten Black & Decker Geräte gern zurück und sorgt für eine umweltfreundliche Entsorgung und Wiederverwertung. Um diesen Dienst zu nutzen, schicken Sie bitte Ihr Produkt zu einer Vertragswerkstatt. Hier wird es dann auf unsere Kosten gesammelt.

Die Adresse der zuständigen Black & Decker Vertretung steht in diesem Handbuch, darüber läßt sich die nächstgelegene Vertragswerkstatt ermitteln. Außerdem ist eine Liste der Vertragswerkstätten und aller Kundendienststellen von Black & Decker sowie der zuständigen Ansprechpartner im Internet zu finden unter: [www.2helpU.com](http://www.2helpU.com)

### Technische Daten

|                   |                   | GL701<br>TYPE 3-5 | GL710<br>TYPE 3-5 | GL716<br>TYPE 3-5 |
|-------------------|-------------------|-------------------|-------------------|-------------------|
| Spannung          | $V_{AC}$          | 230               | 230               | 230               |
| Leistungsaufnahme | W                 | 550               | 520               | 580               |
| Leerlaufdrehzahl  | $\text{min}^{-1}$ | 6 500             | 6 500             | 6 500             |
| Gewicht           | kg                | 3,2               | 3,2               | 3,2               |

|                   |                   | GL720<br>TYPE 3-5 | GL741<br>TYPE 3-5 |
|-------------------|-------------------|-------------------|-------------------|
| Spannung          | $V_{AC}$          | 230               | 230               |
| Leistungsaufnahme | W                 | 600               | 700               |
| Leerlaufdrehzahl  | $\text{min}^{-1}$ | 6 500             | 6 500             |
| Gewicht           | kg                | 3,2               | 3,2               |

Gewichteter Hand-/Arm-Vibrationswert nach EN 786: = 7,5  $\text{m/s}^2$ , Unsicherheitsfaktor (K) = 1,5  $\text{m/s}^2$

## EG-Konformitätserklärung

MASCHINENRICHTLINIE  
AUSSENLÄRM-RICHTLINIE



### GL701/GL710/GL716/GL720/GL741

Black & Decker erklärt, daß diese unter „Technische Daten“ beschriebenen Produkte folgende Richtlinien erfüllen: 98/37/EC (bis 28. Dez. 2009), 2006/42/EC (ab 29. Dez. 2009), EN 60335-1, EN 60335-2-91

2000/14/EG, Rasenmäher,  $L \leq 50$  cm, Anhang VIII  
KEMA Quality B.V., Utrechtseweg 310, 6802 ED  
Arnhem, Niederlande  
Notified Body ID No.: 0344

Rasentrimmer 2000/14/EG (Artikel 12, Anhang III,  
 $L \leq 50$  cm):

$L_{WA}$  (gemessene Schalleistung) 95 dB(A)  
Unsicherheitsfaktor (K) = 3 dB(A)

$L_{WA}$  (garantierte Schalleistung) 96 dB(A)  
Unsicherheitsfaktor (K) = 3 dB(A)

Diese Produkte entsprechen auch Richtlinie 2004/108/EG. Wenden Sie sich für weitere Informationen bitte an folgende Black & Decker Anschrift bzw. an die hinten im Handbuch angegebene Anschrift.

Der Unterzeichnete ist für die Zusammenstellung der technischen Datei verantwortlich und gibt diese Erklärung im Namen von Black & Decker ab.

Kevin Hewitt  
Vizepräsident Global  
Engineering  
Black & Decker Europe,  
210 Bath Road, Slough,  
Berkshire, SL1 3YD  
United Kingdom  
1-10-2009

UK-Patentanmeldungen Nr.: 059745.6

EG-Designanmeldungsnummern: 340385-0001 & 339544-0001



## Garantie

Black & Decker vertraut auf die Qualität der eigenen Geräte und bietet dem Käufer eine außergewöhnliche Garantie. Diese Garantiezusage versteht sich unbeschadet der gesetzlichen Gewährleistungsansprüche und schränkt diese keinesfalls ein. Sie gilt in sämtlichen Mitgliedsstaaten der Europäischen Union und der Europäischen Freihandelszone EFTA.

Tritt innerhalb von 24 Monaten ab Kaufdatum an einem Gerät von Black & Decker ein auf Material- oder Verarbeitungsfehler zurückzuführender Mangel auf, garantiert Black & Decker den Austausch defekter Teile, die Reparatur von Geräten mit üblichem Verschleiß bzw. den Austausch eines mangelhaften Geräts, ohne den Kunden dabei mehr als unbedingt nötig in Anspruch zu nehmen, allerdings vorbehaltlich folgender Ausnahmen:

- ◆ wenn das Gerät gewerblich, beruflich oder im Verleihgeschäft benutzt wurde;
- ◆ wenn das Gerät mißbräuchlich verwendet oder mit mangelnder Sorgfalt behandelt wurde;
- ◆ wenn das Gerät durch irgendwelche Fremdeinwirkung beschädigt wurde;
- ◆ wenn ein unbefugter Reparaturversuch durch anderes Personal als das einer Vertragswerkstatt oder des Black & Decker-Kundendienstes unternommen wurde.

Zur Inanspruchnahme dieser Garantie ist dem Verkäufer bzw. der Vertragswerkstatt ein Kaufnachweis vorzulegen. Der Kaufnachweis muß Kaufdatum und Gerätetyp bescheinigen. Die Adresse des zuständigen Büros von Black & Decker steht in dieser Anleitung, darüber läßt sich die nächstgelegene Vertragswerkstatt ermitteln. Außerdem ist eine Liste der Vertragswerkstätten und aller Kundendienststellen von Black & Decker sowie der zuständigen Ansprechpartner im Internet zu finden unter: **www.2helpU.com**

Bitte besuchen Sie unsere Webseite **www.blackanddecker.de**, um Ihr neues Black & Decker Produkt zu registrieren und über neue Produkte und Sonderangebote aktuell informiert zu werden. Weitere Informationen über die Marke Black & Decker und unsere Produkte finden Sie unter **www.blackanddecker.de**

## Utilisation prévue

Votre débroussailluse Black & Decker a été conçue pour tailler et arranger les bordures de pelouse et pour couper l'herbe dans des espaces réduits. Cet appareil est réservé à un usage domestique.

## Instructions de sécurité

**Attention !** Lors de l'utilisation d'appareils électriques, observez les consignes de sécurité fondamentales, y compris celles qui suivent, afin de réduire les risques d'incendie, de décharges électriques, de blessures et de dommages matériels.

- ◆ Lisez avec soin l'ensemble de ce manuel avant d'utiliser l'appareil.
- ◆ Le présent manuel décrit l'utilisation prévue. Une utilisation de l'appareil autre que celles prévues dans le présent manuel ou l'utilisation d'accessoires autres que ceux recommandés dans le présent manuel peut présenter un risque de blessure.
- ◆ Conservez ce manuel à titre de référence.

## Utilisation de votre appareil

Utilisez toujours cet appareil avec précaution.

- ◆ Portez toujours des lunettes ou un masque de protection.
- ◆ Ne laissez jamais aucun enfant ou aucune personne non familiarisée avec les instructions utiliser cet appareil.
- ◆ Ne laissez pas les enfants ou les animaux s'approcher de l'aire de travail voire toucher l'appareil ou le cordon d'alimentation.
- ◆ Redoublez de vigilance lorsque l'appareil est utilisé à proximité d'enfants.
- ◆ Cet appareil n'est pas destiné à être utilisé par des jeunes ou des personnes infirmes sans supervision.
- ◆ Cet appareil ne saurait être utilisé comme un jouet.
- ◆ Utilisez l'appareil uniquement à la lumière du jour ou sous un éclairage artificiel efficace.
- ◆ Utilisez uniquement dans un endroit sec. Ne laissez pas l'appareil se mouiller.
- ◆ N'immergez pas l'appareil dans l'eau.
- ◆ N'ouvrez pas le boîtier principal. Il ne contient aucune pièce susceptible d'être réparée.
- ◆ N'utilisez pas l'appareil dans un environnement explosible, ainsi en présence de gaz, poussières ou liquides inflammables.
- ◆ Afin de réduire les risques d'endommager les fiches et cordons, ne tirez jamais sur le câble pour débrancher la fiche de la prise.

## Sécurité des tiers

- ◆ Cet appareil n'est pas destiné à être utilisé par des personnes (notamment des enfants) présentant des capacités physiques, sensorielles ou mentales limitées voire dépourvues de connaissance et d'expérience, sauf si elles sont supervisées ou ont reçu des instructions pour l'usage de l'appareil par une personne responsable de leur sécurité.
- ◆ Les enfants doivent être surveillés pour s'assurer qu'ils ne jouent pas avec l'appareil.

## Après utilisation

- ◆ S'il n'est pas utilisé, rangez l'appareil dans un endroit sec, bien ventilé et hors de la portée des enfants.
- ◆ Les enfants ne doivent pas pouvoir accéder aux appareils, même rangés.
- ◆ Si l'appareil est rangé ou transporté dans un véhicule, il doit être placé dans le coffre ou fixé afin d'éviter tout mouvement inopiné en cas de changement brusque de direction ou de vitesse.

## Inspection et réparations

- ◆ Avant d'utiliser l'appareil, vérifiez qu'il n'est pas endommagé et qu'aucune pièce n'est défectueuse. Assurez-vous que les pièces ne sont pas endommagés et recherchez tout autre facteur qui pourrait nuire à son fonctionnement.
- ◆ N'utilisez pas l'appareil si une pièce est endommagée ou défectueuse.
- ◆ Faites réparer ou remplacer toute pièce endommagée par un réparateur agréé.
- ◆ N'essayez jamais d'enlever ou de changer des pièces autres que celles spécifiées dans ce manuel.

## Utilisation d'une rallonge

Utilisez toujours une rallonge agréée, adaptée à la puissance d'alimentation de cet appareil (voir caractéristiques techniques). Le câble de rallonge doit être adapté pour le travail en extérieur et marqué en conséquence. Des rallonges HO5VV-F de 1,5 mm<sup>2</sup> pour 30 m de long peuvent être utilisées sans perte de puissance. Avant utilisation, assurez-vous que la rallonge n'est ni endommagée ni usée. Changez le câble de rallonge s'il est endommagé ou défectueux. En cas d'utilisation d'un dévidoir, déroulez toujours le câble complètement.

## Instructions de sécurité supplémentaires pour les débroussailleuses

**Attention !** Les éléments de coupe continuent de tourner une fois le moteur arrêté.

- ◆ Familiarisez-vous avec les commandes et l'utilisation correcte de cet appareil.
- ◆ Avant toute utilisation, vérifiez que le câble électrique et sa rallonge ne sont ni endommagés, ni usés. Si un câble est endommagé pendant le travail, débranchez-le immédiatement du secteur. **NE TOUCHEZ PAS LE CÂBLE AVANT D'AVOIR COUPÉ L'ALIMENTATION.**
- ◆ N'utilisez pas l'appareil lorsque les câbles sont usés ou endommagés.
- ◆ Portez des chaussures ou des bottes renforcées pour protéger vos pieds.
- ◆ Portez un pantalon long pour protéger vos jambes.
- ◆ Avant d'utiliser l'appareil, vérifiez qu'aucun bâton, fil de fer, pierre ou aucun autre obstacle n'obstrue la zone de coupe.
- ◆ Utilisez seulement l'appareil en position verticale, en maintenant le fil de coupe près du sol. N'allumez jamais l'appareil dans une autre position.
- ◆ Déplacez-vous lentement lorsque vous utilisez l'appareil. Faites attention car l'herbe fraîchement coupée est humide et glissante.
- ◆ Ne travaillez pas sur un sol très pentu. Travaillez perpendiculairement à la pente et non en montant ou en descendant.
- ◆ Ne traversez jamais de chemins ou de routes en gravier lorsque l'appareil fonctionne.
- ◆ Ne touchez jamais le fil de coupe lorsque l'appareil fonctionne.
- ◆ Ne posez pas l'appareil avant que le fil de coupe ne se soit complètement arrêté.
- ◆ Utilisez uniquement le type correct de fil de coupe. N'utilisez jamais de fil de coupe métallique ni de fil de pêche.
- ◆ Veillez à ne pas toucher la lame coupe-fil.
- ◆ Maintenez le câble secteur écarté du fil de coupe. Surveillez toujours la position du câble.
- ◆ Tenez vos mains et vos pieds à distance du fil de coupe à tout moment, plus particulièrement au démarrage du moteur.
- ◆ Avant d'utiliser l'appareil et après tout impact, vérifiez qu'il n'est pas endommagé ou usé. Réparez-le au besoin.
- ◆ N'utilisez jamais l'appareil si les protections sont endommagées ou manquantes.

- ◆ Attention aux blessures occasionnées par tout dispositif installé pour couper la longueur du fil de coupe. Après avoir tiré sur le fil de coupe, remplacez toujours la machine sur sa position de fonctionnement normale avant de l'allumer.
- ◆ Vérifiez toujours que les orifices de ventilation sont bien débarrassés de tous débris.
- ◆ N'utilisez pas le coupe-bordures (débroussailleuse) si les câbles sont usés ou endommagés.
- ◆ Maintenez les rallonges à l'écart des éléments de coupe.

## Étiquettes sur l'appareil

Les symboles de prévention suivants sont indiqués sur l'appareil:



Lisez le manuel avant l'emploi.



Portez des lunettes de sécurité lorsque vous utilisez cet appareil.



Personnes et animaux doivent se trouver à plus de 6 m de la zone de coupe.



N'exposez pas l'appareil à la pluie ou une humidité élevée.

## Sécurité électrique



Cet appareil est doublement isolé ; par conséquent, aucun câble de masse n'est nécessaire. Vérifiez si la tension d'alimentation correspond à celle mentionnée sur la plaque signalétique.

- ◆ Si le câble d'alimentation est endommagé, il doit être remplacé par le fabricant ou par un centre de réparation agréé Black & Decker afin d'éviter tout accident.

## Caractéristiques

Cet appareil comprend toutes ou certaines des caractéristiques suivantes:

1. Interrupteur marche/arrêt
2. Poignée
3. Serre-câbles
4. Entrée d'alimentation
5. Poignée secondaire
6. Bouton de réglage
7. Tube
8. Carter de protection
9. Lame coupe-fil
10. Logement de bobine
11. Fil de coupe
12. Guide-bordures

## Montage

**Attention !** Avant l'assemblage, assurez-vous que l'appareil est éteint et débranché.

### Mise en place du carter de protection (fig. A)

- ◆ Retirez les vis hexagonales (13) de la tête (14).
- ◆ Placez le carter de protection (8) sur l'appareil comme illustré.
- ◆ Appuyez fermement sur le carter pour l'enclencher.
- ◆ Fixez le carter de protection avec les vis hexagonales.
- ◆ Serrez les vis hexagonales avec la clé hexagonale (15) fournie.

**Attention !** N'utilisez jamais l'appareil si le carter de protection est mal installé.

### Déroulement du fil de coupe.

Durant le travail, le fil de coupe est caché par le logement de bobine.

- ◆ Enlevez le ruban qui retient le fil de coupe (11) à la protection de la bobine (10).

### Branchement de l'appareil au secteur

- ◆ Branchez la prise femelle d'un fil de rallonge adapté à l'entrée d'alimentation électrique (4).
- ◆ Enroulez le câble autour du serre-câbles (3).
- ◆ Branchez la fiche secteur dans la prise secteur.

**Attention !** Le câble de rallonge doit être adapté pour le travail en extérieur.

### Risques résiduels.

L'utilisation d'un outil non mentionné dans les consignes de sécurité données peut entraîner des risques résiduels supplémentaires. Ces risques peuvent survenir si l'outil est mal utilisé, si l'utilisation est prolongée, etc. Malgré l'application des normes de sécurité correspondantes et la présence de dispositifs de sécurité, les risques résiduels suivants ne peuvent être évités. Ceci comprend:

- ◆ **Les blessures dues au contact avec une pièce mobile/ en rotation.**
- ◆ **Les blessures causées en changeant des pièces, lames ou accessoires.**
- ◆ **Les blessures dues à l'utilisation prolongée d'un outil. Une utilisation prolongée de l'outil nécessite des pauses régulières.**
- ◆ **Déficience auditive.**
- ◆ **Risques pour la santé causés par l'inhalation de poussières produites pendant l'utilisation de l'outil (exemple:**

**travail avec du bois, surtout le chêne, le hêtre et les panneaux en MDF).**

## Utilisation

**Attention !** Laissez l'outil fonctionner à sa propre vitesse. Ne le surchargez pas.

### Réglage de l'appareil en mode taille ou coupe (fig. B - D)

L'outil peut être utilisé en mode de taille comme indiqué en fig. B ou en mode coupe pour tailler de l'herbe en surplomb des bordures de pelouse et parterres de fleurs comme indiqué en fig. C.

#### Mode de taille (fig. B & D)

Pour la taille, la tête de la débroussailleuse doit être dans la position illustrée en fig. B. Si ce n'est pas le cas:

- ◆ Appuyez sur le bouton de réglage (6).
- ◆ Faites pivoter le tube (7) tout en relâchant le bouton.
- ◆ Lorsque la tête est correctement placée, le bouton se bloque.

Remarque: le tube ne tourne que dans un sens.

#### Mode de coupe (fig. C & D)

Pour couper, la tête de la débroussailleuse doit adopter la position indiquée en fig. C. Si ce n'est pas le cas:

- ◆ Appuyez sur le bouton de réglage (6).
- ◆ Faites pivoter le tube (7) tout en relâchant le bouton.
- ◆ Lorsque la tête est correctement placée, le bouton se bloque.

Remarque: le tube ne tourne que dans un sens.

### Réglage de la hauteur de l'appareil (fig. D)

L'appareil comporte un mécanisme télescopique, pour le régler à la hauteur la plus confortable.

Trois réglages de hauteur sont possibles. Pour régler la hauteur, procédez comme suit:

- ◆ Appuyez sur le bouton de réglage (6).
- ◆ Tirez doucement le tube (7) hors du carter du moteur (16) à la hauteur voulue, tout en relâchant le bouton.
- ◆ Une fois le tube en place, le bouton se bloque.

### Démarrage et arrêt

- ◆ Pour allumer l'appareil, appuyez sur l'interrupteur (1)
- ◆ Relâchez l'interrupteur pour éteindre l'appareil.

**Attention !** N'essayez jamais de bloquer l'interrupteur en position de marche.

## Conseils pour une utilisation optimale

### Généralités

- ◆ Pour des résultats de coupe optimaux, coupez uniquement de l'herbe sèche.

### Taille

- ◆ Tenez l'appareil comme indiqué en fig. B.
- ◆ Basculez doucement l'interrupteur d'un côté à l'autre.
- ◆ Lorsque vous coupez des herbes hautes, travaillez par étapes en commençant par le haut. Procédez par petites coupes.
- ◆ N'approchez pas l'appareil d'objets durs ni de plantes délicates.
- ◆ Si l'appareil commence à fonctionner lentement, réduisez la charge.

### Coupe

Pour des résultats de coupe optimaux, les bordures doivent être supérieures à 50 mm.

- ◆ N'utilisez pas l'appareil pour créer des bordures. Pour créer des bordures, utilisez une bêche.
- ◆ Guidez l'appareil comme indiqué en fig. C.
- ◆ Pour une coupe plus nette, inclinez légèrement l'appareil.

### Mise en place d'une nouvelle bobine de fil de coupe (fig. E & G)

Des bobines de fil de coupe de rechange sont disponibles chez votre revendeur Black & Decker (réf. A6495).

- ◆ Maintenez les languettes (17) enfoncées et retirez le couvercle de la bobine (18) du logement (10).
- ◆ Retirez la bobine vide (19) du logement de bobine.
- ◆ Enlevez toute trace de saleté ou d'herbe du couvercle de la bobine et du logement.
- ◆ Placez la nouvelle bobine sur le bossage de son logement avec les lignes dans les fentes (23) (fig. F).
- ◆ Insérez les extrémités de lignes dans les ceilllets appropriés (20) du logement (10). Tirez le mou de la ligne pour la faire sortir des fentes (23) (fig. G).
- ◆ Alignez les languettes (17) sur le couvercle de la bobine avec les échancrures (21) dans le logement.
- ◆ Poussez le couvercle (18) sur le logement (10) pour l'enclencher fermement.

**Remarque:** assurez-vous que le couvercle est en place. Écoutez deux clics audibles confirmant que les deux languettes (17) sont bien en place.

**Attention !** Si les fils de coupe dépassent de la lame de coupe (9), coupez-les afin qu'ils atteignent juste la lame.

### Enroulage d'un nouveau fil sur une bobine vide (fig. H - J)

Vous pouvez enrouler un nouveau fil de coupe sur une bobine vide. Des paquets de fil de coupe de rechange sont disponibles chez votre revendeur Black & Decker (réf. A6171).

- ◆ Retirez la bobine vide de l'appareil comme expliqué ci-dessus.
- ◆ Retirez tout fil de coupe restant de la bobine.
- ◆ Enroulez d'abord le nouveau fil sur la partie supérieure de la bobine:
  - insérez 2 cm de fil de coupe dans l'une des fentes de la section supérieure de la bobine, comme indiqué.
  - Enroulez le fil de coupe sur la bobine dans le sens de la flèche. Veillez à enrouler le fil proprement et en couches successives. Ne l'entrecroisez pas.
  - Lorsque le fil de coupe enroulé est encastré (22), coupez-le.
  - Laissez temporairement le fil dans les fentes (23) sur un côté de la bobine comme indiqué.
- ◆ Répétez l'opération précédente pour le second fil de coupe sur la partie inférieure de la bobine. Laissez le fil dans les fentes restées libres (23).
- ◆ Procédez comme expliqué ci-dessus pour installer la bobine dans l'appareil. N'oubliez pas de relâcher le fil de coupe des fentes où vous l'avez laissé (23).

**Attention !** Utilisez uniquement le type correct de fil de coupe de Black & Decker. Assurez-vous que le fil de coupe se trouve dans les deux sections de la bobine.

### Dépannage

Si votre outil ne semble pas fonctionner correctement, suivez les instructions ci-dessous. Si elles ne vous sont d'aucune aide pour résoudre le problème, contactez votre service de réparation local Black & Decker.

**Attention !** Avant de commencer, débranchez l'outil.

### Appareil fonctionnant lentement

- ◆ Assurez-vous que le logement de bobine tourne librement. Nettoyez soigneusement si cela est nécessaire.

- ◆ Vérifiez que le fil de coupe ne dépasse pas de plus de 11 cm du logement de bobine. Si c'est le cas, coupez-le pour qu'il atteigne juste la lame coupe-fil.

## L'alimentation automatique du fil ne fonctionne pas

- ◆ Maintenez les languettes enfoncées et retirez le couvercle de bobine hors du logement.
- ◆ Tirez le fil de coupe pour qu'il dépasse de 11 cm du logement. S'il reste peu de fil de coupe sur la bobine, installez une nouvelle bobine de fil de coupe comme expliqué ci-dessus.
- ◆ Alignez les languettes sur le couvercle de la bobine avec les échancrures dans le logement.
- ◆ Enfoncez le couvercle sur le logement jusqu'à l'enclencher.
- ◆ Si le fil de coupe dépasse la lame coupe fil, coupez-le afin qu'il atteigne juste la lame.

Si l'alimentation automatique de fil ne fonctionne toujours pas ou si la bobine est bloquée, essayez les suggestions suivantes:

- ◆ Nettoyez soigneusement le couvercle de la bobine et le logement.
- ◆ Retirez la bobine et vérifiez que la gâchette bouge librement.
- ◆ Retirez la bobine et déroulez le fil de coupe, puis enrroulez-le à nouveau proprement comme expliqué ci-dessus. Remplacez la bobine comme indiqué.

## Entretien

Votre appareil/outil Black & Decker avec/sans fil a été conçu pour fonctionner pendant longtemps avec un minimum d'entretien. Un fonctionnement continu satisfaisant dépend d'un nettoyage régulier et d'un entretien approprié de l'outil.

**Attention !** Avant toute activité d'entretien sur les outils électriques avec/sans fil:

- ◆ Eteignez et débranchez l'appareil/l'outil.
- ◆ Ou coupez et retirez la batterie de l'appareil/outil s'il comporte un pack-batterie séparé.
- ◆ Vore épuisez complètement la batterie si elle est intégrée puis mettez hors tension.
- ◆ Débranchez le chargeur avant de le nettoyer. Votre chargeur ne nécessite aucun autre entretien qu'un nettoyage régulier.
- ◆ Nettoyez régulièrement les fentes de ventilation de votre outil/appareil/chargeur à l'aide d'une brosse douce ou d'un chiffon sec.
- ◆ Nettoyez régulièrement le carter moteur à l'aide d'un chiffon humide. N'utilisez pas de produit abrasif ou à base de solvant.

- ◆ Ouvrez régulièrement le mandrin (le cas échéant) et tapotez dessus pour retirer toute poussière à l'intérieur.

## Protection de l'environnement



Collecte séparée. Ce produit ne doit pas être jeté avec les déchets domestiques normaux.

Si vous décidez de remplacer ce produit Black & Decker, ou si vous n'en avez plus l'utilité, ne le jetez pas avec vos déchets domestiques. Rendez-le disponible pour une collecte séparée.



La collecte séparée des produits et emballages usés permet le recyclage des articles afin de les utiliser à nouveau. Le fait d'utiliser à nouveau des produits recyclés permet d'éviter la pollution environnementale et de réduire la demande de matières premières.

Les réglementations locales peuvent permettre la collecte séparée des produits électriques du foyer, dans des déchetteries municipales ou auprès du revendeur vous ayant vendu votre nouveau produit.

Black & Decker fournit un dispositif permettant de collecter et de recycler les produits Black & Decker lorsqu'ils ont atteint la fin de leur cycle de vie. Pour pouvoir profiter de ce service, veuillez retourner votre produit à un réparateur agréé qui se chargera de le collecter pour nous.

Pour connaître l'adresse du réparateur agréé le plus proche de chez vous, contactez le bureau Black & Decker à l'adresse indiquée dans ce manuel. Vous pourrez aussi trouver une liste des réparateurs agréés de Black & Decker et de plus amples détails sur notre service après-vente sur le site Internet à l'adresse suivante:

[www.2helpU.com](http://www.2helpU.com)

## Caractéristiques techniques

|                    |                   | GL701    | GL710    | GL716    |
|--------------------|-------------------|----------|----------|----------|
|                    |                   | TYPE 3-5 | TYPE 3-5 | TYPE 3-5 |
| Tension            | V <sub>AC</sub>   | 230      | 230      | 230      |
| Puissance absorbée | W                 | 550      | 520      | 580      |
| Vitesse à vide     | min <sup>-1</sup> | 6 500    | 6 500    | 6 500    |
| Poids              | kg                | 3,2      | 3,2      | 3,2      |

|                    | GL720                   | GL741    |
|--------------------|-------------------------|----------|
|                    | TYPE 3-5                | TYPE 3-5 |
| Tension            | V <sub>AC</sub> 230     | 230      |
| Puissance absorbée | W 600                   | 700      |
| Vitesse à vide     | min <sup>-1</sup> 6 500 | 6 500    |
| Poids              | kg 3,2                  | 3,2      |

Niveau de vibration main/bras selon la norme EN 786: = 7,5 m/s<sup>2</sup>, incertitude (K) = 1,5 m/s<sup>2</sup>

## Déclaration de conformité CE

DIRECTIVE MACHINES  
DIRECTIVE BRUIT DANS L'ENVIRONNEMENT



### GL701/GL710/GL716/GL720/GL741

Black & Decker déclare que ces produits décrits sous les «caractéristiques techniques» sont conformes avec: 98/37/CE (jusqu'au 28 déc. 2009), 2006/42/CE (à compter du 29 déc. 2009), EN 60335-1, EN 60335-2-91

2000/14/CE, Coupe-bordures, L ≤ 50 cm, Annexe VIII

KEMA Quality B.V., Utrechtseweg 310, 6802 ED Arnhem, Pays-Bas Notified Body ID No.: 0344

Niveau de pression acoustique conforme à la norme 2000/14/CE (Article 12, Annexe III, L ≤ 50 cm):

L<sub>WA</sub> (pression sonore mesurée) 95 dB(A)  
incertitude (K) = 3 dB(A)

L<sub>WA</sub> (pression sonore garantie) 96 dB(A)  
incertitude (K) = 3 dB(A)

Ces produits sont également conformes à la directive 2004/108/CE. Pour en savoir plus, veuillez contacter Black & Decker à l'adresse suivante ou consultez le dos du manuel.

Le soussigné est responsable de la compilation du fichier technique et effectue cette déclaration au nom de Black & Decker.

Kevin Hewitt  
Vice-président  
Ingénierie globale  
Black & Decker Europe,  
210 Bath Road, Slough,  
Berkshire, SL1 3YD  
Royaume Uni  
1-10-2009

N° de demande de brevet UK: 059745.6

Dessin pour demande de brevet UE n°: 340385-0001 & 339544-0001

## Garantie

Black & Decker est confiant dans la qualité de ses produits et vous offre une garantie très étendue. Ce certificat de garantie est un document supplémentaire et ne peut en aucun cas se substituer à vos droits légaux. La garantie est valable sur tout le territoire des Etats Membres de l'Union Européenne et de la Zone de Libre Echange Européenne.

Si un produit Black & Decker s'avère défectueux en raison de matériaux en mauvaises conditions, d'une erreur humaine, ou d'un manque de conformité dans les 24 mois suivant la date d'achat, Black & Decker garantit le remplacement des pièces défectueuses, la réparation des produits usés ou cassés ou remplace ces produits à la convenance du client, sauf dans les circonstances suivantes:

- ◆ Le produit a été utilisé dans un but commercial, professionnel, ou a été loué.
- ◆ Le produit a été mal utilisé ou avec négligence.
- ◆ Le produit a subi des dommages à cause d'objets étrangers, de substances ou à cause d'accidents.
- ◆ Des réparations ont été tentées par des techniciens ne faisant pas partie du service technique de Black & Decker.

Pour avoir recours à la garantie, il est nécessaire de fournir une preuve d'achat au vendeur ou à un réparateur agréé. Pour connaître l'adresse du réparateur agréé le plus proche de chez vous, contactez le bureau Black & Decker à l'adresse indiquée dans ce manuel. Vous pourrez aussi trouver une liste des réparateurs agréés de Black & Decker et de plus amples détails sur notre service après-vente sur le site Internet à l'adresse suivante: [www.2helpU.com](http://www.2helpU.com)

Visitez notre site Web

[www.blackanddecker.fr](http://www.blackanddecker.fr) pour enregistrer votre nouveau produit Black & Decker et être informé des nouveaux produits et des offres spéciales. Pour plus d'informations concernant la marque Black & Decker et notre gamme de produits, consultez notre site [www.blackanddecker.fr](http://www.blackanddecker.fr)

## Použití výrobku

Vaše strunová sekačka Black & Decker je určena pro sekání okrajů trávníků a pro sekání trávy na špatně přístupných místech. Tento výrobek je určen pouze pro spotřebitelské použití.

## Bezpečnostní pokyny

**Varování!** Při použití elektrického nářadí napájeného kabelem by měly být vždy dodržovány základní bezpečnostní pokyny, včetně následujících, abyste snížili riziko vzniku požáru, riziko úrazu elektrickým proudem nebo jiného poranění a materiálních škod.

- ♦ Před použitím tohoto výrobku si řádně prostudujte celý návod.
- ♦ Použití tohoto výrobku je popsáno v tomto návodu. Použití jiného příslušenství nebo přídatného zařízení a provádění jiných pracovních operací než je doporučeno tímto návodem, může způsobit poranění obsluhy.
- ♦ Tento návod uschovejte pro případné další použití.

## Použití zařízení

Při práci s tímto zařízením buďte vždy opatrní.

- ♦ Vždy používejte ochranné brýle nebo jinou vhodnou ochranu zraku.
- ♦ Nikdy nedovolte, aby s tímto zařízením pracovaly děti nebo osoby, které nejsou seznámeny s těmito pokyny.
- ♦ Nedovolte dětem, ostatním osobám nebo zvířatům, aby se dostaly do blízkosti pracovního prostoru nebo se dotýkaly zařízení nebo napájecího kabelu.
- ♦ Nachází-li se při provozu tohoto zařízení v jeho blízkosti děti, musíte být velmi opatrní.
- ♦ Toto zařízení není určeno pro použití nezletilými nebo slabými osobami bez dozoru.
- ♦ Toto zařízení nesmí být použito jako hračka.
- ♦ Používejte toto zařízení pouze během dne nebo při dobrém umělém osvětlení.
- ♦ Používejte toto zařízení pouze v suchém prostředí. Zabraňte tomu, aby se zařízení dostalo do vlhkého prostředí.
- ♦ Neponořujte toto zařízení do vody.
- ♦ Nepokoušejte se toto zařízení demontovat. Uvnitř zařízení se nenachází žádné opravitelné části.
- ♦ Nepoužívejte toto zařízení ve výbušných prostorách, jako jsou například prostory s výskytem hořlavých kapalin, plynů nebo prašných látek.
- ♦ Chcete-li snížit riziko poškození zástrčky a napájecího kabelu, nikdy neuvolňujte zástrčku ze zásuvky tahem za kabel.

## Bezpečnost ostatních osob

- ♦ Toto zařízení není určeno k použití osobami (včetně dětí) se sníženými fyzickými, smyslovými nebo duševními schopnostmi, nebo nedostatkem zkušeností a znalostí, pokud těmto osobám nebyl stanoven dohled, nebo pokud jim nebyly poskytnuty instrukce týkající se použití zařízení osobou zodpovědnou za jejich bezpečnost.
- ♦ Děti musí být pod dozorem, aby si s nářadím nehrály.

## Po použití

- ♦ Není-li zařízení používáno, mělo by být uloženo na suchém a dobře odvětrávaném místě, mimo dosah dětí.
- ♦ K uloženému zařízení nesmí mít přístup děti.
- ♦ Je-li zařízení uloženo nebo přepravováno ve vozidle, mělo by být umístěno v zavazadlovém prostoru a mělo by být zajištěno tak, aby při náhlých změnách rychlosti nebo směru jízdy nedocházelo k jeho pohybu.

## Prohlídky a opravy

- ♦ Vždy před použitím zkontrolujte, zda zařízení není poškozeno nebo zda nemá vadné části. Zkontrolujte, zda nejsou jeho části rozbity a zda nejsou poškozeny spínače nebo jiné díly, které by mohly ovlivnit jeho provoz.
- ♦ Je-li jakákoliv část zařízení poškozena, nepoužívejte jej.
- ♦ Opravu nebo výměnu všech poškozených nebo nefunkčních částí zařízení svěřte autorizovanému servisu.
- ♦ Nikdy se nepokoušejte demontovat nebo vyměnit jiné díly než ty, které jsou uvedeny v tomto návodu.

## Použití prodlužovacího kabelu

Vždy používejte schválený typ prodlužovacího kabelu, který je vhodný pro příkon tohoto nářadí (viz technické údaje). Prodlužovací kabel musí být vhodný pro venkovní použití a musí být také tak označen. Může být použit prodlužovací kabel HO5VV-F s délkou až 30 m a s průřezem vodiče 1,5 mm<sup>2</sup>, aniž by docházelo k výkonovým ztrátám při provozu zařízení. Před použitím prodlužovací kabel řádně prohleďte, zda není poškozen nebo opotřebován. Je-li tento kabel poškozen, vyměňte jej. V případě použití navinovacího kabelu vždy odviňte celou délku kabelu.

## Doplňující bezpečnostní pokyny pro strunové sekačky

**Varování!** Po vypnutí motoru se bude struna sekačky ještě chvíli otáčet.



- ◆ Seznamte se řádně s ovládáním a správným použitím nářadí.
- ◆ Před použitím napájecí kabel řádně prohlédněte, zda není poškozen nebo opotřebován. Pokud dojde během práce k poškození napájecího kabelu, okamžitě nářadí vypněte a odpojte od elektrické zásuvky. **NEDOTÝKEJTE SE NAPÁJECÍHO KABELU DŘÍVE, NEŽ BUDE ODPOJEN.**
- ◆ Pokud je napájecí kabel poškozen nebo opotřebován, nářadí nepoužívejte.
- ◆ Obujte si pevnou obuv nebo holínky, aby byla chráněna vaše chodidla.
- ◆ Oblékněte si dlouhé kalhoty, aby byly chráněny vaše nohy.
- ◆ Před použitím nářadí zkontrolujte, zda je prostor, ve kterém budete sekat, zbaven větviček, kamenů, drátů a jiných překážek.
- ◆ Používejte nářadí pouze ve svislé poloze se sekací strunou těsně nad zemí. Nikdy nespouštějte nářadí v jiné poloze.
- ◆ Při práci s tímto nářadím krácejte pomalu. Uvědomte si, že čerstvě nasekaná tráva je kluzká a vlhká.
- ◆ Nepracujte na příkrých svazích. Na svazích pracujte po vrstevnicích, nikdy ne směrem nahoru a dolů.
- ◆ Je-li nářadí v chodu, nikdy nepřecházejte přes šterkové chodníky nebo cesty.
- ◆ Nikdy se nedotýkejte struny, pokud je nářadí v chodu.
- ◆ Nepokládejte nářadí na zem, dokud se struna zcela nezastaví.
- ◆ Používejte pouze odpovídající typ struny. Nikdy nepoužívejte kovovou strunu nebo rybářský vlasec.
- ◆ Dejte pozor, abyste se nedotkli odřezávacího nože struny.
- ◆ Dávejte pozor, aby se napájecí kabel nedostal do blízkosti struny. Stále sledujte polohu napájecího kabelu.
- ◆ Ruce a nohy držte trvale mimo dosah struny, a to zejména při zapínání motoru.
- ◆ Před použitím nářadí a po každém nárazu nářadí zkontrolujte, zda nedošlo k jeho poškození a zda není nutné provedení opravy.
- ◆ Nikdy nepoužívejte nářadí s poškozenými ochrannými kryty nebo bez řádně nasazených ochranných krytů.
- ◆ Dávejte pozor, abyste se nezranili o zařízení, které upravuje délku struny. Po vysunutí nové struny nastavte nářadí před spuštěním vždy do jeho obvyklé pracovní polohy.
- ◆ Zajistěte, aby byly větrací drážky na nářadí stále čisté a průchozí.

- ◆ Pokud je přívodní napájecí kabel poškozen nebo opotřebován, strunovou sekačku (vyžinač trávy) nepoužívejte.
- ◆ Dbejte na to, aby se prodlužovací napájecí kabely nedostaly do blízkosti struny.

### Štítky na nářadí

Na nářadí naleznete následující varovné symboly:



Před zahájením obsluhy si řádně prostudujte tento návod.



Při práci s tímto nářadím používejte ochranné brýle.



Osoby a domácí zvířata udržujte ve vzdálenosti alespoň 6 m od pracovní plochy.



Zařízení nevystavujte dešti nebo prostředí s vysokou vlhkostí.

### Elektrická bezpečnost



Toto nářadí je opatřeno dvojitou izolací. Proto není nutné použití uzemňovacího vodiče. Vždy zkontrolujte, zda napájecí napětí odpovídá napětí na výkonovém štítku.

- ◆ Dojde-li k poškození napájecího kabelu, musí být vyměněn výrobcem nebo v autorizovaném servisu Black & Decker, aby bylo zabráněno úrazu elektrickým proudem.

### Popis

Toto nářadí se skládá z několika nebo všech následujících částí.

1. Hlavní spínač
2. Rukojeť
3. Držák kabelu
4. Napájecí přívod
5. Přídavná rukojeť
6. Seřizovací tlačítko
7. Trubice
8. Kryt
9. Odřezávací nůž struny
10. Pouzdro cívký
11. Struna
12. Vodítko

### Sestavení

**Varování!** Před montáží se ujistěte, zda je nářadí vypnuto a zda je napájecí kabel odpojen od zásuvky.

### Nasazení ochranného krytu (obr. A)

- ◆ Odstraňte šrouby s hlavou s vnitřním šestihranem (13) z hlavy (14).

- ◆ Umístěte na sekačku kryt (8), jako na uvedeném obrázku.
- ◆ Kryt lehce přitlačte, aby došlo k jeho zacvaknutí.
- ◆ Připevňte kryt pomocí šroubů s hlavou s vnitřním šestihranem.
- ◆ Utáhněte šrouby pomocí klíče (15) na šrouby s hlavou s vnitřním šestihranem.

**Varování!** Nikdy nepoužívejte nářadí bez řádně upevněného krytu.

## Uvolnění struny

Během přepravy je struna k cívce přichycena páskou.

- ◆ Odstraňte pásek, který připevňuje strunu (11) k pouzdru cívky (10).

## Připojení sekačky k síti

- ◆ Připojte koncovku vhodného napájecího kabelu k napájecímu přívodu (4).
- ◆ Zaveďte napájecí kabel na držák kabelu (3).
- ◆ Zasuňte zástrčku napájecího kabelu do síťové zásuvky.

**Varování!** Prodlužovací kabel musí být vhodný pro venkovní použití.

## Zbytková rizika

Je-li používáno nářadí, které není popisováno v příložených bezpečnostních varováních, mohou se objevit dodatečná zbytková rizika. Tato rizika mohou vzniknout v důsledku nesprávného použití, dlouhodobého použití atd. Přestože jsou dodržovány příslušné bezpečnostní předpisy a jsou používána bezpečnostní zařízení, nemohou být vyloučena jistá zbytková rizika. Tato rizika jsou následující:

- ◆ **Zranění způsobená kontaktem s jakoukoli rotující nebo pohybující se částí.**
- ◆ **Zranění způsobená při výměně dílů, pracovního nástroje nebo příslušenství.**
- ◆ **Zranění způsobené dlouhodobým použitím nářadí. Používáte-li jakékoli nářadí delší dobu, zajistěte, aby byly prováděny pravidelné přestávky.**
- ◆ **Poškození sluchu.**
- ◆ **Zdravotní rizika způsobená vdechováním prachu vytvářeného při použití nářadí (příklad: - práce se dřevem, zejména s dubovým, bukovým a MDF.)**

## Použití

**Varování!** Nechejte nářadí pracovat vlastním tempem. Zamezte přetěžování nářadí.

## Nastavení režimu seřezávání nebo zařezávání krajů (obr. B - D)

Nářadí může pracovat v režimu sekání, jak je znázorněno na obr. B nebo v režimu sekání okrajů trávníku při odstraňování převisů trávy u okrajů trávníků a u květinových záhonů, jak je znázorněno na obr. C.

### Režim sekání (obr. B a D)

Při sekání by měla být hlava sekačky v poloze, která je uvedena na obr. B. Není-li tomu tak:

- ◆ Stiskněte seřizovací tlačítko (6).
- ◆ Otáčejte trubicí (7), zatímco uvolníte tlačítko.
- ◆ Jakmile se hlava dostane do požadované polohy, tlačítko zaskočí.

Poznámka: Trubicí můžete otáčet pouze jedním směrem.

### Režim sekání okrajů (obr. C a D)

Při sekání okrajů trávníků by měla být hlava sekačky v poloze, která je uvedena na obr. C. Není-li tomu tak:

- ◆ Stiskněte seřizovací tlačítko (6).
- ◆ Otáčejte trubicí (7), zatímco uvolníte tlačítko.
- ◆ Jakmile se hlava dostane do požadované polohy, tlačítko zaskočí.

**Poznámka:** Trubicí můžete otáčet pouze jedním směrem.

## Nastavení délky sekačky (obr. D)

Tato sekačka je vybavena teleskopickým mechanismem, který umožňuje nastavení pohodlné délky nářadí. K dispozici jsou tři možnosti nastavení délky.

Délku nářadí upravíte následovně:

- ◆ Stiskněte seřizovací tlačítko (6).
- ◆ Pomalu vytahujte trubicí (7) ze skříně motoru (16) na požadovanou délku, zatímco uvolníte tlačítko.
- ◆ Jakmile se trubice vysune na požadovanou délku, tlačítko zaskočí.

## Zapnutí a vypnutí

- ◆ Chcete-li nářadí spustit, stiskněte spouštěcí páčku (1).
- ◆ Chcete-li nářadí vypnout, uvolněte spouštěcí páčku.

**Varování!** Nikdy se nepokoušejte zajistit spouštěcí páčku v poloze zapnuto.

## Užitečné rady pro práci s nářadím

### Všeobecně

- ◆ Chcete-li dosáhnout optimálních výsledků, sekejte pouze suchou travu.

### Sekání travnatých ploch

- ◆ Držte nářadí jako na uvedeném obr. B.
- ◆ Lehce přesunujte sekačku ze strany na stranu.
- ◆ Pokud sečete vysokou trávu, pracujte po částech od shora dolů. Trávu sekejte po krátkých kouscích.
- ◆ Udržujte nářadí mimo dosah tvrdých předmětů a jiných porostů.
- ◆ Pokud nářadí začne zpomalovat, snižte jeho zatížení.

### Sekání okrajů trávníků

Optimálních výsledků při sekání okrajů trávníků bude dosaženo na okrajích, které jsou hlubší než 50 mm.

- ◆ Nepoužívejte nářadí k vytváření hran. K vytváření hran používejte rycí nářadí.
- ◆ Veďte nářadí jako na uvedeném obr. C.
- ◆ Při sekání těsně nad zemí nářadí lehce nakloňte.

### Montáž nové cívky se strunou (obr. E a G)

Náhradní cívku se strunou získáte u autorizovaného prodejce Black & Decker (kat. č. A6495).

- ◆ Držte stisknuté výstupky (17) a sejměte z pouzdra (10) kryt cívky (18).
- ◆ Vyjměte z pouzdra prázdnou cívku (19).
- ◆ Odstraňte z pouzdra a krytu cívky všechny nečistoty a zbytky trávy.
- ◆ Na výstupek v pouzdru cívky umístěte novou cívku tak, aby byly výstupky v drážkách (23) (obr. F).
- ◆ Protáhněte konce struny příslušnými otvory (20) v pouzdru (10). Tahejte za volnou strunu, dokud nebude vytažena z drážek (23) (obr. G).
- ◆ Srovnejte výstupky (17) na krytu cívky s výřezy (21) v pouzdru.
- ◆ Zatlačte kryt (18) na pouzdro cívky (10) tak, aby došlo k jeho řádnému usazení.

**Poznámka:** Ujistěte se, zda je kryt řádně usazen. Musíte slyšet dvě kliknutí, která budou znamenat, že došlo k správnému usazení obou výstupků (17).

**Varování!** Pokud bude struna vyčnívat přes odřezávací nůž (9), uřízněte ji tak, aby dosahovala pouze k ostří odřezávacího nože struny.

### Navinutí nové struny na prázdnou cívku (obr. H - J)

Na prázdnou cívku můžete navinout novou strunu. Náhradní balíčky se strunou získáte u autorizovaného prodejce Black & Decker (kat. č. A6171).

- ◆ Výše popsaným způsobem vyjměte prázdnou cívku z nářadí.
- ◆ Odmotejte z cívky zbytek struny.
- ◆ Nejdříve navíňte novou strunu na horní část cívky:
  - Zasuňte 2 cm struny do jedné ze šterbin v horní části cívky, jako na uvedeném obrázku.
  - Navíňte strunu na cívku ve směru vyznačeném šipkou. Dejte pozor, aby byla struna navinuta na cívku úhledně a ve vrstvách. Nepřekřičujte ji.
  - Pokud navíjená struna dosáhne výkroju (22), odstříhněte ji.
  - Dočasně zajistěte strunu v zářezech (23) na jedné straně cívky tak, jako na uvedeném obrázku.
- ◆ Opakujte výše popsaný postup pro druhou strunu ve spodní části cívky. Strunu zajistěte ve volných zářezech (23).
- ◆ Při montáži cívky do nářadí postupujte podle výše uvedených kroků. Nezapomeňte uvolnit strunu ze zajišťovacích zářezů (23).

**Varování!** Používejte pouze vhodnou strunu Black & Decker. Zajistěte, aby byla struna v obou částech cívky.

### Řešení problémů

Pokud vaše nářadí nepracuje správně, postupujte podle dále uvedených kroků. Pokud nebude závada odstraněna, spojte se s autorizovaným servisem Black & Decker.

**Varování!** Před pokračováním odpojte nářadí od elektrické sítě.

### Nářadí pracuje v nízkých otáčkách

- ◆ Zkontrolujte, zda se může volně otáčet pouzdro cívky. Je-li to nutné, opatrně jej očistěte.
- ◆ Zkontrolujte, zda struna nevyčnívá z pouzdra cívky více než 11 cm. Pokud ano, uřízněte ji tak, aby dosahovala jen k ostří odřezávacího nože struny.

### Automatický posuv struny nepracuje

- ◆ Držte stisknuté výstupky na krytu cívky a sejměte z pouzdra kryt cívky.
- ◆ Povytáhněte strunu tak, aby vyčnívala z pouzdra cívky zhruba 11 cm. Pokud již není dostatečující délka struny k dispozici, vložte podle výše uvedených pokynů do nářadí novou cívku se strunou.
- ◆ Vyrovnějte výstupky na krytu cívky s výřezy v pouzdru.

- ♦ Zatláchte kryt na pouzdro cívký tak, aby došlo k jeho řádnému usazení.
- ♦ Přečnává-li struna přes odřezávací nůž, zkratíte ji tak, aby se tohoto nože pouze dotýkala.

Pokud automatický posuv struny stále nepracuje nebo pokud je cívka zablokovaná, proveďte následující:

- ♦ Pečlivě očistěte pouzdro a kryt cívký.
- ♦ Vyměňte cívku a zkontrolujte, zda se může páčka volně pohybovat.
- ♦ Vyměňte cívku a odviňte celou délku struny. Potom proveďte podle výše uvedeného postupu její správné navinutí na cívku. Vložte cívku zpět podle výše uvedeného postupu.

## Údržba

Váš výrobek/nářadí Black & Decker napájené baterií/napájecím kabelem bylo navrženo tak, aby mělo dlouhou životnost společně s minimálními nároky na údržbu. Řádná péče o nářadí a jeho pravidelné čištění vám zajistí jeho bezproblémový chod.

**Varování!** Před zahájením jakékoli údržby výrobku/nářadí napájené baterií/napájecím kabelem:

- ♦ Vypněte výrobek/nářadí a odpojte napájecí kabel od sítě.
- ♦ Nebo v případě, kdy je výrobek/nářadí vybaveno snímatelnou baterií, proveďte vypnutí výrobku/nářadí a vyjmoutí baterie.
- ♦ Nebo nelze-li baterii z nářadí vyjmout, nechejte nářadí v chodu, dokud nedojde k úplnému vybití baterie a potom nářadí vypněte.
- ♦ Před čištěním odpojte nabíječku vždy od sítě. Vaše nabíječka nevyžaduje žádnou údržbu mimo pravidelné čištění.
- ♦ Větrací otvory výrobku/nářadí/nabíječky pravidelně čistěte měkkým kartáčem nebo suchým hadříkem.
- ♦ Pomocí vlhkého hadříku pravidelně čistěte kryt motoru. Nepoužívejte žádné brusné čisticí prostředky nebo rozpouštědla.
- ♦ Pravidelně otevřete sklíčko a poklepem z něj odstraňte všechny nečistoty (je-li součástí výbavy).

## Ochrana životního prostředí



Třídte odpad. Tento výrobek nesmí být vyhozen do běžného domácího odpadu.

Pokud nebudete výrobek Black & Decker dále používat nebo přejete-li si jej nahradit novým, nelikvidujte jej spolu s běžným komunálním odpadem. Zlikvidujte tento výrobek v tříděném odpadu.



Tříděný odpad umožňuje recyklaci a opětovné využití použitých výrobků a obalových materiálů. Opětovné použití recyklovaných materiálů pomáhá chránit životní prostředí před znečištěním a snižuje spotřebu surovin.

Po zakoupení nového výrobku vám prodejny, místní sběrný odpadů nebo recyklační stanice poskytnou informace o správné likvidaci elektroodpadů z domácnosti.

Společnost Black & Decker poskytuje službu sběru a recyklace výrobků Black & Decker po skončení jejich provozní životnosti. Chcete-li získat výhody této služby, odevzdejte prosím váš výrobek kterémukoli autorizovanému zástupci servisu, který nářadí odebere a zajistí jeho recyklaci.

Místo nejbližšího autorizovaného servisu Black & Decker naleznete na příslušné adrese uvedené v tomto návodu. Seznam autorizovaných servisů Black & Decker a podrobnosti o poprodejním servisu naleznete také na internetové adrese: [www.2helpU.com](http://www.2helpU.com)

## Technické údaje

|                  | GL701<br>TYP 3-5        | GL710<br>TYP 3-5 | GL716<br>TYP 3-5 |
|------------------|-------------------------|------------------|------------------|
| Vstupní napětí   | V 230                   | 230              | 230              |
| Příkon           | W 550                   | 520              | 580              |
| Otáčky naprázdno | min <sup>-1</sup> 6 500 | 6 500            | 6 500            |
| Hmotnost         | kg 3,2                  | 3,2              | 3,2              |

|                  | GL720<br>TYP 3-5        | GL741<br>TYP 3-5 |
|------------------|-------------------------|------------------|
| Vstupní napětí   | V 230                   | 230              |
| Příkon           | W 600                   | 700              |
| Otáčky naprázdno | min <sup>-1</sup> 6 500 | 6 500            |
| Hmotnost         | kg 3,2                  | 3,2              |

Vibrace přenášené na obsluhu měřené dle normy EN 786: = 7,5 m/s<sup>2</sup>, odchylka (K) = 1,5 m/s<sup>2</sup>

**ES Prohlášení o shodě**  
SMĚRNICE PRO STROJNÍ ZAŘÍZENÍ  
NAŘÍZENÍ TÝKAJÍCÍ SE VNĚJŠÍHO HLUKU



**GL701/GL710/GL716/GL720/GL741**

Společnost Black & Decker prohlašuje, že tyto produkty popisované v technických údajích splňují požadavky následujících norem: 98/37/EC (do 28. prosince 2009), 2006/42/EC (od 29. prosince 2009), EN 60335-1, EN 60335-2-91

2000/14/EC, sekačka trávy L ≤ 50 cm, příloha VIII  
KEMA Quality B.V., Utrechtseweg 310, 6802 ED  
Arnhem, The Netherlands

Úředně stanovený orgán ID č.: 0344

Hladina akustického tlaku podle normy 2000/14/  
EC

(Článek 12, příloha III, L ≤ 50 cm):

$L_{WA}$  (měřená hodnota akustického výkonu)  
95 dB(A), Odchylka (K) = 3 dB(A)

$L_{WA}$  (zaručená hodnota akustického výkonu)  
96 dB(A), Odchylka (K) = 3 dB(A)

Tyto výrobky splňují také požadavky směrnice 2004/108/EC. Chcete-li získat další informace, kontaktujte prosím společnost Black & Decker na následující adrese nebo na adresách, které jsou uvedeny na konci tohoto návodu.

Níže podepsaná osoba je odpovědná za sestavení technických údajů a provádí toto prohlášení v zastoupení společnosti Black & Decker.

Kevin Hewitt  
Viceprezident  
pro spotřebitelskou techniku  
Black & Decker Europe,  
210 Bath Road, Slough,  
Berkshire, SL1 3YD  
United Kingdom  
1. 10. 2009

Aplikační číslo patentu pro UK: 059745.6

Aplikační čísla konstrukce pro EU: 340385-0001  
a 339544-0001

**Záruka**

Společnost Black & Decker je přesvědčena o kvalitě svých výrobků a nabízí mimořádnou záruku. Tato záruka je nabízena ve prospěch zákazníka a nijak neovlivní jeho zákonná záruční práva. Tato záruka platí ve všech členských státech EU a v evropské zóně volného obchodu EFTA.

Objeví-li se na výrobku Black & Decker, v průběhu 24 měsíců od zakoupení, jakékoli materiálové či výrobní vady, garantujeme ve snaze o minimalizování vašich starostí bezplatnou výměnu vadných dílů, opravu nebo výměnu celého výrobku za níže uvedených podmínek:

- ◆ Výrobek nebyl používán pro obchodní nebo profesionální účely a nedocházelo k jeho pronájmu.
- ◆ Výrobek nebyl vystaven nesprávnému použití a nebyla zanedbána jeho předepsaná údržba.
- ◆ Výrobek nebyl poškozen cizím zaviněním.
- ◆ Opravy nebyly prováděny jinými osobami, než autorizovanými opraváři nebo mechaniky autorizovaného servisu Black & Decker.

Požadujete-li reklamaci, budete muset prodejci nebo autorizovanému servisu předložit doklad o zakoupení výrobku. Místo nejbližšího autorizovaného servisu Black & Decker naleznete na příslušné adrese uvedené v tomto návodu. Seznam autorizovaných servisů Black & Decker a podrobnosti o poprodejním servisu naleznete také na internetové adrese: **www.2helpU.com**

Navštivte prosím naši webovou stránku **www.blackanddecker.co.uk**, kde můžete zaregistrovat váš nový výrobek Black & Decker a kde naleznete všechny informace o nových výrobcích a speciální nabídky. Další informace o značce Black & Decker a o celé řadě našich dalších výrobků naleznete na adrese **www.blackanddecker.co.uk**

## Rendeltetészerű használat

Az Ön Black & Decker márkájú fűszegélyvágóját gypepszélek vágására és igazítására, illetve kis területen való kaszálásra terveztük.

A fűszegélyvágó iparszerű felhasználásra nem alkalmas.

## Biztonsági előírások

**Figyelmeztetés!** Hálózati áramforrásról működtetett szerszámok használatakor be kell tartani az alapvető biztonsági előírásokat, többek között a következőket a tűz, az áramütés, a személyes sérülés és a dologi károk kockázatának csökkentése érdekében.

- ◆ A szerszám használata előtt figyelmesen olvassa végig ezt a kézikönyvet.
- ◆ Az útmutató ismerteti a szerszám rendeltetését. A kézikönyvben nem ajánlott tartozék vagy felszerelés használata, illetve itt fel nem sorolt műveletek végzése, személyes sérülés és/vagy dologi kár kockázatával jár.
- ◆ Őrizze meg a kézikönyvet, hogy azt később is használhassa referenciaként.

## A szerszám használata

Mindig körültekintően használja a szerszámot.

- ◆ Mindig viseljen védőszemüveget.
- ◆ Ne engedje, hogy gyerekek vagy a használati utasítást nem ismerő személyek használják a szerszámot.
- ◆ Ne engedje, hogy gyerekek vagy állatok a munkaterület közelébe menjenek, illetve hozzáférjenek a szerszámhoz és a tápkábelhez.
- ◆ Gondos felügyelet szükséges, ha a szerszámot olyan helyen használják, ahol gyerekek is vannak a közelben.
- ◆ A szerszámot fiatalok vagy fogyatékkal élők csak felügyelettel használhatják.
- ◆ A szerszám nem játékszer.
- ◆ A szerszám csak nappali fénynél vagy jó mesterséges világítás mellett használható.
- ◆ Csak száraz helyen használja. Védje a szerszámot a nedvességtől.
- ◆ Ne merítse vízbe a szerszámot.
- ◆ Ne nyissa föl a szerszám burkolatát.
- ◆ A szerszám belsejében nincsenek a felhasználó által szervizelhető alkatrészek.
- ◆ Soha ne használja robbanásveszélyes környezetben, például gyúlékony folyadékok, gázok vagy porok jelenlétében.
- ◆ A csatlakozódugó és a kábel sérülésének elkerülése érdekében soha ne a kábelt húzza, amikor a szerszámot leválasztja a hálózati csatlakozó aljzatról.

## Mások biztonsága

- ◆ A szerszámot nem használhatják korlátozott fizikai, érzékszervi és mentális képességekkel rendelkező, vagy gyakorlattal és ismeretekkel nem rendelkező személyek (beleértve a gyermekeket is); kivétel a biztonságukért felelős személy felügyelete és utasításai mellett.
- ◆ A gyerekeket felügyelni kell, nehogy játszanak a szerszámmal.

## Használat után

- ◆ A nem használt szerszámot száraz, jól szellőző helyen, gyerekektől elzárva tartsa.
- ◆ Ügyeljen, gyerekek ne érhessenek az eltárolt szerszámhoz.
- ◆ Ha a szerszámot járműben tárolja, illetve szállítja, vagy a csomagtartóban tartja, akkor kösse le, hogy az ne mozdulhasson el a hirtelen sebesség- vagy irányváltáskor.

## Ellenőrzés és javítás

- ◆ Használat előtt ellenőrizze, hogy nem sérült vagy hibás-e a szerszám valamely alkatrésze. Ellenőrizze, nem törtek-e alkatrészei, vagy más körülmény nem akadályozza-e a szerszám működését.
- ◆ Ne használja a szerszámot, ha valamely alkatrésze sérült vagy hibás.
- ◆ A sérült vagy hibás alkatrészt márkaszervizben cseréltesse ki, illetve javíttassa meg.
- ◆ Soha ne próbáljon olyan alkatrészt eltávolítani vagy kicserélni, amelyet a kézikönyv nem említ.

## Hosszabbító kábel használata

Mindig jóváhagyott, a készülék felvett teljesítményének megfelelő hosszabbító kábelt használjon (lásd a műszaki adatokat). A hosszabbító kábel kültéri alkalmazásra megfelelő, vagyis ilyen értelmű jelöléssel legyen ellátva. Legfeljebb 30m hosszú és 1,5 mm<sup>2</sup> keresztmetszetű HO5VV-F hosszabbító kábelt használhat a termék teljesítményének csökkenése nélkül. Használat előtt ellenőrizze a hosszabbító kábelt, nem találhatók-e rajta sérülések, kopás vagy öregedés jelei. Cserélje ki a hosszabbító kábelt, ha az sérült vagy hibás. Ha kábeldobot használ, akkor mindig teljesen tekerje le a kábelt.

## Kiegészítő biztonsági utasítások fűszegélyvágóhoz

**Figyelmeztetés!** A vágó alkatrészek a motor kikapcsolása után is forognak.

- ◆ Ismerkedjen meg a készülék vezérlőivel és megfelelő használatával.

- ◆ Használat előtt ellenőrizze a tápkábel és a hosszabbító kábelt, nem láthatók-e rajtuk sérülés, kopás vagy elöregedés jelei. Ha valamelyik kábel használat közben megsérül, azonnal válassa le a hálózati áramforrásról. **NE ÉRJEN A KÁBELHEZ MIELŐTT ÁRAMTALANÍTANÁ.**
- ◆ Ne használja a szerszámot, ha kábelei sérültek vagy elhasználódtak.
- ◆ Védje lábát magaszárú cipővel vagy csizmával.
- ◆ Viseljen hosszúszerű nadrágot.
- ◆ A szerszám használata előtt ellenőrizze, nincsenek-e a vágás útjában botok, kövek, drótok vagy más akadályok.
- ◆ Csak függőleges helyzetben használja a szerszámot, a vágószál pedig a talaj közelében legyen. Soha ne kapcsolja be a szerszámot más helyzetben.
- ◆ A szerszám használatakor lassan mozogjon. Ne feledje, a frissen vágott fű nedves és csúszós.
- ◆ Ne dolgozzon meredek lejtőn. Lejtőn keresztbe haladva dolgozzon, ne föl-le irányba.
- ◆ Ne keresztezzen kavicsos ösvényt, utat működő szerszámmal.
- ◆ Ne nyúljon a vágószálhoz, ha a szerszám be van kapcsolva.
- ◆ Ne tegye le a szerszámot, amíg a vágószál forgása le nem áll.
- ◆ Csak a megfelelő típusú vágószálat használja. Soha ne használjon fém vágószálat vagy horgász zsinórt.
- ◆ Legyen óvatos, ne érjen a zsinórvágó pengéhez.
- ◆ Ügyeljen, hogy a vágószál ne érintkezessen a tápkábellel. Mindig tudja, hol fut a tápkábel.
- ◆ Kezét, lábát folyamatosan óvja a vágószáltól, különösen a motor bekapcsolásakor.
- ◆ A szerszám használata előtt és esetleges ütődése után ellenőrizze, nem sérült vagy kopott-e; ha szükséges, javítsa ki.
- ◆ Soha ne dolgozzon védőburkolat nélküli szerszámmal, illetve ha a burkolat sérült.
- ◆ Ügyeljen, nehogy megsértse magát a vágószál-levágó alkatrészrel. Új vágószál kihúzása után mindig állítsa szokásos működési helyzetbe a gépet még a motor bekapcsolása előtt.
- ◆ Mindig győződjön meg róla, hogy a szellőzőnyílásokat nem tömíti-e el törmelék.
- ◆ Ne használja a pázsit-, illetve szegélyvágót, ha kábelei sérültek vagy elhasználódtak.
- ◆ Óvja a hosszabbító kábelt a vágó alkatrésztől.

### Címkék a készüléken

A szerszámon a következő figyelmeztető jelzések találhatóak:



A szerszám használata előtt olvassa el a használati utasítást.



Viseljen védőszemüveget a készülék használatakor.



Ne engedjen embereket és állatokat a vágási terület 6 m-es körzetébe.



Ne tegye ki a készüléket esőnek, nedvességnek.

### Elektromos biztonság



A készülék kettős szigetelésű; ezért nincs szükség földelő vezetékre. Mindig ellenőrizze, hogy az adattáblán megadott feszültség egyezik-e a hálózati feszültséggel.

- ◆ Ha a tápkábel sérült, azt a gyártónak vagy Black & Decker márkaszerviznek kell kicserélnie a veszélyek/kockázatok megelőzése érdekében.

### Részegységek

A szerszám az alábbi részegységeket tartalmazhatja:

1. Főkapcsoló
2. Fogantyú
3. Kábelrögzítő
4. Bemeneti elektromos csatlakozó
5. Pótfogantyú
6. Vágófej állító gomb
7. Nyél
8. Védőburkolat
9. Szálvágó él
10. Orsóház
11. Vágószál
12. Szélvezető

### Összeszerelés

**Figyelmeztetés!** Az összeszerelés előtt győződjön meg arról, hogy a szerszám ki van kapcsolva, és a konnektorból is ki van húzva.

#### A védőburkolat felszerelése (A ábra)

- ◆ Távolítsa el a hatszögletű csavarokat (13) a fejből (14).
- ◆ Tegye a védőburkolatot (8) a berendezésre az ábra szerint
- ◆ Határozottan nyomja a védőburkolatot, amíg az a helyére nem kattant.
- ◆ Rögzítse a burkolatot hatszögletű csavarokkal.

- ◆ Húzza meg a hatszögletű csavarokat a mellékelt hatszögletű kulccsal (15).

**Figyelmeztetés!** Soha ne használja a szerszámot, ha nincs megfelelően felszerelve rá a védőburkolat.

## A vágószál kihúzása

A szállításhoz a vágószálat ragasztószalaggal az orsóházhoz rögzítjük.

- ◆ Távolítsa el a vágószálat (11) az orsóházhoz (10) rögzítő ragasztócsíkot.

## A szerszám csatlakoztatása az elektromos hálózathoz

- ◆ Csatlakoztassa megfelelő hosszabbító kábel aljzatát a fűszegélyvágó dugaszához (4).
- ◆ Bűjtassa át a kábelt a kábelrögzítőn (3).
- ◆ Csatlakoztassa a hosszabbító dugaszát a hálózati csatlakozóaljzatba.

**Figyelmeztetés!** A hosszabbító kábel legyen alkalmas a kültéri használatra.

## Maradék kockázatok

Az ismertetett fennmaradó veszélyek/ kockázatok mellett más veszélyek és kockázatok is jelentkezhetnek, amelyekre a biztonsági figyelmeztetések nem biztos, hogy felhívják a figyelmet. Ezek a kockázatok a rendeltetésellenes, a túl hosszú használattal stb. kapcsolatosak. Az alkalmazásra vonatkozó biztonsági szabályok betartása és a megfelelő védőfelszerelések használat esetén is egyes kockázatokat nem lehet kizárni. Ezek a következők:

- ◆ **A forgó/mozgó alkatrészek megérintése által okozott sérülés.**
- ◆ **Az alkatrészek vágólapok, tartozékok cseréje által okozott sérülés.**
- ◆ **A szerszám huzamos használata által okozott egészségkárosodás. Ha bármely szerszámot huzamosabb ideig használ, tartson rendszeres munkaszüneteket.**
- ◆ **Halláskárosodás**
- ◆ **A szerszámhasználat közben keletkező por belégzése által okozott egészségkockázat (például:- famunkák, különösen tölgy, bükk és rétegelt lemez esetén.)**

## Használat

**Figyelmeztetés!** Hagyja a szerszámot saját tempójában működni. Ne terhelje túl.

## A szerszám fűkasza vagy szélező üzemmódjának beállítása (B - D ábra)

A szerszám használható fűszegélyvágó üzemmódban a B ábrán bemutatott módon,

vagy szélező üzemmódban a pázsítszéleken és virágágyak körül a belógó fű vágására a C ábra szerint.

## Fűszegélyvágó üzemmód (B és D ábra)

Fűszegélyvágáshoz a vágófejet a B ábrán látható helyzetbe kell helyezni. Ha ez nem ebben az állásban lenne:

- ◆ Nyomja le a beállító gombot (6).
- ◆ Forgassa a nyelet (7), és közben engedje föl a gombot.
- ◆ Amikor a fej a megfelelő helyzetbe kerül, a gomb is a helyére pattan.

**MEGJEGYZÉS:** A nyél csak egy irányban fordítható el.

## Szélező üzemmód (C és D ábra)

Szélezéshez a vágófejet a C ábrán látható helyzetbe kell helyezni. Ha ez nem ebben az állásban lenne:

- ◆ Nyomja le a beállító gombot (6).
- ◆ Forgassa a nyelet (7), és közben engedje föl a gombot.
- ◆ Amikor a fej a megfelelő helyzetbe kerül, a gomb is a helyére pattan.

**Megjegyzés:** A nyél csak egy irányban fordítható el.

## A berendezés magasságának állítása (D ábra)

A berendezés teleszkópos nyele segítségével az Önnek legkényelmesebb magasságba állítható. Három magassági pozícióval rendelkezik.

A magasságállítást a következők szerint végezze:

- ◆ Nyomja le a beállító gombot (6).
- ◆ Óvatosan húzza ki a motorházból (16) vagy tolja be a motorháza a nyelet (7), hogy a kívánt magasságot elérje, közben engedje föl a gombot.
- ◆ Amikor a nyél a megfelelő helyzetbe kerül, a gomb a helyére pattan.

## Ki- és bekapcsolás

- ◆ A szerszám bekapcsolásához húzza meg a bekapcsoló kart (1).
- ◆ A szerszám kikapcsolásához engedje el a bekapcsoló kart.

**Figyelmeztetés!** Ne próbálja bekapcsolt helyzetben rögzíteni a bekapcsoló kart.

## Ajánlások az optimális használathoz

### Általános tanácsok

- ◆ Az optimális vágási eredmény érdekében csak száraz fűvet vágjon.



### Fűszegélynyírás

- ◆ A B ábrán látható módon tartsa a szerszámot.
- ◆ Lassan forgassa a szerszámot egyik oldalról a másikra.
- ◆ Ha magas fűvet vág, fokozatosan, lépésenként haladjon felülről lefelé. Egyszerre csak rövid darabokat vágjon.
- ◆ Tartsa távol a szerszámot a kemény tárgyaktól és az érzékeny növényektől.
- ◆ Ha a szerszám lassabban kezd fogorni, csökkentse a terhelést.

### Szélezés

Optimális vágási eredményt 50 mm-nél mélyebb szegélyeknél lehet elérni.

- ◆ Ne használja a szerszámot rézsűk kialakításához. A rézsűk kialakításához szegélyvágó ásót használjon.
- ◆ A C ábrán látható módon vezesse a szerszámot.
- ◆ Ha rövidebbre akarja vágni a fűvet, kissé döntse meg a szerszámot.

### Új tekercs vágószál felszerelése (E és G ábra)

Az orsó-szál cseréjéhez a cseredarabot Black & Decker márkakereskedőjétől szerezheti be (kat. sz. A6495).

- ◆ Tartsa lenyomva a füleket (17) és vegye le a tekercs fedőlapot (18) a tekercházról (10).
- ◆ Vegye ki az üres orsót (19) az orsópályából.
- ◆ Távolítsa el minden szennyeződést és fűtörmelékét a orsópályáról és a házba egyaránt.
- ◆ Tegye az új tekercsot a házba az agyra - igazítsa azt a nyílásokhoz (23) (F ábra).
- ◆ A szál végeit fűzze át a ház (10) megfelelő nyílásain (20). Húzza a vezetőszálat addig, amíg az meg nem húzza a nyílásokat (23) (G ábra).
- ◆ Igazítsa hozzá a tekercház fedélén lévő füleket (17) a tekercház nyílásaihoz (21).
- ◆ Tolja rá a fedelet a tekercházra, hogy szilárdan a helyére rögzüljön.

**Megjegyzés:** Győződjön meg a fedél megfelelő rögzítéséről; két kattánást hallhat, ha mindkét fül (17) a helyére pattant.

**Figyelmeztetés!** Ha a vágószálak túlnyúlnak a levágó pengén (9), vágja le azokat úgy, hogy éppen a pengéig érjenek.

### Új vágószál feltekerése üres orsóra (H - J ábrák)

Az üres orsóra új vágószálat tekerhet.

A Black & Decker márkakereskedőjétől vágószálat is rendelhet (kat. sz. A6171).

- ◆ Szerelje le az üres orsót a szerszámról az előbbiekben leírt módon.
- ◆ Távolítsa el arról a maradék vágószálat.
- ◆ Először az orsó felső részére tekerje föl a szálat:
  - Dugjon be 2 cm-nyi vágószálat az orsó felső részén lévő egyik nyílásba az ábrán látható módon.
  - A nyíl irányában tekerje föl a szálat az orsóra. Ügyeljen, hogy rendezetten, rétegekben tekerje föl a szálat. Ne kereszteződjön a szál.
  - Amikor eléri a tekercs peremét (22), vágja el a szálat.
  - Ideiglenesen rögzítse a szálat a tekercs oldalán lévő nyílásokba (23) az ábra szerint.
- ◆ Ismételje meg a fenti műveleteket a második vágószálnak az orsó alsó részén való elhelyezéséhez. Rögzítse a vágószálat a szabadon maradt nyílásokba (23).
- ◆ Szerelje fel a tekercsot a szerszáma az előbbiekben ismertetett módon. Ne mulassza el kiszabadítani a vágószálat az ideiglenes rögzítést szolgáló nyílásokból (23).

**Figyelmeztetés!** Csak a megfelelő típusú Black & Decker vágószálat használja. Ügyeljen, hogy a tekercs mindkét részén legyen vágószál.

### Hibaelhárítás

Ha úgy látja, szerszáma nem működik megfelelően, kövesse az alábbi utasításokat. Ha ez nem oldja meg a problémát, vegye föl a kapcsolatot a helyi Black & Decker márkaszervizzel.

**Figyelmeztetés!** Mielőtt folytatná, áramtalanítsa a szerszámot.

### A készülék lassan működik

- ◆ Ellenőrizze, hogy a tekercház szabadon forog-e. Szükség esetén gondosan tisztítsa meg.
- ◆ Ellenőrizze, hogy a vágószál nem lóg-e ki 11 cm-nél hosszabban a tekercház fedeléből. Ha tovább lóg ki, vágja le úgy, hogy éppen a pengéig érjen.

### Nem működik az automatikus vágószál-utánállítás

- ◆ Tartsa lenyomva a füleket, és vegye le az orsófedelelet a tekercházról.
- ◆ A vágószálat 11 cm-re húzza ki a tekercházból. Ha nincs elegendő vágószál

a tekercsen, a fentiekben leírtak szerint szereljen fel új tekercsot.

- ◆ Igazítsa hozzá az orsófédelén lévő füleket a tekercs ház nyílásaihoz.
- ◆ Tolja rá a fedelet a tekercs házra, hogy az szilárdan a helyére rögzüljön.
- ◆ Ha a vágószál túlnyúlik a levágó pengén, vágja le úgy, hogy az éppen a pengéig érjen.

Ha továbbra sem működik az automatikus vágószál-utánállítási, vagy a tekercs továbbra is be van ragadva, próbálkozzon a következőkkel:

- ◆ Gondosan tisztítsa meg és a tekercs házát.
- ◆ Szerelje le a tekercsot, és ellenőrizze, hogy szabadon mozog-e a kar.
- ◆ Szerelje le az tekercsot, tekerje le a vágószálat, majd tekerje föl újra rendben a fentiekben leírt módon. Szerelje vissza a tekercsot az utasítások szerint.

## Karbantartás

Az Ön hálózati/ akkumulátoros Black & Decker készülékét minimális karbantartás mellett hosszú távú felhasználásra terveztük. A folyamatos kielégítő működés feltétele a megfelelő gondozás és rendszeres tisztítás.

**Figyelmeztetés!** A hálózati/ akkumulátoros szerszám karbantartása előtt:

- ◆ Kapcsolja ki és áramtalanítsa a készüléket/ szerszámot.
- ◆ Vagy kapcsolja ki és vegye le az akkumulátort róla, ha az levehető akkumulátorral működik.
- ◆ Vagy hagyja teljesen lemerülni az akkumulátort, ha az a géppel egybe van építve, majd ezután kapcsolja ki.
- ◆ Húzza ki a töltő tápkábelét a tisztítás előtt. Az akkumulátor a rendszeres tisztításon kívül nem igényel más karbantartást.
- ◆ Puha kefével vagy száraz törülközővel rendszeresen tisztítsa meg a készülék/ szerszám/töltő szellőzőnyílásait.
- ◆ A motorburkolatot tisztítsa rendszeresen nedves ruhával. Ne használjon súrolószert vagy oldószer alapú tisztítószereket.
- ◆ Rendszeresen nyissa ki a tokmányt (ha van rajta) és ütgesse meg, hogy a belsejéből kihulljon a por.

## Környezetvédelem



Elkülönítve gyűjtendő. A terméket a háztartási hulladékoktól külön kell kezelni.

Ha egy nap úgy találja, hogy az Ön Black & Decker szerszáma cseréire szorul vagy

a továbbiakban nincs rá szüksége, akkor azt a háztartási hulladékoktól elkülönítve selejtezze le. Gondoskodjék elkülönített kezeléséről.



A használt termékek és a csomagolás elkülönített kezelése lehetővé teszi az anyagok újrahasznosítását. A hasznosított és újrafelhasznált anyagok segítik a környezet védelmét és csökkentik a nyersanyag-szükségleteket.

A helyi rendelkezések előírhatják az elektromos termékek háztartási hulladékoktól elkülönített kezelését, gyűjtését a hulladékudvarokban vagy előírhatják a forgalmazók általi gyűjtést új termék vásárlása esetén.

A Black & Decker lehetőséget biztosít a Black & Decker termékek gyűjtésére és újrafeldolgozására, ha azok elérték élettartamuk végét. A szolgáltatás igénybevételéhez kérjük, vigye vissza a terméket bármely márkaszervizünkbe, ahol vállalatunk képviselőjében gondoskodnak annak elkülönített összegyűjtéséről.

Az Önhöz legközelebb eső hivatalos márkaszervizt a kézikönyvben megadott helyi Black & Decker képviselő segítségével érheti el. Alternatív megoldásként a szerződött Black & Decker szervizek listája, illetve az eladásutáni szolgáltatásaink és ezek elérhetőségének részletes ismertetése a következő internetes címen érhető el: [www.2helpU.com](http://www.2helpU.com)

## Műszaki adatok

|                        | GL701                   | GL710      | GL716      |
|------------------------|-------------------------|------------|------------|
|                        | TÍPUS: 3-5              | TÍPUS: 3-5 | TÍPUS: 3-5 |
| Bemeneti feszültség    |                         |            |            |
| Vváltakozó áram        | 230                     | 230        | 230        |
| Felvett teljesítmény   | W 550                   | 520        | 580        |
| Üresjárat fordulatszám | min <sup>-1</sup> 6 500 | 6 500      | 6 500      |
| Súly                   | kg 3,2                  | 3,2        | 3,2        |

|                        | GL720                   | GL741      |
|------------------------|-------------------------|------------|
|                        | TÍPUS: 3-5              | TÍPUS: 3-5 |
| Bemeneti feszültség    |                         |            |
| Vváltakozó áram        | 230                     | 230        |
| Felvett teljesítmény   | W 600                   | 700        |
| Üresjárat fordulatszám | min <sup>-1</sup> 6 500 | 6 500      |
| Súly                   | kg 3,2                  | 3,2        |

Kéz/kar súlyozott rezgési érték az EN 786 szerint: = 7,5 m/s<sup>2</sup>, Bizonytalanság (K) = 1,5 m/s<sup>2</sup>

**CE megfelelési nyilatkozat**GÉPEK IRÁNYELV  
KÖRNYEZETI ZAJ IRÁNYELV**GL701/GL710/GL716/GL720/GL741**

Black & Decker kinyilvánítja, hogy a "Műszaki adatok" részben ismertetett termékek megfelelnek a következő irányelveknek és szabványoknak: 98/37/EK (2009. dec. 28-ig), 2006/42/EK (2009. dec. 29-től), EN 60335-1, EN 60335-2-91.

2000/14/EK, Szegélyvágó  $L \leq 50$  cm, VIII. melléklet

KEMA Quality B.V., Utrechtseweg 310, 6802 ED Arnhem, Hollandia

Tanúsító szervezet azonosító száma: 0344

A hangerő szintje a 2000/14/EK szerint:  
(12-es cikkely, III. függelék,  $L \leq 50$  cm):

$L_{WA}$  (mért hangteljesítmény) 95 dB(A)

Bizonytalanság (K) = 3 dB(A)

$L_{WA}$  (garantált legnagyobb hangteljesítmény)

96 dB(A)

Bizonytalanság (K) = 3 dB(A)

A termékek megfelelnek a 2004/108/EK irányelv követelményeinek is. Ha további információra lenne szüksége, akkor lépjen kapcsolatba a Black & Decker vállalattal a következőkben megadott elérhetőségeken, ill. lásd az elérhetőségeket a kézikönyv hátoldalán.

Az aláírás tulajdonosa a műszaki adatok összeállításáért felelős személy; nyilatkozatát a Black & Decker vállalat nevében adja.

Kevin Hewitt  
Alelnök globális  
mérnökség  
Black & Decker Europe,  
210 Bath Road, Slough,  
Berkshire, SL1 3YD  
Egyesült Királyság  
1-10-2009

Angol szabadalmi igénybejelentés száma:  
059745.6

Közösségi formatervezési mintaoltalmi  
igénybejelentés száma: 340385-0001 & 339544-  
0001

Az Önhöz legközelebb eső hivatalos márkaszervizt a kézikönyvben megadott helyi Black & Decker képviselő segítségével érheti el. Alternatív megoldásként a szerződött Black & Decker szervizek listája, illetve az eladásutáni szolgáltatásaink és ezek elérhetőségének részletes ismertetése a következő internetes címen érhető el: [www.2helpU.com](http://www.2helpU.com).

Kérjük, látogassa meg a [www.blackanddecker.hu](http://www.blackanddecker.hu) weboldalunkat, hogy regisztrálja az új Black & Decker termékét, ill. hogy megismerje az új termékeinkkel és egyedi ajánlatainkkal kapcsolatos legújabb híreinket. A Black & Decker márkával és termékválasztékunkkal kapcsolatos további tájékoztatást a [www.blackanddecker.hu](http://www.blackanddecker.hu) internetes címen találhat.

## BLACK & DECKER JÓTÁLLÁSI FELTÉTELEK

Gratulálunk Önnek ennek az értékes Black & Decker készülék megvásárlásához.

Azon termékeinkre, amelyet fogyasztói szerződés keretében háztartási, hobby célra vásárolnak **24 hónap jótállást biztosítunk.**

### A termék iparszerű használatra nem alkalmas!

A jótállás a fogyasztó törvényből eredő jogait nem érinti.

1) A Stanley Black & Decker Hungary Kft. kötelezettséget vállal arra, hogy a jótállás keretében végzett javításokat a 49/2003. (VII.30.) GKM rendelet és a 151/2003. (IX.22.) Korm. rendelet szerint végzi a jótállás teljes időtartama alatt.

a) A fogyasztó jótállási igényét a jótállási jeggyel érvényesítheti, ezért azt őrizze meg.

b) Vásárláskor a forgalmazónak (kereskedőnek) a jótállási jegyen fel kell tüntetnie a termék típusát, gyártási számát, továbbá – amennyiben van ilyen – azonosításra alkalmas részeinek meghatározását, illetve a vásárlás időpontját. A jótállási jegyet a forgalmazó (kereskedő) nevében eljáró személynek alá kell írnia és a kereskedés azonosítására alkalmas tartalmú (minimum cégnev, üzlet címe) bélyegzővel olvashatóan le kell bélyegezni. Kérjük, kísérje figyelemmel a jótállási jegy megfelelő érvényesítését, mivel a kijelölt szervizeknél a jótállási igény csak érvényes jótállási jeggyel érvényesíthető. Amennyiben a jótállási jegy szabálytalanul került kiállításra, jótállási igényével kérjük forduljon a terméket az Ön részére értékesítő partnerünkhöz (kereskedőhöz). A jótállási jegy szabálytalan kiállítása vagy a fogyasztó részére történő átadás elmaradása nem érinti a jótállási kötelezettségvállalás érvényességét. Kérjük, hogy a jótállási jegyen kívül a nyugtát vagy számlát is szíveskedjen megőrizni a gyorsabb és hatékonyabb ügyintézés érdekében.

c) Elvesztett jótállási jegyet csak a fogyasztói szerződés létrejöttét igazoló nyugta vagy számla ellenében tudunk pótolni!

### 2) Nem terjed ki a jótállás:

a) amennyiben a hiba oka rendeltetésellenes, illetve a mellékelt magyar nyelvű használati kezelési útmutatóban foglaltaktól eltérő használat, átalakítás, szakszerűtlen kezelés, helytelen tárolás, elemi kár vagy egyéb a vásárlás után a fogyasztó érdekkörében keletkezett ok;

b) amennyiben a terméket iparszerű (professzionális) célokra használták, kölcsönzési szolgáltatás nyújtásához használták fel (nem fogyasztói szerződés);

c) azon alkatrészekre, amelyek esetében a meghibásodás a jótállási időn belüli rendeltetészerű használat mellett az alkatrészek természetes elhasználódása, kopása miatt következett be (így különösen: fűrészlánc, fűrészlap, gyalukés, meghatószíj, csapágyak, szénkefe, csillagkerék);

d) a készülék túlterhelése miatt jelentkező hibákra, amelyek a hajtómű meghibásodásához, vagy egyéb ebből adódó károkhoz vezetnek;

e) a termék nem hivatalos szervizben történt javításából eredő hibákra;

f) az olyan károsodásokra, amelyek nem eredeti Black & Decker kiegészítő készülékek és tartozékok használatából adódnak **amennyiben a szakszerviz bizonyítja, hogy a hiba a fenti okok valamelyikére vezethető vissza.**

3) A fogyasztó a kijavítás iránti igényét a forgalmazónál, illetve a jótállási jegyen feltüntetett javítószolgálatnál érvényesítheti.

a) Meghosszabbodik a jótállási idő a kijavítási idő azon részével, amely alatt a fogyasztó a terméket nem tudta rendeltetészerűen használni.

b) A jótállási jog érvényesíthetőségének határideje a terméknek vagy jelentősebb részének (motor állórész, forgórész, elektronika) kijavítása vagy kicserélése esetén a kicserélt, kijavított termékre (jelentősebb részére), valamint a kijavítás következményeként jelentkező hiba tekintetében újból kezdődik.

c) Ha a fogyasztási cikk a vásárlástól (üzembe helyezéstől) számított három munkanapon belül meghibásodik, a fogyasztó kérheti annak kicserélését feltéve, hogy a meghibásodás a rendeltetészerű használatot akadályozza. A Stanley Black & Decker Hungary Kft. a hiba létezése, illetve annak megállapítása céljából, hogy a hiba a rendeltetészerű használatot akadályozza, fenntartja a jogot a hibás termék bevizsgálására.

d) Amennyiben a jótállási igény bejelentését követően az igény teljesíthetőségéről azonnal nem nyilatkozunk, úgy három munkanapon belül kell értesítenünk a fogyasztót a reklamáció intézésének módjáról.

e) Ha a csere nem lehetséges, műszakilag hasonló készülék kerül felajánlásra, vagy visszafizetésre kerül a vételár.

4) A jótállás alapján történő javítás során a forgalmazónak (kereskedőnek) törekednie kell arra, hogy a kijavítást legfeljebb 15 napon belül megfelelő minőségben elvégezze, elvegeztesse.

A jótállás keretében tartozó javítás esetén a forgalmazó, illetve a javítószolgálat a jótállási jegyen köteles feltüntetni:

- a javítási igény bejelentésének és a javításra átvétel időpontját,
- a hiba okát
- a javítás módját
- a termék fogyasztó részére történő visszaadásának időpontját,
- a jótállás – kijavítás időtartamával meghosszabbított – új határidejét.

### A termék meghibásodása esetén a fogyasztót az alábbi jogok illetik meg:

Elsősorban - választása szerint - kijavítást vagy kicserélést követelhet.

A csereigény akkor megalapozott, ha a termék a fogyasztónak okozott jelentős kényelmetlenség nélkül, megfelelő minőségben és ésszerű határidőn belül, értékcsökkenés nélkül nem javítható ki, vagy nem kerül kijavításra.

Ha az előírt módon történő kijavításra, illetve kicserélésre vonatkozó kötelezettségének a forgalmazó nem tud eleget tenni, a fogyasztó – választása szerint – megfelelő árleszállítást igényelhet vagy elállhat a szerződéstől (a hibás áru visszaszolgáltatásával egyidejűleg kérheti a nyugtán vagy számlán feltüntetett bruttó vételár visszatérítését). Jelentéktelen hiba miatt elállásnak nincs helye!

Kérjük, hogy a hiba felfedezését követő legrövidebb időn belül szíveskedjen azt a szervizben vagy a forgalmazónál bejelenteni.

A kijavítást vagy kicserélést - a dolog tulajdonságaira és a fogyasztó által elvárható rendeltetésére figyelemmel - megfelelő határidőn belül, a fogyasztónak okozott jelentős kényelmetlenség nélkül kell elvégezni. A fogyasztó a kijavítás iránti igényét a jótállási jegyen feltüntetett javítószolgálatnál, illetve a forgalmazó (kereskedő) üzletében érvényesítheti.

|                        |                                    |
|------------------------|------------------------------------|
| Gyártó:                | Forgalmazó:                        |
| Black & Decker Europe, | Stanley Black & Decker Hungary Kft |
| 210 Bath Road, Slough, | 1016. Budapest                     |
| Berkshire, SL13YD,     | Mészáros u. 58/B                   |
| Egyesült Királyság     |                                    |

## Przeznaczenie

Opisywana podkaszarka Black & Decker przeznaczona jest do koszenia i przycinania krawędzi i trawników oraz koszenia trawy w trudno dostępnych miejscach. Opisywane urządzenie przeznaczone jest wyłącznie do użytku amatorskiego.

## Zasady bezpiecznej pracy

**Uwaga!** W czasie pracy narzędziami zasilanymi sieciowo, należy przestrzegać podstawowych zasad bezpiecznej pracy oraz poniższych zaleceń, co pozwala zminimalizować ryzyko pożaru, porażenia prądem, zranienia lub uszkodzenia mienia.

- ◆ Przed przystąpieniem do użytkowania należy dokładnie przeczytać instrukcję obsługi.
- ◆ Przeznaczenie urządzenia opisane jest w instrukcji obsługi. Użycie akcesoriów lub końcówek innych niż opisane w instrukcji obsługi oraz wykorzystanie urządzenia do innych celów, jest niebezpieczne i stwarza ryzyko zranienia.
- ◆ Zachowaj instrukcję do późniejszego użycia.

## Użytkowanie urządzenia

W czasie użytkowania urządzenia, należy zachować ostrożność.

- ◆ Zawsze należy używać okularów ochronnych lub gogli.
- ◆ Nie wolno pozwalać dzieciom ani osobom nie znającym instrukcji na użytkowanie urządzenia.
- ◆ Nie pozwalaj dzieciom ani zwierzętom zbliżyć się do obszaru pracy ani dotykać urządzenia lub przewodu zasilającego.
- ◆ Jeśli urządzenie jest używane w pobliżu dzieci, należy zapewnić dodatkową opiekę.
- ◆ Opisywane urządzenie nie jest przeznaczone do użytkowania bez nadzoru przez osoby młode lub słabe.
- ◆ Opisywane urządzenie nie jest zabawką i nie może być w ten sposób wykorzystywane.
- ◆ Używaj urządzenia tylko przy dobrym oświetleniu dziennym lub sztucznym.
- ◆ Używać wyłącznie w suchym otoczeniu. Nie dopuszczaj do zamoczenia urządzenia.
- ◆ Nie wolno zanurzać urządzenia w wodzie.
- ◆ Nie wolno otwierać obudowy. Wewnątrz nie ma żadnych elementów, które wymagają konserwacji przez użytkownika.
- ◆ Nie wolno używać urządzenia w atmosferze wybuchowej, w pobliżu palnych cieczy, gazów czy pyłów.

- ◆ Aby uniknąć uszkodzenia wtyczki lub przewodu, nigdy nie wolno ciągnąć za przewód zasilający, aby wyjąć wtyczkę z kontaktu.

## Bezpieczeństwo osób postronnych

- ◆ Opisywane urządzenie nie jest przystosowane do użycia przez osoby (dotyczy także dzieci) o obniżonej sprawności fizycznej umysłowej lub zmysłów, oraz o niedostatecznej wiedzy i doświadczeniu. Za wyjątkiem sytuacji, gdy pozostają one pod nadzorem lub zostały przeszkolone przez osoby odpowiedzialne za ich bezpieczeństwo.
- ◆ Należy pilnować dzieci, aby nie bawiły się urządzeniem.

## Po użyciu

- ◆ Nie używane urządzenie należy przechowywać w suchym, dobrze wentylowanym miejscu, poza zasięgiem dzieci.
- ◆ Urządzenie przechowywać poza zasięgiem dzieci.
- ◆ Urządzenie należy przechowywać i transportować w pudle lub przywiązywać, aby zapobiec przemieszczaniu się w razie nagłych zmian prędkości lub kierunku.

## Przeglądy i naprawy

- ◆ Przed użyciem sprawdzić, czy nie ma zniszczonych lub uszkodzonych części. Sprawdzić wszelkie elementy i inne okoliczności mogące mieć wpływ na pracę urządzenia.
- ◆ Nie wolno używać urządzenia, jeśli żadna z części nie jest uszkodzona lub zepsuta.
- ◆ Naprawy i wymianę części należy powierzać autoryzowanym serwisom.
- ◆ Nie wolno demontować ani wymieniać innych części niż opisywane w niniejszej instrukcji obsługi.

## Użycie przedłużacza

Należy zawsze używać przedłużacza dostosowanego do poboru mocy przez urządzenie (patrz dane techniczne). Przedłużacz musi być przeznaczony do użycia na dworze i posiadać odpowiednie oznaczenia. Użycie przedłużacza oznaczonego HO5V V-F, o maksymalnej długości 30 m i przekroju 1,5 mm<sup>2</sup> nie spowoduje spadku mocy urządzenia. Przed rozpoczęciem pracy sprawdź, czy przewód nie jest uszkodzony lub zużyty. Uszkodzony przedłużacz należy wymienić. Jeśli przewód nawinięty jest na bęben, należy zawsze całkowicie go rozwinąć.

## Dodatkowe wskazówki dotyczące bezpiecznej pracy podkaszarkami

**Uwaga!** Elementy tnące obracają się jeszcze przez jakiś czas po wyłączeniu silnika.

- ◆ Zapoznaj się ze sterowaniem i zasadami właściwego użytkowania urządzenia.
- ◆ Przed użyciem należy sprawdzić stan przewodu zasilającego i przedłużacza, czy widoczne są oznaki uszkodzenia lub zużycia. W razie uszkodzenia przewodu w czasie pracy, należy natychmiast odłączyć go od źródła zasilania. **NIE WOLNO DOTYKAĆ PRZEWODU PRZED ODŁĄCZENIEM ZASILANIA.**
- ◆ Nie wolno używać urządzenia, gdy przewód jest uszkodzony lub zużyty.
- ◆ Aby zabezpieczyć stopy, w czasie pracy noś wysokie buty.
- ◆ Aby zabezpieczyć nogi, w czasie pracy noś długie spodnie.
- ◆ Przed rozpoczęciem pracy sprawdź, czy w obszarze pracy nie ma żadnych patyków, kamieni, drutów lub innych przeszkód.
- ◆ Używaj urządzenia tylko w pozycji pionowej tak, aby żyłka znajdowała się w pobliżu ziemi. Nie wolno włączać urządzenia w innej pozycji.
- ◆ W czasie pracy poruszaj się powoli. Uważaj, ponieważ świeżo ścięta trawa jest mokra i śliska.
- ◆ Nie pracuj na stromych zboczach. Pracuj w poprzek zbocza, nie w kierunku góra-dół.
- ◆ Nie wolno przechodzić przez ścieżki żwirowe i uliczki z włączonym urządzeniem.
- ◆ Nie wolno dotykać żyłki w czasie, gdy włączone jest urządzenie.
- ◆ Urządzenie można odłożyć dopiero, kiedy żyłka całkowicie się zatrzyma.
- ◆ Używać wyłącznie odpowiednich żyłek. Nie wolno używać metalowych żyłek.
- ◆ Uważaj, aby nie dotknąć ostrza odcinającego żyłkę.
- ◆ Trzymaj przewód zasilający z dala od żyłki. Zawsze kontroluj położenie przewodu zasilającego.
- ◆ Trzymaj ręce i stopy zawsze z dala od żyłki, szczególnie w czasie uruchamiania.
- ◆ Przed rozpoczęciem pracy i po każdym uderzeniu, należy sprawdzić stan urządzenia. W przypadku oznak zużycia lub uszkodzenia, należy przeprowadzić odpowiednie naprawy.
- ◆ Nie wolno używać urządzenia z uszkodzonymi osłonami lub bez poprawnie założonych osłon.
- ◆ Uważaj aby nie zranić się elementami służącymi do obcinania żyłki. Po rozwinięciu

nowej żyłki, należy najpierw ustawić podkaszarkę w pozycji roboczej a dopiero potem ją włączyć.

- ◆ Zawsze sprawdzaj, czy otwory wentylacyjne są czyste.
- ◆ Nie wolno używać urządzenia, gdy przewód jest uszkodzony lub zużyty.
- ◆ Trzymaj przedłużacze z dala od elementów tnących.

## Oznaczenia na urządzeniu

Na urządzeniu umieszczone są następujące symbole ostrzegawcze:



Przed rozpoczęciem pracy przeczytać instrukcję obsługi.



W czasie pracy opisywanym urządzeniem, należy nosić okulary ochronne lub gogle.



Inne osoby oraz zwierzęta powinny znajdować się w odległości co najmniej 6 m od miejsca pracy.



Nie wolno wystawiać urządzenia na działanie deszczu lub dużej wilgotności.

## Ochrona przed porażeniem prądem elektrycznym



Opisywane urządzenie jest podwójnie izolowane; dlatego nie ma konieczności stosowania dodatkowego uziemienia. Zawsze sprawdzaj, czy napięcie źródła zasilania jest zgodne z wartością podaną na tabliczce znamionowej.

- ◆ Ze względów bezpieczeństwa wymianę uszkodzonego przewodu zasilającego należy powierzyć producentowi lub autoryzowanemu centrum serwisowemu Black & Decker.

## Wyposażenie

Opisywane urządzenie zawiera wszystkie lub niektóre z niżej wymienionych elementów.

1. Wyłącznik
2. Rękojeść
3. Zaczep podtrzymujący przewód
4. Gniazdo zasilania
5. Druga rękojeść
6. Przycisk regulacji
7. Rura
8. Osłona
9. Ostrze przycinające żyłkę
10. Kaseta żyłki
11. Żyłka
12. Prowadnica krawędziowa

## Montaż

**Uwaga!** Przed rozpoczęciem montażu należy upewnić się, czy urządzenie jest wyłączone i wtyczka zasilania jest odłączona.

### Montaż osłony (Rys. A)

- ◆ Wykręcić śruby z łbem sześciokątnym (13) z głowicy (14).
- ◆ Nałożyć osłonę (8) na narzędzie, jak pokazano na rysunku.
- ◆ Mocno docisnąć osłonę, aż do wsunięcia na miejsce.
- ◆ Przykręcić osłonę za pomocą śrub z łbem sześciokątnym.
- ◆ Dokręcić śruby za pomocą dołączonego klucza sześciokątnego (15).

**Uwaga!** Nie wolno używać urządzenia bez poprawnie zamontowanej osłony.

### Luzowanie żyłki

Na czas transportu żyłka przyklejona jest taśmą do kasety.

- ◆ Usunąć taśmę przytwierdzającą żyłkę (11) do kasety (10).

### Przylączanie urządzenia do zasilania

- ◆ Przyłączyć wtyczkę żenišką odpowiedniego przedłużacza do gniazda zasilania (4).
- ◆ Przełożyć przewód przez zaczepek (3).
- ◆ Włożyć wtyczkę przewodu zasilającego do kontaktu.

**Uwaga!** Przedłużacz musi być dopuszczony do użycia na dworze.

### Pozostałe zagrożenia.

W czasie pracy elektronarzędziem mogą powstać zagrożenia, które nie zostały uwzględnione w załączonej instrukcji dotyczącej bezpiecznego użytkowania. Zagrożenia te mogą być wynikiem niewłaściwego użytkowania, zbyt długotrwałej pracy itp. Nawet stosowanie się do zasad bezpiecznej pracy i stosowanie środków ochronnych, nie zabezpiecza w pełni przed niektórymi zagrożeniami. Należy do nich:

- ◆ **Zranienia wynikające z dotknięcia wirujących / ruchomych elementów.**
- ◆ **Zranienia w czasie wymiany części, ostrzy lub akcesoriów.**
- ◆ **Zranienia związane ze zbyt długotrwałym użytkowaniem narzędzia. Pracując przez dłuższy czas, należy robić regularne przerwy.**
- ◆ **Uszkodzenie słuchu.**
- ◆ **Uszczerbek na zdrowiu związany z wdychaniem pyłów powstających**

**w czasie pracy narzędziem (np. w czasie obróbki drewna, szczególnie dębu, buku i MDF).**

## Eksplatacja

**Uwaga!** Pozwól narzędziu na pracę we własnym tempie. Nie przeciążaj narzędzia.

### Przestawianie urządzenia do pracy w trybie koszenia i przycinania krawędzi (Rys. B - D)

Opisywana podkaszarka może służyć do koszenia trawy, jak pokazano na rysunku B lub do przycinania krawędzi trawnika np. wzdłuż rabat, jak pokazano na rysunku C.

#### Koszenie (Rys. B i D)

Do koszenia należy ustawić głowicę, jak pokazano na rysunku B. Jeśli głowica znajduje się w innej pozycji:

- ◆ Wcisnąć przycisk regulacji (6).
- ◆ Obracając rurę (7) zwolnić przycisk.
- ◆ Po ustawieniu w odpowiedniej pozycji, przycisk zablokuje się.

**Uwaga:** Rura obraca się tylko w jednym kierunku.

#### Przycinanie krawędzi (Rys. C i D)

Do przycinania krawędzi należy ustawić głowicę, jak pokazano na rysunku C. Jeśli głowica znajduje się w innej pozycji:

- ◆ Wcisnąć przycisk regulacji (6).
- ◆ Obracając rurę (7) zwolnić przycisk.
- ◆ Po ustawieniu w odpowiedniej pozycji, przycisk zablokuje się.

**Uwaga:** Rura obraca się tylko w jednym kierunku.

#### Regulacja wysokości (Rys. D)

Opisywana podkaszarka wyposażona jest w teleskopową regulację długości, co pozwala na ustawienie wygodnej wysokości koszenia.

Wysokość można ustawić w trzech pozycjach.

Aby ustawić wysokość, należy:

- ◆ Wcisnąć przycisk regulacji (6).
- ◆ Lekko pociągając wysunąć rurę (7) z obudowy silnika (16). Zwalniając przycisk ustawić żądaną wysokość.
- ◆ Po ustawieniu w odpowiedniej pozycji, przycisk zablokuje się.

#### Włączanie i wyłączenie

- ◆ Aby włączyć podkaszarkę, należy wcisnąć wyłącznik (1).
- ◆ Aby wyłączyć podkaszarkę, należy zwolnić wyłącznik.

**Uwaga!** Nie wolno blokować wyłącznika w pozycji włączonej.

## Wskazówki praktyczne

### Ogólne

- ◆ Aby uzyskać optymalne efekty cięcia, należy ciąć tylko suchą trawę.

### Koszenie

- ◆ Trzymaj urządzenie jak pokazano na rysunku B.
- ◆ Płynnym ruchem przesuwaj kosiarkę na boki.
- ◆ W przypadku cięcia długiej trawy, należy ciąć stopniowo od góry. Przycinaj trawę po trochu.
- ◆ Nie zbliżaj podkaszarki do twardych przedmiotów i delikatnych roślin.
- ◆ Jeśli podkaszarka zwalnia, zmniejsz obciążenie.

### Przycinanie krawędzi

Najlepsze wyniki pracy osiąga się przy przycinaniu krawędzi wyższych niż 50 mm.

- ◆ Podkaszarka nie nadaje się do wycinania nowych brzegów. Brzegi wykonaj za pomocą łopaty.
- ◆ Trzymaj urządzenie jak pokazano na rysunku C.
- ◆ Aby wykonać mniejsze cięcie, lekko przechyl podkaszarkę.

### Montaż nowej szpulki z żyłką (Rys. E i G)

Zapasowe szpulki z żyłką dostępne są u autoryzowanych sprzedawców Black & Decker (numer katalogowy A6495).

- ◆ Wciskając zatrzaski (17) zdjąć pokrywę szpuli (18) z obudowy (10).
- ◆ Wyjąć pustą szpulę (19) z obudowy.
- ◆ Oczyszczyć osłonę i kasetę z zabrudzeń i trawy.
- ◆ Umieścić nową szpulę w obudowie tak, aby żyłki wychodziły przez wycięcia (23) (Rys. F).
- ◆ Przetoczyć końcówki żyłki przez odpowiednie otwory (20) w obudowie (10). Pociągnąć do momentu wyciągnięcia z wcięć (23) (Rys. G).
- ◆ Ustawić zapinki (17) osłony szpuli odpowiednio do wycięć (21) w kasecie.
- ◆ Wcisnąć osłonę (18) na kasetę (10), do momentu napięcia na miejscu.

**Uwaga:** Upewnij się, że pokrywa jest dobrze nałożona. W przypadku poprawnie założonej pokrywy, przy zapinaniu zapinek (17) dwa razy słychać kliknięcia oznaczające napięcie.

**Uwaga!** Jeśli żyłki wystają poza ostrze przycinające żyłkę (9), należy obciąć je tak, aby ledwo sięgały ostrza.

### Nawijanie nowej żyłki na pustą szpulę (Rys. H - J)

Istnieje możliwość nawinięcia nowej żyłki na szpulę. Opakowania z zapasową żyłką dostępne są u sprzedawców Black & Decker (numer katalogowy A6171).

- ◆ Wyjąć pustą szpulę w sposób opisany powyżej.
- ◆ Usunąć pozostałości starej żyłki ze szpuli.
- ◆ Najpierw nawinąć nową żyłkę na górną część szpuli:
  - Wsunąć 2 cm żyłki w nacięcia w górnej części szpuli, jak pokazano na rysunku.
  - Nawinąć żyłkę na szpulę w kierunku wskazanym przez strzałkę. Żyłkę należy nawijać starannie i w warstwach. Nie krzyżować żyłki.
  - Żyłkę należy nawinąć do poziomu wycięć (22) w brzegu szpuli a następnie obciąć.
  - Tymczasowo zaczepić żyłkę o wcięcie (23) na brzegu szpuli, jak pokazano na rysunku.
- ◆ Aby nawinąć drugą żyłkę na dolną część szpuli, należy postępować zgodnie z powyższym opisem. Zaczepić żyłkę w pozostałych wcięciach (23).
- ◆ Zamontować szpulę postępując zgodnie z powyższym opisem. Należy pamiętać o zwolnieniu żyłek zablokowanych we wcięciach (23).

**Uwaga!** Używać wyłącznie odpowiedniego rodzaju żyłek firmy Black & Decker. Należy upewnić się, że żyłka nawinięta jest na obie części szpuli.

### Rozwiązywanie problemów

Jeśli Państwa urządzenie pracuje w sposób niewłaściwy, prosimy o zastosowanie się do poniższych instrukcji. Jeśli to nie rozwiąże problemu, należy skontaktować się z lokalnym przedstawicielem serwisowym Black & Decker.

**Uwaga!** Przed podjęciem poniższych działań należy odłączyć wtyczkę od źródła zasilania.

### Urządzenie pracuje zbyt wolno

- ◆ Sprawdź, czy kasetę może się swobodnie obracać. Jeśli to konieczne, ostrożnie ją oczyść.
- ◆ Sprawdź, czy żyłka nie wystaje więcej niż 11 cm poza kasetę. Jeśli wystaje więcej, należy ją przyciąć tak, aby ledwo dosięgała ostrza przycinającego żyłkę.



### Nie działa automatycznie rozwijanie żyłki

- ◆ Trzymając wciśnięte zapinki zdejmij osłonę szpuli z kasety.
- ◆ Wyciągnij żyłkę tak, aby wystawała 11 cm z obudowy. Jeśli ilość żyłki nawiniętej na szpulę jest niewystarczająca, należy założyć nową żyłkę, postępując zgodnie z powyższą instrukcją.
- ◆ Ustaw pokrywę tak, aby zapinki spotykały się z wcięciami.
- ◆ Wciśnij pokrywę na obudowę aż do zapięcia.
- ◆ Jeśli żyłka wystaje poza ostrze przycinające żyłkę, należy obciąć ją tak, aby ledwo sięgała ostrza.

Jeśli automatycznie rozwijanie linki nadal nie działa lub szpula jest zaklinowana, należy spróbować:

- ◆ Ostrożnie oczyścić osłonę szpuli i kasety.
- ◆ Zdjąć szpulę i sprawdzić, czy dźwignia porusza się swobodnie.
- ◆ Zdjąć szpulę i rozwinąć żyłkę a następnie nawinąć ją w sposób opisany powyżej. Postępując zgodnie z instrukcją zamontować szpulę z powrotem.

### Konserwacja

Opisywane sieciowe/bezprzewodowe urządzenie/narzędzie Black & Decker zostało zaprojektowane tak, aby zapewnić długoletnią pracę przy minimalnej konieczności konserwacji. Aby długo cieszyć się właściwą pracą urządzenia, należy odpowiednio z nim postępować i regularnie je czyścić.

**Uwaga!** Przed przystąpieniem do czynności konserwacyjnych elektronarzędzi zasilanych sieciowo / akumulatorowo, należy:

- ◆ Wyłączyć urządzenie i wyjąć wtyczkę z kontaktu.
- ◆ Lub wyłączyć i wyjąć akumulator z urządzenia, jeśli akumulator jest wyjmowany.
- ◆ Lub, jeśli akumulator jest zintegrowany, należy całkowicie rozładować akumulator i wyłączyć urządzenie.
- ◆ Przed czyszczeniem wyjąć wtyczkę ładowarki z gniazda zasilającego. Ładowarka nie wymaga, oprócz okresowego czyszczenia, żadnej dodatkowej konserwacji.
- ◆ Okresowo czyścić otwory wentylacyjne urządzenia/narzędzia/ładowarki za pomocą miękkiej szczoteczki lub suchej ściereczki.
- ◆ Okresowo czyścić obudowę za pomocą wilgotnej ściereczki. Nie wolno używać środków do szorowania, ani na bazie rozpuszczalników.

- ◆ Okresowo otwierać zaciski i stukając wytrzeć z niego zbierający się we wnętrzu pył (jeśli dotyczy).

### Ochrona środowiska



Selektywna zbiórka odpadów. Opisywanego produktu nie wolno utylizować razem ze zwykłymi śmieciami z gospodarstw domowych.

Gdy okaże się, że konieczna jest wymiana posiadanego narzędzia Black & Decker lub nie będzie się go więcej używać, nie należy wyrzucać go razem ze śmieciami z gospodarstwa domowego. Należy przekazać produkt do punktu selektywnej zbiórki odpadów.



Selektywna zbiórka zużytych produktów i opakowań pozwala na powtórne wykorzystanie użytych materiałów. Powtórne użycie materiałów pomaga chronić środowisko naturalne przed zanieczyszczeniem i zmniejsza zapotrzebowanie na surowce.

Miejscowe prawodawstwo może zapewniać możliwość osobnego odbioru elektrośmieci z gospodarstw domowych, poprzez przekazanie ich do miejskich wysypisk śmieci lub sprzedawcy, w przypadku kupna nowego urządzenia.

Black & Decker zapewnia możliwość zbiórki i recyklingu swoich produktów po zakończeniu okresu eksploatacji. Aby skorzystać z tej możliwości, prosimy zwrócić się do jednego z Autoryzowanych Przedstawicieli Serwisowych, który odbierze je od Państwa w naszym imieniu.

Adres najbliższego przedstawiciela serwisowego otrzymają Państwo kontaktując się z miejscowym biurem Black & Decker, którego adres podany jest w niniejszej instrukcji. Lista autoryzowanych przedstawicieli serwisowych Black & Decker oraz informacje na temat naszego serwisu posprzedażnego i informacje kontaktowe, dostępne są w Internecie na stronie:

**www.2helpU.com**

### Dane techniczne

|                         |                   | GL701   | GL710   | GL716   |
|-------------------------|-------------------|---------|---------|---------|
|                         |                   | TYP 3-5 | TYP 3-5 | TYP 3-5 |
| Napięcie zasilania      | V <sub>AC</sub>   | 230     | 230     | 230     |
| Pobór mocy              | W                 | 550     | 520     | 580     |
| Prędkość bez obciążenia | min <sup>-1</sup> | 6 500   | 6 500   | 6 500   |
| Waga                    | kg                | 3,2     | 3,2     | 3,2     |

**POLSKI**

|                         | GL720                   | GL741   |
|-------------------------|-------------------------|---------|
|                         | TYP 3-5                 | TYP 3-5 |
| Napięcie zasilania      | V <sub>AC</sub> 230     | 230     |
| Pobór mocy              | W 600                   | 700     |
| Prędkość bez obciążenia | min <sup>-1</sup> 6 500 | 6 500   |
| Waga                    | kg 3,2                  | 3,2     |

Obciążenie drganiami na ręce/ramiona, zgodnie z normą EN786: = 7,5 m/s<sup>2</sup>,  
wahania (K) = 1,5 m/s<sup>2</sup>

### **Deklaracja zgodności UE**

DYREKTYWA MASZYNOWA  
DYREKTYWA HAŁASOWA



#### **GL701/GL710/GL716/GL720/GL741**

Firma Black & Decker oświadcza, że opisywane podkaszarki GL701/GL710/GL716/GL720/GL741 spełniają wymagania norm: 98/37/EC (do 28 grudnia 2009), 2006/42/EC (od 29 grudnia 2009), EN 60335-1, EN 60335-2-91

2000/14/EC, Podkaszarka L ≤ 50 cm, Aneks VIII  
KEMA Quality B.V., Utrechtseweg 310, 6802 ED  
Arnhem, The Netherlands

Jednostka notyfikowana nr ID.: 0344

Poziom mocy akustycznej zgodnie z 2000/14/EC  
(Artykuł 12, Aneks III, L ≤ 50 cm):

L<sub>WA</sub> (wartość zmierzona mocy akustycznej)  
95 dB(A), Wahania (K) = 3 dB(A)

L<sub>WA</sub> (wartość gwarantowana mocy akustycznej)  
96 dB(A), Wahania (K) = 3 dB(A)

Opisywane produkty spełniają także wymagania dyrektywy 2004/108/EC. Aby uzyskać więcej informacji, należy skontaktować się z firmą Black & Decker pod podanym adresem, lub zgodnie z informacjami podanymi na końcu instrukcji obsługi.

Niżej podpisana osoba odpowiedzialna jest za zestawienie informacji technicznych i składa niniejszą deklarację w imieniu firmy Black & Decker.

Kevin Hewitt  
Vice-President Global  
Techniczny  
Black & Decker Europe,  
210 Bath Road, Slough,  
Berkshire, SL1 3YD  
Wielka Brytania  
1-10-2009

Zgłoszenie patentowe w Wielkiej Brytanii numer:  
059745.6

Zgłoszenie patentowe we Wspólnocie  
Europejskiej numer: 340385-0001 & 339544-  
0001

## Black & Decker

### WARUNKI GWARANCJI:

Produkty marki Black & Decker reprezentują bardzo wysoką jakość, dlatego oferujemy dla nich korzystne warunki gwarancyjne. Niniejsze warunki gwarancji nie pomniejszają praw klienta wynikających z polskich regulacji ustawowych lecz są ich uzupełnieniem. Gwarancja jest ważna na terenie Rzeczypospolitej Polskiej.

Black & Decker gwarantuje sprawne działanie produktu w przypadku postępowania zgodnego z warunkami techniczno-eksploatacyjnymi opisanymi w instrukcji obsługi.

Niniejszą gwarancją nie jest objęte dodatkowe wyposażenie, jeżeli nie została do niego dołączona oddzielna karta gwarancyjna oraz elementy wyrobu podlegające naturalnemu zużyciu.

1. Niniejszą gwarancją objęte są usterki produktu spowodowane wadami produkcyjnymi i wadami materiałowymi.
2. Niniejsza gwarancja jest ważna po przedstawieniu przez Klienta w Centralnym Serwisie Gwarancyjnym reklamowanego produktu oraz łącznie:
  - a) poprawnie wypełnionej karty gwarancyjnej;
  - b) ważnego paragonu zakupu z datą sprzedaży taką, jak w karcie gwarancyjnej lub kopii faktury.
3. Gwarancja obejmuje bezpłatną naprawę urządzenia (wraz z bezpłatną wymianą uszkodzonych części) w okresie 24 miesięcy od daty zakupu.
4. Produkt reklamowany musi być:
  - a) dostarczony bezpośrednio do Centralnego Serwisu Gwarancyjnego wraz z poprawnie wypełnioną Kartą Gwarancyjną i ważnym paragonem zakupu (lub kopią faktury) oraz szczegółowym opisem uszkodzenia, lub
  - b) przesłany do Centralnego Serwisu Gwarancyjnego za pośrednictwem punktu sprzedaży wraz z dokumentami wymienionymi powyżej.
5. Koszty wysyłki do Centralnego Serwisu Gwarancyjnego ponosi Serwis. Wszelkie koszty związane z zapewnieniem bezpiecznego opakowania, ubezpieczeniem i innym ryzykiem ponosi Klient. W przypadku odrzucenia roszczenia gwarancyjnego, produkt jest odsyłany do miejsca nadania na koszt adresata.
6. Usterki ujawnione w okresie gwarancji będą usunięte przez Centralny Serwis Gwarancyjny w terminie:
  - a) 14 dni roboczych od daty przyjęcia produktu przez Centralny Serwis Gwarancyjny;
- b) termin usunięcia wady (punkt 6a) może być wydłużony o czas niezbędny do importu niezbędnych części zamiennych.
7. Klient otrzyma nowy sprzęt, jeżeli:
  - a) Centralny Serwis Gwarancyjny stwierdzi na piśmie, że usunięcie wady jest niemożliwe;
  - b) produkt nie podlega naprawie, tylko wymianie bez dokonywania naprawy.
8. O ile taki sam produkt jest nieosiągalny, może być wydany nowy produkt o nie gorszych parametrach.
9. Decyzja Centralnego Serwisu Gwarancyjnego odnośnie zasadności zgłaszanych usterek jest decyzją ostateczną.
10. Gwarancją nie są objęte:
  - a) wadliwe działanie lub uszkodzenia spowodowane niewłaściwym użytkowaniem lub używaniem produktu niezgodnie z przeznaczeniem, instrukcją obsługi lub przepisami bezpieczeństwa. W szczególności profesjonalne użytkowanie amatorskich narzędzi Black & Decker powoduje utratę gwarancji;
  - b) wadliwe działanie lub uszkodzenia spowodowane przeciążaniem narzędzia, które prowadzi do uszkodzeń silnika, przekładni lub innych elementów a także stosowaniem osprzętu innego niż zalecany przez Black & Decker;
  - c) mechaniczne uszkodzenia produktu i wywołane nimi wady;
  - d) wadliwe działanie lub uszkodzenia na skutek działania pożaru, powodzi, czy też innych klęsk żywiołowych, nieprzewidzianych wypadków, korozji, normalnego zużycia w eksploatacji czy też innych czynników zewnętrznych;
  - e) produkty, w których naruszone zostały plomby gwarancyjne lub, które były naprawiane poza Centralnym Serwisem Gwarancyjnym lub były przerabiane w jakikolwiek sposób;
  - f) osprzęt eksploatacyjny dołączony do urządzenia oraz elementy ulegające naturalnemu zużyciu.
11. Centralny Serwis Gwarancyjny, firmy handlowe, które sprzedały produkt, nie udzielają uprawnień ani gwarancji innych niż określone w karcie gwarancyjnej. W szczególności nie obejmują prawa klienta do domagania się zwrotu utraconych zysków w związku z uszkodzeniem produktu.
12. Gwarancja nie wyłącza, nie ogranicza ani nie zawiesza uprawnień kupującego wynikających z niezgodności towaru z umową.

### Centralny Serwis Gwarancyjny ERPATECH

ul. Bakaliowa 26, 05-080 Mościska

tel.: (22) 862-08-08, (22) 431-05-05

faks: (22) 862-08-09

## Použitie výrobku

Vaša strunová kosačka Black & Decker je určená na kosenie okrajov trávnikov a na kosenie trávy na zle prístupných miestach. Tento výrobok je určený len na spotrebiteľské použitie.

## Bezpečnostné pokyny

**Varovanie!** Pri použití elektrického náradia napájaného káblom by mali byť vždy dodržiavané základné bezpečnostné pokyny, vrátane nasledujúcich, aby ste znížili riziko požiaru, riziko úrazu elektrickým prúdom alebo iného poranenia a materiálnych škôd.

- ◆ Pred použitím tohto výrobku si riadne preštudujte celý návod.
- ◆ Použitie tohto výrobku je popísané v tomto návode. Použitie iného príslušenstva alebo prídavného zariadenia a vykonávanie iných pracovných operácií než je odporúčané týmto návodom, môže spôsobiť poranenie obsluhy.
- ◆ Tento návod si uschovajte pre prípadné ďalšie použitie.

## Použitie zariadenia

Pri práci s týmto výrobkom buďte vždy opatrní.

- ◆ Vždy používajte ochranné okuliare alebo inú vhodnú ochranu zraku.
- ◆ Nikdy nedovoľte, aby s týmto výrobkom pracovali deti alebo osoby, ktoré nie sú oboznámené s týmito pokynmi.
- ◆ Nedovoľte deťom, ostatným osobám alebo zvieratám, aby sa dostali do blízkosti pracovného priestoru a aby sa dotýkali náradia alebo prírodného kábla.
- ◆ Ak sa nachádzajú deti pri používaní tohto výrobku v jeho blízkosti, musíte byť veľmi opatrní.
- ◆ Toto náradie nie je určené na to, aby ho používala nedospelá alebo neskúsená osoba bez dozoru.
- ◆ Toto zariadenie sa nesmie používať ako hračka.
- ◆ Používajte tento výrobok iba cez deň alebo pri kvalitnom osvetlení.
- ◆ Používajte toto zariadenie iba v suchom prostredí. Zabráňte tomu, aby sa zariadenie dostalo do vlhkého prostredia.
- ◆ Neponárajte toto zariadenie do vody.
- ◆ Nepokúšajte sa toto zariadenie rozoberať. Vnútri prístroja sa nenachádzajú žiadne diely, ktoré môžu užívatelia opraviť sami.
- ◆ Nepracujte s týmto náradím vo výbušných priestoroch, ako sú napríklad priestory s výskytom horľavých kvapalín, plynov alebo prašných látok.

- ◆ Ak chcete znížiť riziko poškodenia zástrčky a prírodného kábla, nikdy neťahajte za kábel, aby ste vytiahli zástrčku zo zásuvky.

## Bezpečnosť ostatných osôb

- ◆ Tento prístroj nie je určený na použitie osobami (vrátane detí) so zníženými fyzickými, zmyslovými alebo duševnými schopnosťami, alebo s nedostatkom skúseností a znalostí, pokiaľ tieto osoby nepracujú pod dohľadom, alebo pokiaľ im neboli poskytnuté inštrukcie týkajúce sa použitia prístroja osobou zodpovednou za ich bezpečnosť.
- ◆ Deti musia byť pod dozorom, aby sa s náradím nehrali.

## Po použití

- ◆ Ak sa zariadenie nepoužíva, malo by sa uložiť na suchom a dobre vyvetranom mieste, mimo dosahu detí.
- ◆ K uloženému prístroju nesmú mať prístup deti.
- ◆ Ak je prístroj uložený alebo prepravovaný v aute, mal by byť umiestnený v batožinovom priestore a mal by byť zaistený tak, aby pri náhlych zmenách rýchlosti alebo smeru jazdy nedochádzalo k jeho pohybu.

## Prehliadky a opravy

- ◆ Vždy pred použitím skontrolujte, či nie je zariadenie poškodené alebo či nemá chýbné časti. Skontrolujte, či nie sú jeho časti rozbité a či nie sú poškodené vypínače alebo iné diely, ktoré by mohli ovplyvniť jeho prevádzku.
- ◆ Ak je akákoľvek časť zariadenia poškodená, nepoužívajte ju.
- ◆ Opravu alebo výmenu všetkých poškodených alebo nefunkčných častí náradia zverte autorizovanému servisu.
- ◆ Nikdy sa nepokúšajte demontovať alebo vymeniť iné diely než tie, ktoré sú uvedené v tomto návode.

## Použitie predlžovacieho kábla

Vždy používajte schválený typ predlžovacieho kábla, ktorý je vhodný pre príkon tohto náradia (viď technické údaje). Predlžovací kábel musí byť vhodný na vonkajšie použitie a musí byť tiež tak označený. Môže sa použiť predlžovací kábel HO5VV-F s dĺžkou až 30 m a s prierezom vodiča 1,5 mm<sup>2</sup>, bez toho, aby dochádzalo k výkonovým stratám pri práci s týmto náradím. Pred použitím predlžovacieho kábla riadne prehliadnite, či nie je poškodený alebo opotrebovaný. Ak je tento kábel poškodený, vymeňte ho. V prípade použitia navinovacího kábla vždy odviňte celú dĺžku kábla.

## Doplňujúce bezpečnostné pokyny pre strunové kosačky

**Varovanie!** Po vypnutí motora sa bude struna kosačky ešte chvíľu otáčať.

- ♦ Zoznámte sa riadne s ovládaním a správnym použitím náradia.
- ♦ Pred použitím prírodný kábel riadne prezrite, či nie je poškodený alebo opotrebovaný. Ak dôjde počas práce k poškodeniu prírodného kábla, okamžite náradie vypnite a odpojte od elektrickej zásuvky. **NEDOTÝKAJTE SA PRÍRODNÉHO KÁBLA PRED TÝM, NEŽ BUDE ODPOJENÝ.**
- ♦ Pokiaľ je prírodný kábel poškodený alebo opotrebovaný, náradie nepoužívajte.
- ♦ Obujte si pevné topánky alebo čižmy, aby boli Vaše chodidlá chránené.
- ♦ Oblečte si dlhé nohavice, aby boli chránené Vaše nohy.
- ♦ Pred použitím náradie skontrolujte, či je priestor, v ktorom budete kosiť zbavený vetvičiek, kameňov, drôtov a akýchkoľvek iných prekážok.
- ♦ Používajte náradie iba vo zvislej polohe so sekacou strunou tesne nad zemou. Nikdy nezapínajte náradie v inej polohe.
- ♦ Pri práci s náradím sa pohybujte pomaly. Uvedomte si, že je čerstvo nakosená tráva klzká a vlhká.
- ♦ Nepracujte na príkrych svahoch. Na svahoch pracujte po vrstevniciach, nikdy nie smerom hore a dole.
- ♦ Ak je náradie v chode, nikdy neprechádzajte cez štrkové chodníky alebo cesty.
- ♦ Nikdy sa nedotýkajte struny, pokiaľ je zariadenie v chode.
- ♦ Nekladte náradie na zem, pokiaľ sa struna úplne nezastaví.
- ♦ Používajte zodpovedajúci typ reznej struny. Nikdy nepoužívajte kovové rezacie lanko alebo rybársky vlasec.
- ♦ Dajte pozor, aby ste sa nedotkli rezného ostria struny.
- ♦ Dávajte pozor, aby sa kábel nedostal do oblasti reznej struny. Stále sledujte polohu prírodného kábla.
- ♦ Ruky a nohy držte trvale mimo dosahu struny, a to najmä pri zapínaní motora.
- ♦ Pred použitím náradia a po každom náreze náradie skontrolujte, či nedošlo k jeho poškodeniu a či nie je nutné vykonať opravu.
- ♦ Nikdy nepoužívajte náradie s poškodenými krytmi alebo náradie bez riadne nasadených krytov.

- ♦ Dávajte pozor, aby ste sa nezranili o zariadenie, ktoré upravuje dĺžku struny. Po vysunutí novej struny náradie pred zapnutím vždy nastavte do jeho obvyklej pracovnej polohy.
- ♦ Zaisťujte, aby boli vetracie drážky na náradí stále čisté a priechodné.
- ♦ Pokiaľ je prírodný kábel poškodený alebo opotrebovaný, strunovú kosačku nepoužívajte.
- ♦ Dbajte na to, aby sa predlžovací kábel nedostal do blízkosti struny.

## Značky na náradí

Na náradí je možné nájsť nasledujúce varovné symboly:



Pred začatím obsluhy si starostlivo preštudujte tento návod.



Pri práci s týmto náradím používajte ochranné okuliare.



Udržujte osoby a domáce zvieratá vo vzdialenosti aspoň 6 m od kosenej plochy.



Zariadenie nevystavujte dažďu alebo prostrediu s vysokou vlhkosťou.

## Elektrická bezpečnosť



Toto náradie je chránené dvojitoú izoláciou. Preto nie je nutné použitie uzemňovacieho vodiča. Vždy skontrolujte, či napätie zdroja zodpovedá napätiu na výkonovom štítku.

- ♦ Ak dôjde k poškodeniu prírodného kábla, musí sa vymeniť výrobcom alebo v autorizovanom servise Black & Decker, aby sa zabránilo spôsobeniu úrazu elektrickým prúdom.

## Popis

Toto náradie sa skladá z niektorých alebo so všetkých nasledujúcich častí.

1. Hlavný vypínač
2. Rukoväť
3. Držiak kábla
4. Prívod napájania
5. Prídavná rukoväť
6. Nastavovacie tlačidlo
7. Trubica
8. Kryt
9. Rezné ostrie
10. Puzdro cievky
11. Struna
12. Vodidlo

## Montáž

**Varovanie!** Pred montážou sa uistite, či je náradie vypnuté a či je prírodný kábel odpojený od zásuvky.

### Nasadenie ochranného krytu (obr. A)

- ◆ Odstráňte skrutky s hlavou s vnútorným šesťhranom (13) z hlavy (14).
- ◆ Nasadte kryt (8) na náradie podľa postupu uvedenom na obrázku.
- ◆ Kryt ľahko pritlačte, aby došlo k jeho zacvaknutiu.
- ◆ Pripevnite kryt pomocou skrutiek s hlavou s vnútorným šesťhranom.
- ◆ Uťahnite skrutky pomocou kľúča (15) na skrutky s hlavou s vnútorným šesťhranom.

**Varovanie!** Nikdy nepoužívajte náradie bez riadne nasadeného krytu.

### Uvoľnenie struny

Počas prepravy je rezacia struna k cievke prichytená páskou.

- ◆ Odstráňte pásku, ktorá pripevňuje strunu (11) k puzdru cievky (10).

### Pripojenie kosačky k sieti

- ◆ Pripojte koncovku vhodného prírodného kábla k prívodu napájania (4).
- ◆ Zaveste prírodný kábel na držiak kábla (3).
- ◆ Sieťovú zástrčku zasunite do sieťovej zásuvky.

**Varovanie!** Predlžovací kábel musí byť vhodný na vonkajšie použitie.

### Ostatné riziká

Ak sa používa náradie, ktoré nie je popísané v priložených bezpečnostných varovaniach, môžu sa objaviť dodatočné zbytkové riziká. Tieto riziká môžu vzniknúť v dôsledku nesprávneho použitia, dlhodobého použitia atď. Napriek tomu, že sa dodržiavajú príslušné bezpečnostné predpisy a používajú sa bezpečnostné zariadenia, nemôžu sa vylúčiť isté zbytkové riziká. Tieto riziká sú nasledujúce:

- ◆ **Riziko zranenia spôsobeného kontaktom s akoukoľvek rotujúcou alebo pohybujúcou sa časťou.**
- ◆ **Riziko zranenia spôsobeného pri výmene dielov, pracovného nástroja alebo príslušenstva.**
- ◆ **Riziko fyzického zranenia z dôvodu dlhodobého používania. Ak používate akékoľvek náradie dlhšiu dobu, zaistite, aby sa robili pravidelné prestávky.**
- ◆ **Poškodenie sluchu.**

- ◆ **Zdravotné riziká spôsobené vdychovaním prachu vytváraného pri použití náradia (príklad: práca s drevom, zvlášť s dubovým, bukovým a MDF.)**

## Použitie

**Varovanie!** Nechajte náradie pracovať vlastným tempom. Zamedzte preťažovaniu náradia.

### Nastavenie režimu kosenia alebo zarezávania krajov (obr. B - D)

Náradie je možné prevádzkovať v režime kosenia, ako je znázornené na obr. B alebo v režime zarezávania krajov, na odstránenie zbytkov trávy pri okraji trávnikov a kvetinových záhonov, ako je znázornené na obr. C.

### Režim kosenia (obr. B a D)

Pri kosení by mala byť hlava kosačky v polohe, ktorá je uvedená na obr. B. Ak to tak nie je:

- ◆ Stlačte nastavovacie tlačidlo (6).
- ◆ Otáčajte trubicou (7), zatiaľ čo uvoľníte tlačidlo.
- ◆ Keď sa hlava dostane do požadovanej polohy, tlačidlo zaskočí.

**Poznámka:** Trubicou je možné otáčať iba jedným smerom.

### Režim kosenia okrajov (obr. C a D)

Na kosenie okrajov trávnikov by mala byť hlava kosačky v polohe, ktorá je zobrazená na obr. C.

Ak to tak nie je:

- ◆ Stlačte nastavovacie tlačidlo (6).
- ◆ Otáčajte trubicou (7), zatiaľ čo uvoľníte tlačidlo.
- ◆ Keď sa hlava dostane do požadovanej polohy, tlačidlo zaskočí.

**Poznámka:** Trubicou je možné otáčať iba jedným smerom.

### Nastavenie dĺžky kosačky (obr. D)

Táto kosačka je vybavená teleskopickým mechanizmom, ktorý umožňuje nastavenie pohodlnej dĺžky náradia. K dispozícii sú tri možnosti nastavenia dĺžky.

Dĺžku náradia upravíte nasledovne:

- ◆ Stlačte nastavovacie tlačidlo (6).
- ◆ Pomaly vyťahujte trubicu (7) zo skrine motora (16) na požadovanú dĺžku, zatiaľ čo uvoľníte tlačidlo.
- ◆ Akonáhle sa trubica vysunie na požadovanú dĺžku, tlačidlo zaskočí.

### Zapnutie a vypnutie

- ◆ Ak chcete náradie zapnúť, stlačte hlavný vypínač (1).
- ◆ Ak chcete náradie vypnúť, uvoľníte vypínač.

**Varovanie!** Nikdy sa nepokúšajte zaistiť vypínač v zapnutej polohe.

## Užitočné rady pre prácu s náradím

### Všeobecne

- ♦ Ak chcete dosiahnuť optimálne výsledky, koste iba suchú trávu.

### Kosenie trávnatých plôch

- ♦ Držte náradie ako na obr. B.
- ♦ Ľahko presúvajte kosačku z jednej strany na druhú.
- ♦ Ak kosíte vysokú trávu, pracujte po častiach zhora nadol. Trávu koste po krátkych kúskoch.
- ♦ Udržujte náradie mimo dosah tvrdých predmetov a iných porastov.
- ♦ Ak náradie spomalí chod, znížte jeho zaťaženie.

### Kosenie okrajov trávnikov

Optimálne výsledky pri kosení okrajov trávnikov sa dosiahnu na okrajoch, ktoré sú hlbšie než 50 mm.

- ♦ Nepoužívajte náradie na vytváranie lemov. Na vytváranie hrán používajte rycie náradie.
- ♦ Držte náradie ako na obr. C.
- ♦ Pri kosení tesne nad zemou náradie zľahka nakloňte.

### Montáž novej cievky so strunou (obr. E a G)

Náhradné cievky so strunou získate u autorizovaného predajcu Black & Decker (kat. č. A6495).

- ♦ Držte stlačené výstupky (17) a vyberte z puzdra (10) kryt cievky (18).
- ♦ Vyberte z puzdra prázdnu cievku (19).
- ♦ Z uzáveru cievky a krytu odstráňte zachytené nečistoty a zvyšky trávy.
- ♦ Na výstupok v puzdre cievky umiestnite novú cievku tak, aby boli výstupky v drážkach (23) (obr. F).
- ♦ Preveďte konce struny príslušnými otvormi (20) v puzdre (10). Ťahajte za voľnú strunu, pokiaľ nebude vytiahnutá z drážok (23) (obr. G).
- ♦ Zarovnajcie výstupky (17) na kryte cievky s výrezmi na puzdre (21).
- ♦ Zatlačte kryt (18) na puzdro cievky (10) tak, aby došlo k jeho riadnemu usadeniu.

**Poznámka:** Uistite sa, že je kryt riadne usadený. Musíte počuť dve kliknutia, ktoré budú znamenať, že došlo k správne usadeniu oboch výstupkov (17).

**Varovanie!** Ak bude struna vyčnievať cez odrezávací nôž (9), odrežte ju tak, aby zasahovala iba k ostriu odrezávacieho noža struny.

### Navinutie novej struny na prázdnu cievku (obr. H - J)

Na prázdnu cievku môžete navinúť novú rezaciu strunu.

Náhradné balíčky so strunou získate u autorizovaného predajcu Black & Decker (kat. č. A6171).

- ♦ Vyššie popísaným spôsobom vyberte prázdnu cievku z náradia.
- ♦ Z cievky odmotajte zvyšok struny.
- ♦ Najprv naviňte novú strunu na vrchnú časť cievky:
  - Zložte 2 cm struny do jednej zo štrbín v hornej časti cievky podľa obrázku.
  - Naviňte strunu na cievku v smere vyznačenom šípkou. Dajte pozor, aby bola struna navinutá na cievku úhľadne vo vrstvách. Neprekrižujte ju.
  - Pokiaľ navíjaná struna dosiahne po výrezy (22), odstráňte ju.
  - Uložte strunu dočasne v zárezoch (23) na jednej strane cievky tak, ako je znázornené na obrázku.
- ♦ Opakujte vyššie popísaný postup pre druhú strunu v spodnej časti cievky. Strunu zaistíte vo voľných zárezoch (23).
- ♦ Pri montáži cievky do náradia postupujte podľa vyššie uvedených krokov. Nezapodíajte uvoľniť strunu zo zárezov (23).

**Varovanie!** Používajte iba vhodnú strunu Black & Decker. Zaistite, aby bola struna v oboch častiach cievky.

### Riešenie problémov

Ak Vaše náradie nepracuje správne, postupujte podľa krokov uvedených ďalej. Ak nebude porucha odstránená, spojte sa s Vaším servisným zástupcom Black & Decker.

**Varovanie!** Pred tým, ako budete pokračovať, odpojte náradie od elektrickej siete.

### Náradie pracuje v nízkych otáčkach

- ♦ Skontrolujte, či sa puzdro cievky voľne otáča. Ak to je nutné, opatrne ho očistite.
- ♦ Skontrolujte, či struna nevyčnieva z puzdra cievky viac než 11 cm. Pokiaľ áno, zrežte ju tak, aby dosahovala len k ostriu odrezávacieho noža struny.

**Automatický posuv struny nepracuje**

- ♦ Držte stlačené výstupky na kryte cievky a vyberte z puzdra kryt cievky.
- ♦ Povyťahnite strunu tak, aby vyčnievala z puzdra cievky zhruba 11 cm. Pokiaľ už nie je dostačujúca dĺžka struny k dispozícii, vložte podľa vyššie uvedených pokynov do náradia novú cievku so strunou.
- ♦ Zarovnajte výstupky na kryte cievky s výrezmi na puzdre.
- ♦ Zatlačte kryt na puzdro cievky tak, aby došlo k jeho riadnemu usadeniu.
- ♦ Ak prečnieva struna cez odrezávací nôž, skráťte ju tak, aby sa tohto noža iba dotýkala.

Ak automatický posuv struny stále nepracuje alebo ak je cievka zablokovaná, skúste nasledujúce:

- ♦ Starostlivo očistite puzdro a kryt cievky.
- ♦ Vyberte cievku a skontrolujte, či sa páčky môžu voľne pohybovať.
- ♦ Vyberte cievku a odviňte celú dĺžku struny. Potom ju podľa vyššie uvedeného postupu správne naviňte na cievku. Vložte cievku späť podľa vyššie uvedeného postupu.

**Údržba**

Váš výrobok Black & Decker napájaný akumulátorom / prírodným káblom bol navrhnutý tak, aby mal dlhú životnosť spoločne s minimálnymi nárokmi na údržbu. Pravidelná starostlivosť o náradie a jeho pravidelné čistenie Vám zaisťujú jeho bezproblémovú prevádzku.

**Varovanie!** Pred začiatkom akejkoľvek údržby tohto prístroja berte na vedomie nasledovné upozornenia.

- ♦ Vypnite náradie a odpojte prírodný kábel od siete.
- ♦ Alebo v prípade, ak je prístroj vybavený snímateľným akumulátorom, vypnite ho a vyberte akumulátor.
- ♦ Alebo ak sa nedá akumulátor z náradia vybrať, nechajte náradie v chode, pokiaľ nedôjde k jeho úplnému vybitiu a potom náradie vypnite.
- ♦ Pred čistením vždy odpojte nabíjačku zo siete. Vaša nabíjačka nevyžaduje žiadnu údržbu okrem pravidelného čistenia.
- ♦ Vetracie otvory Vášho prístroja pravidelne čistite mäkkou kefkou alebo suchou handričkou.
- ♦ Pomocou vlhkej handričky pravidelne čistite kryt motora. Nepoužívajte žiadne brúsne alebo rozpúšťacie čistiace prostriedky.

- ♦ Pravidelne čistite skľučovadlo tak, že ho otvoríte a poklepaním z neho odstránite všetky nečistoty (ak je súčasťou výbavy).

**Ochrana životného prostredia**

Triedte odpad. Tento prístroj nesmie byť vyhodený do bežného domáceho odpadu.

Ak nebudete prístroj ďalej používať alebo ak chcete prístroj vymeniť za nový, nelikvidujte ho spolu s bežným komunálnym odpadom. Zlikvidujte tento výrobok v triedenom odpade.



Triedený odpad umožňuje recykláciu a opätovné využitie použitých výrobkov a obalových materiálov. Opätovné použitie recyklovaných materiálov pomáha chrániť životné prostredie pred znečistením a znižuje spotrebu surovín.

Miestne zberne odpadov, recyklačné stanice alebo predajne Vám poskytnú informácie o správnej likvidácii elektro odpadov z domácnosti.

Firma Black & Decker poskytuje službu bezplatnej recyklácie výrobkov Black & Decker a akumulátorov po skončení ich životnosti. Ak chcete získať výhody tejto služby, odovzdajte prosím Vaše náradie akémukoľvek autorizovanému zástupcovi servisu, ktorý náradie odoberie a zaisťuje jeho recykláciu.

Miesto Vášho najbližšieho autorizovaného servisu Black & Decker sa dozviete na adrese uvedenej na zadnej strane tohto návodu. Zoznam servisných stredísk Black & Decker a podrobnosti o popredajnom servise nájdete taktiež na internetovej adrese: [www.2helpU.com](http://www.2helpU.com)

**Technické údaje**

|                  |                   | GL701   | GL710   | GL716   |
|------------------|-------------------|---------|---------|---------|
|                  |                   | TYP 3-5 | TYP 3-5 | TYP 3-5 |
| Vstupné napätie  | V                 | 230     | 230     | 230     |
| Príkon           | W                 | 550     | 520     | 580     |
| Otáčky naprázdno | min <sup>-1</sup> | 6 500   | 6 500   | 6 500   |
| Hmotnosť         | kg                | 3,2     | 3,2     | 3,2     |

|                  |                   | GL720   | GL741   |
|------------------|-------------------|---------|---------|
|                  |                   | TYP 3-5 | TYP 3-5 |
| Vstupné napätie  | V                 | 230     | 230     |
| Príkon           | W                 | 600     | 700     |
| Otáčky naprázdno | min <sup>-1</sup> | 6 500   | 6 500   |
| Hmotnosť         | kg                | 3,2     | 3,2     |



Vibrácie prenášané na obsluhu merané podľa normy EN 786: = 7,5 m/s<sup>2</sup>, odchýlka (K) = 1,5 m/s<sup>2</sup>

**ES Vyhlásenie o zhode v rámci EÚ**  
SMERNICE PRE STROJOVÉ ZARIADENIA  
NARIADENIE TÝKAJÚCE SA VONKAJŠIEHO  
HLUKU



**GL701/GL710/GL716/GL720/GL741**

Spoločnosť Black & Decker vyhlasuje, že tieto produkty popisované v technických údajoch spĺňajú požiadavky nasledujúcich noriem: 98/37/EC (do 28. decembra 2009), 2006/42/ES (od 29. decembra 2009), EN 60335-1, EN 60335-2-91.

2000/14/EC, kosačka trávy L ≤ 50 cm, príloha VIII  
KEMA Quality B.V., Utrechtseweg 310, 6802 ED  
Arnhem, The Netherlands  
Úradne stanovený orgán ID č.: 0344

Hladina akustického tlaku podľa normy  
EN 2000/14/EC

(Článok 12, príloha III, L ≤ 50 cm):

L<sub>WA</sub> (meraná hodnota akustického výkonu)  
95 dB(A), Odchýlka (K) = 3 dB(A)

L<sub>WA</sub> (zaručená hodnota akustického výkonu)  
96 dB(A), Odchýlka (K) = 3 dB(A)

Tieto výrobky tiež vyhovujú norme 2004/108/EC. Ďalšie informácie Vám poskytne zástupca spoločnosti Black & Decker na nasledujúcej adrese alebo na adresách, ktoré sú uvedené na zadnej strane tohto návodu.

Nižšie podpísaná osoba je zodpovedná za zostavenie technických údajov a vydáva toto vyhlásenie v zastúpení spoločnosti Black & Decker.

Kevin Hewitt  
Viceprezident  
pre spotrebiteľskú techniku  
Black & Decker Europe,  
210 Bath Road, Slough,  
Berkshire, SL1 3YD  
United Kingdom  
1. 10. 2009

Aplikačné číslo patentu pre UK: 059745.6

Aplikačné čísla konštrukcie pre EÚ: 340385-0001  
a 339544-0001

## Záruka

Spoločnosť Black & Decker je presvedčená o kvalite svojich výrobkov a ponúka mimoriadnu záruku. Touto zárukou získavate ďalšiu istotu. Tento prísľub záruky nemá vplyv na zákonné nároky na záruku, ani ich v žiadnom prípade neobmedzuje. Táto záruka platí vo všetkých členských štátoch EÚ a Európskej Zóne Voľného Obchodu EFTA.

Ak sa objavia na výrobku Black & Decker, v priebehu 24 mesiacov od zakúpenia, akékoľvek materiálové či výrobné vady, garantujeme v snahe o minimalizovanie Vašich starostí bezplatnú výmenu chybných dielov, opravu alebo výmenu celého výrobku za nižšie uvedených podmienok:

- ◆ Výrobok sa nepoužíval na obchodné alebo profesionálne účely a nedochádzalo k jeho prenájomu.
- ◆ Výrobok nebol vystavený nesprávnemu použitiu a nebola zanedbaná jeho predpísaná údržba.
- ◆ Výrobok nebol poškodený cudzím zavinením.
- ◆ Opravy nerobili iné osoby, než autorizovaní opravári alebo mechanici autorizovaného servisu Black & Decker.

Ak požadujete reklamáciu, budete musieť predajcovi alebo autorizovanému servisu predložiť doklad o zakúpení výrobku. Miesto Vášho najbližšieho autorizovaného servisu Black & Decker sa dozviete na adrese uvedenej na zadnej strane tohto návodu. Zoznam servisných stredísk Black & Decker a podrobnosti o popredajnom servise nájdete taktiež na internetovej adrese: **www.2helpU.com**

Navštívte prosím našu webovú stránku **www.blackanddecker.sk**, kde môžete zaregistrovať Váš nový výrobok Black & Decker a kde nájdete všetky informácie o nových výrobkoch a špeciálne ponuky. Ďalšie informácie o značke Black & Decker a o celom rade našich ďalších výrobkov nájdete na adrese **www.blackanddecker.sk**.

## Назначение

Ваша cordовая газонокосилка Black & Decker предназначена для скашивания травы, обработки краев газона, а также для стрижки травы в труднодоступных местах. Данный инструмент предназначен только для бытового использования.

## Инструкции по технике

### Безопасности

**Внимание!** При использовании электрических инструментов соблюдение правил по технике безопасности и следование данным инструкциям позволит снизить вероятность возникновения пожара, поражения электрическим током, получения травм и повреждения личного имущества.

- ◆ Перед использованием инструмента внимательно прочтите данное руководство по эксплуатации.
- ◆ Назначение устройства описывается в данном руководстве по эксплуатации. Использование любых принадлежностей или приспособлений, а также выполнение данным инструментом любых видов работ, не рекомендованных данным руководством по эксплуатации, может привести к несчастному случаю.
- ◆ Сохраните данное руководство для последующего обращения к нему.

### Использование инструмента

Всегда соблюдайте осторожность при работе с данным инструментом.

- ◆ Всегда работайте в защитных очках или маске.
- ◆ Не допускайте детей и любых лиц, не знакомых с данным правилами техники безопасности, к работе электроинструментом.
- ◆ Не позволяйте детям или животным находиться в рабочей зоне, дотрагиваться до инструмента или до электрического кабеля.
- ◆ Будьте особенно внимательны при использовании электроинструмента в присутствии детей.
- ◆ Использование инструмента детьми и неопытными лицами допускается только под контролем ответственного за их безопасность лица.
- ◆ Не используйте данный электроинструмент в качестве игрушки.

- ◆ Используйте данный электроинструмент только при дневном свете или при ярком искусственном освещении.
- ◆ Используйте электроинструмент только в сухих местах. Не подвергайте электроинструмент воздействию влаги.
- ◆ Не погружайте инструмент в воду.
- ◆ Не разбирайте корпус электроинструмента. Внутри нет обслуживаемых пользователем деталей.
- ◆ Не используйте инструмент, если есть опасность возгорания или взрыва, например, вблизи легко воспламеняющихся жидкостей, газов или пыли.
- ◆ Во избежание риска повреждения штепселей и электрических кабелей, никогда не тяните за кабель, чтобы отключить инструмент от штепсельной розетки.

### Безопасность посторонних лиц

- ◆ Использование инструмента физически или умственно неполноценными людьми, а также детьми и неопытными лицами допускается только под контролем ответственного за их безопасность лица.
- ◆ Не позволяйте детям играть с электроинструментом.

### После использования

- ◆ Храните не используемый инструмент в сухом, хорошо вентилируемом месте, недоступном для детей.
- ◆ Дети не должны иметь доступ к убранному на хранение инструментам.
- ◆ Во время хранения или перевозки инструмента в автомобиле, помещайте его в багажник или закрепляйте, чтобы исключить его перемещение при резком изменении скорости или направления движения.

### Осмотр и ремонт

- ◆ Перед началом эксплуатации, всегда проверяйте исправность инструмента. Проверьте целостность деталей и любых других элементов электроинструмента, воздействующих на его работу.
- ◆ Не используйте инструмент, если повреждена или неисправна какая-либо его деталь.
- ◆ Ремонтируйте или заменяйте поврежденные или неисправные детали только в авторизованном сервисном центре Black & Decker.

- ◆ Ни в коем случае не снимайте и не заменяйте детали, за исключением деталей, указанных в данном руководстве по эксплуатации.

### Использование удлинительного кабеля

Всегда используйте удлинительные кабели установленного образца, соответствующие входной мощности данного электроинструмента (см. раздел «Технические характеристики»). Удлинительный кабель должен быть пригоден для использования на открытом воздухе и иметь соответствующую маркировку. Использование удлинительного кабеля HO5VV-F длиной до 30 м и диаметром в поперечном сечении 1,5 мм<sup>2</sup> не снизит производительность электроинструмента.

Перед использованием проверьте удлинительный кабель на наличие признаков повреждения, старения и износа. В случае обнаружения повреждений удлинительный кабель подлежит замене. При использовании кабельного барабана, всегда полностью разматывайте кабель.

### Дополнительные правила безопасности при работе газонокосилками

**Внимание!** После выключения электродвигателя, режущий механизм некоторое время вращается по инерции.

- ◆ Изучите все средства управления инструментом и используйте его по назначению.
- ◆ Перед использованием инструмента внимательно проверьте сетевой и удлинительный кабели на отсутствие повреждений и старения и износа. В случае повреждения кабеля во время работы, немедленно выньте его вилку из штепсельной розетки. **НЕ ПРИКАСАЙТЕСЬ К КАБЕЛЮ, ПОКА ОН НЕ БУДЕТ ОТСОЕДИНЕН ОТ ЭЛЕКТРОСЕТИ.**
- ◆ Не используйте инструмент, если его кабели повреждены или изношены.
- ◆ Используйте для защиты Ваших ног крепкие, нескользящие ботинки или сапоги.
- ◆ Надевайте длинные брюки для защиты Ваших ног.
- ◆ Перед началом работы убедитесь, что в рабочей зоне нет палок, камней, проволоки и других предметов.
- ◆ Используйте газонокосилку только в вертикальном положении, с режущей леской возле поверхности земли. Ни в коем

случае не включайте газонокосилку, если она находится в любом другом положении!

- ◆ Передвигайтесь во время работы с газонокосилкой только в медленном темпе. Помните, что свежескошенная трава влажная и скользкая.
- ◆ Не работайте на крутых склонах. Стригите траву поперек уклона, ни в коем случае не сверху вниз!
- ◆ Ни в коем случае не пересекайте гравийные тропинки и дорожки при работающей газонокосилке!
- ◆ Ни в коем случае не касайтесь режущей лески при работающей газонокосилке!
- ◆ Не кладите на землю газонокосилку до момента, пока режущая леска полностью не остановится.
- ◆ Используйте режущую леску, рекомендованную изготовителем газонокосилки. Ни в коем случае не используйте металлические режущие нити или рыболовную леску!
- ◆ Будьте внимательны, чтобы случайно не коснуться отсекаателя режущей лески!
- ◆ Направляйте электрический кабель в сторону от режущей лески. Постоянно следите за положением кабеля.
- ◆ Следите, чтобы Ваши руки и ноги постоянно находились на безопасном расстоянии от режущего механизма, особенно при включении электродвигателя.
- ◆ Перед использованием инструмента и по окончании работы проверяйте его на наличие признаков старения или повреждений; в случае необходимости сдайте инструмент в ремонт.
- ◆ Ни в коем случае не используйте газонокосилку с поврежденными защитными кожухами, а также без установленных защитных кожухов.
- ◆ Будьте осторожны при работе с любыми инструментами, оснащенными режущей леской; невнимательность может привести к получению травмы. После того, как будет вытянута новая режущая леска, верните инструмент в его нормальное рабочее положение и только тогда включайте инструмент.
- ◆ Следите, чтобы вентиляционные прорези электродвигателя всегда оставались открытыми и чистыми.
- ◆ Не используйте газонокосилку, если кабели повреждены или изношены.
- ◆ Направляйте удлинительный кабель в сторону от режущего корда.

## Маркировка инструмента

На инструменте имеются следующие знаки:



Перед работой прочтите полностью данное руководство по эксплуатации.



При работе с данным электроинструментом наденьте защитные очки или маску.



Не подпускайте посторонних людей и животных к работающему электроинструменту ближе, чем на 6 м.



Не используйте инструмент под дождем или во влажной среде.

## Электробезопасность



Данный электроинструмент защищен двойной изоляцией, исключающей потребность в заземляющем проводе. Следите за напряжением электрической сети, оно должно соответствовать величине, обозначенной на информационной табличке электроинструмента.

- ♦ Во избежание несчастного случая, замена поврежденного кабеля питания должна производиться только на заводе-изготовителе или в авторизованном сервисном центре Black & Decker.

## Составные части

Ваш электроинструмент может содержать все или некоторые из перечисленных ниже составных частей:

1. Клавиша пускового выключателя
2. Основная рукоятка
3. Кабельный зажим
4. Соединительный элемент входа электропитания
5. Вспомогательная рукоятка
6. Клавиша фиксатора
7. Штанга
8. Защитный кожух
9. Отсекатель режущей лески
10. Корпус катушки
11. Режущая леска
12. Направляющий упор

## Сборка

**Внимание!** Перед началом сборки убедитесь, что электроинструмент выключен и отсоединен от электросети.

### Установка защитного кожуха (Рис. А)

- ♦ Отвинтите шестигранные винты (13) от головки (14).

- ♦ Установите защитный кожух (8) на инструмент, как показано на рисунке.
- ♦ Нажмите на защитный кожух до ощущаемой фиксации.
- ♦ Закрепите защитный кожух шестигранными винтами.
- ♦ Затяните с усилием винты входящим в комплект поставки торцовым шестигранным ключом (15).

**Внимание!** Используйте инструмент только с правильно установленным защитным кожухом.

## Подготовка режущей лески

При поставке режущая леска прикреплена к корпусу катушки клейкой лентой.

- ♦ Удалите клейкую ленту, которой режущая леска (11) прикреплена к корпусу катушки (10).

## Подключение инструмента к электросети

- ♦ Вставьте штепсельную розетку подходящего удлинительного кабеля в соединительный элемент (4) силового входа газонокосилки.
- ♦ Направьте удлинительный кабель через кабельный зажим (3).
- ♦ Вставьте вилку удлинительного кабеля в штепсельную розетку электросети.

**Внимание!** Удлинительный кабель должен быть пригоден для эксплуатации на открытом воздухе.

## Остаточные риски.

При работе с данным инструментом возможно возникновение дополнительных остаточных рисков, которые не вошли в описанные здесь правила техники безопасности. Эти риски могут возникнуть при неправильном или продолжительном использовании изделия и т.п. Несмотря на соблюдение соответствующих инструкций по технике безопасности и использование предохранительных устройств, некоторые остаточные риски невозможно полностью исключить. К ним относятся:

- ♦ Травмы в результате касания вращающихся/двигающихся частей инструмента.
- ♦ Риск получения травмы во время смены деталей электроинструмента, пильных дисков или насадок.
- ♦ Риск получения травмы, связанный с продолжительным использованием инструмента. При

использовании инструмента в течение продолжительного периода времени делайте регулярные перерывы в работе.

- ◆ Ухудшение слуха.
- ◆ Ущерб здоровью в результате вдыхания пыли при использовании электроинструмента (например: работа с древесиной, в особенности, с дубом, буком и ДВП).

## Эксплуатация

**Внимание!** Не форсируйте рабочий процесс. Избегайте перегрузки электроинструмента.

### Настройка газонокосилки на стрижку газона или выравнивание кромок (Рис. В - D)

Данную газонокосилку можно использовать для стрижки газона, как показано на Рис. В, а также для выравнивания кромок (обрезки выступающей травы вдоль кромок газона и цветочных клумб), как показано на Рис. С.

#### Режим стрижки (Рис. В и D)

При стрижке, головка газонокосилки должна находиться в положении, показанном на Рис. В. Если это не так, поступите следующим образом:

- ◆ Нажмите клавишу фиксатора (6).
- ◆ Поворачивайте штангу (7), отпустив клавишу фиксатора.
- ◆ Когда головка станет на свое место, работает фиксатор.

**Примечание:** Штанга может поворачиваться только в одну сторону.

#### Режим выравнивания кромок (Рис. С и D)

При выравнивании кромок головка газонокосилки должна находиться в положении, показанном на Рис. С. Если это не так, поступите следующим образом:

- ◆ Нажмите клавишу фиксатора (6).
- ◆ Поворачивайте штангу (7), отпустив клавишу фиксатора.
- ◆ Когда головка станет на свое место, работает фиксатор.

**Примечание:** Штанга может поворачиваться только в одну сторону.

### Регулирование высоты инструмента (Рис. D)

Данный инструмент оборудован телескопическим механизмом, позволяющим устанавливать удобную для Вас высоту. Предусмотрено три установки высоты. Для

регулирования высоты поступите следующим образом:

- ◆ Нажмите клавишу фиксатора (6).
- ◆ Осторожно вытягивайте штангу (7) из корпуса (16) электродвигателя на необходимую длину, отпустив клавишу фиксатора.
- ◆ Когда штанга вытянется на необходимую длину, сработает фиксатор.

### Включение и выключение

- ◆ Чтобы включить инструмент, нажмите на клавишу пускового выключателя (1).
- ◆ Чтобы выключить инструмент, отпустите клавишу пускового выключателя.

**Внимание!** Ни в коем случае не пытайтесь заблокировать клавишу пускового выключателя во включенном положении!

### Рекомендации по оптимальному использованию

#### Общие требования

Для достижения наилучших результатов, стригите только сухую траву.

#### Стрижка

- ◆ Держите газонокосилку, как показано на рис. В.
- ◆ Плавно ведите газонокосилку из стороны в сторону.
- ◆ Высокую траву стригите постепенно, небольшими слоями, начиная сверху. Делайте короткие резы.
- ◆ Избегайте контакта инструмента с твердыми предметами и нежными растениями.
- ◆ Если инструмент снизил темп работы, уменьшите нагрузку.

#### Выравнивание кромок

Наилучшие результаты достигаются при высоте кромок 50 и более миллиметров.

- ◆ Не используйте газонокосилку для формирования новых кромок. Для создания новых кромок используйте специально предназначенную для этого лопатку.
- ◆ Управляйте газонокосилкой, как показано на рис. С.
- ◆ Чтобы срезать траву как можно ближе к поверхности земли, немного наклоните инструмент.

### Установка новой катушки с режущей леской (Рис. Е и G)

Новые катушки с режущей леской можно

приобрести у Вашего дилера Black & Decker (№ для заказа А6495).

- ◆ Удерживая язычки (17) нажатыми, снимите крышку (18) с корпуса катушки (10).
- ◆ Извлеките пустую катушку (19) из корпуса.
- ◆ Удалите всю грязь и обрезки травы с крышки катушки и из корпуса.
- ◆ Возьмите новую катушку и наденьте ее на втулку внутри корпуса катушки, предварительно вытянув концы лески через отверстия (23) (Рис. F).
- ◆ Направьте концы лески в соответствующие проушины (20) на корпусе (10). Потяните за концы лески, вытягивая их из отверстий на катушке (23) (Рис G).
- ◆ Совместите язычки (17) на крышке катушки с вырезами (21) в корпусе.
- ◆ Надавите на крышку (18) и прижмите ее к корпусу (10), пока она не встанет на свое место.

**Примечание:** Убедитесь, что крышка плотно закрылась – 2 щелчка будут свидетельствовать о том, что оба язычка (17) расположены правильно.

**Внимание!** Если режущие лески выступают за отсекатель (9), укоротите лески, чтобы они доходили только до отсекателя.

### Наматывание новой режущей лески на пустую катушку (Рис. H - J)

Вы можете намотать на пустую катушку новую режущую леску. Мотки режущей лески можно приобрести у Вашего дилера Black & Decker (№ для заказа А6171).

- ◆ Извлеките пустую катушку из инструмента, как было описано выше.
- ◆ Удалите с катушки всю оставшуюся леску.
- ◆ Наматывайте новую режущую леску сначала на верхнюю часть катушки:
  - Направьте 2 см режущей лески в одно из отверстий в верхней части катушки, как показано на рисунке.
  - Наматывайте режущую леску на катушку в направлении указательной стрелки. Следите, чтобы режущая леска наматывалась ровными, аккуратными слоями. Не наматывайте леску крест-накрест!
  - По достижении намотанной леской выреза (22), обрежьте леску.
  - Временно закрепите режущую леску в прорезях (23) в боковой части катушки, как показано на рисунке.

- ◆ Повторите описанную выше процедуру для второй режущей лески на нижней части катушки. Закрепите леску в не использованных прорезях (23).
- ◆ Установите катушку на инструмент, как было описано выше. Не забудьте извлечь режущую леску из прорезей (23).

**Внимание!** Используйте только оригинальную режущую леску Black & Decker. Убедитесь, что режущая леска намотана на обе части катушки.

### Возможные неисправности и способы их устранения

В случае возникновения нарушений в работе инструмента, выполняйте приведенные ниже указания. Если неисправность своими силами устранить не удастся, обратитесь в авторизованный сервисный центр Black & Decker.

**Внимание!** Прежде чем приступить к устранению неисправностей, отключите инструмент от источника питания.

#### Газонокосилка работает медленно

- ◆ Убедитесь, что корпус катушки вращается свободно. При необходимости тщательно его очистите.
- ◆ Убедитесь, что длина выступающей из корпуса катушки режущей лески не превышает 11 см. При необходимости обрежьте ее, чтобы она доходила только до отсекателя.

#### Не работает автоматическая подача режущей лески

- ◆ Удерживая язычки нажатыми, снимите крышку с корпуса катушки.
- ◆ Вытяните режущую леску на 11 см из корпуса катушки. Если режущей лески на катушке недостаточно, вставьте новую катушку с леской, как описано выше.
- ◆ Совместите язычки крышки катушки с вырезами в корпусе.
- ◆ Надавите на крышку и прижмите ее к корпусу, пока она не встанет на свое место.
- ◆ Если режущая леска выступает за отсекатель, обрежьте леску, чтобы она доходила только до отсекателя.

Если автоматическая подача режущего корда все же не производится или заклинило катушку, попробуйте поступить следующим образом:

- ◆ Тщательно очистите крышку и корпус катушки.
- ◆ Извлеките катушку, и проверьте, может ли свободно двигаться рычаг.
- ◆ Извлеките катушку и размотайте режущую леску; затем снова аккуратно намотайте леску, как было описано выше. Установите катушку на свое место, как описано выше.

### Техническое обслуживание

Ваше электрический/аккумуляторной инструмент Black & Decker рассчитано на работу в течение продолжительного времени при минимальном техническом обслуживании. Срок службы и надежность инструмента увеличивается при правильном уходе и регулярной чистке.

**Внимание!** Перед проведением технического обслуживания электрического/аккумуляторного инструмента:

- ◆ Выключите инструмент/устройство и отключите его от источника питания.
- ◆ Или выключите инструмент/устройство и выньте из него аккумулятор, если инструмент/устройство оснащено съемным аккумулятором.
- ◆ В случае наличия встроенного аккумулятора, полностью разгрузите аккумулятор и выключите инструмент/устройство.
- ◆ Перед чисткой зарядного устройства отключите его от источника питания. Ваше зарядное устройство не требует никакого дополнительного технического обслуживания, кроме регулярной чистки.
- ◆ Регулярно очищайте вентиляционные отверстия инструмента/прибора/зарядного устройства мягкой щеткой или сухой тканью.
- ◆ Регулярно очищайте корпус двигателя влажной тканью. Не используйте абразивные чистящие средства, а также чистящие средства на основе растворителей.
- ◆ Регулярно раскрывайте патрон (при наличии) и вытряхивайте из него всю накопившуюся пыль.

### Защита окружающей среды



Раздельный сбор. Данное изделие нельзя утилизировать вместе с обычными бытовыми отходами.

Если однажды Вы захотите заменить Ваш электроинструмент Black & Decker или Вы больше в нем не нуждаетесь, не выбрасывайте его вместе с бытовыми отходами. Отнесите изделие в специальный приемный пункт.



Раздельный сбор изделий с истекшим сроком службы и их упаковок позволяет пускать их в переработку и повторно использовать.

Использование переработанных материалов помогает защищать окружающую среду от загрязнения и снижает расход сырьевых материалов.

Местное законодательство может обеспечить сбор старых электроинструментов отдельно от бытового мусора на муниципальных свалках отходов, или Вы можете сдавать их в торговом предприятии при покупке нового изделия.

Фирма Black & Decker обеспечивает прием и переработку отслуживших свой срок изделий Black & Decker. Чтобы воспользоваться этой услугой, Вы можете сдать Ваше изделие в любой авторизованный сервисный центр, который собирает их по нашему поручению.

Вы можете узнать место нахождения Вашего ближайшего авторизованного сервисного центра, обратившись в Ваш местный офис Black & Decker по адресу, указанному в данном руководстве по эксплуатации. Кроме того, список авторизованных сервисных центров Black & Decker и полную информацию о нашем послепродажном обслуживании и контактах Вы можете найти в интернете по адресу: [www.2helpU.com](http://www.2helpU.com)

### Технические характеристики

|                          | GL701        | GL710   | GL716   |
|--------------------------|--------------|---------|---------|
|                          | ТИП 3-5      | ТИП 3-5 | ТИП 3-5 |
| Напряжение питания       |              |         |         |
| В перем. тока            | 230          | 230     | 230     |
| Потребляемая мощность Вт | 550          | 520     | 580     |
| Число оборотов           |              |         |         |
| на х. х.                 | об/мин 6 500 | 6 500   | 6500    |
| Вес                      | кг 3,2       | 3,2     | 3,2     |

|                       | GL720<br>ТИП 3-5 | GL741<br>ТИП 3-5 |
|-----------------------|------------------|------------------|
| Напряжение питания    |                  |                  |
| В перем. тока         | 230              | 230              |
| Потребляемая мощность | Вт 600           | 700              |
| Число оборотов        |                  |                  |
| на х. х.              | об/мин 6 500     | 6 500            |
| Вес                   | кг 3,2           | 3,2              |

Измеренная вибрация на рукоятках  
в соответствии с EN 786: = 7,5 м/с<sup>2</sup>,  
Погрешность (К) = 1,5 м/с<sup>2</sup>

### Декларация соответствия ЕС

ДИРЕКТИВА ПО МЕХАНИЧЕСКОМУ  
ОБОРУДОВАНИЮ

ДИРЕКТИВА ПО ШУМАМ, ПРОИЗВОДИМЫМ  
ВНЕ ПОМЕЩЕНИЙ



#### GL701/GL710/GL716/GL720/GL741

Black & Decker заявляет, что продукты,  
обозначенные в разделе «Технические  
характеристики», полностью соответствуют  
стандартам: 98/37/ЕС (до 28 декабря 2009 г.),  
2006/42/ЕС (с 29 декабря 2009 г.), EN 60335-1,  
EN 60335-2-91.

2000/14/ЕС, Газонокосилка L ≤ 50 см,  
Приложение VIII

КЕМА Quality B.V., Utrechtseweg 310, 6802 ED  
Arnhem,

The Netherlands

Notified Body ID No.: 0344

Уровень акустической мощности, измеренный  
в соответствии с 2000/14/ЕС (Статья 12,  
Приложение III, L ≤ 50 см):

L<sub>WA</sub> (акустическая мощность) 95 дБ(А)

Погрешность (К) = 3 дБ(А)

L<sub>WA</sub> (гарантированная акустическая мощность)

96 дБ(А)

Погрешность (К) = 3 дБ(А)

Данные продукты также соответствуют  
Директиве 2004/108/ЕС. За дополнительной  
информацией обращайтесь по указанному  
ниже адресу или по адресу, указанному на  
последней странице руководства.

Нижеподписавшееся лицо полностью  
отвечает за соответствие технических данных  
и делает это заявление от имени фирмы  
Black & Decker.

Кевин Хьюитт  
(Kevin Hewitt)

Вице-президент

отдела мирового проектирования

Black & Decker Europe,

210 Bath Road, Slough,

Berkshire, SL1 3YD

United Kingdom

1-10-2009

Заявка на патент Великобритании №: 059745.6

Заявка на промышленный образец

ЕС:340385-0001 & 339544-0001



## БЛЭК ЭНД ДЕККЕР

### гарантийные условия

Уважаемый покупатель!

1. Поздравляем Вас с покупкой высококачественного изделия BLACK & DECKER и выражаем признательность за Ваш выбор.
- 1.1. Надежная работа данного изделия в течение всего срока эксплуатации - предмет особой заботы наших сервисных служб. В случае возникновения каких-либо проблем в процессе эксплуатации изделия рекомендуем Вам обращаться только в авторизованные сервисные организации, адреса и телефоны которых Вы сможете найти в Гарантийном талоне или узнать в магазине. Наши сервисные станции - это не только квалифицированный ремонт, но и широкий выбор запчастей и принадлежностей.
- 1.2. При покупке изделия требуйте проверки его комплектности и исправности в Вашем присутствии, инструкцию по эксплуатации и заполненный Гарантийный талон на русском языке. При отсутствии у Вас правильно заполненного Гарантийного талона мы будем вынуждены отклонить Ваши претензии по качеству данного изделия.
- 1.3. Во избежание недоразумений убедительно просим Вас перед началом работы с изделием внимательно ознакомиться с инструкцией по его эксплуатации.
- 1.4. Обращаем Ваше внимание на исключительно бытовое назначение данного изделия.
2. Правовой основой настоящих гарантийных условий является действующее Законодательство и, в частности, Закон "О защите прав потребителей".
3. Гарантийный срок на данное изделие составляет 24 месяца и исчисляется со дня продажи через розничную торговую сеть. В случае устранения недостатков изделия, гарантийный срок продлевается на период, в течение которого оно не использовалось.
4. Срок службы изделия - 5 лет (минимальный, установленный в соответствии с Законом "О защите прав потребителей").
5. Наши гарантийные обязательства распространяются только на неисправности, выявленные в течение гарантийного срока и обусловленные производственными и конструктивными факторами.
6. Гарантийные обязательства не распространяются:
  - 6.1. На неисправности изделия, возникшие в результате:
    - 6.1.1. Несоблюдения пользователем предписаний инструкции по эксплуатации изделия.
    - 6.1.2. Механического повреждения, вызванного внешним ударным или любым иным воздействием.

- 6.1.3. Использования изделия в профессиональных целях и объемах, в коммерческих целях.
- 6.1.4. Применения изделия не по назначению.
- 6.1.5. Стихийного бедствия.
- 6.1.6. Неблагоприятных атмосферных и иных внешних воздействий на изделие, таких как дождь, снег, повышенная влажность, нагрев, агрессивные среды, несоответствие параметров питающей электросети указанным на инструменте.
- 6.1.7. Использования принадлежностей, расходных материалов и запчастей, не рекомендованных или не одобренных производителем.
- 6.1.8. Проникновения внутрь изделия посторонних предметов, насекомых, материалов или веществ, не являющихся отходами, сопровождающими применением по назначению, такими как стружка опилки и пр. .
- 6.2. На инструменты, подвергавшиеся вскрытию, ремонту или модификации вне уполномоченной сервисной станции.
- 6.3. На принадлежности, запчасти, вышедшие из строя вследствие нормального износа, и расходные материалы, такие как приводные ремни, угольные щетки, аккумуляторные батареи, ножи, пилки, абразивы, пыльные диски, сверла, буры и т. п. .
- 6.4. На неисправности, возникшие в результате перегрузки инструмента, повлекшей выход из строя электродвигателя или других узлов и деталей. К безусловным признакам перегрузки изделия относятся, помимо прочих: появление цветов побежалости, деформация или оплавление деталей и узлов изделия, потемнение или обугливание изоляции проводов электродвигателя под воздействием высокой температуры.



ME 77



007

Блэк энд Деккер Гмбх  
Блэк энд Деккер Штрассе, 40  
65510 Идштайн, Германия

## Область застосування

Ваш тример виробництва компанії Black & Decker був розроблений для підрізання та надання красивого вигляду Вашому газону та для обрізання трави на важкодоступних ділянках. Цей інструмент призначений лише для побутового використання.

## Інструкції з техніки безпеки

**Попередження!** При використанні пристроїв з живленням від електричної мережі необхідно дотримуватись основних заходів безпеки, включаючи наступні, щоб знизити ризик виникнення пожежі, ураження електричним струмом, травм та матеріальних ушкоджень.

- ◆ Перед використанням пристрою уважно прочитайте все керівництво.
- ◆ Використання будь-яких аксесуарів чи додаткових інструментів, або виконання операцій з прибором, неописаних в цьому керівництві, може призвести до особистих травм.
- ◆ Зберігайте це керівництво для використання в майбутньому.

## Використання пристрою

Будьте уважні при використанні пристрою.

- ◆ Завжди використовуйте захисні окуляри.
- ◆ Ніколи не дозволяйте дітям та особам, які не знають всіх інструкцій, використовувати цей інструмент.
- ◆ Не дозволяйте дітям та тваринам знаходитись біля робочої зони та торкатись пристрою або шнурів живлення.
- ◆ Коли пристрій використовується біля місця, де знаходяться діти, необхідно бути дуже уважними та обережними.
- ◆ Цей пристрій не призначений для використання молодими та хворими людьми без нагляду.
- ◆ Цей інструмент не можна використовувати в якості іграшки.
- ◆ Використовуйте цей пристрій лише за умови яскравого денного світла або доброго штучного освітлення.
- ◆ Використовуйте лише в сухому місці. Не дозволяйте, щоб пристрій був вологим.
- ◆ Не занурюйте пристрій у воду.
- ◆ Не відкривайте корпус. Всередині відсутні деталі, які користувач може обслуговувати самостійно.
- ◆ Не використовуйте пристрій у вибухонебезпечній атмосфері, наприклад, в присутності вогнебезпечних рідин, газів та пилу.

- ◆ Щоб знизити ризик пошкодження вилок та шнурів, ніколи не тягніть за кабелі, щоб витягнути вилку з розетки.

## Безпека сторонніх людей

- ◆ Цей пристрій не призначений для використання людьми (включаючи дітей) із зниженими фізичними, сенсорними або розумовими можливостями, або відсутністю досвіду та знань, за винятком випадків, коли вони працюють під наглядом або отримали інструкції з використання пристрою від людини, яка відповідає за їх безпеку.
- ◆ Діти повинні знаходитись під контролем, щоб гарантувати, що вони не будуть грати з пристроєм.

## Після використання

- ◆ Коли пристрій не використовується, його необхідно зберігати в сухому, добре провітрюваному та недоступному для дітей місці.
- ◆ Пристрій необхідно зберігати в недоступному для дітей місці.
- ◆ Якщо пристрій зберігається або транспортується в автомобілі, його необхідно покласти у багажне відділення або закріпити, щоб він не рухався при різких змінах швидкості та напрямку.

## Перевірка та ремонт

- ◆ Перевірте наявність пошкоджених деталей та інших умов, що можуть вплинути на роботу.
- ◆ Не використовуйте пристрій, якщо якась його деталь пошкоджена або має брак.
- ◆ Пошкоджені або браковані деталі необхідно надавати для ремонту або заміни в офіційні сервісні центри.
- ◆ Ніколи не намагайтесь видаляти або замінювати деталі на інші, що не вказані в цьому керівництві.

## Використання подовжувача

Завжди використовуйте рекомендований подовжуючий шнур, що відповідає вхідній потужності пристрою (див. Технічні дані). Подовжуючий шнур повинен підходити для використання на вулиці та повинен мати відповідне маркування. До 30 м подовжуючого шнура з площею перетину 1,5 мм<sup>2</sup> HO5VV-F можна використовувати без втрати продуктивності роботи виробу. Перед використанням огляньте кабель на ознаки пошкодження, зносу та старіння. Замініть кабель, якщо він пошкоджений або має

якісь дефекти. При використанні кабельного барабану завжди витягуйте весь кабель.

### Додаткові інструкції з техніки безпеки для мотокозарки

**Попередження!** Ріжучі елементи продовжують обертатися після вимкнення мотору.

- ◆ Ознайомтесь з елементами управління та способами використання пристрою за призначенням.
- ◆ Перед використанням огляньте кабель живлення та подовжуючий шнур на ознаки пошкодження, зносу та старіння. Якщо шнур пошкоджується під час використання, негайно від'єднайте його від електромережі. **НЕ ТОРКАЙТЕСЬ ШНУРА, ДОКИ ВІН НЕ ВІД'ЄДНАНИЙ ВІД ЕЛЕКТРОМЕРЕЖІ.**
- ◆ Не використовуйте пристрій, якщо його кабелі пошкоджені або зношені.
- ◆ Вдягайте міцні надійні черевики, щоб захистити свої ноги.
- ◆ Вдягайте довгі штани для роботи, щоб захистити ноги.
- ◆ Перед використанням пристрою перевірте, що шлях для косіння вільний від прутів, каміння, проводки та інших перешкод.
- ◆ Використовуйте цей пристрій лише у вертикальному положенні так, щоб ріжуча кромка була недалеко від землі. Ніколи не вмикайте інструмент в іншому положенні.
- ◆ При використанні пристрою рухайтесь повільно. Пам'ятайте, що скошена трава волога та слизька.
- ◆ Не працюйте на крутих схилах. Рухайтесь по схилу поперек, а не вгору або вниз.
- ◆ Ніколи не переходьте гравієві доріжки та дороги з увімкненим пристроєм.
- ◆ Ніколи не торкайтесь ріжучої кромки із увімкненим інструментом.
- ◆ Ніколи не кладіть інструмент, доки ріжучий елемент повністю не зупиниться.
- ◆ Використовуйте лише відповідний тип ріжучої волосіні. Забороняється використовувати металеву та рибацьку волосінь.
- ◆ Ніколи не торкайтесь леза підрізного ножа.
- ◆ Зверніть увагу на те, щоб кабель знаходився на безпечній відстані від ріжучого елемента. Стежте за положенням кабелю при роботі.
- ◆ Тримайте руки та ноги подалі від ріжучої волосіні, особливо при ввімкненні інструменту.
- ◆ Перед використанням пристрою та після будь-якої роботи з ним перевіряйте пристрій

на ознаки зносу або пошкодження та виконуйте ремонт за необхідності.

- ◆ Ніколи не використовуйте інструмент із пошкодженими запобіжниками або без них.
- ◆ Будьте обережні, щоб не пошкодитись якимось пристроєм, встановленим для підрізки довжини ріжучої волосіні. Після витягування нової ріжучої волосіні завжди повертайте пристрій у нормальне робоче положення перед увімкненням його.
- ◆ Стежте за тим, що вентиляційні отвори були чистими.
- ◆ Не використовуйте тример для газонів (тример для обробки краю газону), якщо шнур пошкоджений або зношений.
- ◆ Утримуйте подовжуючий шнурі подалі від ріжучих елементів.

### Маркування на пристрої

На інструменті є наступні попереджуючі символи:



Прочитайте ці інструкції перед використанням.



Використовуйте захисні окуляри при роботі з інструментом.



Не дозволяйте людям та тваринам знаходитись ближче, ніж на відстані 6 м від місця зрізання трави.



Не залишайте інструмент під дощем та в умовах підвищеної вологості.

### Електрична безпека



Цей пристрій має подвійну ізоляцію; тому заземлення не є необхідним. Завжди перевіряйте, що джерело живлення відповідає напрузі, що вказана на табличці з паспортними даними.

- ◆ Якщо шнур живлення пошкоджений, його необхідно замінити у виробника або в офіційному сервісному центрі Black & Decker для уникнення небезпеки.

### Деталі

Цей пристрій має всі або деякі з нижче перерахованих деталей.

1. Вимикач
2. Ручка
3. Фіксатор кабелю
4. Вхід електроживлення
5. Додаткова ручка
6. Кнопка налаштування
7. Трубка

8. Захисний кожух
9. Підрізний ніж
10. Корпус для котушки
11. Ріжуча волосінь
12. Направляюча для підрізання краю газону

### Зборка

**Попередження!** Перед зборкою переконайтеся, що інструмент вимкнено та вилка витягнута з розетки.

### Встановлення захисного кожуха

#### (мал. А)

- ◆ Зніміть гвинти із шестигранною голівкою (13) з головки інструменту (14).
- ◆ Розташуйте захисний кожух (8) на інструменті, як показано.
- ◆ Добре натисніть на захисний кожух, доки він не встане на місце.
- ◆ Закріпіть захисний кожух за допомогою гвинтів із шестигранною голівкою.
- ◆ Затягніть гвинти із шестигранною голівкою, використовуючи шестигранний ключ (15) з комплекту поставки.

**Попередження!** Ніколи не використовуйте пристрій без вірно встановленого захисного кожуху.

### Підготовка ріжучої волосіні до роботи

При транспортуванні ріжуча волосінь приклеєна до корпусу котушки.

- ◆ Зніміть плівку, що кріпить ріжучу волосінь (11) до корпусу котушки (10).

### Підключення пристрою до мережі живлення

- ◆ З'єднайте штепсельну розетку відповідного подовжуючого кабелю з отвором входу живлення (4).
- ◆ Закріпіть кабель в фіксаторі (3).
- ◆ Підключіть мережний кабель до мережі живлення.

**Попередження!** Використовуйте подовжуючий шнур, що необхідний для використання поза приміщенням.

### Залишкові ризики.

Ці ризики можуть виникнути через невірне використання, тривале використання, тощо. Навіть дотримуючись відповідних заходів техніки безпеки та використовуючи захисні пристрої, неможливо уникнути певних залишкових ризиків. Сюди належать:

- ◆ Травми через контакт з деталями, що рухаються/обертаються.

- ◆ Травми при заміні деталей, пильних полотен або аксесуарів.
- ◆ Травми через занадто тривале використання інструменту. При використанні будь-якого інструменту протягом тривалого періоду часу не забувайте робити регулярні перерви.
- ◆ Порушення слуху.
- ◆ Небезпека для здоров'я через вдихання пилу, що утворюється при використанні інструменту (наприклад, при обробці деревини, особливо дуба, берези та ДВП.)

### Використання

**Попередження!** Інструмент повинен працювати зі своєю швидкістю. Не перевантажуйте його.

### Встановлення пристрою в режим підстригання або вирівнювання краю газону (мал. В - D)

Ваш інструмент може бути використаний для підстригання трави, як показано на мал. В або для вирівнювання краю газону абоквіткових клумб, як показано на мал. С.

#### Режим підстригання (мал. В і D)

Для підстригання голівку косарки необхідно встановити в положення, показане на мал. В. Якщо голівка знаходиться в невірному положенні:

- ◆ Натисніть на кнопку (6).
- ◆ Поверніть трубку (7), відпустивши кнопку.
- ◆ Коли голівка встане на місце, кнопка автоматично заблокується.

Примітка: Трубка може повертатися лише в одну сторону.

#### Режим вирівнювання краю (мал. С і D)

Для вирівнювання краю голівку косарки необхідно встановити в положення, показане на мал. С. Якщо голівка знаходиться в невірному положенні:

- ◆ Натисніть на кнопку (6).
- ◆ Поверніть трубку (7), відпустивши кнопку.
- ◆ Коли голівка встане на місце, кнопка автоматично заблокується.

Примітка: Трубка може повертатися лише в одну сторону.

### Налаштування довжини пристрою (мал. D)

Цей пристрій має телескопічний механізм, що дозволяє встановити зручну довжину ручки. Можна обрати одне з трьох значень довжини.

Щоб налаштувати довжину, виконайте наступні дії:

- ◆ Натисніть на кнопку (6).
- ◆ Злегка потягніть трубку (7), щоб витягнути її з корпусу мотору (16) на бажану довжину, відпускаючи кнопку.
- ◆ Коли трубка встане на місце, кнопка автоматично заблокується.

### Вмикання та вимикання

- ◆ Щоб увімкнути пристрій, натисніть на вимикач (1).
  - ◆ Щоб вимкнути пристрій, відпустіть вимикач.
- Попередження!** Не намагайтесь заблокувати перемикач у включеному положенні.

### Примітки для оптимального використання

#### Загальні положення

- ◆ Щоб досягти оптимального результату, підрізайте лише суху траву.

#### Підстригання трави

- ◆ Тримайте пристрій, як показано на мал. В.
- ◆ Повільно пересувайте косарку з сторони в сторону.
- ◆ Якщо трава довга, необхідно стригти її поступово, починаючи зверху. Робіть невеликі зрізи.
- ◆ Тримайте пристрій подалі від великих предметів та нижніх рослин.
- ◆ Якщо пристрій починає працювати повільніше, зменшіть навантаження.

#### Вирівнювання краю

Оптимальна якість роботи досягається при висоті краю більше за 50 мм.

- ◆ Не використовуйте пристрій для створення кромки. Застосовуйте для цього спеціальну лопатку.
- ◆ Використовуйте пристрій, як показано на мал. С.
- ◆ Щоб нижче обрізати траву, трохи нахиліть пристрій.

#### Встановлення нової котушки з ріжучою волосінню (мал. E і G)

Запасні котушки можна придбати у дилерів компанії Black & Decker (кат. №. A6495).

- ◆ Утримуйте фіксатори (17) натисненими та витягніть кришку котушки (18) з корпусу (10).
- ◆ Витягніть порожню котушку (19) з корпусу котушки.
- ◆ Видаліть бруд та траву з кришки та корпусу.

- ◆ Встановіть нову котушку на вісь в корпусі котушки так, щоб волосінь опинилась в отворах (23) (мал. F).
- ◆ Пропустіть кінці волосіні крізь відповідні вушка (20) в корпусі (10). Потягніть вільну волосінь, щоб вона виглядала з отворів (23) (мал. G).
- ◆ Вирівняйте фіксатори (17) на корпусі котушки відносно виступів (21) корпусу.
- ◆ Натисніть на кришку (18), щоб вона встала на своє місце на корпусі (10).

**Примітка:** Переконайтесь, що кришка розташована вірно, дочекайтесь двох чітких звуків клацання, що свідчать про вірне розташування обох фіксаторів (17).

**Попередження!** Якщо ріжучі волосіні виступають за лезо (9), обріжте їх так, щоб вони тільки доходили до нього.

#### Намотування нової волосіні на порожню котушку (мал. H - J)

Ви можете намотати ріжучу волосінь на порожню котушку.

Запасні комплекти волосіні можна придбати у дилерів компанії Black & Decker (кат. №. A6171).

- ◆ Зніміть порожню котушку з пристрою, як описано вище.
- ◆ Витягніть всю волосінь, що залишилася, з котушки.
- ◆ Спочатку намотайте нову волосінь на верхню частину котушки:
  - Просуньте 2 см ріжучої волосіні в один з отворів (30) верхньої частини котушки, як показано на малюнку.
  - Намотайте волосінь на котушку в напрямку, що вказано стрілкою. Намотуйте волосінь обережно та шарами. Не заплутуйте її.
  - Коли останній намотаний шар волосіні буде на рівні пазів (22), обріжте волосінь.
  - Тимчасово закріпіть волосінь в пази (23), як показано на рисунку.
- ◆ Повторіть процедуру для другої ріжучої волосіні та нижньої частини котушки. Закріпіть кінець в пазу (23), що не використовується.
- ◆ Встановіть котушку в пристрій, як описано вище. Не забудьте витягти волосінь з пазів (23).

**Попередження!** Використовуйте лише відповідну ріжучу волосінь компанії

Black & Decker. Переконайтесь, що волосін є в обох частинах котушки.

### Усунення несправностей

Якщо Вам здається, що Ваш інструмент працює невірно, виконайте інструкції, що наводяться нижче. Якщо Вам не вдалося вирішити проблему, будь ласка, зверніться в регіональний сервісний центр Black & Decker.

**Попередження!** Перед виконанням операцій, від'єднайте інструмент від мережі живлення.

### Пристрій працює повільно

- ◆ Переверте, що корпус котушки може вільно обертатися. При необхідності обережно прочистіть його.
- ◆ Ріжуча волосін не повинна бути відмотана більше, ніж 11 см від котушки. Обріжте її при необхідності, щоб вона доходила до леза.

### Не працює механізм автоматичної подачі волосіні

- ◆ Утримуйте фіксатори натисненими та витягніть кришку котушки з корпусу.
- ◆ Відмотайте ріжучу волосін на 11 см від корпусу. Якщо котушка має мало волосіні, встановіть нову котушку з ріжучою волосінню, як описано вище.
- ◆ Вирівняйте фіксатори на кришці котушки з пазами на корпусі.
- ◆ Встановіть кришку на корпус до упору, щоб вона надійно трималася на місці.
- ◆ Якщо ріжуча волосін виступає за лезо, обріжте її так, щоб вона тільки доходила до нього.

Якщо механізм автоматичної подачі волосіні все ж не працює або котушка не прокручується, спробуйте наступне:

- ◆ Обережно прочистіть кришку і корпус.
- ◆ Витягніть котушку і переконайтесь, що важіль рухається вільно
- ◆ Витягніть котушку і розмотайте ріжучу волосін, а потім намотайте її знов ретельно, як описано вище. Вставте котушку на місце у відповідності до інструкцій.

### Технічне обслуговування

Ваш пристрій виробництва компанії Black & Decker призначений для роботи протягом довгого часу з мінімальним обслуговуванням. Постійна задовільна робота залежить від правильного догляду за інструментом та регулярної очистки.

**Попередження!** Перед виконанням будь-якого технічного обслуговування інструменту зі шнуром живлення або без нього:

- ◆ Вимкніть інструмент та відключіть його від мережі живлення.
- ◆ Або вимкніть інструмент та витягніть акумулятор з нього, якщо ваш пристрій має окремий акумуляторний блок.
- ◆ Або повністю розрядіть акумулятор, якщо пристрій має вбудований акумулятор, а потім вимкніть інструмент.
- ◆ Витягніть зарядний пристрій з розетки перед очисткою. Ваш зарядний пристрій не вимагає технічного обслуговування, лише необхідно проводити регулярну очистку.
- ◆ Регулярно очищуйте вентиляційні отвори пристрою/інструменту/зарядного пристрою, використовуючи м'яку щітку або суху ганчірку.
- ◆ Регулярно очищуйте корпус мотору, використовуючи вологу ганчірку. Не використовуйте абразивні засоби та засоби на основі розчинників.
- ◆ Регулярно відкривайте патрон та струшуйте його, щоб видалити пил з середини (якщо такий є).

### Захист навколишнього середовища



Окреме збирання. Цей продукт не можна викидати разом зі звичайним побутовим сміттям.

Якщо якимось ви вирішите, що ваш виріб фірми Black & Decker має бути замінено, або він Вам більше не потрібний, не викидайте його на смітник побутового сміття. Зробіть цей виріб доступним для спеціального збирання.



Окреме збирання використаних виробів та упаковки дозволяє повторно переробляти та використовувати матеріали. Повторна переробка матеріалів допомагає попередити забруднення навколишнього середовища та зменшує потребу в сировині.

Місцеві законодавчі акти можуть передбачати окремий збір електричного обладнання в муніципальних місцях для збору сміття або продавцями при покупці нового обладнання.

Компанія Black & Decker має можливість для збору та переробки продуктів власного виробництва після закінчення їхнього терміну

служби. Щоб скористатися цією послугою, поверніть виріб компанії в офіційний сервісний центр, які збирають відпрацьовані продукти за наш рахунок.

Ви можете знайти місцезнаходження найближчого до Вас сервісного центру, зв'язавшись з місцевим офісом компанії Black & Decker за адресою, вказаною в цих інструкціях. Крім того, список офіційних сервісних центрів компанії Black & Decker з усіма подробицями нашого післяпродажного обслуговування та контактною інформацією міститься в Інтернеті за адресою: **www.2helpU.com**

**Технічні дані**

|                   |           | GL701<br>ТИП 3-5 | GL710<br>ТИП 3-5 | GL716<br>ТИП 3-5 |
|-------------------|-----------|------------------|------------------|------------------|
| Вхідна напруга    | $V_{AC}$  | 230              | 230              | 230              |
| Вхідна потужність | $P_t$     | 550              | 520              | 580              |
| Швидкість         |           |                  |                  |                  |
| без навантаження  | $xv^{-1}$ | 6 500            | 6 500            | 6 500            |
| Вага              | кг        | 3,2              | 3,2              | 3,2              |

|                   |           | GL720<br>ТИП 3-5 | GL741<br>ТИП 3-5 |
|-------------------|-----------|------------------|------------------|
| Вхідна напруга    | $V_{AC}$  | 230              | 230              |
| Вхідна потужність | $P_t$     | 600              | 700              |
| Швидкість         |           |                  |                  |
| без навантаження  | $xv^{-1}$ | 6 500            | 6 500            |
| Вага              | кг        | 3,2              | 3,2              |

Вібрація при навантаженні на руку відповідно до EN 786: = 7,5 м/с<sup>2</sup>, Похибка (К) = 1,5 м/с<sup>2</sup>

**Заява про відповідність ЄС**

ДИРЕКТИВА ДЛЯ МЕХАНІЧНОГО  
ОБЛАДНАННЯ

ДИРЕКТИВА ПРО ШУМИ, ЩО ВИНИКАЮТЬ  
ПОЗА ПРИМІЩЕННЯМИ



**GL701/GL710/GL716/GL720/GL741**

Компанія Black & Decker заявляє, що продукти, описані в розділі "Технічні дані" відповідають: 98/37/ЕС (до 28 грудня 2009 р), 2006/42/ЕС (з 29 грудня 2009 р.), EN 60335-1, EN 60335-2-91

2000/14/ЕС, тример для газонів (косарка)  
L ≤ 50 см, Додаток VIII

КЕМА Quality B.V., Utrechtseweg 310, 6802 ED  
Arnhem, Нідерланди

Ідентифікаційний номер уповноваженого  
органу: 0344

Рівень акустичної потужності відповідно до  
2000/14/ЕС

(Стаття 12, Додаток III, L ≤ 50 см):

$L_{WA}$  (виміряна акустична потужність) 95 дБ(А)  
Похибка (К) = 3 дБ(А)

$L_{WA}$  (гарантована акустична потужність)  
96 дБ(А)

Похибка (К) = 3 дБ(А)

Ці продукти також відповідають директиві 2004/108/ЕС. Для отримання більш детальної інформації, будь ласка, зверніться до компанії Black & Decker за наступною адресою або знайдіть адресу на задній обкладинці цього керівництва.

Нижчепідписаний несе відповідальність за упорядкування файлу технічних характеристик та робить цю заяву від компанії Black & Decker

Кевін Хьюїт (Kevin Hewitt)

Віце-президент глобального відділу з розробки побутової техніки Black & Decker Europe, 210 Bath Road, Slough, Berkshire, SL1 3YD  
Великобританія  
1-10-2009

№ заявки на патент Великобританії: 059745.6

Заявка на патентування промислового зразка, якщо не вказано інакше: 340385-0001 & 339544-0001

## БЛЕК ЕНД ДЕККЕР

гарантійні умови

Шановний покупцю!

1. Вітаємо Вас з покупкою високоякісного виробу компанії Black & Decker та висловлюємо Вам свою вдячність за Ваш вибір.
- 1.1. Надійна робота цього виробу на протязі всього терміну експлуатації є предметом особливої турботи наших сервісних служб. У випадку виникнення будь-яких проблем в процесі експлуатації виробу ми рекомендуємо Вам звертатися лише до авторизованих сервісних організацій, адреси та телефони яких Ви зможете знайти в Гарантійному талоні або дізнатися в магазині.  
Наші сервісні центри – це не тільки кваліфікований ремонт, але і широкий вибір запчастин та аксесуарів.
- 1.2. При купівлі виробу вимагайте перевірки його комплектності та справності за Вашої присутності, наявності інструкції з експлуатації та заповненого Гарантійного талону на українській мові. За умови відсутності у Вас правильно заповненого Гарантійного талону ми будемо вимушені відхилити Ваші претензії щодо якості цього виробу.
- 1.3. Щоб уникнути всіх непорозумінь наполегливо просимо Вас перед початком роботи з виробом уважно ознайомитись з інструкцією щодо його експлуатації.
- 1.4. Звертаємо Вашу увагу на виключно побутове призначення цього виробу.
2. Правовою основою даних гарантійних умов є діюче Законодавство та, зокрема, Закон "Про захист прав споживачів".
3. Гарантійний термін на даний виріб складає 24 місяці та починається з дня продажу через роздрібну торгову мережу. У випадку усунення недоліків виробу гарантійний термін подовжується на період, протягом якого виріб не використовувався.
4. Термін служби виробу - 5 років (мінімальний, встановлений у відповідності до Закону "Про захист прав споживачів").
5. Наші гарантійні зобов'язання поширюються тільки на несправності, виявлені протягом гарантійного терміну та обумовлені виробничими та конструктивними факторами.
6. Гарантійні зобов'язання не поширюються:
  - 6.1. На несправності виробу, що виникли в результаті:
    - 6.1.1. Недотримання користувачем вказівок інструкції з експлуатації виробу.
    - 6.1.2. Механічних пошкоджень, викликаних зовнішнім ударним або іншим впливом.
    - 6.1.3. Використання виробу в професійних цілях та об'ємах, в комерційних цілях.
    - 6.1.4. Застосування виробу не за призначенням.
    - 6.1.5. Стихійного лиха.

- 6.1.6. Неприятливому атмосферному та інших зовнішніх впливах на виріб, таких як дощ, сніг, підвищена вологість, нагрів, агресивні середовища, невідповідність параметрів електромережі параметрам, вказаним на інструменті.
- 6.1.7. Використання аксесуарів, витратних матеріалів та запчастин, які не рекомендовані або не схвалені виробником.
- 6.1.8. Проникнення всередину інструменту сторонніх предметів, комах, матеріалів або речовин, що не є відходами, які супроводжують використання інструменту за призначенням, наприклад, стружки, опилки та ін.
- 6.2. На інструменти, що були відкриті, піддані ремонту або модифікації поза уповноваженим сервісним центром.
- 6.3. На приналежності, запчастини, що вийшли з ладу внаслідок нормального зносу, та витратні матеріали, такі як, приводні ремені, вугільні щітки, ножі, та ін.
- 6.4. На несправності, які виникли в результаті перевантаження інструменту, що призвело до виходу з ладу електродвигуна або інших вузлів та деталей. До безумовних ознак перевантаження виробу належать, зокрема: поява кольорів мінливості, деформація або опалення деталей та вузлів виробу, потемніння або обуглювання ізоляції дротів електродвигуна під впливом високої температури.



Блек енд Декер ГмбХ,  
Блек енд Декер Штрассе, 40,  
65510 Ідштайн, Німеччина.

03 червня 1999 р.



## Kullanım amacı

Black & Decker misinalı çim kesme makineniz bahçenizdeki çim kenarlarının kesilmesi ve düzeltilmesi, ayrıca dar alanlardaki çimlerin kesilmesi için tasarlanmıştır. Bu alet sadece hafif hizmet ve hobi kullanımı içindir.

## Güvenlik talimatları

**Uyarı!** Elektrikli aletlerle çalışırken yangın oluşma riski, elektrik çarpması, kişilerin yaralanması ve maddi zararları önlemek için burada belirtilen güvenlik talimatlarına uyulmalıdır.

- ◆ Aletle çalışmaya başlamadan önce bu kılavuzu dikkatlice okuyun.
- ◆ Kullanım amacı bu kullanım kılavuzunda açıklanmıştır. Bu aletle, kullanım kılavuzunda belirtilenler dışında herhangi bir aksesuar ya da elemanın kullanılması veya herhangi bir işlemin gerçekleştirilmesi kişisel yaralanma riskine yol açabilir.
- ◆ Kılavuzu, ileride kullanabilmeniz için saklayın.

## Aletin kullanımı

Aleti kullanırken her zaman dikkatli olun.

- ◆ Her zaman koruyucu gözlük takın.
- ◆ Çocukların veya bu talimatları bilmeyen kişilerin aleti kullanmasına izin vermeyin.
- ◆ Çocukların veya hayvanların çalışma alanına yaklaşmasına veya alete ya da elektrik kablosuna dokunmasına izin vermeyin.
- ◆ Alet çocukların yanında kullanıldığında yakın gözetim gerekmektedir.
- ◆ Bu alet genç veya kuvvetsiz kişilerin gözetimsiz kullanmaları için tasarlanmamıştır.
- ◆ Bu alet oyuncak olarak kullanılamaz.
- ◆ Aleti yalnızca gün ışığında veya iyi bir aydınlatma altında kullanın.
- ◆ Aleti, sadece kuru alanlarda kullanın. Aletin ıslanmasına izin vermeyin.
- ◆ Aleti suya batırmayın.
- ◆ Gövde muhafazasını açmayın. Aletin içinde bakımı kullanıcı tarafından yapılabilecek herhangi bir parça yoktur.
- ◆ Aleti, yanıcı sıvılar, gazlar ve tozların bulunduğu yerler gibi yanıcı ortamlarda çalıştırmayın.
- ◆ Fişler veya kabloların hasar görme riskini azaltmak için fişi prizden çıkartmak istediğinizde asla kablodan tutarak çekmeyin.

## Diğer kişilerin güvenliği

- ◆ Bu alet fiziksel ve zihinsel kapasitesinin yanı sıra algılama gücü azalmış olan veya yeterince deneyim ve bilgisi bulunmayan kişiler (çocuklar dahil) tarafından kullanılmak

üzere üretilmemiştir. Bu tür kişiler aleti ancak güvenliklerinden sorumlu bir kişi tarafından cihazın kullanımıyla ilgili talimatların verilmesi veya sürekli kontrol altında tutulması durumunda kullanabilir.

- ◆ Çocuklar, aletle oynamalarının önlemek amacıyla kontrol altında tutulmalıdır.

## Kullanımdan sonra

- ◆ Aletler, kullanılmadıkları zamanlarda kuru, iyi havalandırılmalı ve çocukların ulaşamayacağı yüksek bir yerde saklanmalıdır.
- ◆ Çocuklar, aletin saklandığı yere erişmemelidir.
- ◆ Alet bir araç içinde saklanırken veya taşınırken, ani hız veya yön değişikliklerinde hareket etmesini önlemek için bagaja koyulmalı veya sabitlenmelidir.

## İncelemeler ve tamiratlar

- ◆ Kullanmadan önce alette hasarlı veya kusurlu parça olup olmadığını kontrol edin. Parçalardaki kırılmaları ve aletin çalışmasını etkileyebilecek tüm diğer koşulları kontrol edin.
- ◆ Herhangi bir parçası hasarlı veya kusurlu ise aleti kullanmayın.
- ◆ Hasarlı veya kusurlu parçaların Black & Decker yetkili servisinde onarılmasını veya değiştirilmesini sağlayın.
- ◆ Bu kılavuzda belirtilenler dışında hiçbir parçayı sökmeye veya değiştirmeye çalışmayın.

## Uzatma kablolarının kullanımı

Daima bu aletin elektrik girişine uygun (teknik özelliklerine bakın), onaylı bir uzatma kablosu kullanın. Uzatma kablosu açık havada kullanıma uygun ve buna göre işaretlenmiş olmalıdır. 30 m'ye kadar 1,5 mm<sup>2</sup> iletken ebatlı HO5VV-F uzatma kablosu, güç kaybı yaşanmadan kullanılabilir. Kullanmadan önce, uzatma kablosunda hasar, aşınma veya eskime olup olmadığını kontrol edin. Hasarlı veya kusurlu ise, uzatma kablosunu değiştirin. Bir kablo makarası kullanırken, kabloyu daima sonuna kadar açın.

## Çim kesme makineleri için ek güvenlik talimatları

**Uyarı!** Motor kapatıldıktan sonra kesim elemanları dönmeye devam eder.

- ◆ Aletin kumandalarını ve uygun şekilde kullanımını öğrenin.
- ◆ Kullanmadan önce, şebeke kablosunda ve uzatma kablosunda hasar, aşınma veya eskime olup olmadığını kontrol edin. Kablo kullanım sırasında hasar görmüşse, kabloyu derhal fişten çekin. KABLOYU FİŞTEN ÇEKMEDEN ÖNCE KABLOYA DOKUNMAYIN.

## TÜRKÇE

- ◆ Kablo hasarlı veya yıpranmış ise aleti kullanmayın.
- ◆ Ayaklarınızı korumak için sağlam ayakkabılar veya botlar giyin.
- ◆ Bacaklarınızı korumak için uzun pantolon giyin.
- ◆ Aleti kullanmadan önce, kesim yolunuzda çalı parçaları, taşlar, tel ve başka herhangi bir engel olup olmadığını kontrol edin.
- ◆ Aleti, sadece dik konumda ve misina yere yakın olarak kullanın. Aleti kesinlikle başka hiçbir konumda açmayın.
- ◆ Aleti kullanırken yavaş hareket edin. Yeni kesilmiş çimin nemli ve kaygan olduğunu unutmayın.
- ◆ Dik eğimlerde çalışmayın. Yukarı ve aşağı doğru değil, eğim yüzeyi boyunca çalışın.
- ◆ Alet çalışır durumdayken kesinlikle çakıllı patikalardan veya yollardan geçmeyin.
- ◆ Alet çalışırken hiçbir zaman misinaya dokunmayın.
- ◆ Misina tamamen durmadan aleti yere koymayın.
- ◆ Daima uygun tipte misina kullanın. Kesinlikle metal kesim ipi veya balık misinası kullanmayın.
- ◆ Misina kesim bıçağına kesinlikle dokunmayın.
- ◆ Şebeke kablosunu misinadan uzak tutmaya dikkat edin. Kablonun konumuna daima dikkat edin.
- ◆ Ellerinizi ve ayaklarınızı, özellikle motoru çalıştırırken misinadan daima uzakta tutun.
- ◆ Aleti kullanmadan önce ve herhangi bir darbeden sonra, aşınma veya hasar olup olmadığını kontrol edin ve gerekirse tamir ettirin.
- ◆ Siperlik zarar gördüğünde veya yerine takılı olmadığında hiçbir zaman aleti çalıştırmayın.
- ◆ Çim kesme için misinayla çalışan aletlerde misina uzunluğundan dolayı meydana gelebilecek yaralanmalara karşı önlem alın. Misinayı uzattıktan sonra, çalıştırmadan önce aleti her zaman normal çalışma konumuna getirin.
- ◆ Havalandırma deliklerinde herhangi bir birikinti olmadığından daima emin olun.
- ◆ Kablo hasarlı veya yıpranmış ise çim kesme makinesini kullanmayın.
- ◆ Uzatma kablosunu kesim elemanlarından uzak tutmaya dikkat edin.

### Alet üzerindeki etiketler

Alet üzerinde, aşağıdaki uyarı sembolleri bulunmaktadır:



Aleti kullanmadan önce kullanım kılavuzunu okuyun.



Bu aleti kullanırken koruyucu gözlük kullanın.



İnsanları ve hayvanları kesim alanından en az 6 m uzakta tutun.



Aleti yağmura ve yüksek neme maruz bırakmayın.

### Elektrik güvenliği



Bu alet çift yalıtımlıdır; bu yüzden hiçbir topraklama kablosuna gerek yoktur. Her zaman şebeke geriliminin aletin üretim etiketinde belirlenmiş değerlere uyup uymadığını kontrol edin.

- ◆ Elektrik kablosu hasarlı ise, bir tehlike oluşmasını önlemek için üretici ya da yetkili Black & Decker Servis Merkezi tarafından değiştirilmelidir.

### ÖZELLİKLER

Bu alet, aşağıdaki özelliklerin bir kısmını veya tümünü içermektedir.

1. Açma/kapama düğmesi
2. Tutma kolu
3. Kablo tutucu
4. Güç girişi
5. İkinci tutma kolu
6. Ayarlama düğmesi
7. Gövde borusu
8. Siperlik
9. Misina düzeltme bıçağı
10. Makara muhafazası
11. Misina
12. Kenar kılavuzu

### Montaj

**Uyarı!** Montajdan önce aletin kapalı ve fişinin çekilmiş olduğundan emin olun.

### Siperliğin takılması (Şekil A)

- ◆ Altıgen başlı vidaları (13) kafadan (14) sökün.
- ◆ Siperliği (8) gösterildiği gibi aletin üzerine yerleştirin.
- ◆ Yerine yerleşene kadar siperliği sıkıca bastırın.
- ◆ Siperliği altıgen başlı vidalar ile sabitleyin.
- ◆ Altıgen başlı vidaları verilmiş olan altıgen ağızlı anahtar(15) kullanılarak sıkın.

**Uyarı!** Aleti, siperlik uygun şekilde takılı değilken kesinlikle kullanmayın.

### Misininin çıkartılması

Misina, makara muhafazasına bantlanmıştır.

- ◆ Misinayı (11) makara muhafazasına (10) yapıştıran bandı çikartın.

### Aletin Őebeke elektriĐine baĐlanması

- ◆ Uygun bir uzatma kablosunun diŐi fiŐini g¼ĝ giriŐine (4) takın.
- ◆ Kabloyu kablo tutucusundan (3) geĝirin.
- ◆ Őebeke fiŐini bir Őebeke prizine takın.

**Uyarı!** Uzatma kablosu aĝık havada kullanıma uygun olmalıdır.

### DiĐer tehlikeler.

Aletin kullanımıyla ilgili ekte sunulan g¼venlik uyarılarına dahil olmayan ilave kalıcı riskler ortaya ĝıkabilir. Bu riskler, hatalı, uzun s¼reli kullanım vb. dolayısıyla ortaya ĝıkabilir.

Emniyet tedbirlerini d¼zenleyen y¼netmeliĐin uygulanmasına ve emniyet saĐlayıcı aygıtların kullanılmasına raĐmen, baŐka belirli risklerden kaĝınılamaz. Bunlar:

- ◆ **Aletin d¼nen ve hareket eden parĝalarına dokunma sonucu ortaya ĝıkan yaralanmalar.**
- ◆ **Herhangi bir parĝayı, bıĝak veya aksesuarı deĐiŐtirirken ortaya ĝıkan yaralanmalar.**
- ◆ **Aletin uzun s¼reli kullanılması sonucu ortaya ĝıkan yaralanmalar. Herhangi bir aleti uzun s¼relerle kullanacaksanız d¼zenli olarak ĝalıŐmanıza ara verin.**
- ◆ **Duyuma bozukluĐu.**
- ◆ **Aleti kullanırken ortaya ĝıkan tozun solunması sonucu ortaya ĝıkan saĐlık sorunları (örnek: ahŐapta, özellikle meŐe, kayın ve MDF).**

### Kullanımı

**Uyarı!** Aletin kendi hızında ĝalıŐmasına izin verin. AŐırı y¼klenmeyin.

### Aletin normal kesme veya kenar kesme moduna getirilmesi (Őekil B - D)

Alet, Őekil B'de g¼sterildiĐi gibi normal kesme modunda veya Őekil C'de g¼sterildiĐi gibi bahĝenin kenarlarından ve ĝiĝek yataklarından sarkan ĝimleri kesmek iĝin kenar kesme modunda kullanılabilir.

### Kesme modu (Őekil B ve D)

Normal kesme modu iĝin, kesim kafası Őekil B'de g¼sterilen konumda olmalıdır. DeĐilse:

- ◆ Ayarlama d¼Đmesine (6) basın.
- ◆ D¼Đmeyi bırakırken g¼vde borusunu (7) d¼nd¼r¼n.
- ◆ Motor g¼vdesi ilgili konuma geldiĐinde d¼Đme yerine kilitlenecektir.

**Not:** G¼vde borusu yalnızca tek bir y¼nde d¼necektir.

### Kenar kesme modu (Őekil C ve D)

Kenar kesme modu iĝin, kesim kafası Őekil G'de g¼sterilen konumda olmalıdır. DeĐilse:

- ◆ Ayarlama d¼Đmesine (6) basın.
- ◆ D¼Đmeyi bırakırken g¼vde borusunu (7) d¼nd¼r¼n.
- ◆ Motor g¼vdesi ilgili konuma geldiĐinde d¼Đme yerine kilitlenecektir.

**Not:** G¼vde borusu yalnızca tek bir y¼nde d¼necektir.

### Aletin y¼ksekliliĐinin ayarlanması (Őekil D)

Bu alet, en rahat ĝalıŐabildiĐiniz y¼ksekliliĐe g¼re ayarlanıŐa olanak veren teleskopik bir mekanizmaya sahiptir. Üĝ y¼kseklilik ayarı bulunmaktadır. Y¼kseklilik ayarını yapmak iĝin aŐaĐıdaki iŐlemleri uygulayın:

- ◆ Ayarlama d¼Đmesine (6) basın.
- ◆ D¼Đmeyi bırakırken boruyu (7) motor muhafazasından (16) dıŐarı doĐru yavaŐŐa istediĐinizi y¼ksekliliĐe ĝekin.
- ◆ Boru ilgili konuma geldiĐinde d¼Đme yerine kilitlenecektir.

### Aĝılması ve kapatılması

- ◆ Aleti aĝmak iĝin, aĝma/kapama d¼Đmesine (1) basın.
- ◆ Aleti kapatmak iĝin aĝma/kapama d¼Đmesini bırakın.

**Uyarı!** Aĝma/kapama d¼Đmesini kesinlikle aĝık konumda kilitlemeye ĝalıŐmayın.

### Yararlı tavsiyeler

#### Genel

En uygun kesim sonuĝları elde etmek iĝin, sadece kuru ĝim kesin.

#### Kesme

- ◆ Aleti Őekil B'de g¼sterildiĐi gibi tutun.
- ◆ ĝim kesme makinesini yavaŐŐa bir taraftan diĐer tarafa doĐru sallayın.
- ◆ Uzun ĝimleri keserken, yukarıdan aŐaĐı kademelerle ĝalıŐın. K¼ĝ¼k kesimler yapın.
- ◆ Aleti sert nesnelere ve hassas bitkilerden uzak tutun.
- ◆ Alet yavaŐlırsa, y¼k¼ azaltın.

#### Kenar kesme

En uygun kesim sonuĝları 50 mm'den derin kenarlarda elde edilmektedir.

- ◆ Aleti, kenar oluŐturmak iĝin kullanmayın. Kenar oluŐturmak iĝin bir bahĝivan k¼reĐi kullanın.

## TÜRKÇE

- ◆ Aleti Şekil C'de gösterildiği gibi yönlendirin.
- ◆ Daha yakın bir kesim yapabilmek için aleti hafifçe eğin.

### Yeni bir misina makarasının takılması (Şekil E ve G)

Yedek misina makaralarını Black & Decker bayiinizden temin edebilirsiniz (kat. no. A6495).

- ◆ Tırnakları (17) basılı tutup makara kapağını (18) muhafazadan (10) çıkartın.
- ◆ Boş makarayı (19) makara muhafazasından çıkartın.
- ◆ Makara kapağı ve muhafazadaki tüm kir ve çimi temizleyin.
- ◆ Yeni makarayı, ipler yuvalara (23) girecek şekilde makara muhafazasındaki göbeğin üzerine yerleştirin (Şekil F).
- ◆ İplerin uçlarını muhafazadaki (10) uygun deliklere (20) geçirin. Gevşek ipi sabitlenmiş yuvalardan (23) dışarı çıkana kadar çekin (Şekil G).
- ◆ Makara kapağındaki tırnakları (17) muhafazadaki deliklerle (21) hizalayın.
- ◆ Kapağı (18), güvenli bir şekilde yerine geçene kadar muhafazanın (10) üzerine bastırın.

**Not:** Kapağın yerine yerleştikten emin olun; her iki tırnağın da (17) doğru bir şekilde oturduğundan emin olmak için iki tık sesi duyulmalıdır.

**Uyarı!** Misinalar düzeltme bıçağının (9) ötesine uzuyorsa, misinaları sadece bıçağa ulaşacak şekilde kesin.

### Yeni misinanın boş bir makaraya sarılması (Şekil H - J)

Boş bir makaraya yeni misinayı sarabilirsiniz.

Yedek misina paketlerini Black & Decker bayiinizden temin edebilirsiniz (kat. no. A6171).

- ◆ Boş makarayı, yukarıda belirtildiği gibi aletten çıkartın.
- ◆ Makarada kalan misinayı makaradan çıkartın.
- ◆ İlk önce yeni misinayı makaranın en üst kısmına sarın:
  - 2 cm kadar misinayı, gösterildiği gibi makaranın üst kısmındaki yuvalardan birine geçirin.
  - Misinayı, ok yönünde makaraya sarın. Misinayı, düzenli ve katmanlar halinde sardığınızdan emin olun. Çapraz sarmayın.
  - Sarılmış misina oyuklara (22) ulaştığında misinayı kesin.
  - Misinayı, gösterildiği gibi makaranın yan tarafındaki yuvalara (23) geçici olarak takın.

- ◆ Yukarıdaki işlemleri, makaranın alt kısmında ikinci misina için de tekrarlayın. Misinayı kullanılmamış (23) yuvalara takın.
- ◆ Makarayı alete takmak için yukarıda belirtilen işlemleri uygulayın. Misinayı geçici olarak taktığınız yuvalardan (23) çıkartmayı unutmayın.

**Uyarı!** Yalnızca uygun tipte Black & Decker misina kullanın. Makaranın her iki kısmında da misina bulunduğundan emin olun.

### Arıza giderme

Aletinizin düzgün çalışmadığını düşünüyorsanız aşağıdaki talimatları izleyin. Bu, sorunu çözmezse lütfen en yakın Black & Decker yetkili servisiyle temas kurun.

**Uyarı!** Devam etmeden önce aleti kapatıp fişini çekin.

### Alet çok yavaş çalışıyor

- ◆ Makara muhafazasının rahatça dönüp dönmediğini kontrol edin. Gerekirse dikkatli bir şekilde temizleyin.
- ◆ Misinanın, makara muhafazasından 11 cm'den fazla çıkıp çıkmadığını kontrol edin. Çıkıyorsa, sadece misina düzeltme bıçağına ulaşacak şekilde kesin.

### Otomatik misina sistemi çalışmıyor

- ◆ Tırnakları basılı tutup makara kapağını muhafazadan çıkartın.
- ◆ Misinayı muhafazadan 11 cm çıkana kadar çekin. Makarada yeterince misina kalmamışsa, yukarıda belirtildiği gibi yeni bir misina makarası takın.
- ◆ Makara kapağındaki tırnakları muhafazadaki deliklerle hizalayın.
- ◆ Kapağı, güvenli bir şekilde yerine geçene kadar muhafazanın üzerine bastırın.
- ◆ Misina düzeltme bıçağının ötesine uzuyorsa misinayı sadece bıçağa ulaşacak şekilde kesin.

Otomatik misina sistemi hala çalışmıyorsa veya makara sıkışmışsa aşağıdaki önerileri deneyin:

- ◆ Makara kapağını ve muhafazayı dikkatli bir şekilde temizleyin.
- ◆ Makarayı çıkartın ve kolun serbestçe hareket etmediğini kontrol edin.
- ◆ Makarayı çıkartın ve misinayı çözün, ardından yukarıda açıklandığı gibi düzenli bir şekilde geri sarın. Makarayı belirtildiği gibi yerine yerleştirin.

## Bakım

Black & Decker elektrikli/şarjlı aletinin minimum bakımla uzun bir süre çalışacak şekilde tasarlanmıştır. Kesintisiz olarak memnuniyet verici bir şekilde çalışması gerekli özenin gösterilmesine ve düzenli temizliğe bağlıdır.

**Uyarı!** Elektrikli/şarjlı alet üzerinde herhangi bir bakım işlemi gerçekleştirmeden önce:

- ◆ Aleti kapatın ve fişten çekin.
- ◆ Ya da aletin çıkartılabilir aküsü varsa; aleti kapatın ve aküyü aletten çıkartın.
- ◆ Ya da aletin dahili aküsü varsa, bitene kadar çalıştırın ve sonra kapatın.
- ◆ Şarj cihazını temizlemeden önce fişten çekin. Şarj cihazınız, düzenli temizlik dışında herhangi bir bakım gerektirmemektedir.
- ◆ Aletinizdeki ve şarj cihazındaki havalandırma deliklerini yumuşak bir fırça veya kuru bir bezle düzenli olarak temizleyin.
- ◆ Motor muhafazasını düzenli olarak nemli bir bezle silin. Aşındırıcı veya çözücü bazlı temizleyiciler kullanmayın.
- ◆ Mandreni düzenli olarak tamamen açın ve içindeki tozu dökmek için hafifçe vurun (mandren alete takılıysa).

## Çevrenin korunması



Ayrı olarak atın. Bu ürün, normal evsel atıklarla birlikte atılmamalıdır.

Black & Decker ürününüzün değiştirilmesi gerektiğini düşünmeniz veya artık kullanılamaz durumda olması halinde onu, evsel atıklarla birlikte atmayın. Bu ürünü, ayrı olarak toplanacak şekilde atın.



Kullanılmış ürünlerin ve ambalajların ayrı olarak toplanması bu maddelerin geri dönüşüme sokularak yeniden kullanılmasına olanak tanır. Geri dönüşümlü maddelerin tekrar kullanılmasını çevre kirliliğinin önlenmesine yardımcı olur ve ham madde ihtiyacını azaltır.

Yerel yönetmelikler, elektrikli ürünlerin evlerden toplanıp belediye atık tesislerine aktarılması veya yeni bir ürün satın alırken perakende satıcı tarafından toplanması yönünde hükümler içerebilir.

Black & Decker, hizmet ömrünün sonuna ulaşan Black & Decker ürünlerinin toplanması ve geri dönüşüme sokulması için bir imkan sunmaktadır. Bu hizmetin avantajlarından faydalanmak için,

lütfen, ürününüzü bizim adımıza teslim alacak herhangi bir yetkili servise iade edin.

Bu kılavuzda belirtilen listeden size en yakın yetkili tamir servisinin yerini öğrenebilirsiniz. Ya da, alternatif olarak internet'ten Black & Decker yetkili tamir servislerinin listesini ve satış sonrası hizmetlerimizle ilgili tüm bilgiler ve temas bilgilerine aşağıdaki siteden ulaşabilirsiniz.

[www.2helpU.com](http://www.2helpU.com)

### Teknik özellikleri

|               |                 | GL701    | GL710    | GL716    |
|---------------|-----------------|----------|----------|----------|
|               |                 | TYPE 3-5 | TYPE 3-5 | TYPE 3-5 |
| Giriş voltajı | V <sub>AC</sub> | 230      | 230      | 230      |
| Giriş gücü    | W               | 550      | 520      | 580      |
| Yüksüz hızı   | dev/dak.        | 6 500    | 6 500    | 6 500    |
| Ağırlık       | kg              | 3,2      | 3,2      | 3,2      |

|               |                 | GL720    | GL741    |
|---------------|-----------------|----------|----------|
|               |                 | TYPE 3-5 | TYPE 3-5 |
| Giriş voltajı | V <sub>AC</sub> | 230      | 230      |
| Giriş gücü    | W               | 600      | 700      |
| Yüksüz hızı   | dev/dak.        | 6 500    | 6 500    |
| Ağırlık       | kg              | 3,2      | 3,2      |

EN 786'ya göre el/kol ağırlıklı titreşim:  
7,5 m/s<sup>2</sup>, Belirsizlik (K) = 1,5 m/s<sup>2</sup>

**AT Uygunluk Beyanları**  
MAKİNE DİREKTİFİ  
DIŞ MEKAN GÜRÜLTÜ DİREKTİFİ



**GL701/GL710/GL716/GL720/GL741**

Black & Decker, «teknik özellikleri» bölümünde açıklanan bu ürünlerin 98/37/EC (28 Aralık 2009'a kadar), 2006/42/EC (29 Aralık 2009'dan itibaren), EN 60335-1, EN 60335-2-91 normlarına uygun olduğunu beyan eder.

2000/14/EC, Misinalı çim biçme makinesi, L ≤ 50, Ek VIII

KEMA Quality B.V., Utrechtseweg 310, 6802 ED Arnhem, Hollanda

Onaylanmış kuruluş Kimlik No.: 0344

2000/14/EC (Madde 12, Ek III, L ≤ 50 cm)'e göre ölçülen ses basıncı düzeyi:

L<sub>WA</sub> (akustik güç) 95 dB(A)

Belirsizlik (K) = 3 dB(A)

L<sub>WA</sub> (garantili) 96 dB(A)

Belirsizlik (K) = 3 dB(A)

Bu ürünler ayrıca 2004/108/EC Direktifine de uygundur. Daha fazla bilgi için, lütfen aşağıdaki

## TÜRKÇE

adresten Black & Decker ile irtibata geçin veya kılavuzun arkasına bakın.

Bu belge altında imzası bulunan yetkili, teknik dosyanın derlenmesinden sorumludur ve bu beyanı Black & Decker adına vermiştir.



Kevin Hewitt  
Başkan Yardımcısı,  
Global Mühendislik  
Black & Decker Europe,  
210 Bath Road, Slough,  
Berkshire, SL1 3YD  
İngiltere  
1-10-2009

İngiltere patent başvuru numarası: 059745.6

Avrupa Topluluğu tasarım başvuru numaraları:  
340385-0001 & 339544-0001

### Garanti

Black & Decker, ürünün kalitesinden emindir ve bu yüzden kanunlarda belirtilen taleplerin üstünde bir garanti verir. Ayrıca bu garanti hiçbir şekilde garanti ile ilgili kanuni haklarınızı ihlal etmez ve haklarınızı hiç bir şekilde kısıtlamaz. İşbu garanti Avrupa Birliği'ne üye ülkeler ile Avrupa Serbest Ticaret Bölgesi sınırları dahilinde geçerlidir.

Eğer bir Black & Decker ürünü, satın alma tarihinden itibaren 24 ay içinde hatalı malzeme, işçilik ya da uygunsuzluk nedeniyle bozulursa, müşteriye mümkün olabilecek en az sorunu yaşatarak Black & Decker hatalı kısımları değiştirmeyi, adil bir şekilde aşınmış ve yıpranmış ürünleri tamir etmeyi veya değiştirmeyi garanti eder. Ancak bu belirtilenler şu durumlar dışında geçerlidir:

- ◆ Ürün ticari veya profesyonel amaçlarla kullanılmışsa veya kiraya verilmişse;
- ◆ Ürün yanlış veya amaç dışı kullanılmışsa;
- ◆ Ürün yabancı nesnelere, maddelere veya kaza sırasında zarar görmüşse;
- ◆ Yetkili tamir servisleri veya Black & Decker servis ekibinden başkası tarafından tamir edilmeye çalışılmışsa.

Garanti talebinde bulunmak için, satıcıya veya yetkili tamir servisine satın aldığınıza dair ispat sunmalısınız. Fatura ve garanti kartı gerekmektedir. Bu kılavuzda belirtilen listeden size en yakın yetkili tamir servisinin yerini öğrenebilirsiniz. Ya da, alternatif olarak internet'ten Black & Decker yetkili tamir servislerinin listesini ve satış sonrası hizmetlerimizle ilgili tüm bilgiler ve temas

bilgilerine aşağıdaki siteden ulaşabilirsiniz.  
**www.2helpU.com**

Sanayi ve Ticaret Bakanlığı tebliğince kullanım ömrü 10 yıldır.

### Türkiye Distribütörü

KALE HIRDAVAT VE MAKİNA A.Ş.  
Defterdar Mah. Savaklar Cad. No. 15  
34050 Edirnekapı Eyüp İstanbul  
Tel: (0212) 533 52 55 (Pbx)  
Faks: (0212) 533 10 05  
E-posta: info@kalemakina.com

| Şehir         | Yetkili Servis             | Adres  | Telefon        |
|---------------|----------------------------|--|----------------|
| 1 Adana       | Emin Elektrik Bobinaj      | Kızılay Cad. 9 Sok. No: 9/D                                      | 0322 351 80 46 |
| 2 Afyon       | Emek Motor                 | Karaman Mah. Gazlı Göl Cad. No: 15                               | 0272 212 11 14 |
| 3 Ağr         | Tamgüç Bobinaj             | Kağızman Cad. No: 42   | 0472 215 70 41 |
| 4 Amasya      | Akotelek Ticaret           | Yeniyoıl Cad. No: 85   | 0358 218 71 19 |
| 5 Ankara      | Orhan Bobinaj              | Yalınç Sok. No: 17 Site1er                                       | 0312 350 95 29 |
| 6 Ankara      | Orhan Bobinaj Şube         | 41. Sok. No: 39 Ostim  | 0312 385 92 92 |
| 7 Ankara      | Yığıt Bobinaj              | 668. Sok. No: 8 Eminel Koop. İvedik Ostim                        | 0312 395 05 37 |
| 8 Ankara      | Başak Elektrik             | Ahievran Cad. 36. sok. No: 2 Ostim                               | 0312 386 20 84 |
| 9 Antalya     | E.Ş.A Elektrik             | San. Sit. 682. Sok No: 38  | 0242 345 36 22 |
| 10 Antalya    | Yaşar Bobinaj              | Aşağı Pazarcı Mah. San. Girişi No: 19 Manavgat                   | 0242 742 44 07 |
| 11 Antalya    | Uslu Bobinaj               | G. Pınarı Mah. Oba Yolu Üzeri no: 27/C Alanya                    | 0242 511 57 01 |
| 12 Aydın      | Tacıroğlu Kaya Bobinaj     | 1.San. Sit. Üst San. Cad. 2. Sok. No: 31/A                       | 0256 212 70 48 |
| 13 Aydın      | Saydam Motor               | Küçük San. Sit. Çubukçu Sok. No: 2/B Söke                        | 0256 512 81 91 |
| 14 Aydın      | Özgür Bobinaj              | Kuşadası San. Sit. j Blok no:13 Kuşadası                         | 0256 622 1373  |
| 15 Aydın      | Ege Bobinaj                | Yeni Mah Atatürk Bul. No:206/E Didim                             | 0256 811 05 95 |
| 16 Balıkesir  | Tezger Bobinaj             | Yeni San. Sit. Cumhuriyet Cad. 198/A                             | 0266 246 23 01 |
| 17 Balıkesir  | Küre Bobinaj               | Atatürk Cad. No: 104 Bandırma                                    | 0266 718 46 79 |
| 18 Batman     | Topız Bobinaj              | Cumhuriyet Cad. 1512 Sok. No: 50                                 | 0488 214 87 70 |
| 19 Bolu       | Kilitçi Ticaret            | Aşağı Soku San. Sit. 37.Blok No:16                               | 0374 215 43 64 |
| 20 Bursa      | Vokart Ltd. Şti.           | Gazlılar Cad. Erikli Bahçe Sok. No: 7/B                          | 0224 254 48 75 |
| 21 Çanakkale  | Kısacık Bobinaj            | Namık Kemal Mah. Kaynak Sok. No: 41                              | 0286 217 96 71 |
| 22 Çanakkale  | Ovalı Bobinaj              | Hamdiyeh Mah. İstiklal Cad. No: 160 Biga                         | 0286 316 49 66 |
| 23 Çorum      | Emek Bobinaj               | Küçük San. Sit. 23. Cad No: 5/C                                  | 0364 234 68 84 |
| 24 Denizli    | Örsler Bobinaj             | Sedef Çarşısı 9/10   | 0258 261 42 74 |
| 25 Diyarbakır | Çetsan Elektrik            | San. Sit. Karakol Sok. No: 1                                     | 0412 237 29 04 |
| 26 Düzce      | Yıldız Makina              | Burhaniye Mah. Gen. Kazım Sok. No: 10                            | 0380 514 70 56 |
| 27 Edirne     | Efe Bobinaj                | Küçük San. Sit. 22. Blok   | 0284 225 35 73 |
| 28 Edirne     | Demir Bobinaj              | San. Sit. 7. Blok No: 3 Keşan                                    | 0284 714 38 26 |
| 29 Elazığ     | Kalender Elektrik Bobinaj  | San. Sit. 11. Sok No: 46   | 0424 224 85 01 |
| 30 Erzurum    | Ümit Elektrik Makina       | San. Çarşısı 770 Sok. No: 71                                     | 0446 224 08 01 |
| 31 Erzurum    | Bursan Bobinaj             | San. Sit. 5. Blok No: 135  | 0442 242 77 28 |
| 32 Eskişehir  | Escorm Elektronik          | Kırmızı Toprak Mah. Ali Fuat Güven Cad. No 31/A                  | 0222 224 15 30 |
| 33 Gaziantep  | Eser Bobinaj               | K.S.S.A Blok 11. Cad.25. Ada No: 55 Ş.Kamili                     | 0342 235 50 84 |
| 34 Gaziantep  | Karağahin Bobinaj          | İsmet Paşa Mah. Şenyurt Cad. No: 35                              | 0342 231 17 53 |
| 35 Hatay      | Öz Kardeş Bobinaj          | Yeni San. Sit. 38/A Blok No: 34                                  | 0326 221 22 91 |
| 36 Isparta    | İzmir Bobinaj              | Yeni San. Sit. 6 Blok No: 28                                     | 0246 223 70 11 |
| 37 İstanbul   | Akel El. Servis Hizmetleri | Nato Yolu Caddesi Özgün Sok. No: 1 Y.Dudullu                     | 0216 540 53 55 |
| 38 İstanbul   | Birik Elektromekanik       | Perpa Tic. Mer. B Blok Mavi Avlu Kat.4 No: 318 Okmeydanı         | 0212 222 94 18 |
| 39 İstanbul   | Fırat Dış Ticaret          | Tersane Cad. Kuthan No: 38 Kat 3 Karaköy                         | 0212 252 93 43 |
| 40 İstanbul   | Kardeşler Bobinaj          | Çağlayan Mah. Sinanpaşa Cad.No: 5 Çağlayan                       | 0212 224 97 54 |
| 41 İstanbul   | Mert Elektrik              | İkitemelli Org. Demirciler San. Sit. D-2 Blok No: 280 İkitemelli | 0212 549 65 78 |
| 42 İstanbul   | Svs Teknik                 | İstasyon Cad. Gibtaş San. Sit. F Blok No: 24 Tuzla               | 0216 446 69 39 |
| 43 İstanbul   | Tarık Makina               | Bağdat Cad. Adalı Sok. No: 8 Maltepe                             | 0216 441 05 59 |
| 44 İstanbul   | Tekniker Bobinaj           | Birik San. Sit. 1. Cad. K.Dükkanlar No: 15 Beylikdüzü            | 0212 875 17 78 |
| 45 İstanbul   | Orijinal Elektrik          | Bağlar Mah. Mimar Sinan Cad. No:24 Güneşli                       | 0212 515 67 71 |
| 46 İzmir      | Birik Bobinaj              | 2824 Sok. No: 18/1. San. Sit. Halkapınar                         | 0232 458 39 42 |
| 47 İzmir      | Boro Civata                | 1203/2 Sok. No: 21-B Yenışehir                                   | 0232 469 80 70 |
| 48 İzmir      | Çüneyt Bobinaj             | Cüneyt Bey Mah. İbrahim Turan Cad. No 98/A Menderes              | 0232 782 10 84 |
| 49 İzmir      | Doruk Hirdavat             | 1426 Sok. No: 14 Hurdacılar Sitesi Doğanlar Bornova              | 0232 478 14 12 |
| 50 Karaman    | Özüm Elektrik Bobinaj      | Yeni San. Sit. 735. Sok. No: 2                                   | 0338 212 32 69 |
| 51 Kastamonu  | Teknik Bobinaj             | İnönü Mah. Inebolu Cad. No: 132                                  | 0366 212 62 26 |
| 52 Kayseri    | Akın Elektrik Bobinaj      | Eski San. Bölgesi 5. Cad. No: 8                                  | 0352 336 41 23 |
| 53 Kırklareli | Tarık Elektronik           | K.İbrahim Mah. M.Kemal Bulvarı No: 72/C                          | 0288 214 19 72 |
| 54 Kırklareli | Yalçın Bobinaj             | Yeni San. Sit. C3 Blok No:55 Lüleburgaz                          | 0288 412 41 97 |
| 55 Kocaeli    | Efe Elektrik Bobinaj       | Körfez San. Sit. 12. Blok No: 13                                 | 0262 335 18 94 |
| 56 Kocaeli    | Gülsoy Bobinaj             | S.Orhan Mah. İlyasbey Cad.1111 Sk No: 5/1 Gebze                  | 0262 646 92 49 |
| 57 Kocaeli    | Teknik Karot               | Gaziler Mah. İbrahimaga Cad. No:125 Gebze                        | 0262 642 79 10 |
| 58 Konya      | Meb. Murat Elk. Bobinaj    | Karatay San. Sit. Fatih Mah. Çiçekli Sok. No: 10                 | 0332 235 64 63 |
| 59 Konya      | Sözenerler Bobinaj         | Fevzi Çakmak Mah. Komsan İş Merkezi Anamur 10562 Sok. No:8       | 0332 342 63 18 |
| 60 Kütahya    | Doğan Bobinaj              | Yeni San. Sit. 19. Sok: 28/1                                     | 0274 231 22 00 |
| 61 Malatya    | Özer Bobinaj               | Yeni San. Sit. 2. Cad. No: 95                                    | 0422 336 39 53 |
| 62 Manisa     | Çavuş Bobinaj              | Kurtuluş Mah. Fatih Cad. No: 44/A Soma                           | 0236 614 13 78 |
| 63 Manisa     | Uslu Bobinaj Ve Makina     | Güzelyurt Mah. Kenan Evren San. Sit. 5309 Sok. No: 63/A          | 0236 236 33 86 |
| 64 Mersin     | Şekierler Elektrik Bobinaj | Nusratiye Mah. 5005 Sok. No: 20/A                                | 0324 336 70 98 |
| 65 Mersin     | Üniversal Bobinaj          | Nusratiye Mah. Çiftçiler Cad.68 Sok. No: 19                      | 0324 233 44 29 |
| 66 Muğla      | Bodrum Makina              | Türkuyusu Mah.San. Sit. Ethem Demiroz Sok. No: 8 Bodrum          | 0252 316 28 51 |
| 67 Muğla      | General Elektrik Bobinaj   | Taşyaka Mah. San. Sit. 260. Sok. No: 18 Fethiye                  | 0252 612 38 34 |
| 68 Muğla      | Başaran Teknik             | Beldibi Cad. Sanayi Girişi No: 5/C Marmaris                      | 0252 419 20 29 |
| 69 Muğla      | Öztürk Bobinaj             | Atakent Mah. Çevreyolu Üzeri Dalaman                             | 0252 697 64 98 |
| 70 Nevşehir   | Çiftgüç Soğutma            | Yeni San. Sit. 8. Blok No: 28                                    | 0384 213 19 96 |
| 71 Niğde      | Emek Motor                 | Eski San. Çarşısı 1.Blok No: 2                                   | 0388 232 83 59 |
| 72 Sakarya    | Enğin Elektrik Bobinaj     | Maltepe Mah. Orhan Gazi Cad. Şehit Metin Akkuş Sok. No: 19       | 0264 291 05 67 |
| 73 Samsun     | Akış Bobinaj               | Ulus Cad.San. Sit. Keresteciler Kısmı No: 40                     | 0362 238 07 23 |
| 74 Sivas      | Bayraktar Elektrik         | Yeni Çarşısı No: 72/C  | 0346 221 47 55 |
| 75 Şanlıurfa  | Ay Elektrik                | Samsat Kapı Aşağıroğlu Garajı No: 19                             | 0414 215 74 76 |
| 76 Tekirdağ   | Birkan Teknik              | Şeyhinsin Mah. Ş.Pilot.İ.Aksoy Sok. Aksoy Psj. No: 20/7-B ÇORLU  | 0282 654 50 91 |
| 77 Tekirdağ   | Çetin Elektrik Bobinaj     | 100.Yıl San. Sit. 14B Blk. No: 10                                | 0282 263 86 60 |
| 78 Tokat      | Çetin Elektrik Bobinaj     | San. Sit. Camii Altı No: 22                                      | 0356 214 63 07 |
| 79 Trabzon    | Akay Bobinaj Makina        | Yaylaçık Mah.Tosun San Sit No: 3 Akçaabat                        | 0462 222 54 26 |
| 80 Trabzon    | Makina Market              | Rize Cad. No: 71 Değirmendere                                    | 0462 328 14 80 |
| 81 Uşak       | Zengin Bobinaj             | İsice Mah. Ürem Sok. No: 10/C                                    | 0276 227 27 46 |
| 82 Van        | Özen Elektrik Bobinaj      | Algeçik Pasajı No: 41  | 0432 214 22 20 |
| 83 Yalova     | Deniz El. Ser. Hizmetleri  | Hürriyet Mah. Eski Bursa Cad. No: 39 Altınova                    | 0226 461 22 43 |
| 84 Zonguldak  | Genel Elektromotor         | Çınarpete Mah.T.T.K 69 Ambarları 4. Kısım                        | 0372 268 08 64 |
| 85 Zonguldak  | Tümen Makina               | Kışla Sanayi Sit. D Blok No: 17 Kdz.Ereğli                       | 0372 323 74 97 |

KALE HIRDAVAT VE MAKİNA A.Ş. SERVİS MÜDÜRLÜĞÜ TEL. 0212 533 98 34

Partial support - Only parts shown available  
 Nur die aufgeführten teile sind lieferbar  
 Reparation partielle - Seules les pieces indiquees sont disponibles  
 Supporto parziale - Sono disponibili soltanto le parti evidenziate  
 Solo estan disponibles las peizas listadas  
 So se encontram disponibles as pecas listadas  
 Gedeeltelijke ondersteuning - alleen de getoonde onderdelen  
 zijn beschikbaar

