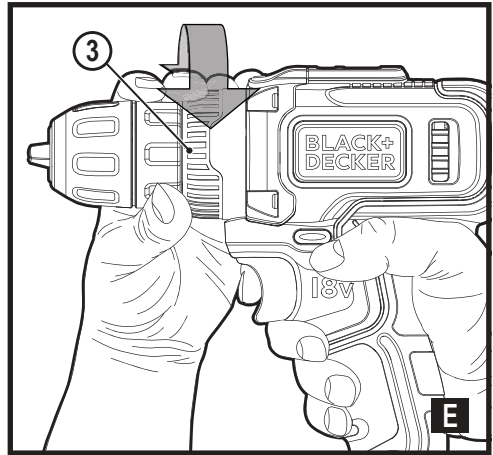
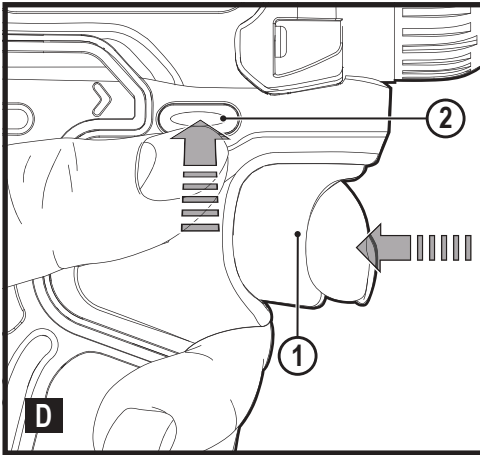
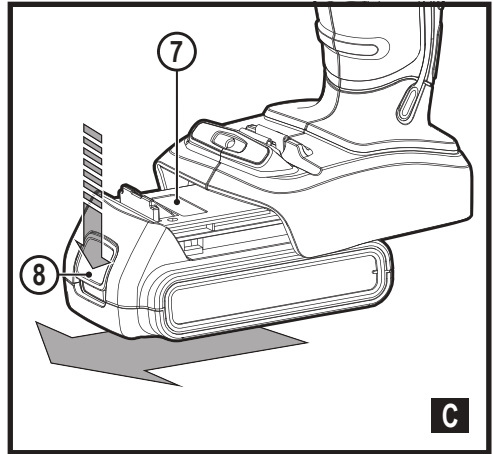
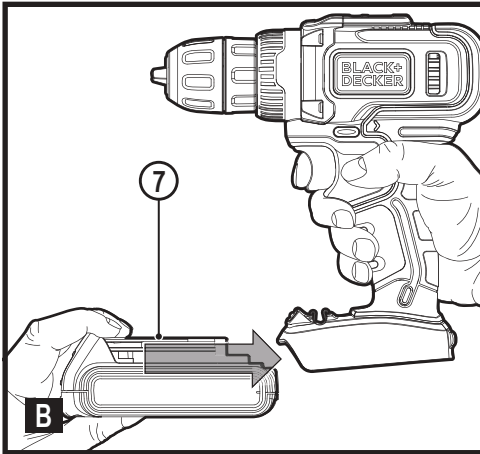
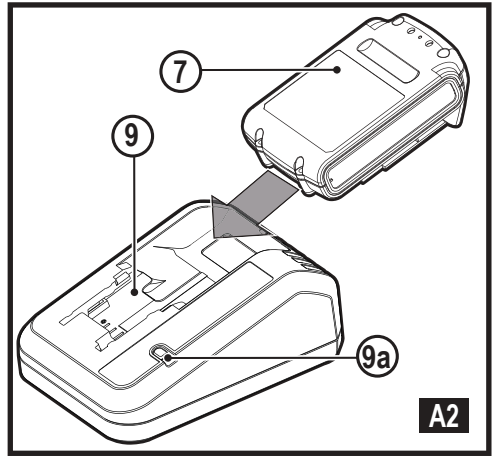
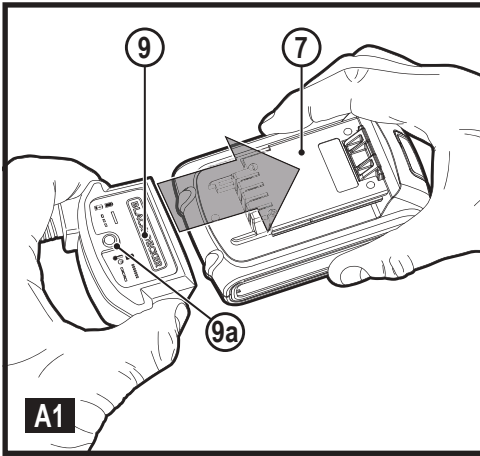
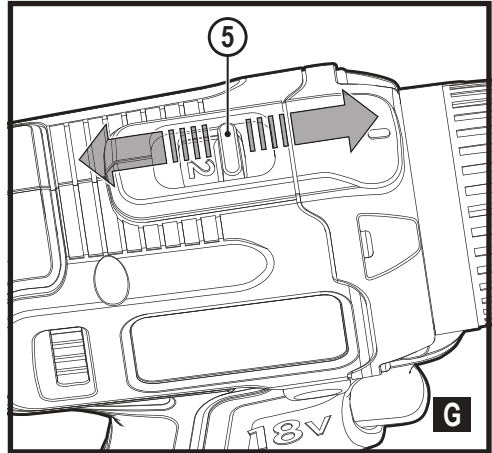
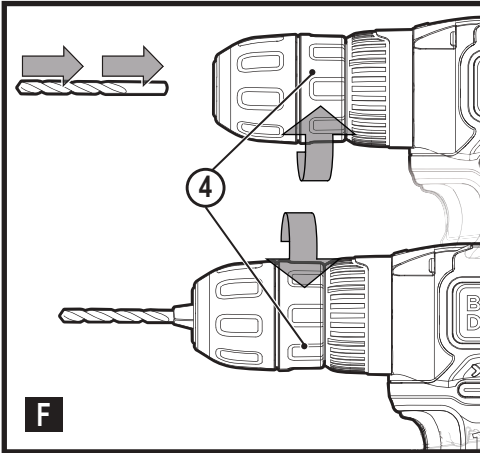


**EBCD703**

**English 03**

**한국어 10**





## Intended use

Your BLACK+DECKER EBCD703 - Drill, has been designed for screwdriving applications and for drilling in wood, metal and plastic. This tool is intended for consumer use only.

## Safety instructions

### General power tool safety warnings



**Warning! Read all safety warnings and all instructions.** Failure to follow the warnings and instructions listed below may result in electric shock, fire and/or serious injury.

### Save all warnings and instructions for future reference.

The term "power tool" in all of the warnings listed below refers to your mains operated (corded) power tool or battery operated (cordless) power tool.

#### 1. Work area safety

- Keep work area clean and well lit.** Cluttered or dark areas invite accidents.
- Do not operate power tools in explosive atmospheres, such as in the presence of flammable liquids, gases or dust.** Power tools create sparks which may ignite the dust or fumes.
- Keep children and bystanders away while operating a power tool.** Distractions can cause you to lose control.

#### 2. Electrical safety

- Power tool plugs must match the outlet. Never modify the plug in any way. Do not use any adapter plugs with earthed (grounded) power tools.** Unmodified plugs and matching outlets will reduce risk of electric shock.
- Avoid body contact with earthed or grounded surfaces such as pipes, radiators, ranges and**

**refrigerators.** There is an increased risk of electric shock if your body is earthed or grounded.

- Do not expose power tools to rain or wet conditions.** Water entering a power tool will increase the risk of electric shock.
  - Do not abuse the cord. Never use the cord for carrying, pulling or unplugging the power tool. Keep cord away from heat, oil, sharp edges or moving parts.** Damaged or entangled cords increase the risk of electric shock.
  - When operating a power tool outdoors, use an extension cord suitable for outdoor use.** Use of a cord suitable for outdoor use reduces the risk of electric shock.
  - If operating a power tool in a damp location is unavoidable, use a residual current device (RCD) protected supply.** Use of an RCD reduces the risk of electric shock.
- #### 3. Personal safety
- Stay alert, watch what you are doing and use common sense when operating a power tool. Do not use a power tool while you are tired or under the influence of drugs, alcohol or medication.** A moment of inattention while operating power tools may result in serious personal injury.
  - Use personal protective equipment. Always wear eye protection.** Protective equipment such as dust mask, non-skid safety shoes, hard hat, or hearing protection used for appropriate conditions will reduce personal injuries.
  - Prevent unintentional starting. Ensure the switch is in the off-position before connecting to power source and/or battery pack, picking up or carrying the tool.** Carrying power tools with your finger on the switch or energising power tools that have the switch on invites accidents.

- d. **Remove any adjusting key or wrench before turning the power tool on.** A wrench or a key left attached to a rotating part of the power tool may result in personal injury.
  - e. **Do not overreach. Keep proper footing and balance at all times.** This enables better control of the power tool in unexpected situations.
  - f. **Dress properly. Do not wear loose clothing or jewellery. Keep your hair, clothing and gloves away from moving parts.** Loose clothes, jewellery or long hair can be caught in moving parts.
  - g. **If devices are provided for the connection of dust extraction and collection facilities, ensure these are connected and properly used.** Use of dust collection can reduce dust-related hazards.
  - h. **Do not let familiarity gained from frequent use of tools allow you to become complacent and ignore tool safety principles.** A careless action can cause severe injury within a fraction of a second.
4. **Power tool use and care**
    - a. **Do not force the power tool. Use the correct power tool for your application.** The correct power tool will do the job better and safer at the rate for which it was designed.
    - b. **Do not use the power tool if the switch does not turn it on and off.** Any power tool that cannot be controlled with the switch is dangerous and must be repaired.
    - c. **Disconnect the plug from the power source and/or the battery pack from the power tool before making any adjustments, changing accessories, or storing power tools.** Such preventive safety measures reduce the risk of starting the power tool accidentally.
    - d. **Store idle power tools out of the reach of children and do not allow persons unfamiliar with the power tool or these instructions to operate the power tool.** Power tools are dangerous in the hands of untrained users.
    - e. **Maintain power tools. Check for misalignment or binding of moving parts, breakage of parts and any other condition that may affect the power tools operation. If damaged, have the power tool repaired before use.** Many accidents are caused by poorly maintained power tools.
    - f. **Keep cutting tools sharp and clean.** Properly maintained cutting tools with sharp cutting edges are less likely to bind and are easier to control.
    - g. **Use the power tool, accessories and tool bits etc. in accordance with these instructions, taking into account the working conditions and the work to be performed.** Use of the power tool for operations different from those intended could result in a hazardous situation.
    - h. **Keep handles and grasping surfaces dry, clean and free from oil and grease.** Slippery handles and grasping surfaces do not allow for safe handling and control of the tool in unexpected situations.
  5. **Battery tool use and care**
    - a. **Recharge only with the charger specified by the manufacturer.** A charger that is suitable for one type of battery pack may create a risk of fire when used with another battery pack.
    - b. **Use power tools only with specifically designated battery packs.** Use of any other battery packs may create a risk of injury and fire.
    - c. **When battery pack is not in use, keep it away from other metal objects, like paper clips, coins, keys, nails, screws or other small metal objects, that can make a connection from one terminal to another.** Shorting the battery terminals together may cause burns or a fire.
    - d. **Under abusive conditions, liquid may be ejected from the battery; avoid contact. If contact accidentally occurs, flush with water. If liquid contacts eyes, additionally seek medical help.** Liquid ejected from the battery may cause irritation or burns.
    - e. **Do not use a battery pack or tool that is damaged or modified.** Damaged or modified batteries may exhibit unpredictable behaviour resulting in fire, explosion or risk of injury.
    - f. **Do not expose a battery pack or tool to fire or excessive temperature.** Exposure to fire or temperature above 130 °C may cause explosion.
    - g. **Follow all charging instructions and do not charge the battery pack or tool outside the temperature range specified in the instructions.** Charging improperly or at temperatures outside the specified range may damage the battery and increase the risk of fire.
  6. **Service**
    - a. **Have your power tool serviced by a qualified repair person using only identical replacement parts.** This will ensure that the safety of the power tool is maintained.
    - b. **Never service damaged battery packs.** Service of battery packs should only be performed by the manufacturer or authorized service providers.

## Additional power tool safety warnings

### Drill safety warnings

1. **Safety instructions for all operations**
  - a. **Wear ear protectors when impact drilling.** Exposure to noise can cause hearing loss.
  - b. **Use the auxiliary handle(s).** Loss of control can cause personal injury.
  - c. **Brace the tool properly before use.** This tool produces a high output torque and without properly bracing the tool during operation, loss of control may occur resulting in personal injury.

- d. **Hold the power tool by insulated gripping surfaces, when performing an operation where the cutting accessory or fasteners may contact hidden wiring.** Cutting accessory contacting a "live" wire may make exposed metal parts of the power tool "live" and could give the operator an electric shock.
2. **Safety instructions when using long drill bits**
- a. **Never operate at higher speed than the maximum speed rating of the drill bit.** At higher speeds, the bit is likely to bend if allowed to rotate freely without contacting the workpiece, resulting in personal injury.
- b. **Always start drilling at low speed and with the bit tip in contact with the workpiece.** At higher speeds, the bit is likely to bend if allowed to rotate freely without contacting the workpiece, resulting in personal injury.
- c. **Apply pressure only in direct line with the bit and do not apply excessive pressure.** Bits can bend causing breakage or loss of control, resulting in personal injury.
- ◆ **Use clamps or another practical way to secure and support the workpiece to a stable platform.** Holding the work by hand or against your body leaves it unstable and may lead to loss of control.
  - ◆ Before drilling into walls, floors or ceilings, check for the location of wiring and pipes.
  - ◆ Avoid touching the tip of a drill bit just after drilling, as it may be hot.
  - ◆ The intended use is described in this instruction manual. The use of any accessory or attachment or performance of any operation with this tool other than those recommended in this instruction manual may present a risk of personal injury and/or damage to property.

### Safety of others

- ◆ This tool is not intended for use by persons (including children) with reduced physical, sensory or mental capabilities, or lack of experience and knowledge, unless they have been given supervision or instruction concerning use of the tool by a person responsible for their safety.
- ◆ Children should be supervised to ensure that they do not play with the appliance.

### Residual risks

Additional residual risks may arise when using the tool which may not be included in the enclosed safety warnings. These risks can arise from misuse, prolonged use etc. Even with the application of the relevant safety regulations and the implementation of safety devices, certain residual risks can not be avoided. These include:

- ◆ Injuries caused by touching any rotating/moving parts.
- ◆ Injuries caused when changing any parts, blades or accessories.

- ◆ Injuries caused by prolonged use of a tool. When using any tool for prolonged periods ensure you take regular breaks.
- ◆ Impairment of hearing.
- ◆ Health hazards caused by breathing dust developed when using your tool (example:- working with wood, especially oak, beech and MDF.)

### Labels on tool

The following symbols are shown on the tool along with the date code:



**Warning!** To reduce the risk of injury, the user must read the instruction manual.

### Additional safety instructions for batteries and chargers

#### Batteries

- ◆ Never attempt to open for any reason.
- ◆ Do not expose the battery to water.
- ◆ Do not store in locations where the temperature may exceed 40 °C.
- ◆ Charge only at ambient temperatures between 10 °C and 40 °C.
- ◆ Charge only using the charger provided with the tool.
- ◆ When disposing of batteries, follow the instructions given in the section "Protecting the environment".



Do not attempt to charge damaged batteries.

#### Chargers

- ◆ Use your BLACK+DECKER charger only to charge the battery supplied with the tool. Other batteries could burst, causing personal injury and damage.
- ◆ Never attempt to charge non-rechargeable batteries.
- ◆ Have defective cords replaced immediately.
- ◆ Do not expose the charger to water.
- ◆ Do not open the charger.
- ◆ Do not probe the charger.



The charger is intended for indoor use only.



Read the instruction manual before use.

### Electrical safety



Your charger is double insulated; therefore no earth wire is required. Always check that the mains voltage corresponds to the voltage on the rating plate. Never attempt to replace the charger unit with a regular mains plug.

- ◆ If the supply cord is damaged, it must be replaced by the manufacturer or an authorised BLACK+DECKER Service Centre in order to avoid a hazard.

## Features

This tool includes some or all of the following features.

1. Variable speed switch
2. Forward/reverse slider
3. Torque adjustment collar
4. Keyless chuck
5. Dual range gearing
6. LED work light
7. Battery
8. Battery release button

## Assembly Use

**Warning!** Let the tool work at its own pace. Do not overload.

### Charging the battery (fig. A1, A2)

The battery needs to be charged before first use and whenever it fails to produce sufficient power on jobs that were easily done before. The battery may become warm while charging; this is normal and does not indicate a problem.

**Warning!** Do not charge the battery at ambient temperatures below 10 °C or above 40 °C.

Recommended charging temperature: approx. 24 °C.

**Note: The charger will not charge a battery if the cell temperature is below approximately 10 °C or above 40 °C. The battery should be left in the charger and the charger will begin to charge automatically when the cell temperature warms up or cools down.**

- ◆ Plug the charger (8) into any standard 230 Volts 50 Hz electrical outlet.
- ◆ Slide the battery pack (6) into the charger as shown in figure A1, A2.



The LED (8a) will flash indicating that the battery is being charged.



The completion of charge is indicated by the LED remaining on continuously. The pack is fully charged and may be used at this time or

left on the charger.

**Warning!** fire Hazard. When removing the charger from the battery, be sure to unplug the charger from the outlet first, then remove the battery from the charger.

## Charger diagnostics

This charger is designed to detect certain problems that can arise with the battery packs or the power source. Problems are indicated by one LED flashing in different patterns.

### Bad battery



The charger can detect a weak or damaged battery. The LED flashes in the pattern indicated on the label. If you see this bad battery

blink pattern, do not continue to charge the battery. Return it to a service center or a collection site for recycling.

## Hot/cold pack delay



When the charger detects a battery that is excessively hot or excessively cold, it automatically starts a Hot/Cold Pack Delay, suspending charging until the battery has normalized. After this happens, the charger automatically switches to the Pack Charging mode. This feature ensures maximum battery life. The light flashes in the pattern indicated on the label.

## Leaving the battery in the charger

The charger and battery pack can be left connected with the LED glowing indefinitely. The charger will keep the battery pack fresh and fully charged. This charger features an automatic tune-up mode which equals or balances the individual cells in the battery pack to allow it to function at peak capacity. Battery packs should be tuned up weekly or whenever the battery no longer delivers the same amount of work. To use the automatic tune-up mode, place the battery pack in the charger and leave it for at least 8 hours.

## Important charging notes

- ◆ Longest life and best performance can be obtained if the battery pack is charged when the air temperature is between 18 ° – 24 °C. DO NOT charge the battery pack in an air temperature below +4.5 °C), or above +40 °C. This is important and will prevent serious damage to the battery pack.
- ◆ The charger and battery pack may become warm to the touch while charging. This is a normal condition, and does not indicate a problem. To facilitate the cooling of the battery pack after use, avoid placing the charger or battery pack in a warm environment such as in a metal shed or an uninsulated trailer.
- ◆ If the battery pack does not charge properly:
  - ◆ Check operation of receptacle by plugging in a lamp or other appliance;
  - ◆ Check to see if receptacle is connected to a light switch which turns power off when you turn out the lights;
  - ◆ Move the charger and battery pack to a location where the surrounding air temperature is approximately 18 ° – 24 °C;
  - ◆ If charging problems persist, take the tool, battery pack and charger to your local service center.
- ◆ The battery pack should be recharged when it fails to produce sufficient power on jobs which were easily done previously. DO NOT CONTINUE to use under these conditions. Follow the charging procedure. You may also charge a partially used pack whenever you desire with no adverse effect on the battery pack.

- ◆ Foreign materials of a conductive nature such as, but not limited to, grinding dust, metal chips, steel wool, aluminum foil, or any buildup of metallic particles should be kept away from charger cavities. Unplug the charger before attempting to clean.
- ◆ Do not freeze or immerse the charger in water or any other liquid.

### Installing and removing the battery pack from the tool (fig. B, C)

**Warning!** Make certain the lock-off button (2) is engaged to prevent switch actuation before removing or installing battery. To install battery pack:

- ◆ Insert battery pack (7) into tool, until an audible click is heard (fig. B)

### Removing the battery pack from the tool (fig. C)

- ◆ Depress the battery release button (8) as shown in (fig. C) and pull battery pack (7) out of tool.

## Operating Instructions

### Trigger switch & reversing button (fig. D)

- ◆ The drill is turned ON and OFF by pulling and releasing the trigger switch (1). The farther the trigger is depressed, the higher the speed of the drill.
- ◆ A forward/reverse control button (2) determines the direction of the tool and also serves as a lock off button.
- ◆ To select forward rotation, release the trigger switch and depress the forward/reverse control button (2) to the left.
- ◆ To select reverse, depress the forward/reverse control button the opposite direction.

**Note:** The center position of the control button locks the tool in the off position. When changing the position of the control button, be sure the trigger is released.

### Torque control (fig.E)

This tool is fitted with a torque adjustment collar (3) to select the operating mode and to set the torque for tightening screws. Large screws and hard workpiece materials require a higher torque setting than small screws and soft workpiece materials.

- ◆ For drilling in wood, metal and plastics, set the collar to the drilling position symbol
- ◆ For screwdriving, set the collar to the desired setting. If you do not yet know the appropriate setting, proceed as follows:
  - ◆ Set the collar to the lowest torque setting.
  - ◆ Tighten the first screw.
  - ◆ If the clutch ratchets before the desired result is achieved, increase the collar setting and continue tightening the screw. Repeat until you reach the correct setting. Use this setting for the remaining screws.

### Keyless chuck (fig. F)

**Warning!** Make certain the lock-off button (2) is engaged to prevent switch actuation before installing or removing accessories.

To insert a drill bit or other accessory:

- ◆ Grasp the rear half of the chuck (4) with one hand and use your other hand to rotate the front half in the counterclockwise direction, as viewed from the chuck end.
- ◆ Insert the bit or other accessory fully into the chuck, and tighten securely by holding the rear half of the chuck and rotating the front portion in the clockwise direction as viewed from the chuck end.

**Warning!** Do not attempt to tighten drill bits (or any other accessory) by gripping the front part of the chuck and turning the tool on. Damage to the chuck and personal injury may occur when changing accessories.

### Dual range gearing (Figure G)

The dual range feature of your drill allows you to shift gears for greater versatility. To select low speed, high torque setting (position 1), turn tool off and permit to stop. Slide gear shifter button (5) away from the chuck. To select the high speed, low torque setting (position 2), turn tool off and permit to stop. Slide gear shifter button towards the chuck.

**Note:** Do not change gears when tool is running.

If you are having trouble changing gears, make sure that the dual range gear button is either completely pushed forward or completely pushed back.

### Drilling/screwdriving

- ◆ Select forward or reverse rotation using the forward/reverse slider (2).
- ◆ To switch the tool on, press the switch (1). The tool speed depends on how far you press the switch.
- ◆ To switch the tool off, release the switch.

## Hints for optimum use

### Drilling

- ◆ Use sharp drill bits only.
- ◆ Support and secure work properly, as instructed in the Safety Instructions.
- ◆ Use appropriate and required safety equipment, as instructed in the Safety Instructions.
- ◆ Secure and maintain work area, as instructed in the Safety Instructions.
- ◆ Run the drill very slowly, using light pressure, until the hole is started enough to keep the drill bit from slipping out of it.
- ◆ Apply pressure in a straight line with the bit. Use enough pressure to keep the bit biting but not so much as to stall the motor or deflect the bit.
- ◆ Hold the drill firmly with two hands to control its twisting action.
- ◆ **DO NOT CLICK THE TRIGGER OF A STALLED DRILL**

**OFF AND ON IN AN ATTEMPT TO START IT. DAMAGE TO THE DRILL CAN RESULT.**

- ◆ Minimize stalling on breakthrough by reducing pressure and slowly drilling through the last part of the hole.
- ◆ Keep the motor running while pulling the bit out of a drilled hole. This will help reduce jamming.
- ◆ Make sure switch turns drill on and off.

**Drilling in wood**

Holes in wood can be made with the same twist drill bits used for metal or with spade bits. These bits should be sharp and should be pulled out frequently when drilling to clear chips from the flutes.

**Drilling in metal**

Use a cutting lubricant when drilling metals. The exceptions are cast iron and brass which should be drilled dry. The cutting lubricants that work best are sulfurized cutting oil or lard oil.

**Screwdriving**

- ◆ Always use the correct type and size of screwdriver bit.
- ◆ If screws are difficult to tighten, try applying a small amount of washing liquid or soap as a lubricant.
- ◆ Always hold the tool and screwdriver bit in a straight line with the screw

**Troubleshooting**

Problem	Possible cause	Possible solution
Unit will not start.	Battery pack not charged.	Check battery pack charging requirements
Battery pack will not charge.	Charger not plugged in.	Plug charger into a working outlet.
	Surrounding air temperature too hot or too cold.	Move charger and battery pack to a surrounding air temperature of above 40 degrees F (45°C) or below 105 degrees F (+40.5°C)
Unit shuts off abruptly.	Battery pack has reached its maximum thermal limit.	Allow battery pack to cool down.
	Out of charge. (To maximize the life of the battery pack it is designed to shutoff abruptly when the charge is depleted)	Place on charger and allow to charge.

**Maintenance**

Your BLACK+DECKER tool has been designed to operate over a long period of time with a minimum of maintenance. Continuous satisfactory operation depends upon proper tool care and regular cleaning.

Your charger does not require any maintenance apart from regular cleaning.

**Warning!** Before performing any maintenance on the tool, remove the battery from the tool. Unplug the charger before cleaning it.

- ◆ Regularly clean the ventilation slots in your tool and charger using a soft brush or dry cloth.
- ◆ Regularly clean the motor housing using a damp cloth. Do not use any abrasive or solvent-based cleaner.
- ◆ Regularly open the chuck and tap it to remove any dust from the interior.

**Protecting the environment**



Separate collection. Products and batteries marked with this symbol must not be disposed of with normal household waste.

Products and batteries contain materials that can be recovered or recycled, reducing demand for raw materials.

Please recycle electrical products and batteries according to local provisions. Further information is available at [www.2helpU.com](http://www.2helpU.com)

**Technical data**

EBCD703		
Voltage	V <sub>DC</sub>	18V (20V Max)
No-load speed	Min <sup>-1</sup>	0-360/ 0-1400
Max. torque	Nm	38
Chuck capacity	mm	1-10
<b>Max Drilling capacity</b>		
Steel/wood	mm	10/25
Weight	kg	0.9

Charger				
Input voltage	V <sub>AC</sub>	220	220	220
Output voltage	V <sub>DC</sub>	24	18	18
Current		400mA	1A	2A
Approx. charge time	Hours	4-5	1.5-2	0.5-1

Battery		BL2018*	BL1518*
Voltage	V <sub>AC</sub>	20	20
Capacity	Ah	2.0	1.5
Type		Li-Ion	Li-Ion



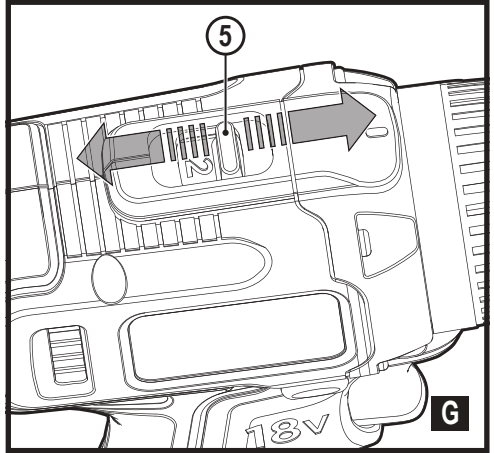
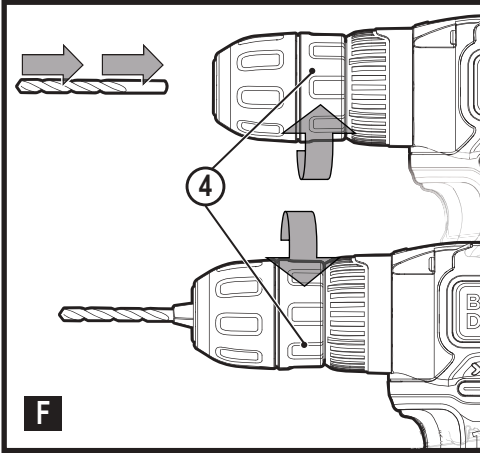
## Service Information

BLACK+DECKER offers a full network of company-owned and authorized service locations throughout Asia. All BLACK+DECKER Service Centers are staffed with trained personnel to provide customers with efficient and reliable product service.

Whether you need technical advice, repair, or genuine factory replacement parts, contact the BLACK+DECKER location nearest to you.

## Note

- ◆ BLACK+DECKER's policy is one of continuous improvement to our products and, as such, we reserve the right to change product specifications without prior notice.
- ◆ Standard equipment and accessories may vary by country.
- ◆ Product specifications may differ by country.
- ◆ Complete product range may not be available in all countries. Contact your local BLACK+DECKER dealers for range availability.



**용도**

BLACK+DECKER EBCD703 - 드릴은 나사를 조이는 용도뿐만 아니라 나무, 금속 및 플라스틱과 석재 드릴용으로 설계되었습니다. 본 공구는 전문가 및 일반 소비자용입니다.

**안전 지침**

**전동 공구에 관한 일반 안전 경고**



**경고!** 안전 경고와 지시 사항을 모두 읽으십시오. 아래 나열된 경고와 지시 사항을 준수하지 않으면 감전, 화재 및/또는 심각한 부상을 초래할 수 있습니다.

항후 참고할 수 있도록 모든 경고 및 지시 사항을 보관해두십시오. 아래의 모든 경고에서 사용된 "전동 공구" 라는 말은 주공급 전원에 의해 전기가 공급되는 (유선) 전동 공구 또는 충전식 (무선) 전동 공구를 의미합니다.

**1. 작업장 안전**

- a. 작업장을 항상 청결하고 밝게 유지하십시오. 혼잡하거나 어두운 작업장에서는 사고가 발생하기 쉽습니다.
- b. 가연성 액체, 가스 또는 먼지 등 폭발성 물질이 있는 공간에서는 전동공구 사용을 자제하십시오. 전동 공구에서 먼지나 가스를 발화시킬 수 있는 불꽃이 될 수 있습니다.
- c. 전동공구를 사용하는 공간에는 어린이 또는 주변 사람들이 가까이 오지 못하도록 하십시오. 주변이 산만해져 통제력을 잃을 수 있습니다.

**2. 전기 안전**

- a. 전동공구의 플러그는 콘센트와 형식이 일치해야 하며, 플러그를 어떤 형태로든 개조하지 마십시오. 또한 접지된 전동공구에 다른 아댑터 플러그를 사용 하지 마십시오.

개조되지 않은 플러그 및 형식이 일치 하는 콘센트를 사용하면 감전 위험이 줄어듭니다.

- b. 파이프 콘, 라디에이터, 렌지, 냉장고 등의 접지 표면에 물이 닿지 않도록 하십시오. 몸에 닿을 경우 감전이 될 위험이 높아집니다.
- c. 전동 공구를 비 또는 습한 환경에 노출하지 않도록 주의하십시오. 전동 공구에 물이 들어가면 감전 위험이 높아집니다.
- d. 코드를 함부로 다루지 마십시오. 코드를 사용하여 전동 공구를 운반하거나 잡아당기거나 플러그를 뽑지 마십시오. 전열코드가 열기 또는 오일과 접촉 되는 것을 피하고, 날카로운 모서리 또는 기기의 기동 부위에 닿지 않도록 주의 하십시오. 코드가 손상되거나 얽혀 있으면 감전 위험이 높아집니다.
- e. 전동 공구를 실외에서 사용할 때는 실외 사용에 적합한 연장 코드를 사용하십시오. 실외 사용에 적합한 코드를 사용하면 감전 위험이 줄어듭니다.
- f. 전동 공구를 습기 있는 장소에서 사용할 경우, 누전 차단기 (RCD)로 보호된 전원 공급 장치를 사용하십시오. RCD 를 사용하면 감전 위험이 줄어듭니다.

**3. 신체 안전 사항**

- a. 전동 공구로 작업할 때는 방심하지 말고 작업에 주의하면서 상식에 따르십시오. 피곤한 상태이거나 약물, 술, 치료제를 복용한 상태에서는 전동 공구를 사용하지 마십시오. 전동 공구를 사용하는 중에 주의력을 잃어 순간적으로 부상을 당할 수 있습니다.
- b. 신체 보호 장비를 착용하십시오. 항상 보안경을 착용하십시오. 적합한 상황에서 방진 마스크, 미끄럼 방지 안전화, 안전모 또는 청력 보호 기구 등의 보호 장비를 사용하면 신체 부상 위험이 줄어듭니다.
- c. 의도하지 않은 장비 가동 방지, 전원 및/또는 배터리 팩에 연결한 상태로 공구를 선택 또는 운반할 때는 사전에

스위치가 꺼짐 위치에 있는지 반드시 확인하십시오.

스위치가 켜짐 위치에 있는 상태에서 스위치가 손가락이 닿은 상태로 전동 공구를 운반하거나 전동 공구에 전원을 공급하면 사고가 발생합니다.

- d. 전동 공구를 켜기 전에 모든 조정 키 또는 렌치를 제거하십시오. 전동 공구의 회전 부품에 렌치나 키가 부착되어 있으면 부상을 당할 수 있습니다.
  - e. 무리하게 팔을 뻗지 마십시오. 항상 올바른 자세로 서서 균형을 유지하십시오. 안정된 자세로 작업을 할 경우 전동 공구를 안전하게 사용할 수 있습니다.
  - f. 적절한 작업복을 착용하십시오. 헐렁한 옷이나 장신구를 착용하지 마십시오. 머리카락, 옷 및 장갑이 움직이는 부품에 닿지 않도록 유의하십시오. 헐렁한 옷, 장신구 또는 긴 머리가 움직이는 부품에 걸 수 있습니다.
  - g. 먼지 배출 및 집진 시설 연결을 위한 장치가 제공된 경우, 이를 장치가 연결되어 적절히 사용되고 있는지 반드시 확인하십시오. 집진 장치를 사용하면 먼지와 관련된 위험을 줄일 수 있습니다.
  - h. 장치를 자주 사용함으로써 생긴 익숙함으로 인해 현실에 안주하거나 공구 안전 원칙을 무시하지 않도록 하십시오. 부주의한 작동은 순식간에 심각한 부상을 야기할 수 있습니다.
4. 전동 공구 사용 및 관리
    - a. 전동 공구에 무리한 힘을 가하지 마십시오. 해당 용도에 맞는 올바른 전동 공구를 사용하십시오. 올바른 전동 공구를 사용하여 설계된 속도로 작업을 더욱 안전하고 정확하게 수행할 수 있습니다.
    - b. 켜지지 않거나 꺼지지 않는 경우 전동 공구를 사용하지 마십시오. 스위치로 제어되지 않는 전동 공구는 위험하므로 수리해야 합니다.
    - c. 전동 공구를 조정하거나 액세서리를 변경하거나 보관하기 전에 전원 및/또는 배터리 팩에서 플러그를 뽑으십시오. 이러한 예방적 안전 조치를 따라야 전동 공구가 갑자기 작동할 위험이 줄어듭니다.
    - d. 사용하지 않는 전동 공구는 어린이의 손이 닿지 않는 곳에 보관하고, 전동 공구나 본 지시 사항에 익숙하지 않은 사람이 전동 공구를 절대 사용하지 못하게 하십시오. 전동 공구에 대한 훈련을 받지 않은 사용자가 전동 공구를 함부로 다룰 경우 예기치 않은 사고를 초래 할 수 있습니다
    - e. 전동 공구 유지 보수. 움직이는 부품의 잘못된 정렬이나 바인딩, 부품 파손 및 기타 전동 공구의 작동에 영향을 미칠 수 있는 상태가 있는지 확인하십시오. 손상된 부분이 있는 경우 사용하기 전에 전동 공구를 수리하십시오. 많은 사고는 전동 공구를 제대로 유지 보수하지 않아 발생합니다.
    - f. 절단 공구를 예리하고 깨끗한 상태로 유지하십시오. 절삭 가장자리를 예리하게 잘 유지하면 절삭기를 사용할 때 바인딩이 적고 다루기가 용이합니다.
    - g. 작업 환경과 수행할 작업을 고려하여, 본 지시 사항에 따라 전동 공구, 액세서리 및 톨 비트 등을 사용하십시오. 본 사용 설명서의 내용과 다른 용도로 전동 공구를 사용하면 위험한 상황이 발생할 수 있습니다.

- h. 핸들과 잡는 표면은 건조하고 깨끗한 상태를 유지하고 오일/기름이 묻지 않도록 하십시오. 미끄러운 핸들과 잡는 면은 예기치 못한 상황에서 안전한 취급과 공구 관리를 보장하지 않습니다.

## 5. 배터리 공구 사용 및 관리

- a. 충전할 때는 제조업체에서 지정한 충전기만 사용하십시오. 하나의 배터리 팩 유형에 적합한 충전기를 다른 배터리 팩과 함께 사용할 경우 화재의 위험이 있습니다.
- b. 전동 공구를 사용할 때는 구체적으로 지정되어 있는 배터리 팩만 사용하십시오. 다른 배터리 팩을 사용하면 부상을 입거나 화재의 위험이 있습니다.
- c. 배터리 팩을 사용하지 않을 때에는 클립, 동전, 키, 못, 나사 등의 금속 물체나, 단자 간에, 연결할 수 있는 작은 금속 물체가 닿지 않도록 멀리 두십시오. 배터리 단자가 단락되면 화상을 입거나 화재가 발생할 위험이 있습니다.
- d. 배터리를 과다 사용하면 액체가 배터리에서 흘러 나올 수 있으므로 접촉을 피하십시오. 실수로 접촉한 경우에는 물로 씻으십시오. 액체가 눈에 들어간 경우 치료를 받으십시오. 배터리에서 나온 액체는 통증을 유발하거나 화상을 입힐 수 있습니다.
- e. 손상되었거나 개조 된 배터리 팩이나 도구를 사용하지 마십시오. 손상되거나 개조 된 배터리는 예측할 수 없는 동작을 보여 화재, 폭발 또는 부상의 위험이 있습니다.
- f. 배터리 팩이나 공구를 불이나 과도한 온도에 노출시키지 마십시오. 화재 나 130 °C 이상의 온도에 노출되면 폭발 할 수 있습니다.
- g. 모든 충전 지침을 따르고 지침에 지정된 온도 범위를 벗어난 배터리 팩 또는 공구를 충전하지 마십시오. 잘못 충전 또는 지정된 범위를 벗어난 온도는 배터리를 손상시키고 화재의 위험을 증가시킬 수 있습니다.

## 6. 정비

- a. 자격을 갖춘 기술자가 동일 교체 부품을 사용하여 정비 작업을 수행해야 합니다. 그렇게 함으로써 전동 공구의 안전성을 오래 유지 할 수 있습니다.
- b. 손상된 배터리 팩을 정비하지 마십시오. 배터리 팩은 제조업체 또는 공인 서비스 공급업체를 통해서만 점검을 받아야 합니다.

## 전동 공구에 관한 추가 안전 경고

### 드릴 안전 경고

#### 1. 모든 작업에 대한 안전 지침

- a. 임팩트 드릴 사용 시 귀 보호 장비를 착용하십시오. 소음에 노출되면 청력이 손상될 수 있습니다.
- b. 보조 손잡이를 사용하십시오. 제어력을 잃으면 신체 부상을 당할 수 있습니다.
- c. 사용하기 전에 공구를 올바르게 고정하십시오. 이 공구는 높은 출력 토크를 생성하며 작동 중에 공구를 제대로 보강하지 않으면 제어력 상실이 발생하여 부상을 입을 수 있습니다.
- d. 절삭 액세서리가 숨겨진 배선에 접촉할 수 있는 작업을 수행

**할 때는 절연된 손잡이 부분을 이용해 전동 공구를 쥐십시오.** "전류가 흐르는" 전선에 접촉된 절삭 액세서리는 전동 공구의 노출된 금속 부분을 "전류가 흐르는" 상태로 만들어 작업자를 감전시킬 수 있습니다.

**2. 긴 드릴 비트를 사용할 때 안전 지침**

- a. **드릴 비트의 최대 속도 등급보다 높은 속도로 작동하지 마십시오.** 고속 작동중에서 공작물에 닿지 않고 자유롭게 회전하면 비트가 구부러져 부상을 입을 수 있습니다.
  - b. **항상 저속으로 비트 팁이 가공물에 닿아 서 드릴링을 시작하십시오.** 고속 작동중에서 공작물에 닿지 않고 자유롭게 회전하면 비트가 구부러져 부상을 입을 수 있습니다.
  - c. **비트와 일직선으로 만 압력을 가하고 과도한 압력을 가하지 마십시오.** 비트가 구부러 지거나 제어력이 상실되어 부상을 입을 수 있습니다.
- ◆ **클램프 또는 다른 적절한 방식을 사용하여 안정된 작업대에 작업 공구를 고정 및 지지하십시오.** 작업물을 손으로 잡거나 몸으로 지탱하는 행동은 불안정하여 제어력을 잃을 수 있습니다.
  - ◆ **벽, 바닥 또는 천장에 드릴 작업을 하기 전에 배선 및 파이프의 위치를 확인하십시오.**
  - ◆ **드릴 작업을 한 후에는 드릴 끝이 뜨거울 수 있으므로 만지지 마십시오.**
  - ◆ **본 사용 설명서에 제품의 용도가 설명되어 있습니다.** 본 사용 설명서에서 권장하는 방식 이외의 다른 방식으로 본 공구를 조작하거나 액세서리 또는 부착물을 사용하는 경우 신체 부상의 위험이 있거나 재산상의 손해가 발생할 수 있습니다.

**다른 사람들의 안전**

- ◆ 이 제품은 신체, 지각 또는 정신 능력이 낮거나 경험 및 지식이 부족한 사람(어린이 포함)이 사용하도록 설계되지 않았습니다. 이러한 사람이 사용할 때는 안전 책임자의 감독 또는 제품 사용과 관련된 지시 사항이 필요합니다.
- ◆ 어린이가 본 제품을 가지고 놀지 못하도록 항상 주시해야 합니다.

**기타 발생 가능한 위험**

- 공구를 사용할 때 동봉된 안전 경고에 포함되어 있지 않은 기타 발생 가능한 위험들이 발생할 수 있습니다. 이러한 위험은 오용, 장시간 사용 등으로 인해 발생할 수 있습니다. 관련된 안전 규정을 준수하고 안전 장치를 사용한다고 해도 어떤 위험들은 피하지 못할 수도 있습니다. 이러한 위험으로는 다음과 같은 것들이 있습니다.
- ◆ 회전 부품이나 작동 부품을 만져 발생하는 부상.
  - ◆ 부품, 톱날 또는 액세서리 변경으로 인한 부상.
  - ◆ 장시간에 걸친 공구 사용으로 인한 부상. 어떤 공구이든 장시간에 걸쳐 사용할 때는 반드시 정기적인 휴식을 취하십시오.
  - ◆ 청력 손상.
  - ◆ 공구 사용 중에 발생하는 먼지를 호흡하여 유발되는 건강 위해성(예: 목재, 특히 오크, 너도밤나무 및 MDF 가공 작업).

**공구 라벨**

공구에는 공구에 표시된 날자 코드와 함께 다음과 같은 그림 문자가 있습니다.



**경고!** 부상 위험을 줄이려면 사용자는 사용 설명서를 주의 깊게 읽어야 합니다.

**배터리와 충전기 관련 추가 안전 지시 사항**

**배터리**

- ◆ 어떤 이유로든 배터리 팩을 절대 열려고 하지 마십시오.
- ◆ 배터리에 물이 닿지 않도록 하십시오.
- ◆ 온도가 40 °C 를 초과할 수 있는 곳에 보관하지 마십시오.
- ◆ 주변 온도가 10 °C - 40 °C 사이에 있을 때에만 충전하십시오.
- ◆ 충전할 때는 이 공구와 함께 제공된 충전기만 사용해야 합니다.
- ◆ 배터리를 폐기할 때는 "환경 보호" 섹션에 나와 있는 지시 사항을 따르십시오.



손상된 배터리를 충전하지 마십시오.

**충전기**

- ◆ 제품과 함께 제공된 배터리를 충전할 때는 **BLACK+DECKER** 충전기만 사용하십시오. 다른 배터리를 사용하면 배터리가 폭발하여 신체 부상을 당하거나 손해를 입을 수 있습니다
- ◆ 절대로 비충전식 배터리를 충전하려고 하지 마십시오.
- ◆ 손상된 코드는 즉시 교체하십시오.
- ◆ 충전기에 물이 닿지 않도록 하십시오.
- ◆ 충전기를 해체하거나 열지 마십시오.
- ◆ 충전기를 시험하지 마십시오.



충전기는 실내용으로만 사용합니다.



사용하기 전에 사용 설명서의 내용을 숙지하십시오.

**전기 안전**



본 충전기는 이중으로 절연되어 있으므로 접지가 필요 없습니다. 전원 전압이 명판에 기재된 전압과 일치하는지 항상 확인하십시오. 충전기를 절대로 일반 전원 플러그로 교체하지 마십시오.

- ◆ 전원 코드가 손상된 경우 사고가 발생하지 않도록 제조업체 또는 공인 **BLACK+DECKER** 서비스 센터에서 교체해야 합니다.

## 기능

본 공구에는 다음 기능들 중 일부 또는 모두가 포함되어 있습니다.

1. 가변 속도 스위치
2. 전진/후진 슬라이더
3. 토크 조절 칼라
4. 키리스 척
5. 듀얼 레인지 기어링
6. LED작업 지시등
7. 배터리
8. 배터리 분리 버튼

## 조립

### 사용법

**경고!** 공구를 정상 속도로 가동하십시오. 과부하가 발생하면 안 됩니다.

#### 배터리 충전 (그림 A1, A2)

배터리는 처음 사용하기 전에, 그리고 이전에 간단히 수행했던 작업에서 전력이 부족할 때마다 충전해야 합니다. 충전 중에 배터리가 뜨거워질 수도 있습니다. 이는 정상적인 현상이며 고장이 아닙니다.

**경고!** 주변 온도가 10 °C 미만이거나 40 °C 이상일 때는 배터리를 충전하지 마십시오.

권장 충전 온도: 약 24 °C.

**참고:** 전지 온도가 10 °C 미만이거나 40 °C 를 초과했을 때는 충전기가 배터리를 충전하지 않습니다.

**배터리를 충전기에 남겨 둘 경우 전지 온도가 증가하거나 냉각 되면 충전기가 자동으로 충전을 시작합니다.**

- ◆ 충전기의 플러그를 (8) 표준 230 볼트 50 Hz 콘센트에 꽂습니다
- ◆ 그림 A1, A2와 같이 배터리 팩 (6)을 충전기에 밀어 넣으십시오.



배터리가 충전 중임을 나타내는 LED (8a)가 깜박입니다.



충전 완료는 계속 켜져있는 LED (9a)로 표시됩니다. 팩이 완전히 충전되었으며 현재 사용하거나 충전기에 그대로 둘 수 있습니다.

**경고!** 화재 위험. 충전기에서 배터리를 제거 할 때는 먼저 콘센트에서 충전기를 분리 한 다음 충전기에서 배터리를 분리하십시오.

#### 충전기 진단

이 충전기는 배터리 팩 또는 전원에서 발생할 수 있는 특정 문제를 감지하도록 설계되었습니다. 하나의 LED가 다른 패턴으로 깜박이면 문제가 나타납니다.

#### 배터리 불량



충전기가 배터리가 약하거나 손상되었음을 감지 할 수 있습니다. 패턴에서 LED가 깜박거리며 라벨에 표시되어 있습니다. 이 잘못된 배터리 깜박임 패턴이 보이면 배터리를 계속 충전하지 마십시오. 재활용을 위해 서비스 센터 나 수거 장소로 반환하십시오.

#### 냉/온 팩 지연



충전기에서 너무 뜨겁거나 차가운 배터리 팩이 감지되면, 냉/온 팩 지연이 자동으로 시작되어 배터리 팩이 적절한 온도가 될 때까지 충전이 중단됩니다. 이런 일이 발생하면 충전기가 팩 충전 모드로 전환합니다. 이 기능은 최대 배터리 수명을 보장합니다. 라벨에 표시된 패턴으로 표시등이 깜박입니다.

#### 충전기에 배터리를 그대로 유지

충전기와 배터리 팩은 LED가 계속 켜져있는 상태로 유지 될 수 있습니다. 충전기는 완전히 충전 된 배터리 팩 상태로 유지됩니다. 이 충전기의 특징은자동 튜닝 모드 또는 배터리 팩의 개별 셀의 균형을 유지하여 최대 용량에서 작동하도록합니다. 배터리 팩은 매주 또는 더 이상 같은 양의 작업을 수행하지 않을 때마다 조정해야 합니다. 자동 튜닝 모드를 사용하려면 배터리 팩을 충전기에 넣고 최소 8 시간 동안 그대로 두십시오.

#### 중요한 충전 정보

- ◆ 환경 온도가 18° - 24°C에 배터리 팩을 충전하면 가장 긴 수명과 최고의 성능을 얻을 수 있습니다. +4.5°C 이하 또는 40°C 이상의 환경 온도에서 배터리 팩을 충전하지 마십시오. 이것은 중요하며 배터리 팩의 심각한 손상을 방지합니다.
- ◆ 충전 중에 충전기와 배터리 팩 온도가 어느정도 올라갈 수 있습니다. 이것은 정상적인 상태이며 문제를 나타내지 않습니다. 사용 후 배터리 팩의 냉각을 용이하게 하려면 충전기 나 배터리 팩을 금속 창고 또는 비 절연 트레일러와 같은 뜨거운 환경에 두지 마십시오.
- ◆ 배터리 팩이 제대로 충전되지 않은 경우:
  - ◆ 램프 나 다른기구를 연결하여 콘센트의 작동을 점검하십시오.
  - ◆ 콘센트가 조명을 끌 때 전원을 차단하는 조명 스위치에 연결되어 있는지 확인하십시오
  - ◆ 충전기와 배터리 팩을 충전 주변 온도가 약 18° - 24°C 인 곳으로 옮기십시오.
  - ◆ 충전 문제가 지속되면 도구, 배터리 팩 및 충전기를 현지 서비스 센터로 반송하십시오.
- ◆ 배터리 팩은 이전에 쉽게 수행 한 작업에서 충분한 전원을 공급하지 못하면 재충전해야 합니다. 이러한 조건에서 계속 사용하지 마십시오. 충전 절차를 따르십시오. 배터리 팩에 악영향을주지 않고 원할 때마다 부분적으로 사용한 팩을 충전할 수도 있습니다.
- ◆ 분진, 금속 칩, 스틸 울, 알루미늄 호일 또는 금속성 입자의 축적과 같은 전도성 특성의 이물질은 충전기 캐비티에

서 멀리 떨어져 있어야 합니다. 청소를 시도하기 전에 충전기의 플러그를 뽑으십시오.

- ◆ 충전기를 물이나 다른 액체에 담 그거나 담그지 마십시오.

### 배터리 팩 삽입 및 공구에서 배터리 팩 분리 (그림 B, C)

**경고:** 배터리를 제거하거나 설치하기 전에 스위치 작동을 방지하기 위해 잠금 버튼 (2)이 맞물려 있는지 확인하십시오.

배터리 팩을 설치하려면:

- ◆ 딸깍 소리가 날 때까지 배터리 팩 (7)을 도구에 삽입하십시오 (그림 B).

### 공구에서 배터리 팩 제거 (그림 C)

- ◆ (그림 C)와 같이 배터리 분리 버튼 (8)을 누르고 배터리 팩 (7)을 공구에서 제거합니다.

### 운영 지침서

#### 트리거 스위치 및 후진 버튼 (그림 D)

- ◆ 트리거 스위치 (1)를 당겼다 놓으면 드릴이 켜졌다 꺼집니다. 트리거를 많이 밟을수록 드릴 속도가 빨라집니다.
- ◆ 전진/후진 제어 버튼 (2)은 공구 방향을 결정하며 락오프 버튼 역할도 합니다.
- ◆ 전진 회전을 선택하려면 트리거 스위치를 놓고 전진/후진 제어 버튼 (2)을 왼쪽으로 눌러줍니다.
- ◆ 후진을 선택하려면 전진/후진 제어 버튼을 반대방향으로 눌러 줍니다.

**참고!** 제어 버튼이 중앙에 있으면 공구가 꺼진 상태로 잠기게 됩니다. 제어 버튼의 위치를 변경할 때는 반드시 트리거를 놓아야 합니다.

#### 토크 제어 (그림 E)

이 공구에는 토크 조절 칼라 (3)가 장착되어 작동 모드를 선택하고 조임 나사의 토크를 설정합니다. 큰 나사와 간단한 공작물 재료는 작은 나사와 부드러운 공작물 재료보다 높은 토크 설정이 필요합니다.

- ◆ 목재, 금속 및 플라스틱에서 드릴링하는 경우 칼라를 드릴링 위치 기호로 설정하십시오.
- ◆ 스크류 드라이빙의 경우 칼라를 원하는 설정으로 설정하십시오. 적절한 설정을 아직 확인되지 않은 경우 다음과 같이 실행하십시오.
- ◆ 칼라를 최저 토크 설정으로 설정하십시오.
- ◆ 첫 번째 나사를 조입니다.
- ◆ 원하는 결과를 얻기 전에 클러치가 래치되면 칼라 설정을 높이고 나사를 계속 조입니다. 올바른 설정에 도달 할 때까지 반복하십시오. 나머지 나사에는이 설정을 적용하십시오.

#### 키리스 척 (그림 F)

**경고!** 배터리를 장착하거나 제거하기 전에 반드시 잠금 해제 버튼을 (2)을 고정시켜 실수로 스위치가 작동되는 것을 방지해야 합니다.

드릴 비트 또는 기타 액세서리를 삽입하려면 다음과 같이 조치합니다.

- ◆ 한 손으로 척 (4)의 뒤쪽 절반을 잡고, 다른 손을 사용해서 척 끝에서 봤을 때 앞쪽 절반 시계 반대방향으로 돌립니다.

- ◆ 비트 또는 다른 액세서리를 척에 완전히 끼우고, 척끝에서 봤을 때 척의 뒤쪽 절반을 잡고 앞쪽 부분을 시계 방향으로 척을 돌려 단단히 조입니다.

**경고!** 척의 앞부분을 잡고 공구를 커서 드릴 비트 (또는 기타 액세서리)를 조이려고 시도하지 마십시오. 액세서리를 변경할 경우 척이 손상되거나 신체 부상이 발생할 수 있습니다.

#### 듀얼 레인지 기어링 (그림 G)

드릴의 이중 범위 기능을 통해 기어를 변속하여 다목적 성능을 향상시킬 수 있습니다. 저속, 고 토크 설정 (위치 1)을 선택하려면 공구를 끄고 정지하십시오. 기어 시프터 버튼 (5)을 척에서 밀어 빼십시오. 고속, 저 토크 설정 (위치 2)을 선택하려면 공구를 끄고 정지하십시오.

기어 시프터 버튼을 척쪽으로 밀니다.

**참고:** 공구가 작동 중일 때는 기어를 교체하지 마십시오. 기어를 교체하는 데 문제가있는 경우 이중 범위 기어 버튼이 완전히 앞으로 또는 완전히 뒤로 밀렸는지 확인하십시오.

#### 드릴 작업/나사 조이기

- ◆ 전진/후진 슬라이더 (2)를 사용하여 전진 또는 후진 회전을 선택합니다
- ◆ 공구를 켜려면 스위치 (1)를 누릅니다. 공구 속도는 스위치를 누르는 속도에 따라 다릅니다.
- ◆ 공구를 끄려면 스위치를 놓습니다

#### 최적의 사용법

##### 드릴 작업

- ◆ 날카로운 드릴 비트 만 사용하십시오.
- ◆ 안전 지침에 지시 된대로 올바르게 작업하고 지원하십시오.
- ◆ 안전 지침에 지시 된대로 적절하고 필요한 안전 장비를 사용하십시오.
- ◆ 안전 지침에 지시 된대로 작업 공간을 확보하고 유지하십시오.
- ◆ 안전 지침에 지시 된대로 작업 공간을 확보하고 유지하십시오.
- ◆ 비트와 일직선으로 압력을 가하십시오. 비트를 물린 상태로 유지하려면 모터를 정지 시키거나 비트를 편향시키지 않도록 충분한 압력을 가하십시오.
- ◆ 두 손으로 드릴을 단단히 잡고 비틀림 동작을 제어하십시오.
- ◆ **STALLED 드릴의 트리거를 꺾다 켜서 시작하지 마십시오. 드릴로 인한 손상이 발생할 수 있습니다.**
- ◆ 압력을 줄이고 구멍의 마지막 부분을 천천히 천공하여 돌파시 실속을 최소화하십시오.
- ◆ 드릴 구멍에서 비트를 빼내면서 모터를 계속 작동 시키십시오. 걸림을 줄이는 데 도움이 됩니다.
- ◆ 스위치로 드릴을 켜고 끌 수 있는지 확인하십시오.

### 목재 드릴링

목재 구멍은 금속 또는 스페이드 비트와 동일한 트위스트 드릴 비트로 만들 수 있습니다. 이 비트는 날카로 워야하고 홈에서 칩을 제거하기 위해 드릴링 할 때 주기적으로 뽑아야 합니다.

### 금속 드릴링

금속을 드릴링 할 때는 절삭유를 사용하십시오. 예외적으로 주철과 낫쇠는 건조한 상태로 드릴링해야 합니다. 가장 잘 작동하는 절삭유는 황화 절삭유 또는 라드 오일입니다.

### 벽돌 드릴링

석재에서 드릴링 할 경우 기호와 표시를 정렬하여 칼라 (3)를 해머 드릴링 위치로 설정하십시오. 속도 선택기 (5)를 공구 앞쪽 (2 단 기어)쪽으로 밀니다.

### 나사 조이기

- ◆ 항상 올바른 유형과 크기의 드라이버 비트를 사용하십시오.
- ◆ 나사를 조이기 어려우면 소량의 액체 세제 또는 비누를 윤활유로 사용해 보십시오.
- ◆ 항상 공구와 드라이버 비트를 나사와 직각으로 잡으십시오.

### 문제 해결

문제	가능한 원인	가능한 해결책
기기가 작동하지 않습니다.	배터리 팩이 충전되지 않았습니다.	배터리 팩 충전 요구 사항을 확인하십시오.
배터리 팩이 충전되지 않습니다.	충전기 전원 플러그를 꽂지 않았습니다. 주변 기온이 너무 뜨겁거나 차갑습니다.	충전기의 전원 플러그를 콘센트에 꽂으십시오. 40F (45°C) 이상 또는 105F (40.5°C) 이하의 환경 온도로 충전기와 배터리 팩을 이동합니다.
기기가 갑자기 종료됩니다.	배터리 팩이 최대 열 한계에 도달했습니다. 과열된되었습니다. (배터리 팩의 수명을 최대화하기 위해 전량이 소진되면 자기 종료되도록 설계되었습니다)	배터리 팩을 식히십시오. 충전기에 놓고 충전하십시오.

### 유지 보수

BLACK+DECKER 공구는 최소한의 유지 보수로 장기간에 걸쳐 작업이 가능하도록 설계되어 있습니다. 만족스러운 연속 작동은 적절한 공구 관리와 정기적인 청소에 따라 그 성능이 달라질 수 있습니다.

충전기는 정기적인 청소 이외에 유지 보수가 필요하지 않습니다.

**경고!** 공구를 유지 보수하려면 먼저 공구에서 배터리를 분리하십시오. 충전기를 청소하기 전에 충전기의 플러그를 뽑으십시오.

- ◆ 부드러운 브러시와 마른 헝겊으로 공구 및 충전기의 환기 슬롯을 주기적으로 청소하십시오.
- ◆ 젖은 헝겊으로 모터 하우징을 주기적으로 청소하십시오. 연마재 및 유성 클리너를 사용하지 마십시오.
- ◆ 칩을 주기적으로 열고 가볍게 두드려 내부의 먼지를 털어내십시오.

### 환경 보호



분리 수거. 이 기호가 표시된 제품과 배터리를 일반 가정용 쓰레기와 함께 처리하면 안됩니다.

제품과 배터리에는 재활용되거나 재사용되고 고철 자원에 대한 수요를 줄일 수 있는 자재가 포함되어 있습니다. 전기 제품과 배터리는 지역 규정에 따라 재활용하십시오. 자세한 내용은 [www.2helpU.com](http://www.2helpU.com) 에서 찾아 볼 수 있습니다.

### 기술 데이터

		EBCD703	
전압	V <sub>DC</sub>	18V (20V Max)	
무부하 속도	분 <sup>-1</sup>	0-360/ 0-1400	
최대 토크	Nm	38	
척 용량	mm	1-10	
최대 드릴 용량			
철강 / 목재	mm	10/25	
무게	kg	0.9	

충전기				
입력 전압	V <sub>AC</sub>	220	220	220
출력 전압	V <sub>DC</sub>	24	18	18
전류		400 mA	1A	2A
대략적 충전 시간	시간	4-5	1.5-2	0.5-1

배터리		BL2018**	BL1518**
전압	V <sub>DC</sub>	20	20
용량	Ah	2.0	1.5
종류		리튬 이온	리튬 이온

### 서비스 정보

BLACK+DECKER 제품은 가까운 대우전자 서비스센터 (구 대우일렉서비스센터)에서 받으실 수 있습니다. 모든 BLACK+DECKER 서비스 센터에는 교육을 이수한 전문 인원이 배치되어 있어 고객에게 효과적이고 믿을 수 있는 제품 서비스를 제공하고 있습니다.

기술 지원, 수리 또는 순정 교체 부품이 필요한 모든 경우에 가까운 BLACK+DECKER로 연락하십시오.

**참고**

- ◆ BLACK+DECKER는 제품을 지속적으로 개선시키기 때문에 사전 통지 없이 제품 사양이 변경될 수 있습니다.
- ◆ 기본 장비 및 액세서리 구성은 각 국가에 따라 다를 수 있습니다.
- ◆ 제품 사양은 국가에 따라 다를 수 있습니다.
- ◆ 국가에 따라 판매하지 않는 제품도 있을 수 있습니다. 제품 판매 여부는 해당 지역에 있는 BLACK+DECKER 판매점으로 문의하십시오.



