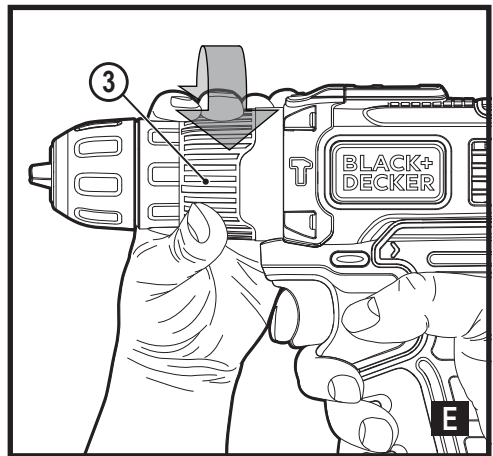
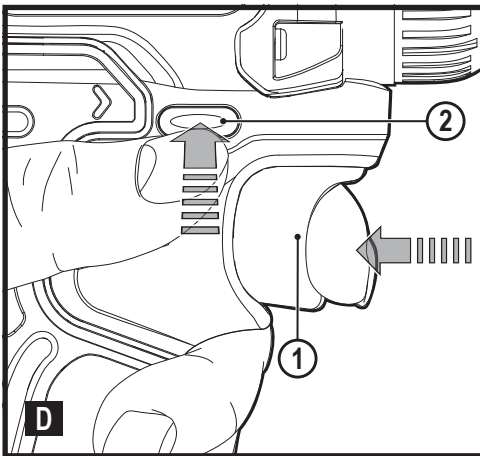
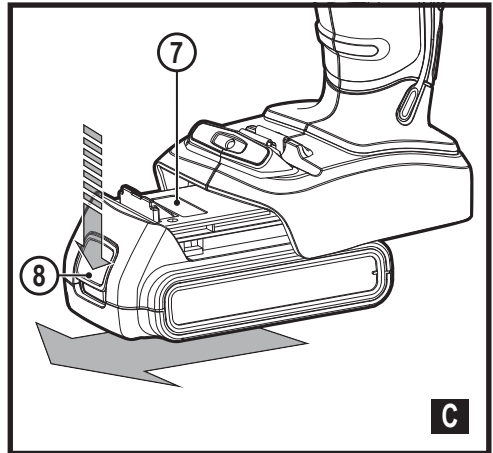
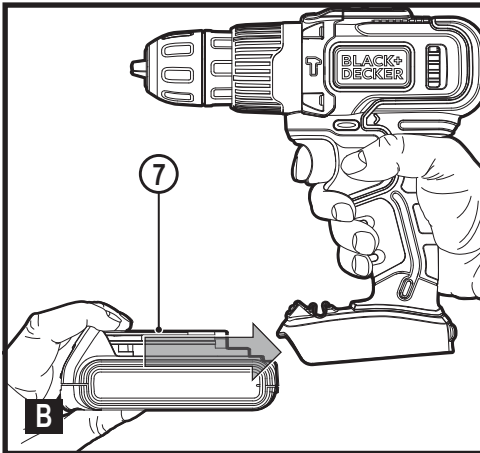
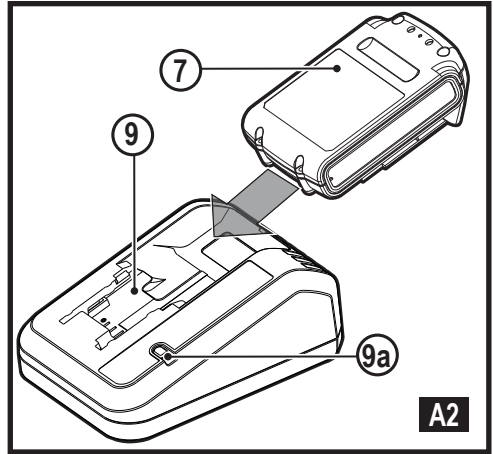
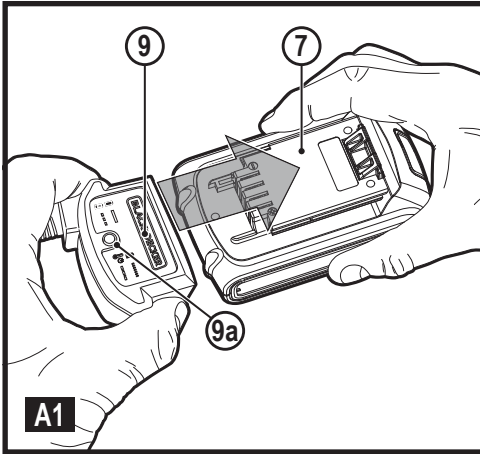
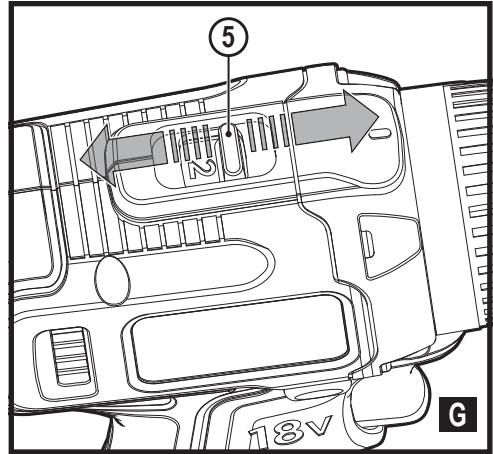
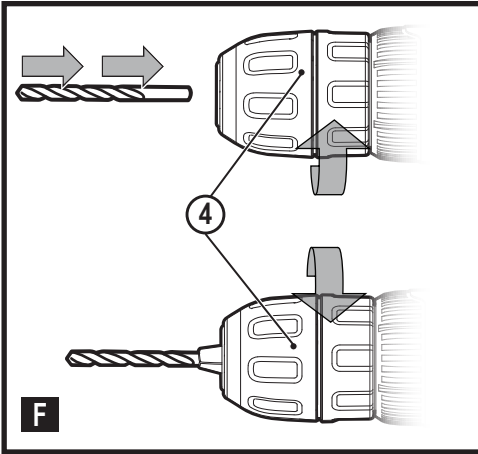


[www.blackanddecker.com](http://www.blackanddecker.com)





**BCD003  
IMPACT DRILL**

**Technical data**

|                              |            | BCD003           |         |         |        |
|------------------------------|------------|------------------|---------|---------|--------|
| Voltage                      | $V_{DC}$   | 18               |         |         |        |
| No-load speed                | $Min^{-1}$ | 0 - 360/0 - 1400 |         |         |        |
| Max. torque                  | Nm         | 45               |         |         |        |
| Chuck capacity               | mm         | 1-10             |         |         |        |
| <b>Max Drilling capacity</b> |            |                  |         |         |        |
| Steel/wood/Masonry           | mm         | 10/25/10         |         |         |        |
| Weight                       | kg         | 0.9              |         |         |        |
| <b>Charger</b>               |            |                  |         |         |        |
| Input voltage                | $V_{AC}$   | 220-240          | 220-240 |         |        |
| Output voltage               | $V_{DC}$   | 18               | 18      |         |        |
| Current                      | mA         | 400              | 1A      |         |        |
| Approx. charge time          | Hours      | 3 - 20           | 1.5 - 4 |         |        |
| <b>Battery</b>               |            |                  |         |         |        |
|                              |            | BL2018*          | BL2518* | BL1518* | BL4018 |
| Voltage                      | $V_{DC}$   | 18               | 18      | 18      | 18     |
| Capacity                     | Ah         | 2.0              | 2.5     | 1.5     | 4.0    |
| Type                         |            | Li-Ion           | Li-Ion  | Li-Ion  | Li-Ion |

**Intended use**

Your BLACK+DECKER BCD003 - Impact drill, has been designed for screwdriving applications and for drilling in wood, metal and masonry. This tool is intended for consumer use only.

**Safety instructions**

**General power tool safety warnings**



**Warning! Read all safety warnings and all instructions.** Failure to follow the warnings and instructions listed below may result in electric shock, fire and/or serious injury.

**Save all warnings and instructions for future reference.**

The term "power tool" in all of the warnings listed below refers to your mains operated (corded) power tool or battery operated (cordless) power tool.

**1. Work area safety**

- a. **Keep work area clean and well lit.** Cluttered or dark areas invite accidents.
- b. **Do not operate power tools in explosive atmospheres, such as in the presence of flammable liquids, gases or dust.** Power tools create sparks which may ignite the dust or fumes.
- c. **Keep children and bystanders away while operating a power tool.** Distractions can cause you to lose control.

**2. Electrical safety**

- a. **Power tool plugs must match the outlet. Never modify the plug in any way. Do not use any adapter plugs with earthed (grounded) power tools.** Unmodified plugs and matching outlets will reduce risk of electric shock.
- b. **Avoid body contact with earthed or grounded surfaces such as pipes, radiators, ranges and refrigerators.** There is an increased risk of electric shock if your body is earthed or grounded.

- c. **Do not expose power tools to rain or wet conditions.** Water entering a power tool will increase the risk of electric shock.
- d. **Do not abuse the cord. Never use the cord for carrying, pulling or unplugging the power tool. Keep cord away from heat, oil, sharp edges or moving parts.** Damaged or entangled cords increase the risk of electric shock.
- e. **When operating a power tool outdoors, use an extension cord suitable for outdoor use.** Use of a cord suitable for outdoor use reduces the risk of electric shock.
- f. **If operating a power tool in a damp location is unavoidable, use a residual current device (RCD) protected supply.** Use of an RCD reduces the risk of electric shock.

### 3. Personal safety

- a. **Stay alert, watch what you are doing and use common sense when operating a power tool. Do not use a power tool while you are tired or under the influence of drugs, alcohol or medication.** A moment of inattention while operating power tools may result in serious personal injury.
- b. **Use personal protective equipment. Always wear eye protection.** Protective equipment such as dust mask, non-skid safety shoes, hard hat, or hearing protection used for appropriate conditions will reduce personal injuries.
- c. **Prevent unintentional starting. Ensure the switch is in the off-position before connecting to power source and/or battery pack, picking up or carrying the tool.** Carrying power tools with your finger on the switch or energising power tools that have the switch on invites accidents.
- d. **Remove any adjusting key or wrench before turning the power tool on.** A wrench or a key left attached to a rotating part of the power tool may result in personal injury.
- e. **Do not overreach. Keep proper footing and balance at all times.** This enables better control of the power tool in unexpected situations.
- f. **Dress properly. Do not wear loose clothing or jewellery. Keep your hair, clothing and gloves away from moving parts.** Loose clothes, jewellery or long hair can be caught in moving parts.
- g. **If devices are provided for the connection of dust extraction and collection facilities, ensure these are connected and properly used.** Use of dust collection can reduce dust-related hazards.

### 4. Power tool use and care

- a. **Do not force the power tool. Use the correct power tool for your application.** The correct power tool will do

the job better and safer at the rate for which it was designed.

- b. **Do not use the power tool if the switch does not turn it on and off.** Any power tool that cannot be controlled with the switch is dangerous and must be repaired.
- c. **Disconnect the plug from the power source and/or the battery pack from the power tool before making any adjustments, changing accessories, or storing power tools.** Such preventive safety measures reduce the risk of starting the power tool accidentally.
- d. **Store idle power tools out of the reach of children and do not allow persons unfamiliar with the power tool or these instructions to operate the power tool.** Power tools are dangerous in the hands of untrained users.
- e. **Maintain power tools. Check for misalignment or binding of moving parts, breakage of parts and any other condition that may affect the power tools operation. If damaged, have the power tool repaired before use.** Many accidents are caused by poorly maintained power tools.
- f. **Keep cutting tools sharp and clean.** Properly maintained cutting tools with sharp cutting edges are less likely to bind and are easier to control.
- g. **Use the power tool, accessories and tool bits etc. in accordance with these instructions, taking into account the working conditions and the work to be performed.** Use of the power tool for operations different from those intended could result in a hazardous situation.

### 5. Battery tool use and care

- a. **Recharge only with the charger specified by the manufacturer.** A charger that is suitable for one type of battery pack may create a risk of fire when used with another battery pack.
- b. **Use power tools only with specifically designated battery packs.** Use of any other battery packs may create a risk of injury and fire.
- c. **When battery pack is not in use, keep it away from other metal objects, like paper clips, coins, keys, nails, screws, or other small metal objects, that can make a connection from one terminal to another.** Shorting the battery terminals together may cause burns or a fire.
- d. **Under abusive conditions, liquid may be ejected from the battery; avoid contact. If contact accidentally occurs, flush with water. If liquid contacts eyes, additionally seek medical help.** Liquid ejected from the battery may cause irritation or burns.

### 6. Service

- a. **Have your power tool serviced by a qualified repair person using only identical replacement parts.** This will ensure that the safety of the power tool is maintained.

## Additional power tool safety warnings



**Warning!** Additional safety warnings for drills

- ◆ **Use auxiliary handles supplied with the tool.** Loss of control can cause personal injury.
- ◆ **Hold power tool by insulated gripping surfaces when performing an operation where the cutting accessory may contact hidden wiring.** Cutting accessory contacting a "live" wire may make exposed metal parts of the power tool "live" and could give the operator an electric shock.
- ◆ **Hold power tool by insulated gripping surfaces, when performing an operation where the fastener may contact hidden wiring.** Fasteners contacting a "live" wire may make exposed metal parts of the power tool "live" and could give the operator an electric shock.
- ◆ **Use clamps or another practical way to secure and support the workpiece to a stable platform.** Holding the work by hand or against your body leaves it unstable and may lead to loss of control.
- ◆ Before drilling into walls, floors or ceilings, check for the location of wiring and pipes.
- ◆ Avoid touching the tip of a drill bit just after drilling, as it may be hot.
- ◆ The intended use is described in this instruction manual. The use of any accessory or attachment or performance of any operation with this tool other than those recommended in this instruction manual may present a risk of personal injury and/or damage to property.

## Safety of others

- ◆ This tool is not intended for use by persons (including children) with reduced physical, sensory or mental capabilities, or lack of experience and knowledge, unless they have been given supervision or instruction concerning use of the tool by a person responsible for their safety.
- ◆ Children should be supervised to ensure that they do not play with the appliance.

## Residual risks

Additional residual risks may arise when using the tool which may not be included in the enclosed safety warnings. These risks can arise from misuse, prolonged use etc.

Even with the application of the relevant safety regulations and the implementation of safety devices, certain residual risks can not be avoided. These include:

- ◆ Injuries caused by touching any rotating/moving parts.
- ◆ Injuries caused when changing any parts, blades or accessories.
- ◆ Injuries caused by prolonged use of a tool. When using any tool for prolonged periods ensure you take regular breaks.

- ◆ Impairment of hearing.
- ◆ Health hazards caused by breathing dust developed when using your tool (example:- working with wood, especially oak, beech and MDF.)

## Labels on tool

The following symbols are shown on the tool along with the date code:



**Warning!** To reduce the risk of injury, the user must read the instruction manual.



Wear ear protectors with impact drills. Exposure to noise can cause hearing loss.

## Additional safety instructions for batteries and chargers

### Batteries

- ◆ Never attempt to open for any reason.
- ◆ Do not expose the battery to water.
- ◆ Do not store in locations where the temperature may exceed 40 °C.
- ◆ Charge only at ambient temperatures between 10 °C and 40 °C.
- ◆ Charge only using the charger provided with the tool.
- ◆ When disposing of batteries, follow the instructions given in the section "Protecting the environment".



Do not attempt to charge damaged batteries.

### Chargers

- ◆ Use your BLACK+DECKER charger only to charge the battery supplied with the tool. Other batteries could burst, causing personal injury and damage.
- ◆ Never attempt to charge non-rechargeable batteries.
- ◆ Have defective cords replaced immediately.
- ◆ Do not expose the charger to water.
- ◆ Do not open the charger.
- ◆ Do not probe the charger.



The charger is intended for indoor use only.



Read the instruction manual before use.

### Electrical safety



Your charger is double insulated; therefore no earth wire is required. Always check that the mains voltage corresponds to the voltage on the rating plate. Never attempt to replace the charger unit with a regular mains plug.

- ◆ If the supply cord is damaged, it must be replaced by the manufacturer or an authorised BLACK+DECKER Service Centre in order to avoid a hazard.

## Features

This tool includes some or all of the following features.

1. Variable speed switch
2. Forward/reverse slider
3. Torque adjustment collar
4. Keyless chuck
5. Dual range gearing
6. LED work light
7. Battery
8. Battery release button

## Assembly

### Use

**Warning!** Let the tool work at its own pace. Do not overload.

### Charging the battery (fig. A1, A2)

The battery needs to be charged before first use and whenever it fails to produce sufficient power on jobs that were easily done before. The battery may become warm while charging; this is normal and does not indicate a problem.

**Warning!** Do not charge the battery at ambient temperatures below 10 °C or above 40 °C. Recommended charging temperature: approx. 24 °C.



**Note: The charger will not charge a battery if the cell temperature is below approximately 10 °C or above 40 °C.**



**The battery should be left in the charger and the charger will begin to charge automatically when the cell temperature warms up or cools down.**

- ◆ Plug the charger (9) into any standard 230 Volts 50 Hz electrical outlet.
- ◆ Slide the battery pack (7) into the charger as shown in fig. A1, A2.

The LED (9a) will flash indicating that the battery is being charged.

The completion of charge is indicated by the LED (9a) remaining on continuously. The pack is fully charged and may be used at this time or left on the charger.



**Warning!** fire Hazard. When removing the battery from the charger, be sure to unplug the charger from the outlet first, then remove the battery from the charger.

## Charger diagnostics

This charger is designed to detect certain problems that can arise with the battery packs or the power source. Problems are indicated by one LED flashing in different patterns.



### Bad battery

The charger can detect a weak or damaged battery. The LED flashes in the pattern indicated on the label. If you see this bad battery blink pattern, do not continue to charge the battery. Return it to a service center or a collection site for recycling.

### Hot/cold pack delay

When the charger detects a battery that is excessively hot or excessively cold, it automatically starts a Hot/Cold Pack Delay, suspending charging until the battery has normalized. After this happens, the charger automatically switches to the Pack Charging mode. This feature ensures maximum battery life. The light flashes in the pattern indicated on the label.

### Leaving the battery in the charger

The charger and battery pack can be left connected with the LED glowing indefinitely. The charger will keep the battery pack fresh and fully charged. This charger features an automatic tune-up mode which equals or balances the individual cells in the battery pack to allow it to function at peak capacity. Battery packs should be tuned up weekly or whenever the battery no longer delivers the same amount of work. To use the automatic tune-up mode, place the battery pack in the charger and leave it for at least 8 hours.

### Important charging notes

- ◆ Longest life and best performance can be obtained if the battery pack is charged when the air temperature is between 18 ° – 24 °C. DO NOT charge the battery pack in an air temperature below +4.5 °C), or above +40 °C. This is important and will prevent serious damage to the battery pack.
- ◆ The charger and battery pack may become warm to the touch while charging. This is a normal condition, and does not indicate a problem. To facilitate the cooling of the battery pack after use, avoid placing the charger or battery pack in a warm environment such as in a metal shed or an uninsulated trailer.
- ◆ If the battery pack does not charge properly:
  - ◆ Check operation of receptacle by plugging in a lamp or other appliance;
  - ◆ Check to see if receptacle is connected to a light switch which turns power off when you turn out the lights;

- ◆ Move the charger and battery pack to a location where the surrounding air temperature is approximately 18 ° – 24 °C;
- ◆ If charging problems persist, take the tool, battery pack and charger to your local service center.
- ◆ The battery pack should be recharged when it fails to produce sufficient power on jobs which were easily done previously. DO NOT CONTINUE to use under these conditions. Follow the charging procedure. You may also charge a partially used pack whenever you desire with no adverse effect on the battery pack.
- ◆ Foreign materials of a conductive nature such as, but not limited to, grinding dust, metal chips, steel wool, aluminum foil, or any buildup of metallic particles should be kept away from charger cavities. Unplug the charger before attempting to clean.
- ◆ Do not freeze or immerse the charger in water or any other liquid.

### Installing and removing the battery pack from the tool (fig. B)

**Warning!** Make certain the lock-off button (2) is engaged to prevent switch actuation before removing or installing battery. To install battery pack:

- ◆ Insert battery pack (7) into tool, until an audible click is heard (fig. B)

### Removing the battery pack from the tool (fig. C)

- ◆ Depress the battery release button (8) as shown in (fig. C) and pull battery pack out of tool.

## Operating Instructions

### Trigger switch & reversing button (fig. D)

- ◆ The drill is turned ON and OFF by pulling and releasing the trigger switch (1). The farther the trigger is depressed, the higher the speed of the drill.
- ◆ A forward/reverse control button (2) determines the direction of the tool and also serves as a lock off button.
- ◆ To select forward rotation, release the trigger switch and depress the forward/reverse control button to the left.
- ◆ To select reverse, depress the forward/reverse control button the opposite direction.

**Note:** The center position of the control button locks the tool in the off position. When changing the position of the control button, be sure the trigger is released.

### Torque control (fig.E)

This tool is fitted with a torque adjustment collar (3) to select the operating mode and to set the torque for tightening screws. Large screws and hard workpiece materials require

a higher torque setting than small screws and soft workpiece materials.

- ◆ For drilling in wood, metal and plastics, set the collar to the drilling position symbol
- ◆ For screwdriving, set the collar to the desired setting. If you do not yet know the appropriate setting, proceed as follows:
  - ◆ Set the collar to the lowest torque setting.
  - ◆ Tighten the first screw.
  - ◆ If the clutch ratchets before the desired result is achieved, increase the collar setting and continue tightening the screw. Repeat until you reach the correct setting. Use this setting for the remaining screws.

### Keyless chuck (fig. F)

**Warning!** Make certain the lock-off button (2) is engaged to prevent switch actuation before installing or removing accessories.

To insert a drill bit or other accessory:

- ◆ Grasp the rear half of the chuck (4) with one hand and use your other hand to rotate the front half in the counterclockwise direction, as viewed from the chuck end.
- ◆ Insert the bit or other accessory fully into the chuck, and tighten securely by holding the rear half of the chuck and rotating the front portion in the clockwise direction as viewed from the chuck end.

**Warning!** Do not attempt to tighten drill bits (or any other accessory) by gripping the front part of the chuck and turning the tool on. Damage to the chuck and personal injury may occur when changing accessories.

### Dual range gearing (Figure G)

The dual range feature of your drill allows you to shift gears for greater versatility. To select low speed, high torque setting (position 1), turn tool off and permit to stop. Slide gear shifter button (5) away from the chuck. To select the high speed, low torque setting (position 2), turn tool off and permit to stop. Slide gear shifter button towards the chuck.

**Note:** Do not change gears when tool is running. If you are having trouble changing gears, make sure that the dual range gear button is either completely pushed forward or completely pushed back.

### Drilling/screwdriving

- ◆ Select forward or reverse rotation using the forward/reverse slider (2).
- ◆ To switch the tool on, press the switch (1). The tool speed depends on how far you press the switch.
- ◆ To switch the tool off, release the switch.

## Hints for optimum use

### Drilling

- ◆ Use sharp drill bits only.
- ◆ Support and secure work properly, as instructed in the Safety Instructions.
- ◆ Use appropriate and required safety equipment, as instructed in the Safety Instructions.
- ◆ Secure and maintain work area, as instructed in the Safety Instructions.
- ◆ Run the drill very slowly, using light pressure, until the hole is started enough to keep the drill bit from slipping out of it.
- ◆ Apply pressure in a straight line with the bit. Use enough pressure to keep the bit biting but not so much as to stall the motor or deflect the bit.
- ◆ Hold the drill firmly with two hands to control its twisting action.
- ◆ DO NOT CLICK THE TRIGGER OF A STALLED DRILL OFF AND ON IN AN ATTEMPT TO START IT. DAMAGE TO THE DRILL CAN RESULT.
- ◆ Minimize stalling on breakthrough by reducing pressure and slowly drilling through the last part of the hole.
- ◆ Keep the motor running while pulling the bit out of a drilled hole. This will help reduce jamming.
- ◆ Make sure switch turns drill on and off.

### Drilling in wood

Holes in wood can be made with the same twist drill bits used for metal or with spade bits. These bits should be sharp and should be pulled out frequently when drilling to clear chips from the flutes.

### Drilling in metal

Use a cutting lubricant when drilling metals. The exceptions are cast iron and brass which should be drilled dry. The cutting lubricants that work best are sulfurized cutting oil or lard oil.

### Drilling in masonry

For drilling in masonry, set the collar (3) to the hammer drilling position by aligning the symbol with the marking. Slide the speed selector (5) towards the front of the tool (2nd gear).

### Screwdriving

- ◆ Always use the correct type and size of screwdriver bit.
- ◆ If screws are difficult to tighten, try applying a small amount of washing liquid or soap as a lubricant.
- ◆ Always hold the tool and screwdriver bit in a straight line with the screw

## Troubleshooting

| Problem                       | Possible cause  | Possible solution   |
|-------------------------------|---|---|
| Unit will not start.          | Battery pack not charged.   | Check battery pack charging requirements  |
| Battery pack will not charge. | Charger not plugged in.<br>Surrounding air temperature too hot or too cold.   | Plug charger into a working outlet.<br>Move charger and battery pack to a surrounding air temperature of above 40 degrees F (45°C) or below 105 degrees F (+40.5°C) |
| Unit shuts off abruptly.      | Battery pack has reached its maximum thermal limit.<br>Out of charge. (To maximize the life of the battery pack it is designed to shutoff abruptly when the charge is depleted) | Allow battery pack to cool down.<br>Place on charger and allow to charge.   |

## Maintenance

Your BLACK+DECKER tool has been designed to operate over a long period of time with a minimum of maintenance. Continuous satisfactory operation depends upon proper tool care and regular cleaning.

Your charger does not require any maintenance apart from regular cleaning.

**Warning!** Before performing any maintenance on the tool, remove the battery from the tool. Unplug the charger before cleaning it.

- ◆ Regularly clean the ventilation slots in your tool and charger using a soft brush or dry cloth.
- ◆ Regularly clean the motor housing using a damp cloth. Do not use any abrasive or solvent-based cleaner.
- ◆ Regularly open the chuck and tap it to remove any dust from the interior.

## Protecting the environment



Separate collection. Products and batteries marked with this symbol must not be disposed of with normal household waste.

Products and batteries contain materials that can be recovered or recycled, reducing demand for raw materials. Please recycle electrical products and batteries according to local provisions. Further information is available at [www.2helpU.com](http://www.2helpU.com)

## Service Information

BLACK+DECKER offers a full network of company-owned and authorized service locations throughout Asia. All BLACK+DECKER Service Centers are staffed with trained personnel to provide customers with efficient and reliable product service.



Whether you need technical advice, repair, or genuine factory replacement parts, contact the BLACK+DECKER location nearest to you.

### Note

- ◆ BLACK+DECKER's policy is one of continuous improvement to our products and, as such, we reserve the right to change product specifications without prior notice.
- ◆ Standard equipment and accessories may vary by country.
- ◆ Product specifications may differ by country.
- ◆ Complete product range may not be available in all countries. Contact your local BLACK+DECKER dealers for range availability.

**BCD003  
BOR TEMBOK**

**Data teknis**

|                              |                  | BCD003           |         |         |        |
|------------------------------|------------------|------------------|---------|---------|--------|
| Voltase                      | $V_{DC}$         | 18               |         |         |        |
| Kecepatan tanpa beban        | Mnt <sup>1</sup> | 0 - 360/0 - 1400 |         |         |        |
| Torsi maksimum               | Nm               | 45               |         |         |        |
| Kapasitas gagang gerak       | mm               | 1-10             |         |         |        |
| Kapasitas bor maksimum       |                  |                  |         |         |        |
| Baja/kayu/Dinding Bata       | mm               | 10/25/10         |         |         |        |
| Berat                        | kg               | 0,9              |         |         |        |
| Pengisi daya                 |                  |                  |         |         |        |
| Voltase input                | $V_{AC}$         | 220-240          | 220-240 |         |        |
| Voltase output               | $V_{DC}$         | 18               | 18      |         |        |
| Bolak-Balik                  | mA               | 400              | 1A      |         |        |
| Kisaran waktu isi ulang daya | Jam              | 3 - 20           | 1,5 - 4 |         |        |
| Baterai                      |                  |                  |         |         |        |
|                              |                  | BL2018*          | BL2518* | BL1518* | BL4018 |
| Voltase                      | $V_{DC}$         | 18               | 18      | 18      | 18     |
| Kapasitas                    | Ah               | 2,0              | 2,5     | 1,5     | 4,0    |
| Type                         |                  | Li-Ion           | Li-Ion  | Li-Ion  | Li-Ion |

**Tujuan penggunaan**

Bor Tembok BLACK+DECKER BCD003 Anda dirancang untuk aplikasi pengobengan dan untuk pengeboran kayu, logam, dan dinding bata. Alat ini hanya ditujukan untuk penggunaan non-profesional.

**Petunjuk keselamatan**

**Peringatan umum untuk keselamatan perkakas listrik**



**Perhatian! Baca seluruh peringatan keselamatan dan seluruh petunjuk.** Kegagalan mengikuti peringatan dan petunjuk yang tercantum di bawah ini dapat mengakibatkan sengatan listrik, kebakaran, dan/atau cedera berat.

**Simpan semua peringatan dan petunjuk untuk referensi di masa mendatang.** Istilah "alat listrik" dalam semua peringatan yang tercantum di bawah mengacu pada alat listrik yang dioperasikan menggunakan listrik (berkabel) atau alat listrik yang dioperasikan menggunakan baterai (nirkabel).

**1. Keselamatan area kerja**

- a. **Jaga agar area kerja tetap bersih dan terang.** Area yang berantakan atau gelap berpotensi mengakibatkan kecelakaan.

- b. **Jangan operasikan alat listrik di lingkungan yang dapat meledak, misalnya jika terdapat cairan, gas, atau debu yang mudah terbakar.** Alat listrik menimbulkan percikan api yang dapat menyulut debu atau uap.
- c. **Jauhkan anak-anak dan orang-orang di sekitar Anda saat mengoperasikan alat listrik.** Gangguan dapat menyebabkan Anda kehilangan kendali.

**2. Keselamatan kelistrikan**

- a. **Steker perkakas listrik harus sesuai dengan soketnya. Jangan pernah memodifikasi steker dengan cara apa pun. Jangan gunakan steker adaptor apa pun dengan alat listrik yang dibumikan (grounded).** Steker yang tidak dimodifikasi dan stopkontak yang sesuai akan mengurangi risiko sengatan listrik.
- b. **Hindari kontak badan dengan permukaan yang dibumikan (grounded), seperti pipa, radiator, kompor, dan kulkas.** Risiko sengatan listrik dapat meningkat jika tubuh Anda bersentuhan dengan permukaan yang dibumikan.
- c. **Jangan sampai alat listrik ini terkena hujan atau terpapar ke kondisi yang basah.** Air yang masuk ke alat listrik akan meningkatkan risiko sengatan listrik.
- d. **Jangan menyalahgunakan kabel. Jangan sekali-kali menggunakan kabel untuk membawa, menarik, atau mencabut alat listrik. Jauhkan kabel dari panas, minyak, tepi tajam, atau komponen yang bergerak.** Kabel yang rusak atau terbelit meningkatkan risiko sengatan listrik.
- e. **Bila mengoperasikan perkakas listrik di luar ruangan, gunakan kabel sambungan yang sesuai untuk penggunaan di luar ruangan.** Menggunakan kabel yang sesuai untuk penggunaan di luar ruangan akan mengurangi risiko sengatan listrik.
- f. **Jika penggunaan alat listrik di lokasi yang lembap tidak dapat dihindari, gunakan suplai yang terlindung oleh perangkat arus sisa (RCD).** Penggunaan RCD akan mengurangi risiko sengatan listrik.

**3. Keselamatan diri**

- a. **Tetap waspada, perhatikan apa yang Anda kerjakan dan gunakan akal sehat saat mengoperasikan perkakas listrik.** Jangan mengoperasikan alat listrik bila Anda sedang lelah, atau berada di bawah pengaruh obat, alkohol, atau pengobatan. Kelengahan sesaat saja saat mengoperasikan alat listrik dapat mengakibatkan cedera diri serius.
- b. **Gunakan peralatan pelindung diri. Selalu kenakan alat pelindung mata.** Peralatan pelindung, seperti masker debu, sepatu keselamatan antiselip, helm proyek, atau pelindung telinga yang digunakan untuk kondisi yang sesuai akan mengurangi risiko cedera diri.

- c. **Hindari menyalakan alat tanpa disengaja.** Pastikan bahwa sakelar sudah dalam posisi mati sebelum menghubungkannya ke sumber listrik dan/atau baterai, mengambil, atau membawa alat. Membawa alat listrik dengan jari Anda masih menempel pada tombol atau menghidupkan alat listrik yang tombolnya masih menyala akan berpotensi mengakibatkan kecelakaan.
  - d. **Lepaskan semua kunci setelah alat kunci pas sebelum menghidupkan alat listrik.** Kunci pas atau kunci yang dibiarkan terpasang pada komponen alat listrik yang berputar dapat mengakibatkan cedera diri.
  - e. **Jangan menjangkau melampaui batas. Selalu jaga pijakan dan keseimbangan yang baik.** Hal ini memungkinkan Anda untuk mengendalikan alat listrik secara lebih baik dalam situasi yang tidak terduga.
  - f. **Kenakan pakaian yang sesuai. Jangan mengenakan pakaian longgar atau perhiasan. Jauhkan rambut, pakaian dan sarung tangan dari komponen yang bergerak.** Pakaian yang longgar, perhiasan, atau rambut panjang dapat tersangkut pada komponen yang bergerak.
  - g. **Jika disediakan perangkat untuk sambungan fasilitas pengeluaran dan pengumpulan debu, pastikan alat ini dihubungkan dan digunakan dengan sesuai.** Penggunaan alat pengumpul debu dapat mengurangi bahaya yang ditimbulkan oleh debu.
4. **Penggunaan dan pemeliharaan alat listrik**
    - a. **Jangan menggunakan perkakas listrik dengan paksa. Gunakan alat listrik yang sesuai untuk aplikasi Anda.** Alat listrik yang tepat akan bekerja lebih baik dan aman pada tingkat kelajuan yang telah dirancang untuk alat itu.
    - b. **Jangan gunakan alat listrik ini jika tombol tidak dapat menghidupkan dan mematikan alat.** Perkakas listrik apa pun yang tidak dapat dikendalikan dengan tombol adalah berbahaya dan harus diperbaiki.
    - c. **Lepaskan stopkontak dari sumber listrik dan/atau baterai dari alat listrik sebelum melakukan penyetelan apa pun, mengganti aksesoris, atau menyimpan alat listrik.** Tindakan pencegahan untuk keselamatan seperti itu akan mengurangi risiko menyalakan alat listrik secara tidak disengaja.
    - d. **Simpan alat listrik yang tidak digunakan jauh dari jangkauan anak-anak, dan jangan membolehkan orang yang tidak memahami alat listrik atau petunjuk ini untuk mengoperasikannya.** Alat listrik bisa berbahaya bila digunakan oleh pengguna yang tidak terlatih.
    - e. **Rawat perkakas listrik. Lakukan pemeriksaan untuk mengetahui apakah ada komponen bergerak yang tidak sejajar atau bengkok, komponen yang patah, dan kondisi lainnya yang dapat memengaruhi pengoperasian perkakas listrik. Jika rusak, perbaiki alat listrik sebelum digunakan.** Banyak terjadi kecelakaan akibat perkakas listrik yang tidak terawat dengan baik.
  5. **Penggunaan dan pemeliharaan alat bertenaga baterai**
    - a. **Isi ulang daya baterai hanya dengan pengisi daya yang ditetapkan oleh pabrik.** Pengisi daya yang cocok untuk satu tipe baterai dapat menimbulkan risiko kebakaran jika digunakan pada baterai lainnya.
    - b. **Gunakan alat hanya dengan baterai yang ditujukan secara khusus.** Penggunaan baterai lainnya dapat menimbulkan risiko cedera dan kebakaran.
    - c. **Bila tidak dipakai, jauhkan baterai dari benda logam lainnya seperti klip penjepit kertas, koin, kunci, paku, sekrup, atau benda logam kecil lainnya yang dapat menimbulkan hubungan listrik dari satu terminal ke terminal lainnya.** Menghubungkan kedua terminal baterai dengan kabel secara tidak semestinya dapat mengakibatkan luka bakar atau kebakaran.
    - d. **Pemakaian yang salah bisa menyebabkan keluarnya cairan dari baterai; hindari kontak. Jika tidak sengaja tersentuh, bilas dengan air. Jika cairan mengenai mata, carilah juga bantuan medis.** Cairan yang keluar dari baterai dapat menyebabkan iritasi atau luka bakar.
  6. **Servis**
    - a. **Alat listrik sebaiknya diservis oleh teknisi yang berkualifikasi dan hanya menggunakan komponen pengganti yang persis sama.** Hal ini akan membuat keamanan alat listrik selalu terjaga.

**Peringatan tambahan untuk keamanan perkakas listrik**



**Peringatan!** Keamanan tambahan untuk bor

- ◆ **Gunakan pegangan tambahan yang disertakan dengan alat ini.** Lepasnya kendali dapat menimbulkan cedera diri.
- ◆ **Pegang alat listrik pada permukaan pegangan berpenyekat saat melakukan pengoperasian di mana aksesoris pemotong dapat bersentuhan dengan kabel tersembunyi.** Aksesoris pemotong yang bersentuhan dengan kabel bertegangan listrik dapat mengalirkan arus listrik pada komponen logam perkakas listrik dan mengakibatkan sengatan listrik pada pengguna.

- ◆ **Pegang alat listrik pada permukaan pegangan berpenyekat saat menjalankan operasi di mana alat penjepit dapat bersentuhan dengan kabel tersembunyi.** Alat penjepit yang bersentuhan dengan kabel bertegangan listrik dapat mengalirkan arus listrik pada komponen logam alat listrik dan mengakibatkan sengatan listrik pada pengguna.
- ◆ **Gunakan jepitan atau cara praktis lain untuk mengamankan dan menyangga benda kerja pada landasan yang stabil.** Memegang benda dengan tangan atau disandarkan pada tubuh Anda akan membuatnya tidak stabil dan dapat mengakibatkan hilangnya kendali.
- ◆ Sebelum mengebor dinding, lantai, atau langit-langit, periksa lokasi penempatan kabel dan pipa.
- ◆ Hindari menyentuh ujung mata bor segera setelah mengebor, karena bisa jadi panas.
- ◆ Tujuan penggunaan dijelaskan dalam buku petunjuk ini. Menggunakan aksesoris atau peralatan tambahan, maupun mengoperasikan alat ini dengan cara yang tidak sesuai dengan yang disarankan dalam panduan pengguna ini dapat menimbulkan risiko cedera tubuh dan/atau kerusakan benda-benda milik pribadi.

### Keselamatan orang lain

- ◆ Alat ini tidak ditujukan untuk digunakan oleh orang (termasuk anak-anak) dengan keterbatasan kemampuan fisik, sensor, maupun mental, atau kurang pengalaman maupun pengetahuan, kecuali jika di bawah pengawasan atau menerima petunjuk tentang penggunaan peralatan oleh orang yang bertanggung jawab atas keselamatan mereka.
- ◆ Anak-anak harus diawasi agar mereka tidak bermain-main dengan peralatan ini.

### Risiko-risiko lain

Risiko-risiko lain dapat timbul saat menggunakan alat, yang mungkin tidak tercantum dalam peringatan keselamatan yang disertakan. Risiko-risiko ini dapat diakibatkan oleh penyalahgunaan, penggunaan yang terlalu lama, dsb. Sekalipun peraturan keselamatan terkait sudah diterapkan dan peralatan pengaman sudah digunakan, risiko-risiko lain tertentu tidak dapat dihindari. Ini meliputi:

- ◆ Cedera yang diakibatkan karena menyentuh komponen yang berputar/bergerak.
- ◆ Cedera yang terjadi saat mengganti komponen, pemotong, atau aksesoris.
- ◆ Cedera yang diakibatkan karena penggunaan alat untuk waktu lama. Jika menggunakan alat apa pun untuk waktu yang lama, pastikan Anda mengistirahatkannya secara berkala.
- ◆ Kerusakan indera pendengaran.

- ◆ Bahaya kesehatan yang disebabkan oleh menghirup debu yang ditimbulkan oleh penggunaan alat (contoh: mengampelas kayu, khususnya kayu oak, beech, dan MDF)

### Label pada alat

Simbol berikut ditunjukkan pada alat bersama dengan kode tanggal:



**Peringatan!** Untuk mengurangi risiko cedera, pengguna harus membaca buku petunjuk.



Gunakan pelindung telinga saat menggunakan bor tembok. Paparan terhadap kebisingan dapat menyebabkan kehilangan pendengaran.

### Petunjuk keselamatan tambahan untuk baterai dan pengisi daya

#### Baterai

- ◆ Jangan pernah membuka baterai dengan maksud apa pun.
- ◆ Jangan biarkan baterai terkena air.
- ◆ Jangan simpan di lokasi yang suhunya melebihi 40 °C.
- ◆ Lakukan pengisian daya hanya pada suhu lingkungan antara 10 °C hingga 40 °C.
- ◆ Isi ulang daya hanya menggunakan pengisi daya yang disertakan bersama alat.
- ◆ Saat membuang baterai, ikuti petunjuk yang diberikan dalam bagian "Melindungi Lingkungan".



Jangan pernah mengisi ulang daya baterai rusak.

#### Pengisi daya

- ◆ Hanya gunakan pengisi daya BLACK+DECKER Anda untuk mengisi daya baterai yang disediakan dengan alat. Baterai lain dapat meledak, menyebabkan cedera diri dan kerusakan.
- ◆ Jangan pernah mengisi ulang daya baterai yang tidak dapat diisi ulang.
- ◆ Segera ganti kabel yang rusak.
- ◆ Jangan paparkan pengisi daya pada air.
- ◆ Jangan membuka pengisi daya.
- ◆ Jangan membongkar untuk memeriksa bagian dalam pengisi daya.



Pengisi daya ini hanya ditujukan untuk penggunaan di dalam ruangan.



Baca buku petunjuk sebelum penggunaan.

**Keselamatan kelistrikan**



Pengisi daya Anda terisolasi ganda; oleh karena itu tidak diperlukan kabel pembumihan. Selalu periksa apakah voltase listrik sudah sesuai dengan tegangan yang tercantum pada pelat spesifikasi. Jangan pernah mencoba untuk mengganti unit pengisi daya dengan steker listrik biasa.

- ◆ Jika rusak, kabel daya harus diganti oleh produsen atau Pusat Servis BLACK+DECKER resmi guna menghindari terjadinya bahaya.

**Fitur**

Alat ini memiliki beberapa atau semua fitur berikut ini.

1. Sakelar kecepatan variabel
2. Penggeser maju/mundur
3. Cincin penyesuai torsi
4. Gagang gerak tanpa tombol
5. Pemilih persneling rentang ganda
6. Lampu kerja LED
7. Baterai
8. Tombol pelepas baterai

**Perakitan**

**Gunakan**

**Peringatan!** Biarkan alat bekerja sesuai kecepatannya. Jangan dibebani berlebihan.

**Mengisi ulang baterai (gbr. A1, A2)**

Baterai perlu diisi sebelum digunakan pertama kali dan setiap kali gagal menghasilkan daya yang cukup pada pekerjaan yang mudah dilakukan sebelumnya. Baterai akan menghangat pada saat diisi ulang; ini wajar dan tidak menandakan adanya masalah.

**Peringatan!** Jangan isi daya baterai pada suhu sekitar di bawah 10°C atau di atas 40°C. Suhu pengisian daya yang disarankan: sktr. 24 °C.



**Catatan:** Pengisi daya tidak akan mengisi ulang baterai jika suhu sel di bawah kurang lebih 10 °C atau di atas 40 °C.



Baterai harus dibiarkan dalam pengisi daya, dan pengisi daya akan mulai mengisi ulang daya secara otomatis bilamana suhu sel menghangat atau mendingin.

- ◆ Colokkan pengisi daya (9) ke stopkontak 230 Volt 50 Hz standar apa pun.
- ◆ Masukkan baterai (7) ke dalam pengisi daya seperti ditunjukkan pada pada gbr. A1, A2.

LED (9a) akan berkedip yang menunjukkan bahwa baterai sedang diisi dayanya.

Penyelesaian pengisian daya diindikasikan dengan LED (9a) yang menyala terus menerus. Baterai sudah terisi penuh dan dapat digunakan sekarang, atau dibiarkan di dalam pengisi daya.



**Peringatan!** Bahaya terbakar. Saat melepaskan baterai dari pengisi daya, pastikan untuk mencabut pengisi daya dari stopkontak terlebih dahulu, kemudian cabut baterai dari pengisi daya.

**Diagnosis pengisi daya**

Pengisi daya ini dirancang untuk mendeteksi masalah tertentu yang dapat terjadi dengan baterai atau sumber listrik. Masalah ada masalah ditunjukkan dengan satu LED yang berkedip dengan pola yang berbeda.



**Baterai buruk**

Pengisi daya dapat mendeteksi baterai yang lemah atau rusak. LED berkedip dalam pola tertentu ditunjukkan pada label. Apabila pola kedipan baterai yang buruk ini terlihat, jangan lanjutkan pengisian daya baterai. Kembalikan baterai ke pusat layanan atau tempat pengumpulan untuk didaur ulang.

**Penundaan kemasan panas/dingin**

Ketika pengisi daya mendeteksi baterai terlalu panas atau terlalu dingin, secara otomatis pengisi daya akan memulai Penundaan Kemasan Panas/Dingin, yaitu menunda pengisian daya sampai baterai normal kembali. Setelah hal ini terjadi, secara otomatis pengisi daya beralih ke mode Pengisian Daya Kemasan. Fitur ini memastikan masa pakai baterai maksimum. Lampu berkedip dengan pola yang ditunjukkan pada label.

**Meninggalkan baterai dalam pengisi daya**

Pengisi daya dan baterai dapat dibiarkan terhubung dengan LED menyala tanpa batas waktu. Pengisi daya akan menjaga baterai tetap dalam kondisi baik dan terisi penuh. Pengisi daya ini dilengkapi dengan mode penyeterelan otomatis yang menyamaratakan atau menyeimbangkan masing-masing sel pada kemasan baterai sehingga memungkinkan untuk berfungsi pada kapasitas puncak. Baterai sebaiknya disetel setiap minggu atau setiap kali baterai tidak menghasilkan daya dalam jumlah yang sama. Untuk menggunakan mode penyeterelan otomatis, tempatkan baterai pada pengisi daya dan biarkan minimal 8 jam.

**Catatan pengisian daya penting**

- ◆ Masa pakai terlama dan kinerja terbaik bisa didapatkan jika baterai diisi daya pada suhu udara antara 18 ° – 24 °C. JANGAN mengisi daya baterai dalam suhu udara di bawah +4,5°C), atau di atas +40°C. Ini penting dan akan mencegah kerusakan parah pada baterai.

- ◆ Pengisi daya dan baterai bisa menjadi hangat saat tersentuh ketika sedang mengisi daya. Kondisi ini normal dan tidak menunjukkan adanya masalah. Untuk memudahkan pendinginan baterai setelah digunakan, jangan menempatkan pengisi daya atau baterai dalam lingkungan yang hangat seperti di gudang logam, atau trailer yang tidak berinsulasi.
- ◆ Jika baterai tidak mengisi daya dengan benar:
  - ◆ Periksa pengoperasian pada stopkontak dengan mencolokkan lampu atau peralatan lainnya;
  - ◆ Periksa apakah stopkontak terhubung ke sakelar lampu yang mematikan daya saat Anda mematikan lampu;
  - ◆ Pindahkan pengisi daya dan baterai ke lokasi dengan suhu udara sekitar 18 ° – 24 °C;
  - ◆ Jika masalah pengisian daya masih berlanjut, bawa alat, baterai, dan pengisi daya ke pusat layanan lokal Anda.
- ◆ Baterai harus diisi ulang saat gagal menghasilkan daya yang cukup pada pekerjaan yang mudah dilakukan sebelumnya. **JANGAN LANJUTKAN** menggunakan dengan kondisi-kondisi berikut. Ikuti prosedur pengisian daya. Anda juga dapat mengisi daya baterai yang digunakan sebagian kapan pun Anda mau dengan tanpa efek samping pada baterai.
- ◆ Benda-benda asing bersifat penghantar listrik semacam ini dapat berupa, namun tidak terbatas pada debu gerinda, serpihan logam, serat baja, kertas aluminium, atau tumpukan partikel-partikel logam yang semuanya harus dijauhkan dari rongga-rongga pengisi daya. Cabut pengisi daya sebelum membersihkannya.
- ◆ Jangan membekukan atau membenamkan pengisi daya dalam air atau cairan lain.

### Memasang dan melepas baterai dari alat (gbr. B)

**Peringatan!** Pastikan tombol pengunci (2) diaktifkan untuk mencegah aktuasi sakelar sebelum melepas atau memasang baterai.

Untuk memasang baterai:

- ◆ Masukkan baterai (7) ke dalam alat, sampai terdengar bunyi klik (gbr. B)

### Melepas baterai dari alat (gbr. C)

- ◆ Tekan tombol pelepas baterai (8) seperti yang ditunjukkan pada (gbr. C) dan tarik baterai dari alat.

### Petunjuk Pengoperasian

#### Sakelar pemacu & tombol pemalik (gbr. D)

- ◆ Bor MATI dan MENYALA dengan menarik dan melepaskan sakelar pemacu (1). Semakin dalam pemacu ditekan, makin cepat kecepatannya.
- ◆ Tombol kendali maju/mundur (2) menentukan arah alat dan juga berfungsi sebagai tombol pengunci.

- ◆ Untuk memilih rotasi maju, lepaskan sakelar pemacu dan tekan tombol kendali maju/mundur ke kiri.
- ◆ Untuk memilih rotasi mundur, tekan tombol kendali maju/mundur ke arah berkebalikan.

**Catatan:** Posisi tengah tombol kendali mengunci alat dalam posisi mati. Saat mengubah posisi tombol kendali, pastikan bahwa pemacu sudah dilepaskan.

#### Kontrol torsi (gbr. E)

Alat ini dipasang dengan cincin pengatur torsi (3) untuk memilih mode pengoperasian dan menyetel torsi untuk mengencangkan obeng. Sekrup besar dan material benda keras membutuhkan penyetelan torsi yang lebih tinggi dibandingkan sekrup kecil dan material benda lunak.

- ◆ Untuk mengedor kayu, logam, dan plastik, setel cincin ke simbol posisi pengeboran
- ◆ Untuk mengobeng, setel cincin ke pengaturan yang diinginkan. Jika Anda belum mengetahui setelan yang tepat, ikuti langkah-langkah berikut:
  - ◆ Setel cincin ke setelan torsi terendah.
  - ◆ Kencangkan sekrup pertama.
  - ◆ Jika kopling berputar sebelum hasil yang diinginkan tercapai, tingkatkan penyetelan cincin dan teruskan mengencangkan sekrup. Ulangi sampai Anda mendapatkan setelan yang tepat. Gunakan setelan ini untuk sekrup-sekrup selanjutnya.

#### Gagang gerak tanpa tombol (gbr. F)

**Peringatan!** Pastikan tombol pengunci (2) diaktifkan untuk mencegah aktuasi sakelar sebelum memasang atau melepas aksesoris.

Untuk memasukkan mata bor atau aksesoris lainnya:

- ◆ Pegang bagian belakang penjepit (4) dengan satu tangan dan gunakan tangan lainnya untuk memutar bagian depan berlawanan dengan arah jarum jam, bila dilihat dari bagian belakang penjepit.
- ◆ Masukkan mata bor atau aksesoris lainnya sepenuhnya ke gagang gerak, lalu kencangkan dengan memegang setengah bagian belakang gagang gerak dan memutar bagian depannya searah jarum jam sebagaimana dilihat dari ujung gagang gerak.

**Peringatan!** Jangan pernah mengencangkan mata bor (atau aksesoris apa pun) dengan cara memegang erat bagian depan gagang gerak dan menyalakan alat. Mengganti aksesoris dengan cara seperti ini dapat mengakibatkan kerusakan pada gagang gerak dan cedera diri.

#### Roda gigi rentang ganda (Gambar G)

Dengan fitur rentang ganda dari bor, Anda dapat mengatur roda gigi untuk fleksibilitas yang lebih besar. Untuk memilih pengaturan torsi tinggi (posisi 1) berkecepatan rendah, matikan alat dan biarkan berhenti. Geser tombol pengatur roda gigi (5) menjauh dari gagang gerak. Untuk memilih

pengaturan torsi rendah (posisi 2) berkecepatan tinggi, matikan alat dan biarkan berhenti.

Geser tombol pengatur roda gigi menuju ke gagang gerak.

**Catatan:** Jangan ubah roda gigi saat alat sedang berjalan.

Jika Anda mengalami kesulitan mengubah roda gigi, pastikan bahwa tombol roda gigi rentang ganda sepenuhnya ditekan ke depan atau sepenuhnya ditekan ke belakang.

### Mengebor/mengobeng

- ◆ Pilih rotasi maju atau mundur dengan menggunakan penggeser maju/mundur (2).
- ◆ Untuk menyalakan alat, tekan tombol (1). Kecepatan alat tergantung pada seberapa jauh Anda menekan sakelar.
- ◆ Untuk mematikan alat, lepas sakelar.

### Petunjuk untuk penggunaan yang optimal

#### Mengebor

- ◆ Gunakan hanya mata bor yang tajam.
- ◆ Sangga dan kencangkan material kerja dengan benar, sebagaimana dijelaskan dalam Petunjuk Keselamatan.
- ◆ Gunakan peralatan keselamatan yang tepat dan diperlukan, sebagaimana dijelaskan dalam Petunjuk Keselamatan.
- ◆ Amankan dan jaga area kerja, sebagaimana dijelaskan dalam Petunjuk Keselamatan.
- ◆ Jalankan bor dengan sangat pelan, menggunakan tekanan yang ringan, hingga terbentuk lubang yang cukup untuk mencegah bor tergelincir keluar dari lubang tersebut.
- ◆ Selalu beri penekanan dalam garis lurus dengan mata bor. Gunakan cukup tekanan untuk menjaga agar mata bor tidak melenceng, namun jangan terlalu kuat sampai motor macet atau mata bor rusak.
- ◆ Pegang bor dengan erat menggunakan dua tangan untuk mengendalikan kerja putarannya.
- ◆ JANGAN MENGEKLIK PEMICU BERULANG KALI UNTUK BERUSAHA MENYALAKAN BOR YANG MACET. INI DAPAT MENYEBABKAN KERUSAKAN PADA BOR.
- ◆ Minimalkan risiko kemacetan melalui terobosan dengan mengurangi tekanan dan mengebor secara perlahan melalui bagian terakhir dari lubang.
- ◆ Tetap jalankan motor saat menarik mata bor keluar dari lubang yang dibor. Ini akan membantu mengurangi kemacetan.
- ◆ Pastikan sakelar menyalakan dan mematikan bor.

#### Mengebor kayu

Lubang di kayu dapat dibuat dengan mata bor ulir yang sama yang digunakan untuk logam atau dengan mata bor yang berujung lebar. Mata bor ini harus tajam dan harus sering ditarik keluar saat pengeboran untuk membersihkan serpihan dari galur.

### Mengebor logam

Gunakan pelumas pemotong saat mengebor logam. Kecuali untuk besi tuangan dan kuningan yang harus dibor kering. Pelumas pemotongan yang bekerja paling baik adalah minyak pemotongan atau minyak lemak babi yang diberi belerang.

### Mengebor dinding bata

Untuk mengebor dinding bata, setel cincin (3) ke posisi pengeboran palu dengan cara menghubungkan simbol dengan tanda.

Geser pemilih kecepatan (5) ke arah depan alat (gigi dua).

### Mengobeng

- ◆ Selalu gunakan tipe dan ukuran mata obeng yang benar.
- ◆ Jika sekrup sulit dikencangkan, coba olesi sedikit cairan pencuci atau sabun cair untuk melumasinya.
- ◆ Selalu pegang alat dan mata obeng lurus dengan sekrup

### Pemecahan masalah

| Masalah                        | Kemungkinan penyebab   | Penyelesaian yang mungkin  |
|--------------------------------|--|--|
| Unit tidak mau menyalakan.     | Baterai tidak diisi daya.  | Periksa persyaratan pengisian daya pada baterai.   |
| Baterai tidak mau terisi daya. | Baterai tidak dicolokkan.<br><br>Suhu udara sekitarnya terlalu panas atau terlalu dingin.  | Colokkan pengisi daya ke stopkontak yang berfungsi.<br><br>Pindahkan alat pengisi daya dan baterai menuju udara terbuka pada suhu di atas 40 derajat F (45°C) atau di bawah 105 derajat F (+40,5°C). |
| Unit mati secara tiba-tiba.    | Baterai telah mencapai batas panas maksimumnya.<br><br>Tidak bisa diisi daya. (Untuk memaksimalkan masa pakai baterai, baterai ini dirancang untuk mati secara tiba-tiba ketika dayanya habis) | Biarkan baterai dingin.<br><br>Nyalakan pengisi daya dan biarkan mengisi daya.   |

### Pemeliharaan

Alat BLACK+DECKER Anda telah dirancang untuk beroperasi pada periode waktu yang lama dengan perawatan minimum. Pengoperasian yang memuaskan secara terus-menerus bergantung pada cara pemeliharaan yang benar dan pembersihan alat secara teratur. Pengisi daya tidak membutuhkan perawatan lain di luar pembersihan berkala.

**Peringatan!** Sebelum melakukan perawatan apa pun pada alat, lepaskan dulu baterai dari alat. Lepas pengisi daya sebelum membersihkannya.

- ◆ Bersihkan celah ventilasi pada alat dan pengisi daya secara teratur dengan menggunakan sikat lembut atau lap kering.

- ◆ Bersihkan kerangka mesin secara teratur dengan menggunakan kain bersih yang lembap. Jangan gunakan bahan pembersih abrasif atau pembersih berbahan dasar larutan apa pun.
- ◆ Buka gagang secara berkala dan ketuk-ketuk untuk mengeluarkan debu dari bagian dalam alat.

## Melindungi lingkungan



Pengumpulan terpisah. Produk dan baterai yang ditandai dengan simbol ini tidak boleh dibuang bersama dengan sampah rumah tangga biasa.

Produk dan baterai berisi bahan yang dapat digunakan kembali atau didaur ulang yang mengurangi permintaan kebutuhan bahan baku.

Harap mendaur ulang produk listrik dan baterai sesuai dengan ketentuan setempat. Informasi selengkapnya tersedia di [www.2helpU.com](http://www.2helpU.com).

## Informasi Servis

BLACK & DECKER menawarkan jaringan lengkap milik perusahaan dan lokasi servis resmi di seluruh Asia. Semua Pusat Servis BLACK+DECKER memiliki staf terlatih agar dapat memberikan layanan produk yang efisien dan andal kepada konsumen.

Bila Anda membutuhkan saran teknis, perbaikan, atau suku cadang pengganti asli pabrik, hubungi lokasi BLACK+DECKER terdekat.

## Perhatikan

- ◆ BLACK+DECKER memiliki kebijakan untuk terus meningkatkan produk dan karenanya, kami berhak mengubah spesifikasi produk tanpa pemberitahuan sebelumnya.
- ◆ Perlengkapan dan aksesoris standar mungkin akan berbeda di setiap negara.
- ◆ Spesifikasi produk mungkin akan berbeda di setiap negara.
- ◆ Pilihan produk lengkap mungkin tidak tersedia di semua negara. Untuk mengetahui ketersediaan produk, hubungi dealer Black & Decker setempat Anda.

|               |   |
|---------------|---|
| Di Im poroleh | : PT. Stanley Black & Decker  |
| Alamat        | : Menara Standard Chartered Level 31<br>Jl. Prof. Dr. Satrio No. 164 RT/RW 003/004 Kel. Karet, Kec. Setiabudi<br>Jakarta Selatan, 12930 – Indonesia |