

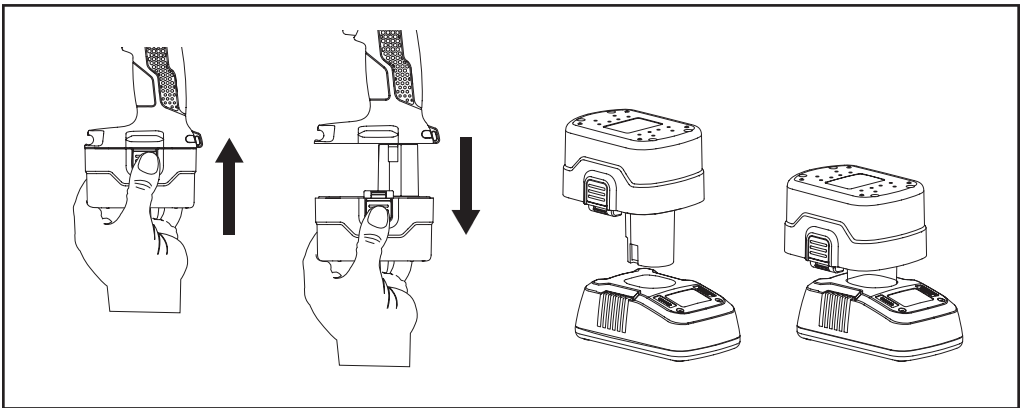
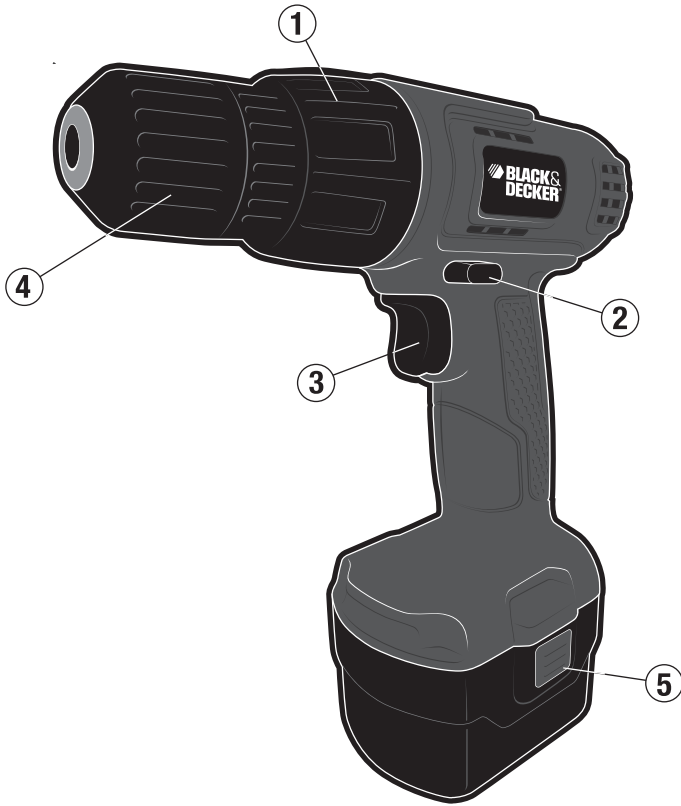


CD121K
CD961

English (original instructions)

3

FIG. A



The photos and illustrations are representative only and may differ slightly from actual product.

10mm CORDLESS DRIVER/DRILL CD121K CD961

Technical Data

Specifications:	CD121K	CD961
Battery	12V	9.6V
Battery cell	Ni-Cd 1.3Ah /1.2V	1.3Ah /1.2V
Charger	JDA-14	JDA-12
Charger voltage input	220-230V	220-230V
Charger output (voltage)	13V	11V
Charger output (current)	450mA	500mA
Chuck capacity	10mm	10mm
Charge time	5-7hr	5-7hr

DO NOT RETURN THIS PRODUCT TO THE STORE, first contact your local Black & Decker office or nearest authorized service center.

GENERAL SAFETY RULES

⚠ Warning! Read and understand all instructions. Failure to follow all instructions listed below, may result in electric shock, fire and/or serious personal injury.

SAVE THESE INSTRUCTIONS



SAFETY INSTRUCTIONS

General Power Tool Safety Warnings.

Warning! Read all safety warnings and all instructions. Failure to follow the warnings and instructions listed below may result in electric shock, fire and/or serious injury.

Save all warnings and instructions for future reference.

The term "power tool" in all of the warnings listed below refers to your mains operated (corded) power tool or battery operated (cordless) power tool.

1. Work Area Safety

- Keep work area clean and well lit.** Cluttered and dark areas invite accidents.
- Do not operate power tools in explosive atmospheres, such as in the presence of flammable liquids, gases or dust.** Power tools create sparks which may ignite the dust or fumes.
- Keep children and bystanders away while operating a power tool.** Distractions can cause you to lose control.

2. Electrical Safety

- Power tool plugs must match the outlet. Never modify the plug in any way. Do not use any adapter plugs with earthed (grounded) power tools.** Unmodified plugs and matching outlets will reduce risk of electric shock.
- Avoid body contact with earthed or grounded surfaces such as pipes, radiators, ranges and refrigerators.** There is an increased risk of electric shock if your body is earthed or grounded.
- Do not expose power tools to rain or wet conditions.** Water entering a power tool will increase the risk of electric shock.
- Do not abuse the cord. Never use the cord for carrying,**

pulling or unplugging the power tool. Keep cord away from heat, oil, sharp edges or moving parts. Damaged or entangled cords increase the risk of electric shock.

- When operating a power tool outdoors, use an extension cord suitable for outdoor use.** Use of a cord suitable for outdoor use reduces the risk of electric shock.
- If operating a power tool in a damp location is unavoidable, use a residual current device (RCD) protected supply.** Use of an RCD reduces the risk of electric shock.

Note: The term "Residual Current Device (RCD)" can be replaced by "Ground Fault Circuit Interrupter (GFCI)" or by "Earth Leakage Circuit Breaker (ELCB)".

3. Personal Safety

- Stay alert, watch what you are doing and use common sense when operating a power tool. Do not use a power tool while you are tired or under the influence of drugs, alcohol or medication.** A moment of inattention while operating power tools may result in serious personal injury.
- Use personal protective equipment. Always wear eye protection.** Protective equipment such as dust mask, non-skid safety shoes, hard hat, or hearing protection used for appropriate conditions will reduce personal injuries.
- Prevent unintentional starting. Ensure the switch is in the off-position before connecting to power source and/or battery pack, picking up or carrying the tool.** Carrying power tools with your finger on the switch or energising power tools that have the switch on invites accidents.
- Remove any adjusting key or wrench before turning the power tool on.** A wrench or a key left attached to a rotating part of the power tool may result in personal injury.
- Do not overreach. Keep proper footing and balance at all times.** This enables better control of the power tool in unexpected situations.
- Dress properly. Do not wear loose clothing or jewellery. Keep your hair, clothing and gloves away from moving parts.** Loose clothes, jewellery or long hair can be caught in moving parts.
- If devices are provided for the connection of dust extraction and collection facilities, ensure these are connected and properly used.** Use of these devices can reduce dust related hazards.

4. Power Tool Use and Care

- Do not force the power tool. Use the correct power tool for your application.** The correct power tool will do the job better and safer at the rate for which it was designed.
- Do not use the power tool if the switch does not turn it on and off.** Any power tool that cannot be controlled with the switch is dangerous and must be repaired.
- Disconnect the plug from the power source and/or the battery pack from the power tool before making any**

adjustments, changing accessories, or storing power tools. Such preventive safety measures reduce the risk of starting the power tool accidentally.

- d. **Store idle power tools out of the reach of children and do not allow persons unfamiliar with the power tool or these instructions to operate the power tool.** Power tools are dangerous in the hands of untrained users.
- e. **Maintain power tools. Check for misalignment or binding of moving parts, breakage of parts and any other condition that may affect the power tools operation. If damaged, have the power tool repaired before use.** Many accidents are caused by poorly maintained power tools.
- f. **Keep cutting tools sharp and clean.** Properly maintained cutting tools with sharp cutting edges are less likely to bind and are easier to control.
- 9. **Use the power tool, accessories and tool bits etc., in accordance with these instructions, taking into account the working conditions and the work to be performed.** Use of the power tool for operations different from those intended could result in a hazardous situation.

5. Battery tool use and care

- a. **Recharge only with the charger specified by the manufacturer.** A charger that is suitable for one type of battery pack may create a risk of fire when used with another battery pack.
- b. **Use power tools only with specifically designated battery packs.** Use of any other battery packs may create a risk of injury and fire.
- c. **When battery pack is not in use, keep it away from other metal objects, like paper clips, coins, keys, nails, screws, or other small metal objects, that can make a connection from one terminal to another.** Shorting the battery terminals together may cause burns or a fire.
- d. **Under abusive conditions, liquid may be ejected from the battery; avoid contact. If contact accidentally occurs, flush with water.** If liquid contacts eyes, additionally seek medical help. Liquid ejected from the battery may cause irritation or burns.
- 6. **Service**
 - a. **Have your power tool serviced by a qualified repair person using only identical replacement parts.** This will ensure that the safety of the power tool is maintained.

Drill safety warnings

- a. **Wear ear protectors when impact drilling.** Exposure to noise can cause hearing loss.
- b. **Use auxiliary handle(s), if supplied with the tool.** Loss of control can cause personal injury.
- c. **Hold power tool by insulated gripping surfaces, when performing an operation where the cutting accessory may contact hidden wiring.** Cutting accessory contacting a "live" wire may make exposed metal parts of the power tool "live" and could give the operator an electric shock.

Electrical Safety



Warning! If the power cord is damaged, it must be replaced by the manufacturer, authorized Black & Decker Service Center or an equally qualified person in order to avoid damage or injury. If the power cord is replaced by an equally qualified person, but not authorized by Black & Decker, the warranty will not be valid.

Labels on Tool

The label on your tool may include the following symbols:



Read Instructions Manual



Use Eye Protection



Use Ear Protection

V Volts

A Amperes

Hz Hertz

W Watts

min minutes

~ Alternating Current

— Direct Current

n_0 No-Load Speed



... Class II Construction



... Earthing Terminal



... Safety Alert Symbol

.../min. ... Revolutions or Reciprocation per minute

Labels on the charger

The following symbols are found on your charger:



Your charging base is double insulated; therefore no earth wire is required. Always check that the power supply corresponds to the voltage on the rating plate.



The charging base is intended for indoor use only.



Read operator's manual

Warning

1. This appliance is not intended for use by persons (including children) with reduced physical, sensory or mental capabilities, or lack of experience and knowledge, unless they have been given supervision or instruction concerning use of the appliance by a person responsible for their safety.
2. Do not recharge non-rechargeable batteries.
3. Children should be supervised to ensure that they do not play with the appliance.

SAFETY INSTRUCTIONS AND WARNINGS

CHARGING

1. This manual contains important safety and operating instructions.
2. Before using battery charger, read all instructions and cautionary markings on (1) battery charger, (2) battery, and (3) product using battery.

Caution! To reduce the risk of injury, charge only Black & Decker Power Packs. Other types of batteries may burst causing personal injury and damage.

3. Do not expose charger to rain or snow.
4. Use of an attachment not recommended or sold by Black & Decker may result in a risk of fire, electric shock, or injury to persons.
5. To reduce risk of damage to electric plug and cord, pull by plug rather than cord when disconnecting charger.
6. Make sure cord is located so that it will not be stepped on, tripped over, or otherwise subjected to damage or stress.
7. Use only the supplied charger when charging your drill. The use of any other charger could damage the drill or create a hazardous condition.
8. Use only one charger when charging.
9. Do not attempt to open the charger or the drill. There are no customer serviceable parts inside. Return to any authorized Black & Decker service center.
10. DO NOT incinerate the drill or battery packs even if they are severely damaged or completely worn out. The batteries can explode in a fire.
11. Do not incinerate the batteries. They can explode in a fire. A small leakage of liquid from the battery cells may occur under extreme usage, charging or temperature conditions. This does not indicate a failure. However, if the outer seal is broken and this leakage gets on your skin:
 - a. Wash quickly with soap and water.
 - b. Neutralize with a mild acid such as lemon juice or vinegar.
 - c. If the battery liquid gets in your eyes, flush them with clean water for a minimum of 10 minutes and seek immediate medical attention.

Medical Note: The liquid is a 25-35% solution of potassium hydroxide.

DRILLING

1. Do not make contact with any of the drill metallic part when drilling or screwdriving in places nearby by live electric wires.
2. Do not lock the tool **ON** when drilling by hand. Refer to “**Operating Instructions-Switch**”.
3. Hold drill firmly to control the twisting action of the drill.
4. When attaching accessories in the drill chuck, hand tighten the keyless chuck firmly.

⚠ Warning! Drill may stall (if overloaded or improperly used) causing a twist. Always expect the stall. Grip the drill firmly to control the twisting action (**Fig. 2**) and prevent loss of control which could cause personal injury. If a stall does occur, release the trigger immediately and determine the reason for the stall before re-starting.

CHARGING THE POWER PACK

The batteries in your power pack are not fully charged at the factory. Before attempting to charge them, thoroughly read all of “**The Safety Instructions**”.

The 5-7 hours charger is designed to use standard household power.

1. Put the switch control lever in the center **OFF** position (**Fig. A, 2**) and remove power pack from the tool.
2. Plug the charger into any standard electrical outlet.
3. Insert the power pack into the charger and let it charge for 5-7 hours.
4. Remove pack from the charger and replace in tool.

Important Charging Notes

1. After normal usage, your drill should be fully charged in 5-7 hours or less. Your drill was sent from the factory in an uncharged condition. Before attempting to use it, it must be charged for at least 3 hours.
2. **DO NOT** charge the power pack in an air temperature below 40°F or above 105°F. This is important and will prevent serious damage to the power pack. Longest life and best performance can be obtained if the power pack is charged when the air temperature is about 75°F.
3. While charging, the charger may hum and become warm to touch. This is a normal condition and does not indicate a problem.
4. If the power pack does not charge properly — (1) Check current at receptacle by plugging in a lamp or other appliance. (2) Check to see if receptacle is connected to a light switch which turns power off when you turn out the lights. (3) Move charger and power pack to a surrounding air temperature of 40°F to 105°F. (4) If the receptacle and temperature are ok, and you do not get proper charging, take or send the power pack and charger to your local Black & Decker service center.
5. The power pack should be recharged when it fails to produce sufficient power on jobs which were easily done previously. **DO NOT CONTINUE** using drill with its power pack in a depleted condition.
6. To prolong power pack life, avoid leaving the power pack on charge for more than 5-7 hours. Although overcharging is not a safety concern, it can significantly reduce overall power pack life.
7. When the battery is inserted into the charger, the red “**Charging Indicator**” light will come on indicating that there is contact between the battery and charger. The light will stay on as long as the battery is in the charger and the charger is plugged into a working outlet. It **WILL NOT** flash, go out or change to a different color when the charging cycle is complete.

USE

⚠ Warning! To reduce risk of injury, read, understand and follow the instructions and warnings, before you use the tool.


Switch and Control Button

A forward/reverse control button determines the direction of the tool and also serves as a lock off button (**Fig. A**).

- ▶ To select forward rotation, release the trigger switch and depress the forward/reverse control button.

- ▶ To select reverse, depress the forward/reverse control button the opposite direction. The center position of the control button locks the tool in the off position. When changing the position of the control button, be sure the trigger is released.

Torque Settings

- ▶ To set the tool's torque, rotate the adjustable torque collar clockwise as required.
- ▶ The positions are marked around the collar and the higher the number, the higher the torque.
- ▶ Each click in a clockwise direction means an increase in the torque produced. Position  is the drill mode and is marked with the picture of a drill bit. In this position the clutch will not operate. This permits heavy duty drilling / driving screws.

Keyless Chuck Operation


Double sleeve Chuck

- ▶ To attach accessories, grasp the rear half of the chuck with one hand and use your other hand to rotate the front half in the counterclockwise direction.
- ▶ Insert the bit or other accessory fully into the chuck, and tighten securely by holding the rear half of the chuck and rotating the front portion in the clockwise direction as viewed from the chuck end.

DRILL


- ▶ Use sharp drill bits only.
- ▶ Support and secure work properly, as instructed in the “**Safety Instructions**”.
- ▶ Use appropriate and required safety equipment, as instructed in the safety instructions.
- ▶ Secure and maintain work area, as instructed in the safety instructions.
- ▶ Run the drill very slowly, using light pressure, until the hole is started enough to keep the drill bit from slipping out of it.
- ▶ Apply pressure in a straight line with the bit. Use enough pressure to keep the bit biting but not so much as to stall the motor or deflect the bit.
- ▶ Hold the drill firmly to control its twisting action.
- ▶ Do not click the trigger of a stalled drill off and on in an attempt to start it. Damage to the drill can result.
- ▶ Minimize stalling on breakthrough by reducing pressure and slowly drilling through last part of hole.
- ▶ Keep the motor running while pulling the bit out of a drilled hole. This will help reduce jamming.
- ▶ Use a cutting lubricant when drilling metals. The exceptions are cast iron and brass which should be drilled dry. Lubricants that work best are sulphurized cutting oil or lard oil.

- ▶ Make sure switch turns drill on and off.


 **Warning!** It is important to support work properly and to hold the drill firmly to prevent loss of control which could cause personal injury.

MANTENIMIENTO

Your tool has been designed to operate over a long period of time with a minimum of maintenance. Continuous satisfactory operation depends upon proper tool care and regular cleaning.

 **Warning!** Before performing any maintenance, switch off and unplug the tool.

- ▶ Regularly clean the ventilation slots in your tool using a soft brush or dry cloth.
- ▶ Regularly clean the motor housing using a damp cloth. Do not use any abrasive or solvent-based cleaner.
- ▶ Never let any liquid get inside the tool; never immerse any part of the tool into a liquid.

 **Important!** To assure product **SAFETY** and **RELIABILITY**, repairs, maintenance and adjustment should be performed by authorized service centers or other qualified service organizations, always using identical replacement parts.

PROTECTING THE ENVIRONMENT



Separate collection. This product must not be disposed of with normal household waste. Should you find one day that your Black & Decker product needs replacement, or if it is of no further use to you, do not dispose of it with household waste. Make this product available for separate collection.



Separate collection of used products and packaging allows materials to be recycled and used again. Re-use of recycled materials helps prevent environmental pollution and reduces the demand for raw materials. Local regulations may provide for separate collection of electrical products from the household, at municipal waste sites or by the retailer when you purchase a new product.

SERVICE INFORMATION

Black & Decker offers a full network of company-owned and authorized service locations. All Black & Decker Service Centers are staffed with trained personnel to provide customers with efficient and reliable power tool service. For more information about our authorized service centers and if you need technical advice, repair, or genuine factory replacement parts, contact the Black & Decker location nearest you, or visit us at www.BlackandDecker.com

