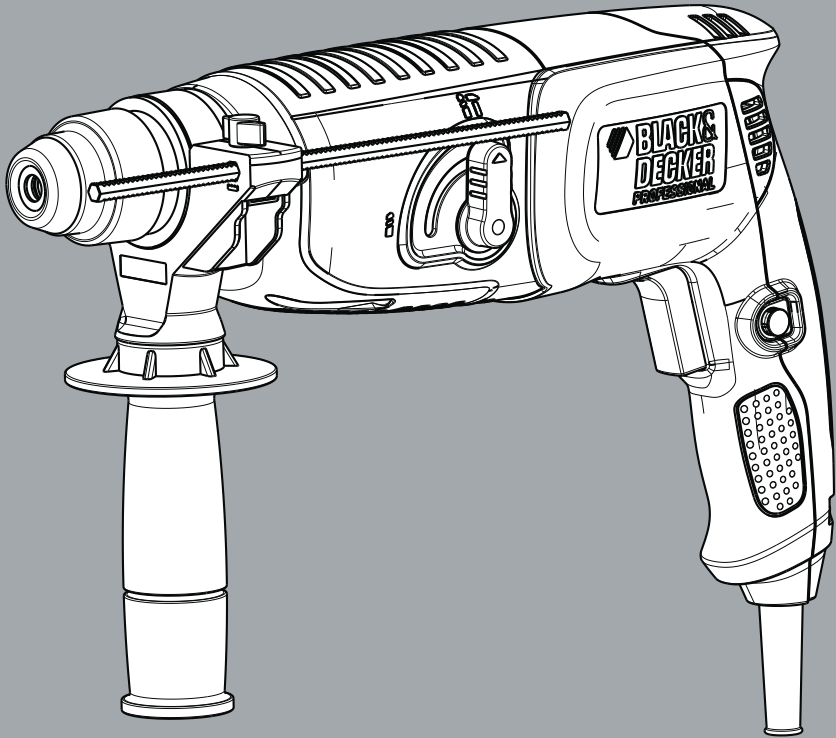


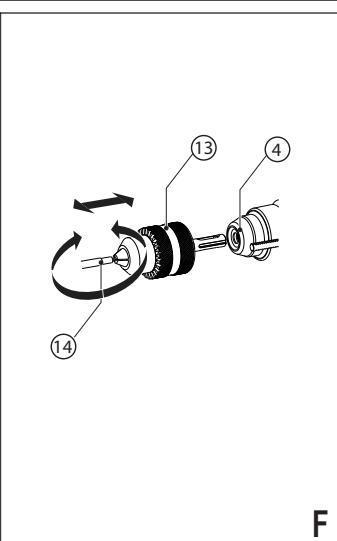
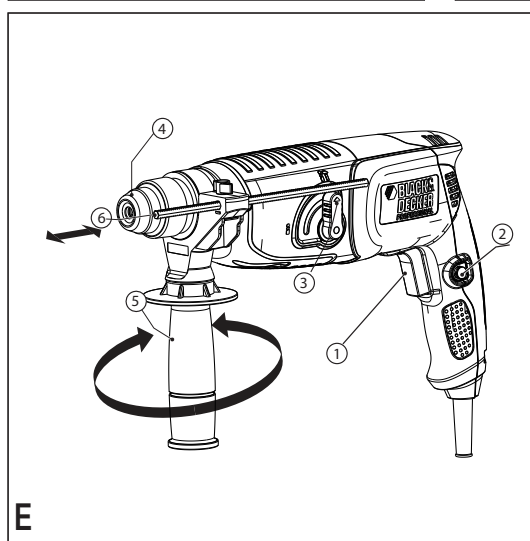
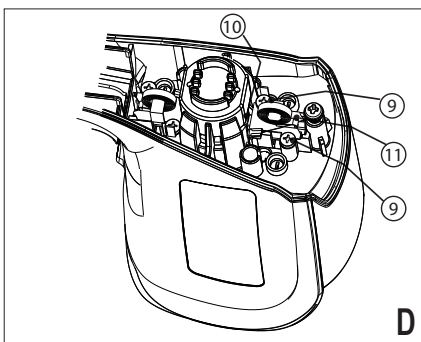
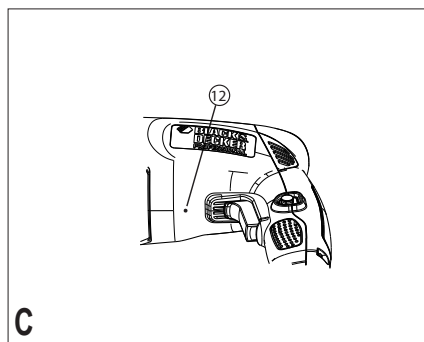
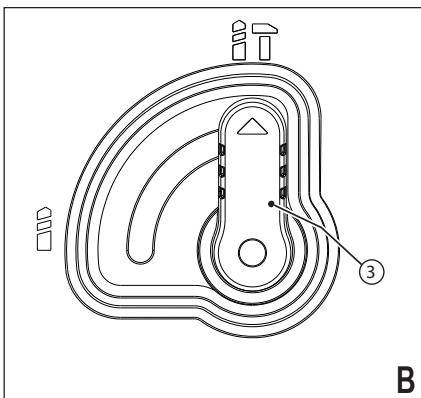
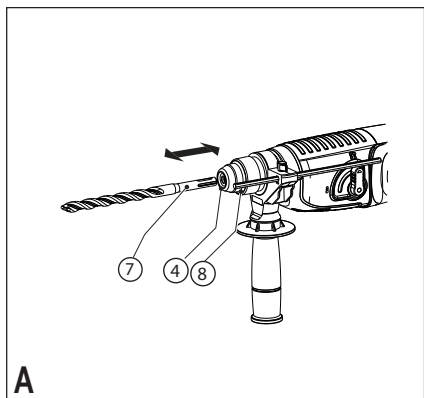
**PRO
LINE**

BLACK&DECKER®



www.blackanddeckerindia.in

BPHR202



* The picture above may differ slightly to actual unit.

Intended use

Your Black and Decker SDS plus rotary hammer is intended to drill holes in concrete, bricks, wood, and steel.

Safety instructions

General Power Tool Safety Warnings



Warning! Read all safety warnings and all instructions. Failure to follow the warnings and instructions may result in electric shock, fire and/or serious injury.

Save all warnings and instructions for future reference.

The term “power tool” in the warnings refers to your mainsoperated (corded) power tool or battery-operated (cordless) power tool.

1. Work area safety

- a. **Keep work area clean and well lit.** Cluttered or dark areas invite accidents.
- b. **Do not operate power tools in explosive atmospheres, such as in the presence of flammable liquids, gases or dust.** Power tools create sparks which may ignite the dust or fumes.
- c. **Keep children and bystanders away while operating a power tool.** Distractions can cause you to lose control.

2. Electrical safety

- a. **Power tool plugs must match the outlet. Never modify the plug in any way. Do not use any adapter plugs with earthed (grounded) power tools.** Unmodified plugs and matching outlets will reduce risk of electric shock.
- b. **Avoid body contact with earthed or grounded surfaces, such as pipes, radiators, ranges and refrigerators.** There is an increased risk of electric shock if your body is earthed or grounded.
- c. **Do not expose power tools to rain or wet conditions.** Water entering a power tool will increase the risk of electric shock.
- d. **Do not abuse the cord. Never use the cord for carrying, pulling or unplugging the power tool. Keep cord away from heat, oil, sharp edges or moving parts.** Damaged or entangled cords increase the risk of electric shock.

e. **When operating a power tool outdoors, use an extension cord suitable for outdoor use.** Use of a cord suitable for outdoor use reduces the risk of electric shock.

f. **If operating a power tool in a damp location is unavoidable, use a residual current device (RCD) protected supply.** Use of an RCD reduces the risk of electric shock.

Note: The term “residual current device (RCD)” may be replaced by the term “ground fault circuit interrupter (GFCI)” or “earth leakage circuit breaker (ELCB)”.

3. Personal safety

- a. **Stay alert, watch what you are doing and use common sense when operating a power tool. Do not use a power tool while you are tired or under the influence of drugs, alcohol or medication.** A moment of inattention while operating power tools may result in serious personal injury.
- b. **Use personal protective equipment. Always wear eye protection.** Protective equipment such as dust mask, nonskid safety shoes, hard hat, or hearing protection used for appropriate conditions will reduce personal injuries.
- c. **Prevent unintentional starting. Ensure the switch is in the off-position before connecting to power source and/ or battery pack, picking up or carrying the tool.** Carrying power tools with your finger on the switch or energising power tools that have the switch on invites accidents.
- d. **Remove any adjusting key or wrench before turning the power tool on.** A wrench or a key left attached to a rotating part of the power tool may result in personal injury.
- e. **Do not overreach. Keep proper footing and balance at all times.** This enables better control of the power tool in unexpected situations.
- f. **Dress properly. Do not wear loose clothing or jewellery. Keep your hair, clothing and gloves away from moving parts.** Loose clothes, jewellery or long hair can be caught in moving parts.
- g. **If devices are provided for the connection of dust extraction and collection facilities, ensure these are connected and properly used.** Use of dust collection can reduce dust-related hazards.

4. Power tool use and care

- a. **Do not force the power tool. Use the correct power tool for your application.** The correct power tool will do the job better and safer at the rate for which it was designed.
- b. **Do not use the power tool if the switch does not turn it on and off.** Any power tool that cannot be controlled with the switch is dangerous and must be repaired.
- c. **Disconnect the plug from the power source and/or the battery pack from the power tool before making any adjustments, changing accessories, or storing power tools.** Such preventive safety measures reduce the risk of starting the power tool accidentally.
- d. **Store idle power tools out of the reach of children and do not allow persons unfamiliar with the power tool or these instructions to operate the power tool.** Power tools are dangerous in the hands of untrained users.
- e. **Maintain power tools. Check for misalignment or binding of moving parts, breakage of parts and any other condition that may affect the power tool's operation. If damaged, have the power tool repaired before use.** Many accidents are caused by poorly maintained power tools.
- f. **Keep cutting tools sharp and clean.** Properly maintained cutting tools with sharp cutting edges are less likely to bind and are easier to control.
- g. **Use the power tool, accessories and tool bits etc. in accordance with these instructions, taking into account the working conditions and the work to be performed.** Use of the power tool for operations different from those intended could result in a hazardous situation.

5. Service

- a. **Have your power tool serviced by a qualified repair person using only identical replacement parts.** This will ensure that the safety of the power tool is maintained.

* **Note:** Mains voltage: When connecting to the mains, it is imperative to verify if the voltage of the mains matches that of the power tool. If the mains voltage exceeds the voltage indicated on the power tool, the user may become severely

injured in an accident, and the tool may be damaged. On the contrary, if the mains voltage is lower than the voltage required by the tool, the motor may be damaged as a result. Thus, if it is not possible to verify the voltage, it is imperative not to plug in to the power source.

Hammer safety warnings

- **Wear ear protectors.** Exposure to noise can cause hearing loss.
- **Use auxiliary handle(s), if supplied with the tool.** Loss of control can cause personal injury.
- **Hold power tool by insulated gripping surfaces, when performing an operation where the cutting accessory may contact hidden wiring or its own cord.** Cutting accessory contacting a "live" wire may make exposed metal parts of the power tool "live" and could give the operator an electric shock.
- Never use a chisel accessory in rotary mode. The accessory will bind in the material and rotate the drill.
- Use clamps or another practical way to secure and support the workpiece to a stable platform. Holding the work by hand or against your body leaves it unstable and may lead to loss of control.
- Before drilling into walls, floors or ceilings, check for the location of wiring and pipes.
- Avoid touching the tip of the drill bit after drilling so as to avoid scalding.
- The intended use is described in this instruction manual. The use of any accessory or attachment or performance of any operation with this tool other than those recommended in this instruction manual may present a risk of personal injury and/or damage to property.

Safety of others

- This appliance is not intended for use by persons (including children) with reduced physical, sensory or mental capabilities, or lack of experience and knowledge, unless they have been given supervision or instruction concerning use of the appliance by a person responsible for their safety.
- Children should be supervised to ensure that they do not play with the appliance.

Other risks

Additional residual risks may arise when using the tool which may not be included in the enclosed safety warnings. These risks can arise from misuse, prolonged use etc. In spite of the application of the relevant safety regulations and the implementation of safety devices, certain risks cannot be avoided. These are:

- Injuries caused by touching any rotating/moving parts.
- Injuries caused when changing any parts, blades or accessories.
- Injuries caused by prolonged use of a tool. When using any tool for prolonged periods ensure you take regular breaks.
- Impairment of hearing.
- Health hazards caused by breathing dust developed when using your tool (example:- working with wood, especially oak, beech and MDF.)

Labels on tool



The following symbols are shown on the tool:

Warning! To reduce the risk of injury, the user must read the instruction manual.

Position of Date Barcode (Fig. C)

The Date Code (12), which also includes the year of manufacture, is printed into the housing.

Example:

2014 XX JN

Year of manufacturing

Electrical Safety



Your tool is double insulated; therefore no earth wire is required. Be sure to check that the power supply corresponds to the voltage on the rating plate. Corresponds.

- If the supply cord is damaged, it must be replaced by the manufacturer or an authorised Black and Decker Service Centre in order to avoid a hazard.

Using an Extension Cable

If it is necessary to use an extension cable, please use an approved extension cable that fits the tool's power input specifications (please refer to the technical data). The minimum cross-sectional area of the conducting wire is 1.5 sq. mm. Cables should be untangled before reeling up.

Please refer to the following table.

Cable cross-sectional area (mm ²)	Cable rated current (Ampere)
0.75	6
1.00	10
1.50	15
2.50	20
4.00	25
Cable length (m)	
	7.5 15 25 30 45 60

Voltage	Amperes	Cable rated current (Ampere)					
115	0 - 2.0	6	6	6	6	6	10
	2.1 - 3.4	6	6	6	6	15	15
	3.5 - 5.0	6	6	10	15	20	20
230	5.1 - 7.0	10	10	15	20	20	25
	7.1 - 12.0	15	15	20	25	25	-
	12.1 - 20.0	20	20	25	-	-	-
	0 - 2.0	6	6	6	6	6	6
230	2.1 - 3.4	6	6	6	6	6	6
	3.5 - 5.0	6	6	6	6	10	15
	5.1 - 7.0	10	10	10	10	15	15
	7.1 - 12.0	15	15	15	15	20	20
	12.1 - 20.0	20	20	20	20	25	-

Features (Fig. E)

This tool includes some or all of the following features.

1. Variable speed switch
2. Lock-on button
3. Mode selector
4. Tool clamp
5. Side handle
6. Depth stop

Assembly

Warning! Before assembly, make sure that the tool is switched off and unplugged.

Attaching the Side Handle (fig. E)

Warning! When drilling holes in concrete or bricks, please use the side handle for your safety.

- Turn the grip counterclockwise until you can slide the side handle onto the front of the tool.
- Rotate the side handle into the desired position.
- Tighten the side handle by turning the grip clockwise.

Warning! When using the tool, remember to install the side handles properly.

Fitting an accessory (fig.A)

- Clean and grease the shank (7) of the accessory.
- Insert the accessory bar into the tool clamp(4).
- Push the accessory down and turn it slightly until it fits into the slots.
- Pull on the accessory to check if it is properly locked. The hammering and drilling function requires the accessory to be able to move axially several centimetres when locked in the tool clamp.
- To remove the accessory, pull back the sleeve (8) and pull out the accessory from the tool clamp.

Use

Warning! Please operate tool with normal load. Do not overload.

Warning! Before drilling into walls, floors or ceilings, check for the location of wiring and pipes.

Selecting the Operating Mode (fig. B)

The tool can be used in two operating modes. Based on actual work requirements, the drilling mode selector (3) can be rotated to the required position.

Hole drilling (Fig. B) (Fig. F)

- For drilling in steel, wood and plastics, set the operating mode selector (3) to the **1** position. At the same time, it is necessary to use a suitable drill chuck (13) (optional accessory) to clamp the attachment rod.
- Insert the drill chuck (13) into the tool chuck (4) according to the instructions for installing attachments. Turn the drill chuck to loosen the clamps at the front-end of the drillclamp, and insert the accessory bar (14) into the clamps and turn the chuck in the opposite direction. You may also use the drill chuck key to tighten the clamp.

Hammer drilling (Fig. B)

- For hammer drilling in masonry and concrete, set the operating mode selector (3) to the **T1** position.
- The drill bit has to be placed accurately onto the drill hole position. After that, pull the switch for optimal effects. Make sure the tool is in the correct position to prevent the drill from deviating from the hole.
- When the drill hole is clogged with debris or fine powder, please don't exert any more pressure. Tool should be put in free-running state before removing part of the drill bit from the hole. If repeated a few times, the blockage in the hole would be cleared, and normal drilling can resume.



Warning! When the drill bit hits cement or the steel rebar in the cement, the tool may recoil dangerously. Please hold the tool tightly in a balanced and stable position at all times to prevent it from recoiling dangerously.

Overload coupling device

If the drill bit is caught or hooked, the driving force transmitted to the drill shaft will be cut off. This would generate a strong recoil, so it would be necessary to hold the tool tightly with both hands to remain in a stable position.

Setting the drilling depth (Fig. E)

The depth stop is a convenient feature to ensure uniformity in drilling depth. Loosen the side handle to adjust the depth gauge according to the required depth. After that, tighten the side handle.

- Slacken the side handle (5) by turning the grip counterclockwise.
- Set the depth stop (6) to the required position. The maximum drilling depth is equal to the distance between the tip of the drill bit and the front end of the depth stop.
- Tighten the side handle by turning the grip clockwise.

Switching on and off

Warning! Before plugging in to the power source, make sure the switch can be flipped freely, and can return to its original position once released.

- To switch the tool on, press the variable speed switch (1). The tool speed depends on how far you press the switch.
- As a general rule, use low speeds for large diameter drill bits and high speeds for smaller diameter drill bits.
- For continuous operation, press the lock-on button (2) and release the variable speed switch.

- To switch the tool off, release the variable speed switch. To switch the tool off when in continuous operation, press the variable speed switch once more and release it.

Accessories

The performance of your tool depends on the accessory used. Black and Decker accessories are engineered to high quality standards and designed to enhance the performance of your tool. By using these accessories you will get the very best from your tool.

Maintenance

Your Black and Decker corded/cordless appliance/tool has been designed to operate over a long period of time with a minimum of maintenance. To ensure satisfactory operations, the tool must be maintained and cleaned regularly.

Warning! Before performing any maintenance on corded/cordless power tools:

- Switch off and unplug the appliance/tool.
- Or switch off and remove the battery from the appliance/tool if the appliance/tool has a separate battery pack.
- Or run the battery down completely if it is integral and then switch off.
- Unplug the charger before cleaning it. Your charger does not require any maintenance apart from regular cleaning.
- Regularly clean the ventilation slots in your appliance/tool/ charger using a soft brush or dry cloth.
- Regularly clean the motor housing using a damp cloth. Do not use any abrasive or solvent-based cleaner.
- Regularly open the chuck and tap it to remove any dust from the interior (when fitted).

Replace the carbon brush (Fig. D)



Lubrication

- Regularly replace and inspect the carbon brush. Once completely worn out by continuous wear and tear, it will have to be replaced. Must keep carbon brush clean and sliding freely within the brush holder. Both carbon brushes have to be replaced at the same time.
- Remove the fixed screws (9) on the carbon brush to remove the carbon brush (10) and brush holder.
- Remove the coil spring supporting the carbon brush (11) in the brush holder, and insert a new carbon brush that meets the specifications.
- Set up the brush holder again and return the supporting coil spring to its original position.



Cleaning



Warning! Blow dirt and dust out of the main housing with dry air as often as dirt is seen collecting in and around the air vents. Wear

approved eye protection and approved dust mask when performing this procedure.



Warning! Never use solvents or other harsh chemicals for cleaning the non-metallic parts of the tool. These chemicals may weaken the

material of the parts. Use only mild soap and damp cloth to clean the tool. Never let any liquid get inside the tool; never immerse any part of the tool into liquid.

Technical data

Rotary hammer		BPHR202
Power input	W	620
Voltage	V	220-240
Frequency	Hz	50/60
No-load speed	/min	0-1250
Impact rate	BPM	0-3900
Impact energy	J	1.34
Modes		2
Max drilling capacity		
Concrete	mm	20
Steel	mm	13
Wood	mm	25
Weight	kg	2.6

Protecting the environment



Separate collection. This product must not be disposed of with normal household waste.

Should you find one day that your Black & Decker product needs replacement, or if it is of no further use to you, do not dispose of it with household waste. Make this product available for separate collection.



Separate collection of used products and packaging allows materials to be recycled and used again.

Reuse of recycled materials helps prevent environmental pollution and reduces the demand for raw materials.

Local regulations may provide for separate collection of electrical products from the household, at municipal waste sites or by the retailer when you purchase a new product.

Black & Decker provides a facility for the collection and recycling of Black & Decker products once they have reached the end of their working life. To take advantage of this service please return your product to any authorised repair agent who will collect them on our behalf.

You can check the location of your nearest authorised repair agent by contacting your local Black & Decker office at the address indicated in this manual. Alternatively, a list of authorised Black & Decker repair agents and full details of our after-sales service and contacts are available on the Internet at: www.2helpU.com.

Guarantee

Black & Decker is confident of the quality of its products and offers an outstanding guarantee. This guarantee statement is in addition to and in no way prejudices your statutory rights. The guarantee is valid within the territories of the Member States of the European Union and the European Free Trade Area.

If a Black & Decker product becomes defective due to faulty materials, workmanship or lack of conformity, within 12 months from the date of purchase, Black & Decker guarantees to replace defective parts, repair products subjected to fair wear and tear or replace such products to make sure of the minimum inconvenience to the customer unless:

- ◆ The product has been used for trade, professional or hire purposes.
- ◆ The product has been subjected to misuse or neglect.
- ◆ The product has sustained damage through foreign objects, substances or accidents.
- ◆ Repairs have been attempted by persons other than authorised repair agents or Black & Decker service staff.

To claim on the guarantee, you will need to submit proof of purchase to the seller or an authorised repair agent. You can check the location of your nearest authorised repair agent by contacting your local Black & Decker office at the address indicated in this manual. Alternatively, a list of authorised Black & Decker repair agents and full details of our aftersales service and contacts are available on the Internet at:

www.2helpU.com

Please visit our website www.blackanddecker.co.uk to register your new Black & Decker product and to be kept up to date on new products and special offers. Further information on the Black & Decker brand and our range of products is available at www.blackanddeckerindia.in

Names & Addresses for Black & Decker Service Concessionaries

ASSAM: Arun Machine And Tools, A.T.Road, Near Rupshree Cinema, Tokobari, Guwahati, Assam, Pin: 781001, Mob: 9435118754, Tel: 2591868. Bagaria Tools And Hardware, Near Hotel Vishwartha, At Road, Guwahati, Assam, Pin: 781001, Mob: 9435011008/9864077172, Tel: 2511173. Vinayak Tools And Machinery, A-1, Mangal Ram Tower, Opposite Police Reserve, A.T.Road, Guwahati, Assam, Pin: 781001, Mob: 9435049234. Assam Machine Tools, Gar-ali, Jorhat, Guwahati, Assam, Pin: 785001, Mob: 9435050699, Tel: 2321607. Shyam Machinery And Tools, A.C. Plaza, N.B.Road (Near Ananta Cinema), Tezpur, Assam, Pin: 784001, Mob: 9435081917, Tel: 03712-230142. **BHAR:** Jai Ambey Traders, Ramna Road, Near Rama Bhavan, P.S.-civil Lane, P.O.- Gaya, Bihar, Pin: 823001, Mob: 9431224989. **CHATTISGARH:** Agrawal Motors, Opp Punjab National Bank, Transport Nagar, Korba, Pin: 495677, Mob: 07759245553, Tel: 9893227261. V. M. Enterprises, Millennium Plaza, First Floor-31, Banstal G E Road, Raipur, Pin: 492001, Mob: 9826136099, Tel: 0771-4280808. **JHARKHAND:** Sigma Enterprises, Saraihela Main Road, Near Ajay Talkies, Dhanbad, Bihar, Pin: 828127, Mob: 9431187803, Tel: 206253. Industrial Tools & Equipments, S Type Chowk, Main Road, Adityapur, Jamshepur, West Bengal, Pin: 831013, Mob: 9431312968, Tel: 0657-2383282. Mangilall Rungta, P.O.Jugsalai, Jamshepur, Jharkhand, Jamshepur, Pin: 831006, Mob: 9334804626, Tel: 0657-423738. Urca Enterprises, Ram Road Tulsi Bhawan, 2nd Floor,diagonal Road, Bistupur,jamshepur, Pin: 831001, Mob: 8292309050, Tel: 0657-2429043. Industrial Tools Agency, Dr. Fataullah Road, Ranchi, Jharkhand, Pin: 834001, Mob: 9334706264, Tel: 0651-2206712. Ranchi Metal Supply Co., S.N.Ganguly Road, Ranchi, Jharkhand, Pin: 834001, Mob: 9431174908, Tel: 0651-200066. **ORISSA:** Utkal Power Tools & Sales, Shop No 121,anand Plaza, Lakshmi Sagar Square, Bhubaneswar, Pin: 751006, Mob: 9437033867, Tel: 0674-2571079. M.R.Hydro Electric Co.(Asc), Nua Patna, Buxi Bazar, cuttack, Cuttack, Pin: 754001, Mob: 9337887000. Subham Enterprises, No. 41, Taringini Market, Rourkela, Orissa, Pin: 769004, Mob: 9437041443, Tel: 0661-440 1443. **WEST BENGAL:** City Hardware, Nachan Road, Benachity, Durgapur, West Bengal, Pin: 713213, Mob: 9832150581, Tel: 0343-2583831.Cutwell Tools, Below Wobse Office, Howrah Amta Road, Dasmagar, Howrah, West Bengal, Pin: 711105, Mob: 9830057455; 9330034464, Tel: 6536070. Bardia Trading Co. No. 17, Princep Street, Kolkata, West Bengal, Pin: 700072, Mob: 9831013176; 9831022454, Tel: 2373065. Machinery & Tools (India) 24, netaji Subhas Road, Kolkata, West Bengal, Pin: 700001, Mob: 9830052968, Tel: 033-2221-3840, S.M.B Corporation, No. 218, Old China Bazar Street, Kolkata, Pin: 700001, Mob: 9903331752, Tel: 2222406/0666, Subol Dutt & Sons Pvt. Ltd., No. 13, Barbourne Road, Kolkata, West Bengal, Pin: 700001, Mob: 9813189629. DelhiIncr, Sharma Trade Links, 155, Shyam Colony, Near Panchatay Bhawan, Ballabgarh, Mob: 8447733807, Tel: 0129-4068299. **DELHI/INCR:** Haryana Agencies, Near Allahabad Bank, Nh-8, Delhi-jaipur Highway, Banipur Chowk, Bawal(Rewari)haryana, Mob: 9783011902, Tel: 01493-226319. Jmr Techserv India, H-7 1st Floor Guru Ram Dass Bhawan Community Centre, Ranjit Nagar, New Delhi, Pin: 110008, Mob: 9990119290, Tel: 011-45669290. Jyoti Sales Co, 3523/49a, balaji Market,gill Hakim Baqa, Hauz Qazi Delhi, Pin: 110006, Mob: 9810330626, Tel: M/S Classic Pneumatics, Plot No : 01 Beta Flyover Nit Faridabad, Opposite Beta Showroom, Faridabad, Pin: 121001, Mob: 9811140218. Mahalakshmi Trading Corporation, Plot No 40/66b, Industrial Area, (Near Raj Gas Agency), Near Hardware Chowk, Faridabad, Pin: 121001, Mob: 9811547845. M/s Shri Ganpati Traders, Plot No:37724, model Town (4marla) Near Gurudwara, Gurgaon-122001, Gurgaon, Pin: 122001, Mob: 9871502888, Tel: 0124 2320088. Shiva Machinery Tools, C-100, Sector-9, Noida (Up) Noida, Pin: 201301, Mob: 9811162293, Tel: 5514862. **HIMACHAL PRADESH:** Chandan Industries, B.O. Opp. 4 Season Hotel, Pinjore Road, Near Bus Stand, Baddi, Himachal Pradesh, Pin: 177701, Mob: 9418021785 And 9418001785, Tel: 94180-01785. **JAMMU AND KASHMIR:** Bhagwati Sales Corporation, Main Road, Last Morth, Gandhi Nagar, Jammu, Pin: 180001, Mob: 9419182433, Tel: 0191-2452718. **PUNJAB:** Karan Enterprises, 101, anand Avenue, Old Jail, Road, Raqtian Singh Chowk, Amritsar, Pin: 147001, Mob: 9815882957. Jai Hind Trading Corporation, Old Bus Stand, Gt Road, Bhatinda. Bhatinda, Pin: 151001, Mob: 9879221000. D.P.Jagan & Sons, Co 46-47, Sec.no-28-c, Chandigarh, Haryana, Pin: 160002, Mob: 9876177441. Fairdeal Agencies, Nehru Garden Road, Near Ajjit Press, Jalandhar, Pin: 144001, Mob: 9814665249. Shashi Industrial Enterprises, E.K. 117, Chowk Bhagat Singh, Near Ec, Jalandhar, Pin: 144001, Mob: 9876456782, Tel: 0181 5003030. Punjab, Armeja Machinery Store, Gill Road Ludhiana, Punjab, Pin: 141003, Mob: 9876300375, Tel: 0161-2537923. Guru Nanak Oxygen Gas Depot A-9, New Market, Opp. Railway Station, Ludhiana, Pin: 141008. Krishna Metals, Ambala By-pass Road, Near Samrala Chowk, Opp: Duggal Roadline, Ludhiana, Pin: 141003, Tel: 0161-2226258. Anand Tool Zone, D-137, Industrial Area, Phase - V, Mohali, Pin: 160055, Mob: 9811416449, Tel: 01722651274. Vikas Weld Plot No-257, industrial Area, Phase - I, Panchkula, Haryana, Pin: 134113, Mob: 9216800168 And 9216800167, Tel: 0172-2576437. Mohindra Bros. Oil Co., Dana Mandi, Pajasthan, Pin: 144401, Mob: 9814533780, Tel: 01824 269082. Thukral Machinery Store, G.T. Road, Rajpura, Rajpura, Punjab, Pin: 140401, Mob: 9872049418, Tel: 9814210733. **RAJASTHAN:** S. S. Auto Agencies 4, Khandlaid Market, Ajmer, Pin: 305001, Mob: 9828053750, Tel: 1452424120. Haryana Iron Traders, Ram Ganj, Alwar, Pin: 301001, Mob: 9829215175. Atul Enterprises, Near Sikar Hotel, Hans Marg, S.C.Road, Jaipur, Rajasthan, Pin: 302001, Mob: 9829013905, Tel: 0141-2360327. Bhati Hardware House, Opp-hanwant School, Pal Road, Jodhpur (Raj), Jodhpur-342003, Pin: 342003, Mob: 9414722451 / 9414122770, Tel: 0291-2770506 / 0291-2770337. Sai Power Tools, 1st Pal Pullya Near Govt School, Main Pal Road Village Pal, Jodhpur, Pin: 342001, Mob: 9799233654, Tel: 0823-3994001. Usha Trading Company, Inside Sojati Gate, Jodhpur, Tel: 2642023. Power Tools & Services, 109 Paliwal Compound, Kota Rajasthan, Pin: 324007, Tel: 0744-2360829. Jagdamba Enterprises, Near Thandi Pau Ki Thadi, Agra Road, Sikandra Chouraya, Sikandra, Pin: 303303, Mob: 9414095522. Brij Machine Tools, Odaka Complex, Station Road, Sikar, Pin: 332001, Mob: 9887537320, Tel: 01572-253826. M.P.Traders 40, new Keshav Nagar, Roopsgar Road, Udaipur, Pin: 313001, Mob: 9414168210. Rajasthan Tools (Prop.diesels India) I, Kasturba Market, Town Hall Road, Udaipur, Pin: 313001, Tel: 0294-2419260. **UTTARPRADESH:** M P Abrasives, Shop # 9 Srilaxmi Plaza, Gandhiraod, Dehradun, Pin: 248001, Mob: 9837050196. Sharma Electricals, 1577 Vivekananda Nagar, Double Store, Ghatiaur, Pin: 201001, Mob: 8860602092. Cippo Traders Latouche Road, kanpur, Uttar Pradesh, Pin: 208001, Mob: 9695887766. Magadh Industrial Company, Royal Vatika, Plot No 46, Flat No 5, 1st Floor, Ratanlal Nagar, Kanpur, Uttar Pradesh, Pin: 208022, Mob: 9415042109, Tel: 0512-2674635. Virat Enterprises, No. 1222/30, Sarojini Nagar, Kanpur, Uttar Pradesh, Pin: 208012, Mob: 9839115747, Tel: 217881 / 221264. Yash Engineering Works, 83 - Naya Gaun East(Barrow Market), Beside Kohli Light & Shine, Latou. Lucknow, Uttar Pradesh, Pin: 226018, Mob: 9415109785, Tel: 200694. Premier Machinery Store, Venus Cinema Building, Railway Road, Saharanpur, Pin: 247001, Tel: 2641663/3293755. Amit Enterprises, Ck No-52/14, saraswati Katra, Rajada Waja, Varanasi, Pin: 221001, Mob: 9839040838. **ANDHRA PRADESH:** General Engineering, # 18-246, room No - 2, Pinni Complex Opp Krishna Theatre, Ananthpur, Andhra Pradesh, Pin: 515001, Mob: 9849388650, Tel: 0854-235706. Gayathri Industrial Corporation 10c, Ushodaya Towers, Industrial Road, Shapuramgar, jeedineemlia, Hyderabad, Andhra Pradesh, Pin: 500055, Mob: 9866669671, Tel: 040 65964671. Mega Home Improvement Pvt Ltd, #15-4-238/239, a.p.house, gowliguda Chaman, Hyderabad, Pin: 500012, Mob: 24652000, 6588591718, Tel: 9000355100. Oriental Engineering Corporation, 5-2-990, Nizam Shahi Road, Hyderabad, Andhra Pradesh, Pin: 500095, Mob: 9848029996, Tel: 040 460 0056, 460 5319. S.V.Industrial & Marketing Services, 2-3-64/8, S.No-1 & 2, Sai Poomina, Opp-amberpet New Police Station, Hyderabad, Andhra Pradesh, Pin: 500013, Mob: 9391032617, Tel: 040-27424828. Sai Sales Corporation, No. 10-11-175/174, Fathenagar Main Road, Hyderabad, Pin: 500018, Tel: 3876877. Srinivasa Enterprises, 5-5-80,2nd Floor, Sri Srinivasa Commercial Complex, Beside Rao's Hotel Ranigunj, secunde Hyderabad, Pin: 500003, Mob: 9989039943, Tel: 040-66489943. Vrindavan Enterprises, Shop No - 113, meghana Complex, Opp- Andhra Bank, Balanagar, Hyderabad, Pin: 500037, Mob: 9391062607, Tel: 93096810. Balaji Mini Tools, Plot No. 1-9-1/2, Beside Venkateshwara Temple, Kushiaguda, Hyderabad, Pin: 500062, Tel: 9246203990, Tel: 040 2716663. Lakshmi Sivaram Enterprises, #43-1-48, Opp: Idbi Bank, Main Road, Kakinda, Branch:sarpavaram Junction, Beside Police Station, Kakinda, Andhra Pradesh, Pin: 533001, Tel: 9848317859. Revathi Enterprises, D. No. 43-7-25, Old Post Office Str, Jagannadapuram Bide, Kakinda, Andhra Pradesh, Pin: 533003, Mob: 9848133585, Tel: 0884-2387328. City Engineering Company, Shop No-14,15,16, Sai Durga Towers, Ongole, Andhra Pradesh, Pin: 523001, Mob: 9848144919, Tel: 08592-221090. Sri Power Tools Corporation, Door No-730-15, Oppbata Show Room, Near Santhi, Main, Road Rajahmundry, Pin: 533101, Tel: 9986644555. Maharaaj Spares, No. 42, Nethaji Road, Tirupati, Pin: 517501, Mob: 9440070929, Tel: 0877 2253426. Ganesh Trading Co., 12-10-46, Convent Street, P Box No 83, Vijayawada, Andhra Pradesh, Pin: 520001, Mob: 9849082241, Tel: 0866-425241 / 426401. Gopalakrishna Engineering Co, Door No 12-6-15, Hart Street, Tarapat, Vijayawada, Pin: 520001, Mob: 0866-2425942, Tel: 9848156713. Sri Shirdi Sai Enterprises, Door No 12-3-32, Peena Mahamad Street, Tarapat, Vijayawada, Pin: 520001, Mob: 0866-2426333, Tel: 9848139633. S B Enterprises, 28-16-14, Suryabagh, Visakhapatnam, Andhra Pradesh, Pin: 530020, Mob: 9440191723, Tel: 0891-2562208 / 2569917. Sri Ganesh Hardware & Electricals, No. 7-16-73, Old Gajuwaka In, Visakhapatnam, Andhra Pradesh, Pin: 530026, Mob: 9393100146, Tel: 0891 515524. Sri Sai Srinivasa Electricals, Door No.58-1-392, n.s.t.i.family Gat, Butchirajya Palem, visak, Visakhapatnam, Pin: 530027, Mob: 9885494398. **KARNATAKA:** Hindustan Tools, No-22, Kiadb Complex, Tvs Cross, Peenya, Bangalore, Karnataka, Pin: 560002, Mob: 91 9341244149, Tel: 51271028. J V Marketing Corporation 1, 1st Floor, Kssidc Special, Plot No 19, Tvs Cross 1st Stage, Peenya Industrial Estate, Bangalore, Pin: 560058, Mob: 9741295446. Kshpra Engineering&Services, Fathima Eilidginge, 16, cabin No 3 85 3rd Floor, 2nd Cross S.G Narayana Layout, Bangalore, Karnataka, Pin: 560027, Mob: 9886502505. Mini Sales And Tools Service, No.12, 1st Floor, r.k.bulding, 1st Cross, N.R.Road, Bangalore, Karnataka, Pin: 560002, Mob: 91 98450 36264, Tel: 26702375. New Bangalore Power Tools No-6374,first Floor, Muniyappa Complex, Opp.i.b.p.petrol Bunk, Jalahalli Cross, Bangalore, Karnataka, Pin: 560057, Mob: 9980013389, Tel: 25900650. Patel Trading Corporation, 1st Floor, No. 57/3, Sardar Patrapura Road, Bangalore, Karnataka, Pin: 560018, Mob: 98452 92883, Tel: 41247774. Vishal Enterprises I Floor, No.5 Mandi Veerappa Lane, S.J.P. Road Cross, Bangalore, Karnataka, Pin: 560002, Tel: 080-2236187. Vikrant Sales Corporation, Khanapur Road, Udattambag, Belgaum, Karnataka, Pin: 590008, Mob: 9480422522, Tel: 441256. City Tools Center, Ismail Complex, N H-17 Main Road, Bhatkal, Karnataka, Pin: 581320, Mob: 9484791748. Sagar Electricals, Shop No. 55 Cmc Complex, Bagalkot Cross, Bijapur, Karnataka, Pin: 586101, Mob: 9448440229, Tel: 08352-22637. A B Agencies Razak Building, Koppikar Road, Koppikar Road, Hubli, Karnataka, Pin: 580020, Mob: 990016001, Tel: 0836-2366612. Lakshmi Sales Corporation, Lakshmi Towers, Main Road,kulai, Manglore, Pin: 574196, Tel: 0824-2407836.

KERALA: Tool Tech Inc, Door No. 16/931 & 932b, Aradhana Tourist Home, Kallai Road, Calicut, Pin: 673002, Mob: 9388485464, Tel: 0495 4025071. Powerool Enterprises, 44/2133c, Freedom Road, Kallor, Kochi, Kerala, Pin: 682017, Mob: 9895405593, Tel: 0484-4047593. Tool World, 44/2708c Karappully, Deshabhinilai Road, Kochi, Kerala, Pin: 682017, Mob: 9388485378, Tel: 0484-3295564/2409745. Vindia Enterprises, 39/3666, Ravipuram Road, Ernakulam, Cochin, Kerala, Pin: 682016, Mob: 9847219831, Tel: 0484-2356924. Kolar Mill Stores Pvt. Ltd., 18/1819 Kolar Buildings, Opp Police Station, Up Hill P.O. Mallapuram, Pin: 676505, Mob: 9497 32 00 00, Tel: 0483-2730603. Vulcan Metals, 17/327, Nh 47, Manappullikkav, Palakkad, Pin: 678013, Tel: 0491 2506200/2506300. Tool Mec, XII/689/27, Mars Complex, Poothole Road, Thrissur, Kerala, Pin: 680004, Tel: 0487-2389739. **TAMIL NADU:** B. R. Enterprises, No. 1470, Broadway, Chennai, Tamil Nadu, Pin: 600108, Mob: 9381071188, Tel: 044-42620709/42620710. Chennai Power Tools And Electricals, No-648, 1st Floor, Mth Road, Mannurpet Padi, Chennai, Pin: 600050, Mob: 9841402911, Tel: 044-26251663. K.S.Engineering Equipments, 16, Trunk Road, Poonamallee, Chennai, Pin: 600056, Mob: 9840986541, Tel: 044-26492223. M/s.royal Tools Agencies, Old.No.11, New.No.21, Errabalu Street, Chennai, Pin: 600 001, Mob: 044-2538 3048, Tel: 9884176366. Professional Power Tools Sales & Service, No 77/155, Broadway, Chennai, Pin: 600108, Mob: 984186478, Tel: 044-64555872. Shrinima Power Tools, No. 13, Old Mahabalipuram Road, Kandanchavai, Chennai, Tamil Nadu, Pin: 600096, Mob: 9884489709, Tel: 044-64534203. Sri Khatiyani Enterprises, H-24, Central Avenue, Korattur, Chennai, Tamil Nadu, Pin: 600080, Mob: 9841810789, Tel: 044-26873550/42878495. Aardwolf Engineering Co., No. 180 A/9, Dr. Nanjappa Road, Nsp Complex, Coimbatore, Coimbatore, Tamil Nadu, Pin: 641018, Mob: 9363101650, Tel: 0422-2301884/2380974. Orient Equipment & Services, P.B. No. 3795, Shop No G-5, V. R. Arcade 295, Dr. Nanjappa Road, Coimbatore, Tamil Nadu, Pin: 641018, Mob: 9842265222, Tel: 0422-2236432/2238507. Banu Tools, Plot No 7, Amaravathi Towers, Vasavi Street, near Kvb Bank, Nh 7, Bye Pass Road, Hosur, Pin: 635109, Mob: 9443242102, Tel: 04344-242102. Sri Balaramuram Agencies, No.100, t.k, nambi Street, Kanchipuram, Pin: 630501, Mob: 7200726026, Tel: 044-27223444. Sanker Sales Corporation, No. 270, West Masi Street, Madurai, Tamil Nadu, Pin: 625001, Mob: 9994135241, Tel: 0452-2341803. Sri Andal Agencies, 47/10e Devangapuram Extn St, Shevapet, Salem, Pin: 636002, Mob: 9362755919, Tel: 0427 2223718. Sri Andal Power Tools, No. 5, A Block, See Complex, Madurai Road, Trichy, Pin: 620008, Mob: 9944262656, Tel: 0431 4544271. **GOA:** Mech-tech Engineering Systems, G-2, Emerald Towers, M.G. Road, Opp State Bank Zonal Office, Panji, Goa, Pin: 403001, Mob: 9822122921, Tel: 0832-223601. S.K. Trading, Shop No 4 Esteve Apartment, Near Alua Hotel, Mercos, Panjim Pin:403005, Mob: 9270143918. S.S.Hitech Engineering, Shop No-2, Laxot Apts, Near Ktc Bus Stand, Vasco-da-Gama, Goa, Pin: 403802, Mob: 9822904784/9422743330, Tel: 0832-6483256. **GUJARAT:** Mark Engineering, No. A-13, Jay Raj Complex, opp B.P Petrol Pump, Sani Ni Chawli Chur Rusta, Odhav, Ahmedabad, Pin: 382415, Tel: 079-29092442. Rushabh Traders, Mirna Chamber, Opp Syndicate Bank, Kadia Kuli, Relief Road, Ahmedabad, Pin: 380001, Mob: 9327070493, Tel: 079 22180265. Shivam Sales & Services, No. 28, Kalpesh Rang Upan Soci, opp Vastapur Railway Station, Bhot Bhavani Mandir Road, vejalpur, Ahmedabad Pin: 380007, Tel: 079-69501111. Shree Maruti Tools, B/5, new Shivkripa Apartment, Opp, Agiyaras Mata Mandir, Nava, Ahmedabad, Gujarat, Pin: 380013, Mob: 9724313764 & 9426513764, Tel: 079-7643580/7. Shyam Trading 34, Green Villa, Nr. H.B. Kapadia School, Gurukul Road, Memnagar, Ahmedabad, Gujarat, Pin: 380052, Mob: 9825505794, Tel: 079 66522025. Chintan Electricals, Plot No-1006, gdc Estate, Ankleshwar, dist-bharuch, Pin: 393002, Mob: 9033533735. Khatri Engineering Company, D.B.Z. - S - 139, Near Pitman's Gas, Gandhidham, Gujarat, Pin: 370201, Mob: 9898250681, Tel: 02836-222921/236466. Jay Enterprise, Dhebar Road, Near Ashok Guest House, Rajkot, Pin: 360001, Mob: 9824456452, Tel: 0281-2236235. National Power Tools (Surat), Hq4-142, Rushabh Towers, Near Jain Temple, Adhar Patia, Rander Road, Surat, Pin: 395009, Mob: 9898034200. Soham Repairing Center, 11, rameshwar Society, Beside Rudraksh Residence, kapodra Crossing, Varucha Road Surat, Mob: 9898231287. Vikram Engineers, M.G.Road, No-4, Sanghavi House, Udyanagar, Udhana, Pin: 394210, Mob: 9427137657, Tel: 0261-2274025. Hariom Enterprise, C/1b 888/1, gdc, Makapur, Vadodra, Gujarat, Pin: 390001, Mob: 9974027579, Tel: 0265-6543678. B H Traders, No. C-37, Busy Bee Complex, Hanuman Mandir, Bhadkamora, G.I.D.C. Vapi, Pin: 396195, Mob: 9825803227, Tel: 0260-2450808. **MADHYA PRADESH:** Bhopal Tools, No. 64, Hamidia Road, Bhopal, Madhya Pradesh, Pin: 462001, Mob: 9826335611, Tel: 736173. Pioneer Marketing Services, 223, Shastri Market, 2nd Floor, Indore, Madhya Pradesh, Pin: 452007, Mob: 9826053800, Tel: 0731-2538007. Reliable Power Tools, #12 Jawahar Marg, near Patel Bridge, Shalimar Piazza, 1st Floor, shop No.9, Madhya Pradesh, Pin: 452007, Mob: 9425317352, Tel: 0731-2366352. Vaishno Enterprises, Birla Road, Kolgawan, Satna, Madhya Pradesh, Pin: 485001, Mob: 9425173350, Tel: 251450. **MARAHASHTRA:** Datta Enterprises, N-16, Nimbalkar Road, Mid Industrial Area, Ahmednagar, Maharashtra, Pin: 414111, Mob: 9225300400/9225310081, Tel: 0241-6611310/6611310. R B Machinery, Malpura Chowk, Akola, Maharashtra, Pin: 444001, Mob: 9850280021, Tel: 0724-2424354. Machine Tools Centre, Safed Pool Andheri, Kuria Road, Next To Petrol Pump, Andheri, Mumbai, Pin: 400072, Mob: 9820827827. Spa Technical Services Pvt Ltd, 21-22 Navketan, Mahakali Caves Road Andheri (E), Mumbai, Pin: 400093, Mob: 9867259858. Unique Agencies, Marol Maroshi Road, Marol, Mumbai, Mumbai, Pin: 400059, Mob: 9224295450. Aniket Enterprises, X-324, Near Hdcb Bank, Maharana Pratap Chowk, Balaji Nagar, Mide, Aurangabad, Pin: 431005, Mob: 9552769194, Tel: 0240-2563312 Padmavati Electricals, Opp. Ramanand Colony, Kranti Chowk, Aurangabad, Pin: 431005, Mob: 9823093783, Tel: 0240-2323033. Shao Sales & Services-aurangabad, X-128, babaji Commercial Complex, Bajaj Nagar Mide, Walsaj, Aurangabad, Pin: 431005, Mob: 9823466426/9028028763, Tel: 0240 2555171. Yash Vinayak Electrical, Shop No. 9, Rishabh Apart-1, Near- Central English Academy School, Ostwal Empire, Boisar, Maharashtra, Pin: 401501, Tel: 8407989777. J.B Machinery & Tools, Near St Joseph School, Botha Road, Buldhana, Pin: 443001, Mob: 9422881158, Tel: 07262-46159. Sadaguru Power Tools And Electrical, Kohinoor Centre, Shivaji Chowk, Chakan, Pune, Pin: 410501, Mob: 9822351008, Tel: 0215-645361. Mistry Enterprises Near Prakash Talchis, Parola Road, Dhule, Maharashtra, Pin: 424003, Mob: 9422787930, Tel: 02562-234429. Vardhaman Machine Tools, Shop No 6, Old Manekal Chawl, L.B.S Marg, Near Telephone Exch, Ghatkopar (W) Mumbai, Pin: 400086, Mob: 9820534052. Sapana Enterprises, Panchanga Factory To Shampur Road, Near Kothari Szing, P. O - Ganagan, Ichalkaranji, Maharashtra, Pin: 416116, Mob: 9821678843, Tel: 0230-2495157. S.P. Shah & Sons, Multi Building, Near Natraj Cinema, Jalana, Maharashtra, Pin: 431203, Mob: 9422215827. Kaurenu Industrial Enterprises, No. 5, Laxmi Tower, Neri Naka, Jalgaon, Maharashtra, Pin: 425001, Mob: 9422780632, Tel: 0257-2227384. Shri Gajanan Electricals & Machiner, 327-a, Main Gate, Basement, New B.J.Market, Jalgaon, Maharashtra Pin: 422001, Mob: 9422184432, Tel: 0257-2224198. Mahavir Electricals, Shop No 8, Inside B.M.C Market, Khar (W), Mumbai, Pin: 400052, Mob: 9867060793. Sushito Enterprises, B.Under Ground - 1, Prabhakar Plaza, Station Road, Kolhapur, Maharashtra, Pin: 416001, Mob: 9422528000, Tel: 0231-667433. Yash Enterprises, 1446 Bc, Empire Tower, Shop No lg-1, Dasara Chowk, Laxmipuri, Kolhapur, Maharashtra, Pin: 416002, Mob: 9422412411, Tel: 0231-644811. S D Traders, Jamdade Building, Behind Old Power House, Latur, Maharashtra, Pin: 413512, Mob: 9422071082, Tel: 02382-252127. Super Agencies, G Ward, Shop No 6, G. Guranunkar opp Hsg Society, Lonawala, Maharashtra, Pin: 410401, Mob: 9823052516, Tel: 02114-273279. Anil Traders, Shop No 2 Paralkar Wadi, R.C Marg, Chembur Naka, Mumbai, Pin: 400071, Mob: 9322183201. Chaudhary Tools, 33-a, Jayendra Bhuvan, S.K.Bole Road, Dadar (W), Mumbai, Pin: 400028, Tel: 022-66625190. K.Z.Trading Co., 29/12, abid Manzil, 139, Nagdevi St, Mumbai, Mob: 9029024015. Manohar Electric Stores, 10, roshni Building, s.v.road, Oshiwara,jogeshwari (West), Mumbai, Maharashtra, Pin: 401002, Tel: 022-26784783. Nirav Traders, No. 42, Nagdevi Cross Lane, Mumbai, Maharashtra, Pin: 400003, Mob: 9820127192, Tel: 022-3428672/3422928. Raj Machine Tools, ll Nd Floor, 71/73, Nagdevi Street, Mumbai, Maharashtra, Pin: 400003, Mob: 9323910798, Tel: 022-65213643/2035. S. A. Traders, 76, Nagdevi Cross Lane, Shop No 3, Mumbai, Maharashtra, Pin: 400003, Mob: 9870084598, Tel: 022-23400988. Shree Sidhinyak Machine Tools, Shop No 1, Vishwa Mohini Building, Opp Kamla Nehru Shopping Centre, N.S Road , Mulund, Pin: 400080, Mob: 9594015345. Swastik Machine Tools P Ltd, Sambali Nagar, near Savi Hotel, Akurli Road,kandivli (E), Mumbai, Pin: 400101, Mob: 9892269974. Rathi Engineering Company, 31 A, Radke Layout, Opp- Saint Xaviers High School, Nagpur, Maharashtra, Pin: 440016, Mob: 9373107555, Tel: 07104-232221. Union Hardware Stores, Central Avenue, Darodkar Chowk, Near Itwari High School, Nagpur, Pin: 440002, Mob: 9971068950/9822564150. Tel: 2786920. 2777729. Essel Engineers, No.6/7, Khetwadi D, Near Donde Bridge, Untwadi, Cicdo, Nashik, Maharashtra, Pin: 422009, Mob: 9423093243. Messon Traders, No. 994, Main Road, Nashik, Nashik (M.S.), Pin: 422001, Mob: 09970166552. Tel: 0253 2507862. Vidad Engineering & Electricals, Mahadev Nagar Corner, Near Satpur Bus Stop, Satpur - Trimbak Road Satpur, Nashik, Pin: 422007, Mob: 9822049760, Tel: 0253 2363567, Fine Electrical Works, Shop No -3 janta Market, Plot No 3 & 4, Sec-23, Nr Sadguru Tool,turbhe ,navi Mumbai, Navi Mumbai, Pin: 400705, Mob: 9322290574. New Bombay (Hardware) Traders Pvt, Plot No 107, Sector-23, Turbhe Service Industries, Near Janta Market, Yashi, Navi Mumbai, Pin: 400705, Mob: 9820127192, Tel: 022-6793797/27835529. Shree Ambica Machine Tools, Shop No 26, Shivaji Chowk, Osmanabad, Maharashtra, Pin: 413501, Mob: 9881096188, Tel: 0242-227281. Everest Enterprises, Sukhwani Nest, Shop No 7, Vidhyam Nagar, Pimpri, Pune, Pin: 411018, Tel: 27333522. Faith Machinery Stores, Tip Top Bldg, Shop No-6&7, 550b, Nanapeth, Near Chacha Halwai Chowk, Laxmi Road, Pune, Pin: 411002, Tel: 020-26137868/26137663. K.Z Trading Co., Shop No 2, Padamjee Palace, Bhawani Peth, Pune, Pin: 411042. Max Corporation, No. 95, Ganesh Peth, Laxmi Road, Dulya Maruti Chowk, Pune, Maharashtra, Pin: 411002, Mob: 9371006743, Tel: 020-6341647/6344945. Maharashtra, Ram Electricals, Shagun Chowk, Pimpri, Pune, Pin: 411017, Mob: 9850223068. Solanki Enterprises, No. 288b, Rasta Peth, Opp M.S.E.B, Near Sai Motors, Pune, Pin: 411011, Mob: 9822002976, Tel: 020 26120268. Superweld Sources Pvt.Ltd., Near Century Enka, Midel Bhosani, Pune, Maharashtra, Pin: 411026, Tel: 020-30681560. Techno Tools, 1 & 2, P.J. Chambers, Near Ambekar Statue, Pimpri, Pune, Pin: 411018, Mob: 9822040744, Tel: 020 27421967. Tool Max, "Maull" 738, Budhwar Peth, Ganesh Road, Nr. Phadke Hous, Pune, Maharashtra, Pin: 411002, Mob: Tel: 020 32319333. Arc Power Tools & Equipments, Off Chougule Complex, Kupwad Road, Near Railway Gate, Sangli, Maharashtra, Pin: 416415, Mob: 9423871513, Tel: 0233-302185, Shree Sales And Services, Plot No. P-90, Chakan Oil Mill Road, M.I.D.C. Sangli, Maharashtra, Pin: 416436, Mob: 9423871648, Tel: 0233-2645005/5616582. M P Engineers, Shop No -7, Jiwahla Housing Society, Near Bombay Restaurant, Old M.I.D.C, Satara, Maharashtra, Pin: 415001, Mob: 9822637283. New Maharashtra Traders, No. 184 B/1c, Ravipur Peth, Pawai Naka, Satara, Maharashtra, Pin: 415002, Mob: 9422033899, Tel: 02162-35605. Madan J. Dalvi, Gala No 7.1.v.complex, Ramlii Chowk, Railway Line, Solapur, Maharashtra, Pin: 413001, Mob: 9422068351, Tel: 0217-2727051. Siddhtrata Sales & Services, No. 64, Jodhbhavi Peth, Solapur, Pin: 413002, Mob: 9423066906, Tel: 0217 2729911. Suneel Textile Engineering Industry, Plot No. 65, Nagane Nagar, Behind Mahavir Tea Company,kondh-413004, Kondh, Solapur, Pin: 413007, Mob: 982312275, Tel: 0217-622500. Neha Power Tools, Shop No 4, Bhanu Nagar, Dombivli East, Thane, Mob: 9987209787. Super Sales & Services, Monalisa Bldg, Shop No. 5, Harinivas Circle, Thane, Thane, Pin: 400602, Mob: 9892375131, Tel:022-25386845.