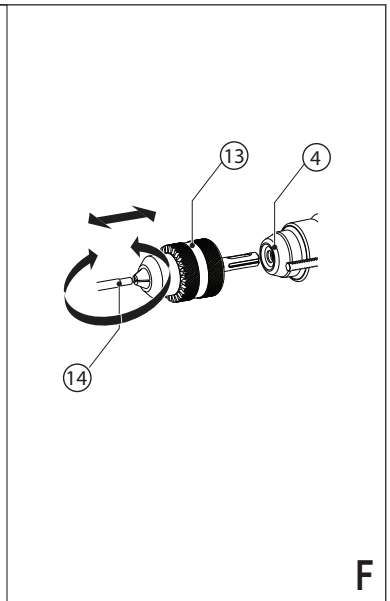
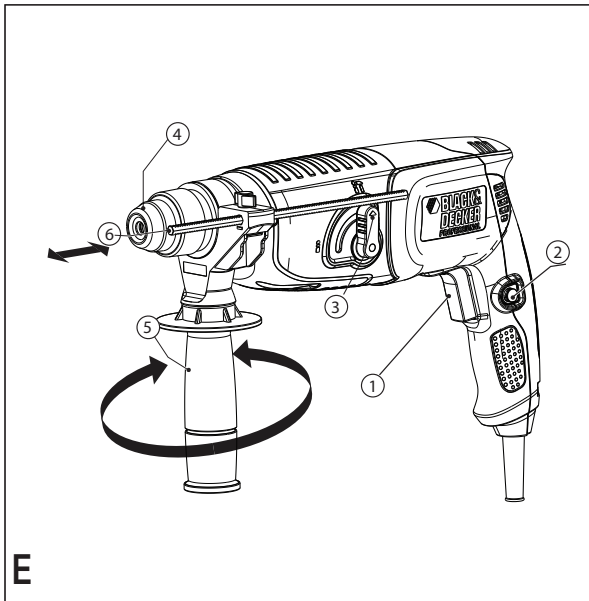
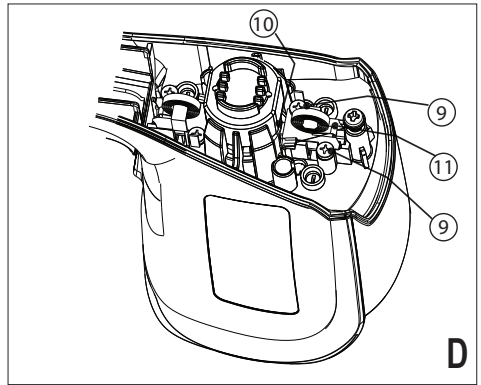
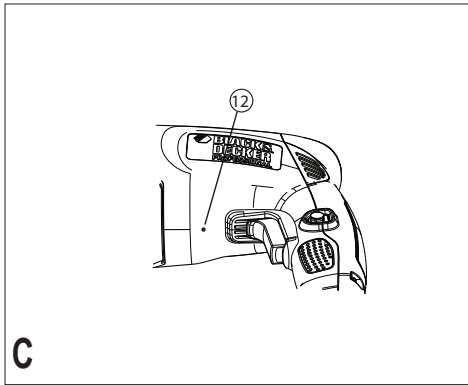
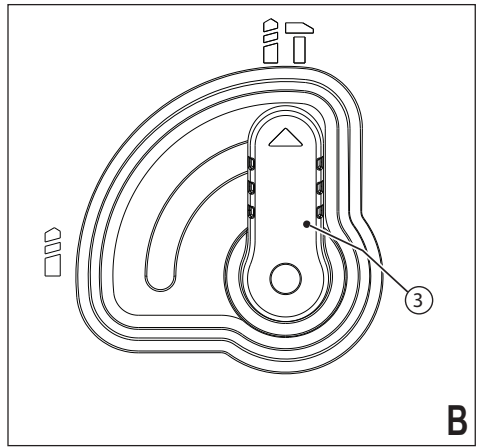
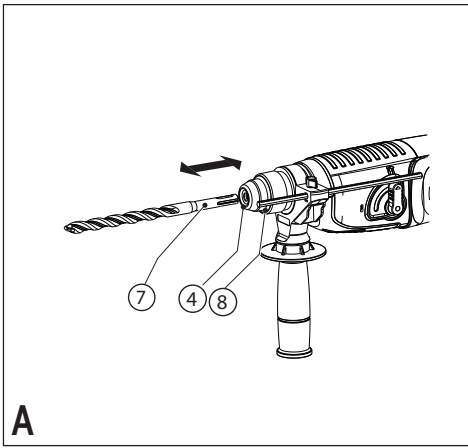


**BPHR202**

**English**  
**简体中文**

**3**  
**8**



\* The picture above may differ slightly to actual unit.

## BPHR202

### Rotary hammer

#### Technical data

Rotary hammer	BPHR202	
Power input	W	620
Voltage	V	220
Frequency	Hz	50
No-load speed	/min	0-1250
Impact rate	BPM	0-3900
Impact energy	J	1.34
Modes	2	
Max drilling capacity	mm	
- Concrete		20
- Steel		13
- Wood		25
Weight	kg	2.6

#### Intended use

Your Black and Decker SDS plus rotary hammer is intended to drill holes in concrete, bricks, wood, and steel.

#### Safety instructions

##### General Power Tool Safety Warnings



**WARNING! Read all safety warnings and all instructions.** Failure to follow the warnings and instructions may result in electric shock, fire and/or serious injury.

##### Save all warnings and instructions for future reference.

The term "power tool" in the warnings refers to your mains-operated (corded) power tool or battery-operated (cordless) power tool.

#### 1. Work area safety

- Keep work area clean and well lit.** Cluttered or dark areas invite accidents.
- Do not operate power tools in explosive atmospheres, such as in the presence of flammable liquids, gases or dust.** Power tools create sparks which may ignite the dust or fumes.
- Keep children and bystanders away while operating a power tool.** Distractions can cause you to lose control.

#### 2. Electrical safety

- Power tool plugs must match the outlet. Never modify the plug in any way. Do not use any adapter plugs with earthed (grounded) power tools.** Unmodified plugs and matching outlets will reduce risk of electric shock.
- Avoid body contact with earthed or grounded surfaces, such as pipes, radiators, ranges and refrigerators.** There is an increased risk of electric shock if your body is earthed or grounded.
- Do not expose power tools to rain or wet conditions.** Water entering a power tool will increase the risk of electric shock.
- Do not abuse the cord. Never use the cord for carrying, pulling or unplugging the power tool. Keep cord away from heat, oil, sharp edges or moving parts.** Damaged or entangled cords increase the risk of electric shock.
- When operating a power tool outdoors, use an extension cord suitable for outdoor use.** Use of a cord suitable for outdoor use reduces the risk of electric shock.
- If operating a power tool in a damp location is unavoidable, use a residual current device (RCD) protected supply.** Use of an RCD reduces the risk of electric shock. NOTE: The term "residual current device (RCD)" may be replaced by the term "ground fault circuit interrupter (GFCI)" or "earth leakage circuit breaker (ELCB)".

#### 3. Personal safety

- Stay alert, watch what you are doing and use common sense when operating a power tool. Do not use a power tool while you are tired or under the influence of drugs, alcohol or medication.** A moment of inattention while operating power tools may result in serious personal injury.
- Use personal protective equipment. Always wear eye protection.** Protective equipment such as dust mask, non-skid safety shoes, hard hat, or hearing protection used for appropriate conditions will reduce personal injuries.
- Prevent unintentional starting. Ensure the switch is in the off-position before connecting to power source and/or battery pack, picking up or carrying the tool.** Carrying power tools with your finger on the switch or energising power tools that have the switch on invites accidents.
- Remove any adjusting key or wrench before turning the power tool on.** A wrench or a key left attached to a rotating part of the power tool may result in personal injury.
- Do not overreach. Keep proper footing and balance at all times.** This enables better control of the power tool in unexpected situations.
- Dress properly. Do not wear loose clothing or jewellery. Keep your hair, clothing and gloves away from moving parts.** Loose clothes, jewellery or long hair can be caught in moving parts.
- If devices are provided for the connection of dust extraction and collection facilities, ensure these are**

**connected and properly used.** Use of dust collection can reduce dust-related hazards.

#### 4. Power tool use and care

- a. **Do not force the power tool. Use the correct power tool for your application.** The correct power tool will do the job better and safer at the rate for which it was designed.
- b. **Do not use the power tool if the switch does not turn it on and off.** Any power tool that cannot be controlled with the switch is dangerous and must be repaired.
- c. **Disconnect the plug from the power source and/or the battery pack from the power tool before making any adjustments, changing accessories, or storing power tools.** Such preventive safety measures reduce the risk of starting the power tool accidentally.
- d. **Store idle power tools out of the reach of children and do not allow persons unfamiliar with the power tool or these instructions to operate the power tool.** Power tools are dangerous in the hands of untrained users.
- e. **Maintain power tools. Check for misalignment or binding of moving parts, breakage of parts and any other condition that may affect the power tool's operation. If damaged, have the power tool repaired before use.** Many accidents are caused by poorly maintained power tools.
- f. **Keep cutting tools sharp and clean.** Properly maintained cutting tools with sharp cutting edges are less likely to bind and are easier to control.
- g. **Use the power tool, accessories and tool bits etc. in accordance with these instructions, taking into account the working conditions and the work to be performed.** Use of the power tool for operations different from those intended could result in a hazardous situation.

#### 5. Service

- a. **Have your power tool serviced by a qualified repair person using only identical replacement parts.** This will ensure that the safety of the power tool is maintained.

- \* **Note:** Mains voltage: When connecting to the mains, it is imperative to verify if the voltage of the mains matches that of the power tool. If the mains voltage exceeds the voltage indicated on the power tool, the user may become severely injured in an accident, and the tool may be damaged. On the contrary, if the mains voltage is lower than the voltage required by the tool, the motor may be damaged as a result. Thus, if it is not possible to verify the voltage, it is imperative not to plug in to the power source.

#### Hammer safety warnings

- ◆ **Wear ear protectors.** Exposure to noise can cause hearing loss.
- ◆ **Use auxiliary handle(s), if supplied with the tool.** Loss of control can cause personal injury.
- ◆ **Hold power tool by insulated gripping surfaces, when performing an operation where the cutting accessory may contact hidden wiring or its own cord.** Cutting accessory contacting a "live" wire may make exposed metal parts of the power tool "live" and could give the operator an electric shock.
- ◆ Never use a chisel accessory in rotary mode. The accessory will bind in the material and rotate the drill.
- ◆ Use clamps or another practical way to secure and support the workpiece to a stable platform. Holding the work by hand or against your body leaves it unstable and may lead to loss of control.
- ◆ Before drilling into walls, floors or ceilings, check for the location of wiring and pipes.
- ◆ Avoid touching the tip of the drill bit after drilling so as to avoid scalding.
- ◆ The intended use is described in this instruction manual. The use of any accessory or attachment or performance of any operation with this tool other than those recommended in this instruction manual may present a risk of personal injury and/or damage to property.

#### Safety of others

- ◆ This appliance is not intended for use by persons (including children) with reduced physical, sensory or mental capabilities, or lack of experience and knowledge, unless they have been given supervision or instruction concerning use of the appliance by a person responsible for their safety.
- ◆ Children should be supervised to ensure that they do not play with the appliance.

#### Other risks

Additional residual risks may arise when using the tool which may not be included in the enclosed safety warnings. These risks can arise from misuse, prolonged use etc. In spite of the application of the relevant safety regulations and the implementation of safety devices, certain risks cannot be avoided. These are:

- ◆ Injuries caused by touching any rotating/moving parts.
- ◆ Injuries caused when changing any parts, blades or accessories.
- ◆ Injuries caused by prolonged use of a tool. When using any tool for prolonged periods ensure you take regular breaks.
- ◆ Impairment of hearing.
- ◆ Health hazards caused by breathing dust developed when using your tool (example:- working with wood, especially oak, beech and MDF.)

## Labels on tool

The following symbols are shown on the tool:



**WARNING!** To reduce the risk of injury, the user must read the instruction manual.

## Position of Date Barcode (Fig. C)

The Date Code (12), which also includes the year of manufacture, is printed into the housing.

Example:

2014 XX JN  
Year of manufacturing

## Electrical Safety



Your tool is double insulated; therefore no earth wire is required. Be sure to check that the power supply corresponds to the voltage on the rating plate. Corresponds.

- ◆ If the supply cord is damaged, it must be replaced by the manufacturer or an authorised Black and Decker Service Centre in order to avoid a hazard.

## Using an Extension Cable

If it is necessary to use an extension cable, please use an approved extension cable that fits the tool's power input specifications (please refer to the technical data). The minimum cross-sectional area of the conducting wire is 1.5 sq. mm. Cables should be untangled before reeling up.

Please refer to the following table.

Cable cross-sectional area (mm <sup>2</sup> )		Cable rated current (Ampere)					
0.75		6					
1.00		10					
1.50		15					
2.50		20					
4.00		25					
		Cable length (m)					
		7.5	15	25	30	45	60
Voltage	Amperes	Cable rated current (Ampere)					
115	0 - 2.0	6	6	6	6	6	10
	2.1 - 3.4	6	6	6	6	15	15
	3.5 - 5.0	6	6	10	15	20	20
	5.1 - 7.0	10	10	15	20	20	25
	7.1 - 12.0	15	15	20	25	25	-
230	12.1 - 20.0	20	20	25	-	-	-
	0 - 2.0	6	6	6	6	6	6
	2.1 - 3.4	6	6	6	6	6	6
	3.5 - 5.0	6	6	6	6	10	15
	5.1 - 7.0	10	10	10	10	15	15
7.1 - 12.0	15	15	15	15	20	20	
12.1 - 20.0	20	20	20	20	25	-	

## Features (Fig. E)

This tool includes some or all of the following features.

1. Variable speed switch
2. Lock-on button
3. Mode selector
4. Tool clamp
5. Side handle
6. Depth stop

## Assembly

**WARNING!** Before assembly, make sure that the tool is switched off and unplugged.

## Attaching the Side Handle (fig. E)

**WARNING!** When drilling holes in concrete or bricks, please use the side handle for your safety.

- ◆ Turn the grip counterclockwise until you can slide the side handle onto the front of the tool.
- ◆ Rotate the side handle into the desired position.
- ◆ Tighten the side handle by turning the grip clockwise.

**WARNING!** When using the tool, remember to install the side handles properly.

## Fitting an accessory (fig.A)

- ◆ Clean and grease the shank (7) of the accessory.
- ◆ Insert the accessory bar into the tool clamp(4).
- ◆ Push the accessory down and turn it slightly until it fits into the slots.
- ◆ Pull on the accessory to check if it is properly locked. The hammering and drilling function requires the accessory to be able to move axially several centimetres when locked in the tool clamp.
- ◆ To remove the accessory, pull back the sleeve (8) and pull out the accessory from the tool clamp.

## Use

**WARNING!** Please operate tool with normal load. Do not overload.

**WARNING!** Before drilling into walls, floors or ceilings, check for the location of wiring and pipes.

## Selecting the Operating Mode (fig. B)

The tool can be used in two operating modes. Based on actual work requirements, the drilling mode selector (3) can be rotated to the required position.

## Hole drilling (Fig. B) (Fig. F)

- ◆ For drilling in steel, wood and plastics, set the operating mode selector (3) to the **(1)** position. At the same time, it is necessary to use a suitable drill chuck (13) (optional accessory) to clamp the attachment rod.

- ◆ Insert the drill chuck (13) into the tool chuck (4) according to the instructions for installing attachments. Turn the drill chuck to loosen the clamps at the front-end of the drill-clamp, and insert the accessory bar (14) into the clamps and turn the chuck in the opposite direction. You may also use the drill chuck key to tighten the clamp.

### Hammer drilling (Fig. B)

- ◆ For hammer drilling in masonry and concrete, set the operating mode selector (3) to the **T1** position.
- ◆ The drill bit has to be placed accurately onto the drill hole position. After that, pull the switch for optimal effects. Make sure the tool is in the correct position to prevent the drill from deviating from the hole.
- ◆ When the drill hole is clogged with debris or fine powder, please don't exert any more pressure. Tool should be put in free-running state before removing part of the drill bit from the hole. If repeated a few times, the blockage in the hole would be cleared, and normal drilling can resume.

**WARNING!** When the drill bit hits cement or the steel rebar in the cement, the tool may recoil dangerously. Please hold the tool tightly in a balanced and stable position at all times to prevent it from recoiling dangerously.

### Overload coupling device

If the drill bit hits caught or hooked, the driving force transmitted to the drill shaft will be cut off. This would generate a strong recoil, so it would be necessary to hold the tool tightly with both hands to remain in a stable position.

### Setting the drilling depth (Fig. E)

The depth stop is a convenient feature to ensure uniformity in drilling depth. Loosen the side handle to adjust the depth gauge according to the required depth. After that, tighten the side handle.

- ◆ Slacken the side handle (5) by turning the grip counter-clockwise.
- ◆ Set the depth stop (6) to the required position. The maximum drilling depth is equal to the distance between the tip of the drill bit and the front end of the depth stop.
- ◆ Tighten the side handle by turning the grip clockwise.

### Switching on and off

**WARNING!** Before plugging in to the power source, make sure the switch can be flipped freely, and can return to its original position once released.

- ◆ To switch the tool on, press the variable speed switch (1). The tool speed depends on how far you press the switch.
- ◆ As a general rule, use low speeds for large diameter drill bits and high speeds for smaller diameter drill bits.
- ◆ For continuous operation, press the lock-on button (2) and release the variable speed switch.

- ◆ To switch the tool off, release the variable speed switch. To switch the tool off when in continuous operation, press the variable speed switch once more and release it.

### Accessories

The performance of your tool depends on the accessory used. Black and Decker accessories are engineered to high quality standards and designed to enhance the performance of your tool. By using these accessories you will get the very best from your tool.

### Maintenance

Your Black and Decker corded/cordless appliance/tool has been designed to operate over a long period of time with a minimum of maintenance. To ensure satisfactory operations, the tool must be maintained and cleaned regularly

**WARNING!** Before performing any maintenance on corded/cordless power tools:

- ◆ Switch off and unplug the appliance/tool.
- ◆ Or switch off and remove the battery from the appliance/tool if the appliance/tool has a separate battery pack.
- ◆ Or run the battery down completely if it is integral and then switch off.
- ◆ Unplug the charger before cleaning it. Your charger does not require any maintenance apart from regular cleaning.
- ◆ Regularly clean the ventilation slots in your appliance/tool/charger using a soft brush or dry cloth.
- ◆ Regularly clean the motor housing using a damp cloth. Do not use any abrasive or solvent-based cleaner.
- ◆ Regularly open the chuck and tap it to remove any dust from the interior (when fitted).

### Replace the carbon brush (Fig. D)



### Lubrication

- ◆ Regularly replace and inspect the carbon brush. Once completely worn out by continuous wear and tear, it will have to be replaced. Must keep carbon brush clean and sliding freely within the brush holder. Both carbon brushes have to be replaced at the same time.
- ◆ Remove the fixed screws (9) on the carbon brush to remove the carbon brush (10) and brush holder.
- ◆ Remove the coil spring supporting the carbon brush (11) in the brush holder, and insert a new carbon brush that meets the specifications.

- ◆ Set up the brush holder again and return the supporting coil spring to its original position.



## Cleaning



**WARNING!** Blow dirt and dust out of the main housing with dry air as often as dirt is seen collecting in and around the air vents. Wear approved eye protection and approved dust mask when performing this procedure.



**WARNING!** Never use solvents or other harsh chemicals for cleaning the non-metallic parts of the tool. These chemicals may weaken the material of the parts. Use only mild soap and damp cloth to clean the tool. Never let any liquid get inside the tool; never immerse any part of the tool into liquid.

## Protecting The Environment



Separate collection. This product must not be disposed of with normal household waste.

Should you find one day that your Black and Decker product needs replacement, or if it is of no further use to you, do not dispose of it with household waste. Please sort it out for separate recycling.



Separate collection of used products and packaging allows materials to be recycled and used again. Reuse of recycled materials helps prevent environmental pollution and reduces the demand for raw materials.

Some local governments may require the local or municipal waste disposal centers or retailers of new products to provide households with electronic product recycling services.

## BPHR202 电锤

### 技术数据

电锤	BPHR202	
输入功率	W	620
电压	V	220
频率	Hz	50
空载转速	/min	0-1250
冲击率	BPM	0-3900
冲击能量	J	1.34
模式		2
最大钻孔能力	mm	
- 混凝土		20
- 钢材		13
- 木材		25
重量	kg	2.6

### 设计用途

您的百得SDS plus 电锤设计用于在混凝土, 砖石, 木材和钢材上钻孔。

### 安全说明

#### 电动工具通用安全警告



**警告！** 阅读所有警告和所有说明。不遵照以下警告和说明会导致电击、着火和/或严重伤害。

保存所有警告和说明书以备查阅。在所有下列的警告中术语“电动工具”指市电驱动（有线）电动工具或电池驱动（无线）电动工具。

#### 1. 工作场地的安全

- 保持工作场地清洁和明亮。混乱和黑暗的场地会引发事故。
- 不要在易爆环境，如有易燃液体、气体或粉尘的环境下操作电动工具。电动工具产生的火花会点燃粉尘或气体。
- 让儿童和旁观者离开后操作电动工具。注意力不集中会让你失去对工具的控制。

#### 2. 电气安全

- 电动工具插头必须与插座相配。绝不能以任何方式改装插头。需接地的电动工具不能使用任何转换插头。未经改装的插头和相配的插座将减少电击危险。
- 避免人体接触接地表面，如管道、散热片和冰箱。如果你身体接地会增加电击危险。
- 不得将电动工具暴露在雨中或潮湿环境中。水进入电动工具将增加电击危险。
- 不得滥用电线。绝不能用电线搬运、拉动电动工具或拔出其插头。使电线远离热源、油、锐边或运动部件。受损或缠绕的软线会增加电击危险。
- 当在户外使用电动工具时，使用适合户外使用的外接软线。适合户外使用的软线将减少电击危险。
- 如果在潮湿环境下操作电动工具是不可避免的，应使用剩余电流动作保护器（RCD）。使用RCD可减小电击危险。

#### 3. 人身安全

- 保持警觉，当操作电动工具时关注所从事的操作并保持清醒。当你感到疲倦，或在有药物、酒精或治疗反应时，不要操作电动工具。在操作电动工具时瞬间的疏忽会导致严重人身伤害。
- 使用个人防护装置。始终佩戴护目镜。安全装置，诸如适当条件下使用防尘面具、防滑安全鞋、安全帽、听力防护等装置能减少人身伤害。
- 防止意外起动。确保开关在连接电源和/或电池盒、拿起或搬运工具时处于关断位置。手指放在已接通电源的开关上或开关处于接通时插入插头可能会导致危险。
- 在电动工具接通之前，拿掉所有调节钥匙或扳手。遗留在电动工具旋转零件上的扳手或钥匙会导致人身伤害。
- 手不要伸展得太长。时刻注意立足点和身体平衡。这样在意外情况下能很好地控制电动工具。
- 着装适当。不要穿宽松衣服或佩戴饰品。让你的衣服、手套和头发远离运动部件。宽松衣服、配饰或长发可能会卷入运动部件中。
- 如果提供了与排屑、集尘设备连接用的装置，要确保他们连接完好且使用得当。使用这些装置可减少尘屑引起的危险。

#### 4. 电动工具使用和注意事项

- 不要滥用电动工具，根据用途使用适当的电动工具。选用适当设计的电动工具会使你工作更有效、更安全。
- 如果开关不能接通或关断工具电源，则不能使用该电动工具。不能用开关来控制的电动工具是危险的且必须进行修理。
- 在进行任何调节、更换附件或贮存电动工具之前，必须从电源上拔掉插头和/或使电池盒与工



具脱开。这种防护性措施将减少工具意外起动的危险。

- d. 将闲置不用的电动工具贮存在儿童所及范围之外，并且不要让不熟悉电动工具或对这些说明不了解的人操作电动工具。电动工具在未经培训的用户手中是危险的。
- e. 保养电动工具。检查运动件是否调整到位或卡住，检查零件破损情况和影响电动工具运行的其他状况。如有损坏，电动工具应在使用前修理好。许多事故由维护不良的电动工具引发。
- f. 保持切削刀具锋利和清洁。保养良好的有锋利切削刃的刀具不易卡住而且容易控制。
- g. 按照使用说明书，考虑作业条件和进行的作业来使用电动工具、附件和工具的刀头等。将电动工具用于那些与其用途不符的操作可能会导致危险。

## 5. 维修

- a. 将你的电动工具送交专业维修人员，使用同样的备件进行修理。这样将确保所维修的电动工具的安全性。

**\*注意：**电源电压：接电时，一定要注意电源电压是否与工具铭牌上所示的电压相同，电源电压高于工具的适用电压时，将令使用人发生严重事故，同时也将损毁工具本身。相反的，如电源电压低于工具的所需电压，则将有害于马达的。因此，如未能确定电源电压时，绝不可随便插上插头。

## 锤类工具的安全警告

- ◆ 戴好耳罩。暴露在噪声中会引起听力损伤。
- ◆ 使用随工具提供的辅助手柄。操作失手会引起人身伤害。
- ◆ 在切削附件可能触及暗线或其自身软线之处进行操作时，要通过绝缘握持面来握持工具。切削附件碰到带电导线会使工具外露的金属零件带电从而使操作者受到电击。
- ◆ 请勿在旋转模式下使用凿子附件。附件将卡在材料中并旋转电钻。
- ◆ 请使用夹具或采取其它可行的方法，把工件可靠地固定在稳定的平台上。手持或用身体顶住工件都是不稳定的，会导致操作失控。
- ◆ 在墙上、地板或天花板上钻孔之前，请先检查电线和钢管位置。
- ◆ 避免在钻孔后立刻触碰钻头顶端，以免烫伤。
- ◆ 本使用手册描述了工具的设计用途。使用非本使用手册所建议的任何其他附件或配件，或者使用本工具执行非手册建议的任何其他操作，都可能

存在人身伤害和/或财产损失的危险。

## 他人安全

- ◆ 本设备不适合体力、感官或智力不足以及缺乏经验、知识的人员（包括儿童），除非负责他们安全的人员已经为他们提供关于使用此设备的监督或指示。
- ◆ 应看管好儿童，以确保他们不将此设备当做玩具来玩。

## 其他风险

使用工具时，可能出现本安全警示之外的其他剩余风险。这些风险可能来自使用不当，使用时间过长等。尽管遵守了相关的安全法规并采用了安全装备，某些风险仍然是无法避免的。这些风险包括：

- ◆ 接触旋转/运动部件时所导致的伤害风险。
- ◆ 更换部件、锯片或附件时所导致的伤害风险。
- ◆ 长期使用工具所导致的伤害风险。长期使用任何工具时，均应定期休息。
- ◆ 听力损伤。
- ◆ 吸入工具使用过程中产生的粉尘导致的健康危害（例如，锯切木材，特别是橡木、山毛榉和中密度纤维板时）。

## 工具上的标签

工具上显示了下列符号：



**警告！**为降低伤害风险，用户必须阅读使用手册。

## 日期码位置（图 C）

日期码(12)印在工具外壳上，其中还包含制造年份。

例如： 2014 XX JN

制造年份

## 电气安全



本工具采用双重绝缘，因此无需接地线。请务必检查电源电压是否与铭牌上的电压一致。

- ◆ 如果电源线损坏，必须由制造商或百得授权服务中心更换，以避免发生危险。

## 使用延长线缆

如需使用延长线缆，请使用符合该工具电源输入规格(参见技术资料)经核准的延长线缆。导线最小横截面积为1.5平方毫米。使用线缆卷筒时，应将线缆完全松开。  
请参考以下表格。

线缆横截面积 (平方毫米)		线缆额定电流 (安培)					
0.75		6					
1.00		10					
1.50		15					
2.50		20					
4.00		25					
线缆长度 (米)							
		7.5	15	25	30	45	60
电压	安培	线缆额定电流 (安培)					
115	0 - 2.0	6	6	6	6	6	10
	2.1 - 3.4	6	6	6	6	15	15
	3.5 - 5.0	6	6	10	15	20	20
	5.1 - 7.0	10	10	15	20	20	25
	7.1 - 12.0	15	15	20	25	25	-
230	12.1 - 20.0	20	20	25	-	-	-
	0 - 2.0	6	6	6	6	6	6
	2.1 - 3.4	6	6	6	6	6	6
	3.5 - 5.0	6	6	6	6	10	15
	5.1 - 7.0	10	10	10	10	15	15
7.1 - 12.0	15	15	15	15	20	20	
12.1 - 20.0	20	20	20	20	25	-	

## 部件名称 (图 E)

本工具包含如下部分或全部部件：

1. 变速开关
2. 锁定按钮
3. 模式选择器
4. 工具夹头
5. 侧手柄
6. 深度尺

## 组装

**警告！** 组装前，请确保关闭工具电源并拔出工具插头。

### 安装侧手柄 (图 E)

**警告！** 在混凝土、砖石等表面钻孔时请务必使用侧手柄以确保操作安全。

- ◆ 逆时针转动手柄，直到您可以将侧手柄滑动至工具正面为止。
- ◆ 将侧手柄转入所需位置。
- ◆ 通过顺时针转动手柄转紧侧手柄。

**警告！** 使用本工具时，切记将侧手柄适当的装好

### 安装附件 (图 A)

- ◆ 清洁并润滑附件杆(7)。
- ◆ 将附件杆插入工具夹头(4)。
- ◆ 按下附件并稍微转动，直到附件安装到插槽里。
- ◆ 拉动附件以检查它是否锁定到位。锤钻功能需要附件在锁定到工具夹头中时可以轴向移动数厘米。
- ◆ 如果要取出附件，请向后拉动套管(8)，然后将附件从工具夹头中拉出。

## 使用

**警告！** 请使工具在正常负荷下工作，切勿过载。

**警告！** 在墙上、地板或天花板上钻孔之前，请先检查电线和钢管位置。

### 选择操作模式 (图 B)

本工具可在二种操作模式下使用。根据实际工作需要，将钻孔模式选择器(3)旋转到所需位置。

### 钻孔 (图 B) (图 F)

◆ 在钢材、木材和塑料上钻孔时，请将操作模式选择器(3)设置到 **T1** 位置。同时需要使用钻夹头 (13) (选购附件) 来夹持适合的附件杆。

◆ 按照“安装附件”的方法将钻夹头 (13) 装入工具夹头 (4) 内；旋松钻夹头前方的夹持部位，将附件杆 (14) 插入夹持部位反方向旋紧，也可使用钻夹头钥匙旋紧夹持部位；

### 冲击钻孔 (图 B)

- ◆ 使用电锤在砖石和混凝土中钻孔时，请将操作模式选择器 (3) 设置到 **T2** 位置。
- ◆ 钻头对准需钻孔的位置，然后扣动开关按钮效果最佳。保持工具定位正确，防止工具偏离孔位。
- ◆ 钻孔被碎片或粉屑堵塞时，请勿进一步施压，而应使工具空转，然后从孔眼中退出部分钻头。如此重复数次便可将孔眼清理干净，重新开始正常钻孔。

**警告！** 钻头开始击穿混凝土或冲击混凝土中的钢筋时，工具可能产生危险的反作用力。请始终保持平衡、稳定的姿势并双手握牢工具，从而防止产生危险的反作用力。

### 超负荷联结装置

如果钻头被夹住或钩住，传向钻轴的驱动力便会被切断。此刻会发生巨力，因此操作时必须以双手握紧机器，并确保立足稳固。

### 选择钻孔深度 (图 E)

深度尺是一种使用方便，确保钻孔深度统一的工具。旋松侧手柄，按所需深度调整深度规，然后旋紧侧手柄。

- ◆ 通过逆时针转动手柄转松侧手柄(5)。
- ◆ 将深度尺(6) 设置到所需位置。最大钻孔深度相等于钻头尖端与深度尺前端末端之间的距离。
- ◆ 通过顺时针转动手柄转紧侧手柄。

## 启动与关闭

**警告！**在插入电源插头之前，请务必确认开关是否能够扣动自如，释放后能够退回原位。

- ◆ 要开启工具，请按下变速开关(1)。工具转速取决于您按压开关的程度。
- ◆ 按照常规，使用大直径钻头时采用低速，使用小直径钻头时则采用高速。
- ◆ 要使工具连续运行，请按下锁定按钮(2)，然后松开变速开关。
- ◆ 要关闭工具，请松开变速开关。要在持续操作时关闭工具电源，请再次按下变速开关然后松开。

## 附件

电动工具的性能取决于所使用的附件。百得附件按照高质量标准设计，旨在增强电动工具的性能。使用这些附件会令您的工具如虎添翼。

## 维护

本百得有有线/无线设备/工具设计精良，可以长期使用，而且只需极少的维护。要持续获得令人满意的工作效果，需要对工具进行适当的维护和定期清洁。

**警告！**对有线/无线电动工具进行任何维护工作之前，必须：

- ◆ 闭电源并拔下设备/工具插头。
- ◆ 如果设备/工具配有独立电池组，请关闭电源并从设备/工具上取下电池。
- ◆ 如果设备/工具配有一体式电池，请将电池电量耗尽后，然后再关闭电源。
- ◆ 清洁之前，先拔下充电器插头。您的充电器除了需要定期清洁外，不需要执行任何保养操作。
- ◆ 定期使用软刷或干布清洁设备/工具/充电器内的通风槽。
- ◆ 定期使用湿布清洁电动机外壳。请不要使用任何研磨性或基于溶剂的清洁剂。
- ◆ 定期打开夹头并轻敲以去除内部的任何粉尘（安装后）。

## 替换碳刷（图 D）



### 润滑

- ◆ 定期替换和检查碳刷。当其磨损到界限磨损线时，就需要替换。要保持碳刷清洁并使其在刷握内能自由滑动。两只碳刷应同时替换。

- ◆ 将碳刷刷握固定螺丝(9)卸除，取下碳刷(10)及刷握。
- ◆ 将刷握上盘簧顶持碳刷部位(11)拔出，装进符合规格的新碳刷。
- ◆ 将刷握重新安装好，盘簧顶持部位拨回原位。



### 清洁



**警告！**一旦通风口和周围积聚了可见的粉尘请立即用干燥的空气吹走主机外壳内的粉尘和灰尘。执行此过程时，需戴上经认可的护目装备和防尘面具。



**警告！**切勿使用溶剂或其他刺激性化学制品来清洁工具的非金属部件。这些化学物质可能会削弱这些部件使用的材料。请用布蘸温和的肥皂水擦拭。切勿让任何液体渗入工具，切勿让工具的任何部分浸在液体中。

## 保护环境



分类回收。本产品不得与普通家庭垃圾一起处理。

如果您发现您的百得产品需要更换或您已经不再需要使用这些产品，请不要将它们与家庭垃圾一起处理。请将它们单独分类回收。



分类回收使用过的产品和包装能够让材料得以再循环和再利用。再生材料的再利用有助于防止环境污染，并降低对原材料的需求。

当地法规可能要求由市政废物处理点或向您出售新产品的零售商提供从家庭中分类回收电气产品的服务。

制造商：史丹利五金工具（上海）有限公司  
 制造商地址：上海市外高桥保税区泰谷路88号  
 丰谷大楼六层676A室  
 产地：江苏启东

