

INSTRUCTION MANUAL

CATALOG NUMBERS. FS84, FS132, FS156, PS130, PS140, PS145

BEFORE RETURNING THIS PRODUCT
FOR ANY REASON PLEASE CALL

1-800-54-HOW-TO (544-6986)

IF YOU SHOULD EXPERIENCE A PROBLEM
WITH YOUR BLACK & DECKER PURCHASE,
CALL 1-800-54-HOW-TO (1-800-544-6986).
IN MOST CASES, A BLACK & DECKER REPRESENTATIVE
CAN RESOLVE YOUR PROBLEM OVER THE PHONE.
IF YOU HAVE A SUGGESTION OR COMMENT,
GIVE US A CALL. YOUR FEEDBACK IS VITAL
TO THE SUCCESS OF BLACK & DECKER'S QUALITY
IMPROVEMENT PROGRAM.

KEY INFORMATION YOU SHOULD KNOW:

- Battery pack must be charged for three hours before initial use.
- The batteries in your new power pack are not fully charged! First read the safety instructions below. Then follow charging notes and procedures.

SAVE THIS MANUAL FOR FUTURE REFERENCE.

VEA EL ESPAÑOL EN LA CONTRAPORTADA.

INSTRUCTIVO DE OPERACIÓN, CENTROS DE SERVICIO Y PÓLIZA DE
GARANTÍA. **ADVERTENCIA:** LÉASE ESTE INSTRUCTIVO ANTES DE USAR EL
PRODUCTO.

Cat Nos. FS84 / FS132 / FS156 / PS130 / PS140 / PS145 Form No. 154804 (JUL99)

Copyright © 1999 Black & Decker Printed in China

WARNING: FOR SAFE OPERATION READ INSTRUCTION MANUAL.

IMPORTANT SAFETY INSTRUCTIONS

- WARNING:** When using electric tools basic Safety precautions should always be followed to reduce the risk of fire, electric shock, and personal injury including the following:
1. This manual contains important safety and operating instructions.
 2. Before using battery charger, read all instructions and cautionary markings on (1) battery charger, (2) battery, and (3) product using battery.
 3. **CAUTION:** To reduce the risk of injury, charge only Black & Decker Power Packs. Other types of batteries may burst causing personal injury and damage.
 4. Do not expose charger to rain or snow.
 5. Use of an attachment not recommended or sold by Black & Decker may result in a risk of fire, electric shock, or injury to persons.
 6. To reduce risk of damage to electric plug and cord, pull by plug rather than cord when disconnecting charger.
 7. Make sure cord is located so that it will not be stepped on, tripped over, or otherwise subjected to damage or stress.
 8. An extension cord should not be used unless absolutely necessary. Use of improper extension cord could result in a risk of fire, electric shock or electrocution.
 - a. Two-wire cords can be used with 2-wire or 3-wire extension cords. Only round jacketed extension cords should be used, and we recommend that they be listed by Underwriters Laboratories (U.L.). If the extension is to be used outside, the cord must be suitable for outdoor use. Any cord marked for outdoor use can also be used for indoor work. The letters "W" or "WA" on the cord jacket indicate that the cord is suitable for outdoor use.
 - b. An extension cord must have adequate wire size (AWG or American Wire Gauge) for safety, and to prevent loss of power and overheating. The smaller the gauge number of the wire, the greater the capacity of the cable; that is, 16 gauge has more capacity than 18 gauge. When using more than one extension to make up the total length, be sure each extension contains at least the minimum wire size.

CHART FOR MINIMUM WIRE SIZE (AWG) OF EXTENSION CORDS
NAMEPLATE RATING AMPS - 0 - 10.0

Total Extension Cord Length (ft)	25	50	75	100	125	150
Wire Gauge	18	18	16	16	14	14

- Use only the supplied charger when charging your drill. The use of any other charger could damage the drill or create a hazardous condition.
- Use only one charger when charging.
- Do not attempt to open the charger or the drill. There are no customer serviceable parts inside. Return to any authorized Black & Decker service center.
- DO NOT incinerate the drill or battery packs even if they are severely damaged or completely worn out. The batteries can explode in a fire.
- Do not incinerate the batteries. They can explode in a fire. A small leakage of liquid from the battery cells may occur under extreme usage, charging or temperature conditions. This does not indicate a failure. However, if the outer seal is broken and this leakage gets on your skin:
 - a. Wash quickly with soap and water.
 - b. Neutralize with a mild acid such as lemon juice or vinegar.
 - c. If the battery liquid gets in your eyes, flush them with clean water for a minimum of 10 minutes and seek immediate medical attention. **MEDICAL NOTE:** The liquid is a 25-35% solution of potassium hydroxide.

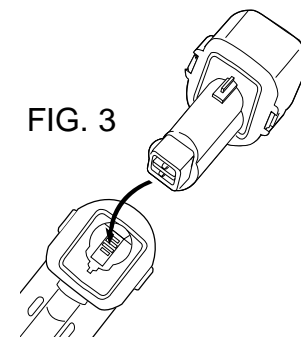
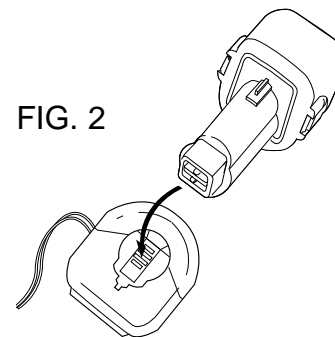
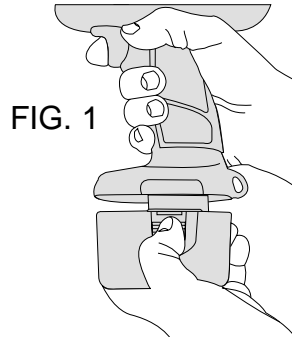
SAVE THESE INSTRUCTIONS FOR FUTURE USE

CHARGING THE POWER PACK

THE BATTERIES IN YOUR POWER PACK ARE NOT FULLY CHARGED AT THE FACTORY. BEFORE ATTEMPTING TO CHARGE THEM, THOROUGHLY READ ALL OF THE SAFETY INSTRUCTIONS.

The 3 hour charger is designed to use standard household 120 volt 60 Hz power.

1. Remove the power pack from the tool, as shown in Figure 1.
2. Plug the charger into any standard 120 Volt 60 Hz electrical outlet.
3. Insert the power pack into the charger and let it charge for 3 hours. (Figure 2)
4. Remove pack from the charger and place in tool. (Figure 3) **NOTE:** To remove the battery from the saw, press in on the release buttons on both sides of the battery and pull out.



IMPORTANT CHARGING NOTES

1. After normal usage, your power pack should be fully charged in 3 hours or less. If the power pack is run-down completely, it may take up to 6 hours to become fully charged. Your power pack was sent from the factory in an uncharged condition. Before attempting to use it, it must be charged for at least 3 hours.
2. DO NOT charge the power pack in an air temperature below 40°F or above 105°F. This is important and will prevent serious damage to the power pack. Longest life and best performance can be obtained if the power pack is charged when the air temperature is about 75°F.
3. While charging, the charger may hum and become warm to touch. This is a normal condition and does not indicate a problem.
4. If the power pack does not charge properly—(1) Check current at receptacle by plugging in a lamp or other appliance. (2) Check to see if receptacle is connected to a light switch which turns power off when you turn out the lights. (3) Move charger and power pack to a surrounding air temperature of 40°F to 105°F. (4) If the receptacle and temperature are OK, and you do not get proper charging, take or send the power pack and charger to your local Black & Decker service center. See Tools Electric in yellow pages.
5. The power pack should be recharged when it fails to produce sufficient power on jobs which were easily done previously. DO NOT CONTINUE using saw with its power pack in a depleted condition.
6. To prolong power pack life, avoid leaving the power pack on charge for more than 8 hours. Although overcharging is not a safety concern, it can significantly reduce overall power pack life.
7. When the battery is inserted into the charger, the red "Charging Indicator" light will come on indicating that there is contact between the battery and charger. The light will stay on as long as the battery is in the charger and the charger is plugged into a working outlet. It **WILL NOT** flash, go out or change to a different color when the charging cycle is complete.

THE RBRC™ SEAL

The RBRC™ (Rechargeable Battery Recycling Corporation) Seal on the nickel-cadmium battery (or battery pack) indicates that the costs to recycle the battery (or battery pack) at the end of its useful life have already been paid by Black & Decker. In some areas, it is illegal to place spent nickel-cadmium batteries in the trash or municipal solid waste stream and the RBRC program provides an environmentally conscious alternative.

RBRC in cooperation with Black & Decker and other battery users, has established programs in the United States and Canada to facilitate the collection of spent nickel-cadmium batteries. Help protect our environment and conserve natural resources by returning the spent nickel-cadmium battery to an authorized Black & Decker service center or to your local retailer for recycling. You may also contact your local recycling center for information on where to drop off the spent battery, or call 1-800-8-BATTERY.



FULL TWO-YEAR HOME USE WARRANTY

Black & Decker (U.S.) Inc. warrants this product for two years against any defects in material or workmanship. The defective product will be replaced or repaired at no charge in either of two ways.

The first, which will result in exchanges only, is to return the product to the retailer from whom it was purchased (provided that the store is a participating retailer). Returns should be made within the time period of the retailer's policy for exchanges (usually 30 to 90 days after the sale). Proof of purchase may be required. Please check with the retailer for their specific return policy regarding returns that are beyond the time set for exchanges.

The second option is to take or send the product (prepaid) to a Black & Decker owned or authorized Service Center for repair or replacement at our option. Proof of purchase may be required. Black & Decker owned and authorized Service Centers are listed under "Tools-Electric" in the yellow pages of the phone directory.

This warranty does not apply to accessories. This warranty gives you specific legal rights and you may have other rights which vary from state to state and province to province. Should you have any questions, contact the manager of your nearest Black & Decker Service Center. This product is not intended for commercial use.

Imported by
Black & Decker (U.S.) Inc.,
701 E. Joppa Rd.
Towson, MD 21286 U.S.A.



See 'Tools-Electric'
- Yellow Pages -
for Service & Sales



GUIDE D'UTILISATION

RENSEIGNEMENTS IMPORTANTS

- Il faut charger l'ensemble de piles pendant trois heures avant de s'en servir.
- Les piles de l'ensemble ne sont pas complètement chargées. Lire d'abord les mesures suivantes. Suivre ensuite les notes relatives au chargement.

AVERTISSEMENT : POUR S'ASSURER DU FONCTIONNEMENT SÛR, LIRE GUIDE D'UTILISATION.

IMPORTANTES MESURES DE SÉCURITÉ

Mesures de sécurité : chargement

1. Le présent guide renferme d'importantes directives relatives à la sécurité et au fonctionnement.
2. Avant d'utiliser le chargeur de piles, bien lire toutes les directives et les mises en garde qui se trouvent sur (1) le chargeur de piles, (2) l'ensemble de piles et (3) le produit utilisant l'ensemble de piles.
3. **MISE EN GARDE :** Afin de minimiser les risques de blessures, charger seulement des ensembles de piles Black & Decker. D'autres types de piles pourraient exploser et causer des blessures et des dommages.
4. Protéger le chargeur de la pluie et de la neige.
5. L'utilisation d'accessoires non recommandés ni vendus par Black & Decker présente des risques d'incendie, de secousses électriques ou de blessures.
6. Il vaut mieux tirer sur la fiche que sur le cordon pour débrancher le chargeur afin de minimiser les risques de dommages à la fiche et au cordon.
7. S'assurer que le cordon est situé de sorte qu'on ne puisse marcher dessus, y trébucher, l'endommager ou le soumettre à toute autre contrainte.
8. Utiliser un cordon de rallonge seulement en cas d'absolue nécessité. L'utilisation d'un cordon de rallonge inapproprié présente des risques d'incendie ou de secousses électriques.
 - a. Les cordons bifilaires peuvent être utilisés avec un cordon de rallonge muni de 2 ou de 3 fils. Il faut seulement utiliser des cordons de rallonge à gaine ronde homologués par l'organisme américain Underwriters Laboratories (U.L.). Lorsque le cordon de rallonge est utilisé à l'extérieur, il doit être prévu à cet effet. Tout cordon extérieur peut servir à l'intérieur. Les lettres «W» ou «WA» sur la gaine du cordon indiquent que celui-ci convient pour une utilisation à l'extérieur.
 - b. Les cordons de rallonge doivent être faits de conducteurs de calibre approprié (AWG ou jauge américaine des fils) par mesure de sécurité et afin de prévenir les pertes de puissance et les surchauffes. Le numéro de calibre du fil est inversement proportionnel à la capacité du cordon. Ainsi, un cordon de calibre 16 a une capacité supérieure à un cordon de calibre 18. Lorsqu'il est nécessaire d'utiliser plus d'un cordon de rallonge, veiller à ce que chaque cordon ait au moins le calibre minimal.

TABLEAU POUR LE CALIBRE MINIMAL (AWG) DES CORDONS DE RALLONGE
INTENSITÉ (A) - PLAQUE SIGNALÉTIQUE - 0 - 10,0

Longueur totale du cordon de rallonge (pi)	25	50	75	100	125	150
Calibre de fil	18	18	16	16	14	14

9. Utiliser seulement le chargeur fourni pour charger la perceuse. L'utilisation de tout autre chargeur peut endommager la perceuse et être dangereuse.
10. Utiliser un seul chargeur à la fois.
11. Ne pas tenter de démonter le chargeur ni la perceuse. L'utilisateur ne peut les réparer. En confier les réparations à un centre de service autorisé Black & Decker.
12. NE PAS incinérer la perceuse ni les ensembles de piles même si ceux-ci sont très endommagés ou complètement usés. La chaleur des flammes risque de les faire exploser.
13. Ne pas incinérer les piles. La chaleur des flammes risque de les faire exploser. Il peut se produire une

