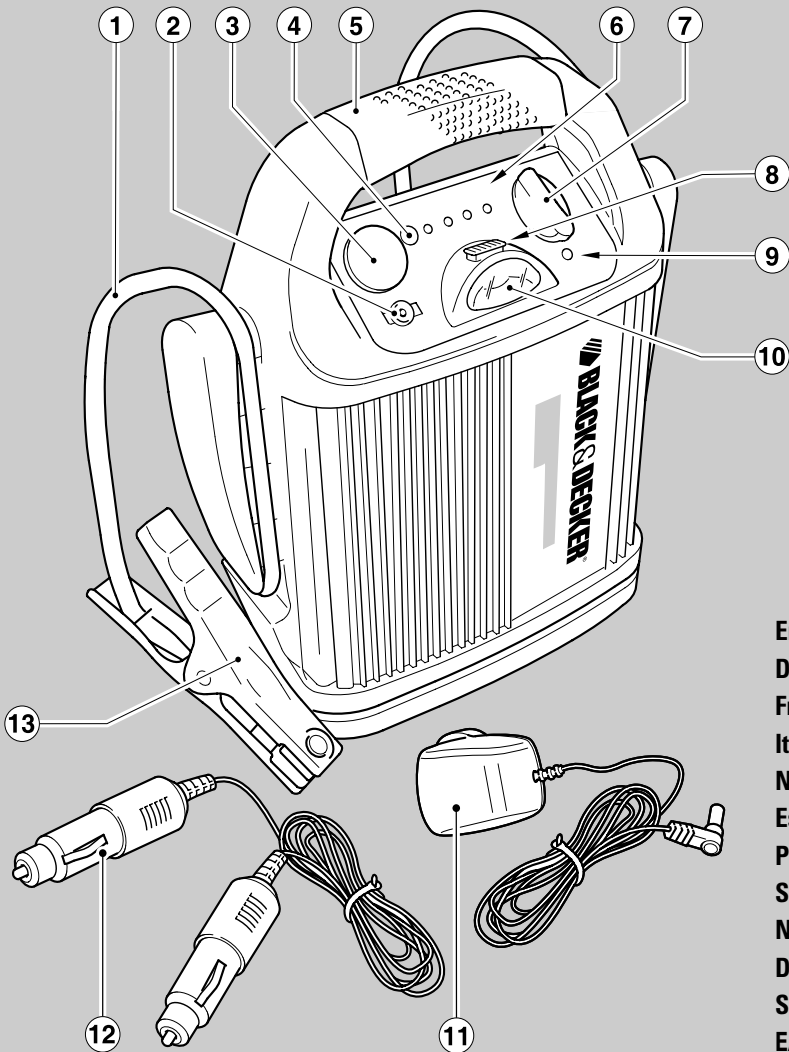
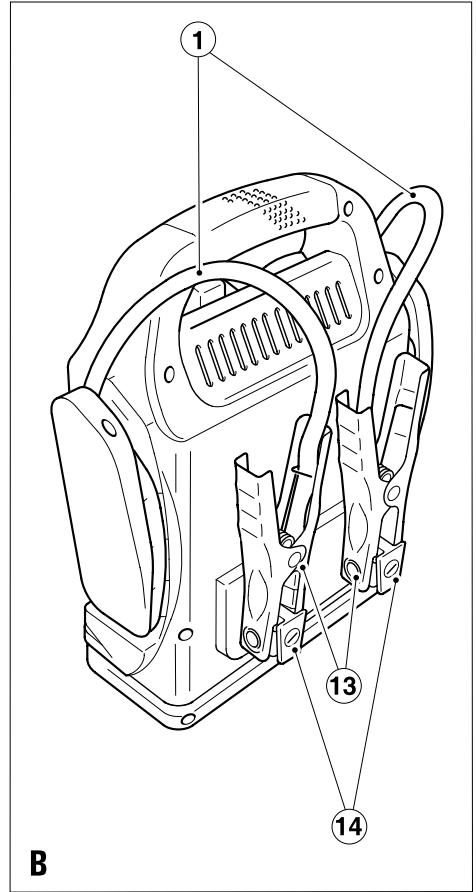
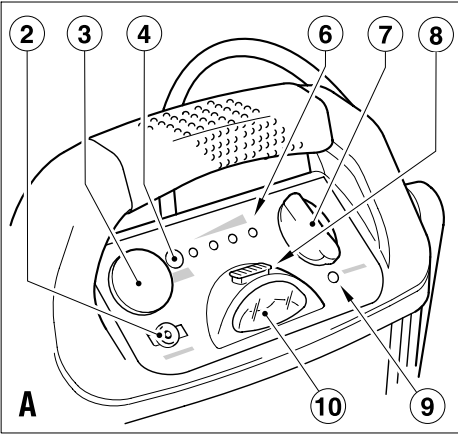


BLACK & DECKER®

www.blackanddecker.eu



English	3
Deutsch	8
Français	14
Italiano	19
Nederlands	24
Español	29
Português	35
Svenska	41
Norsk	46
Dansk	51
Suomi	56
Ελληνικά	61



Intended use

Your Black & Decker jump starter is designed to provide additional power to lead-acid batteries when starting car engines and to provide a portable 12 Vdc power source. This product is intended for household, consumer use only.

Safety instructions

Warning! When using battery-powered appliances, basic safety precautions, including the following, should always be followed to reduce the risk of fire, leaking batteries, personal injury and material damage.

- ◆ Read all of this manual carefully before using the appliance.
- ◆ The intended use is described in this manual. The use of any accessory or attachment or the performance of any operation with this appliance other than those recommended in this instruction manual may present a risk of personal injury.
- ◆ Retain this manual for future reference.

Using your appliance

Always take care when using the appliance.

- ◆ This appliance is not intended for use by young or infirm persons without supervision.
- ◆ The appliance is not to be used as a toy.
- ◆ Use in a dry location only. Do not allow the unit to become wet.
- ◆ Do not immerse the appliance in water.
- ◆ Do not open body casing. There are no user-serviceable parts inside.
- ◆ Do not operate the appliance in explosive atmospheres, such as in the presence of flammable liquids, gases or dust.
- ◆ To reduce the risk of damage to plugs and cords never pull the cable to remove the plug from a socket outlet.

After use

- ◆ When not in use, the appliance should be stored in a dry, well ventilated place out of the reach of children.
- ◆ Children should not have access to stored appliances.
- ◆ When the appliance is stored or transported in a vehicle it should be placed in the boot or restrained to prevent movement following sudden changes in speed or direction.
- ◆ The appliance should be protected from direct sunlight, heat and moisture.

Inspection and repairs

- ◆ Before use, check the appliance for damaged or defective parts. Check for breakage of parts, damage to switches and any other conditions that may affect its operation.
- ◆ Do not use the appliance if any part is damaged or defective.

- ◆ Have any damaged or defective parts repaired or replaced by an authorised repair agent.
- ◆ Never attempt to remove or replace any parts other than those specified in this manual.

Specific safety instructions for jump starters

The following symbols are marked on the appliance:



ON/OFF switch (7), ON position.



ON/OFF switch (7), OFF position.



12 Vdc accessory outlet.



Reverse polarity indicator.

- ◆ Vehicles may have electrical and electronic systems (e.g. engine management system, mobile phone) that may be damaged if subjected to high starting voltages and voltage peaks. Before connecting the appliance to the vehicle read the vehicle's owner's manual to confirm that external-starting assistance is allowed.
- ◆ Follow these instructions and those published by the battery manufacturer, vehicle manufacturer and manufacturer of any equipment you intend to use with this unit. Review warning labels on these products and on the vehicle.
- ◆ This appliance is not designed to be used as a replacement for a vehicular battery. Do not attempt to operate a vehicle that does not have a battery installed.
- ◆ The appliance must only be connected to a 12V lead-acid battery. Do not use the appliance for charging dry-cell batteries that are commonly used with home appliances. These batteries may burst and cause injury to persons and damage property.
- ◆ Check the polarity of the vehicle battery terminals before connecting the appliance. Always disconnect the negative (black) jumper cable first: followed by the positive (red) jumper cable.
- ◆ The ON/OFF switch should be in the OFF position before connection to a power source or load, when the unit is charging and when not in use.
- ◆ Never allow the red and black clamps to touch each other or another common metal conductor. This could cause damage to the appliance and/or create a sparking/explosion hazard. Always store the battery clamps in the built-in holsters when not in use.
- ◆ When using this unit in proximity to the vehicle's battery and engine, stand the unit on a flat, stable surface, and be sure to keep all clamps, cords, clothing and body parts away from moving parts of the vehicle.

- ◆ This appliance contains a sealed lead-acid battery. It is recommended that the appliance is positioned upright during storage, use, and recharging.
- ◆ Explosive gas may be vented from the lead acid batteries when charging and under extreme conditions battery leakage may occur. Ensure the area is well ventilated when conducting jump starting and charging procedures.
- ◆ Do not charge the appliance using the 12 V connector when the vehicle is occupied. Ensure the area is well ventilated.
- ◆ To reduce the risk of electric shock, disconnect the appliance from any power source before attempting maintenance or cleaning. Turning off controls without disconnecting the appliance will not reduce this risk.
- ◆ The 12 Vdc outlet is strictly for use as an accessory outlet, the maximum output is 5A. Never insert a vehicle cigarette lighter into the unit's 12Vdc accessory outlet.
- ◆ Make sure the appliance is disconnected from all charging power sources before beginning the jump start procedure.
- ◆ Never attempt to use the ac charger and dc charging connection simultaneously.

Additional safety instructions for batteries and chargers

Batteries

- ◆ Never attempt to open for any reason.
- ◆ Do not expose the battery to water.
- ◆ Do not store in locations where the temperature may exceed 40 °C.
- ◆ Charge only at ambient temperatures between 10 °C and 40 °C.
- ◆ Charge only using the chargers provided with the appliance.
- ◆ When disposing of batteries, follow the instructions given in the section "Protecting the environment".
- ◆ Under extreme conditions, battery leakage may occur. When you notice liquid on the batteries, carefully wipe the liquid off using a cloth. Avoid skin contact.
- ◆ In case of skin or eye contact, follow the instructions below.

Warning! The battery fluid is a diluted sulphuric acid and may cause personal injury or damage to property. In case of skin contact, immediately rinse with water. If redness, pain or irritation occurs seek medical attention. In case of eye contact, rinse immediately with clean water and seek immediate medical attention.

Chargers

Your charger has been designed for a specific voltage. Always check that the mains voltage corresponds to the voltage on the rating plate.

Warning! Never attempt to replace the charger unit with a regular mains plug.

Use your Black & Decker charger only to charge the battery in the tool with which it was supplied. Other batteries could burst, causing personal injury and damage.

- ◆ Never attempt to charge non-rechargeable batteries.
- ◆ Have defective cords replaced immediately.
- ◆ Do not expose the charger to water.
- ◆ Do not open the charger.
- ◆ Do not probe the charger.

The battery must be placed in a well ventilated area when charging.

The following symbols are found on your charger:



Your charging base is double insulated; therefore no earth wire is required.



Fail-safe isolating transformer. The mains supply is electrically separated from the transformer output.



The charger automatically shuts off if the ambient temperature becomes too high.

As a consequence the charger will be inoperable. The charging base must be disconnected from the mains supply and taken to an authorised service centre for repair.



The charging base is intended for indoor use only.

Electrical safety



This tool is double insulated; therefore no earth wire is required. Always check that the power supply corresponds to the voltage on the rating plate.

- ◆ If the supply cord is damaged, it must be replaced by the manufacturer or an authorised Black & Decker Service Centre in order to avoid a hazard.

Features

This appliance includes some or all of the following features:

1. Jumper cables
2. 12 Vdc charging socket
3. 12 Vdc accessory outlet
4. Battery status pushbutton
5. Carry handle
6. Battery status LEDs
7. ON/OFF switch
8. LED area light on/off switch
9. Reverse polarity indicator
10. LED area light
11. Mains charging adaptor
12. 12 Vdc vehicle adaptor
13. Heavy-duty copper clamps
14. Clamp Holders

USE

Charging the unit (fig. A)

This unit is shipped in a partially charged state.

- ◆ Charge the unit before first use using the mains charging adaptor (11) for 48 hours.

Lead-acid batteries require routine maintenance to ensure a full charge and a long battery life. All batteries lose energy from self-discharge over time and more rapidly at higher temperatures. When the unit is not in use, Black & Decker recommend that the battery is charged at least every 60 days.

- ◆ Check the battery charge level by pressing the battery status pushbutton (4). The LED charge status display (6) will indicate the level of battery charge. When only one red LED lights, charge the unit.

Note: Charging the battery after each use will prolong the battery life; frequent heavy discharges between charges and/or overcharging will reduce battery life.

The battery can be charged using the mains charging adaptor (11) or the 12 Vdc vehicle adaptor (12).

Charging the unit with the mains charger (fig. A)

Make sure that the ON/OFF switch (7) and the LED area light (10) are turned off while the unit is being charged.

As charging progresses, the red LEDs will light one by one.

- ◆ Charge the unit until the green FULL LED lights.
- ◆ Continue to charge for one to two more hours.

Note: The mains charging should not be connected for more than 60 hours.

- ◆ When charging is complete, disconnect the mains charging adaptor (11) and store it in a safe place.

Charging the unit with the 12 Vdc vehicle adaptor (fig. A)

Make sure that the ON/OFF switch (7) and the LED area light (10) are turned off while the unit is being charged.

The 12 Vdc vehicle adaptor (12) does not provide a taper charge.

Warning! While charging with the 12 Vdc vehicle adaptor (12):

- ◆ "Do not charge for more than 4 hours maximum.
- ◆ "Do not leave unattended.

To charge the unit with the 12 Vdc vehicle adaptor (12):

- ◆ Insert one end of the 12 Vdc vehicle adaptor (12) into a 12 Vdc accessory outlet on the vehicle or boat.
- ◆ Insert the other end of the 12 Vdc vehicle adaptor (12) into the 12 Vdc accessory outlet (3) on the front of the unit.
- ◆ To check the charge status of the battery during dc charging, disconnect the 12 Vdc vehicle adapter from the accessory outlet and push the battery status pushbutton.

Observe the battery status LEDs. Do not charge for more than 3 to 4 hours maximum.

- ◆ When charging is completed, remove the 12 Vdc vehicle adaptor (12) and store it in a safe place.

Using the unit as a jump-starter (fig. A & B)

Note: A marine battery must be removed from the boat and charged on shore. To charge it on board requires equipment specially designed for marine use.

- ◆ Turn off the vehicles ignition and all accessories before making any connections.
- ◆ Make sure that the units ON/OFF switch (7) is turned OFF.
- ◆ The following procedure is for a negative earth system ie the negative battery terminal is connected to the chassis.
- ◆ Connect the positive (+) red clamp to the vehicle's positive battery terminal.
- ◆ Connect the negative (-) black clamp to the vehicle's chassis or a solid, non-moving, metal vehicle component or chassis part.

Warning! Make sure that the cables are not in the path of moving belts or the fan.

- ◆ Turn the unit's ON/OFF switch (7) to the ON position.
- ◆ Start the vehicle and crank the engine in 3 to 6 second bursts.

If the engine doesn't start within 6 seconds let the unit's internal battery cool for 3 minutes before making another attempt.

- ◆ When the vehicle starts, turn the unit's ON/OFF switch (7) to the OFF position.
- ◆ Leave the vehicle's engine running.
- ◆ Disconnect the (-) black clamp connected to the engine or chassis first, followed by the (+) red clamp that is connected to the battery positive (+) terminal.
- ◆ Carefully press the negative (black) jumper cable wire into the storage channel starting at the end furthest from the clamp.
- ◆ Clamp the negative (black) clamp onto the clamp holder (14).
- ◆ Carefully press the positive (red) jumper cable wire into the storage channel starting at the end furthest from the clamp.
- ◆ Clamp the positive (red) clamp onto the clamp holder(14).
- ◆ Charge the unit as soon as possible.

Using the 12 Vdc portable power supply (fig. A)

This portable power supply can be used with all 12 Vdc accessories equipped with a male accessory outlet plug rated up to 5 amps.

Warning! Do not attempt to use or charge the unit while the 12 Vdc accessory outlet (3) is in use.

- ◆ Lift the cover of the 12 Vdc accessory outlet (3).
- ◆ Insert the 12 Vdc plug from the appliance into the 12 Vdc accessory outlet (3) on the top of the unit.

Warning! Do not exceed a 5A load.

- ◆ Switch on the appliance and operate as usual.

- ◆ Periodically press the battery status pushbutton (4) to check the status of the internal battery.

Warning! Make sure that the unit's ON/OFF switch (7) is in the OFF position when using the unit's 12 Vdc accessory outlet (3).

Warning! Do not operate appliances that draw more than 5 amps.

Warning! Never insert a cigarette lighter into the 12 Vdc accessory outlet (3).

Using the LED area light (fig. A)

The LED area light (10) will operate up to 114 hours on a full charge. The LED area light's operating life is 100,000 hours.

- ◆ Slide the LED area light on/off button (8) on the top panel of the unit to turn the LED area light (10) on.
- ◆ Slide the LED area light on/off button (8) on the top panel of the unit to turn the LED area light (10) off.

Make sure that the LED area light is turned off while the unit is being charged or stored.

MAINTENANCE

Your Black & Decker tool has been designed to operate over a long period of time with a minimum of maintenance.

Continuous satisfactory operation depends upon proper tool care and regular cleaning.

Warning! Before performing any maintenance or cleaning on the appliance, unplug the appliance.

- ◆ From time to time wipe the appliance with a damp cloth. Do not use any abrasive or solvent-based cleaner. Do not immerse the appliance in water.

Replacing the fuse in the vehicle dc power cord

- ◆ Remove the gold cap by turning it counter clockwise.
- ◆ Remove the rubber washer, centre pin and the spring.
- ◆ Remove the fuse.
- ◆ Fit a new fuse of the same type and size (8 A).
- ◆ Install the centre pin, spring and rubber washer.
- ◆ Install the gold cap by turning clockwise onto the plug.

Protecting the environment



Should you find one day that your appliance needs replacement, or if it is of no further use to you, think of the protection of the environment.

Black & Decker repair agents will accept old Black & Decker tools and ensure that they are disposed of in an environmentally safe way.



Separate collection of used products and packaging allows materials to be recycled and used again. Re-use of recycled materials helps prevent environmental pollution and reduces the demand for raw materials.

Local regulations may provide for separate collection of electrical products from the household, at municipal waste sites or by the retailer when you purchase a new product.

Black & Decker provides a facility for the collection and recycling of Black & Decker products once they have reached the end of their working life. To take advantage of this service please return your product to any authorised repair agent who will collect them on our behalf.

You can check the location of your nearest authorised repair agent by contacting your local Black & Decker office at the address indicated in this manual. Alternatively, a list of authorised Black & Decker repair agents and full details of our after-sales service and contacts are available on the Internet at: www.2helpU.com.



Black & Decker batteries can be recharged many times. At the end of their useful life, discard batteries with due care for our environment:

- ◆ Do not dispose of the battery in fire, as this may result in an explosion.
- ◆ Lead Acid (Pb) batteries are recyclable. They must not be disposed of with Household waste. If you do not have access to a product recycling scheme the battery must be removed as described below and disposed of in accordance with local regulations.
- ◆ Do not short-circuit the battery terminals.
- ◆ Be aware that the battery is heavy.
- ◆ If possible, operate the appliance to run the battery down completely.

Please refer to the exploded diagram at the back of this manual to aid you in the removal of the batteries.

Place the battery in a suitable packaging to ensure that the terminals cannot be short-circuited.

Take the battery to your service agent or a local recycling station. Collected batteries will be recycled or disposed of properly.

Technical data

BDV012		
Battery	Type	12 V 19 Ah sealed lead acid
Output (instant)	A	450
Output (constant for 5 seconds)	A	300
Weight	kg	7.1
Battery Charger		
Input	Vac	230
Approx. charging time	h	48
Weight	kg	0.2

EC declaration of conformity

BDV012

Black & Decker declares that these products conform to:
Standards & Legislation.

95/54/EC, 73/23/EEC, 89/336/EEC EN60335, EN55014,
EN61000



Kevin Hewitt
Director of Consumer Engineering
Spennymoor, County Durham
DL16 6JG,
United Kingdom
31-09-2006

Guarantee

Black & Decker is confident of the quality of its products and offers an outstanding guarantee. This guarantee statement is in addition to and in no way prejudices your statutory rights. The guarantee is valid within the territories of the Member States of the European Union and the European Free Trade Area.

If a Black & Decker product becomes defective due to faulty materials, workmanship or lack of conformity, within 24 months from the date of purchase, Black & Decker guarantees to replace defective parts, repair products subjected to fair wear and tear or replace such products to make sure of the minimum inconvenience to the customer unless:

- ◆ The product has been used for trade, professional or hire purposes.
- ◆ The product has been subjected to misuse or neglect.
- ◆ The product has sustained damage through foreign objects, substances or accidents.
- ◆ Repairs have been attempted by persons other than authorised repair agents or Black & Decker service staff.

To claim on the guarantee, you will need to submit proof of purchase to the seller or an authorised repair agent. You can check the location of your nearest authorised repair agent by contacting your local Black & Decker office at the address indicated in this manual. Alternatively, a list of authorised Black & Decker repair agents and full details of our after-sales service and contacts are available on the Internet at:

www.2helpU.com

Please visit our website **www.blackanddecker.co.uk** to register your new Black & Decker product and to be kept up to date on new products and special offers. Further information on the Black & Decker brand and our range of products is available at **www.blackanddecker.co.uk**.

Bestimmungsgemäße Verwendung

Ihr Black & Decker Starthilfegerät liefert zusätzliche Leistung für Bleisäurebatterien zum Starten von Kraftfahrzeugmotoren. Außerdem steht damit eine mobile 12-VDC-Stromversorgung zur Verfügung. Dieses Gerät ist nicht für den gewerblichen Einsatz vorgesehen.

Sicherheitshinweise

Achtung! Beachten Sie beim Umgang mit akku- oder batteriebetriebenen Geräten stets die grundlegenden Sicherheitshinweise, einschließlich der folgenden. Dadurch verhindern Sie so weit wie möglich das Entstehen von Bränden, das Auslaufen von Batterien oder Akkus sowie Sach- und Personenschäden.

- Lesen Sie diese Anleitung vollständig und aufmerksam durch, bevor Sie das Gerät zum ersten Mal verwenden.
- Der vorgesehene Verwendungszweck ist in dieser Anleitung beschrieben. Bei Verwendung von Zubehör oder Anbauteilen, die nicht in dieser Anleitung empfohlen sind, sowie bei der Bedienung des Geräts in Abweichung von den in dieser Anleitung beschriebenen Verfahren besteht Verletzungsgefahr.
- Heben Sie diese Anleitung auf.

Verwendung des Geräts

Verwenden Sie das Gerät stets mit Umsicht.

- Das Gerät ist nicht für die unbeaufsichtigte Verwendung durch Kinder oder gebrechliche Personen vorgesehen.
- Das Gerät ist kein Spielzeug.
- Verwenden Sie das Gerät nur in trockener Umgebung. Achten Sie darauf, dass das Gerät nicht nass wird.
- Tauchen Sie das Gerät nicht in Wasser.
- Versuchen Sie nicht, das Gehäuse zu öffnen. Im Inneren befinden sich keine zu wartenden Teile.
- Betreiben Sie das Gerät nicht in explosionsgefährdeter Umgebung, in der sich brennbare Flüssigkeiten, Gase oder Stäube befinden.
- Ziehen Sie niemals am Kabel, wenn Sie den Stecker aus der Steckdose ziehen möchten. Kabel und Stecker könnten sonst beschädigt werden.

Nach dem Gebrauch

- Bewahren Sie das Gerät bei Nichtgebrauch an einem trockenen, gut belüfteten Ort außerhalb der Reichweite von Kindern auf.
- Kinder sollten keinen Zugang zu aufbewahrten Geräten haben.
- Wenn das Gerät in einem Fahrzeug transportiert oder gelagert wird, bewahren Sie es im Kofferraum oder einer geeigneten Ablage auf, damit es bei plötzlichen Geschwindigkeits- oder Richtungsänderungen nicht in Bewegung geraten kann.
- Das Gerät muss vor Feuchtigkeit, Hitze und direkter Sonneneinstrahlung geschützt werden.

Inspektion und Reparaturen

- Prüfen Sie das Gerät vor der Verwendung auf beschädigte oder defekte Teile. Prüfen Sie, ob Teile gebrochen sind, Schalter beschädigt sind oder ob andere Bedingungen vorliegen, die die Funktion beeinträchtigen könnten.
- Betreiben Sie das Gerät nicht, wenn ein Teil beschädigt oder defekt ist.
- Lassen Sie beschädigte oder defekte Teile in einer Vertragswerkstatt reparieren oder austauschen.
- Ersetzen oder entfernen Sie keine Teile, für die in dieser Anleitung keine entsprechende Beschreibung enthalten ist.

Spezielle Sicherheitshinweise für Starthilfegeräte

Am Gerät sind die folgenden Symbole angebracht:



Ein-Aus-Schalter (7), Stellung EIN



Ein-Aus-Schalter (7), Stellung AUS



12-VDC-Steckdose



Verpolungsanzeige

- Kraftfahrzeuge können mit elektrischen und elektronischen Systemen ausgestattet sein, etwa mit Motorsteuerungssystemen oder Mobiltelefonen, die durch hohe Anlassspannungen und Spannungsspitzen beschädigt werden können. Bevor Sie das Gerät am Fahrzeug anschließen, lesen Sie deshalb in der Betriebsanleitung nach, ob das Fremdstarten zulässig ist.
- Beachten Sie die vorliegende Gebrauchsanweisung sowie die Hinweise des Batterieherstellers, des Fahrzeugherstellers und der Hersteller sonstiger Geräte, die Sie in Verbindung mit dem Starthilfegerät einsetzen möchten. Beachten Sie die Warnsymbole auf diesen Geräten und am Fahrzeug.
- Dieses Gerät ist nicht als Ersatz für eine Fahrzeugbatterie geeignet. Versuchen Sie nicht, ein Fahrzeug zu starten, in dem keine Batterie eingebaut ist.
- Das Gerät darf nur an 12-V-Bleisäurebatterien angeschlossen werden. Laden Sie mit dem Gerät keine Trockenbatterien, die vielfach in Haushaltsgeräten eingesetzt werden. Diese Batterien können platzen und Sachschäden sowie Verletzungen verursachen.
- Überprüfen Sie die Polarität der Fahrzeugbatterie-Anschlüsse, bevor Sie das Gerät anschließen. Trennen Sie immer zuerst das Minus-Starthilfekabel (schwarz), dann das Plus-Starthilfekabel (rot).

- ◆ Der Ein-Aus-Schalter muss sich immer in Stellung AUS befinden, bevor eine Stromversorgung oder eine Last angeschlossen wird, oder wenn das Gerät geladen oder nicht benutzt wird.
- ◆ Achten Sie darauf, dass sich die rote und die schwarze Klemme nicht gegenseitig berühren und dass die Klemmen nicht gleichzeitig mit demselben metallenen Leiter Kontakt haben. Dadurch kann das Gerät beschädigt werden. Gleichzeitig besteht in solchen Fällen Explosionsgefahr durch Funkenbildung. Bewahren Sie die Batterieklemmen immer in den integrierten Halterungen auf.
- ◆ Wenn dieses Gerät in der Nähe der Fahrzeugbatterie und des Fahrzeugmotors verwendet wird, achten Sie darauf, dass das Gerät auf einer ebenen und ausreichend stabilen Unterlage steht. Achten Sie außerdem darauf, dass keine Klemmen, Kabel, Kleidungsstücke und Körperteile in die Nähe von bewegten Fahrzeugteilen geraten.
- ◆ Dieses Gerät enthält einen dicht verschlossenen Bleisäureakku. Während das Gerät aufbewahrt, verwendet oder geladen wird, sollte es möglichst aufrecht stehen.
- ◆ Aus Bleisäureakkus kann explosives Gas entweichen. Beim Laden unter extremen Bedingungen kann Flüssigkeit austreten. Achten Sie während des Starthilfe- und Ladevorgangs auf ausreichende Belüftung.
- ◆ Laden Sie das Gerät nicht über den 12-V-Anschluss, während das Fahrzeug besetzt ist. Achten Sie auf ausreichende Belüftung.
- ◆ Trennen Sie das Gerät von der Stromversorgung, bevor Sie Wartungs- oder Reinigungsarbeiten durchführen. Andernfalls besteht Stromschlaggefahr. Zur Beseitigung dieses Risikos genügt es nicht, das Gerät nur über die entsprechenden Bedienelemente auszuschalten.
- ◆ Die 12-VDC-Steckdose ist ausschließlich für den Anschluss von Zubehörgeräten vorgesehen. Die maximale Strombelastbarkeit beträgt 5 A. Setzen Sie in diese Steckdose niemals einen Fahrzeug-Zigarettenanzünder ein.
- ◆ Vergewissern Sie sich vor Beginn des Starthilfeprozesses, dass das Gerät vollständig von der Ladestromversorgung getrennt ist.
- ◆ Versuchen Sie nicht, das Wechselstrom-Ladegerät und das Gleichstrom-Ladekabel gleichzeitig zu verwenden.

Zusätzliche Sicherheitshinweise für Akkus und Ladegeräte

Batterien

- ◆ Auf keinen Fall öffnen.
- ◆ Achten Sie darauf, dass der Akku nicht mit Wasser in Berührung kommt.
- ◆ Nicht bei Temperaturen über 40 °C lagern.
- ◆ Laden Sie den Akku bei Umgebungstemperaturen von 10 °C bis 40 °C.

- ◆ Verwenden Sie ausschließlich die mit dem Gerät gelieferten Ladegeräte.
- ◆ Bei der Entsorgung von Batterien die Hinweise im Abschnitt „Umweltschutz“ beachten.
- ◆ Unter extremen Bedingungen können Akkus undicht werden. Wenn Sie feststellen, dass aus dem Akku Flüssigkeit austritt, wischen Sie diese vorsichtig mit einem Tuch ab. Vermeiden Sie Hautkontakt.
- ◆ Beachten Sie nach Haut- oder Augenkontakt die folgenden Hinweise.

Achtung! Die Akkuflüssigkeit ist verdünnte Schwefelsäure und kann Sach- oder Personenschäden verursachen. Spülen Sie die Säure nach Hautkontakt mit Wasser ab. Wenn sich auf der Haut Rötungen, Reizungen oder andere Irritationen zeigen, suchen Sie einen Arzt auf. Nach Augenkontakt spülen Sie das Auge sofort mit sauberem Wasser ab und nehmen unverzüglich ärztliche Betreuung in Anspruch.

Ladegerät

Das Ladegerät ist für eine bestimmte Spannung ausgelegt. Stellen Sie sicher, dass die Netzspannung der auf dem Typenschild des Geräts angegebenen Spannung entspricht.

Achtung! Ersetzen Sie das Ladegerät keinesfalls durch ein normales Netzkabel.

Verwenden Sie das Black & Decker Ladegerät nur für den Akku des Werkzeugs, mit dem es geliefert wurde. Andere Akkus könnten platzen und Sachschäden oder Verletzungen verursachen.

- ◆ Versuchen Sie keinesfalls, nicht aufladbare Batterien zu laden.
- ◆ Lassen Sie beschädigte Kabel sofort austauschen.
- ◆ Achten Sie darauf, dass das Ladegerät nicht mit Wasser in Berührung kommt.
- ◆ Versuchen Sie nicht, das Ladegerät zu öffnen.
- ◆ Nehmen Sie am Ladegerät keine Veränderungen vor.

Während der Akku geladen wird, muss auf ausreichende Belüftung geachtet werden.

Am Ladegerät sind die folgenden Symbole angebracht:



Die Ladestation ist schutzisoliert, daher ist keine Erdleitung erforderlich.



Ausfallsicherer Trenntrafo. Der Trafoausgang ist elektrisch von der Netzstromversorgung getrennt.



Bei extrem hohen Umgebungstemperaturen schaltet sich das Ladegerät automatisch ab. Das Ladegerät lässt sich danach nicht mehr in Betrieb nehmen. Es muss dann von der Netzstromversorgung getrennt und in einer Vertragswerkstatt repariert werden.



Die Ladestation darf nur im Innenbereich verwendet werden.

Elektrische Sicherheit



Dieses Gerät ist schutzisoliert, daher ist keine Erdleitung erforderlich. Überprüfen Sie immer, ob die Netzspannung der auf dem Typenschild des Gerätes angegebenen Spannung entspricht.

- ◆ Ist das Netzkabel beschädigt, muss es durch den Hersteller oder eine Black & Decker Vertragswerkstatt ausgetauscht werden, um eine mögliche Gefährdung zu vermeiden.

Merkmale

Dieses Gerät verfügt über einige oder alle der folgenden Funktionsmerkmale:

1. Starthilfekabel
2. 12-VDC-Ladebuchse
3. 12-VDC-Steckdose
4. Akkustatusaste
5. Tragegriff
6. Akkustatus-LEDs
7. Ein-Aus-Schalter
8. Ein-Aus-Schalter für die LED-Beleuchtung
9. Verpolungsanzeige
10. LED-Beleuchtung
11. Netzladeadapter
12. 12-VDC-Kfz-Adapter
13. Hoch belastbare Kupferklemmen
14. Klemmenhalter

GEBRAUCH

Laden des Geräts (Abb. A)

Bei Auslieferung ist der Akku des Geräts teilweise geladen.

- ◆ Laden Sie das Gerät vor dem ersten Gebrauch mit dem Netzladeadapter (11) für 48 Stunden auf.

Bleisäureakkus müssen regelmäßig gewartet werden, damit die vollständige Ladung und eine lange Nutzungsdauer gewährleistet sind. Alle Akkus verlieren im Lauf der Zeit durch Selbstentladung Energie. Bei höheren Temperaturen verstärkt sich dieser Effekt. Wenn das Gerät nicht benutzt wird, empfiehlt es sich, den Akku mindestens alle 60 Tage nachzuladen.

- ◆ Sie können den Akkuladestatus jederzeit überprüfen, indem Sie die Akkustatusaste (4) drücken. Die LED-Ladestatusanzeige (6) signalisiert den Ladestatus des Akkus. Wenn nur eine rote LED leuchtet, muss das Gerät geladen werden.

Hinweis: Die Akkulebensdauer verlängert sich, wenn der Akku nach jedem Gebrauch des Geräts nachgeladen wird. Die Lebensdauer verkürzt sich, wenn der Akku zwischen den Ladevorgängen häufig stark entladen wird und/oder wenn der Akku überladen wird.

Der Akku kann über den Netzladeadapter (11) oder den 12-VDC-Kfz-Adapter (12) geladen werden.

Laden des Geräts mit dem Netzladeadapter (Abb. A)

Während des Ladevorgangs müssen der Ein-Aus-Schalter (7) und die LED-Beleuchtung (10) ausgeschaltet sein.

Mit zunehmender Akkuladung leuchten die roten LEDs nacheinander auf.

- ◆ Laden Sie das Gerät, bis die grüne LED leuchtet und die vollständige Ladung signalisiert.
- ◆ Setzen Sie den Ladevorgang für eine oder zwei Stunden fort.

Hinweis: Der Netzladeadapter sollte für höchstens 60 Stunden angeschlossen bleiben.

- ◆ Wenn der Ladevorgang abgeschlossen ist, ziehen Sie den Netzladeadapter (11) ab und bewahren ihn an einem geeigneten Ort auf.

Laden des Geräts mit dem 12-VDC-Kfz-Adapter (Abb. A)

Während des Ladevorgangs müssen der Ein-Aus-Schalter (7) und die LED-Beleuchtung (10) ausgeschaltet sein.

Der 12-VDC-Kfz-Adapter (12) beendet den Ladevorgang nicht automatisch.

Achtung! Beachten Sie beim Laden des Geräts mit dem 12-VDC-Kfz-Adapter (12) die folgenden Hinweise:

- ◆ Begrenzen Sie die Ladedauer auf 4 Stunden.
- ◆ Lassen Sie den Ladevorgang nicht unbeaufsichtigt ablaufen.

Laden des Geräts mit dem 12-VDC-Kfz-Adapter (12):

- ◆ Stecken Sie ein Ende des 12-VDC-Kfz-Adapters (12) in eine 12-VDC-Bordnetzsteckdose des Fahrzeugs oder Boots.
- ◆ Stecken Sie das andere Ende des 12-VDC-Kfz-Adapters (12) in die 12-VDC-Steckdose (3) an der Vorderseite des Geräts.
- ◆ Wenn Sie den Ladestatus des Akkus während des Ladevorgangs überprüfen möchten, ziehen Sie den 12-VDC-Kfz-Adapter aus der Steckdose und drücken die Akkustatusaste. Beobachten Sie die Akkustatus-LEDs. Begrenzen Sie die Ladedauer auf 3 bis 4 Stunden.
- ◆ Wenn der Ladevorgang abgeschlossen ist, ziehen Sie den 12-VDC-Kfz-Adapter (12) ab und bewahren ihn an einem geeigneten Ort auf.

Verwendung des Geräts zur Starthilfe (Abb. A und B)

Hinweis: Batterien von Schiffen und Booten müssen ausgebaut und an Land geladen werden. Das Laden an Bord ist nur mit speziell dafür entwickelten Geräten möglich.

- ◆ Schalten Sie die Zündung des Fahrzeugs und alle Verbraucher aus, bevor Sie eine Verbindung herstellen.
- ◆ Vergewissern Sie sich, dass der Ein-Aus-Schalter des Geräts (7) in Stellung AUS steht.
- ◆ Die folgende Anleitung gilt für ein Bordnetzsystem, bei dem die elektrische Masse (Karosserie) mit dem Minuspol der Batterie verbunden ist.
- ◆ Schließen Sie die rote Plusklemme (+) an den Pluspol der Fahrzeugbatterie an.

- ◆ Schließen Sie die schwarze Minusklemme (–) an einer unlackierten Stelle der Karosserie oder an einem stabilen, nicht beweglichen Metallteil des Fahrzeugs bzw. Fahrzeugchassis an.

Achtung! Die Kabel dürfen nicht in den Aktionsbereich von laufenden Riemen oder Lüftern kommen.

- ◆ Drehen Sie den Ein-Aus-Schalter (7) in Stellung EIN.
- ◆ Schalten Sie die Zündung des Fahrzeugs ein, und lassen Sie den Motor für 3 bis 6 Sekunden durchdrehen.

Wenn der Motor nicht innerhalb von 6 Sekunden anspringt, lassen Sie den integrierten Akku des Geräts 3 Minuten lang abkühlen, bevor Sie einen neuen Versuch unternehmen.

- ◆ Sobald der Fahrzeugmotor aus eigener Kraft läuft, drehen Sie den Ein-Aus-Schalter (7) in Stellung AUS.
- ◆ Lassen Sie den Fahrzeugmotor laufen.
- ◆ Trennen Sie zuerst die schwarze Minusklemme (–), die mit dem Motor oder der Karosserie verbunden ist, dann die rote Plusklemme (+), die am Pluspol der Batterie angesetzt ist.
- ◆ Schieben Sie das schwarze Minuskabel vorsichtig in den Aufbewahrungsschacht. Fassen Sie das Kabel dabei an dem Ende, das der Klemme gegenüberliegt.
- ◆ Klemmen Sie die schwarze Minusklemme auf den Klemmenhalter (14).
- ◆ Schieben Sie das rote Pluskabel vorsichtig in den Aufbewahrungsschacht. Fassen Sie das Kabel dabei an dem Ende, das der Klemme gegenüberliegt.
- ◆ Klemmen Sie die rote Plusklemme auf den Klemmenhalter (14).
- ◆ Laden Sie das Gerät so bald wie möglich.

Verwendung der mobilen 12-VDC-Stromversorgung (Abb. A)

An diese mobile Stromversorgung können 12-VDC-Geräte angeschlossen werden, die mit einem passenden Stecker ausgerüstet sind. Der Stecker muss für eine Strombelastung von max. 5 A ausgelegt sein.

Achtung! Versuchen Sie nicht, das Gerät zu verwenden oder zu laden, während an der 12-VDC-Steckdose (3) ein anderes Gerät betrieben wird.

- ◆ Öffnen Sie die Abdeckung der 12-VDC-Steckdose (3).
- ◆ Stecken Sie den 12-VDC-Stecker des anzuschließenden Geräts in die 12-VDC-Steckdose (3) an der Oberseite der mobilen Stromversorgung.

Achtung! Der Laststrom darf 5 A nicht überschreiten.

- ◆ Schalten Sie das zu versorgende Gerät ein, und nutzen Sie es wie gewohnt.
- ◆ Drücken Sie regelmäßig die Akkustatusaste (4), um den Status des integrierten Akkus zu überprüfen.

Achtung! Vergewissern Sie sich, dass der Ein-Aus-Schalter (7) des Geräts in Stellung AUS steht, wenn die 12-VDC-Steckdose (3) des Geräts genutzt wird.

Achtung! Das an der 12-VDC-Steckdose angeschlossene Gerät darf nicht mehr als 5 A aufnehmen.

Achtung! Setzen Sie in die 12-VDC-Steckdose (3) niemals einen Fahrzeug-Zigarettenanzünder ein.

Verwendung der LED-Beleuchtung (Abb. A)

Bei vollständig geladenem Akku kann die LED-Beleuchtung (10) für 114 Stunden betrieben werden. Die Lebensdauer der LEDs beträgt 100.000 Stunden.

- ◆ Schieben Sie den Ein-Aus-Schalter für die LED-Beleuchtung (8) auf dem Bedienfeld an der Oberseite des Geräts, um die LED-Beleuchtung (10) einzuschalten.
- ◆ Schieben Sie den Ein-Aus-Schalter für die LED-Beleuchtung (8) auf dem Bedienfeld an der Oberseite des Geräts, um die LED-Beleuchtung (10) auszuschalten.

Während des Ladevorgangs und während der Aufbewahrung des Geräts muss die LED-Beleuchtung ausgeschaltet sein.

WARTUNG

Ihr Black & Decker Gerät wurde im Hinblick auf eine lange Lebensdauer und einen möglichst geringen Wartungsaufwand entwickelt. Ein dauerhafter, einwandfreier Betrieb setzt eine regelmäßige Pflege und Reinigung voraus.

Achtung! Ziehen Sie den Netzstecker des Geräts aus der Steckdose, bevor Sie mit Wartungs- oder Reinigungsarbeiten am Gerät beginnen.

- ◆ Wischen Sie das Gerät gelegentlich mit einem feuchten Tuch ab. Verwenden Sie keine scheuernden Reinigungsmittel oder Reinigungsmittel auf Lösungsmittelbasis. Tauchen Sie das Gerät nicht in Wasser.

Ersetzen der Sicherung im Kfz-Stromversorgungskabel

- ◆ Entfernen Sie die goldfarbene Kappe durch Drehung gegen den Uhrzeigersinn.
- ◆ Entfernen Sie den Gummiring, den Zentrierstift und die Feder.
- ◆ Nehmen Sie die Sicherung heraus.
- ◆ Setzen Sie eine neue Sicherung desselben Typs und derselben Größe (8 A) ein.
- ◆ Setzen Sie den Zentrierstift, die Feder und den Gummiring ein.
- ◆ Bringen Sie die goldfarbene Kappe durch Drehung im Uhrzeigersinn an.

Umweltschutz



Sollten Sie das Gerät eines Tages durch ein neues Gerät ersetzen wollen oder keine Verwendung mehr dafür haben, denken Sie bitte an den Schutz der Umwelt. Black & Decker nimmt Ihre ausgedienten Black & Decker-Geräte gern zurück und sorgt für eine umweltgerechte Entsorgung.



Durch die separate Sammlung von ausgedienten Produkten und Verpackungsmaterialien können Rohstoffe recycelt und wiederverwendet werden. Die Wiederverwendung aufbereiteter Materialien trägt zur Vermeidung der Umweltverschmutzung bei und senkt den Rohstoffbedarf.

Die Abfallentsorgungssatzung Ihrer Gemeinde sieht möglicherweise vor, dass Elektrogeräte getrennt vom Hausmüll gesammelt, an der örtlichen Abfallentsorgungseinrichtung abgegeben oder beim Kauf eines neuen Produkts vom Fachhandel zur Entsorgung angenommen werden müssen.

Black & Decker nimmt Ihre ausgedienten Black & Decker-Geräte gern zurück und sorgt für eine umweltfreundliche Entsorgung bzw. Wiederverwertung. Um diese Dienstleistung in Anspruch zu nehmen, geben Sie das Gerät bitte bei einer autorisierten Reparaturwerkstatt ab, die für uns die Einsammlung übernimmt.

Die Adresse der zuständigen Niederlassung von Black & Decker steht in dieser Anleitung. Diese teilt Ihnen gerne die nächstgelegene Vertragswerkstatt mit. Außerdem ist eine Liste der Vertragswerkstätten und aller Kundendienststellen von Black & Decker sowie der zuständigen Ansprechpartner im Internet zu finden unter:

www.2helpU.com.



Black & Decker Akkus können viele Male geladen werden. Denken Sie bei der Entsorgung von verbrauchten Akkus an unsere Umwelt.

- ◆ Werfen Sie Akkus nicht ins Feuer. Dies könnte zu einer Explosion führen.
- ◆ Bleisäure-Akkus (Pb) können recycelt werden. Akkus dürfen keinesfalls über den Hausmüll entsorgt werden. Wenn Sie keinen Zugang zu einem Recyclingsystem haben, müssen Sie den Akku wie unten beschrieben herausnehmen und ihn gemäß der Abfallentsorgungssatzung Ihrer Gemeinde entsorgen.
- ◆ Achten Sie darauf, dass die Akkukontakte nicht kurzgeschlossen werden.
- ◆ Der Akku ist schwer.
- ◆ Lassen Sie den Akku möglichst im Betrieb leer werden.

Die Explosionszeichnung auf der Rückseite dieser Anleitung zeigt, wie der Akku ausgebaut wird.

Verpacken Sie den Akku in einem geeigneten Behälter, sodass die Akkukontakte nicht kurzgeschlossen werden können.

Bringen Sie den Akku zu Ihrer Vertragswerkstatt oder zu einer Rücknahmestelle in Ihrer Nähe. Die abgegebenen Akkus werden dem Recycling zugeführt oder vorschriftsmäßig entsorgt.

Technische Daten

		BDV012
Akku		12 V, 19 Ah, Bleisäure, gekapselt
	Typ	A
Ausgang (Impulsbelastung)	A	450
Ausgang (konstante Belastung für 5 Sekunden)	A	300
Gewicht	kg	7,1
Akkuladegerät		
Eingang	V AC	230
Ungefähre Dauer des Ladevorgangs	Std	48
Gewicht	kg	0,2

EU-Konformitätserklärung

BDV012

Black & Decker erklärt, dass diese Produkte den folgenden Normen entsprechen:

Normen und gesetzliche Vorschriften.

95/54/EG, 73/23/EWG, 89/336/EWG, EN 60335, EN 55014, EN 61000

Kevin Hewitt
Director of Consumer Engineering
Spennymoor, County Durham
DL16 6JG,
Vereinigtes Königreich
31.09.2006

Garantie

Black & Decker vertraut auf die Qualität der eigenen Geräte und bietet dem Käufer eine außergewöhnliche Garantie. Diese Garantiezusage versteht sich unbeschadet der gesetzlichen Gewährleistungsansprüche und schränkt diese keinesfalls ein. Sie gilt in sämtlichen Mitgliedsstaaten der Europäischen Union und der Europäischen Freihandelszone EFTA.

Tritt innerhalb von 24 Monaten ab Kaufdatum an einem Gerät von Black & Decker ein auf Material- oder Verarbeitungsfehler zurückzuführender Mangel auf, garantiert Black & Decker den Austausch defekter Teile, die Reparatur von Geräten mit üblichem Verschleiß bzw. den Austausch eines mangelhaften Gerätes, ohne den Kunden dabei mehr als unbedingt nötig in Anspruch zu nehmen, allerdings vorbehaltlich folgender Ausnahmen:

- ◆ wenn das Gerät gewerblich, beruflich oder im Verleihgeschäft benutzt wurde;
- ◆ wenn das Gerät missbräuchlich verwendet oder mit mangelnder Sorgfalt behandelt wurde;

- ◆ wenn das Gerät durch irgendwelche Fremdeinwirkung beschädigt wurde;
- ◆ wenn ein unbefugter Reparaturversuch durch anderes Personal als das einer Vertragswerkstatt oder des Black & Decker-Kundendienstes unternommen wurde.

Zur Inanspruchnahme dieser Garantie ist dem Verkäufer bzw. der Vertragswerkstatt ein Kaufnachweis vorzulegen. Die Adresse der zuständigen Niederlassung von Black & Decker steht in dieser Anleitung. Diese teilt Ihnen gerne die nächstgelegene Vertragswerkstatt mit. Außerdem ist eine Liste der Vertragswerkstätten und aller Kundendienststellen von Black & Decker sowie der zuständigen Ansprechpartner im Internet zu finden unter:

www.2helpU.com

Bitte besuchen Sie unsere Webseite

www.blackanddecker.de, um Ihr neues Black & Decker Produkt zu registrieren und sich über neue Produkte und Sonderangebote zu informieren. Weitere Informationen über die Marke Black & Decker und unsere Produkte finden Sie unter **www.blackanddecker.de**.

Utilisation

Votre chargeur-démarrreur portatif Black & Decker peut être utilisé comme source d'alimentation supplémentaire des batteries au plomb. Il permet le démarrage des moteurs de véhicule et offre une source d'alimentation 12 V c.c. facilement «transportable». Il est destiné à une utilisation exclusivement domestique.

Consignes de sécurité

Attention ! De simples précautions de sécurité sont à prendre pour l'utilisation d'appareil alimenté par batterie. Les conseils suivants doivent toujours être appliqués, ceci afin de réduire le risque d'incendie, les fuites de batterie, les blessures et les dommages matériels.

- * Lisez attentivement et entièrement le manuel avant d'utiliser l'appareil.
- * Ce manuel décrit comment utiliser cet appareil. L'utilisation d'un accessoire ou d'une fixation, ou bien l'utilisation de cet appareil à d'autres fins que celles recommandées dans ce manuel d'instruction peut présenter un risque de blessures.
- * Gardez ce manuel pour référence ultérieure.

Utilisation de votre appareil

Prenez toutes les précautions nécessaires pour utiliser l'appareil.

- * Cet appareil n'est pas destiné à être utilisé par des personnes jeunes ou déficientes sans surveillance.
- * Cet appareil ne doit pas être utilisé comme jouet.
- * Il ne doit jamais être utilisé dans des endroits humides et en aucun cas être mouillé.
- * Ne plongez pas l'appareil dans l'eau.
- * N'ouvrez pas le boîtier. Il n'y a aucune pièce réparable par l'utilisateur à l'intérieur.
- * N'utilisez pas l'appareil dans un environnement présentant des risques d'explosion, ni en présence de liquides, gaz ou poussières inflammables.
- * Pour limiter le risque d'endommagement des prises et des fils électriques, ne débranchez jamais l'appareil en tirant sur le câble.

Après l'utilisation

- * Quand il n'est pas utilisé, l'appareil doit être rangé dans un endroit suffisamment aéré, sec et hors de portée des enfants.
- * Les enfants ne doivent pas avoir accès aux appareils rangés.
- * Quand l'appareil est rangé ou transporté dans un véhicule, il doit être installé dans le coffre ou correctement calé pour éviter les mouvements dus aux changements de direction ou de vitesse.
- * L'appareil doit être protégé de la lumière directe, de la chaleur et de l'humidité.

Vérification et réparations

- * Avant l'utilisation, vérifiez si l'appareil est en bon état ou si aucune pièce ne manque. Recherchez des pièces cassées, des boutons endommagés et d'autres anomalies susceptibles de nuire au bon fonctionnement de l'appareil.
- * N'utilisez pas l'appareil si une pièce est endommagée ou défectueuse.
- * Faites réparer ou remplacer les pièces défectueuses ou endommagées par un réparateur agréé.
- * Ne tentez jamais de retirer ou de remplacer des pièces autres que celles citées dans ce manuel.

Consignes de sécurité spécifiques aux chargeurs-démarrreurs portatifs

Les symboles suivants se trouvent sur l'appareil :



Bouton marche/arrêt (7), en position I (marche).



Bouton marche/arrêt (7), en position O (arrêt).



Prise des accessoires 12 V c.c.



Témoin d'inversion de polarité.

- * Les véhicules peuvent être munis de systèmes électriques et électroniques (comme par exemple, un système d'exploitation du moteur, un téléphone cellulaire) qui peuvent être endommagés en cas de tension de démarrage élevée et de crêtes de tension. Avant de brancher l'appareil sur le véhicule, vérifiez sur le guide du propriétaire du véhicule que le démarrage externe par câbles est autorisé.
- * Suivez ces instructions, ainsi que celles publiées par le fabricant de batterie, du véhicule et de tout équipement utilisé avec cet appareil. Passez en revue les étiquettes d'avertissement se trouvant sur ces produits et sur le véhicule.
- * Cet appareil n'est pas conçu pour remplacer la batterie du véhicule. N'essayez en aucun cas de faire fonctionner un véhicule si la batterie n'est pas installée.
- * L'appareil ne peut être branché qu'à une batterie au plomb de 12 V. N'utilisez pas l'appareil pour charger des batteries à anode sèche généralement utilisées sur les appareils domestiques. Ces batteries peuvent exploser et provoquer des blessures ainsi que des dommages.
- * Vérifiez la polarité des bornes de la batterie du véhicule avant de brancher l'appareil. Débranchez d'abord le fil volant négatif (noir), puis le fil volant positif (rouge).
- * Quand l'appareil est en charge et quand il n'est pas utilisé, le bouton marche/arrêt doit être en position O avant de brancher une source d'alimentation ou une charge.

- * Les pinces rouge et jaune ne doivent jamais être en contact et ne doivent jamais toucher un autre conducteur en métal. Ceci peut endommager l'appareil et/ou provoquer des étincelles/une explosion. Quand elles ne sont pas utilisées, rangez les pinces de batterie dans leur logement.
- * Si cet appareil est utilisé à proximité de la batterie et du moteur du véhicule, posez-le à plat sur une surface stable. Assurez-vous que les pinces, fils, vêtements et parties du corps sont éloignés des pièces mobiles du véhicule.
- * Cet appareil contient une batterie sans entretien. Il est recommandé de ranger, d'utiliser et de recharger l'appareil en position verticale.
- * Des gaz explosifs peuvent se dégager des batteries au plomb pendant le chargement. Dans des conditions extrêmes, une fuite peut même se produire. Avant de démarrer ou de charger avec l'appareil, assurez-vous que l'endroit est correctement aéré.
- * Ne chargez pas l'appareil avec un connecteur 12 V si le véhicule est occupé. Assurez-vous que l'endroit est correctement aéré.
- * Pour réduire le risque de choc électrique, débranchez l'appareil avant l'entretien ou le nettoyage. L'arrêt des commandes sans le débranchement de l'appareil, ne réduit pas ce risque.
- * La prise 12 V c.c. ne peut être utilisée que comme prise des accessoires, avec une intensité maximum de 5 A. N'essayez jamais d'introduire un allume-cigare dans la prise des accessoires de 12 V c.c. de l'appareil.
- * Assurez-vous que l'appareil n'est branché à aucune source d'alimentation de charge avant de commencer le processus avec l'appareil.
- * N'essayez jamais d'utiliser en même temps, le chargeur c.a. et le raccord de charge c.c.

Consignes de sécurité supplémentaires concernant les batteries et les chargeurs

Batteries

- * En aucun cas, n'essayez d'ouvrir l'appareil.
- * Ne mettez pas la batterie en contact avec l'eau.
- * Ne le rangez pas dans des endroits où la température peut dépasser 40 °C.
- * Ne chargez qu'à température ambiante comprise entre 10 °C et 40 °C.
- * N'utilisez que les chargeurs fournis avec l'appareil.
- * Pour jeter les batteries, suivez les instructions données dans la section «Protection de l'environnement».
- * Dans des conditions extrêmes, il peut y avoir une fuite de batterie. Si vous détectez une fuite, utilisez un chiffon pour essuyer le liquide avec précaution. Évitez le contact avec la peau.
- * En cas de contact avec la peau ou les yeux, suivez les instructions ci-dessous.

Attention ! Le liquide de batterie est un acide sulfurique dilué qui peut provoquer des blessures et des dommages. En cas de contact avec la peau, rincez immédiatement à l'eau. Si des rougeurs, une douleur ou une irritation se produisent, consultez un médecin. En cas de contact avec les yeux, rincez à l'eau et consultez immédiatement un médecin.

Chargeurs

La tension de votre chargeur est spécifique. Vérifiez toujours si la tension indiquée sur la plaque signalétique de l'appareil correspond à la tension de secteur.

Attention ! N'essayez jamais de remplacer le chargeur par une prise secteur.

N'utilisez votre chargeur Black & Decker que pour charger la batterie fournie avec l'appareil. D'autres batteries pourraient exploser, provoquant des blessures et des dommages.

- * Ne tentez jamais de recharger des batteries non rechargeables.
- * Remplacez immédiatement les fils électriques endommagés.
- * N'approchez pas le chargeur de l'eau.
- * N'ouvrez pas le chargeur.
- * Ne testez pas le chargeur.

Placez la batterie dans un endroit correctement aéré pour la charger.

Les symboles suivants se trouvent sur votre chargeur :



Votre support de charge est doublement isolé ; par conséquent, aucun câble de masse n'est nécessaire.



Transformateur avec isolation de sécurité.

L'alimentation secteur est électriquement indépendante de la sortie du transformateur.



Le chargeur est automatiquement mis hors service si la température ambiante devient trop élevée. Il est alors impossible de l'utiliser.

Débranchez la base du chargeur de l'alimentation secteur pour la faire réparer dans un centre agréé.



Le support de charge ne peut être utilisé qu'à l'intérieur.

Sécurité électrique



Cet outil est doublement isolé ; par conséquent, aucun câble de masse n'est nécessaire. Vérifiez si l'alimentation mentionnée sur la plaque signalétique de l'appareil correspond bien à la tension présente sur le lieu.

- * Si le câble d'alimentation est endommagé, il doit être remplacé par le fabricant ou par un Centre de réparation agréé Black & Decker pour éviter tout risque.

Caractéristiques

Certains, ou tous, les éléments suivants sont compris avec cet appareil :

1. Câbles de démarrage
2. Prise de charge 12 V c.c.
3. Prise des accessoires 12 V c.c.
4. Bouton d'état de la batterie
5. Poignée
6. Voyants de charge de la batterie
7. Bouton marche/arrêt
8. Bouton marche/arrêt du témoin lumineux
9. Témoin d'inversion de polarité
10. Témoin lumineux
11. Adaptateur de charge au secteur
12. Adaptateur du véhicule 12 V c.c.
13. Pincés en cuivre puissantes
14. Supports de pince

UTILISATION

Charge de l'appareil (figure A)

À la livraison, cet appareil est en partie chargé.

- * Avant la première utilisation, chargez l'appareil à l'aide de l'adaptateur de charge au secteur (11) pendant 48 heures.

Les batteries au plomb doivent être entretenues régulièrement pour obtenir la charge maximum et prolonger la durée de vie de la batterie. L'autodécharge des batteries entraîne avec le temps une perte d'efficacité. Ceci est accentué quand les températures sont élevées. Quand l'appareil n'est pas utilisé, Black & Decker recommande de charger la batterie au moins tous les 60 jours.

- * Vérifiez le niveau de charge de la batterie en appuyant sur le bouton d'état de la batterie (4). Les voyants de charge (6) indiquent le niveau de charge de la batterie. Si un seul voyant rouge est allumé, chargez l'appareil.

Remarque : le chargement de la batterie après chaque utilisation prolonge la durée de vie de la batterie. Celle-ci sera réduite en cas de décharge importante fréquente entre les charges et/ou en cas de dépassement du temps de charge.

La batterie peut être chargée avec l'adaptateur de charge au secteur (11) ou avec l'adaptateur du véhicule 12 V c.c. (12).

Charge avec le chargeur sur l'alimentation secteur (figure A)

Assurez-vous que le bouton marche/arrêt (7) est en position 0 et que le témoin lumineux (10) est éteint pendant le chargement.

Pendant le processus de charge, les voyants rouges s'allument alternativement.

- * Continuez jusqu'à ce que les voyants verts indiquant que la charge est au maximum, s'allument.
- * Continuez le chargement pendant une ou deux heures supplémentaires.

Remarque : l'adaptateur de charge au secteur ne doit pas être branché pendant plus de 60 heures.

- * Une fois le chargement terminé, débranchez l'adaptateur de charge au secteur (11) et rangez-le dans un endroit sûr.

Charge avec l'adaptateur du véhicule 12 V c.c. (figure A)

Assurez-vous que le bouton marche/arrêt (7) est en position 0 et que le témoin lumineux (10) est éteint pendant le chargement de l'appareil.

La charge variable n'est pas possible avec l'adaptateur du véhicule 12 V c.c. (12).

Attention ! Pendant le chargement avec l'adaptateur du véhicule 12 V c.c. (12) :

- * Limitez le temps de charge à un maximum de 4 heures.
- * Ne laissez pas l'appareil sans surveillance.

Pour charger avec l'adaptateur du véhicule 12 V c.c. (12) :

- * Insérez l'extrémité de l'adaptateur du véhicule 12 V c.c. (12) dans une prise des accessoires 12 V c.c. sur le véhicule ou le bateau.
- * Insérez l'autre extrémité de l'adaptateur du véhicule 12 V c.c. (12) dans la prise des accessoires 12 V c.c. (3) à l'avant de l'appareil.
- * Pour vérifier le niveau de charge de la batterie pendant la charge c.c., débranchez l'adaptateur du véhicule 12 V c.c. de la prise des accessoires et poussez le bouton d'état de la batterie. Observez le voyant de charge. Limitez le temps de charge de 3 à 4 heures.
- * Une fois le chargement terminé, débranchez l'adaptateur du véhicule 12 V c.c. (12) et rangez-le dans un endroit sûr.

Utilisation de l'appareil comme démarreur (figure A et B)

Remarque : le chargement d'une batterie-marine ne peut pas se faire à bord du bateau. Ce type de chargement nécessite un équipement spécifique.

- * Coupez le contact des véhicules et arrêtez tous les accessoires avant d'effectuer les branchements.
- * Assurez-vous que le bouton marche/arrêt (7) est en position 0.
- * La procédure suivante est destinée à un système muni d'une prise de terre négative, ce qui signifie que la borne négative de la batterie est reliée au châssis.
- * Branchez la pince positive (+) rouge à la borne positive de la batterie du véhicule.
- * Branchez la pince négative (-) noire au châssis du véhicule ou à un composant du véhicule en métal, fixe ou à une pièce du châssis.

Attention ! Ne laissez aucun câble dans le passage des courroies ou du ventilateur.

- * Tournez le bouton marche/arrêt (7) en position I.
- * Faites démarrer le véhicule et lancez le moteur avec des impulsions de 3 à 6 secondes

Si le moteur ne démarre pas dans les 6 secondes, laissez la batterie interne de l'appareil refroidir pendant 3 minutes avant de faire un autre essai.

- * Quand le véhicule démarre, tournez le bouton marche/arrêt (7) en position O.
- * Laissez le moteur tourner.
- * Débranchez d'abord la pince noire (-) reliée au moteur ou au châssis, puis la pince rouge (+) reliée à la borne positive (+) de la batterie.
- * Rangez en enfonçant avec précaution le fil du câble de démarrage (noir) négatif dans la rainure en commençant par l'extrémité la plus éloignée de la pince.
- * Accrochez la pince (noire) négative sur le support (14).
- * Rangez en enfonçant avec précaution le fil du câble de démarrage (rouge) positif dans la rainure en commençant par l'extrémité la plus éloignée de la pince.
- * Accrochez la pince (rouge) positive sur le support (14).
- * Chargez l'appareil dès que possible.

Utilisation de l'appareil d'alimentation portable 12 V c.c. (figure A)

Cet appareil peut être utilisé avec tous les accessoires 12 V c.c. équipés du prise des accessoires mâle acceptant une valeur nominale maximale de 5 A.

Attention ! N'essayez en aucun cas de charger ou d'utiliser l'appareil si une prise des accessoires 12 V c.c. (3) est utilisée.

- * Soulevez le couvercle de la prise des accessoires 12 V c.c. (3).
- * Insérez la prise 12 V c.c. de l'appareil dans la prise des accessoires 12 V c.c. (3) sur le dessus de l'appareil.

Attention ! La charge maximum ne doit pas dépasser 5 A.

- * Mettez l'appareil en marche et faites le fonctionner normalement.
- * Appuyez de temps en temps sur le bouton d'état de la batterie (4) pour vérifier l'état de la batterie interne.

Attention ! Assurez-vous que le bouton marche/arrêt (7) est en position O quand la prise des accessoires 12 V c.c. (3) de l'appareil est utilisée.

Attention ! Ne faites pas fonctionner des appareils demandant une intensité supérieure à 5 A.

Attention ! N'introduisez jamais un allume-cigare dans la prise des accessoires 12 V c.c. (3).

Utilisation du témoin lumineux (figure A)

Le témoin lumineux (10) peut fonctionner pendant environ 114 heures si la charge est complète. La durée de vie du témoin lumineux est de 100 000 heures.

- * Glissez le bouton marche/arrêt du témoin lumineux (8) sur le dessus de l'appareil pour allumer le témoin lumineux (10).
- * Glissez le bouton marche/arrêt du témoin lumineux (8) sur le dessus de l'appareil pour éteindre le témoin lumineux (10).

Assurez-vous que le témoin lumineux est éteint quand l'appareil est en charge ou rangé.

ENTRETIEN

Votre outil Black & Decker a été conçu pour fonctionner pendant longtemps avec un minimum d'entretien. Un fonctionnement continu satisfaisant dépend d'un nettoyage régulier et d'un entretien approprié de l'outil.

Attention ! Avant d'effectuer des réparations ou un nettoyage de l'appareil, débranchez-le.

- * De temps en temps, passez un chiffon humide sur l'appareil. N'utilisez pas de produit abrasif ou à base de solvant. Ne plongez pas l'appareil dans l'eau.

Remplacement du fusible dans le câble d'alimentation c.c. du véhicule

- * Tournez le bouchon doré dans le sens inverse des aiguilles d'une montre pour le retirer.
- * Retirez la rondelle en caoutchouc, la goupille centrale et le ressort.
- * Retirez le fusible.
- * Installez un fusible neuf de même type et dimension (8 A).
- * Installez la goupille centrale, le ressort et la rondelle en caoutchouc.
- * Tournez le bouchon doré dans le sens des aiguilles d'une montre pour l'installer.

Protection de l'environnement



Si votre appareil doit être remplacé ou si vous n'en avez plus l'usage, songez à la protection de l'environnement. Les réparateurs agréés Black & Decker acceptent la collecte d'anciens outils Black & Decker et veilleront à ce que leur mise au rebut ne porte pas atteinte à l'environnement.



La collecte séparée des produits et des emballages usagés permet de recycler et de réutiliser des matériaux. La réutilisation de matériaux recyclés évite la pollution de l'environnement et réduit la demande de matières premières.

Des réglementations locales peuvent stipuler la collecte séparée des produits électriques et des produits ménagers, dans des déchetteries municipales ou par le revendeur lorsque vous achetez un nouveau produit.

Black & Decker fournit un dispositif permettant de recycler les produits Black & Decker lorsqu'ils ont atteint la fin de leur cycle de vie. Pour pouvoir profiter de ce service, veuillez retourner votre produit à un réparateur agréé qui se chargera de le collecter pour nous.

Pour connaître l'adresse du réparateur agréé le plus proche de chez vous, contactez le bureau Black & Decker à l'adresse indiquée dans ce manuel. Vous pourrez aussi trouver une liste de réparateurs agréés de Black & Decker et de plus amples détails concernant notre service après-vente sur le site Internet : www.2helpU.com.



Les batteries Black & Decker peuvent être rechargées à n'importe quel moment. Quand elles sont hors d'usage, jetez-les en respectant les normes de protection de l'environnement.

- * Ne jetez pas la batterie dans le feu, celle-ci pourrait exploser.
- * Les batteries au plomb (Pb) sont recyclables. Elles ne doivent pas être jetées avec les déchets ménagers. Si vous ne pouvez pas recycler la batterie, vous devez la retirer, comme décrit ci-dessous, et la mettre au rebut conformément aux réglementations locales.
- * Ne court-circuitez pas les bornes de la batterie.
- * Tenez compte du fait qu'une batterie est lourde.
- * Si possible, faites fonctionner l'appareil pour décharger complètement la batterie.

Veuillez consulter le schéma éclaté au dos de ce manuel pour vérifier comment retirer les batteries.

Placez la batterie dans un emballage approprié pour éviter un court-circuit des bornes.

Déposez la batterie chez un technicien d'entretien ou dans un centre de recyclage local. Elles seront ainsi recyclées ou mises au rebut de manière appropriée.

Caractéristiques techniques

		BDV012
Batterie		Batterie sans entretien 12 V
	Type	19 Ah
Sortie (instant)	A	450
Sortie (constante pendant 5 secondes)	A	300
Poids	kg	7,1
Chargeur de batterie		
Entrée	V c.a.	230
Charge approximative	h	48
Poids	kg	0,2

Déclaration de conformité CE

BDV012

Black & Decker déclare que ces produits sont conformes à : Normes & législation.

95/54/EC, 73/23/CEE, 89/336/CEE EN60335, EN55014, EN61000

Kevin Hewitt

Directeur Ingénierie Client
Spennymoor, County Durham

DL16 6JG,

Royaume-Uni

31-09-2006

Garantie

Black & Decker vous assure la qualité de ses produits et vous offre une garantie très étendue. Ce certificat de garantie est un document supplémentaire et ne peut en aucun cas se substituer à vos droits légaux. La garantie est valable sur tout le territoire des États Membres de l'Union Européenne et de la Zone de Libre Échange Européenne.

Si un produit Black & Decker s'avère défectueux en raison de matériaux en mauvais état, d'une erreur humaine, ou d'un manque de conformité dans les 24 mois suivant la date d'achat, Black & Decker garantit le remplacement des pièces défectueuses, la réparation des produits usés ou cassés ou remplace ces produits à la convenance du client, sauf dans les circonstances suivantes :

- * Le produit a été utilisé dans un but commercial, professionnel, ou a été loué.
- * Le produit a été mal utilisé ou avec négligence.
- * Le produit a subi des dommages à cause de corps étrangers, de substances ou d'accidents.
- * Des réparations ont été tentées par des techniciens ne faisant pas partie du service technique de Black & Decker.

Pour avoir recours à la garantie, il est nécessaire de fournir une preuve d'achat au vendeur ou à un réparateur agréé.

Pour connaître l'adresse du réparateur agréé le plus proche de chez vous, contactez le bureau Black & Decker à l'adresse indiquée dans ce manuel. Vous pourrez aussi trouver une liste de réparateurs agréés de Black & Decker et de plus amples détails sur notre service après-vente sur le site Internet à l'adresse suivante :

www.2helpU.com

Visitez notre site Web www.blackanddecker.fr pour enregistrer votre nouveau produit Black & Decker et être informé des nouveaux produits et des offres spéciales. Pour plus d'informations concernant la marque Black & Decker et notre gamme de produits, consultez notre site www.blackanddecker.fr.

Usò previsto

L'avviatore di emergenza Black & Decker è stato progettato per fornire un'alimentazione supplementare alle batterie al piombo per l'avviamento di motori automobilistici e anche per mettere a disposizione una fonte di alimentazione portatile da 12 V c.c. Questo prodotto è stato progettato solo per uso domestico privato.

Istruzioni di sicurezza

Attenzione! Quando si usano elettrotensili alimentati a batteria, osservare sempre le normali precauzioni di sicurezza per ridurre il rischio di incendio, di perdita di liquido dalle batterie, di lesioni personali e di danni materiali.

- ◆ Leggere attentamente il presente manuale prima di usare l'elettrotensile.
- ◆ L'uso previsto è descritto nel presente manuale. Se questo elettrotensile viene usato con accessori o per usi diversi da quelli raccomandati nel presente manuale d'uso, si potrebbero verificare lesioni personali.
- ◆ Conservare il presente manuale per futura consultazione.

Utilizzo dell'elettrotensile

Prestare sempre attenzione quando si usa l'elettrotensile.

- ◆ L'utilizzo di questo elettrotensile non è destinato a ragazzi o persone inferme senza supervisione.
- ◆ Questo elettrotensile non deve essere usato come un giocattolo.
- ◆ Usare solo in un luogo asciutto. Evitare che il prodotto si bagni.
- ◆ Non immergere l'elettrotensile in acqua.
- ◆ Non aprire il corpo dell'elettrotensile, dato che al suo interno non vi sono componenti riparabili.
- ◆ Evitare d'impiegare questo apparecchio in ambienti esposti al rischio di esplosione, ad esempio in presenza di liquidi, gas o polveri infiammabili.
- ◆ Per ridurre il rischio di danni a spine o fili, non tirare mai il filo per scollare la spina da una presa.

Dopo l'impiego

- ◆ Quando non viene usato, l'apparecchio deve essere conservato in un luogo asciutto e ben ventilato, fuori dalla portata dei bambini.
- ◆ Gli elettrotensili non devono essere riposti alla portata dei bambini.
- ◆ Se viene conservato o trasportato in un veicolo, l'apparecchio deve essere messo nel bagagliaio o legato per evitare che si sposti in caso di cambiamento repentino della velocità o della direzione di marcia.
- ◆ L'apparecchio deve essere protetto dalla luce diretta del sole, dal calore e dall'umidità.

Ispezione e riparazioni

- ◆ Prima dell'impiego, controllare che l'elettrotensile non sia danneggiato e non presenti parti difettose. Controllare che

non vi siano parti rotte, che gli interruttori non siano danneggiati e che non vi siano altre condizioni che potrebbero avere ripercussioni sulle prestazioni.

- ◆ Non usare l'elettrotensile se alcune parti sono danneggiate o difettose.
- ◆ Far riparare o sostituire le parti danneggiate o difettose da un tecnico autorizzato.
- ◆ Non tentare di smontare o sostituire qualsiasi parte ad eccezione di quelle specificate nel presente manuale.

Istruzioni di sicurezza specifiche per gli avviatori di emergenza

I seguenti simboli sono stampigliati sull'elettrotensile.



Interruttore di accensione (7), acceso.



Interruttore di accensione (7), spento.



Presa accessori da 12 V c.c.



Indicatore di polarità inversa.

- ◆ I veicoli possono essere dotati di impianti elettrici e sistemi elettronici (ad esempio sistema di gestione motore, telefono cellulare) che potrebbero subire danni se soggetti a elevate tensioni di avviamento e a picchi di tensione. Prima di collegare l'elettrotensile al veicolo, leggere il manuale per il proprietario del veicolo per verificare se è possibile eseguire l'avviamento con avviatore di emergenza.
- ◆ Seguire queste istruzioni e quelle fornite dal fabbricante della batteria, da quello del veicolo e di qualsiasi altra apparecchiatura che si intende usare con questo elettrotensile. Tenere presenti le etichette di avvertimento presenti su questi prodotti e sul veicolo.
- ◆ Questo elettrotensile non è stato progettato per essere usato quale batteria automobilistica di ricambio. Non far funzionare un veicolo senza batteria installata.
- ◆ L'elettrotensile deve essere collegato solo a una batteria al piombo da 12 V. Non usare l'elettrotensile per caricare batterie con pile a secco, comunemente usate su elettrodomestici, dato che queste batterie potrebbero scoppiare e causare lesioni alle persone e danni alle cose.
- ◆ Controllare la polarità dei morsetti della batteria del veicolo prima di collegare l'elettrotensile. Scollegare sempre per primo il cavo ausiliario negativo (nero), seguito da quello positivo (rosso).
- ◆ L'interruttore di accensione deve essere regolato su spento prima del collegamento a una fonte di alimentazione o a un carico, quando l'elettrotensile è sotto carica e quando non viene usato.

- ◆ Non lasciare mai che i morsetti rosso e nero si tocchino o vengano a contatto di un altro conduttore metallico comune, dato che potrebbero causare danni all'elettrotensile e/o pericolose scintille oppure essere causa di un'esplosione. Riporre sempre i morsetti negli appositi foderi incorporati quando non sono usati.
- ◆ Quando si usa l'elettrotensile in prossimità della batteria del veicolo e del motore, appoggiarlo su di una superficie piana e stabile e tenere morsetti, conduttori, abbigliamento e parti del corpo lontani dalle parti in movimento del veicolo.
- ◆ Questo elettrotensile contiene una batteria al piombo sigillata. Si consiglia di posizionare l'elettrotensile in posizione verticale durante lo stoccaggio, l'utilizzo e la ricarica.
- ◆ Le batterie al piombo possono esalare gas esplosivi durante la ricarica e in condizioni estreme si possono verificare perdite di acido dalla batteria. Accertarsi che la zona sia ben ventilata durante le procedure di avviamento con cavi ausiliari.
- ◆ Non ricaricare l'elettrotensile usando un connettore da 12 V se vi sono passeggeri nel veicolo. Accertarsi che la zona sia ben ventilata.
- ◆ Per ridurre il rischio di scosse elettriche, scollegare l'elettrotensile e la fonte di alimentazione prima di iniziare la manutenzione o la pulitura. Lo spegnimento dei comandi, senza aver scollegato l'elettrotensile, non riduce questo rischio.
- ◆ La presa da 12 V c.c. deve essere usata esclusivamente quale presa accessori la cui erogazione massima è di 5 A. Non inserire mai un accendisigari nella presa accessori da 12 V c.c. dell'elettrotensile.
- ◆ Accertarsi che l'elettrotensile sia scollegato da tutte le fonti di alimentazione prima di iniziare la procedura di avviamento con cavi ausiliari.
- ◆ Non cercare mai di usare simultaneamente un caricabatterie c.a. e un collegamento di ricarica c.c.

Istruzioni di sicurezza aggiuntive per batterie e alimentatori

Batterie

- ◆ Non tentare di aprirle per qualsiasi ragione.
- ◆ Evitare che la batteria si bagni.
- ◆ Non riporre in luoghi dove la temperatura potrebbe superare i 40 °C.
- ◆ Caricare solo a temperature ambiente tra 10 °C e 40 °C.
- ◆ Caricare solo usando gli alimentatori forniti con l'apparecchio.
- ◆ Quando si smaltiscono le batterie, seguire le istruzioni riportate al capitolo "Protezione dell'ambiente".
- ◆ In condizioni estreme, si potrebbe verificare la perdita di liquido dalle batterie. Se si nota la presenza di liquido sulle batterie, pulirle con attenzione con uno straccio. Evitare il contatto con l'epidermide.

- ◆ In caso di contatto con la pelle o gli occhi, seguire le istruzioni riportate di seguito.

Attenzione! Il liquido della batteria è un acido solforico diluito e può causare lesioni alle persone e danni alle cose. In caso di contatto con la pelle, risciacquare immediatamente con acqua. In caso di rossore, dolore o irritazione, rivolgersi immediatamente ad un medico. In caso di contatto con gli occhi, risciacquare immediatamente con acqua pulita e consultare subito un medico.

Alimentatori

L'alimentatore è stato progettato per una tensione specifica. Controllare sempre che la tensione di rete corrisponda alla tensione indicata sulla targhetta dati.

Attenzione! Non tentare mai di sostituire l'alimentatore con una normale spina di rete.

Usare l'alimentatore Black & Decker solo per ricaricare la batteria nell'apparecchio con il quale è stato fornito. Altre batterie potrebbero scoppiare causando lesioni alle persone e danni.

- ◆ Non tentare mai di ricaricare batterie non ricaricabili.
- ◆ Fare sostituire immediatamente i fili difettosi.
- ◆ Evitare che l'alimentatore si bagni.
- ◆ Non aprire il caricabatteria.
- ◆ Non collegare l'alimentatore a sonde.

La batteria deve essere lasciata in una zona ben ventilata durante la ricarica.

Sull'alimentatore sono presenti i seguenti simboli:



Il doppio isolamento di cui è provvista la base di ricarica rende superfluo il filo di terra.



Trasformatore di isolamento con protezione incorporata. L'alimentazione di rete è separata elettricamente dall'erogazione del trasformatore.



Il caricabatteria si spegne automaticamente se la temperatura ambiente aumenta eccessivamente. Di conseguenza il caricabatteria diventa inutilizzabile. In questi casi la base di ricarica deve essere scollegata dall'alimentazione di rete e portata presso un centro di assistenza autorizzato per le necessarie riparazioni.



La base di ricarica può solo essere usata all'interno.

Sicurezza elettrica



Il doppio isolamento di cui è provvisto l'elettrotensile rende superfluo il filo di terra. Controllare sempre che l'alimentazione corrisponda alla tensione indicata sulla targhetta delle caratteristiche.

- ◆ In caso di danneggiamento del cavo di alimentazione, è necessario farlo riparare dal fabbricante o presso un centro assistenza Black & Decker autorizzato in modo da evitare eventuali pericoli.

Caratteristiche

Questo elettroutensile è dotato di:

1. Cavi ausiliari
2. Presa per ricarica a 12 V c.c.
3. Presa accessori da 12 V c.c.
4. Pulsante stato batteria
5. Manico
6. LED stato batteria
7. Interruttore di accensione
8. Interruttore di accensione LED di zona
9. Indicatore di polarità inversa
10. LED di zona
11. Adattatore di rete
12. Adattatore veicolo da 12 V c.c.
13. Morsetti in rame per servizio gravoso
14. Portamorsetti

USO

Ricarica dell'elettroutensile (fig. A)

Questo elettroutensile viene spedito semicarico.

- ◆ Caricare l'elettroutensile per 48 ore prima del primo impiego, usando l'adattatore di rete.

Le batterie al piombo richiedono una regolare manutenzione per garantire una carica completa e una lunga durata. Tutte le batterie perdono energia col passare del tempo, a causa dell'autoscarica, e in modo più rapido con temperature più elevate. Se non si utilizza l'elettroutensile, Black & Decker consiglia di ricaricare la batteria almeno ogni 60 giorni.

- ◆ Controllare il livello di carica della batteria premendo il pulsante di stato della batteria (4). Il LED dello stato di carica (6) indica il livello di carica della batteria. Se si accende solo un LED, ricaricare l'elettroutensile.

Nota: La ricarica della batteria dopo ciascun impiego ne prolunga la durata; mentre la scarica frequente e totale tra le ricariche e/o una ricarica eccessiva riducono la durata della batteria.

La batteria può essere ricaricata usando l'adattatore di rete (11) o l'adattatore del veicolo da 12 V c.c. (12).

Ricarica dell'elettroutensile con un caricabatterie di rete (fig. A)

Accertarsi che l'interruttore di accensione (7) e il LED di zona (10) siano spenti durante la ricarica dell'elettroutensile.

Con il progredire della ricarica, i LED rossi si accendono uno alla volta.

- ◆ Ricaricare l'elettroutensile fino a quando si accende il LED verde DI CARICA COMPLETA verde.
- ◆ Continuare a ricaricare ancora per una o due ore.

Nota: Non ricaricare dall'alimentazione di rete per più di 60 ore.

- ◆ A ricarica ultimata, scollegare l'adattatore di ricarica di rete (11) e conservarlo in un luogo sicuro.

Ricarica dell'elettroutensile con un adattatore da veicolo da 12 V c.c. (fig. A)

Accertarsi che l'interruttore di accensione (7) e il LED di zona (10) siano spenti durante la ricarica dell'elettroutensile.

L'adattatore del veicolo da 12 V c.c. (12) fornisce una carica senza memoria.

Attenzione! Durante la ricarica con l'adattatore del veicolo da 12 V c.c. (12):

- ◆ Non ricaricare per più di 4 ore massimo.
- ◆ Non lasciar l'elettroutensile incustodito.

Carica dell'elettroutensile con l'adattatore del veicolo da 12 V c.c. (12):

- ◆ Inserire un'estremità dell'adattatore del veicolo da 12 V c.c. (12) in una presa accessori da 12 V c.c. del veicolo o della barca.
- ◆ Inserire l'altra estremità dell'adattatore del veicolo da 12 V c.c. (12) nella presa accessori (3) sul davanti dell'elettroutensile.
- ◆ Per controllare lo stato di carica della batteria durante la ricarica c.c., scollegare l'adattatore del veicolo da 12 V c.c. dalla presa accessori e premere il pulsante di carica della batteria. Osservare i LED di stato della batteria. Non ricaricare per più di 3-4 ore massimo.
- ◆ A ricarica ultimata, scollegare l'adattatore del veicolo da 12 V c.c. (12) e conservarlo in un luogo sicuro.

Utilizzo dell'elettroutensile quale avviatore di emergenza (figg. A e B)

Nota: Togliere la batteria marina dalla barca e ricaricarla a terra. La ricarica della batteria a bordo richiede l'impiego di un'apparecchiatura appositamente progettata per uso marino.

- ◆ Disinserire l'accensione del veicolo e tutti gli accessori prima di effettuare qualsiasi collegamento.
- ◆ Verificare che l'interruttore di accensione (7) dell'elettroutensile sia spento.
- ◆ La procedura riportata di seguito è valida per impianti con terra negativa, vale a dire che il morsetto negativo della batteria è collegato all'autotelaio.
- ◆ Collegare il morsetto positivo (+) rosso al morsetto positivo della batteria del veicolo.
- ◆ Collegare il morsetto negativo (-) nero all'autotelaio del veicolo o a un componente solido e fisso del veicolo o dell'autotelaio.

Attenzione! Verificare che i cavi non intralcino il percorso di cinghie o dell'elettroventola in movimento.

- ◆ Accendere l'interruttore (7) dell'elettroutensile.
- ◆ Avviare il veicolo e trascinare il motore per brevi periodi di 3-6 secondi.

Se il motore non si avvia entro 6 secondi, lasciar raffreddare per 3 minuti la batteria interna dell'elettroutensile prima di tentare di nuovo.

- ◆ Quando il veicolo si avvia, spegnere l'interruttore (7) dell'elettrotensile.
- ◆ Lasciare acceso il motore del veicolo.
- ◆ Scollegare per primo il morsetto nero (-) collegato al motore o all'autotelaio, seguito dal morsetto rosso (+) collegato al morsetto positivo (+) della batteria.
- ◆ Premere con attenzione il cavo ausiliario negativo (nero) nella canalina portacavo, partendo dall'estremità opposta a quella con il morsetto.
- ◆ Serrare il morsetto negativo (nero) sul portamorsetto (14).
- ◆ Premere con attenzione il cavo ausiliario positivo (rosso) nella canalina portacavo, partendo dall'estremità opposta a quella con il morsetto.
- ◆ Serrare il morsetto positivo (rosso) sul portamorsetto (14).
- ◆ Caricare l'elettrotensile non appena possibile.

Utilizzo dell'alimentatore portatile da 12 V c.c. (fig. A)

Questo alimentatore portatile può essere usato per tutti gli accessori da 12 V c.c. dotati di spinotto maschio con potenza nominale di 5 A massimo.

Attenzione! Non tentare di usare o caricare l'elettrotensile durante l'utilizzo della presa accessori (3) da 12 V c.c.

- ◆ Sollevare il coperchietto della presa accessori (3) da 12 V c.c.
- ◆ Inserire la spina da 12 V c.c. dell'apparecchio da ricaricare nella presa accessori (3) da 12 V c.c. sulla parte superiore dell'elettrotensile.

Attenzione! Non superare un carico di 5 A.

- ◆ Accendere l'elettrotensile e usarlo nel solito modo.
- ◆ Premere periodicamente il pulsante di stato della batteria (4) per controllare lo stato della batteria interna.

Attenzione! Accertarsi che l'interruttore di accensione (7) dell'elettrotensile sia spento quando si usa la presa accessori (3) da 12 V c.c.

Attenzione! Non collegare apparecchi che assorbono più di 5 A.

Attenzione! Non inserire mai un accendisigari nella presa accessori (3) da 12 V c.c.

Utilizzo del LED di zona (fig. A)

Il LED di zona (10) funziona per un massimo di 114 ore se la carica è completa. La durata utile del LED di zona è di 100.000 ore.

- ◆ Per l'accensione del LED di zona (10), far scorrere il rispettivo pulsante di accensione (8) sul pannello superiore dell'elettrotensile.
- ◆ Per lo spegnimento del LED di zona (10), far scorrere il rispettivo pulsante di spegnimento (8) sul pannello superiore dell'elettrotensile.

Accertarsi che il LED di zona sia spento quando si ricarica l'elettrotensile o lo si mette via.

MANUTENZIONE

Questo elettrotensile Black & Decker è stato progettato per funzionare a lungo con un minimo di manutenzione. Per ottenere prestazioni sempre soddisfacenti occorre avere cura dell'elettrotensile e sottoporlo a manutenzione periodica.

Attenzione! Prima di eseguire la manutenzione dell'elettrotensile oppure di pulirlo, scollegarlo dalla presa.

- ◆ Strofinare di tanto in tanto l'elettrotensile con un panno umido. Non usare materiali abrasivi o detersivi a base di solventi. Non immergere l'elettrotensile in acqua.

Sostituzione del fusibile nell'alimentatore c.c. dell'auto

- ◆ Staccare la calotta dorata ruotandola in senso antiorario.
- ◆ Sfilare la rondella in gomma, la spina centrale e la molla.
- ◆ Estrarre il fusibile.
- ◆ Montare un nuovo fusibile del medesimo tipo e misura (8 A).
- ◆ Infilare la spina centrale, la molla e la rondella in gomma.
- ◆ Mettere la calotta dorata ruotandola in senso orario sulla spina.

Protezione dell'ambiente



Nel caso in cui l'elettrotensile debba essere sostituito o comunque non serve più, pensare alla tutela dell'ambiente. È infatti possibile restituirlo ai tecnici Black & Decker che provvederanno a smaltirlo in modo sicuro per l'ambiente.



La raccolta differenziata dei prodotti e degli imballaggi utilizzati consente il riciclaggio dei materiali e il loro continuo utilizzo. Il riutilizzo dei materiali riciclati favorisce la protezione dell'ambiente prevenendo l'inquinamento e riduce il fabbisogno di materie prime.

Seguire la regolamentazione locale per la raccolta differenziata dei prodotti elettrici che può prevedere punti di raccolta o la consegna dell'elettrotensile al rivenditore presso il quale viene acquistato un nuovo prodotto.

Black & Decker offre ai suoi clienti la possibilità di riciclare i prodotti Black & Decker che hanno esaurito la loro vita di servizio. Per usufruire di tale servizio, è sufficiente restituire il prodotto a qualsiasi tecnico autorizzato, incaricato della raccolta per conto dell'azienda.

Per individuare il tecnico autorizzato più vicino, rivolgersi alla sede Black & Decker locale, presso il recapito indicato nel presente manuale. In alternativa, un elenco completo di tutti i tecnici autorizzati Black & Decker e i dettagli completi sui contatti e i servizi post-vendita sono disponibili su Internet presso: www.2helpu.com.



Le batterie Black & Decker possono essere ricaricate molte volte. Alla fine della loro vita utile, smaltirle in conformità alle norme ambientali.

- ◆ Non smaltire le batterie bruciandole dato che si potrebbe causare un'esplosione.
- ◆ Le batterie al piombo (Pb) sono riciclabili. Esse non devono essere smaltite con i normali rifiuti domestici. Se non è possibile usufruire di un programma di riciclaggio del prodotto, la batteria deve essere estratta come descritto di seguito e smaltita in base alle norme vigenti.
- ◆ Non cortocircuitare i terminali della batteria.
- ◆ Fare attenzione dato che la batteria è pesante.
- ◆ Se possibile, far funzionare l'apparecchio in modo da scaricare del tutto la batteria.

Consultare la vista esplosa sul retro del presente manuale per facilitare l'estrazione delle batterie.

Imballare la batteria in modo idoneo per evitare che i terminali possano essere cortocircuitati.

Portare la batteria dal tecnico autorizzato o presso il centro di riciclaggio di zona. Le batterie raccolte verranno riciclate oppure smaltite in modo adeguato.

Dati tecnici

		BDV012
Batteria		12 V 19 A/h
	Tipo	sigillata al piombo
Erogazione (di spunto)	A	450
Erogazione (continua per 5 secondi)	A	300
Peso	kg	7,1
Caricabatterie		
Ingresso	V C.A.	230
Tempo di ricarica approssimativo	h	48
Peso	kg	0,2

Dichiarazione CE di conformità

BDV012

Black & Decker dichiara che i presenti prodotti sono conformi alle normative:
Norme e leggi.

95/54/CE, 73/23/CEE, 89/336/CEE EN60335, EN55014, EN61000



Kevin Hewitt
Direttore tecnico prodotti di consumo
Spennymoor, County Durham
DL16 6JG,
Regno Unito
31-09-2006

Garanzia

Certa della qualità dei suoi prodotti, Black & Decker offre una garanzia eccezionale. Il presente certificato di garanzia è complementare ai diritti legali e non li pregiudica in alcun modo. La garanzia è valida entro il territorio degli Stati membri dell'Unione Europea e dell'EFTA (European Free Trade Area).

Se un prodotto Black & Decker risulta difettoso per qualità del materiale, della costruzione o per mancata conformità entro 24 mesi dalla data di acquisto, Black & Decker garantisce la sostituzione delle parti difettose, provvede alla riparazione dei prodotti se ragionevolmente usurati oppure alla loro sostituzione, in modo da ridurre al minimo il disagio del cliente a meno che:

- ◆ Il prodotto non sia stato destinato ad usi commerciali, professionali o al noleggio;
- ◆ Il prodotto non sia stato usato in modo improprio o scorretto;
- ◆ Il prodotto non abbia subito danni causati da oggetti o sostanze estranee oppure incidenti;
- ◆ Il prodotto non abbia subito tentativi di riparazione non effettuati da tecnici autorizzati né dall'assistenza Black & Decker.

Per attivare la garanzia è necessario esibire la prova comprovante l'acquisto al venditore o al tecnico autorizzato. Per individuare il tecnico autorizzato più vicino, rivolgersi alla sede Black & Decker locale, presso il recapito indicato nel presente manuale. Altrimenti un elenco completo di tutti i tecnici autorizzati Black & Decker e i dettagli completi sui contatti e i servizi post-vendita sono disponibili su Internet presso:

www.2helpU.com

I clienti che desiderano registrare il nuovo prodotto Black & Decker e ricevere gli aggiornamenti sui nuovi prodotti e le offerte speciali, sono invitati a visitare il sito Web (www.blackanddecker.it). Ulteriori informazioni sul marchio e la gamma di prodotti Black & Decker sono disponibili all'indirizzo www.blackanddecker.it.

Beoogd gebruik

De jump starter van Black & Decker is bedoeld als extra stroomvoorziening voor loodzuurbatterijen voor het starten van automotoren en als draagbare 12V-voedingsbron. Het product is uitsluitend bestemd voor huishoudelijk consumentengebruik.

Veiligheidsinstructies

Waarschuwing! Bij batterijgevoede apparaten moeten bepaalde elementaire voorzorgsmaatregelen, waaronder de navolgende, in acht worden genomen om het gevaar voor brand, lekkende batterijen, persoonlijk letsel en materiële schade tot een minimum te beperken.

- ◆ Lees deze handleiding zorgvuldig door voordat u het apparaat in gebruik neemt.
- ◆ In deze handleiding wordt ingegaan op het beoogde gebruik. Het gebruik van andere accessoires of hulpstukken dan wel de uitvoering van andere handelingen dan in deze gebruikershandleiding worden aanbevolen, kan tot persoonlijk letsel leiden.
- ◆ Bewaar deze handleiding zorgvuldig zodat u deze altijd nog eens kunt raadplegen.

Gebruik van het apparaat

Ga bij gebruik van het apparaat altijd voorzichtig te werk.

- ◆ Dit apparaat mag niet zonder supervisie door jonge of lichamelijk zwakke mensen worden gebruikt.
- ◆ Het apparaat mag niet als speelgoed worden gebruikt.
- ◆ Gebruik het apparaat alleen in een droge locatie. Het apparaat mag niet nat worden.
- ◆ Dompel het apparaat niet onder in water.
- ◆ Open de behuizing niet. Het apparaat bevat geen onderdelen die door de gebruiker kunnen worden gerepareerd.
- ◆ Gebruik het apparaat niet in een omgeving met explosiegevaar, zoals in de nabijheid van brandbare vloeistoffen, gassen of stof.
- ◆ Haal de stekker nooit uit het stopcontact door aan de kabel te trekken. Zo voorkomt u beschadiging aan de stekker of de kabel.

Na gebruik

- ◆ Bewaar het apparaat na gebruik op een droge, goed geventileerde plaats, buiten het bereik van kinderen.
- ◆ Zorg dat het bewaarde apparaat niet toegankelijk is voor kinderen.
- ◆ Wanneer het apparaat in de auto ligt, moet u het apparaat in de kofferruimte plaatsen of goed vastzetten, zodat het apparaat niet kan wegschieten bij plotselinge veranderingen in snelheid of richting.
- ◆ Het apparaat mag niet worden blootgesteld aan direct zonlicht, hitte en vocht.

Inspectie en reparaties

- ◆ Controleer het apparaat vóór gebruik op beschadigingen en defecten. Controleer het vooral op gebroken onderdelen, schade aan de schakelaars en andere omstandigheden die de werking ervan kunnen beïnvloeden.
- ◆ Gebruik het apparaat niet in geval van een of meer beschadigde of defecte onderdelen.
- ◆ Laat beschadigde of defecte onderdelen door een van onze servicecentra repareren of vervangen.
- ◆ Probeer nooit andere onderdelen te verwijderen of vervangen dan in deze handleiding zijn vermeld.

Veiligheidsinstructies voor jump starters

Het apparaat is voorzien van de volgende symbolen:



Aan-uitschakelaar (7), stand ON.



Aan-uitschakelaar (7), stand OFF.



Uitgang voor hulpstukken (12V-gelijkstroom).



Indicator voor omgekeerde polariteit.

- ◆ Voertuigen kunnen zijn voorzien van elektrische en elektronische systemen (bijvoorbeeld een motorbeheersysteem, mobiele telefoon) die beschadigd kunnen raken als ze worden blootgesteld aan hoge voltages en spanningspieken. Lees voordat u het apparaat op het voertuig aansluit, de gebruikershandleiding van het voertuig door om na te gaan of u assistentie van een technicus nodig hebt.
- ◆ Volg deze instructies en de instructies van de fabrikant van de accu, het voertuig en de overige apparatuur die u bij dit apparaat wilt gebruiken. Let op de waarschuwingslabels op deze producten en op het voertuig.
- ◆ Dit apparaat kan niet als vervanging van de accu in het voertuig auto worden gebruikt. Start het voertuig alleen als er een accu in is geplaatst.
- ◆ Sluit het apparaat alleen aan op een 12V-loodzuurbatterij. Gebruik het apparaat niet voor het opladen van droge batterijen die in huishoudelijke apparaten worden gebruikt. Deze batterijen kunnen exploderen en personen verwonden en schade aanrichten.
- ◆ Controleer de polariteit van de accupolen van het voertuig voordat u het apparaat aansluit. Sluit altijd eerst de negatieve (zwarte) accukabel aan. Sluit vervolgens de positieve (rode) accukabel aan.
- ◆ Voordat u het apparaat op een voedingsbron aansluit om gaat opladen, moet u eerst de aan-uitschakelaar op de stand OFF zetten.

- ◆ De rode en zwarte klemmen mogen elkaar nooit raken of ander metaal aanraken. Hierdoor kan het apparaat beschadigd raken en/of kan gevaar voor brand of ontploffing ontstaan. Bevestig de batterijklemmen altijd aan de houders wanneer u de klemmen niet gebruikt.
- ◆ Als u dit apparaat in de buurt van de accu en motor van een voertuig gebruikt, moet u het apparaat op een vlakke, stabiele ondergrond plaatsen en klemmen, kabels, kleding en lichaamsdelen uit de buurt houden van bewegende onderdelen van het voertuig.
- ◆ Dit apparaat is voorzien van een verzegelde loodzuurbatterij. Het wordt aangeraden het apparaat altijd tijdens opslag, gebruik en opladen recht op te plaatsen.
- ◆ Explosief gas kan tijdens opladen uit de loodzuurbatterijen ontsnappen en onder extreme omstandigheden kan de batterij gaan lekken. Zorg voor een goede ventilatie in de ruimte waar u de accu gebruikt en oplaadt.
- ◆ Gebruik geen 12V-aansluiting voor het opladen van het apparaat als het voertuig wordt gebruikt. Zorg voor een goede ventilatie van de ruimte.
- ◆ Koppel het apparaat los als u het gaat reinigen of onderhouden om kans op elektrische schokken te voorkomen. U kunt dit niet voorkomen door alleen de knoppen uit te schakelen.
- ◆ De 12V-uitgang is alleen bedoeld als uitgang voor hulpmiddelen. De maximale uitgangsspanning is 5 A. Steek nooit een sigarettenaansteker van de auto in de 12V-uitgang voor hulpmiddelen op het apparaat.
- ◆ Controleer voordat u met de procedure voor het opladen van de accu begint, of het apparaat niet op een stroombron is aangesloten.
- ◆ Gebruik nooit tegelijkertijd wisselstroom en gelijkstroom.

Aanvullende veiligheidsinstructies voor batterijen en laders

Batterijen

- ◆ Probeer batterijen niet te openen, om welke reden dan ook.
- ◆ Stel de batterij niet bloot aan water.
- ◆ Bewaar deze niet op locaties met temperaturen van meer dan 40 °C.
- ◆ Laad de batterijen alleen op bij een omgevingstemperatuur van 10-40 °C.
- ◆ Gebruik alleen de lader die bij het apparaat is geleverd.
- ◆ Gooi lege batterijen weg volgens de instructies in het gedeelte "Milieu".
- ◆ Onder extreme omstandigheden kunnen batterijen lekkages vertonen. Wanneer de batterijen nat of vochtig zijn, veegt u de vloeistof voorzichtig af met een doek. Vermijd huidcontact.
- ◆ Bij huid- of oogcontact volgt u de onderstaande instructies.

Waarschuwing! De batterijvloeistof is verdund zwavelzuur en kan letsel of materiële schade veroorzaken. Bij huidcontact moet u de vloeistof direct afspoelen met water. Raadpleeg uw huisarts als er rode vlekken ontstaan of bij een pijnlijke of geïrriteerde huid. Als de vloeistof in uw ogen komt, moet u uw

ogen direct uitspoelen met water en onmiddellijk uw huisarts raadplegen.

Laders

De lader is ontworpen voor een specifieke spanning. Controleer altijd of de netspanning overeenkomt met de waarde op het typeplaatje.

Waarschuwing! Vervang de oplaadeenheid nooit door een normale netstekker.

Gebruik de lader van Black & Decker alleen voor de batterijen in het apparaat waarbij de lader is geleverd. Andere batterijen kunnen exploderen met letsel en materiële schade als gevolg.

- ◆ Niet-laadbare batterijen mogen nooit worden opgeladen.
- ◆ Een defect snoer moet direct worden vervangen.
- ◆ Stel de lader niet bloot aan water.
- ◆ Open de lader niet.
- ◆ Prik nooit met een scherp voorwerp in de lader.

Laad de batterij in een goed geventileerde locatie.

Uw lader is voorzien van de volgende symbolen:



De laadhouder is dubbel geïsoleerd, zodat een aardaansluiting niet noodzakelijk is.



Storingsvrije scheidingstransformator. De netspanning is elektrisch van de transformatoruitgang gescheiden.



De lader wordt automatisch uitgeschakeld als de omgevingstemperatuur te ver oploopt. Hierdoor zal de lader onbruikbaar worden. Neem de lader in dat geval uit het stopcontact en laat deze door een erkend servicecentrum repareren.



De laadhouder is uitsluitend bestemd voor binnengebruik.

Elektrische veiligheid



Dit gereedschap is dubbel geïsoleerd. Een aardaansluiting is daarom niet noodzakelijk. Controleer altijd of uw netspanning overeenkomt met de waarde op het typeplaatje.

- ◆ Als het netsnoer is beschadigd, moet dit worden vervangen door de fabrikant of een Black & Decker-servicecentrum om gevaren te voorkomen.

Onderdelen

Het apparaat kan de volgende onderdelen bevatten:

1. Accukabels
2. Aansluiting voor lader (12V-gelijkstroom)
3. Uitgang voor hulpstukken (12V-gelijkstroom)
4. Knop voor accustatus
5. Draaggreep
6. LED-lampjes voor accustatus
7. Aan-uitschakelaar

8. Aan-uitschakelaar van het LED-lampje voor AREA
9. Indicator voor omgekeerde polariteit
10. LED-lampje voor AREA
11. Wisselstroomlader
12. 12V-autoadapter
13. Zware koperen klemmen
14. Klemhouders

GEBRUIK

Het apparaat opladen (fig. A)

Bij aanschaf is het apparaat gedeeltelijk opgeladen.

- ◆ Voordat u het apparaat voor de eerste keer gaat gebruiken, moet u het eerst 48 uur opladen met de wisselstroomlader (11).

U moet de loodzuurbatterijen regelmatig controleren om er zeker van te zijn dat de batterijen goed worden opgeladen en lang meegaan. Alle batterijen verliezen stroom door zelfontlading. Bij hoge temperaturen gebeurt dit nog sneller. Laad wanneer u het apparaat niet gebruikt, de batterij minstens elke 60 dagen op.

- ◆ Controleer het accuniveau door op de accustatusknop (4) te drukken. Het LED-lampje van de laadstatus (6) geeft aan hoeveel de batterij is opgeladen. Als er slechts één rood LED-lampje brandt, moet u het apparaat opladen.

Opmerking: De batterij gaat langer mee als u deze na gebruik weer oplaadt. De levensduur van de batterij wordt bekort als u deze te veel uitput of de batterij te lang oplaadt.

U kunt de batterij met de wisselstroomlader (11) of de 12V-autoadapter opladen (12).

Het apparaat met de wisselstroomlader opladen (fig. A)

Als de eenheid wordt opgeladen, moeten de aan-uitschakelaar (7) en het LED-lampje voor AREA (10) zijn uitgeschakeld.

Tijdens het opladen gaan de rode LED-lampjes één voor één branden.

- ◆ Laad het apparaat op totdat het groene lampje brandt.
- ◆ Laad het apparaat dan nog een of twee uur op.

Opmerking: Laat de wisselstroomlader niet langer dan 60 uur aangesloten staan.

- ◆ Trek na het laden de wisselstroomlader (11) uit het stopcontact en berg de adapter op.

De eenheid met de 12V-autoadapter opladen (fig. A)

Als de eenheid wordt opgeladen, moeten de aan-uitschakelaar (7) en het LED-lampje voor AREA (10) zijn uitgeschakeld.

De 12V-autoadapter (12) is niet voorzien van een teruglopende lading.

Waarschuwing! Let op het volgende tijdens het opladen met de 12V-autoadapter (12):

- ◆ Laad de accu niet langer dan 4 uur op.
- ◆ Laad de accu niet onbeheerd achter.

De accu opladen via de adapter in de 12V-autoadapter (12):

- ◆ Steek het ene uiteinde van de 12V-autoadapter (12) in de 12V-aansluiting van de auto of de boot.
- ◆ Steek het andere uiteinde van de adapter in de 12V-uitgang voor hulpmiddelen (3) aan de voorkant van het apparaat.
- ◆ Als u tijdens het laden de status van de batterij wilt bekijken, moet u de 12V-autolader loskoppelen van de uitgang voor hulpmiddelen en de drukknop voor de batterijstatus indrukken. Let daarbij op de LED's van de batterijstatus. Laad het apparaat niet langer dan 3 tot 4 uur op.
- ◆ Wanneer het apparaat is opgeladen, verwijdert u de 12V-autoadapter (12) en bergt u de adapter op.

Het apparaat als een accubooster gebruiken (fig. A en B)

Opmerking: De accu van de boot moet aan land worden opgeladen. Voor het aan boord opladen van de accu is speciale apparatuur nodig.

- ◆ Schakel het contact van de boot of het voertuig en alle eventuele hulpmiddelen uit voordat u de accubooster op de accu aansluit.
- ◆ Zorg ervoor dat de aan-uitschakelaar (7) van het apparaat op OFF staat.
- ◆ De volgende procedure geldt voor een systeem met negatieve aarde, dat wil zeggen dat de negatie accupool is verbonden met het chassis.
- ◆ Sluit de positieve rode klem (+) aan op de positieve accupool.
- ◆ Bevestig de negatieve zwarte klem (-) aan het chassis van het voertuig of aan een stevig, niet-bewegend metaal onderdeel van het voertuig.

Waarschuwing! Leg de kabels niet in de buurt van de aandrijfriem of de ventilator.

- ◆ Zet de aan-uitschakelaar (7) van het apparaat in de stand ON.
- ◆ Start het voertuig en probeer de motor in 3 tot 6 seconden te starten.

Als de motor niet binnen 6 seconden loopt, laat u de interne accu van het apparaat 3 minuten afkoelen voordat u een nieuwe poging waagt.

- ◆ Als de motor start, zet u de aan-uitschakelaar (7) van het apparaat in de stand OFF.
- ◆ Laat de motor van het voertuig lopen.
- ◆ Maak eerst de zwarte klem (-) los van de motor of het chassis en vervolgens de rode klem (+) die aan de positieve accupool is bevestigd.
- ◆ Duw de zwarte kabel (negatief) voorzichtig in de daarvoor bestemde ruimte, te beginnen bij het uiteinde waar geen klem zit.
- ◆ Bevestig de negatieve klem (zwart) aan de houder (14).

- ◆ Duw de rode kabel (negatief) voorzichtig in de daarvoor bestemde ruimte, te beginnen bij het uiteinde waar geen klem zit.
- ◆ Bevestig de positieve klem (rood) aan de houder (14).
- ◆ Laad het apparaat zo snel mogelijk op.

De draagbare 12V-stroomvoeding gebruiken (fig. A)

Deze draagbare voedingseenheid kan bij alle 12V-hulpmiddelen worden gebruikt die zijn voorzien van een mannelijke aansluiting van 5 A.

Waarschuwing! Gebruik het apparaat niet of laad het apparaat niet op als de 12V-uitgang voor hulpmiddelen (3) wordt gebruikt.

- ◆ Trek de klep van de 12V-uitgang voor hulpmiddelen (3) omhoog.
- ◆ Steek de 12V-stekker van het apparaat in de 12V-uitgang voor hulpmiddelen (3) op de bovenkant van het apparaat.

Waarschuwing! Voorkom een belasting van meer dan 5 A.

- ◆ Schakel het apparaat in en gebruik het volgens de voorschriften.
- ◆ Druk zo nu en dan op de accustatusknop (4) om de status van de interne batterij te controleren.

Waarschuwing! Controleer of de aan-uitschakelaar (7) van het apparaat in de stand OFF staat wanneer u de 12V-uitgang voor hulpmiddelen (3) van het apparaat gebruikt.

Waarschuwing! Gebruik geen apparaten van meer dan 5 A.

Waarschuwing! Steek nooit een sigarettenaansteker in de 12V-uitgang voor hulpmiddelen (3).

Het LED-lampje voor AREA gebruiken (fig. A)

Het LED-lampje voor AREA (10) kan 114 uur branden als het apparaat volledig is opgeladen. De levensduur van dit lampje is 100.000 uur.

- ◆ Schuif de aan-uitschakelaar van het LED-lampje voor AREA (8) op het bovenpaneel van het apparaat om het LED-lampje voor AREA (10) in te schakelen.
- ◆ Schuif de aan-uitschakelaar van het LED-lampje voor AREA (8) op het bovenpaneel van het apparaat om het LED-lampje voor AREA (10) uit te schakelen.

Zorg ervoor dat het LED-lampje voor AREA is uitgeschakeld wanneer het apparaat wordt opgeladen of is opgeborgen.

ONDERHOUD

Uw Black & Decker-gereedschap is ontworpen om gedurende langere periode te functioneren met een minimum aan onderhoud. U kunt het gereedschap naar volle tevredenheid blijven gebruiken als u voor correct onderhoud zorgt en het gereedschap regelmatig schoonmaakt.

Waarschuwing! Verwijder altijd de stekker uit het stopcontact voordat u onderhouds- of reinigingswerkzaamheden aan het apparaat uitvoert.

- ◆ Neem het apparaat van tijd tot tijd af met een vochtige doek. Gebruik geen schuur- of oplosmiddel. Dompel het apparaat niet onder in water.

De zekering in de autolader vervangen

- ◆ Draai de goudkleurige kap linksom om deze te verwijderen.
- ◆ Verwijder de rubberen afdichting, de centrale pin en de veer.
- ◆ Verwijder de zekering.
- ◆ Plaats een nieuwe zekering van hetzelfde type en formaat (8 A).
- ◆ Plaats de centrale pin, de veer en de rubberen afdichting.
- ◆ Draai de goudkleurige kap rechtsom om deze te vast te zetten.

Milieu



Mocht u op een dag constateren dat het apparaat aan vervanging toe is of dat u het apparaat niet meer nodig hebt, houd dan rekening met het milieu. Black & Decker-servicecentra zijn bereid oude Black & Decker-machines in te nemen en ervoor te zorgen dat deze op milieuvriendelijke wijze worden afgevoerd.



Gescheiden inzameling van gebruikte producten en verpakkingsmaterialen maakt het mogelijk materialen te recyclen en opnieuw te gebruiken. Hergebruik van gerecyclede materialen zorgt voor minder milieuvulling en dringt de vraag naar grondstoffen terug.

Plaatselijke verordeningen kunnen voorzien in gescheiden inzameling van huishoudelijke elektrische producten via gemeentelijke stortplaatsen of via de leverancier bij wie u een nieuw product aanschaft.

Black & Decker biedt de mogelijkheid tot het recyclen van afgedankte Black & Decker-producten. Om gebruik te maken van deze service, dient u het product naar een van onze servicecentra te sturen, die de inzameling voor ons verzorgen.

U kunt het adres van het dichtstbijzijnde servicecentrum opvragen via de adressen op de achterzijde van deze handleiding. U kunt ook een lijst van onze servicecentra en meer informatie over onze klantenservice vinden op het volgende internetadres: **www.2helpU.com**.



Black & Decker-batterijen kunnen veelvuldig worden herladen. Gooi afgedankte batterijen op verantwoorde wijze weg:

- ◆ Werp batterijen niet in het vuur. Dit kan een explosie tot gevolg hebben.
- ◆ Loodzuurbatterijen (Pb) kunnen worden gerecycled. Deze batterijen mogen niet bij het huishoudelijk afval. Als er geen recyclingprogramma bij u in de buurt is, moet u de batterij op de hierna beschreven wijze verwijderen en conform de geldende voorschriften afvoeren.
- ◆ Voorkom dat de polen van de batterij worden kortgesloten.
- ◆ Let op: de batterij is zwaar.

- ◆ Indien mogelijk gebruikt u de schijnwerper totdat de batterij helemaal leeg is.

Het diagram op de achterkant van deze gebruiksaanwijzing laat zien hoe u de batterijen kunt verwijderen.

Plaats de batterij in een geschikte verpakking om te voorkomen dat de polen worden kortgesloten.

Breng de batterij naar het servicecentrum of een inzamellocatie in uw woonplaats. Verzamelde batterijen worden gerecycled of op de juiste manier verwerkt.

Technische gegevens

BDV012		
Batterij		12 V, 19 Ah
	Type	verzegelde loodzuurbatterij
Uitgang (direct)	A	450
Uitgang (constant gedurende 5 seconden)	A	300
Gewicht	kg	7,1
Accuoplader		
Invoer	Vac	230
Oplaadtijd ca.	h	48
Gewicht	kg	0,2

- ◆ Het product is gebruikt voor handelsdoeleinden, professionele toepassingen of verhuurdoeleinden;
- ◆ Het product onoordeelkundig is gebruikt;
- ◆ Het product is beschadigd door invloeden van buitenaf of door een ongeval;
- ◆ Reparaties zijn uitgevoerd door anderen dan onze servicecentra of Black & Decker-personeel.

Om een beroep te doen op de garantie, dient u een aankoopbewijs te overhandigen aan de verkoper of een van onze servicecentra. U kunt het adres van het dichtstbijzijnde servicecentrum opvragen via de adressen op de achterzijde van deze handleiding. U kunt ook een lijst van onze servicecentra en meer informatie m.b.t. onze klantenservice vinden op het volgende internetadres:

www.2helpU.com

Meld u aan op onze website **www.blackanddecker.nl** om te worden geïnformeerd over nieuwe producten en speciale aanbiedingen. Verdere informatie over het merk Black & Decker en onze producten vindt u op

www.blackanddecker.nl.

EG-conformiteitsverklaring

BDV012

Black & Decker verklaart dat deze producten in overeenstemming zijn met:

Standaarden en wetgeving.

95/54/EC, 73/23/EEC, 89/336/EEC EN60335, EN55014, EN61000



Kevin Hewitt
 Director of Consumer Engineering
 Spennymoor, County Durham
 DL16 6JG,
 Verenigd Koninkrijk
 31-09-2006

Garantie

Black & Decker heeft vertrouwen in zijn producten en biedt een uitstekende garantie. Deze garantiebepalingen vormen een aanvulling op uw wettelijke rechten en beperken deze niet. De garantie geldt in de lidstaten van de Europese Unie en de Europese Vrijhandelsassociatie.

Mocht uw Black & Decker-product binnen 24 maanden na de datum van aankoop defect raken ten gevolge van materiaal-of constructiefouten, dan garanderen wij de kosteloze vervanging van defecte onderdelen, de reparatie van het product of de vervanging van het product, tenzij:

Uso previsto

El auxiliar de arranque Black & Decker está diseñado para suministrar alimentación adicional a baterías de ácido de plomo en el encendido de motores de automóvil y para actuar como fuente de alimentación portátil de cc de 12 V. Este producto está pensado únicamente para uso doméstico.

Instrucciones de seguridad

¡Atención! Si utiliza aparatos alimentados por batería, es necesario seguir las precauciones de seguridad básicas, incluidas las que se indican a continuación, para reducir el riesgo de incendios, fugas del electrolito, lesiones y daños materiales.

- ◆ Lea todo el manual detenidamente antes de utilizar el aparato.
- ◆ En este manual se describe el uso para el que se ha diseñado el aparato. La utilización de accesorios o la realización de operaciones distintas de las recomendadas en este manual de instrucciones puede presentar un riesgo de lesiones.
- ◆ Conserve este manual para futuras consultas.

Utilización del aparato

Tenga mucho cuidado al utilizar el aparato.

- ◆ Este aparato está pensado para utilizarse con la supervisión correspondiente en el caso de menores o personas que no cuentan con la fuerza necesaria.
- ◆ Este aparato no es un juguete.
- ◆ Utilícelo únicamente en lugares secos. Tenga cuidado de no mojar la unidad.
- ◆ No introduzca el aparato en agua.
- ◆ No abra la carcasa. Las piezas del interior del aparato no pueden ser reparadas por el usuario.
- ◆ No utilice el aparato en un entorno con peligro de explosión, en el que se encuentren combustibles líquidos, gases o material en polvo.
- ◆ Para evitar dañar las clavijas y los cables, no tire del cable para extraer la clavija de la toma de corriente.

Después de la utilización

- ◆ Cuando el aparato no esté en uso, deberá guardarse en un lugar seco, bien ventilado, y lejos del alcance de los niños.
- ◆ Los niños no deben tener acceso a los aparatos guardados.
- ◆ Cuando se guarde o transporte el aparato en un vehículo, deberá colocarse en el maletero o asegurarse para evitar movimientos producidos por cambios repentinos en la velocidad o la dirección.
- ◆ Es conveniente proteger el aparato de la incidencia de la luz solar directa, el calor y la humedad.

Inspecciones y reparaciones

- ◆ Antes de utilizarlo, compruebe que el aparato no tiene piezas dañadas o defectuosas. Compruebe que no hay piezas rotas, los interruptores no están dañados y demás

defectos que puedan afectar al funcionamiento del aparato.

- ◆ No utilice el aparato si presenta alguna pieza dañada o defectuosa.
- ◆ Solicite al servicio técnico autorizado la reparación o sustitución de las piezas dañadas o defectuosas.
- ◆ Nunca intente extraer o sustituir piezas no especificadas en este manual.

Instrucciones de seguridad específicas para auxiliares de arranque

El aparato muestra los siguientes símbolos:



Interruptor ON/OFF (encendido/apagado) (7), posición ON (encendido).



Interruptor ON/OFF (encendido/apagado) (7), posición OFF (apagado).



Salida auxiliar de cc de 12 V.



Indicador de polaridad invertida.

- ◆ Es posible que los vehículos dispongan de sistemas electrónicos y eléctricos (por ejemplo, el sistema de gestión del motor, el teléfono móvil, etc.) que pueden dañarse si se someten a voltajes elevados durante el encendido o a sobretensiones. Antes de conectar el aparato al vehículo, lea el manual de instrucciones del mismo para comprobar si se admite la ayuda externa para el encendido.
- ◆ Siga estas instrucciones y las suministradas por el fabricante de la batería, del vehículo y de cualquier equipo que desee utilizar con esta unidad. Observe las etiquetas de advertencia de estos productos y del vehículo.
- ◆ Este aparato no está diseñado para utilizarse en sustitución de la batería del vehículo. No trate de utilizar un vehículo que no tenga instalada una batería.
- ◆ El aparato debe conectarse únicamente a baterías de ácido de plomo de 12 V. No utilice el aparato para cargar pilas secas utilizadas normalmente en aparatos domésticos, ya que es posible que se produzcan explosiones que provoquen lesiones y daños materiales.
- ◆ Compruebe la polaridad de los terminales de la batería del vehículo antes de conectar el aparato. Desconecte primero siempre el cable negativo (negro) del auxiliar seguido del cable positivo (rojo).
- ◆ El interruptor ON/OFF (encendido/apagado) deberá estar en la posición OFF (apagado) antes de conectarlo a una fuente de alimentación o carga si la unidad está en proceso de carga o no está en uso.

- ◆ Nunca permita que las pinzas roja y negra entren en contacto entre sí ni con otro conductor de metal común ya que, de lo contrario, podrían producirse daños en el aparato o peligro de que se originen chispas o una explosión. Cuando no las utilice, guarde siempre las pinzas de la batería en las pistoleras incorporadas.
- ◆ Si utiliza la unidad cerca de la batería y el motor del vehículo, coloque la unidad en una superficie plana y estable y asegúrese de mantener todas las pinzas, cables, ropas y partes del cuerpo alejadas de las piezas móviles del vehículo.
- ◆ Este aparato contiene una batería de ácido de plomo sellada. Es recomendable colocar el aparato en posición vertical durante el almacenamiento, el uso y la recarga.
- ◆ Es posible que se produzcan escapes de gas explosivo desde las baterías de ácido de plomo durante la carga y, en condiciones extremas, podrían producirse fugas del líquido de la batería. Asegúrese de que el área esté correctamente ventilada durante el uso del auxiliar de arranque y el procedimiento de recarga.
- ◆ No utilice el conector de 12 V para cargar el aparato con ocupantes en el interior del vehículo. Asegúrese de que el área esté bien ventilada.
- ◆ Para reducir el riesgo de que se produzcan descargas eléctricas, desconecte el aparato de cualquier fuente de alimentación antes de realizar el mantenimiento o la limpieza del mismo. Si se desactivan los controles sin desconectar el aparato, este riesgo no se verá reducido.
- ◆ La toma de salida de cc de 12 V está estrictamente diseñada para utilizarse como salida opcional, con una corriente máxima de 5 A. Nunca introduzca el mechero del automóvil en la toma de salida auxiliar de cc de 12 V.
- ◆ Asegúrese de que el aparato no está conectado a ninguna fuente de alimentación de carga antes de iniciar el proceso de auxilio del arranque.
- ◆ Nunca intente utilizar las conexiones del cargador de ca y de carga de cc simultáneamente.

Instrucciones de seguridad adicionales para baterías y cargadores

Baterías

- ◆ No intente abrirlas bajo ningún concepto.
- ◆ No exponga la batería al agua.
- ◆ No las almacene en lugares en los que la temperatura pueda superar los 40 °C.
- ◆ Realice la carga únicamente a una temperatura ambiente entre los 10 °C y 40 °C.
- ◆ Utilice únicamente los cargadores suministrados con el aparato para realizar la carga.
- ◆ Cuando vaya a desechar las baterías, siga las instrucciones facilitadas en la sección "Protección del medio ambiente".

- ◆ Es posible que se produzcan fugas en las baterías en condiciones extremas. Cuando observe que se producen fugas en las baterías, limpie cuidadosamente el líquido con un paño. Evite el contacto con la piel.
- ◆ En caso de que se produzca contacto con la piel o los ojos, siga las instrucciones facilitadas a continuación.

¡Atención! El líquido de las baterías es un ácido sulfúrico diluido y puede provocar lesiones personales o daños materiales. En caso de que se produzca contacto con la piel, aclare la zona con agua. Si se produce enrojecimiento, dolor o irritación, solicite atención médica. En caso de contacto con los ojos, aclare la zona inmediatamente con agua limpia y solicite atención médica inmediata.

Cargadores

El cargador se ha diseñado para un voltaje específico. Cada vez que utilice el aparato, debe comprobar que el voltaje de la red eléctrica se corresponde con el valor indicado en la placa de características.

¡Atención! Nunca intente sustituir el cargador por un conector de toma de corriente normal.

Utilice únicamente el cargador Black & Decker para cargar la batería en la herramienta con la que fue suministrado. En caso de intentar cargar otras baterías, éstas podrían explotar, lo cual podría provocar lesiones y daños personales.

- ◆ Nunca intente cargar baterías no recargables.
- ◆ Sustituya los cables defectuosos inmediatamente.
- ◆ No exponga el cargador al agua.
- ◆ No abra el cargador.
- ◆ No aplique ningún dispositivo para medir la resistencia del cargador.

La batería debe colocarse en una zona bien ventilada durante la carga.

El cargador muestra los siguientes símbolos.



La base del cargador está provista de doble aislamiento, por lo que no requiere una toma de tierra.



Transformador con aislamiento a prueba de fallos. El circuito eléctrico de la toma de corriente está aislado de la salida del transformador.



El cargador se apaga automáticamente si detecta que la temperatura ambiente es excesivamente elevada. En este caso, el cargador no se podrá utilizar. Deberá desconectar la base del cargador de la toma de corriente y llevar el cargador a un centro de servicio autorizado.



La base del cargador está pensada únicamente para utilizarla en espacios interiores.

Seguridad eléctrica



La herramienta lleva un doble aislamiento y por lo tanto no requiere de una toma a tierra. Compruebe siempre que la tensión de la red se corresponda con el valor indicado en la placa de datos de la herramienta.

- ◆ Si se llegase a dañar el cable de alimentación, deberá ser sustituido por el fabricante o por un centro de asistencia técnica autorizado de Black & Decker para evitar cualquier situación de riesgo.

Características

Este aparato incluye una o más de las siguientes características.

1. Cables del auxiliar
2. Toma de carga de cc de 12 V
3. Salida auxiliar de cc de 12 V
4. Botón de estado de la batería
5. Asa
6. Indicadores luminosos de estado de la batería
7. Interruptor ON/OFF (encendido/apagado)
8. Interruptor ON/OFF (encendido/apagado) de la luz del área de indicadores LED
9. Indicador de polaridad invertida
10. Luz del área de indicadores LED
11. Adaptador de carga
12. Adaptador de cc de 12 V para vehículos
13. Pinzas de cobre resistentes
14. Soportes de las pinzas

USO

Carga de la unidad (Fig. A)

La unidad se suministra parcialmente cargada.

- ◆ Cargue la unidad antes de utilizarla por primera vez mediante el adaptador de carga (11) durante 48 horas.

Las baterías de ácido de plomo requieren un mantenimiento rutinario para garantizar una carga completa y una vida útil prolongada. Con el tiempo, todas las baterías pierden energía debido a la descarga automática y con mayor rapidez en ambientes con temperaturas elevadas. Cuando la unidad no esté en uso, Black & Decker recomienda cargar la batería al menos cada 60 días.

- ◆ Pulse el botón de estado de la batería para comprobar el nivel de carga de la misma (4). El indicador LED de la pantalla de estado de la carga (6) indicará el nivel de carga de la batería. Cargue la unidad sólo cuando se ilumine un indicador LED rojo.

Nota: La carga de la batería después de cada uso prolongará la vida útil de la misma; si se producen fuertes descargas frecuentes entre los procesos de carga y/o sobrecarga, se reducirá la vida de la batería.

La batería puede cargarse mediante el adaptador de carga (11) o el adaptador para vehículos de cc de 12 V (12).

Carga de la unidad con el adaptador (Fig. A)

Asegúrese de que el interruptor ON/OFF (encendido/apagado) (7) y la luz del área de indicadores LED (10) están desactivados durante la carga de la unidad.

A medida que progresa la carga, los indicadores LED se iluminarán uno por uno.

- ◆ Cargue la unidad hasta que se ilumine el indicador LED FULL de color verde.
- ◆ Continúe efectuando la carga durante una o dos horas más.

Nota: El adaptador de carga no debe conectarse durante más de 60 horas.

- ◆ Una vez finalizada la carga, desconecte el adaptador de carga (11) y guárdelo en un lugar seguro.

Carga de la unidad mediante el adaptador para vehículos de cc de 12 V (Fig. A)

Asegúrese de que el interruptor ON/OFF (encendido/apagado) (7) y la luz del área de indicadores LED (10) están desactivados durante la carga de la unidad.

El adaptador de cc de 12 V para vehículos (12) no suministra una carga uniforme.

¡Atención! Durante la carga con el adaptador de cc de 12 V para vehículos (12):

- ◆ "No cargue el aparato durante más de 4 horas como máximo".
- ◆ "No deje el aparato desatendido".

Para cargar la unidad con el adaptador de cc de 12 V para vehículos (12):

- ◆ Introduzca un extremo del adaptador de cc de 12 V para vehículos (12) en una toma de salida auxiliar de cc de 12 V del vehículo o de la embarcación.
- ◆ Introduzca el otro extremo del adaptador de cc de 12 V para vehículos (12) en la toma de salida auxiliar (3) de cc de 12 V situada en la parte frontal de la unidad.
- ◆ Para comprobar el estado de la carga de la batería durante la carga de cc, desconecte el adaptador de cc de 12 V para vehículos de la salida auxiliar y pulse el botón de estado de la batería. Observe los indicadores LED de estado de la batería. No cargue el aparato durante más de 3 ó 4 horas como máximo.
- ◆ Una vez finalizada la carga, desconecte el adaptador de cc de 12 V para vehículos (12) y guárdelo en un lugar seguro.

Utilización de la unidad como auxiliar de arranque (Figs. A y B)

Nota: Las baterías marinas deben extraerse de la embarcación y cargarse en tierra. Para cargarlas en la embarcación es necesario disponer de un equipo diseñado específicamente para uso marino.

- ◆ Desactive el encendido del vehículo y todos los accesorios antes de realizar ninguna conexión.
- ◆ Asegúrese de que el interruptor ON/OFF de la unidad (7) está en la posición OFF (apagado).
- ◆ El procedimiento siguiente está destinado para utilizarse con los sistemas de toma de tierra negativa, por ejemplo, el terminal de batería negativo que está conectado al chasis.
- ◆ Conecte la pinza positiva (+) de color rojo al terminal positivo de la batería del vehículo.
- ◆ Conecte la pinza negativa (-) de color negro al chasis del vehículo o a un componente de metal sólido e inmóvil del vehículo o a una parte del chasis.

¡Atención! Asegúrese de colocar los cables alejados de los cinturones móviles o del ventilador.

- ◆ Coloque el interruptor ON/OFF (7) de la unidad en la posición ON (encendido).
- ◆ Encienda el vehículo y haga girar el motor a intervalos de entre 3 y 6 segundos.

Si el motor no arranca antes de transcurrir 6 segundos, deje la batería interna de la unidad enfriarse durante 3 minutos antes de volver a realizar un intento.

- ◆ Una vez encendido el motor, coloque el interruptor ON/OFF (7) de la unidad en la posición OFF (apagado).
- ◆ Deje el motor del vehículo en marcha.
- ◆ Primero desconecte la pinza de color negro (-) que está conectada al motor o al chasis y, a continuación, la pinza de color rojo (+) que está conectada al terminal positivo (+) de la batería.
- ◆ Presione cuidadosamente el cable negativo del auxiliar (negro) hacia el canal de almacenamiento que comienza en el extremo más alejado de la pinza.
- ◆ Coloque la pinza negativa (color negro) en el soporte para pinzas (14).
- ◆ Presione cuidadosamente el cable positivo del auxiliar (rojo) para introducirlo en el canal de almacenamiento comenzando por el extremo más alejado de la pinza.
- ◆ Coloque la pinza positiva (color rojo) en el soporte para pinzas (14).
- ◆ Cargue la unidad lo antes posible.

Utilización de la fuente de alimentación portátil de cc de 12 V (Fig. A)

Esta fuente de alimentación portátil puede utilizarse con todo tipo de accesorios de cc de 12 V equipados con una clavija de toma de salida auxiliar macho con una tensión nominal de hasta 5 amperios.

¡Atención! No intente utilizar ni cargar la unidad si la toma de salida auxiliar de cc de 12 V (3) está en uso.

- ◆ Levante la tapa de la toma de salida auxiliar de cc de 12 V (3).
- ◆ Inserte la clavija de cc de 12 V del aparato en la toma de salida de cc de 12 V auxiliar (3) de la parte superior de la unidad.

¡Atención! No permita que se superen los 5 A.

- ◆ Encienda el aparato y utilícelo de manera normal.
- ◆ Pulse el botón de estado de la batería de manera periódica (4) para comprobar el estado de la batería interna.

¡Atención! Asegúrese de que el interruptor ON/OFF (7) de la unidad está en la posición OFF (apagado) cuando utilice la toma de salida auxiliar de cc de 12 V (3) de la unidad.

¡Atención! No utilice aparatos que necesiten más de 5 amperios.

¡Atención! Nunca introduzca un encendedor en la toma de salida auxiliar de cc de 12 V (3).

Utilización de la luz del área de indicadores LED (Fig. A)

La luz del área de indicadores LED (10) funcionará hasta 114 horas con la unidad completamente cargada. La vida útil de la luz del área de indicadores LED es de 100.000 horas.

- ◆ Deslice el botón ON/OFF (encendido/apagado) de la luz del área de indicadores LED (8) situada en el panel superior de la unidad para activar la luz del área de indicadores LED (10).
- ◆ Deslice el botón ON/OFF (encendido/apagado) de la luz del área de indicadores LED (8) situada en el panel superior de la unidad para desactivar la luz del área de indicadores LED (10).

Asegúrese de que la luz del área de indicadores LED está apagada durante la carga o el almacenamiento de la unidad.

MANTENIMIENTO

La herramienta de Black & Decker ha sido diseñada para que funcione durante un largo período de tiempo con un mantenimiento mínimo. El funcionamiento satisfactorio continuado depende de un cuidado apropiado y una limpieza periódica de la herramienta.

¡Atención! Para realizar el mantenimiento o limpieza del aparato, antes debe desenchufarlo.

- ◆ Limpie el aparato de vez en cuando con un paño húmedo. No utilice limpiadores de base abrasiva ni disolventes. No introduzca el aparato en agua.

Sustitución del fusible del cable de alimentación de cc para vehículos

- ◆ Gire la cubierta dorada hacia la izquierda para extraerla.
- ◆ Extraiga la arandela de goma, el pasador central y el muelle.
- ◆ Extraiga el fusible.
- ◆ Coloque un fusible nuevo del mismo tipo y tamaño (8 A).
- ◆ Vuelva a colocar el pasador central, el muelle y la arandela.
- ◆ Gire la cubierta dorada hacia la derecha para colocarla en la clavija.

Protección del medio ambiente



Si llegase el momento en que fuese necesario sustituir el aparato o si éste dejase de tener utilidad, debe tener en cuenta la protección del medio ambiente. El servicio técnico autorizado de Black & Decker aceptará herramientas Black & Decker ya usadas y se asegurará de desprenderse de ellas de modo que no se perjudique el medioambiente.



La recogida selectiva de productos y embalajes usados permite el reciclaje de materiales y su reutilización. La reutilización de materiales reciclados contribuye a evitar la contaminación medioambiental y reduce la demanda de materias primas.

Las normativas municipales deben ofrecer la recogida selectiva de productos eléctricos del hogar, en puntos municipales previstos para ello o a través del distribuidor en el caso en que se adquiera un nuevo producto.

Black & Decker proporciona facilidades para la recogida y reciclado de los productos Black & Decker que hayan llegado al final de su vida útil. Para poder utilizar este servicio, le rogamos entregue el producto a cualquier servicio técnico autorizado que se hará cargo del mismo en nuestro nombre. Para consultar la dirección del servicio técnico más cercano póngase en contacto con la oficina local de Black & Decker en la dirección que se indica en este manual. Como alternativa, se puede consultar en Internet, en la dirección siguiente, la lista de servicios técnicos autorizados e información completa sobre nuestros servicios de postventa y contactos: www.2helpU.com.



Las baterías de Black & Decker pueden recargarse muchas veces. Al final de su vida útil, deséchelas respetando el medio ambiente:

- ◆ No las arroje al fuego, ya que podría provocarse una explosión.
- ◆ Las baterías de ácido de plomo (Pb) son reciclables. Por ello, no deben desecharse con los residuos domésticos. Si no tiene acceso a ningún punto de reciclaje de productos, deberá extraerla como se describe a continuación y desecharla según la legislación aplicable.
- ◆ No provoque un cortocircuito con los terminales de la batería.
- ◆ Tenga en cuenta que la batería es pesada.
- ◆ Si es posible, utilice el aparato hasta que la batería se agote por completo.

Consulte el diagrama situado en la parte posterior de este manual para obtener ayuda en la extracción de las baterías.

Coloque la batería en un embalaje adecuado de modo que los terminales no entren en contacto y provoquen un cortocircuito.

Lleve la batería al agente autorizado más cercano o a un centro de reciclaje local. Las baterías recogidas se reciclarán o desecharán de manera adecuada.

Características técnicas

		BDV012
Batería	Tipo	12 V 19 Ah de ácido de plomo sellado
Salida (instantánea)	A	450
Salida (constante durante 5 segundos)	A	300
Peso	kg	7,1
Cargador de batería		
Entrada	Vac	230
Tiempo de carga aproximado	h	48
Peso	kg	0,2

Declaración de conformidad CE

BDV012

Black & Decker declara que estos productos cumplen las normas siguientes:

Normativas y legislación

95/54/EC, 73/23/EEC, 89/336/EEC EN60335, EN55014, EN61000

Kevin Hewitt
 Director de Ingeniería del Consumidor
 Spennymoor, County Durham
 DL16 6JG,
 Reino Unido
 31-09-2006

Garantía

Black & Decker confía plenamente en la calidad de sus productos y ofrece una garantía extraordinaria. Esta declaración de garantía es un añadido, y en ningún caso un perjuicio para sus derechos estatutarios. La garantía es válida dentro de los territorios de los Estados miembros de la Unión Europea y de los de la Zona Europea de Libre Comercio.

Si cualquier producto de Black & Decker resultara defectuoso debido a materiales o mano de obra defectuosos o a la falta de conformidad, Black & Decker garantiza, dentro de los 24 meses posteriores a la fecha de compra, la sustitución de las piezas defectuosas, la reparación de

los productos sujetos a un desgaste y rotura razonables o la sustitución de tales productos para garantizar al cliente el mínimo de inconvenientes, a menos que:

- ◆ El producto se haya utilizado con propósitos comerciales, profesionales o de alquiler.
- ◆ El producto se haya sometido a un uso inadecuado o negligente.
- ◆ El producto haya sufrido daños causados por objetos o sustancias extrañas o accidentes.
- ◆ Se hayan realizado reparaciones por parte de personas que no sean del servicio técnico autorizado o personal de servicios de Black & Decker.

Para reclamar en garantía, será necesario que presente la prueba de compra al vendedor o al servicio técnico de reparaciones autorizado. Pueden consultar la dirección de su servicio técnico más cercano poniéndose en contacto con la oficina local de Black & Decker en la dirección que se indica en este manual. Como alternativa, se puede consultar en Internet, en la dirección siguiente, la lista de servicios técnicos autorizados e información completa de nuestros servicios de postventa y contactos:

www.2helpU.com

Visite nuestro sitio web **www.blackanddecker.eu** para registrar su nuevo producto Black & Decker y mantenerse al día sobre nuestros productos y ofertas especiales.

Encontrará más información acerca de la marca Black & Decker y de la gama de productos que ofrece en la dirección **www.blackanddecker.eu**.

Utilização

O seu dispositivo de arranque Black & Decker foi concebido para fornecer energia adicional às baterias de ácido-chumbo que accionam o motor de arranque dos automóveis e para alimentar uma fonte portátil de alimentação de 12 Vdc. Este produto destina-se apenas a utilização doméstica do consumidor.

Instruções de segurança

Advertência! Ao utilizar aparelhos alimentados com bateria, devem ser sempre seguidas precauções de segurança, incluindo as seguintes, por forma a reduzir o risco de fogo, fugas das baterias, ferimentos pessoais e danos materiais.

- ◆ Leia cuidadosamente o manual completo antes de utilizar este aparelho.
- ◆ A utilização prevista para este aparelho está descrita no manual. A utilização de qualquer acessório ou a realização de qualquer operação com este aparelho que não se inclua no presente manual de instruções poderá representar um risco de ferimentos pessoais.
- ◆ Conserve este manual para referência futura.

Utilizar o seu aparelho

Tenha sempre cuidado quando utiliza este aparelho.

- ◆ Este aparelho não deve ser utilizado por jovens ou pessoas doentes sem supervisão.
- ◆ Este aparelho não deve ser utilizado como um brinquedo.
- ◆ Utilize apenas num local seco. Não deixe que a unidade seja molhada.
- ◆ Não mergulhe o aparelho em água.
- ◆ Não abra a estrutura do produto. Não existem peças para manipulação pelo utilizador no interior.
- ◆ Não utilize o equipamento em áreas com risco de explosão, nas quais se encontrem líquidos, gases ou poeiras inflamáveis.
- ◆ Para reduzir o risco de danos nas fichas e cabos, nunca puxe o cabo para remover a ficha de uma tomada.

Após a utilização

- ◆ Quando não for utilizado, o aparelho deve ser guardado num local seco e com boa ventilação, longe do alcance das crianças.
- ◆ As crianças não devem ter acesso aos aparelhos armazenados.
- ◆ Quando o aparelho for guardado ou transportado num veículo, deverá ser colocado na bagageira ou fixo de forma a evitar o movimento devido a alterações súbitas na velocidade ou direcção.
- ◆ O aparelho deverá estar protegido da luz solar directa, calor e humidade.

Inspeção e reparações

- ◆ Antes da utilização, verifique o aparelho quanto a peças danificadas ou avariadas. Verifique se há peças partidas, danos nos interruptores ou outro tipo de condições que possam afectar o seu funcionamento.
- ◆ Não utilize o aparelho se alguma das peças se encontrar danificada ou avariada.
- ◆ Mandar reparar ou substituir quaisquer peças danificadas ou avariadas por um agente de reparação autorizado.
- ◆ Nunca tente retirar ou substituir quaisquer peças que não as especificadas neste manual.

Instruções de segurança específicas para dispositivos de arranque

Os seguintes símbolos estão marcados no aparelho:



Interruptor ON/OFF (7), posição ON.



Interruptor ON/OFF (7), posição OFF.



Tomada acessória de 12 Vdc.



Indicador de polaridade inversa.

- ◆ Os veículos podem ter sistemas eléctricos e electrónicos (p. ex. sistema de gestão do motor, telemóvel) que podem ser danificados se forem submetidos a tensões de arranque elevadas e a picos de tensão. Antes de ligar o aparelho ao veículo, leia o manual de utilização do veículo para confirmar se é possível recorrer a um dispositivo externo de auxílio ao arranque.
- ◆ Siga as presentes instruções, bem como as publicadas pelo fabricante da bateria, fabricante do veículo ou fabricante de qualquer equipamento que pretenda utilizar com esta unidade. Consulte as etiquetas de aviso destes produtos e do veículo.
- ◆ Este aparelho não se destina a ser utilizado como substituto de uma bateria de automóvel. Não tente usar um veículo que não tenha uma bateria instalada.
- ◆ O aparelho só pode ser ligado a uma bateria de ácido-chumbo de 12 V. Não utilize o aparelho para carregar baterias de célula seca normalmente utilizadas nos electrodomésticos. Estas baterias podem explodir e causar ferimentos e danos materiais.
- ◆ Verifique a polaridade dos terminais da bateria do veículo antes de ligar o aparelho. Desligue sempre o cabo de arranque negativo (preto) primeiro; seguido pelo cabo de arranque positivo (vermelho).

- ◆ O interruptor ON/OFF deve estar na posição OFF antes de ligar a uma fonte de alimentação ou carga, quando a unidade está a carregar e quando não está a ser utilizada.
 - ◆ Nunca permita que os grampos vermelho e preto entrem em contacto entre si ou com outro condutor de metal comum. Isso poderia danificar o aparelho e/ou criar o risco de faísca/explosão. Quando terminar a sua utilização, arrume sempre os grampos da bateria nos encaixes integrados.
 - ◆ Quando utilizar esta unidade na proximidade da bateria e do motor do veículo, coloque-a sobre uma superfície plana e estável e certifique-se de que todos os grampos, cabos, peças de vestuário e partes do corpo não podem entrar em contacto com as peças móveis do veículo.
 - ◆ Este aparelho contém uma bateria de ácido-chumbo selada. É aconselhável que o aparelho seja colocado numa posição vertical durante a arrumação, utilização ou carregamento.
 - ◆ Durante o carregamento as baterias de ácido chumbo podem libertar gás explosivo e em condições extremas pode ocorrer uma fuga da bateria. Quando realizar um procedimento de arranque ou carregamento garanta uma boa ventilação da área.
 - ◆ Não utilize o conector de 12V se carregar o aparelho com o veículo ocupado. Garanta uma boa ventilação da área.
 - ◆ Para reduzir o risco de choque eléctrico, desligue o aparelho de qualquer fonte de alimentação antes de realizar uma operação de manutenção ou limpeza. O facto de desligar os controlos sem desligar o aparelho não basta para reduzir este risco.
 - ◆ A tomada de 12 Vdc destina-se estritamente a ser utilizada como tomada acessória, com uma saída máxima de 5 A. Nunca introduza o isqueiro do veículo na tomada acessória de 12 Vdc da unidade.
 - ◆ Antes de iniciar o procedimento de arranque, certifique-se de que o aparelho está desligado de todas as fontes de alimentação.
 - ◆ Nunca tente utilizar simultaneamente o carregador ac e a ligação de carga dc.
- ◆ Em condições extremas, pode ocorrer uma fuga nas pilhas. Se detectar a fuga de líquido das pilhas, limpe o líquido cuidadosamente com um pano. Evite o contacto com a pele.
 - ◆ Em caso de contacto com a pele ou com os olhos, siga as instruções seguintes.

Advertência! O fluido da pilha consiste num ácido sulfúrico diluído e pode causar lesões pessoais ou danos materiais. Em caso de contacto com a pele, enxágue imediatamente com água. Em caso de vermelhidão, dor ou irritação, contacte um médico. Em caso de contacto com os olhos, enxágue imediatamente com água limpa e contacte um médico imediatamente.

Carregadores

O seu carregador foi concebido para uma voltagem específica. Verifique sempre se a voltagem de alimentação corresponde à voltagem da placa informativa.

Advertência! Nunca tente substituir a unidade do carregador por uma tomada normal de alimentação.

Utilize o seu carregador Black & Decker apenas para carregar a pilha na ferramenta respectiva. As outras pilhas podem rebentar, provocando lesões pessoais e danos.

- ◆ Nunca tente carregar pilhas não recarregáveis.
- ◆ Substitua os cabos defeituosos imediatamente.
- ◆ Não exponha o carregador à água.
- ◆ Não abra o carregador.
- ◆ Não manipule o interior do carregador.

A pilha deve ser colocada numa área com boa ventilação durante o carregamento.

O carregador contém os seguintes símbolos de aviso:



A base de carga tem um isolamento duplo e, por isso, não é necessário um fio de terra.



Transformador de isolamento anti-falha. A alimentação está electricamente separada da saída do transformador.



O carregador desliga-se automaticamente se a temperatura se tornar demasiado elevada. Consequentemente o carregador fica inoperável. A base de carga deve ser desligada da alimentação e encaminhada para reparação num centro de serviço autorizado.



Apenas deverá ser feita uma utilização interior da base de carga.

Instruções de segurança adicionais para pilhas e carregadores

Pilhas

- ◆ Nunca, por motivo algum, tente abrir as pilhas.
- ◆ Não exponha a pilha à água.
- ◆ Não as armazene em locais onde a temperatura possa exceder os 40 °C.
- ◆ Carregue apenas a temperaturas ambiente entre 10 °C e 40 °C.
- ◆ Carregue apenas com os carregadores fornecidos com o aparelho.
- ◆ Quando eliminar as pilhas, siga as instruções da secção "Proteger o ambiente".

Segurança eléctrica



Esta ferramenta tem um isolamento duplo e, por isso, não é necessário um fio de terra. Verifique sempre se a fonte de alimentação corresponde à tensão indicada na placa de especificações.

- ◆ Se o cabo de alimentação for danificado, terá de ser substituído pelo fabricante ou por um centro de assistência autorizada Black & Decker para evitar acidentes.

Funções

Este aparelho inclui algumas ou todas as seguintes funções:

1. Cabos de arranque
2. Tomada de carga de 12 Vdc
3. Tomada acessória 12 Vdc
4. Botão do estado da bateria
5. Manípulo de transporte
6. LEDs do estado da bateria
7. Interruptor ON/OFF
8. Interruptor ON/OFF da luz de área de LED
9. Indicador de polaridade inversa
10. Luz de área de LED
11. Adaptador de carregamento de rede eléctrica
12. Adaptador de 12 Vdc do veículo
13. Grampos de cobre de alta resistência
14. Suportes para os grampos

UTILIZAÇÃO

Carregar a unidade (fig.A)

Esta unidade é fornecida num estado de carga parcial.

- ◆ Carregue a unidade antes de a utilizar pela primeira vez, usando o adaptador de carregamento da rede eléctrica (11) durante 48 horas.

As baterias de ácido-chumbo requerem uma manutenção de rotina para garantir uma carga completa e uma vida útil longa. Todas as baterias perdem energia por auto-descarga ao longo do tempo e com maior rapidez se a temperatura for elevada. Quando a unidade não estiver a ser utilizada, a Black & Decker recomenda o seu carregamento a intervalos mínimos de 60 dias.

- ◆ Verifique o nível de carga da bateria carregando no botão do estado da bateria (4). O indicador LED do estado de carga (6) indica o nível de carga da bateria. Quando estiver acesa apenas uma luz LED vermelha, carregue a unidade.

Nota: O carregamento da bateria após cada utilização prolonga a vida da bateria; as descargas fortes frequentes entre as cargas e/ou o carregamento excessivo diminuem a vida da bateria.

A bateria pode ser carregada utilizando o adaptador de carregamento da rede eléctrica (11) ou o adaptador de 12 Vdc do veículo (12).

Carregar a unidade com o carregador de rede eléctrica (fig. A)

Durante o carregamento da unidade, certifique-se de que o interruptor ON/OFF (7) e a luz de área de LED (10) estão desligados.

À medida que decorre o carregamento, as LED vermelhas acendem-se uma a uma.

- ◆ Carregue a unidade até se acenderem as luzes LED verdes.
- ◆ Continue o carregamento durante uma ou duas horas.

Nota: O carregador da rede eléctrica não deve estar ligado mais de 60 horas.

- ◆ Quando o carregamento estiver completo, desligue o adaptador de carregamento da rede eléctrica (11) e arrume-o num lugar seguro.

Carregar a unidade com o adaptador de 12 Vdc do veículo (fig. A)

Durante o carregamento da unidade, certifique-se de que o interruptor ON/OFF (7) e a luz de área de LED (10) estão desligados.

O adaptador de 12 Vdc do veículo (12) não dispõe de carga gradual.

Advertência! Durante o carregamento com o adaptador de 12 Vdc do veículo (12):

- ◆ Não deixe a carregar durante mais de 4 horas no máximo.
- ◆ Não deixe o aparelho sem vigilância.

Para carregar a unidade com o adaptador de 12 Vdc do veículo (12):

- ◆ Introduza uma extremidade do adaptador de 12 Vdc do veículo (12) numa tomada acessória de 12 Vdc do veículo ou barco.
- ◆ Introduza a outra extremidade do adaptador de 12 Vdc do veículo (12) na tomada acessória de 12 Vdc (3) na parte da frente da unidade.
- ◆ Para verificar o estado de carga da bateria durante o carregamento dc, desligue o adaptador de veículo de 12 Vdc da tomada acessória e pressione o botão de estado da bateria. Observe os LEDs de estado da bateria. Não deixe a carregar durante mais de 3 a 4 horas no máximo.
- ◆ Quando o carregamento estiver completo, retire o adaptador de 12 Vdc do veículo (12) e arrume-o num lugar seguro.

Utilizar a unidade como dispositivo de arranque (fig. A & B)

Nota: As baterias náuticas devem ser retiradas do barco e carregadas em terra. O carregamento a bordo requer equipamento especialmente destinado à utilização náutica.

- ◆ Desligue a ignição e todos os acessórios do veículo antes de fazer qualquer ligação.
- ◆ Certifique-se de que o interruptor ON/OFF da unidade (7) está desligado (OFF).
- ◆ O procedimento seguinte aplica-se a um sistema negativo de terra, isto é, em que o terminal negativo da bateria está ligado ao chassis.
- ◆ Ligue o grampo vermelho positivo (+) ao terminal positivo da bateria do veículo.

- ◆ Ligue o grampo preto negativo (-) ao chassis do veículo ou a um componente metálico sólido e fixo do veículo ou a uma peça do chassis.

Advertência! Certifique-se de que os cabos não entram em contacto com as correias ou a ventoinha do veículo.

- ◆ Rode o interruptor ON/OFF (7) da unidade para a posição ON.
- ◆ Ligue o motor de arranque do veículo e acelere o motor em séries de 3 a 6 segundos.

Se o motor não pegar em 6 segundos deixe a bateria interna da unidade arrefecer durante 3 minutos antes de repetir a tentativa.

- ◆ Quando o veículo pegar rode o interruptor ON/OFF (7) da unidade para a posição OFF.
- ◆ Deixe o motor do veículo a trabalhar.
- ◆ Desligue primeiro o grampo preto (-) ligado ao motor ou ao chassis, e depois o grampo vermelho (+) que está ligado ao terminal positivo (+) da bateria.
- ◆ Empurre com cuidado o cabo de arranque negativo (preto) para dentro do canal de arrumação começando pela extremidade mais afastada do grampo.
- ◆ Prenda o grampo negativo (preto) ao encaixe respectivo (14).
- ◆ Empurre com cuidado o cabo de arranque positivo (vermelho) para dentro do canal de arrumação começando pela extremidade mais afastada do grampo.
- ◆ Prenda o grampo positivo (vermelho) ao encaixe respectivo (14).
- ◆ Carregue a unidade assim que possível.

Utilizar a fonte portátil de alimentação de 12 Vdc (fig. A)

Esta fonte portátil de alimentação pode ser utilizada com todos os acessórios de 12 Vdc com uma ficha acessória com capacidade máxima de 5 amps.

Advertência! Não tente utilizar ou carregar a unidade quando a tomada acessória de 12 Vdc estiver a ser utilizada.

- ◆ Levante a tampa da tomada acessória de 12 Vdc (3).
- ◆ Introduza a ficha de 12 Vdc do aparelho na tomada acessória de 12 Vdc (3) na parte de cima da unidade.

Advertência! Não ultrapasse uma carga de 5 A.

- ◆ Ligue o aparelho e utilize-o normalmente.
- ◆ Regularmente carregue no botão do estado da bateria (4) para verificar o estado da bateria interna.

Advertência! Quando utilizar a tomada acessória de 12 Vdc da unidade (3), certifique-se de que o interruptor ON/OFF da unidade (7) está na posição OFF.

Advertência! Não utilize acessórios que consumam mais do que 5 amps.

Advertência! Nunca introduza um isqueiro na tomada acessória de 12 Vdc (3).

Utilizar a luz de área de LED (fig. A)

A luz de área de LED (10) funciona durante 114 horas com a carga completa. A vida útil da luz de área de LED é de 100.000 horas.

- ◆ Empurre o botão ON/OFF da luz de área de LED (8), que se encontra na parte de cima do painel da unidade, para ligar a luz de área de LED (10).
- ◆ Empurre o botão ON/OFF da luz de área de LED (8), que se encontra na parte de cima do painel da unidade, para desligar a luz de área de LED (10).

Certifique-se de que a luz de área de LED está desligada quando a unidade estiver a ser carregada ou quando está arrumada.

MANUTENÇÃO

A sua ferramenta Black & Decker foi concebida para funcionar por um longo período de tempo com uma manutenção mínima. Um funcionamento contínuo e satisfatório depende de uma manutenção adequada e da limpeza regular da ferramenta.

Advertência! Antes de executar qualquer manutenção ou limpeza no aparelho, desligue-o.

- ◆ De vez em quando, limpe o aparelho com um pano húmido. Não utilize nenhum produto de limpeza abrasivo ou à base de solvente. Não mergulhe o aparelho em água.

Substituição do fusível no cabo de alimentação DC de veículo

- ◆ Retire a protecção dourada, rodando-a no sentido oposto aos ponteiros do relógio.
- ◆ Retire a anilha de borracha, pino central e mola.
- ◆ Retire o fusível.
- ◆ Encaixe um novo fusível do mesmo tipo e tamanho (8 A).
- ◆ Instale o pino central, mola e anilha de borracha.
- ◆ Instale a protecção dourada, rodando-a no sentido dos ponteiros do relógio na ficha.

Protecção do ambiente



Se em algum momento verificar que é necessário substituir o aparelho ou que este deixou de ter utilidade, pense na protecção do ambiente.

Os agentes de reparação da Black & Decker aceitam ferramentas Black & Decker antigas e garantem que são eliminadas de uma forma segura em termos ambientais.



A recolha separada de produtos e embalagens usados permite que os materiais sejam reciclados e novamente utilizados. A reutilização de materiais reciclados ajuda a evitar a poluição ambiental e reduz a procura de matérias-primas.

A legislação local poderá prever a recolha separada de produtos domésticos eléctricos, seja em lixeiras municipais ou através do revendedor quando adquire um produto novo.

A Black & Decker dispõe de instalações para recolha e reciclagem de produtos Black & Decker quando estes atingem o fim da sua vida útil. Para usufruir deste serviço, devolva o produto em qualquer agente de reparação autorizado, que os recolherá em seu nome.

Pode verificar a localização do agente de reparação autorizado mais perto de si, contactando os escritórios locais da Black & Decker através do endereço indicado neste manual. Se preferir, pode encontrar na Internet uma lista de agentes de reparação autorizados Black & Decker, detalhes completos e contactos do serviço pós-venda, no endereço:

www.2helpU.com.



As pilhas Black & Decker podem ser recarregadas muitas vezes. Quando as pilhas chegarem ao fim da sua vida útil, elimine-as de forma segura para o ambiente:

- ◆ Não elimine as pilhas queimando-as, existe risco de explosão.
- ◆ As pilhas de ácido-chumbo (Pb) são recicláveis. Não podem ser deixadas fora juntamente com o lixo doméstico. Se não tiver acesso a uma solução de reciclagem de produtos, deverá remover a pilha tal como abaixo descrito, eliminando-a de acordo com os regulamentos locais.
- ◆ Não coloque os terminais da pilha em curto-circuito.
- ◆ Tenha em conta que a pilha é pesada.
- ◆ Se for possível, utilize o aparelho até esgotar a pilha completamente.

Consulte o diagrama ampliado na contracapa deste manual para informações sobre a remoção de pilhas.

Coloque a pilha numa embalagem adequada, certificando-se de que os terminais não entram em curto-circuito.

Leve a pilha ao seu agente de manutenção ou a uma estação de reciclagem local. As pilhas recolhidas serão recicladas ou eliminadas correctamente.

Dados técnicos

		BDV012
Pilha		12 V 19 Ah
	Tipo	ácido-chumbo selada
Saída (instântanea)	A	450
Saída (constante durante 5 segundos)	A	300
Peso	kg	7,1
Carregador da bateria		
Entrada	Vac	230
Tempo de carga aprox.	h	48
Peso	kg	0,2

Declaração de conformidade CE

BDV012

A Black & Decker declara que estes produtos estão em conformidade com:

Normas e legislação.

95/54/EC, 73/23/EEC, 89/336/EEC EN60335, EN55014, EN61000

Kevin Hewitt
 Director de Engenharia de
 Consumo
 Spennymoor, County Durham
 DL16 6JG,
 Reino Unido
 31-09-2006

Garantia

A Black & Decker confia na qualidade dos seus produtos e oferece uma garantia excelente. Esta declaração de garantia é um complemento dos seus direitos estabelecidos por lei, não os prejudicando de forma alguma. A garantia é válida nos territórios dos Estados Membros da União Europeia e da Associação Europeia de Comércio Livre.

Se um produto Black & Decker se avariar devido a defeitos de material, fabrico ou não conformidade, num período de 24 meses após a data da compra, a Black & Decker garante a substituição de peças defeituosas, a reparação de produtos sujeitos a um desgaste aceitável ou a substituição dos mesmos para garantir o mínimo de inconveniente ao cliente, excepto se:

- ◆ O produto tiver sido utilizado para fins comerciais, profissionais ou de aluguer.
- ◆ O produto tiver sido submetido a utilização indevida ou descuido.
- ◆ O produto tiver sido danificado por objectos estranhos, substâncias ou acidentes.

- ◆ Tiverem sido tentadas reparações por pessoas que não sejam agentes de reparação autorizados ou técnicos de manutenção da Black & Decker.

Para accionar a garantia, terá de apresentar comprovativos de compra ao vendedor ou a um agente de reparação autorizado. Pode verificar a localização do agente de reparação autorizado mais perto de si, contactando os escritórios locais da Black & Decker através do endereço indicado neste manual. Se preferir, pode encontrar na Internet uma lista de agentes de reparação autorizados Black & Decker, detalhes completos e contactos do serviço pós-venda, no endereço:

www.2helpU.com

Visite o nosso website **www.blackanddecker.eu** para registar o novo produto Black & Decker e manter-se actualizado sobre novos produtos e ofertas especiais.

Pode encontrar mais informações sobre a marca Black & Decker e sobre a nossa gama de produtos em

www.blackanddecker.eu.

Användningsområde

Black & Deckers startbatteri förser blybatterier med hjälpström vid motorstart och utgör dessutom en bärbar 12-volts likströmskälla. Produkten är endast avsedd som konsumentverktyg.

Säkerhetsinstruktioner

Varning! Vid användning av batteridrivna apparater ska grundläggande säkerhetsföreskrifter, inklusive följande föreskrifter, alltid följas. Detta för att förhindra brand, läckande batterier, personskador och materialskador.

- ◆ Läs den här bruksanvisningen noggrant innan du använder apparaten.
- ◆ Användningsområdet beskrivs i den här bruksanvisningen. Användning av andra tillbehör eller tillsatser eller om någon annan åtgärd utförs med apparaten än de som rekommenderas i den här bruksanvisningen kan leda till personliga skador.
- ◆ Behåll bruksanvisningen för framtida referens.

Använda apparaten

Var alltid försiktig när du använder apparaten.

- ◆ Apparaten är inte avsedd att användas av unga eller oerfarna personer utan övervakning.
- ◆ Apparaten ska inte användas som leksak.
- ◆ Använd den endast på torra ställen. Låt inte enheten bli våt.
- ◆ Doppa aldrig apparaten i vatten.
- ◆ Öppna inte höljet. Det finns inga delar som kan repareras inuti.
- ◆ Undvik explosionsrisk och använd inte apparaten i omgivningar med brandfarliga vätskor, gaser eller damm.
- ◆ Dra aldrig i sladden när du vill ta ut kontakten ur vägguttaget. Detta för att minska risken för skador på kontakter och sladdar.

Efter användning

- ◆ När den inte används bör apparaten förvaras på en torr plats med god ventilation utom räckhåll för barn.
- ◆ Placera apparaten på ett ställe där barn inte kan komma åt den.
- ◆ När apparaten förvaras eller transporteras i en bil, ska den placeras i bagageutrymmet eller spännas fast för att förhindra rörelse till följd av plötsliga ändringar i hastighet eller riktning.
- ◆ Apparaten bör skyddas från direkt solljus, värme och fukt.

Kontroll och reparationer

- ◆ Kontrollera att apparaten är hel och att den inte innehåller några skadade delar innan du använder den. Kontrollera att inga delar är trasiga, att strömbrytaren fungerar och att inget annat föreligger som kan påverka apparatens funktioner.

- ◆ Använd inte apparaten om någon del har skadats eller gått sönder.
- ◆ Reparera eller byt ut skadade eller trasiga delar på en auktoriserad verkstad.
- ◆ Försök aldrig ta bort eller byta ut andra delar än dem som anges i den här bruksanvisningen.

Särskilda säkerhetsinstruktioner för startbatterier

Apparaten är märkt med följande symboler:



Strömbrytare (7), ON-läge.



Strömbrytare (7), OFF-läge.



12 V DC tillbehörsuttag.



Indikator för polvändning.

- ◆ Fordon kan ha elektriska och elektroniska system (t.ex. motorstyrsystem, mobiltelefon) som kan skadas om de utsätts för hög startspänning och spänningstoppar. Innan du ansluter enheten till fordonet ska du i fordonshandboken kontrollera att externa hjälpströmkällor får användas.
- ◆ Följ dessa instruktioner och alla övriga instruktioner från batteritillverkaren, fordonstillverkaren och eventuella tillverkare av annan utrustning som du tänker använda med den här enheten. Läs varningsetiketterna på dessa produkter och fordonet.
- ◆ Denna apparat är inte avsedd att användas som ersättning för bilbatteri. Försök inte framföra ett fordon som saknar batteri.
- ◆ Apparaten får endast anslutas till ett 12-volts blybatteri. Använd inte apparaten till att ladda torrbatterier som vanligtvis används med hushållsapparater. Dessa batterier kan spricka och orsaka personskador och materiella skador.
- ◆ Kontrollera polariteten på fordonets batteripoler innan du ansluter apparaten. Dra alltid ur den negativa (svarta) hjälpstartskabeln först och sedan den positiva (röda) hjälpstartskabeln.
- ◆ Strömbrytaren ska vara i OFF-läge innan enheten ansluts till en kraftkälla eller belastning, när enheten laddas och när den inte används.
- ◆ Låt aldrig den röda och den svarta klämman komma i kontakt med varandra eller någon annan metallledare. Det kan skada apparaten och/eller leda till gnistbildning och förorsaka en explosion. Förvara alltid batteriklämmorna i det inbyggda hölstret när klämmorna inte används.

- ◆ När denna enhet används i närheten av fordonets batteri och motor ska enheten ställas på en plan och stadig yta. Se till att inga klämmor, sladdar, klädesplagg och kroppsdelar kommer i närheten av fordonets rörliga delar.
- ◆ Apparaten innehåller ett tätat blybatteri. Du rekommenderas att ställa apparaten i upprätt läge när du använder, förvarar och laddar den.
- ◆ Explosiv gas kan strömma från blybatterierna under laddning och under exceptionella förhållanden kan batteriet läcka. Säkerställ att lokalen är ordentligt ventilerad vid användning av startbatteriet och vid laddning.
- ◆ Ladda inte apparaten med 12-voltskontakten när fordonet används. Säkerställ att utrymmet är välventilerat.
- ◆ Minska risken för elstötar genom att koppla ur apparaten från strömkällan innan underhåll eller rengöring påbörjas. Risken minskar inte om reglagen ställs i OFF-läge om apparaten fortfarande är ansluten.
- ◆ 12-voltsuttaget får endast användas som tillbehörsuttag och högsta uteffekt är 5A. För aldrig in en bilcigarettändare i enhetens 12-volts likströmsuttag.
- ◆ Säkerställ att apparaten kopplats ur från alla strömkällor innan hjälpsstartsproceduren påbörjas.
- ◆ Försök inte använda växelströmsladdaren och likströmsanslutningen samtidigt.

Ytterligare säkerhetsinstruktioner för batterier och laddare

Batterier

- ◆ Försök aldrig att öppna batterierna.
- ◆ Utsätt inte batteriet för vatten.
- ◆ Förvara inte på platser där temperaturen kan bli högre än 40 °C.
- ◆ Ladda endast vid temperaturer mellan 10 °C och 40 °C.
- ◆ Ladda endast med hjälp av laddare som medföljer apparaten.
- ◆ Följ instruktionerna som anges i avsnittet "Miljö" när du kastar batterierna.
- ◆ Under extrema förhållanden kan batterierna läcka. Om det finns vätska på batterierna, ska du torka bort vätskan försiktigt med hjälp av en trasa. Undvik hudkontakt.
- ◆ Vid kontakt med hud eller ögon, följ instruktionerna nedan.

Varning! Batterivätskan är en utspädd svavelsyra och kan orsaka person- eller materialskador. Vid hudkontakt, skölj genast med vatten. Vid rodnader, smärta eller irritation ska läkare uppsökas. Vid kontakt med ögon, skölj genast med rent vatten, och uppsök genast läkare.

Laddare

Laddaren är avsedd för en viss spänning. Kontrollera alltid att nätspänningen överensstämmer med värdet på typskylten.

Varning! Försök aldrig byta ut kontakten till laddaren mot en vanlig kontakt.

Använd laddaren från Black & Decker endast för att ladda batteriet i den apparat som laddaren levererades med. Andra batterier kan spricka och orsaka personskador och andra skador.

- ◆ Försök aldrig att ladda ej uppladdningsbara batterier.
- ◆ Byt defekta sladdar genast.
- ◆ Utsätt inte laddaren för vatten.
- ◆ Öppna inte laddaren.
- ◆ Gör ingen åverkan på laddaren.

Batteriet ska placeras på en plats med god ventilation vid laddning.

Följande symboler finns på laddaren:



Eftersom laddaren är dubbelisolerad behövs ingen jordledare.



Helsäker isoleringstransformator. Elnätet är elektriskt avskilt från transformatorns uteffekt.



Laddaren stängs av automatiskt om temperaturen blir för hög. Den går då inte längre att använda. Laddaren måste kopplas från eluttaget och tas till en auktoriserad verkstad för reparation.



Laddaren är endast avsedd för användning inomhus.

Elektrisk säkerhet



Eftersom verktyget är dubbelisolerat behövs ingen jordledare. Kontrollera alltid att nätspänningen överensstämmer med värdet på typskylten.

- ◆ Om nätsladden är skadad måste den för undvikande av fara bytas ut av tillverkaren eller en auktoriserad Black & Decker-verkstad.

Funktioner

Denna apparat har några eller samtliga av följande funktioner:

1. Hjälpsstartkablar
2. 12 V DC-laddningsuttag
3. 12 V DC tillbehörsuttag
4. Tryckknapp för batteristatus
5. Bärhandtag
6. Lysdioder för batteristatus
7. Strömbrytare
8. Strömbrytare för lysdioder
9. Indikator för polvändning
10. Lysdioder
11. Huvudladdningsadapter
12. 12 V DC-fordonsadapter
13. Kraftiga kopparklämmor
14. Klämhållare

ANVÄNDNING

Ladda enheten (fig. A)

Denna enhet levereras i delvis laddat tillstånd.

- ◆ Ladda enheten före första användning med hjälp av huvudladdaren (11) i 48 timmar.

Blybatterier kräver rutinmässigt underhåll för att full laddning och lång batterianvändning ska kunna säkerställas. Alla batterier tappar med tiden energi genom självurladdning och i en snabbare takt vid höga temperaturer. Black & Decker rekommenderar att batteriet i enheten laddas minst var 60:e dag när enheten inte används.

- ◆ Kontrollera batteriladdningsnivån genom att trycka ned tryckknappen för batteristatus (4). Lysdioderna för laddningsstatus (6) indikerar batteriladdningsnivån. När endast en röd lysdiod lyser ska du ladda enheten.

Obs! Om du laddar batteriet efter varje användning håller batteriet längre. Kraftiga och återkommande urladdningar mellan laddningarna och/eller överladdning förkortar batteriets livslängd.

Batteriet kan laddas med hjälp av huvudladdningsadaptern (11) eller 12 V DC-fordonsadaptern (12).

Så här laddar du enheten med huvudladdaren (fig. A)

Säkerställ att strömbrytaren (7) och lysdioderna (10) är avslagna medan enheten laddas.

I takt med att laddningen fortskrider tänds de röda lysdioderna en efter en.

- ◆ Ladda enheten tills den gröna FULL-lysdioden lyser.
- ◆ Fortsätt ladda ytterligare en till två timmar.

Obs! Huvudladdaren ska inte vara ansluten i mer än 60 timmar.

- ◆ När enheten är färdigladdad kopplar du ur huvudladdningsadaptern (11) och ställer enheten i ett säkert utrymme.

Ladda enheten med 12 V DC-fordonsadaptern (fig. A)

Säkerställ att strömbrytaren (7) och lysdioderna (10) är avslagna medan enheten laddas.

12 V DC-fordonsadaptern (12) laddar inte med successivt lägre ström.

Varning! Följande gäller vid laddning med 12 V DC-fordonsadaptern (12):

- ◆ "Ladda i högst 4 timmar.
- ◆ "Lämna inte enheten utan uppsikt.

Så här laddar du enheten med 12 V DC-fordonsadaptern (12):

- ◆ För in ena änden av 12 V DC-fordonsadaptern (12) i ett 12 V DC-tillbehörsuttag på fordonet eller båten.
- ◆ För in andra änden av 12 V DC-fordonsadaptern (12) i 12 V DC-tillbehörsuttaget (3) på framsidan av enheten.
- ◆ Kontrollera batteriladdningsstatus under likströmladdning genom att koppla ur 12 V DC-fordonsadaptern från

tillbehörsuttaget och tryck på tryckknappen för batteristatus. Observera lysdioderna för batteristatus. Ladda i högst 3-4 timmar.

- ◆ När enheten är färdigladdad kopplar du ur 12 V DC-fordonsadaptern (12) och ställer enheten i ett säkert utrymme.

Så här använder du enheten som startbatteri (fig. A och B)

Obs! Ett marinbatteri måste avlägsnas från båten och laddas på land. Om batteriet ska laddas ombord måste utrustning som är särskilt anpassad för marina ändamål användas.

- ◆ Slå av fordonets tändning och alla tillbehör innan några anslutningar görs.
- ◆ Kontrollera att enhetens strömbrytare (7) är i läget OFF.
- ◆ Följande procedur gäller vid negativ jordning, dvs. när den negativa batteripolen kopplas till chassit.
- ◆ Koppla den positiva (+) röda klämman till fordonets positiva batteripol.
- ◆ Koppla den negativa (-) svarta klämman till fordonets chassi eller en kraftig metalldel på fordonet som inte rör sig eller en chassidel.

Varning! Säkerställ att kablarna inte är i vägen för remmar eller fläkt i rörelse.

- ◆ Ställ enhetens strömbrytare (7) i läget ON.
- ◆ Utför ett startförsök som varar 3 till 6 sekunder.

Om motorn inte startar inom 6 sekunder låter du enhetens inbyggda batteri svalna i 3 minuter innan du gör nästa försök.

- ◆ När motorn startar ställer du enhetens strömbrytare (7) i OFF-läget.
- ◆ Låt fordonets motor gå.
- ◆ Koppla loss den (-) svarta klämman som kopplats till motorn eller chassit först och därefter den (+) röda klämman som kopplats till batteriets positiva (+) pol.
- ◆ Tryck försiktigt in änden på den negativa (svarta) startbatterikabeln i förvaringskanalen (börja med den ände som är längst från klämman).
- ◆ Sätt fast den negativa (svarta) klämman på klämhållaren (14).
- ◆ Tryck försiktigt in änden på den positiva (röda) startbatterikabeln i förvaringskanalen (börja med den ände som är längst från klämman).
- ◆ Sätt fast den positiva (röda) klämman på klämhållaren (14).
- ◆ Ladda enheten så fort som möjligt.

Så här använder du den bärbara 12 V DC-kraftkällan (fig. A)

Denna bärbara strömkälla kan användas med alla 12 V DC-tillbehör som är utrustade med ett kontaktstift för tillbehörsuttag med märkström upp till 5 ampere.

Varning! Försök inte använda eller ladda enheten medan 12 V DC-tillbehörsuttaget (3) används.

- ◆ Lyft kåpan för 12 V DC-tillbehörsuttaget (3).
- ◆ För in 12 V DC-stiftet från den andra apparaten i 12 V DC-tillbehörsuttaget (3) ovanpå enheten.

Varning! Överskrid inte en belastning om 5 A.

- ◆ Slå på apparaten och använd den som vanligt.
- ◆ Kontrollera status på det inbyggda batteriet genom att med jämna mellanrum trycka på tryckknappen för batteristatus (4).

Varning! Kontrollera att enhetens strömbrytare (7) är i OFF-läge när du använder enhetens 12 V DC-tillbehörsuttag (3).

Varning! Använd inte apparater som drar över 5 ampere.

Varning! För aldrig in en cigarettändare i 12 V DC-tillbehörsuttaget (3).

Så här använder du lysdioderna (fig. A)

Lysdioderna (10) fungerar upp till 114 timmar på full laddning. Lysdiodernas driftstid är 100 000 timmar.

- ◆ Skjut strömknappen för lysdioderna (8) på övre panelen på enheten framåt när du vill slå på lysdioderna (10).
- ◆ Skjut tillbaka strömknappen för lysdioderna (8) på övre panelen på enheten när du vill slå av lysdioderna (10).

Kontrollera att lysdioderna är avslagna när enheten laddas eller förvaras.

UNDERHÅLL

Detta Black & Decker-verktyg har tillverkats för att fungera under lång tid med ett minimum av underhåll. Med rätt underhåll och regelbunden rengöring behåller verktyget sin prestanda.

Varning! Dra ut elsladden innan du utför underhåll på eller rengör apparaten.

- ◆ Torka av apparaten med en fuktig trasa ibland. Använd aldrig rengöringsmedel med lösnings- eller slipmedel. Doppa aldrig apparaten i vatten.

Borttagning av säkring i fordonets DC-sladd

- ◆ Ta bort guldlocket genom att vrida det moturs.
- ◆ Ta bort gummibrickan, och centruttappen och fjädern.
- ◆ Ta bort säkringen.
- ◆ Sätt dit en ny säkring av samma typ och storlek (8 A).
- ◆ Sätt dit centruttappen, fjädern och gummibrickan.
- ◆ Sätt dit guldlocket genom att vrida det medurs på kontakten.

Miljö



Tänk på miljön när du slänger apparaten. Släng den inte tillsammans med vanligt avfall. Black & Decker-verkstäder tar emot gamla Black & Decker-

verktyg och ser till att de omhändertas på ett miljövänligt sätt.



Insamling av uttjänta produkter och förpackningsmaterial gör att material kan återanvändas. Användning av återvunnet material minskar föroreningar av miljön och behovet av råmaterial.

Lokala föreskrifter kan kräva separat insamling av elprodukter från hushållen, vid kommunala insamlingsplatser eller hos återförsäljaren när du köper en ny produkt.

Black & Decker samlar in och återvinner uttjänta Black & Decker-produkter. Om du vill utnyttja denna tjänst återlämnar du produkten till en auktoriserad verkstad, som samlar in den för vår räkning.

För information om närmaste auktoriserade verkstad, kontakta det lokala Black & Decker-kontoret på den adress som är given i bruksanvisningen. En lista på alla auktoriserade verkstäder samt servicevillkor finns även tillgängliga på Internet: www.2helpU.com.



Batterier från Black & Decker kan laddas om många gånger. Kassera batterierna på ett miljövänligt sätt när de är förbrukade:

- ◆ Bränn inte batteriet eftersom det kan orsaka explosion.
- ◆ Bly(Pb)batterier kan återvinnas. De får inte kasseras med hushållsavfall. Om du inte har tillgång till en återvinningsstation, måste batteriet tas bort enligt nedan och kasseras enligt lokala bestämmelser.
- ◆ Kortslut inte batteriets poler.
- ◆ Tänk på att batteriet är tungt.
- ◆ Använd apparaten så att batteriet laddas ur helt om möjligt.

Se sprängkissen på baksidan av denna bruksanvisning för att underlätta borttagning av batterier.

Lägg batterierna i en lämplig förpackning så att det inte blir kortslutning mellan polerna.

Ta med batteriet till din verkstad eller en återvinningsstation. Insamlade batterier återvinnas eller kasseras korrekt.

Tekniska data

		BDV012
Batteri	Typ	12 V 19 Ah tätat blybatteri
Uteffekt (momentant)	A	450
Uteffekt (konstant i 5 sekunder)	A	300
Vikt	kg	7,1
Batteriladdare		
Inspänning	VAC	230
Laddningstid cirka	h	48
Vikt	kg	0,2

kontakta det lokala Black & Decker-kontoret på den adress som är angiven i bruksanvisningen. En lista på alla auktoriserade verkstäder samt servicevillkor finns även tillgängliga på Internet:

www.2helpU.com

Besök vår webbplats **www.blackanddecker.se** för att registrera din nya Black & Decker-produkt samt för att erhålla information om nya produkter och specialerbjudanden. Vidare information om märket Black & Decker och vårt produktsortiment finns på **www.blackanddecker.se**.

EC-förklaring om överensstämmelse

BDV012

Black & Decker förklarar att dessa produkter överensstämmer med:

Normer och lagstiftning.

95/54/EG, 73/23/EEG, 89/336/EEG EN60335, EN55014, EN61000



Kevin Hewitt
Director of Consumer Engineering
Spennymoor, County Durham
DL16 6JG,
Storbritannien
31-09-2006

Garanti

Black & Decker garanterar att produkten är fri från material-och/eller fabriktionsfel vid leverans till kund. Garantin gäller utöver konsumentens rättigheter enligt lag och påverkar inte dessa. Garantin gäller inom medlemsstaterna i Europeiska Unionen och i det Europeiska Frihandelsområdet.

Om en Black & Decker-produkt går sönder på grund av material- och/eller fabriktionsfel eller brister i överensstämmelse med specifikationen, inom 24 månader från köpet, åtar sig Black & Decker att reparera eller byta ut produkten med minsta besvär för kunden, förutom om:

- ◆ Produkten har använts i kommersiellt, yrkesmässigt eller uthyrningssyfte.
- ◆ Produkten har utsatts för felaktig användning eller skötsel.
- ◆ Produkten har skadats av främmande föremål, ämnen eller genom olyckshändelse.
- ◆ Reparation har utförts av någon annan än en auktoriserad Black & Decker-verkstad.

För att utnyttja garantin skall produkten och inköpskvittot lämnas till återförsäljaren eller till en auktoriserad verkstad senast 2 månader efter det att felet har upptäckts.

För information om närmaste auktoriserad verkstad,

Bruksområde

Din Black & Decker nødstarter er konstruert for å gi ekstra strøm til blybatterier ved start av bilmotorer, og for å stille til rådighet en bærbar 12 V DC strømkilde. Produktet er kun ment å brukes i private husholdninger/til privat forbruk.

Sikkerhetsinstrukser

Advarsel! Ved bruk av batteridrevne apparater må grunnleggende sikkerhetsforholdsregler, inkludert punktene som er beskrevet nedenfor, alltid følges for å redusere risikoen for brann, batterilekkasje, person- og materialskade.

- ◆ Les hele håndboken nøye før du bruker apparatet.
- ◆ Tiltent bruk er beskrevet i denne håndboken. Bruk av tilbehør eller utføring av oppgaver som ikke er anbefalt for apparatet i denne håndboken, kan medføre fare for personskaade.
- ◆ Oppbevar håndboken for fremtidig referanse.

Bruk av apparatet

Vær alltid forsiktig når du bruker apparatet.

- ◆ Dette apparatet skal ikke brukes av barn eller svakelige personer uten tilsyn.
- ◆ Apparatet skal ikke brukes som leketøy.
- ◆ Brukes bare i tørre omgivelser. Ikke la apparatet bli fuktig.
- ◆ Ikke senk apparatet ned i vann.
- ◆ Ikke åpne apparatet. Det er ingen deler inni som kan repareres av brukere.
- ◆ Ikke arbeid med apparatet i eksplosjonsfarlige omgivelser, som for eksempel der det befinner seg brennbare væsker, gass eller støv.
- ◆ Dra aldri i kablet når du skal ta støpselet ut av stikkkontakten. Da risikerer du å skade både den og støpselet.

Etter bruk

- ◆ Når apparatet ikke er i bruk, skal det oppbevares på et tørt og luftigt sted utenfor barns rekkevidde.
- ◆ Barn skal ikke ha tilgang til apparater som ikke er i bruk.
- ◆ Når apparatet oppbevares eller transporteres i et kjøretøy, bør det plasseres i bagasjerommet eller låses, slik at det ikke påvirkes av raske farts- eller retningsendringer.
- ◆ Apparatet må beskyttes mot direkte sollys, varme og fuktighet.

Kontroll og reparasjon

- ◆ Kontroller at apparatet ikke er skadet eller har defekte deler før du bruker det. Kontroller om noen av delene har sprekker, om bryterne er skadet eller om det er andre forhold som kan ha innvirkning på driften.
- ◆ Ikke bruk apparatet hvis det har skadde eller defekte deler.
- ◆ Overlat reparasjon eller utskifting av skadde eller defekte deler til et autorisert serviceverksted.
- ◆ Forsøk aldri å fjerne eller skifte ut andre deler enn de som er oppgitt i denne håndboken.

Spesielle sikkerhetsinstrukser for nødstartere

Apparatet er merket med følgende symboler:



PÅ/AV-bryter (7), PÅ-stilling



PÅ/AV-bryter (7), AV-stilling



12 V DC-uttak.



Indikator for omvendt polaritet.

- ◆ Kjøretøyer kan ha elektriske og elektroniske systemer (f.eks. motorstyringsystem, mobiltelefon) som kan bli skadet dersom de utsettes for høy startspenning og spenningstopper. Før du kople apparatet til kjøretøyet, må du lese brukerhåndboken for kjøretøyet for å sjekke at ekstern starthjelp er tillatt.
- ◆ Følg disse instruksene og instruksene fra batteriproduzenten, kjøretøysproduzenten og produsenten av annet utstyr som du tenker å bruke sammen med denne enheten. Les gjennom etikettene med advarsler på disse produktene og på kjøretøyet.
- ◆ Dette apparatet er ikke konstruert for å erstatte et bilbatteri. Ikke prøv å bruke et kjøretøy uten montert batteri.
- ◆ Apparatet må bare koples til et 12 V blybatteri. Ikke bruk apparatet for å lade tørbatterier som vanligvis brukes i apparater til hjemmebruk. Disse batteriene kan eksplodere og føre til personskaader og materielle skader.
- ◆ Kontroller polariteten til kjøretøyetts batteriklemmer før du kople til apparatet. Kople alltid til nødstarterens minuskabel (svart) først. Deretter kople du til nødstarterens plusskabel (rød).
- ◆ PÅ/AV-bryteren skal stå i AV-stilling før du kople apparatet til en strømkilde eller last, når enheten lader og når den ikke er i bruk.
- ◆ Du må aldri la de røde og svarte klemmene berøre hverandre eller en annen felles metallleder. Det kan føre til skader på apparatet og/eller fare for gnister/eksplosjon. Batteriklemmene skal alltid lagres i de innebygde hylstrene når de ikke er i bruk.
- ◆ Når du bruker denne enheten i nærheten av kjøretøyetts batteri og motor, må du plassere enheten på et flatt, stabilt underlag og kontrollere at alle klemmer, ledninger, klær og kroppsdelar holdes på avstand fra kjøretøyetts bevegelige deler.
- ◆ Dette apparatet inneholder et tett blybatteri. Det anbefales å plassere apparatet i stående stilling under lagring, bruk og opplading.
- ◆ Det kan komme eksplosiv gass ut av blybatterier under lading, og under ekstreme forhold kan det oppstå batterilekkasje. Sørg for at området er godt ventilert når du utfører nødstart og lading.

- ◆ Ikke lad apparatet med 12 V-kontakten når det sitter personer i kjøretøyet. Sørg for at området er godt ventilert.
- ◆ For å redusere risikoen for elektrisk støt må du kople apparatet fra enhver strømkilde før du vedlikeholder eller rengjør det. Risikoen reduseres ikke ved at bryterne slås av uten at apparatet koples fra strømmen.
- ◆ 12 V DC-uttaket skal kun brukes som hjelpeuttak, maks. utgangseffekt er 5 A. Du må aldri plugge kjøretøyets sigarettenner til enhetens 12 V DC-uttak.
- ◆ Pass på at apparatet koples fra alle ladestrømkilder før du begynner nødstartingen.
- ◆ Du må aldri prøve å bruke AC- og DC-ladekontakten samtidig.

Ytterligere sikkerhetsinstruksjoner for batterier og ladere

Batterier

- ◆ Forsøk ikke å åpne uansett hvilket formål du måtte ha.
- ◆ Ikke utsett batteriet for vann.
- ◆ Oppbevar ikke på steder der temperaturen kan overskride 40 °C.
- ◆ Lad bare ved temperaturer mellom 10 °C og 40 °C.
- ◆ Bruk bare ladere av typen som følger med apparatet.
- ◆ Følg instruksene som finnes i avsnittet "Miljø" når du skal kaste batterier.
- ◆ Under ekstreme forhold kan batterilekkasje forekomme. Hvis du oppdager væske på batteriene, tørker du den forsiktig av med en klut. Unngå kontakt med huden.
- ◆ Hvis væsken kommer i kontakt med huden eller øynene, følger du instruksjonene nedenfor.

Advarsel! Batterivæsken er fortennet svovelsyre og kan føre til person- eller materialskada. Ved hudkontakt renser du umiddelbart med vann. Hvis huden blir rød eller irritert eller smerter inntreffer, søk øyeblikkelig medisinsk hjelp. Hvis væsken kommer i kontakt med øynene, rens umiddelbart med vann og søk øyeblikkelig medisinsk hjelp.

Ladere

Ladere er konstruert for en bestemt spenning. Kontroller alltid at nettspenningen er i overensstemmelse med spenningen på typeskiltet.

Advarsel! Prøv aldri å skifte ut laderen med en vanlig nettplugg.

Bruk bare Black & Decker-ladere til å lade batteriet i apparatet som laderen kom sammen med. Andre batterier kan bryte og føre til personlig skade.

- ◆ Prøv aldri å lade ikke-oppladbare batterier.
- ◆ Skift ut defekte ledninger umiddelbart.
- ◆ Ikke utsett laderen for vann.
- ◆ Ikke åpne laderen.
- ◆ Ikke stikk gjenstander eller fingre ned i laderen.

Batteriet må plasseres på et sted med god gjennomlufting når det lades.

Du finner følgende symboler på laderen:



Dette ladeenheten er dobbeltisolert. Jording er derfor ikke nødvendig.



Feilsikker skilletransformator. Nettstrømtilførselen er elektrisk skilt fra transformatorutgangen.



Ladere slår seg av automatisk hvis temperaturen i omgivelsene blir for høy. Som følge av dette vil ikke laderen virke. Ladeenheten må kobles fra strømforsyningen og repareres på et autorisert serviceverksted.



Ladeenheten er bare tiltenkt for bruk innendørs.

Elektrisk sikkerhet



Dette apparatet er dobbeltisolert. Jording er derfor ikke nødvendig. Kontroller at spenningen er i overensstemmelse med spenningen på typeskiltet.

- ◆ Hvis strømledningen blir skadet, må den skiftes av produsenten eller et autorisert Black & Decker-servicesenter for å unngå fare.

Funksjoner

Dette apparatet inneholder noen av eller alle funksjonene nedenfor:

1. Nødstarterkabler
2. 12 V DC ladesokkel
3. 12 V DC-uttak
4. Batteristatusknapp
5. Bærehåndtak
6. Indikatorer for batteristatus
7. PÅ/AV-bryter
8. På/av-bryter for lys i indikatorområdet
9. Indikator for omvendt polaritet
10. Lys i indikatorområde
11. Ladeadapter
12. 12 V DC-adapter for bil
13. Ekstra kraftige kobberklemmer
14. Klemmeholdere

BRUK

Lade opp enheten (figur A)

Denne enheten ble levert i delvis oppladet tilstand.

- ◆ Lad enheten i 48 timer med ladeadapteren (11) før første gangs bruk.

Blybatterier krever regelmessig vedlikehold for å sikre full kapasitet og lang levetid. Alle batterier taper strøm gjennom selvutlading over tid, og dette skjer raskere ved høye temperaturer. Black & Decker anbefaler å lade batteriet hver 60. dag når enheten ikke er i bruk.

- ◆ Kontroller batteriets oppladningsnivå ved å trykke på batteristatusknappen (4). Ladeindikatorens display (6) vil vise batteriets oppladningsnivå. Lad enheten når bare en rød LED lyser.

Merk: Dersom batteriet lades etter hver bruk, forlenges batteriets levetid; hyppige dype utladninger mellom oppladingene, og/eller overlading vil redusere batteriets levetid.

Batteriet kan lades med ladeadapteren (11) eller 12 V DC-adapteren for bil (12).

Lading av enheten med laderen (fig. A)

Kontroller at PÅ/AV-bryteren (7) og lyset for indikatorområdet (10) er slått av mens enheten lades.

Ettersom ladingen skrider frem, vil de røde indikatorene tennes en etter en.

- ◆ Lad enheten til den grønne FULLT-indikatoren lyser.
- ◆ Fortsett å lade i ytterligere én til to timer.

Merk: Ladeadapteren bør ikke være tilkoppelt i mer enn 60 timer.

- ◆ Når ladingen er avsluttet, kople fra ladeadapteren (11) og oppbevar den på et trygt sted.

Lading av enheten med 12 V DC-adapteren for bil (fig. A)

Kontroller at PÅ/AV-bryteren (7) og lyset for indikatorområdet (10) er slått av mens enheten lades.

12 V DC-adapteren for bil (12) har ikke en avtakende lading.

Advarsel! Når du lader med 12 V DC-adapteren for bil (12):

- ◆ "Ikke lad lenger enn i maks. 4 timer.
- ◆ "Ikke la apparatet være uten tilsyn.

Når du lader enheten med 12 V DC-adapteren for bil (12):

- ◆ Plugg den ene enden av 12 V DC-adapteren for bil (12) inn i et 12 V DC-hjelpeuttak på bilen eller båten.
- ◆ Plugg den andre enden av 12 V DC-adapteren for bil (12) inn i 12 V DC-hjelpeuttaket (3) på forsiden av enheten.
- ◆ Du kan sjekke statusen for batteriladingen ved å koble 12 V DC-biladapteren fra uttaket og trykke på batteristatusknappen. Se indikatoren for batteristatus. Ikke lad lenger enn i maks. 3 til 4 timer.
- ◆ Når ladingen er avsluttet, kople fra 12 V DC-adapteren for bil (12) og oppbevar den på et trygt sted.

Bruk av enheten som nødstarter (fig. A og B)

Merk: Et båt-batteri må tas ut av båten og lades på land. Hvis batteriet skal lades om bord, kreves det utstyr som er konstruert spesielt for bruk på sjøen.

- ◆ Slå av tenningen i kjøretøyet og alt tilbehør før du foretar noen tilkoplinger.
- ◆ Kontroller at enhetens PÅ/AV-bryter (7) er slått AV.
- ◆ Prosedyren under er beregnet på et negativt jordsystem, dvs. at batteriets minusklemme er koplet til chassiset.
- ◆ Kople den røde plussklemmen (+) til plussterminalen på bilbatteriet.

- ◆ Kople den svarte minusklemmen (-) til kjøretøyet chassis eller til en massiv, ubevegelig metallkomponent eller chassisdel på kjøretøyet.

Advarsel! Pass på at kablene ikke er i veien for banen til belter eller vifte i bevegelse.

- ◆ Sett enhetens PÅ/AV-bryter (7) i PÅ-stilling.
- ◆ Start kjøretøyet og la motoren dreie i omganger på 3 til 6 sekunder.

Starter ikke motoren innen 6 sekunder, må du la enhetens innebygde batteri avkjøles i 3 minutter før du gjør et nytt forsøk.

- ◆ Sett enhetens PÅ/AV-bryter (7) i AV-stilling når kjøretøyet starter.
- ◆ La kjøretøyet motor være i gang.
- ◆ Kople først fra den svarte (-) klemmen som var forbundet med motoren eller chassiset, og deretter den røde (+) klemmen som var forbundet med plussterminalen (+) på batteriet.
- ◆ Press minus-startkabelen (svart) forsiktig inn i oppbevaringskanalen igjen. Begynn i den enden som er lengst borte fra klemmen.
- ◆ Klem minusklemmen (svart) inn i klemmeholderen (14).
- ◆ Press pluss-startkabelen (rød) forsiktig inn i oppbevaringskanalen igjen. Begynn i den enden som er lengst borte fra klemmen.
- ◆ Klem plussklemmen (rød) inn i klemmeholderen (14).
- ◆ Lad enheten så snart som mulig.

Bruk av 12 V DC bærbar strømforsyning (fig. A)

Denne bærbare strømforsyningen kan brukes med alt 12 V DC-tilbehør som er utstyrt med hannplugg for hjelpeuttak normert for inntil 5 A.

Advarsel! Ikke prøv å bruke eller lade enheten mens 12 V DC-hjelpeuttaket (3) er i bruk.

- ◆ Løft opp dekslet til 12 V DC-uttaket (3).
- ◆ Før 12 V DC-pluggen fra apparatet inn i 12 V DC-uttaket (3) øverst på enheten.

Advarsel! Ikke overskrid en belastning på 5 A.

- ◆ Slå apparatet på og betjen det som vanlig.
- ◆ Trykk med jevne mellomrom på batteristatusknappen (4) for å sjekke status til det innebygde batteriet.

Advarsel! Pass på at enhetens PÅ/AV-bryter (7) er i AV-stilling når du bruker enhetens 12 V DC-uttak (3).

Advarsel! Ikke bruk apparater som trekker mer enn 5 A.

Advarsel! Sett aldri en sigarettenner inn i 12 V DC-uttaket (3).

Bruke lyset i indikatorområdet (figur A)

Lyset i indikatorområdet (10) vil fungere i inntil 114 timer når batteriet er fullt oppladet. Levetiden for lyset i indikatorområdet er 100.000 timer.

- ◆ Skyv på/av-knappen (8) for lyset i indikatorområdet på enhetens øvre panel for å slå lyset i indikatorområdet (10) på.

- ◆ Skyv på/av-knappen (8) for lyset i indikatorområdet på enhetens øvre panel for å slå lyset i indikatorområdet (10) av.

Kontroller at lyset i indikatorområdet er slått av når enheten lagres eller oppbevares.

VEDLIKEHOLD

Black & Decker-verktøyet ditt er konstruert for å være i drift over lengre tid med et minimum av vedlikehold. Det er avhengig av godt vedlikehold og regelmessig rengjøring for å fungere som det skal til enhver tid.

Advarsel! Før du utfører noe vedlikehold på eller rengjøring av apparatet, må du koble fra strømmen.

- ◆ Av og til kan du tørke av apparatet med en fuktig klut. Ikke bruk slipende eller løsemiddelbaserte rengjøringsmidler. Ikke senk apparatet ned i vann.

Skitte ut sikringen i DC-ladeadapteren for bil

- ◆ Fjern dekselet ved å skru det mot klokken.
- ◆ Fjern gummiringen, pinnen og fjæren.
- ◆ Ta ut sikringen.
- ◆ Sett inn en ny sikring av samme type og i samme størrelse (8 A).
- ◆ Sett på plass pinnen, fjæren og gummiringen.
- ◆ Sett på dekselet ved å skru det med klokken.

Miljø



Når apparatet er utslitt, bør det kasserer på en miljøvennlig måte. Black & Decker-serviceverkstedene tar i mot gamle Black & Decker-verktøy og kasserer dem på en miljømessig forsvarlig måte.



Hvis brukte produkter og emballasje leveres atskilt, kan materialer resirkuleres og brukes på nytt. Resirkulering av brukte produkter gir redusert miljøforurensing og mindre behov for råmaterialer.

Det kan være lokale bestemmelser for egen innsamling av elektriske produkter fra husstander, på kommunale avfallsplasser eller hos forhandleren når du kjøper et nytt produkt.

Black & Decker tar i mot brukte Black & Decker-produkter for resirkulering. Du kan levere produktet til et autorisert serviceverksted.

For informasjon om nærmeste autoriserte serviceverksted, kontakt ditt lokale Black & Decker-kontor på den adressen som er angitt i bruksanvisningen. Det finnes også en liste over autoriserte Black & Decker-serviceverksteder og opplysninger om ettersalgsservice og kontakter på Internett:

www.2helpU.com.



Black & Decker-batterier kan lades opp mange ganger. Tenk på miljøet når batteriene er tomme og du skal kaste dem.

- ◆ Ikke kast batteriet på ild. Dette kan føre til en eksplosjon.
- ◆ Blybatterier (Pb) kan gjenvinnes. De må ikke kastes sammen med vanlig restavfall. Hvis du ikke har tilgang til en returordning, må batteriet fjernes som beskrevet nedenfor og kastes i overensstemmelse med lokale bestemmelser.
- ◆ Ikke kortslutt batteripolene.
- ◆ Vær oppmerksom på at batteriet er tungt.
- ◆ La om mulig apparatet stå på til batteriet er helt utladet.

Se diagrammet på baksiden av denne brukerhåndboken for å få hjelp til å fjerne batteriene.

Legg batteriet i egnet emballasje for å sikre at polene ikke kortslutter.

Lever batteriet til et serviceverksted eller en lokal spesialavfallsstasjon. Innleverte batterier vil bli gjenfunnet eller kastet på riktig måte.

Tekniske data

		BDV012
Batteri	Type	12 V 19 Ah tett blybatteri
Utgangseffekt (momentan)	A	450
Utgangseffekt (konstant i 5 sekunder)	A	300
Vekt	kg	7.1
Batterilader		
Tilførsel	V AC	230
Omtrentlig ladetid	t	48
Vekt	kg	0.2

Samsvarserklæring for EU

BDV012

Black & Decker erklærer at disse produktene overholder:

Standarder og lovreguleringer

95/54/EF, 73/23/EØF, 89/336/EØF EN60335, EN55014,

EN61000

Kevin Hewitt

Direktør for forbrukerteknikk

Spennymoor, County Durham

DL16 6JG,

Storbritannia

31-09-2006

Garanti

Black & Decker er trygg på kvaliteten til sine produkter og tilbyr en enestående garanti. Denne garantierklæringen komme i tillegg til dine lovbestemte rettigheter, og er ikke i

konflikt med disse. Garantien er gyldig i EU- og EFTA-medlemsstatene.

Hvis et Black & Decker-produkt går i stykker på grunn av material- og/eller fabrikasjonsfeil eller har mangler i forhold til spesifikasjonene, innen 24 måneder fra kjøpet, påtar Black & Decker seg å skifte ut defekte deler, reparere produkter som har vært utsatt for alminnelig slitasje, eller bytte ut slike produkter med minst mulig vanskelighet for kunden, med mindre:

- ◆ produktet har vært brukt i yrkes-/næringsvirksomhet eller til utleie.
- ◆ produktet har vært utsatt for feilaktig bruk eller mislighold.
- ◆ produktet har blitt skadet av fremmede gjenstander eller stoffer eller ved et uhell.
- ◆ reparasjoner er forsøkt utført av andre enn autoriserte serviceverksteder eller Black & Deckers serviceteknikere.

For å ta garantien i bruk skal produktet og kjøpekvittring leveres til forhandleren eller til et autorisert serviceverksted.

For informasjon om nærmeste autoriserte serviceverksted, kontakt ditt lokale Black & Decker-kontor på den adressen som er angitt i bruksanvisningen. En oversikt over autoriserte serviceverksteder og opplysninger om ettersalgsservice og kontakter er også tilgjengelig på Internett:

www.2helpU.com

Besøk vårt webområde **www.blackanddecker.no** for å registrere ditt nye Black & Decker-produkt og for å holde deg oppdatert om nye produkter og spesialtilbud. Du finner mer informasjon om Black & Decker og produktutvalget vårt på **www.blackanddecker.no**.

Anvendelsesområde

Denne Black & Decker jump-starter er beregnet til at give blybatterier ekstra styrke ved start af bilmotorer og til at fungere som en 12 V-jævnstrømskilde. Dette produkt er kun beregnet til privat brug.

Sikkerhedsvejledninger

Advarsel! Ved brug af batteridrevne apparater er det vigtigt, at grundlæggende sikkerhedsforholdsregler, herunder bl.a. nedenstående, altid følges for at mindske risikoen for brand, lækkende batterier, personskade og tingsskade.

- ◆ Læs hele denne vejledning omhyggeligt, før du bruger apparatet.
- ◆ Apparatets påtænkte anvendelse fremgår af vejledningen. Brugen af ekstraudstyr eller tilbehør eller udførelse af opgaver med apparatet ud over de i brugervejledningen anbefalede kan medføre risiko for personskade.
- ◆ Opbevar denne vejledning til fremtidig brug.

Brug af apparatet

Vær altid opmærksom ved brugen af apparatet.

- ◆ Dette apparat må ikke bruges af unge eller svagelige personer uden opsyn.
- ◆ Apparatet må ikke bruges som legetøj.
- ◆ Apparatet må kun bruges på tørre steder. Lad ikke apparatet blive vådt.
- ◆ Apparatet må ikke nedsænkes i væsker.
- ◆ Lampehuset må ikke åbnes. Der er ingen dele inde i lampen, som kan serviceres af brugeren.
- ◆ Brug ikke apparatet i eksplosionstruede omgivelser, f.eks. hvor der er brændbare væsker, gasser eller støv.
- ◆ For at reducere risikoen for beskadigelse af stik og ledninger, må du aldrig trække i ledningen for at tage stikket ud af en stikkontakt.

Efter brug

- ◆ Når apparatet ikke er i brug, skal det opbevares på et tørt sted med god ventilation, hvor det er utilgængeligt for børn.
- ◆ Børn må ikke have adgang til opbevarede apparater.
- ◆ Når apparatet opbevares eller transporteres i et køretøj, skal det anbringes i bagagerummet eller fastgøres for at forhindre bevægelse som følge af pludselige ændringer i hastighed eller retning.
- ◆ Apparatet skal beskyttes mod direkte sollys, varme og fugt.

Eftersyn og reparationer

- ◆ Før brug skal apparatet kontrolleres for beskadigede eller defekte dele. Se efter knækkede dele, skader på kontakter og eventuelle andre tilstande, der kan påvirke apparatets drift.
- ◆ Brug ikke apparatet, hvis nogen del af det er beskadiget eller defekt.

- ◆ Sørg for at få beskadigede eller defekte dele repareret eller udskiftet på et autoriseret værksted.
- ◆ Forsøg aldrig at fjerne eller udskifte dele ud over dem, der er beskrevet i denne vejledning.

Specifikke sikkerhedsinstruktioner til jump-startere

Følgende symboler er anbragt på apparatet.



Afbryder (7), TÆNDT position.



Afbryder (7), SLUKKET position.



12 V DC-udtag til tilbehør.



Indikator for omvendt polaritet.

- ◆ Der kan være elektriske og elektroniske systemer i køretøjer (f.eks. et motorstyringssystem eller en mobiltelefon), som kan blive beskadiget, hvis de udsættes for høje start- og spidsspændinger. Læs instruktionsbogen til køretøjet for at kontrollere, om eksternt starthjælp er tilladt, inden du slutter apparatet til køretøjet.
- ◆ Følg disse instruktioner og instruktionerne fra producenten af batteriet, køretøjet og evt. udstyr, du har til hensigt at anvende sammen med denne enhed. Gennemgå advarsletiketterne på disse produkter og på køretøjet.
- ◆ Dette apparat er ikke beregnet til brug som en erstatning for køretøjets batteri. Forsøg ikke at anvende det til et køretøj, hvor der ikke i forvejen er installeret et batteri.
- ◆ Apparatet må kun tilsluttes et 12 V-blybatteri. Brug ikke apparatet til opladning af tørrellebatterier, der ofte anvendes i husholdningsapparater. Disse batterier kan eksplodere og anrette skade på personer og ejendom.
- ◆ Kontroller polariteten på køretøjets batteriterminaler, inden apparatet tilsluttes. Kobl altid først det negative (sorte) startkabel fra, efterfulgt af det positive (røde) startkabel.
- ◆ Når enheden oplader og ikke er i brug, skal afbryderen stå på SLUKKET inden tilslutning til en strømkilde eller belastning.
- ◆ Lad aldrig den røde og sorte klemme berøre hinanden eller en anden, fælles metalleder. Det kan forårsage skader på apparatet og/eller gnistdannelse/eksplosionsfare. Opbevar altid batteriklemmerne i de indbyggede hylstre, når de ikke er i brug.
- ◆ Stå på en plan, stabil overflade, og hold klemmer, ledninger, tøj og krop dele på afstand af køretøjets bevægelige dele, når denne enhed anvendes i nærheden af køretøjets batteri og motor.

- ◆ Dette apparat indeholder et forseglet blybatteri. Det anbefales, at apparatet placeres opretstående under opbevaring, brug og opladning.
- ◆ Der kan trænge eksplosiv gas ud af blybatterier under opladning, og under ekstreme forhold kan der opstå batterilækage. Sørg for grundig udluftning ved jump-start og under opladning.
- ◆ Oplad ikke apparatet med 12 V-stikket, mens der er personer i køretøjet. Sørg for grundig udluftning.
- ◆ For at reducere risikoen for elektrisk stød skal apparatet kobles fra alle strømkilder, inden der gøres forsøg på vedligeholdelse og rengøring. Risikoen reduceres ikke ved blot at slukke apparatet uden at koble det fra.
- ◆ 12 V DC-udtaget må kun benyttes som udtag til tilbehør. Det har en maksimal udgangseffekt på 5 A. Sæt aldrig køretøjets cigarettænder i enhedens 12 V DC-tilbehørsudtag.
- ◆ Kontroller, at apparatet er koblet fra alle opladningskilder, inden der foretages jump-start.
- ◆ Forsøg aldrig at bruge jævnstrømsopladeren og vekselstrømsopladeren samtidigt.

Yderligere sikkerhedsvejledninger for batterier og ladere

Batterier

- ◆ Forsøg aldrig at åbne uanset årsag.
- ◆ Batteriet må ikke udsættes for fugt.
- ◆ Opbevar ikke på steder, hvor temperaturen kan overstige 40 °C.
- ◆ Fortag kun opladning ved omgivelsestemperaturer mellem 10 °C og 40 °C.
- ◆ Brug kun de opladere, der fulgte med apparatet, til opladning.
- ◆ Følg ved bortskaffelse af batterier vejledningen i afsnittet "Miljø".
- ◆ Under ekstreme forhold kan der forekomme batterilækage. Når du bemærker væske på batterierne, skal du omhyggeligt tørre væsken af med en klud. Undgå kontakt med huden.
- ◆ I tilfælde af kontakt med hud eller øjne, skal du følge nedenstående instrukser.

Advarsel! Batterivæsken er en fortyndet svovlsyre, der kan forårsage personskade eller materielle skader. I tilfælde af kontakt med huden skylles straks med vand. Hvis der opstår rødme, smerte eller irritation, skal der søges læge. I tilfælde af kontakt med øjnene skylles straks med rent vand, og der søges straks læge.

Ladere

Ladere er udviklet til en specifik spænding. Kontrollér altid, at netspændingen svarer til spændingen på typeskiltet.

Advarsel! Forsøg aldrig at erstatte laderenheden med et almindeligt netstik.

Brug kun din Black & Decker-lader til at oplade batteriet i det værktøj, som den blev leveret sammen med. Andre batterier kan sprænges og forårsage personskade og materielle skader.

- ◆ Prøv aldrig på at oplade ikke-opladelige batterier.
- ◆ Udskift straks defekte ledninger.
- ◆ Laderen må ikke udsættes for fugt.
- ◆ Laderen må ikke åbnes.
- ◆ Undersøg ikke laderen.

Batteriet skal anbringes et sted med god udluftning, når det oplades.

Ladere er forsynet med følgende advarselssymboler:



Laderens basisenhed er dobbelt isoleret. Derfor er jordledning ikke nødvendig.



Fejlsikker skilletransformer. Netforsyningen er elektrisk adskilt fra transformerudgangen.



Ladere slår automatisk fra, hvis omgivelsestemperaturen bliver for høj. Som følge deraf holder laderen op med at fungere. Laderens basisenhed skal afbrydes fra netforsyningen og indleveres til reparation på et autoriseret værksted.



Laderens basisenhed er kun beregnet til indendørs brug.

Elektricitet og sikkerhed



Denne maskine er dobbelt isoleret. Derfor er jordledning ikke nødvendig. Kontrollér altid, at strømforsyningen svarer til spændingen på typeskiltet.

- ◆ Hvis netledningen beskadiges, skal den udskiftes af producenten eller et autoriseret Black & Decker-værksted, så farlige situationer undgås.

Funktioner

Dette apparat leveres med nogle af eller alle følgende egenskaber.

1. Startkabler
2. 12 V DC-ladestikkontakt
3. 12 V DC-strømuttag
4. Trykknop for batteristatus
5. Bærehåndtag
6. Lysdioder for batteristatus
7. Afbryder
8. Afbryder til LED-fladelys
9. Indikator for omvendt polaritet
10. LED-fladelys

11. Netladeadapter
12. 12 V DC-biladapter
13. Kraftige kobberklemmer
14. Klemmeholdere

ANVENDELSE

Opladning af enheden (fig. A)

Denne enhed leveres i delvist opladet tilstand.

- ◆ Oplad enheden med netladeadapteren (11) i 48 timer, inden den tages i brug.

Blybatterier kræver regelmæssig vedligeholdelse, hvis de skal bevare deres ladecapacitet og holde længe. Alle batterier taber energi over tid pga. selvafladning. Jo højere temperaturer, desto hurtigere sker afladningen. Black & Decker anbefaler, at batteriet som minimum oplades hver 60. dag, når enheden ikke er i brug.

- ◆ Kontroller batteriets ladeniveau ved at trykke på batteristatusknappen (4). Lysdioden for ladestatus (6) viser batteriets ladeniveau. Oplad enheden, når kun én rød lysdiode lyser.

Bemærk: Opladning af batteriet efter brug kan forlænge dets levetid. Hyppige, kraftige afladninger mellem opladningerne og/eller overopladning reducerer batteriets levetid.

Batteriet kan oplades med netladeadapteren (11) eller 12 V DC-biladapteren (12).

Opladning af enheden med netladeren (fig. A)

Sørg for, at afbryderen (7) og LED-fladelyset (10) er slukket, mens enheden oplades.

De røde lysdioder tændes en efter en i takt med, at opladningen skrider frem.

- ◆ Oplad enheden, indtil den grønne lysdiode for FULD lyser.
- ◆ Fortsæt opladningen i yderligere en eller to timer.

Bemærk: Netladeren må højst være tilsluttet i 60 timer.

- ◆ Kobl netladeadapteren (11) fra, når opladningen er færdig, og opbevar den et sikkert sted.

Opladning af enheden med 12 V DC-biladapteren (fig. A)

Sørg for, at afbryderen (7) og LED-fladelyset (10) er slukket, mens enheden oplades.

12 V DC-biladapteren (12) leverer ikke en "taper charge".

Advarsel! Vær opmærksom på følgende ved opladning med 12 V DC-biladapteren (12):

- ◆ "Oplad maksimalt i 4 timer.
- ◆ "Oplad ikke uden opsyn.

Sådan oplades der med 12 V DC-biladapteren (12):

- ◆ Sæt den ene ende af 12 V DC-biladapteren (12) i køretøjets eller bådens 12 V DC-tilbehørsudtag.
- ◆ Sæt den anden ende af 12 V DC-biladapteren (12) i 12 V DC-tilbehørsudtaget (3) på enhedens forside.

- ◆ To check the charge status of the battery during dc charging, Tag 12 V DC-biladapteren ud af tilbehørsudtaget, og tryk på batteristatusknappen for at kontrollere batteriets ladestatus under DC-opladning. Hold øje med lysdioderne, der viser batteriets status. Oplad maksimalt i 3 til 4 timer.
- ◆ Kobl 12 V DC-biladapteren (12) fra, når opladningen er færdig, og opbevar den et sikkert sted.

Brug af enheden som jump-starter (fig. A og B)

Bemærk: Et marinbatteri skal fjernes fra båden og oplades på land. Opladning om bord kræver særligt udstyr beregnet til brug på vandet.

- ◆ Sluk køretøjets tænding og alt tilbehør, inden tilslutningen.
- ◆ Kontroller, at enhedens afbryder (7) står på SLUKKET.
- ◆ Fremgangsmåden i det følgende gælder et system med negativ jord, dvs. hvor batteriets negative terminal er tilsluttet chassiset.
- ◆ Sæt den positive (+), røde klemme på køretøjets positive batteriterminal.
- ◆ Sæt den negative (-), sorte klemme på køretøjets chassis eller en massiv, ubevægelig komponent i køretøjet eller på chassiset.

Advarsel! Sørg for, at kablerne ikke sidder i vejen for drivremme, der bevæger sig, eller ventilatoren.

- ◆ Sæt enhedens afbryder (7) på TÆNDT.
- ◆ Start køretøjet ved at dreje tændingsnøglen i 3 til 6 sekunder.

Lad enhedens interne batteri køle af i 3 minutter, inden du forsøger igen, hvis motoren ikke starter inden for 6 sekunder.

- ◆ Sæt enhedens afbryder (7) på SLUKKET, når køretøjet er startet.
- ◆ Lad køretøjets motor køre.
- ◆ Frakobl først den sorte klemme (-), som er sluttet til chassiset, efterfulgt af den røde klemme (+), som er sluttet til batteriets positive (+) terminal.
- ◆ Tryk forsigtigt den negative (sorte) startkabelledning ind i opbevaringskanalen, idet du starter i den ende, der er længst væk fra klemmen.
- ◆ Sæt den negative (sorte) klemme fast i klemmeholderen (14).
- ◆ Tryk forsigtigt den positive (røde) startkabelledning ind i opbevaringskanalen, idet du starter i den ende, der er længst væk fra klemmen.
- ◆ Sæt den positive (røde) klemme fast i klemmeholderen (14).
- ◆ Oplad enheden så hurtigt som muligt.

Brug af den bærbare 12 V DC-strømforsyning (fig. A)

Denne bærbare strømforsyning kan bruges til alt 12 V DC-tilbehør, der er udstyret med et 5 A-tilbehørsudtag (hanstik).

Advarsel! Forsøg ikke at bruge eller oplade enheden, mens 12 V DC-tilbehørsudtaget (3) er i brug.

- ◆ Løft dækslet til 12 V DC-tilbehørsudtaget (3).

- ◆ Sæt apparatets 12 V DC-stik i 12 V DC-tilbehørsudtaget (3) oven på enheden.

Advarsel! Overskrid ikke belastningen på 5 A.

- ◆ Tænd apparatet, og brug det som sædvanligt.
- ◆ Tryk jævnlige på batteristatusknappen (4) for at kontrollere det interne batteris status.

Advarsel! Sørg for, at enhedens afbryder (7) står på SLUKKET, når enhedens 12 V DC-tilbehørsudtag (3) anvendes.

Advarsel! Brug aldrig apparater, som trækker mere end 5 A.

Advarsel! Sæt aldrig en cigarettænder i 12 V DC-tilbehørsudtaget (3).

Brug af LED-fladelyset (fig. A)

LED-fladelyset (10) fungerer i op til 114 timer på en fuld opladning. LED-fladelyset har en driftslevetid på 100.000 timer.

- ◆ Tryk på LED-fladelysets afbryder (8) på enhedens toppanel for at tænde LED-fladelyset (10).
- ◆ Tryk på LED-fladelysets afbryder (8) på enhedens toppanel for at slukke LED-fladelyset (10).

Sørg for, at LED-fladelyset er slukket, mens enheden oplades eller opbevares.

VEDLIGEHOLDELSE

Dit Black & Decker-værktøj er beregnet til at være i drift gennem en længere periode med minimal vedligeholdelse. Fortsat tilfredsstillende drift afhænger af korrekt behandling af værktøjet samt regelmæssig rengøring.

Advarsel! Tag apparatet ud af stikkontakten, før der udføres nogen form for vedligeholdelse eller rengøring.

- ◆ Aftør regelmæssigt apparatet med en fugtig klud. Der må ikke bruges skuremidler eller opløsningsmidler. Apparatet må ikke nedsænkes i væsker.

Udskiftning af sikringen i bilens DC-strømledning

- ◆ Tag guldhætten af ved at dreje den mod uret.
- ◆ Fjern gummiskiven, midterstiften og fjederen.
- ◆ Fjern sikringen.
- ◆ Isæt en ny sikring af samme type og størrelse (8 A).
- ◆ Montér midterstiften, fjederen og gummiskiven.
- ◆ Montér guldhætten ved at dreje den med uret på stikket.

Miljø



Når dit apparat er udtjent, eller du ikke længere har brug for det, beskyt da naturen ved ikke at smide det ud sammen med det almindelige affald. Black & Decker-værksteder modtager gammelt Black & Decker-værktøj og sørger for, at det bortskaftes på en miljørigtig måde.



Ved adskilt bortskaftelse af brugte produkter og emballage bliver der mulighed for at genanvende forskellige stoffer. Genanvendelse af stoffer

medvirker til at forebygge miljøforurening og mindsker behovet for råstoffer.

Lokal lovgivning kan kræve separat indsamling af elprodukter fra husholdningen, ved kommunale affaldsdepoter eller af den detailhandlende ved køb af et nyt produkt.

Black & Decker sørger for at indsamle og genanvende Black & Decker-produkter, når disse ikke længere kan bruges. Hvis du vil benytte dig af denne service, skal du returnere produktet til et autoriseret værksted, der indsamler produkterne for os.

Kontakt det lokale Black & Decker-kontor på den adresse, som er opgivet i denne vejledning, for at få oplysninger om det nærmeste autoriserede værksted. En liste over alle autoriserede Black & Decker-serviceværksteder samt servicevilkår og kontaktpersoner er tilgængelig på internettet på adressen: **www.2helpU.com**.



Black & Decker-batterier kan genoplades mange gange. Når batterier er udtjente, skal de bortskaftes under passende hensyntagen til miljøet.

- ◆ Batteriet må ikke kastes i ilden, da dette kan fremkalde en eksplosion.
- ◆ Bly- (Pb) batterier kan genbruges. De må ikke bortskaftes sammen med almindeligt husholdningsaffald. Hvis du ikke har adgang til en produktgenanvendelsesordning, skal batteriet fjernes som beskrevet nedenfor og bortskaftes i overensstemmelse med gældende lovgivning.
- ◆ Batteripolerne må ikke kortsluttes.
- ◆ Vær opmærksom på, at batteriet er tungt.
- ◆ Aktivér om muligt apparatet for at køre batteriet helt tomt.

På eksplosionstegningen på bagsiden af denne vejledning kan du finde hjælp til udtagning af batterierne.

Anbring batteriet i en egnet emballage for at sikre, at polerne ikke kan kortsluttes.

Tag batteriet med til et serviceværksted eller en lokal genbrugsstation. Indsamlede batterier genbruges eller bortskaftes på forsvarlig vis.

Tekniske data

		BDV012
Batteri	Type	Forseglet 12 V 19 Ah-blybatteri
Udgangseffekt (øjeblikkelig)	A	450
Udgangseffekt (konstant i 5 sekunder)	A	300
Vægt	kg	7,1
Batterioplader		
Indgang	VAC	230
Ladetid ca.	t	48
Vægt	kg	0,2

Kontakt det lokale Black & Decker-kontor på den adresse, som er opgivet i denne vejledning, for at få oplysninger om det nærmeste autoriserede værksted. En liste over alle autoriserede Black & Decker-serviceværksteder samt servicevilkår er tilgængelig på internettet på adressen:

www.2helpU.com

Gå venligst ind på vores website

www.blackanddecker.dk for at registrere dit nye produkt og for at blive holdt ajour om nye produkter og specialtilbud. Der findes yderligere oplysninger om mærket Black & Decker og vores produktsortiment på adressen

www.blackanddecker.dk

EU overensstemmelseserklæring

BDV012

Black & Decker erklærer, at disse produkter er i overensstemmelse med følgende:

Standarder & lovgivning.

95/54/EF, 73/23/EØF, 89/336/EØF EN60335, EN55014, EN61000



Kevin Hewitt
Director of Consumer Engineering
Spennymoor, County Durham
DL16 6JG,
Storbritannien
31-09-2006

Garanti

Black & Decker garanterer, at produktet er frit for materielle skader og/eller fabrikationsfejl ved levering til kunden.

Garantien er et tillæg til forbrugers lovsikrede rettigheder og påvirker ikke disse. Garantien gælder inden for medlemsstaterne af den Europæiske Union og i det Europæiske Frihandelsområde.

Hvis et Black & Decker-produkt går i stykker på grund af materiel skade og/eller fabrikationsfejl eller på anden måde ikke fungerer i overensstemmelse med specifikationen inden for 24 måneder fra købsdatoen, påtager Black & Decker sig at reparere eller ombytte produktet med mindst mulig ulempe for kunden. Garantien gælder ikke for fejl og mangler, der er sket i forbindelse med:

- ◆ normal slitage
- ◆ uheldige følger efter unormal anvendelse af værktøjet
- ◆ overbelastning, hærværk eller overdrevent intensiv brug af værktøjet eller ulykkehændelse
- ◆ reparationer udført af nogen anden end et autoriseret Black & Decker-værksted.

For at udnytte garantien skal produktet og købskvitteringen indleveres til forhandleren eller til et autoriseret værksted.

Käyttötarkoitus

Black & Decker -apukäynnistin on tarkoitettu antamaan lisätehoa lyijyakkuihin auton moottorin käynnistysvaiheessa. Se toimii myös kannettavana 12 voltin virtalähteenä. Tuote on tarkoitettu ainoastaan kotikäyttöön.

Turvallisuusohjeet

Varoitus! Tulipalon, akkuvuodon sekä henkilö- ja materiaalivahinkojen ehkäisemiseksi akkukäyttöisiä laitteita käytettäessä on aina noudatettava perusturvallisuusohjeita, mukaan lukien seuraavat ohjeet.

- ◆ Lue nämä ohjeet huolellisesti ennen laitteen käyttöä.
- ◆ Käyttötarkoitus kuvataan ohjeissa. Muiden kuin ohjeissa suositeltujen lisävarusteiden tai -osien käyttö sekä laitteen käyttö muuhun kuin oppaassa suositeltuun tarkoitukseen voi aiheuttaa henkilövahingon vaaran.
- ◆ Säilytä ohjeet tulevaa tarvetta varten.

Laitteen käyttö

Ole aina huolellinen käyttäessäsi laitetta.

- ◆ Tätä laitetta ei ole tarkoitettu nuorten tai lihasvoimaltaan heikkojen henkilöiden käyttöön ilman valvontaa.
- ◆ Laitetta ei tule käyttää leluina.
- ◆ Soveltuu vain kuivaan käyttöympäristöön. Älä anna laitteen kastua.
- ◆ Älä upota laitetta veteen.
- ◆ Älä avaa laitteen koteloa. Sen sisällä ei ole käyttäjän huollettavissa olevia osia.
- ◆ Älä käytä laitetta räjähdysalttiissa ympäristössä, jossa on palavaa nestettä, kaasua tai pölyä.
- ◆ Älä koskaan irrota johtoa pistorasiasta johdosta vetäen. Pistoke tai johto voi vahingoittua.

Käytön jälkeen

- ◆ Kun laitetta ei käytetä, säilytä sitä kuivassa, ilmavassa paikassa poissa lasten ulottuvilta.
- ◆ Pidä laite lasten ulottumattomissa.
- ◆ Kun laitetta säilytetään tai kuljetetaan ajoneuvossa, sijoita se tavaratilaan tai kiinnitä se kunnolla, ettei se matkan aikana pääse liikkumaan.
- ◆ Suojaa laite suoralta auringonvalolta, kuumuudelta ja kosteudelta.

Tarkastus ja korjaus

- ◆ Tarkista ennen laitteen käyttöä, ettei laitteessa ole vahingoittuneita tai viallisia osia. Tarkista osien ja kytkimien kunto sekä muut seikat, jotka voivat vaikuttaa laitteen toimintaan.
- ◆ Älä käytä laitetta, jos jokin osa on vahingoittunut tai viallinen.
- ◆ Korjauta tai vaihdata vaurioituneet tai vialliset osat valtuutetussa huoltoliikkeessä.
- ◆ Älä koskaan yritä korjata tai vaihtaa muita kuin ohjeissa erikseen määritellyjä osia.

Apukäynnistimen turvaohjeet

Laitteessa on seuraavat merkinnät



ON/OFF-virtakytkin (7), ON-asennossa (virta kytketty)



ON/OFF-virtakytkin (7), OFF-asennossa (virta katkaistu)



12 V lisälaiteliitäntä



Käänteisen polaarisuuden osoitin

- ◆ Ajoneuvossa voi olla sellaisia sähköjärjestelmiä (esim. moottorin ohjausjärjestelmä tai matkapuhelin), joita korkea käynnistysjännite ja jännitepiikit voivat vahingoittaa. Ennen kuin kytket apukäynnistimen autoon, tarkista auton käsikirjasta, onko ulkopuolisen käynnistysavun käyttö sallittu.
- ◆ Noudata annettuja ohjeita sekä niitä ohjeita, joita auton ja akun valmistaja sekä minkä tahansa muun, apukäynnistimen kanssa käytettävän laitteen valmistaja on antanut. Tarkista näiden tuotteiden ja ajoneuvon varoitusmerkinnät.
- ◆ Tätä laitetta ei ole tarkoitettu korvaamaan ajoneuvon omaa akkua. Älä yritä käyttää ajoneuvoa, jossa ei ole akkua.
- ◆ Apukäynnistimen saa kytkeä vain 12 voltin lyijyakkuihin. Älä käytä sitä kodin sähkölaitteissa yleisesti käytettyjen kuivapariesten tai akkujen lataamiseen. Ne voivat räjähtää ja aiheuttaa laite- ja henkilövahinkoja.
- ◆ Tarkista ajoneuvon akun napojen polaarisuus ennen kuin kytket apukäynnistimen. Irrota aina ensin apukäynnistimen negatiivinen (musta) kaapeli. Vasta sen jälkeen irrotetaan positiivinen (punainen) kaapeli.
- ◆ ON/OFF-virtakytkimen tulee olla OFF-asennossa, kun apukäynnistin liitetään virtalähteeseen tai käynnistyskohteeseen, kun sitä ladataan tai kun se ei ole käytössä.
- ◆ Älä koskaan anna mustan ja punaisen kaapelin kiinnityspihntien koskettaa toisiaan tai sähkö johtavaa metalliesinettä, jota toinen pihti jo koskettaa. Se voi vahingoittaa laitetta ja aiheuttaa kipinöintiä ja mahdollisen räjähdysvaaran. Pihdit on aina kiinnitettävä pidikkeisiinsä, kun apukäynnistintä ei käytetä.
- ◆ Kun laitetta käytetään ajoneuvon akun ja moottorin läheisyydessä, se on asetettava tukevalle ja tasaiselle alustalle. Pidä apukäynnistimen pihdit ja johdot sekä käyttäjän vaatteet ja kädet poissa ajoneuvon liikkuvista osista.

- ◆ Tämä laite sisältää suljetun lyijyakun. On suositeltavaa sijoittaa laite pystyasentoon varastointiin, käytön ja latauksen ajaksi.
- ◆ Lyijyakusta voi latauksen aikana tulla räjähdysriskiä kaasua. Erityisen vaativissa oloissa on mahdollista, että akku vuotaa. Apukäynnistimen käyttö- ja lataustilassa tulee olla kunnollinen ilmanvaihto.
- ◆ Älä lataa laitetta ajoneuvon 12 voltin liitännästä silloin, kun ajoneuvossa on ihmisiä. Lataustilassa on oltava kunnollinen ilmanvaihto.
- ◆ Sähköskujen välttämiseksi laite on irrotettava virtalähteestä ennen huoltoa ja puhdistusta. Pelkkä virran katkaisu kytkimistä ei poista sähköiskun mahdollisuutta, jos laite on kytketty virtalähteeseen.
- ◆ 12 voltin liitäntä on tarkoitettu ainoastaan lisälaitteille. Sen enimmäisvirta on 5A. Älä koskaan työnnä ajoneuvon savukkeensytytintä tähän 12 voltin lisälaiteliitäntään.
- ◆ Varmista, että laite on irrotettu kaikista latausvirtalähteistä siinä vaiheessa, kun sitä käytetään käynnistysapuna.
- ◆ Kun laitetta ladataan verkkovirralla, älä samanaikaisesti käytä tasavirralla toimivaa latausliitäntää.

Akkuja ja laturia koskevat turvaohjeet

Paristot

- ◆ Älä koskaan yritä avata paristoja.
- ◆ Älä anna akun kastua.
- ◆ Älä säilytä paristoja tiloissa, joissa lämpötila voi nousta yli 40 °C: seen.
- ◆ Lataa akku paikassa, jonka lämpötila on vähintään +10 °C ja enintään +40 °C.
- ◆ Käytä vain laitteen mukana toimitettua laturia.
- ◆ Noudata paristoja hävittäessäsi kohdassa "Ympäristönsuojelu" annettuja ohjeita.
- ◆ Vaativissa oloissa voi ilmetä akkuvuotoja. Jos havaitset akkujen pinnalla nestettä, pyyhi se huolellisesti pois. Vältä ihokosketusta.
- ◆ Jos nestettä joutuu silmiin tai iholle, noudata alla olevia ohjeita.

Varoitus! Akkuneste on laimennettua rikkihappoa, joka voi aiheuttaa aineellisia tai henkilövahinkoja. Jos nestettä joutuu iholle, se on välittömästi huuhdeltava pois vedellä. Jos ihoa kirvelee tai se punottaa tai on muuten ärtynyt, kysy lisäohjeita lääkäriltä. Jos nestettä joutuu silmiin, huuhto välittömästi puhtaalla vedellä ja mene mahdollisimman pian lääkäriin.

Laturi

Laturi on tarkoitettu tietyille jännitteelle. Tarkista, että verkkojännite vastaa laitekilvessä ilmoitettua jännitettä.

Varoitus! Älä koskaan yritä liittää laitetta suoraan verkkovirtaan käyttämättä laturia.

Käytä Black & Deckerin laturia vain laitteen mukana toimitetun akun lataamiseen. Muut akut voivat räjähtää ja aiheuttaa aineellisia tai henkilövahinkoja.

- ◆ Älä koskaan yritä ladata paristoja, joita ei ole tarkoitettu ladattavaksi.
- ◆ Vaihda vialliset johdot välittömästi ehiin.
- ◆ Älä anna laturin kastua.
- ◆ Älä avaa laturia.
- ◆ Älä työnnä mitään laturin sisään.

Lataa akku paikassa, jossa on kunnollinen ilmanvaihto.

Laturissa on seuraavat merkinnät:



Laturi on kaksoeristetty; joten erillistä maadoitusta ei tarvita.



Toimintavarma eristävä muuntaja. Muuntajalähtö on eristetty sähköisesti sähköverkosta.



Laturi kytketty automaattisesti pois päältä, jos ympäröivä lämpötila nousee liian korkeaksi. Tällöin laturia ei voi enää käyttää. Irrota laturi sähköverkosta ja toimita se valtuutettuun huoltoliikkeeseen korjattavaksi.



Laturi on tarkoitettu ainoastaan sisäkäyttöön.

Sähköturvallisuus



Tämä laite on kaksoeristetty; siksi erillistä maadoitusta ei tarvita. Tarkista aina, että virtalähde vastaa arvokilvessä ilmoitettua jännitettä.

- ◆ Jos virtajohto vahingoittuu, sen vaihtaminen tulee turvallisuussyistä jättää valmistajan tai valtuutetun Black & Decker -huollon tehtäväksi.

Yleiskuvaus

Tässä laitteessa on kaikki seuraavat ominaisuudet tai joitakin niistä:

1. Käynnistinkaapelit
2. 12 V tasavirtalatauksen liitäntä
3. 12 V lisälaiteliitäntä
4. Akun varaustilan painike
5. Kantokahva
6. Akun varaustilan merkkivalo
7. ON/OFF-virtakytkin
8. Hakuvalon kytkin
9. Käänteisen polaarisuuden osoitin
10. Hakuvalo
11. Verkkovirtalaturi
12. 12 V ajoneuvosovitin
13. Kupariset kiinnityspihdit
14. Pihtien pidikkeet

KÄYTTÖ

Laitteen lataaminen (kuva A)

Ostettaessa laitteen akku on osittain ladattu.

- ◆ Lataa laitetta ennen sen ensimmäistä käyttökertaa verkkovirtalaturilla (11) 48 tuntia.

Täyden varauskyvyn ja pitkän käyttöiän takaamiseksi liijyakut vaativat tietyn perushuollon. Ajan mittaan kaikkien akkujen varaus purkautuu itseksään. Purkautuminen nopeutuu lämpötilan kohoamisen myötä. Kun apukäynnistintä ei käytetä, Black & Decker suosittelee sen lataamista vähintään 60 päivän välein.

- ◆ Tarkista akun varausaso painamalla varaustilan painiketta (4). Varaustilan merkkivalot (6) osoittavat akun varaustason. Lataa laite, jos vain yksi punainen merkkivalo palaa.

Huomautus: Akun lataaminen jokaisen käyttökerran jälkeen pidentää akun käyttöikää. Usein toistuvat nopeat purkaukset latausten välillä ja/tai yllilataaminen lyhentävät akun ikää.

Apukäynnistimen akun voi ladata verkkovirtalaturilla (11) tai 12 voltin ajoneuvosovitinta (12) käyttäen.

Apukäynnistimen lataaminen verkkovirtalaturilla (kuva A)

Varmista, että virta on katkaistu ON/OFF-virtakytkimestä (7) ja hakuvalosta (10) laitteen latauksen ajaksi.

Sitä mukaan kun lataus etenee, punaiset merkkivalot syttyvät yksi kerrallaan.

- ◆ Lataa niin kauan, kunnes vihreä täyden latauksen merkkivalo (FULL) syttyy.
- ◆ Jatka latausta tämän jälkeen vielä tunnin tai kaksi.

Huomautus: Akkua saa ladata verkkovirtalaturilla enintään 60 tuntia.

- ◆ Kun akku on ladattu täyteen, irrota verkkovirtalaturi (11) ja vie se turvalliseen säilytyspaikkaan.

Lataaminen 12 voltin ajoneuvosovitinta käyttäen (kuva A)

Varmista, että virta on katkaistu ON/OFF-virtakytkimestä (7) ja hakuvalosta (10) latauksen ajaksi.

12 voltin ajoneuvosovittimella (12) ladattaessa jännitteensäätely ei ole käytössä.

Varoitus! Käytettäessä lataamiseen 12 voltin ajoneuvosovitinta (12)

- ◆ Suurin sallittu latausaika on neljä tuntia.
- ◆ Älä jätä laitetta ilman valvontaa.

Apukäynnistimen lataaminen 12 voltin ajoneuvosovitinta (12) käyttäen:

- ◆ Työnnä 12 V ajoneuvosovittimen (12) toinen pää ajoneuvon tai veneen 12 voltin lisälaiteliitäntään.
- ◆ Työnnä 12 V ajoneuvosovittimen (12) toinen pää apukäynnistimen 12 voltin lisälaiteliitäntään (3).

- ◆ Voit tarkistaa akun varaustilan tasavirtalatauksen aikana irrottamalla 12 voltin ajoneuvosovittimen lisälaiteliitäntästä ja painamalla akun varaustilan painiketta. Tarkkaile akun varaustilan merkkivaloja. Suurin sallittu latausaika on kolmesta neljään tuntia.
- ◆ Kun akku on ladattu täyteen, irrota 12 voltin ajoneuvosovitintä (12) ja vie se turvalliseen säilytyspaikkaan.

Apukäynnistimen käyttäminen käynnistysapuna (kuvat A ja B)

Huomautus: Veneen akku on irrotettava veneestä ja ladattava maissa. Sen lataaminen veneessä vaatii nimenomaan veneilykäyttöön tarkoitettuja laitteita.

- ◆ Katkaise virta ajoneuvosta ja sen kaikista laitteista ennen mitään kytkentöjä.
- ◆ Varmista, että apukäynnistimen ON/OFF-virtakytkin (7) on OFF-asennossa (virta katkaistu).
- ◆ Alla kuvattu menettely soveltuu negatiiviseen maadoitusjärjestelmään, jossa akun negatiivinen napa liitetään ajoneuvon koriin.
- ◆ Kiinnitä positiivinen (+) punainen kiinnityspihti ajoneuvon akun positiiviseen napaan.
- ◆ Kiinnitä negatiivinen (-) musta pihti ajoneuvon koriin tai sen paljaaseen, kiinteään osaan tai korin osaan.

Varoitus! Katso, etteivät kaapelit ole pyörivien hihnojen tai tuulettimien tiellä.

- ◆ Käännä apukäynnistimen ON/OFF-virtakytkin (7) ON-asentoon.
- ◆ Kytke ajoneuvon virta ja starttaa moottoria 3 - 6 sekunnin mittaisissa jaksoissa.

Ellei moottori käynnisty 6 sekunnissa, anna apukäynnistimen sisäisen akun jäähtyä 3 minuuttia ennen seuraavaa käynnistysyritystä.

- ◆ Kun ajoneuvo käynnistyy, käännä apukäynnistimen ON/OFF-virtakytkin (7) OFF-asentoon.
- ◆ Jätä ajoneuvon moottori käyntiin.
- ◆ Irrota ensin ajoneuvon koriin tai moottoriin kiinnitetty musta (-) pihti ja vasta sen jälkeen akun +-napaan kiinnitetty punainen +-pihti.
- ◆ Työnnä varovasti negatiivinen (musta) käynnistyskaapeli säilytysuraansa aloittaen siitä päästä, joka on kauimpana pihdistä.
- ◆ Purista negatiivinen (musta) pihti pidikkeeseensä (14).
- ◆ Työnnä varovasti positiivinen (punainen) käynnistyskaapeli säilytysuraansa aloittaen siitä päästä, joka on kauimpana pihdistä.
- ◆ Purista positiivinen (punainen) pihti pidikkeeseensä (14).
- ◆ Lataa apukäynnistin mahdollisimman pian.

Käyttö 12 voltin kannettavana virtalähteenä (kuva A)

Tämä kannettava virtalähde soveltuu kaikille 12 voltin tasavirtalaitteille, joissa on enintään 5 ampeerin urospuolinen lisälaiteliitäntä.

Varoitus! Älä käytä laitetta apukäynnistimenä tai lataa sitä silloin, kun 12 V lisälaiteliitäntää (3) käytetään.

- ◆ Avaa 12 V lisälaiteliitäntään (3) kansi.
- ◆ Työnnä virtaa tarvitsevan laitteen 12 voltin pistoke apukäynnistimen yläosassa olevaan 12 V lisälaiteliitäntään.

Varoitus! Kuormitus saa olla enintään 5 A.

- ◆ Käynnistä laite ja käytä sitä normaalisti.
- ◆ Tarkista välillä apukäynnistimen akun varaus painamalla akun varaustilan painiketta (4).

Varoitus! Apukäynnistimen ON/OFF-virtakytkimen (7) täytyy olla OFF-asennossa käytettäessä 12 voltin lisälaiteliitäntää (3).

Varoitus! Älä käytä sellaisia laitteita, jotka ottavat yli 5 ampeeria.

Varoitus! Älä koskaan työnnä savukkeensytytintä 12 voltin lisälaiteliitäntään (3).

Hakuvalon käyttäminen (kuva A)

Hakuvalo (10) toimii jopa 114 tuntia täyteen ladatulla akulla. Hakuvalon LED kestää jopa 100 000 tuntia.

- ◆ Hakuvalo (10) syytetään työntämällä apukäynnistimen yläosan käyttöpaneelissa olevaa virtakytkintä (8).
- ◆ Valo (10) sammutetaan samalla kytkimellä (8).

Hakuvalo täytyy olla sammutettu, kun apukäynnistintä ladataan tai kun sitä ei käytetä.

HUOLTO

Black & Decker -työkalu on suunniteltu toimimaan mahdollisimman pitkän aikaa mahdollisimman vähällä huollolla. Oikealla huollolla ja säännöllisellä puhdistuksella laite säilyttää suorituskykynsä.

Varoitus! Ennen huoltoa ja puhdistusta laitteen tulee olla pois päältä ja irti virtalähteestä.

- ◆ Pyyhi laite säännöllisesti kostealla rätillä. Älä koskaan käytä puhdistamiseen liuotainaineita tai syövyttäviä puhdistusaineita. Älä upota laitetta veteen.

Autolatausjohdon sulakkeen vaihtaminen

- ◆ Avaa kullanvärinen nuppi kiertämällä sitä vastapäivään.
- ◆ Poista kumirengas, keskitappi ja jousi.
- ◆ Irrota sulake.
- ◆ Vaihda tilalle saman tyyppinen ja kokoinen (8 A) sulake.
- ◆ Asenna keskitappi, jousi ja kumirengas paikalleen.
- ◆ Kierrä kullanvärinen nuppi paikalleen kiertämällä myötäpäivään.

Ympäristö



Kun laitteesi aikanaan täytyy vaihtaa tai ei kelpaa enää käyttöön, ota huomioon ympäristötekijät. Black & Deckerin valtuutetut huoltooliikkeet ottavat vastaan Black & Decker -työkaluja ja varmistavat, että ne hävitetään ympäristöystävällisesti.



Käytettyjen tuotteiden ja pakkausmateriaalien erilliskeruu avulla materiaalit voidaan kierrättää ja käyttää uudelleen. Kierrätysmateriaalien käyttö auttaa vähentämään ympäristön saastumista ja uusien raaka-aineiden tarvetta.

Paikallisissa säädöksissä voidaan määrätä, että kodin sähkötuotteiden keruu tapahtuu kaupunkien jätteidenkäsittelyasemilla tai tuotteita myyvissä liikkeissä uuden tuotteen oston yhteydessä.

Kun laitteesi on käytetty loppuun, älä heitä sitä tavallisten roskien mukana pois, vaan vie se paikkakuntasi kierrätyskeskuksen tai jätä valtuutettuun Black & Deckerin huoltooliikkeeseen.

Tiedot valtuutetuista huoltooliikkeistä saa ottamalla yhteyttä Black & Decker Oy:hyn sekä Internetistä osoitteesta www.2helpU.com.



Black & Deckerin akkuja voi ladata yhä uudelleen ja uudelleen. Hävitä loppuun kuluneet akut ympäristöystävällisesti.

- ◆ Älä yritä polttaa akkuja, sillä se voi räjähtää.
- ◆ Lyijyhappoakut (Pb) ovat kierrätyskelpoisia. Älä hävitä niitä talousjätteen mukana. Jos sinulla ei ole mahdollisuutta huolehtia akun kierrätyksestä, hävitä se alla kuvatulla tavalla voimassa olevien ohjeiden mukaisesti.
- ◆ Käsittele akkuja niin, että navat eivät aiheuta oikosulkua.
- ◆ Muista, että akku on painava.
- ◆ Jos vain mahdollista, käytä laitetta niin kauan, että akku tyhjenee.

Tämän oppaan takakannessa on akun poistoa helpottava kaaviokuva.

Pakkaa akku niin, että navat eivät aiheuta oikosulkua.

Toimita akku paikalliseen huoltooliikkeeseen tai kierrätyspisteeseen. Oikeaan paikkaan toimitetut akut kierrätetään tai hävitetään asianmukaisesti.

Tekniset tiedot

BDV012		
Akku	Tyyppi	12 V 19 Ah suljettu lyijyakku
Lähtö (pika)	A	450
Lähtö (vakio 5 sekunnin ajan)	A	300
Paino	kg	7.1
Akkulaturi		
Syöttö	Vac	230
Arvioitu latausaika	h	48
Paino	kg	0.2

EU:n yhdenmukaisuusilmoitus

BDV012

Black & Decker vakuuttaa näiden tuotteiden olevan seuraavien standardien vaatimusten mukaiset:

Standardit ja määräykset

95/54/EY, 73/23/ETY, 89/336/ETY, EN60335, EN55014, EN61000



Kevin Hewitt
Director of Consumer Engineering
Spennymoor, County Durham
DL16 6JG,
Iso-Britannia
31-09-2006

Takuu

Black & Decker Oy takaa, ettei tuotteessa ollut materiaali- ja/tai valmistusvikaa silloin, kun se toimitettiin ostajalle. Takuu on lisäys kuluttajan laillisiin oikeuksiin eikä vaikuta niihin. Takuu on voimassa Euroopan unionin jäsenmaissa ja Euroopan vapaakauppa-alueella (EFTA).

Mikäli Black & Decker -tuote hajoaa materiaali- ja/tai valmistusvirheen tai teknisten tietojen epätarkkuuden vuoksi 24 kk:n kuluessa ostopäivästä, Black & Decker korjaa laitteen ilman kustannuksia ostajalle tai vaihtaa sen uuteen Black & Decker Oy:n valinnan mukaan. Takuu ei kata vikoja, jotka johtuvat laitteen

- ◆ normaalista kulumisesta
- ◆ ylikuormituksesta, virheellisestä käytöstä tai hoidosta
- ◆ vahingoittamisesta vieraalla esineellä tai aineella tai onnettomuustapauksessa.
- ◆ Takuu ei ole voimassa, mikäli laitetta on korjannut joku muu kuin Black & Deckerin valtuuttama huoltoliike.

Edellytyksenä takuun saamiselle on, että ostaja jättää laitteen ja ostokuitin jälleenmyyjälle tai valtuutetulle huoltoliikkeelle viimeistään 2 kuukauden kuluessa vian ilmenemisestä. Tiedot valtuutetuista huoltoliikkeistä saa ottamalla yhteyttä Black & Decker Oy:hyn sekä Internetistä osoitteesta

www.2helpU.com, jossa on myös takuehdot.

Rekisteröi uusi Black & Decker -tuotteesi ja katso uusien tuotteiden ja erikoistarjousten tiedot verkkosivuiltamme osoitteesta **www.blackanddecker.fi**. Katso Black & Decker -tavaramerkin ja tuotevalikoimamme lisätiedot osoitteesta **www.blackanddecker.fi**.

Ενδεδειγμένη χρήση

Το στάρτερ (εκκινήτης) μπαταριών της Black & Decker έχει σχεδιαστεί ώστε να παρέχει πρόσθετη ισχύ σε μπαταρίες μολύβδου κατά την εκκίνηση κινητήρων αυτοκινήτων και να παρέχει μια φορητή πηγή τροφοδοσίας 12 Vdc. Αυτό το προϊόν προορίζεται μόνο για οικιακή, ερασιτεχνική χρήση.

Οδηγίες ασφαλείας

Προειδοποίηση! Κατά τη χρήση συσκευών που τροφοδοτούνται με μπαταρία, θα πρέπει να λαμβάνονται οι βασικές προφυλάξεις ασφαλείας, συμπεριλαμβανομένων των παρακάτω, για τον περιορισμό του κινδύνου πυρκαγιάς, διαρροής υγρών μπαταρίας, τραυματισμού προσώπων και υλικών ζημιών.

- Πριν χρησιμοποιήσετε τη συσκευή διαβάστε προσεκτικά ολόκληρο το εγχειρίδιο.
- Η ενδεδειγμένη χρήση περιγράφεται σε αυτό το εγχειρίδιο. Τόσο η χρήση εξαρτημάτων ή προσθηκών όσο και η πραγματοποίηση εργασιών με τη συσκευή που δεν συνιστώνται σε αυτό το εγχειρίδιο οδηγούν εγκυμονεί κίνδυνο τραυματισμού.
- Φυλάξτε αυτό το εγχειρίδιο για μελλοντική αναφορά.

Χρησιμοποίηση της συσκευής

Προσέχετε πάντα όταν χρησιμοποιείτε τη συσκευή.

- Αυτή η συσκευή δεν προορίζεται για χρήση από νεαρά ή αδύναμα άτομα χωρίς επίβλεψη.
- Η συσκευή δεν πρέπει να χρησιμοποιείται σαν παιχνίδι.
- Να χρησιμοποιείται σε χώρους χωρίς υγρασία. Φροντίστε να μην βραχεί η μονάδα.
- Μην βουτάτε τη συσκευή μέσα σε νερό.
- Μην ανοίγετε το περίβλημα του σώματος της συσκευής. Τα εξαρτήματα στο εσωτερικό δεν επιδέχονται επισκευής από το χρήστη.
- Μη χρησιμοποιείτε τη συσκευή σε περιβάλλον όπου υπάρχει κίνδυνος έκρηξης, π.χ. παρουσία εύφλεκτων υγρών, αερίων ή σκόνης.
- Για να βγάλετε το φως από την πρίζα, μην τραβάτε από το καλώδιο αλλά από το ίδιο το φως. Έτσι θα αποφύγετε τον κίνδυνο φοράς του φως και του καλωδίου.

Μετά τη χρήση

- Όταν δεν χρησιμοποιείται, η συσκευή πρέπει να φυλάσσεται σε στεγνό μέρος, με καλό αερισμό και μακριά από παιδιά.
- Τα παιδιά δεν πρέπει να έχουν πρόσβαση σε αποθηκευμένες συσκευές.
- Όταν η συσκευή φυλάσσεται ή μεταφέρεται με ένα όχημα, πρέπει να τοποθετείται στο χώρο αποσκευών ή να στερεώνεται ώστε να μη μετακινείται σε περίπτωση απότομων μεταβολών της ταχύτητας ή της κατεύθυνσης του οχήματος.
- Η συσκευή πρέπει να προφυλάσσεται από την ηλιακή ακτινοβολία, τη ζέση και την υγρασία.

Επιθεώρηση και επισκευές

- Πριν από τη χρήση, ελέγξτε τη συσκευή σας για τυχόν κατεστραμμένα ή ελαττωματικά τμήματα. Ελέγξτε αν υπάρχουν σπασμένα εξαρτήματα, ζημιά στους διακόπτες και οποιεσδήποτε άλλες συνθήκες που θα μπορούσαν να επηρεάσουν τη λειτουργία της.
- Μη χρησιμοποιείτε τη συσκευή, αν κάποιο εξάρτημά της παρουσιάζει ζημιά ή ελάττωμα.
- Φροντίστε να γίνει η επισκευή ή η αντικατάσταση των τυχόν ελαττωματικών εξαρτημάτων από εξουσιοδοτημένο κέντρο επισκευών.
- Ποτέ μην επιχειρείτε να αφαιρέσετε ή να αντικαταστήσετε εξαρτήματα, άλλα από αυτά που προσδιορίζονται σε αυτό το εγχειρίδιο.

Ειδικές οδηγίες ασφαλείας για στάρτερ μπαταριών

Τα ακόλουθα σύμβολα αναγράφονται στη συσκευή:



Διακόπτης ON/OFF (7), θέση ON.



Διακόπτης ON/OFF (7), θέση OFF.



Υποδοχή παροχής 12 Vdc.



Ενδεικτική λυχνία ανάστροφης πολικότητας.

- Πολλά οχήματα έχουν ηλεκτρικά και ηλεκτρονικά συστήματα (π.χ. σύστημα διαχείρισης κινητήρα, κινητό τηλέφωνο),

τα οποία μπορεί να πάθουν βλάβη εάν υποβληθούν σε υψηλές τάσεις εκκίνησης και αιχμές τάσης. Προτού συνδέσετε τη συσκευή στο όχημα, διαβάστε το εγχειρίδιο κατόχου του οχήματος για να επιβεβαιώσετε ότι επιτρέπονται οι εξωτερικές συσκευές εκκίνησης.

- ◆ Ακολουθήστε αυτές τις οδηγίες, όπως και τις οδηγίες του κατασκευαστή της μπαταρίας, του κατασκευαστή του οχήματος και του κατασκευαστή κάθε εξοπλισμού που σκοπεύετε να χρησιμοποιήσετε με αυτή τη συσκευή. Λάβετε υπόψη σας τις προειδοποιητικές ετικέτες αυτών των προϊόντων και του οχήματος.
- ◆ Αυτή η συσκευή δεν έχει σχεδιαστεί για χρήση ως υποκατάστατο των μπαταριών οχημάτων. Μην επιχειρήσετε να οδηγήσετε ένα όχημα χωρίς εγκατεστημένη μπαταρία.
- ◆ Η συσκευή πρέπει να συνδέεται μόνο με μπαταρίες μολύβδου 12 V. Μην χρησιμοποιείτε τη συσκευή για τη φόρτιση μπαταριών ξηρού τύπου, οι οποίες χρησιμοποιούνται ευρέως σε οικιακές συσκευές. Υπάρχει κίνδυνος αυτές οι μπαταρίες να εκραγούν και να προκαλέσουν τραυματισμούς σε ανθρώπους ή και υλικές ζημιές.
- ◆ Προτού συνδέσετε τη συσκευή, ελέγχετε την πολικότητα των πόλων της μπαταρίας του οχήματος. Πάντα αποσυνδέετε πρώτα το αρνητικό (μαύρο) καλώδιο γεφύρωσης: ακολουθούμενο από το θετικό (κόκκινο) καλώδιο γεφύρωσης.
- ◆ Όταν η συσκευή φορτίζεται ή δε χρησιμοποιείται, καθώς και πριν από τη σύνδεση αυτής με μια πηγή τροφοδοσίας ή ένα φορτίο, ο διακόπτης ON/OFF θα πρέπει να βρίσκεται στη θέση OFF.
- ◆ Ποτέ μην αφήνετε την κόκκινη και τη μαύρη δαγκάνα να έρθουν σε επαφή μεταξύ τους ή με άλλον κοινό μεταλλικό αγωγό. Κάτι τέτοιο μπορεί να προκαλέσει ζημιά στη συσκευή και/ή να δημιουργήσει κίνδυνο σπινθηρισμού/έκρηξης. Όταν οι δαγκάνες της μπαταρίας δε χρησιμοποιούνται, αποθηκεύετέ τις πάντα στις ενσωματωμένες θήκες.
- ◆ Όταν χρησιμοποιείτε αυτή τη συσκευή κοντά στην μπαταρία και τον κινητήρα του οχήματος, τοποθετήστε τη σε μια επίπεδη, σταθερή επιφάνεια και μην πλησιάζετε τις δαγκάνες, τα καλώδια, το ρουχισμό και μέρη

του σώματός σας σε κινούμενα μέρη του οχήματος.

- ◆ Αυτή η συσκευή περιέχει μια μπαταρία μολύβδου κλειστού τύπου. Συστήνεται η συσκευή να τοποθετείται όρθια κατά την αποθήκευση, τη χρήση και την επαναφόρτισή της.
- ◆ Κατά τη φόρτιση των μπαταριών μολύβδου μπορεί να απελευθερωθούν εκρηκτικά αέρια, ενώ σε σπάνιες περιπτώσεις μπορεί να προκύψει διαρροή. Βεβαιωθείτε ότι ο χώρος αερίζεται καλά κατά τη διάρκεια των διαδικασιών εκκίνησης και φόρτισης με τη συσκευή.
- ◆ Μην φορτίζετε τη συσκευή χρησιμοποιώντας το συνδετήρα 12 V όταν στο όχημα υπάρχουν άνθρωποι. Βεβαιωθείτε ότι ο χώρος αερίζεται καλά.
- ◆ Για να ελαττώσετε τον κίνδυνο ηλεκτροπληξίας, αποσυνδέετε τη συσκευή από κάθε πηγή τροφοδοσίας πριν από τη συντήρηση ή τον καθαρισμό. Η απενεργοποίηση της συσκευής από το διακόπτη χωρίς την αποσύνδεση αυτής, δεν ελαττώνει αυτόν τον κίνδυνο.
- ◆ Η έξοδος 12 Vdc προορίζεται αυστηρά για χρήση ως υποδοχή παροχής, ενώ το μέγιστο ρεύμα της είναι 5 A. Ποτέ μην εισάγετε έναν αναπτήρα αυτοκινήτου στην υποδοχή παροχής 12 Vdc της συσκευής.
- ◆ Βεβαιωθείτε ότι η συσκευή έχει αποσυνδεθεί από όλες τις πηγές φόρτισης προτού ξεκινήσετε τη διαδικασία εκκίνησης με τη συσκευή.
- ◆ Ποτέ μην προσπαθήσετε να χρησιμοποιήσετε ταυτόχρονα το φορτιστή ac και τη σύνδεση φόρτισης dc.

Συμπληρωματικές οδηγίες ασφαλείας για τις μπαταρίες και τους φορτιστές

Μπαταρίες

- ◆ Μην επιχειρήσετε ποτέ να ανοίξετε τις μπαταρίες για οποιοδήποτε λόγο.
- ◆ Μην εκθέτετε την μπαταρία σε νερό.
- ◆ Μην φυλάσσετε τις μπαταρίες σε μέρη όπου η θερμοκρασία μπορεί να υπερβεί τους 40 °C.
- ◆ Η φόρτιση πρέπει να γίνεται μόνο σε θερμοκρασίες περιβάλλοντος μεταξύ 10 °C και 40 °C.
- ◆ Η φόρτιση πρέπει να γίνεται μόνο με τους φορτιστές που παρέχονται μαζί με τη συσκευή.

- ♦ Όταν απορρίπτετε τις μπαταρίες, ακολουθήστε τις οδηγίες που δίνονται στην ενότητα «Προστασία του περιβάλλοντος».
- ♦ Κάτω από ακραίες συνθήκες, μπορεί να επέλθει διαρροή υγρών μπαταρίας. Αν παρατηρήσετε υγρό πάνω στις μπαταρίες, σκουπίστε το προσεκτικά με ένα πανί. Αποφύγετε την επαφή με το δέρμα.
- ♦ Στην περίπτωση επαφής με το δέρμα ή τα μάτια, ακολουθήστε τις παρακάτω οδηγίες.

Προειδοποίηση! Το υγρό της μπαταρίας είναι αραιωμένο θειικό οξύ και μπορεί να προκαλέσει τραυματισμό ή υλικές ζημιές. Στην περίπτωση επαφής με το δέρμα, ξεπλύντε αμέσως με άφθονο νερό. Αν παρουσιαστεί κοκκίνισμα του δέρματος, πόνος ή ερεθισμός, ζητήστε ιατρική βοήθεια. Στην περίπτωση επαφής με τα μάτια, ξεπλύντε αμέσως με άφθονο καθαρό νερό και ζητήστε άμεση ιατρική βοήθεια.

Φορτιστές

Ο φορτιστής σας είναι σχεδιασμένος για μια συγκεκριμένη ηλεκτρική τάση. Ελέγχετε πάντα αν η τάση τροφοδοσίας αντιστοιχεί σε αυτήν που αναγράφεται στην πινακίδα χαρακτηριστικών.

Προειδοποίηση! Ποτέ μην επιχειρείτε να αντικαταστήσετε τη μονάδα φορτιστή με έναν κανονικό ρευματολήπτη.

Ο φορτιστής Black & Decker πρέπει να χρησιμοποιείται αποκλειστικά και μόνο για τη φόρτιση της μπαταρίας του εργαλείου το οποίο συνδέει. Αν χρησιμοποιηθεί για άλλες μπαταρίες, αυτές μπορεί να εκραγούν, προκαλώντας τραυματισμό και ζημιές.

- ♦ Μην επιχειρήσετε ποτέ να φορτίσετε μη επαναφορτιζόμενες μπαταρίες.
- ♦ Αν κάποιο καλώδιο φθαρεί, αντικαταστήστε το αμέσως.
- ♦ Μην εκθέτετε τον φορτιστή σε νερό.
- ♦ Μην ανοίγετε τον φορτιστή.
- ♦ Μην επεμβαίνετε στον φορτιστή.

Κατά τη φόρτιση, η μπαταρία πρέπει να βρίσκεται σε καλά αεριζόμενο χώρο.

Ο φορτιστής φέρει τα παρακάτω σύμβολα:



Η βάση φόρτισης φέρει διπλή μόνωση, επομένως δεν απαιτείται σύρμα γείωσης.



Μονωτικός μετασχηματιστής εξασφαλισμένης λειτουργίας Η τροφοδοσία δικτύου είναι ηλεκτρικά διαχωρισμένη από την έξοδο του μετασχηματιστή.



Ο φορτιστής απενεργοποιείται αυτόματα όταν η θερμοκρασία περιβάλλοντος ανέβει υπερβολικά. Κατά συνέπεια, ο φορτιστής να αχρηστεύεται. Η βάση φόρτισης θα πρέπει να αποσυνδεθεί από την πρίζα και να μεταφερθεί σε ένα εξουσιοδοτημένο κέντρο.



Η βάση φόρτισης προορίζεται για χρήση σε εσωτερικούς χώρους μόνο.

Ασφαλής χρήση του ηλεκτρικού ρεύματος



Αυτό το εργαλείο φέρει διπλή μόνωση, επομένως δεν απαιτείται σύρμα γείωσης. Ελέγχετε πάντοτε αν η τάση τροφοδοσίας αντιστοιχεί σε αυτήν που αναγράφεται στην πινακίδα στοιχείων του εργαλείου.

- ♦ Αν το καλώδιο ρεύματος έχει υποστεί φθορά, η αντικατάστασή του πρέπει να γίνει από τον κατασκευαστή ή από ένα εξουσιοδοτημένο κέντρο της Black & Decker, ώστε να μην αποτελέσει κίνδυνο.

Χαρακτηριστικά

Η συσκευή αυτή διαθέτει μερικά ή όλα από τα παρακάτω χαρακτηριστικά:

1. Καλώδια γεφύρωσης
2. Υποδοχή φόρτισης 12 Vdc
3. Υποδοχή παροχής 12 Vdc
4. Μπουτόν κατάστασης μπαταρίας
5. Λαβή μεταφοράς
6. Ενδεικτικές λυχνίες LED κατάστασης μπαταρίας
7. Διακόπτης ON/OFF
8. Διακόπτης on/off LED φωτισμού χώρου
9. Ενδεικτική λυχνία ανάστροφης πολικότητας
10. LED φωτισμού χώρου
11. Οικιακός φορτιστής
12. Προσαρμογέας οχήματος 12 Vdc
13. Χάλκινες δαγκάνες βαρέως τύπου
14. Υποδοχές για δαγκάνες

ΧΡΗΣΗ

Φόρτιση της συσκευής (εικ. Α)

Όταν παραλαμβάνετε τη συσκευή, αυτή είναι μερικώς φορτισμένη.

- ♦ Πριν από την πρώτη χρήση, φορτίστε τη συσκευή για 48 ώρες χρησιμοποιώντας τον οικιακό φορτιστή (11).

Οι μπαταρίες μολύβδου απαιτούν τακτική συντήρηση για να εξασφαλίζεται η πλήρης φόρτιση και η μεγάλη διάρκεια ζωής της μπαταρίας. Όλες οι μπαταρίες με το χρόνο χάνουν ενέργεια λόγω αυτο-εκφόρτισής τους, ενώ αυτό το φαινόμενο επιταχύνεται στις υψηλότερες θερμοκρασίες. Όταν η συσκευή δε χρησιμοποιείται, η Black & Decker συστήνει τη φόρτιση της μπαταρίας τουλάχιστον κάθε 60 ημέρες.

- ♦ Ελέγχετε τη στάθμη φόρτισης της μπαταρίας πιέζοντας το μπουτόν κατάστασης της μπαταρίας (4). Η ένδειξη LED κατάστασης φόρτισης (6) υποδηλώνει τη στάθμη φόρτισης της μπαταρίας. Όταν ανάβει μόνο ένα κόκκινο LED, φορτίστε τη συσκευή.

Σημείωση: Η φόρτιση της μπαταρίας μετά από κάθε χρήση επιμηκύνει τη διάρκεια ζωής της μπαταρίας, ενώ οι συχνές και έντονες εκφορτίσεις μεταξύ φορτίσεων και/ή η υπερφόρτιση μειώνουν τη διάρκεια ζωής της. Η μπαταρία μπορεί να φορτίζεται χρησιμοποιώντας τον οικιακό φορτιστή (11) ή τον προσαρμογέα οχήματος 12 Vdc (12).

Φόρτιση της συσκευής με τον οικιακό φορτιστή (εικ. Α)

Βεβαιωθείτε ότι ο διακόπτης ON/OFF (7) είναι απενεργοποιημένος και το LED φωτισμού χώρου (10) είναι σβηστό κατά τη φόρτιση της συσκευής.

Με την πρόοδο της φόρτισης, οι κόκκινες ενδεικτικές λυχνίες LED ανάβουν η μια μετά την άλλη.

- ♦ Φορτίστε τη συσκευή μέχρι να ανάψει η πράσινη ενδεικτική λυχνία LED με την ένδειξη FULL.
- ♦ Συνεχίστε τη φόρτιση για μια έως δύο ακόμη ώρες.

Σημείωση: Ο οικιακός φορτιστής δεν πρέπει να παραμένει συνδεδεμένος για περισσότερες από 60 ώρες.

- ♦ Όταν ολοκληρωθεί η φόρτιση, αποσυνδέστε τον οικιακό φορτιστή (11) και τοποθετήστε τον σε ασφαλές σημείο.

Φόρτιση της συσκευής με τον προσαρμογέα οχήματος 12 Vdc (εικ. Α)

Βεβαιωθείτε ότι ο διακόπτης ON/OFF (7) είναι απενεργοποιημένος και το LED φωτισμού

χώρου (10) είναι σβηστό κατά τη φόρτιση της συσκευής.

Ο προσαρμογέας οχήματος 12 Vdc (12) δεν παρέχει μειούμενη φόρτιση.

Προειδοποίηση! Κατά τη φόρτιση με τον προσαρμογέα οχήματος 12 Vdc (12):

- ♦ Η διάρκεια της φόρτισης δεν πρέπει να υπερβαίνει τις 4 ώρες το πολύ.
- ♦ Μην αφήνετε τη συσκευή χωρίς επίβλεψη.

Για τη φόρτιση της συσκευής με τον προσαρμογέα οχήματος 12 Vdc (12):

- ♦ Εισάγετε ένα άκρο του προσαρμογέα οχήματος 12 Vdc (12) σε μια υποδοχή αναπήρα 12 Vdc του οχήματος ή του σκάφους.
- ♦ Εισάγετε το άλλο άκρο του προσαρμογέα οχήματος 12 Vdc (12) στην υποδοχή παροχής 12 Vdc (3) στην πρόσοψη της συσκευής.
- ♦ Για να ελέγξετε την κατάσταση φόρτισης της μπαταρίας κατά τη φόρτιση dc, αποσυνδέστε τον προσαρμογέα οχήματος 12 Vdc από την υποδοχή παροχής και πιέστε το μπουτόν κατάστασης μπαταρίας. Παρατηρήστε τις ενδεικτικές λυχνίες LED κατάστασης μπαταρίας. Η διάρκεια της φόρτισης δεν πρέπει να υπερβαίνει τις 3 έως 4 ώρες το πολύ.
- ♦ Όταν ολοκληρωθεί η φόρτιση, αποσυνδέστε τον προσαρμογέα οχήματος 12 Vdc (12) και τοποθετήστε τον σε ασφαλές σημείο.

Χρήση της συσκευής ως στάρτερ μπαταρίας (εικ. Α & Β)

Σημείωση: Οι μπαταρίες σκαφών πρέπει να αφαιρούνται από το σκάφος και να φορτίζονται στη στεριά. Η φόρτιση επάνω στο σκάφος απαιτεί εξοπλισμό ειδικά σχεδιασμένο για χρήση στη θάλασσα.

- ♦ Γυρίστε το κλειδί του κινητήρα του οχήματος στην κλειστή θέση και απενεργοποιήστε όλα τα εξαρτήματα προτού κάνετε οποιαδήποτε σύνδεση.
- ♦ Βεβαιωθείτε ότι ο διακόπτης ON/OFF (7) της συσκευής είναι στη θέση OFF.
- ♦ Η ακόλουθη διαδικασία αφορά συστήματα αρνητικής γείωσης, δηλ. όταν ο αρνητικός πόλος της μπαταρίας συνδέεται με το σασί.
- ♦ Συνδέστε τη θετική (+) κόκκινη δαγκάνα στο θετικό πόλο της μπαταρίας του οχήματος.
- ♦ Συνδέστε την αρνητική (-) μαύρη δαγκάνα στο σασί του οχήματος ή σε ένα σταθερό, μη κινούμενο, μεταλλικό εξάρτημα του οχήματος ή τμήμα του σασί.

Προειδοποίηση! Βεβαιωθείτε ότι τα καλώδια δεν εμπλέκονται με κινούμενους μίαντες ή το βεντιλατέρ.

- ♦ Γυρίστε το διακόπτη ON/OFF (7) της συσκευής στη θέση ON.
- ♦ Ξεκινήστε το όχημα ενεργοποιώντας τη μίζα για 3 έως 6 δευτερόλεπτα κάθε φορά.

Εάν ο κινητήρας δεν ξεκινήσει εντός 6 δευτερολέπτων, αφήστε την εσωτερική μπαταρία της συσκευής να κρυώσει για 3 λεπτά προτού κάνετε και άλλη προσπάθεια.

- ♦ Όταν ξεκινήσει το όχημα, γυρίστε το διακόπτη ON/OFF (7) της συσκευής στη θέση OFF.
- ♦ Αφήστε αναμμένο τον κινητήρα του οχήματος.
- ♦ Πρώτα αποσυνδέστε τη μαύρη (-) δαγκάνα που είναι συνδεδεμένη στον κινητήρα ή το σασί και μετά την κόκκινη (+) δαγκάνα που είναι συνδεδεμένη στο θετικό (+) πόλο της μπαταρίας.
- ♦ Πιέστε προσεκτικά το αρνητικό (μαύρο) καλώδιο γεφύρωσης στο κανάλι αποθήκευσης, ξεκινώντας από το άκρο αντίθετα από τη δαγκάνα.
- ♦ Στερεώστε την αρνητική (μαύρη) δαγκάνα στην υποδοχή για δαγκάνες (14).
- ♦ Πιέστε προσεκτικά το θετικό (κόκκινο) καλώδιο γεφύρωσης στο κανάλι αποθήκευσης, ξεκινώντας από το άκρο αντίθετα από τη δαγκάνα.
- ♦ Στερεώστε τη θετική (κόκκινη) δαγκάνα στην υποδοχή για δαγκάνες (14).
- ♦ Φορτίστε τη συσκευή το συντομότερο δυνατό.

Χρησιμοποιώντας το φορτηγό τροφοδοτικό 12 Vdc (εικ. Α)

Αυτό το φορτηγό τροφοδοτικό μπορεί να χρησιμοποιείται με όλα τα εξαρτήματα 12 Vdc που είναι εφοδιασμένα με αρσενικό βύσμα ονομαστικού ρεύματος μέχρι 5 amps.

Προειδοποίηση! Μην προσπαθήσετε να χρησιμοποιήσετε ή φορτίσετε τη συσκευή ενώ χρησιμοποιείται η υποδοχή παροχής 12 Vdc (3).

- ♦ Σηκώστε το κάλυμμα της υποδοχής παροχής 12 Vdc (3).
- ♦ Εισάγετε το φισ 12 Vdc της συσκευής στην υποδοχή παροχής 12 Vdc (3) στο επάνω μέρος της συσκευής.

Προειδοποίηση! Το φορτίο δεν πρέπει να υπερβαίνει τα 5 Α.

- ♦ Ενεργοποιήστε τη συσκευή και λειτουργήστε την ως συνήθως.

- ♦ Περιοδικά πιέζετε το μπουτόν κατάστασης της μπαταρίας (4) για να ελέγχετε την κατάσταση της εσωτερικής μπαταρίας.

Προειδοποίηση! Βεβαιωθείτε ότι ο διακόπτης ON/OFF (7) της συσκευής είναι στη θέση OFF όταν χρησιμοποιείτε την υποδοχή παροχής 12 Vdc (3) της συσκευής.

Προειδοποίηση! Μη χρησιμοποιείτε συσκευές που 'τραβάνε' περισσότερα από 5 amp.

Προειδοποίηση! Ποτέ μην εισάγετε έναν αναπτήρα στην υποδοχή παροχής 12 Vdc (3).

Χρήση του LED φωτισμού χώρου (εικ. Α)

Το LED φωτισμού χώρου (10) λειτουργεί μέχρι 114 ώρες με πλήρη φόρτιση. Η διάρκεια ζωής του LED φωτισμού χώρου είναι 100.000 ώρες.

- ♦ Σπρώξτε το διακόπτη on/off του LED φωτισμού χώρου (8), ο οποίος βρίσκεται στον επάνω πίνακα της συσκευής, για να ανάψετε το LED φωτισμού χώρου (10).
- ♦ Σπρώξτε το διακόπτη on/off του LED φωτισμού χώρου (8), ο οποίος βρίσκεται στον επάνω πίνακα της συσκευής, για να σβήσετε το LED φωτισμού χώρου (10).

Βεβαιωθείτε ότι το LED φωτισμού χώρου δεν ανάβει κατά τη φόρτιση ή την αποθήκευση της συσκευής.

ΣΥΝΤΗΡΗΣΗ

Αυτό το εργαλείο της Black & Decker έχει σχεδιαστεί έτσι ώστε να λειτουργεί για μεγάλο χρονικό διάστημα με την ελάχιστη δυνατή συντήρηση. Η αδιάλειπτη και ικανοποιητική λειτουργία του εργαλείου εξαρτάται από τη φροντίδα και τον τακτικό καθαρισμό.

Προειδοποίηση! Πριν πραγματοποιήσετε οποιοδήποτε συντήρηση ή καθαρισμό πάνω στη συσκευή, βγάλτε τη συσκευή από την πρίζα.

- ♦ Από καιρό σε καιρό σκουπίζετε τη συσκευή με ένα υγρό πανί. Μη χρησιμοποιείτε λειαντικά ή υγρά καθαρισμού που περιέχουν διαλυτικά. Μην βουτάτε τη συσκευή μέσα σε νερό.

Αντικατάσταση της ασφάλειας στο καλώδιο τροφοδοσίας DC από όχημα

- ♦ Αφαιρέστε το χρυσαφί καπάκι περιστρεφοντάς το προς τα αριστερά.
- ♦ Αφαιρέστε την ελαστική ροδέλα, τον κεντρικό άξονα και το ελατήριο.
- ♦ Αφαιρέστε την ασφάλεια.
- ♦ Τοποθετήστε μια καινούργια ασφάλεια του ίδιου μεγέθους και τύπου (8 Α).

- ♦ Τοποθετήστε τον κεντρικό άξονα, το ελατήριο και την ελαστική ροδέλα.
- ♦ Τοποθετήστε το χρυσαφί καπάκι και περιστρέψτε το προς τα δεξιά.

Προστασία του περιβάλλοντος



Εάν κάποια μέρα αποφασίσετε ότι η συσκευή σας χρειάζεται αντικατάσταση ή ότι δεν την χρειάζεστε άλλο, σκεφθείτε την προστασία του περιβάλλοντος. Τα κέντρα επισκευών της Black & Decker παραλαμβάνουν παλαιά εργαλεία Black & Decker και φροντίζουν για την απόρριψή τους με ασφαλή για το περιβάλλον τρόπο.



Η ανεξάρτητη συλλογή των μεταχειρισμένων προϊόντων και των υλικών συσκευασίας δίνει τη δυνατότητα ανακύκλωσης και επαναχρησιμοποίησης των υλικών. Με την επαναχρησιμοποίηση των ανακυκλωμένων υλικών αποτρέπεται η μόλυνση του περιβάλλοντος και μειώνεται η ζήτηση πρώτων υλών.

Οι κανονισμοί που ισχύουν στην περιοχή σας ενδέχεται να προβλέπουν την επιλεκτική περισυλλογή των ηλεκτρικών συσκευών που προέρχονται από νοικοκυριά σε κρατικές εγκαταστάσεις ή από τον έμπορο όταν αγοράσετε ένα καινούργιο προϊόν.

Η Black & Decker δίνει τη δυνατότητα ανακύκλωσης των προϊόντων της που έχουν συμπληρώσει τη διάρκεια ζωής τους. Για να χρησιμοποιήσετε αυτήν την υπηρεσία, επιστρέψτε το προϊόν σας σε οποιοδήποτε εξουσιοδοτημένο κέντρο επισκευών, όπου θα το παραλάβουν εκ μέρους μας.

Ενημερωθείτε για το πλησιέστερο εξουσιοδοτημένο κέντρο επισκευών της περιοχής σας, επικοινωνώντας με τα γραφεία της Black & Decker στη διεύθυνση που αναγράφεται στο εγχειρίδιο. Επίσης, για να πληροφορηθείτε για τα εξουσιοδοτημένα κέντρα επισκευών της Black & Decker και τους αρμόδιους των υπηρεσιών που παρέχονται μετά την πώληση, μπορείτε να ανατρέξετε στο Διαδίκτυο, στη διεύθυνση: www.2helpU.com.



Οι μπαταρίες Black & Decker μπορούν να επαναφορτιστούν πολλές φορές. Στο τέλος της ωφέλιμης ζωής τους, απορρίψτε τις μπαταρίες με την πρέπουσα φροντίδα για το περιβάλλον μας:

- ♦ Μην απορρίπτετε τις μπαταρίες στη φωτιά, επειδή μπορεί να προκληθεί έκρηξη.
- ♦ Οι μπαταρίες μολύβδου (Pb) είναι ανακυκλώσιμες. Η απόρριψή τους δεν πρέπει να γίνεται στα οικιακά απορρίμματα. Εάν δεν έχετε πρόσβαση σε κάποιο χώρο ανακύκλωσης προϊόντων, η μπαταρία θα πρέπει να αφαιρεθεί όπως περιγράφεται παρακάτω και να απορριφθεί σύμφωνα με τους κανονισμούς που ισχύουν στην περιοχή σας.
- ♦ Μην βραχυκυκλώνετε τους ακροδέκτες της μπαταρίας.
- ♦ Να θυμάστε ότι η μπαταρία είναι βαριά.
- ♦ Αν είναι δυνατό, χρησιμοποιήστε τη συσκευή μέχρι να εξαντληθεί τελείως η μπαταρία.

Αν χρειάζεστε βοήθεια για την αφαίρεση των μπαταριών, ανατρέξτε στο αναλυτικό διάγραμμα στο πίσω μέρος αυτού του εγχειριδίου.

Τοποθετήστε την μπαταρία σε κατάλληλη συσκευασία για να εξασφαλίσετε ότι οι ακροδέκτες δεν μπορούν να βραχυκυκλώσουν.

Πηγαίνετε την μπαταρία σε έναν εξουσιοδοτημένο αντιπρόσωπο επισκευών ή στον πλησιέστερο σταθμό ανακύκλωσης της περιοχής σας. Οι μπαταρίες που συλλέγονται εκεί, θα ανακυκλωθούν ή θα απορριφθούν με τον κατάλληλο τρόπο.

Τεχνικά χαρακτηριστικά

		BDV012
Μπαταρία		Μολύβδου κλειστού τύπου 12 V
	Τύπος	19 Ah
Έξοδος (στιγμιαία)	A	450
Έξοδος (σταθερή για 5 δευτερόλεπτα)	A	300
Βάρος	kg	7.1
Φορτιστής μπαταριών		
Είσοδος	Vac	230
Χρόνος φόρτισης κατά προσέγγιση	h	48
Βάρος	kg	0.2

Δήλωση συμμόρφωσης με την Ευρωπαϊκή Κοινότητα

BDV012

Η Black & Decker δηλώνει ότι τα προϊόντα αυτά συμμορφώνονται με:

Πρότυπα & Νομοθεσία.

95/54/EC, 73/23/EOK, 89/336/EOK EN60335, EN55014, EN61000



Kevin Hewitt
Διευθυντής
Εξυπηρέτησης Πελατών
Spennymoor, County
Durham
DL16 6JG,
Αγγλία Ηνωμένο Βασίλειο
31-09-2006

Εγγύηση

Η Black & Decker είναι σίγουρη για την ποιότητα των προϊόντων της και παρέχει σημαντική εγγύηση. Η παρούσα γραπτή εγγύηση αποτελεί πρόσθετο δικαίωμά σας και δεν ζημιώνει τα νόμιμα δικαιώματά σας. Η εγγύηση ισχύει εντός της επικράτειας των Κρατών Μελών της Ευρωπαϊκής Ένωσης και της Ευρωπαϊκής Ζώνης Ελευθέρων Συναλλαγών.

Σε περίπτωση που κάποιο προϊόν της Black & Decker παρουσιάσει βλάβη εξαιτίας ελαττωματικών υλικών, ποιότητας εργασίας ή έλλειψης συμφωνίας με τις προδιαγραφές εντός 24 μηνών από την ημερομηνία αγοράς, η Black & Decker εγγυάται την αντικατάσταση των ελαττωματικών τμημάτων, την επισκευή

προϊόντων που έχουν υποστεί εύλογη φθορά λόγω χρήσης ή την αντικατάσταση των προϊόντων προκειμένου να εξασφαλίσει την ελάχιστη ενόχληση στους πελάτες της, εκτός εάν:

- ♦ Το προϊόν έχει χρησιμοποιηθεί σε εργασιακό, επαγγελματικό περιβάλλον ή αν έχει ενοικιαστεί.
- ♦ Έχει γίνει εσφαλμένη χρήση του προϊόντος ή έχει παραμεληθεί.
- ♦ Το προϊόν έχει υποστεί βλάβη από άλλα αντικείμενα, από ουσίες ή λόγω ατυχήματος.
- ♦ Έχει γίνει προσπάθεια επισκευής από μη εξουσιοδοτημένα κέντρα επισκευών ή από προσωπικό που δεν ανήκει στο προσωπικό της Black & Decker.

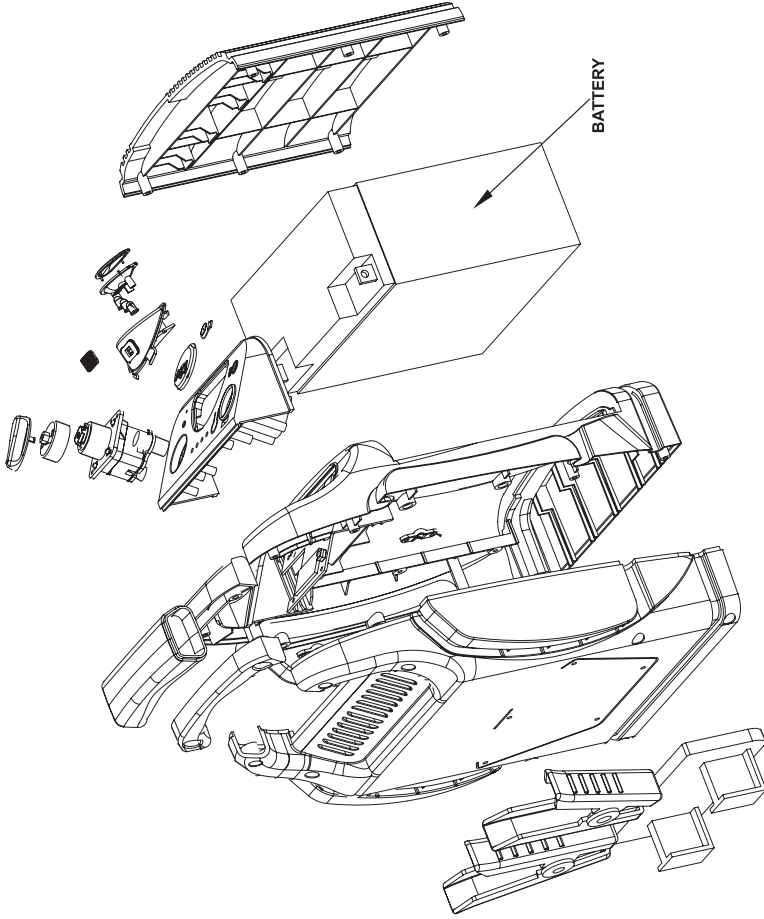
Για να ισχύσει η εγγύηση, πρέπει να υποβάλετε απόδειξη αγοράς στον πωλητή ή το εξουσιοδοτημένο κέντρο επισκευών. Ενημερωθείτε για το πλησιέστερο εξουσιοδοτημένο κέντρο επισκευών της περιοχής σας, επικοινωνώντας με τα γραφεία της Black & Decker στη διεύθυνση που αναγράφεται στο εγχειρίδιο. Επίσης, για να πληροφορηθείτε για τα εξουσιοδοτημένα κέντρα επισκευών της Black & Decker και τους αρμόδιους των υπηρεσιών που παρέχονται μετά την πώληση, μπορείτε να ανατρέξετε στο Διαδίκτυο, στη διεύθυνση:

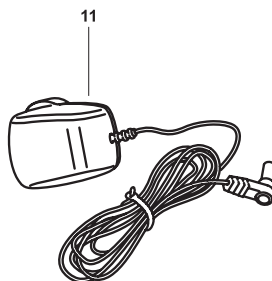
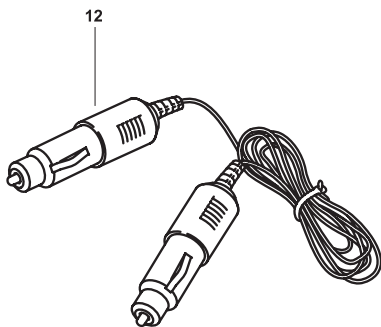
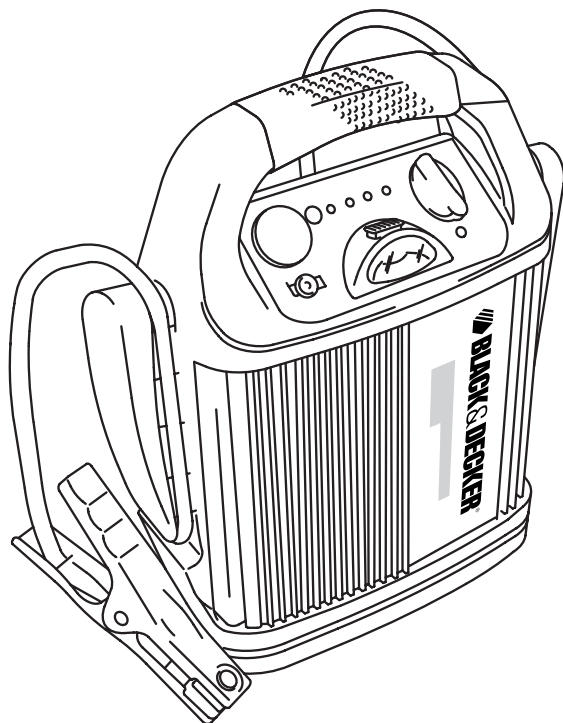
www.2helpU.com

Παρακαλούμε επισκεφθείτε την ιστοσελίδα μας **www.blackanddecker.eu** για να καταχωρήσετε το νέο σας προϊόν Black & Decker και για να ενημερώνεστε για τα νέα προϊόντα και τις ειδικές προσφορές. Περισσότερες πληροφορίες σχετικά με τη μάρκα Black & Decker και τη σειρά των προϊόντων μας θα βρείτε στη διεύθυνση **www.blackanddecker.eu**.

BDV012

TYP.
1





Australia	Black & Decker (Australia) Pty. Ltd. 20 Fletcher Road, Mooroolbark, Victoria, 3138	Tel. 03-8720 5100 Fax 03-9727 5940
België/Belgique	Black & Decker (Belgium) N.V. Campus Noord, Schaliënhoevedreef 20E 2800 Mechelen	Tel. 015 - 47 92 11 Fax 015 - 47 92 10
Danmark	Black & Decker Sluseholmen 2-4, 2450 København SV Internet: www.blackanddecker.dk	Tel. 70 20 15 30 Fax 36 94 49 01
Deutschland	Black & Decker GmbH Black & Decker Str. 40, D - 65510 Idstein	Tel. 06126/21 - 0 Fax 06126/21 29 80
Ελλάδα	Black & Decker (Ελλάς) A.E. Στράβωνος 7 & Λεωφ. Βουλιαγμένης 159 166 74 Γλυφάδα - Αθήνα	Τηλ. 210 8981616 Τηλ. 210 8982630 Φαξ Service 210 8983285
España	Black & Decker Ibérica, S.C.A. Parque de Negocios "Mas Blau" Edificio Muntadas, c/Bergadá, 1, Of. A6 08820 El Prat de Llobregat (Barcelona)	Tel. 934 797 400 Fax 934 797 419
France	Black & Decker (France) S.A.S. B.P. 21, 69571 Dardilly Cédex	Tel. 04 72 20 39 20 Fax 04 72 20 39 00
Helvetia	ROFO AG Gewerbezone Seeblick 3213 Kleinbödingen	Tel. 026-6749391 Fax 026-6749394
Italia	Black & Decker Italia SpA Viale Elvezia 2 20052 Monza (MI)	Tel. 039-23871 Fax 039-2387592/2387594 Numero verde 800-213935
Nederland	Black & Decker Benelux Joulehof 12, 4622 RG Bergen op Zoom	Tel. 0164 - 283000 Fax 0164 - 283100
New Zealand	Black & Decker 81 Hugo Johnston Drive Penrose, Auckland, New Zealand	Tel. 09 579 7600 Fax 09 579 8200
Norge	Black & Decker (Norge) A/S Postboks 4814, Nydalen, 0422 Oslo Internet: www.blackanddecker.no	Tlf. 22 90 99 00 Fax 22 90 99 01
Österreich	Black & Decker Vertriebsges.m.b.H Erlaaerstraße 165, 1231 Wien	Tel. 01 66116-0 Fax 01 66116-14
Portugal	Black & Decker Rua Egas Moniz 173 S. João do Estoril 2766-651 Estoril	Tel. 214667500 Fax 214667575
Suomi	Black & Decker Oy Keilasatama 3, 02150 Espoo Black & Decker Oy, Kägelhamnen 3, 02150 Esbo	Puh.: 010 400 430 Faksi: (09) 2510 7100 Tel: 010 400 430 Fax: (09) 2510 7100
Sverige	Black & Decker AB Fabriksg. 7, 412 50 Göteborg	Tel: 031-68 60 60 Fax: 031-68 60 80
Türkiye	İntratek Mühendislik ve Dış Tic. A.Ş. Ortaklar Cad. No:19/2 80290 Mecidiyeköy / İstanbul	Tel. 0212 211 22 10 Faks 0212 266 33 03
United Kingdom	Black & Decker 210 Bath Road Slough, Berkshire SL1 3YD	Tel. 01753 511234 Fax 01753 551155 Helpline 01753 574277
Middle East & Africa	Black & Decker (Overseas) A.G. PB 5420, Dubai, United Arab Emirates	Tel. +971 4 2826464 Fax +971 4 2826466

Dealer address
Händleradresse
Cachet du revendeur
Indirizzo del rivenditore
Adres van de dealer
Dirección del detallista
Morada do revendedor
Återförsäljarens adress
Forhandlerens adresse
Forhandler adresse
Jälleemmyjiän osoite
Διεύθυνση αντιπροσώπου

◆ Name ◆ Nom ◆ Nome
◆ Name ◆ Nombre ◆ Nome ◆ Namn
◆ Navn ◆ Navn ◆ Nimi ◆ Oνομα:

◆ Address ◆ Adresse ◆ Adresse ◆ Indirizzo ◆
Adres ◆ Dirección ◆ Morada ◆ Address ◆
Adresse ◆ Adresse ◆ Osoite ◆ Διεύθυνση:

◆ Town ◆ Ort ◆ Ville ◆ Città ◆ Plaats
◆ Ciudad ◆ Localidade ◆ Ort ◆ By ◆ By
◆ Paikkakunta ◆ Πόλη:

◆ Postal code ◆ Postleitzahl ◆ Code postal ◆
Codice postale ◆ Postcode
◆ Código ◆ Código postal ◆ Postnr.
◆ Postnr. ◆ Postnr. ◆ Postnummero
◆ Κωδικός

◆ Is this tool a gift? ◆ Ist dieses Gerät ein
Geschenk? ◆ S'agit-il d'un cadeau? ◆ Si tratta
di un regalo? ◆ Kreeg u de machine als cadeau?
◆ ¿Ha recibido usted esta herramienta como
regalo? ◆ Recebeu esta ferramenta como
presente? ◆ Är verktyget en gåva?
◆ Er verktoyet en gave? ◆ Er verktojet en gave?
◆ Onko kone lahja? ◆ Το εργαλείο είναι δώρο?

◆ Yes ◆ Ja ◆ Oui ◆ Si ◆ Ja ◆ Si
◆ Sim ◆ Ja ◆ Ja ◆ Ja ◆ Kyllä ◆ Nαι

◆ No ◆ Nein ◆ Non ◆ No ◆ Nee
◆ No ◆ Não ◆ Nej ◆ Nei ◆ Nej
◆ Ei ◆ Oχι

◆ Is this tool your first purchase? ◆ Ist dieses
Gerät ein Erstkauf? ◆ Est-ce un 1er achat? ◆
Questo prodotto è il suo primo acquisto? ◆ Is
deze machine uw eerste aankoop? ◆ ¿Es esta
herramienta la primera de este tipo?
◆ Esta ferramenta é a sua primeira compra? ◆
Är detta ditt första B&D-verktyg? ◆ Er dette ditt
første B&D verktoy? ◆ Er dette ditt første B&D
verktøj? ◆ Onko tämä ensimmäinen B&D-

Date of purchase
Kaufdatum
Date d'achat
Data d'acquisto
Aankoopdatum
Fecha de compra
Data de compra
Inkõpsdatum
Imkjõpsdato
Indkøbsdato
Ostopaivä
Ημερομηνία αγοράς

koneesi? ◆ Είναι το εργαλείο αυτό η
πρώτη σας αγορά?

◆ Yes ◆ Ja ◆ Oui ◆ Si ◆ Ja ◆ Si
◆ Sim ◆ Ja ◆ Ja ◆ Ja ◆ Kyllä ◆ Nαι

◆ No ◆ Nein ◆ Non ◆ No ◆ Nee
◆ No ◆ Não ◆ Nej ◆ Nei ◆ Nej
◆ Ei ◆ Oχι

◆ Dealer address ◆ Händleradresse
◆ Cachet du revendeur ◆ Indirizzo del
rivenditore ◆ Adres van de dealer
◆ Dirección del detallista ◆ Morada do
revendedor ◆ Återförsäljarens adress
◆ Forhandlerens adresse ◆ Forhandler adresse
◆ Jälleemmyjiän osoite
◆ Διεύθυνση αντιπροσώπου

Cat. no.:



- ◆ GUARANTEE CARD**
- ◆ GARANTIEKART**
- ◆ GARANTIEKARTE**
- ◆ CARTE DE GARANTIE**
- ◆ TAGLIANDO DI GARANZIA**
- ◆ GARANTIEKAART**
- ◆ TARJETA DE GARANTIA**
- ◆ CARTÃO DE GARANTIA**
- ◆ GARANTIBEVIS**
- ◆ GARANTI KORT**
- ◆ GARANTI KORT**
- ◆ TAKUKUKORTTI**
- ◆ KAPTA EFTYHSHZ**



English Please complete this section immediately after the purchase of your tool and send it to Black & Decker in your country. If you live in Australia or New Zealand, please register by using the alternative

guarantee card supplied.

Deutsch Bitte schneiden Sie diesen Abschnitt ab, stecken ihn in einen frankierten Umschlag und schicken ihn an die Black & Decker Adresse Ihres Landes.

Français Découpez cette partie et envoyez-la sous enveloppe timbrée à l'adresse de Black & Decker dans votre pays, ceci immédiatement après votre achat.

Italiano Per favore ritagliate questa parte, inseritela in una busta con francobollo e spedite la subito dopo l'acquisto del prodotto all'indirizzo della Black & Decker nella vostra nazione.

Nederlands Knip dit gedeelte uit en zend het direct na aankoop in een gefrankeerde, geadresseerde envelop naar het adres van Black & Decker in uw land.

Español Después de haber comprado su herramienta envíe usted, por favor, esta tarjeta a la central de Black & Decker en su país.

Português

Por favor, recorte esta parte, coloque-a num envelope selado e endereçado e envie-o logo após a compra do seu produto para o endereço da Black & Decker do seu país.

Svenska Var vänlig klipp ur denna del och sänd den i ett frankerat kuvert till Black & Deckers adress i Ditt land.

Norsk Vennligst klipp ut denne delen umiddelbart etter du har pakket ut ditt produkt og legg det i en adressert konvolutt til Black & Decker (Norge) A/S.

Dansk Venligst klip denne del ud og send frankeret til Black & Decker i dit land.

Suomi Leikkaa irti tämä osa, laita se kuoreen ja postita kuori paikalliseen Black & Deckers osoitteeseen.

Ελληνικά Πρακτικά κόψτε αυτό το κομμάτι και τοχυλοποιήστε το μετρώς μετά την αγορά του προϊόντος σας στην διεύθυνση της Black & Decker στην Ελλάδα.