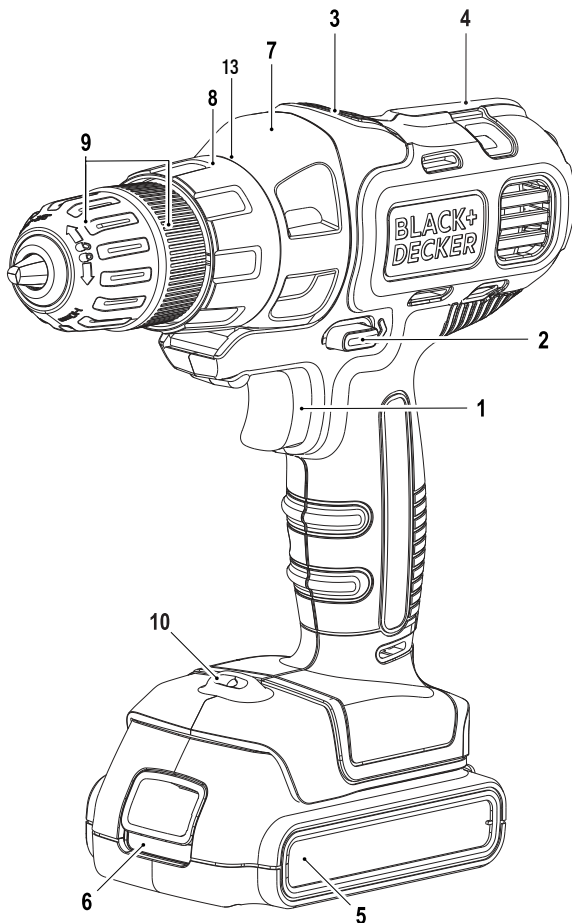


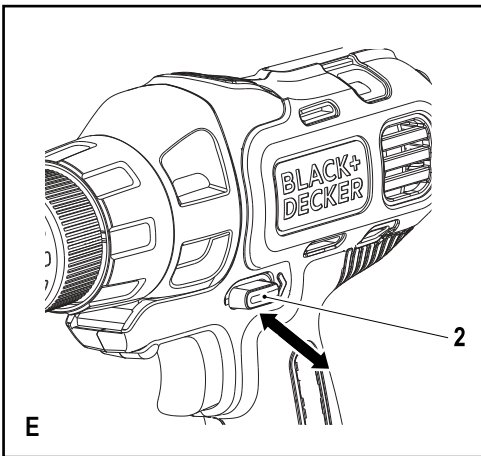
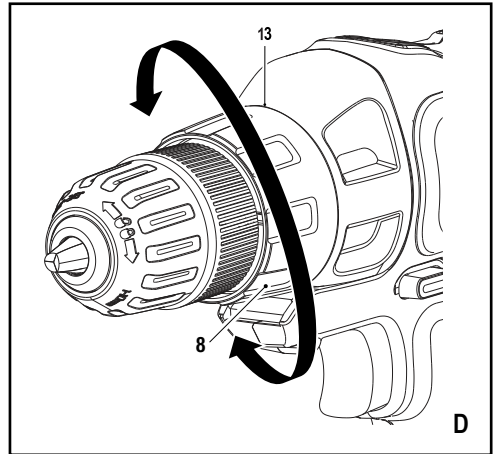
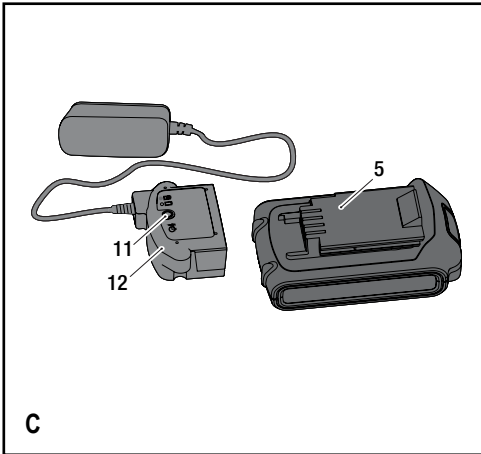
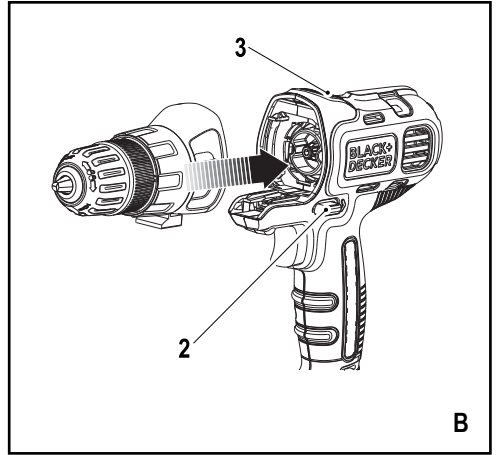
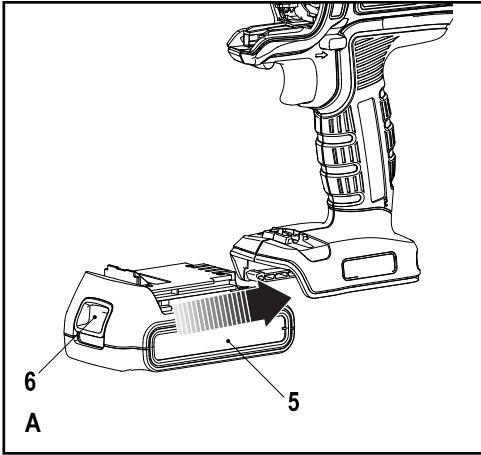
# BLACK+ DECKER™



**EVO184**

English 4  
简体中文 10





## EVO184 MULTI TOOL

### Technical data

Multi Tool		EVO184
Voltage	V	18
Drill / Screwdriver		EDD183
No-load speed	/min	0-800
Max.torque	Nm	22
Chuck Capacity	mm	10
Weight	Kg	1.3
Steel	mm	10
Wood	mm	25

### Charger

Input Voltage	V	220
Output Voltage	V	8-20
Current		400mA
Approx. charge time		4Hours

### Battery

Battery		BL1518
Voltage	V	18
Capacity	Ah	1.5
Type		Li-Ion

### Intended use

Your Black + Decker multi-purpose tool has been designed for a wide range of DIY applications.

Drill/Screwdriver Head (EDD183), Inflator Head(EIF183), Sander Head(ESH183) and Jig Saw Head(EJS183) are included with this tool.

This instruction manual described the intend use of the tool and the Dill/Screwdriver Head(EDD183).

The intend use of Inflator Head(EIF183), Sander Head(ESH183) and Jig Saw Head(EJS183) is described in the other instruction manual.

### Safety instructions

#### General power tool safety warnings



**Warning!** Read all safety warnings and all instructions. Failure to follow the warnings and instructions listed below may result in electric shock, fire and/or serious injury.

#### Save all warnings and instructions for future reference.

The term "power tool" in the warnings refers to your mains operated (corded) power tool or battery operated (cordless) power tool.

#### 1. Work area safety

- a. **Keep work area clean and well lit.** Cluttered or dark areas invite accidents.
- b. **Do not operate power tools in explosive atmospheres, such as in the presence of flammable liquids, gases or dust.** Power tools create sparks which may ignite the dust or fumes.
- c. **Keep children and bystanders away while operating a power tool.** Distractions can cause you to lose control.

#### 2. Electrical safety

- a. **Power tool plugs must match the outlet. Never modify the plug in any way. Do not use any adapter plugs with earthed (grounded) power tools.** Unmodified plugs and matching outlets will reduce risk of electric shock.
- b. **Avoid body contact with earthed or grounded surfaces such as pipes, radiators, ranges and refrigerators.** There is an increased risk of electric shock if your body is earthed or grounded.
- c. **Do not expose power tools to rain or wet conditions.** Water entering a power tool will increase the risk of electric shock.
- d. **Do not abuse the cord. Never use the cord for carrying, pulling or unplugging the power tool. Keep cord away from heat, oil, sharp edges or moving parts.** Damaged or entangled cords increase the risk of electric shock.

- e. **When operating a power tool outdoors, use an extension cord suitable for outdoor use.** Use of a cord suitable for outdoor use reduces the risk of electric shock.
- f. **If operating a power tool in a damp location is unavoidable, use a residual current device (RCD) protected supply.** Use of an RCD reduces the risk of electric shock.
- 3. Personal safety**
- a. **Stay alert, watch what you are doing and use common sense when operating a power tool. Do not use a power tool while you are tired or under the influence of drugs, alcohol or medication.** A moment of inattention while operating power tools may result in serious personal injury.
- b. **Use personal protective equipment. Always wear eye protection.** Protective equipment such as dust mask, non-skid safety shoes, hard hat, or hearing protection used for appropriate conditions will reduce personal injuries.
- c. **Prevent unintentional starting. Ensure the switch is in the off-position before connecting to power source and/or battery pack, picking up or carrying the tool.** Carrying power tools with your finger on the switch or energising power tools that have the switch on invites accidents.
- d. **Remove any adjusting key or wrench before turning the power tool on.** A wrench or a key left attached to a rotating part of the power tool may result in personal injury.
- e. **Do not overreach. Keep proper footing and balance at all times.** This enables better control of the power tool in unexpected situations.
- f. **Dress properly. Do not wear loose clothing or jewellery. Keep your hair, clothing and gloves away from moving parts.** Loose clothes, jewellery or long hair can be caught in moving parts.
- g. **If devices are provided for the connection of dust extraction and collection facilities, ensure these are connected and properly used.** Use of dust collection can reduce dust-related hazards.
- 4. Power tool use and care**
- a. **Do not force the power tool. Use the correct power tool for your application.** The correct power tool will do the job better and safer at the rate for which it was designed.
- b. **Do not use the power tool if the switch does not turn it on and off.** Any power tool that cannot be controlled with the switch is dangerous and must be repaired.
- c. **Disconnect the plug from the power source and/or the battery pack from the power tool before making any adjustments, changing accessories, or storing power tools.** Such preventive safety measures reduce the risk of starting the power tool accidentally.
- d. **Store idle power tools out of the reach of children and do not allow persons unfamiliar with the power tool or these instructions to operate the power tool.** Power tools are dangerous in the hands of untrained users.
- e. **Maintain power tools. Check for misalignment or binding of moving parts, breakage of parts and any other condition that may affect the power tools operation. If damaged, have the power tool repaired before use.** Many accidents are caused by poorly maintained power tools.
- f. **Keep cutting tools sharp and clean.** Properly maintained cutting tools with sharp cutting edges are less likely to bind and are easier to control.
- g. **Use the power tool, accessories and tool bits etc. in accordance with these instructions, taking into account the working conditions and the work to be performed.** Use of the power tool for operations different from those intended could result in a hazardous situation.
- 5. Battery tool use and care**
- a. **Recharge only with the charger specified by the manufacturer.** A charger that is suitable for one type of battery pack may create a risk of fire when used with another battery pack.
- b. **Use power tools only with specifically designated battery packs.** Use of any other battery packs may create a risk of injury and fire.
- c. **When battery pack is not in use, keep it away from other metal objects, like paper clips, coins, keys, nails, screws, or other small metal objects, that can make a connection from one terminal to another.** Shorting the battery terminals together may cause burns or a fire.
- d. **Under abusive conditions, liquid may be ejected from the battery; avoid contact. If contact accidentally occurs, flush with water. If liquid contacts eyes, additionally seek medical help.** Liquid ejected from the battery may cause irritation or burns.
- 6. Service**
- a. **Have your power tool serviced by a qualified repair person using only identical replacement parts.** This will ensure that the safety of the power tool is maintained.

## Additional power tool safety warnings



**Warning!** Additional safety warnings for drills and impact drills

- ◆ **Wear ear protectors with impact drills.** Exposure to noise can cause hearing loss.
- ◆ **Use auxiliary handles supplied with the tool.** Loss of control can cause personal injury.
- ◆ **Hold power tool by insulated gripping surfaces when performing an operation where the cutting accessory may contact hidden wiring.** Cutting accessory contacting a "live" wire may make exposed metal parts of the power tool "live" and could give the operator an electric shock
- ◆ **Hold power tool by insulated gripping surfaces when performing an operation where the fastener may contact hidden wiring.** Fasteners contacting a "live" wire may make exposed metal parts of the power tool "live" and could give the operator an electric shock.
- ◆ Never use a chisel accessory in rotary mode. The accessory will bind in the material and rotate the drill.
- ◆ Use clamps or another practical way to secure and support the workpiece to a stable platform. Holding the work by hand or against your body leaves it unstable and may lead to loss of control.
- ◆ Before drilling into walls, floors or ceilings, check for the location of wiring and pipes.
- ◆ Avoid touching the tip of a drill bit just after drilling, as it may be hot.
- ◆ The intended use is described in this instruction manual. The use of any accessory or attachment or performance of any operation with this tool other than those recommended in this instruction manual may present a risk of personal injury and/or damage to property.

## Safety of others

- ◆ This appliance is not intended for use by persons (including children) with reduced physical, sensory or mental capabilities, or lack of experience and knowledge, unless they have been given supervision or instruction concerning use of the appliance by a person responsible for their safety.
- ◆ Children should be supervised to ensure that they do not play with the appliance.

## Residual risks.

Additional residual risks may arise when using the tool which may not be included in the enclosed safety warnings. These risks can arise from misuse, prolonged use etc.

Even with the application of the relevant safety regulations and the implementation of safety devices, certain residual risks can not be avoided. These include:

- ◆ Injuries caused by touching any rotating/moving parts.
- ◆ Injuries caused when changing any parts, blades or accessories.
- ◆ Injuries caused by prolonged use of a tool. When using any tool for prolonged periods ensure you take regular breaks.
- ◆ Impairment of hearing.
- ◆ Health hazards caused by breathing dust developed when using your tool (example:- working with wood, especially oak, beech and MDF.)

## Labels on tool

The following pictograms are shown on the tool:



**Warning!** To reduce the risk of injury, the user must read the instruction manual.

## Additional safety instructions for batteries and chargers

### Batteries

- ◆ Never attempt to open for any reason.
- ◆ Do not expose the battery to water.
- ◆ Do not store in locations where the temperature may exceed 40 °C.
- ◆ Charge only at ambient temperatures between 10 °C and 40 °C.
- ◆ Charge only using the charger provided with the tool.
- ◆ When disposing of batteries, follow the instructions given in the section "Protecting the environment".



Do not attempt to charge damaged batteries.

### Chargers

- ◆ Use your Black + Decker charger only to charge the battery in the tool with which it was supplied. Other batteries could burst, causing personal injury and damage.
- ◆ Never attempt to charge non-rechargeable batteries.
- ◆ Have defective cords replaced immediately.
- ◆ Do not expose the charger to water.
- ◆ Do not open the charger.
- ◆ Do not probe the charger.



The charger is intended for indoor use only.



Read the instruction manual before use.

## Electrical safety



Your charger is double insulated; therefore no earth wire is required. Always check that the mains voltage corresponds to the voltage on the rating plate. Never attempt to replace the charger unit with a regular mains plug.

- ◆ If the supply cord is damaged, it must be replaced by the manufacturer or an authorised Black + Decker Service Centre in order to avoid a hazard.

## Features

This tool includes some or all of the following features.

1. Variable speed switch
2. Forward/reverse slider
3. Head release button
4. Bit holder
5. Battery
6. Battery release button
7. Drill/screwdriver head
8. Torque adjustment collar
9. Chuck
10. LED work light
11. Charging indicator
12. Charger
13. Clutch marking

## Assembly

**Warning!** Before assembly, remove the battery from the tool.

### Fitting and removing the battery (fig. A)

- ◆ To fit the battery (5), line it up with the receptacle on the tool. Slide the battery into the receptacle and push until the battery snaps into place.
- ◆ To remove the battery, push the release button (6) while at the same time pulling the battery out of the receptacle.

### Fitting and removing tool heads (fig. B)

**Warning!** Care must be taken when fitting and removing heads. Moving parts may become hot during use.

- ◆ Lock the tool by setting the forward/reverse slider (2) to the centre position.
- ◆ To remove a tool head, depress the head release button (3) and take the head off the tool.
- ◆ To fit a tool head, line it up with the tool as shown and push it onto the tool until it snaps into place.

### Fitting and removing a drill bit or screwdriver bit

The drill/screwdriver head is fitted with a keyless chuck to allow for an easy exchange of bits.

- ◆ Lock the tool by setting the forward/reverse slider (2) to the centre position.

- ◆ Open the chuck (9) by turning the front part clockwise with one hand while holding the rear part with the other.
- ◆ Insert the bit shaft into the chuck (9).
- ◆ Firmly tighten the chuck (9) by turning the front part anti-clockwise with one hand while holding the rear part with the other.
- ◆ To remove the screwdriver bit from the bit holder, lift the bit from the recess.
- ◆ To store the screwdriver bit, firmly push it into the holder.

## Use

**Warning!** Let the tool work at its own pace. Do not overload.

**Warning!** Before drilling into walls, floors or ceilings, check for the location of wiring and pipes.

### Charging the battery (fig. C)

The battery needs to be charged before first use and whenever it fails to produce sufficient power on jobs that were easily done before. The battery may become warm while charging; this is normal and does not indicate a problem.

**Warning!** Do not charge the battery at ambient temperatures below 10 °C or above 40 °C. Recommended charging temperature: approx. 24 °C.

**Note: The charger will not charge a battery if the cell temperature is below approximately 0 °C or above 40 °C. The battery should be left in the charger and the charger will begin to charge automatically when the cell temperature warms up or cools down.**

- ◆ To charge the battery (5), insert it into the charger (12). The battery will only fit into the charger in one way. Do not force. Be sure that the battery is fully seated in the charger.

- ◆ Plug in the charger and switch on at the mains.

The charging indicator (11) will flash green continuously (slowly).

The charge is complete when the charging indicator (11) lights green continuously. The charger and the battery can be left connected indefinitely with the LED illuminated. The LED will change to flashing green (charging) state as the charger occasionally tops off the battery charge. The charging indicator (11) will be lit as long as the battery is connected to the plugged-in charger.

- ◆ Charge discharged batteries within 1 week. Battery life will be greatly diminished if stored in a discharged state.

### Leaving the battery in the charger

The charger and battery pack can be left connected with the LED glowing indefinitely. The charger will keep the battery pack fresh and fully charged.

### Charger diagnostics

If the charger detects a weak or damaged battery, the charging indicator (11) will flash red at a fast rate. Proceed as follows:

- ◆ Re-insert the battery (5).

- ◆ If the charging indicators continues flashing red at a fast rate, use a different battery to determine if the charging process works properly.
- ◆ If the replaced battery charges correctly, the original battery is defective and should be returned to a service centre for recycling.
- ◆ If the new battery gives the same indication as the original battery, take the charger to be tested at an authorised services centre.

**Note: It may take as long as 60 minutes to determine that the battery is defective. If the battery is too hot or too cold, the LED will alternately blink red, fast and slow, one flash at each speed and repeat.**

### Selecting the torque or drill position (fig. D)

This tool is fitted with a collar to set the torque for tightening screws.

- ◆ For drilling, set the collar (8) to the drilling position by aligning the symbol with the marking (13).
- ◆ For screwdriving, set the collar to the desired setting.
- ◆ If you do not yet know the appropriate setting, proceed as follows:
  - ◆ Set the collar (8) to position 1.
  - ◆ Tighten the first screw.
  - ◆ If the clutch ratchets before the desired result is achieved, increase the collar setting and continue tightening the screw. Repeat until you reach the correct setting.

### Selecting the direction of rotation (fig. E)

For drilling and tightening screws, use forward (clockwise) rotation. For loosening screws or removing a jammed drill bit, use reverse (counterclockwise) rotation.

- ◆ To select forward rotation, push the forward/reverse slider (2) to the left.
- ◆ To select reverse rotation, push the forward/reverse slider to the right.
- ◆ To lock the tool, set the forward/reverse slider into the centre position.

### Drilling/screwdriving

- ◆ Select forward or reverse rotation using the forward/reverse slider (2).
- ◆ To switch the tool on, press the variable speed switch (1). The tool speed depends on how far you press the switch.
- ◆ To switch the tool off, release the variable speed switch.

### BIT TIP STORAGE

A magnetic bit storage slot (4) is built into the area on the top of the tool.

### LED WORK LIGHT

When drill is activated by pulling the trigger switch (1), the integrated LED work light (10) will automatically illuminate the work area.

**NOTE:** The work light is for lighting the immediate work surface and is not intended to be used as a flashlight.

### Hints for optimum use

#### Drilling

- ◆ Always apply a light pressure in a straight line with the drill bit.
- ◆ Just before the drill tip breaks through the other side of the workpiece, decrease pressure on the tool.
- ◆ Use a block of wood to back up workpieces that may splinter.
- ◆ Use spade bits when drilling large diameter holes in wood.
- ◆ Use HSS drill bits when drilling in metal.
- ◆ Use masonry bits when drilling in soft masonry.
- ◆ Use a lubricant when drilling metals other than cast iron and brass.
- ◆ Make an indentation using a centre punch at the centre of the hole to be drilled in order to improve accuracy.

#### Screwdriving

- ◆ Always use the correct type and size of screwdriver bit.
- ◆ If screws are difficult to tighten, try applying a small amount of washing liquid or soap as a lubricant.
- ◆ Always hold the tool and screwdriver bit in a straight line with the screw.

### Accessories

The performance of your tool depends on the accessory used. Black + Decker and Piranha accessories are engineered to high quality standards and designed to enhance the performance of your tool. By using these accessories you will get the very best from your tool.

### Maintenance

Your Black + Decker corded/cordless appliance/tool has been designed to operate over a long period of time with a minimum of maintenance. Continuous satisfactory operation depends upon proper tool care and regular cleaning.

**Warning!** Before performing any maintenance on corded/cordless power tools:

- ◆ Switch off and unplug the appliance/tool.
- ◆ Or switch off and remove the battery from the appliance/tool if the appliance/tool has a separate battery pack.
- ◆ Or run the appliance down completely if it is integral and then switch off.
- ◆ Unplug the charger before cleaning it. Your charger does not require any maintenance apart from regular cleaning.
- ◆ Regularly clean the ventilation slots in your appliance/tool/charger using a soft brush or dry cloth.
- ◆ Regularly clean the motor housing using a damp cloth. Do not use any abrasive or solvent-based cleaner.



- ◆ Regularly open the chuck and tap it to remove any dust from the interior (when fitted).

## Protecting the environment



Separate collection. This product must not be disposed of with normal household waste.

Should you find one day that your Black + Decker product needs replacement, or if it is of no further use to you, do not dispose of it with household waste. Make this product available for separate collection.



Separate collection of used products and packaging allows materials to be recycled and used again. Re-use of recycled materials helps prevent environmental pollution and reduces the demand for raw materials.

Local regulations may provide for separate collection of electrical products from the household, at municipal waste sites or by the retailer when you purchase a new product.

## Batteries



Run the battery down completely, then remove it from the tool.

- ◆ NiCd, NiMH and Li-Ion batteries are recyclable. Take them to any authorised repair agent or a local recycling station.

## Service Information

Black + Decker offers a full network of company-owned and authorized service locations throughout Asia. All Black + Decker Service Centers are staffed with trained personnel to provide customers with efficient and reliable power tool service. Whether you need technical advice, repair, or genuine factory replacement parts, contact the Black + Decker location nearest to you.

## Notes

- Black + Decker's policy is one of continuous improvement to our products and, as such, we reserve the right to change product specifications without prior notice.
- Standard equipment and accessories may vary by country.
- Product specifications may differ by country.
- Complete product range may not be available in all countries.
- Contact your local Black + Decker dealers for range availability.

## EVO184 多功能工具

### 技术参数

多功能工具		EVO184
电压	伏特	18
电钻/螺丝起子		EDD183
空载转速	转/分	0-800
最大扭矩	牛米	22
夹头尺寸	毫米	10
重量	千克	1.3
钢材	毫米	10
木材	毫米	25
充电器		
输入电压	伏特	220
输出电压	伏特	8-20
电流		400mA
大约充电时间		4 小时
电池		BL1518
电压	伏特	18
电池容量	安时	1.5
类型		锂离子

### 设计用途

您的 Black+Decker 多功能工具专为各种不同的 DIY 应用而设计。

本工具配备电钻/螺丝起子头 (EDD183)、打气筒头 (EIF183)、砂纸机头 (ESH183) 和曲线锯头 (EJS183)。本使用手册描述了工具和电钻/螺丝起子头 (EDD183) 的设计用途。

打气筒头 (EIF183)、砂纸机头 (ESH183) 和曲线锯头 (EJS183) 的设计用途在另一本使用手册中描述。

### 安全说明

#### 电动工具通用安全警告



**警告！** 阅读随电动工具提供的所有安全警告、说明、图示和规定。不遵照以下所列说明会导致电击、着火和 / 或严重伤害。

保存所有警告和说明书以备查阅。

警告中的术语“电动工具”指市电驱动（有线）电动工具或电池驱动（无线）电动工具。

#### a) 工作场地的安全

- 1) 保持工作场地清洁和明亮。杂乱和黑暗的场地会引发事故。
- 2) 不要在易爆环境，如有易燃液体、气体或粉尘的环境下操作电动工具。电动工具产生的火花会点燃粉尘或气体。
- 3) 操作电动工具时，远离儿童和旁观者。注意力不集中会使操作者失去对工具的控制。

#### b) 电气安全

- 1) 电动工具插头必须与插座相配。绝不能以任何方式改装插头。需接地的电动工具不能使用任何转换插头。未经改装的插头和相配的插座将降低电击风险。
- 2) 避免人体接触接地表面，如管道、散热片和冰箱。如果你身体接地会增加电击风险。
- 3) 不得将电动工具暴露在雨中或潮湿环境中。水进入电动工具将增加电击风险。
- 4) 不得滥用电线。绝不能用软线搬运、拉动电动工具或拔出其插头。使软线远离热源、油、锐边或运动部件。受损或缠绕的软线会增加电击风险。
- 5) 当在户外使用电动工具时，使用适合户外使用的延长线。适合户外使用的电线将降低电击风险。
- 6) 如果无法避免在潮湿环境下操作电动工具，应使用带有剩余电流装置 (RCD) 保护的电源。RCD 的使用可降低电击风险。

## c) 人身安全

- 1) 保持警觉，当操作电动工具时关注所从事的操作并保持清醒。当你感到疲倦，或在有药物、酒精或治疗反应时，不要操作电动工具。在操作电动工具时瞬间的疏忽会导致严重人身伤害。
- 2) 使用个人防护装置。始终佩戴护目镜。防护装置，诸如适当条件下使用防尘面具、防滑安全鞋、安全帽、听力防护等装置能减少人身伤害。
- 3) 防止意外起动。在连接电源和/或电池盒、拿起或搬运工具前确保开关处于关断位置。手指放在开关上搬运工具或开关处于接通时通电会导致危险。
- 4) 在电动工具接通之前，拿掉所有调节钥匙或扳手。遗留在电动工具旋转零件上的扳手或钥匙会导致人身伤害。
- 5) 手不要过分伸展。时刻注意立足点和身体平衡。这样能在意外情况下能更好地控制住电动工具。
- 6) 着装适当。不要穿宽松衣服或佩戴饰品。让你的头发和衣服远离运动部件。宽松衣服、佩戴或长发可能会卷入运动部件。
- 7) 如果提供了与排屑、集尘设备连接用的装置，要确保其连接完好且使用得当。使用集尘装置可降低尘屑引起的危险。
- 8) 不要因为频繁使用工具而产生的熟悉感而掉以轻心，忽视工具的安全准则。某个粗心的动作可能在瞬间导致严重的伤害。

## d) 电动工具使用和注意事项

- 1) 不要勉强使用电动工具，根据用途使用合适的电动工具。选用合适的按照额定值设计的电动工具会使你工作更有效、更安全。
- 2) 如果开关不能接通或关断电源，则不能使用该电动工具。不能通过开关来控制的电动工具是危险的且必须进行修理。
- 3) 在进行任何调节、更换附件或贮存电动工具之前，必须从电源上拔掉插头和 / 或卸下电池包（如可拆卸）。这种防护性的安全措施降低了电动工具意外起动的风险。
- 4) 将闲置不用的电动工具贮存在儿童所及范围之外，并且不允许不熟悉电动工具和不了解这些说明的人操作电动工具。电动工具在未经培训的使用者手中是危险的。
- 5) 维护电动工具及其附件。检查运动部件是否调整到位或卡住，检查零件破损情况和影响电动工具运行的其他状况。如有损坏，应在使用前修理好电动工具。许多事故是由维护不良的电动工具引发的。
- 6) 保持切削刀具锋利和清洁。维护良好地有锋利切削刃的刀具不易卡住而且容易控制。
- 7) 按照使用说明书，并考虑作业条件和要进行的作业来选择电动工具、附件和工具的刀头等。将电动工具用于那些与其用途不符的操作可能会导致危险情况。

- 8) 保持手柄和握持表面干燥、清洁，不得沾有油脂。在意外的情况下，湿滑的手柄不能保证握持的安全和对工具的控制。

## e) 电池式工具使用和注意事项：

- 1) 仅使用生产者规定的充电器充电。将适用于某种电池包的充电器用到其他电池包时可能会发生着火危险。
- 2) 仅使用配有专用电池包的电动工具。使用其他电池包可能会产生伤害和着火危险。
- 3) 当电池包不用时，将它远离其他金属物体，例如回形针、硬币、钥匙、钉子、螺钉或其他小金属物体，以防电池包一端与另一端连接。电池组端部短路会引起燃烧或着火。
- 4) 在滥用条件下，液体可能会从电池组中溅出，应避免接触。如果意外碰到液体，用水冲洗。如果液体碰到了眼睛，还要寻求医疗帮助。从电池中溅出的液体可能会发生腐蚀或燃烧。
- 5) 不要使用损坏或改装过的电池包或工具。损坏或改装过的电池组可能呈现无法预测的结果，导致着火、爆炸或伤害。
- 6) 不要将电池包暴露于火或者高温中。电池包暴露于火或高于 130°C 的高温中可能导致爆炸。

## f) 维修

- 1) 让专业维修人员使用相同的备件维修电动工具。这将保证所维修的电动工具的安全。
- 2) 决不能维修损坏的电池包。电池包仅能由生产者或其授权的维修服务商进行维修。

—工具使用前应得到适当支撑。由于工具输出转矩大，运行时没有适当支撑会失控导致人身伤害。—当在钻削附件可能触及暗线之处进行操作时，要通过绝缘握持面来握持工具。钻削附件碰到带电导线会使工具外露的金属零件带电从而使操作者受到电击。

## 电动工具附加安全警告



警告！电钻和冲击电钻的附加安全警告

- ◆ 使用冲击电钻时请佩戴听力保护器。暴露在噪声中会引起听力损伤。
- ◆ 请使用工具随附的辅助手柄。操作失控可能会导致人身伤害。
- ◆ 在切削附件可能触及暗线或其自身软线之处进行操作时，要通过绝缘握持面来握持工具。切削附件碰到“带电”导线会使工具外露的金属零件带电，从而使操作者受到电击。
- ◆ 在紧固件可能触及暗线或其自身软线之处进行操作时，要通过绝缘握持面来握持工具。紧固件碰到“带电”导线会使工具外露的金属零件带电，从而使操作者受到电击。

- ◆ 切勿在旋转模式下使用凿子配件。附件将卡在材料中并旋转电钻。
- ◆ 请使用夹具或采取其他可行方法，把工件可靠地固定在稳定的平台上。手持或用身体顶住工件都是不稳定的，会导致操作失控。
- ◆ 在墙上、地板或天花板上钻孔之前，请检查电线和管道位置。
- ◆ 不要在钻孔后立刻碰触可能还带热的钻头尖端。
- ◆ 本使用手册描述了工具的设计用途。使用非本使用手册所建议的任何其他附件或配件，或者使用本工具执行非手册建议的任何其他操作，都可能存在人身伤害和/或财产损失的危险。

## 充电器

- ◆ 只能使用工具随附的 Black+Decker 充电器为工具内的电池充电。其他非原厂电池可能会爆裂，导致人身伤害和损害。
- ◆ 切勿尝试为不可再充电的电池充电。
- ◆ 立即更换有缺陷的电源线。
- ◆ 不要将充电器暴露在水中。
- ◆ 不要打开充电器。
- ◆ 不要刺破充电器。



充电器仅供室内使用。



使用前请阅读使用手册。

## 电气安全



本充电器为双重绝缘，因此无需接地线。请务必检查电源电压是否与铭牌一致。切勿尝试使用一般的电源插头替换充电器。

- ◆ 如果电源线损坏，必须让制造商或授权的 Black+Decker 服务中心更换以避免发生危险。

## 部件名称

本工具包含如下部分或全部部件。

1. 变速开关
2. 正/反转滑块
3. 头部释放按钮
4. 钻头夹持器
5. 电池
6. 电池释放按钮
7. 电钻/螺丝起子头
8. 扭矩调节轴环
9. 夹头
10. LED 工作灯
11. 充电指示灯
12. 充电器
13. 离合器标记

## 组装

**警告！** 装配之前，请取出工具内的电池。

### 安装及取出电池 (图 A)

- ◆ 要安装电池 (5)，请将它与工具上的插座对齐。将电池滑入插座，然后推动直到电池卡入定位。
- ◆ 要取出电池，请按释放按钮 (6)，同时将电池从插座中拉出。

### 安装及取出工具头 (图 B)

**警告！** 安装及取出工具头时请务必小心。活动部件可能会在使用过程中变热。

- ◆ 将正/反转滑块 (2) 拨到中间位置将工具锁定。

## 他人安全

- ◆ 本设备不适合体力、感官或智力不足以及缺乏经验、知识的人员 (包括儿童) 操作，除非负责他们安全的人员已经为他们提供关于使用此设备的监督或指示。
- ◆ 应看管好儿童，以确保他们不将此设备当做玩具来玩。

## 其他风险

使用设备时，可能出现本安全警示之外的其他风险。这些风险可能来自使用不当，使用时间过长等。

尽管遵守了相关的安全法规并采用了安全装备，某些剩余风险仍然是无法避免的。这些风险包括：

- ◆ 接触旋转/运动部件时所导致的伤害风险。
- ◆ 更换部件、锯片或配件时所导致的伤害风险。
- ◆ 长期使用工具所导致的伤害风险。长期使用工具时，请确保定时休息。
- ◆ 听力损伤。
- ◆ 吸入工具使用过程中产生的粉尘导致的健康危害 (例如，锯切木材，特别是橡木、山毛榉和中密度纤维板时)。

## 工具上的标签

工具上印有下列图形：



**警告！** 为降低伤害风险，用户必须阅读使用手册。

## 电池和充电器的附加安全说明

### 电池

- ◆ 不论基于任何理由，都不要尝试打开电池。
- ◆ 不要将电池暴露在水中。
- ◆ 不要将电池存放在温度可能超过 40°C 的地方。
- ◆ 只在环境温度介于 10°C 和 40°C 之间的情况下充电。
- ◆ 只能使用本工具随附的充电器为电池充电。
- ◆ 弃置电池时，请遵循“保护环境”部分所提供的说明。



不要尝试对损坏的电池充电。

- ◆ 要取出工具头，请按下部释放按钮 (3) 并将工具头从工具上取下。
- ◆ 要安装工具头，请如图所示般将其与工具对齐，然后向工具上推动直到工具头卡入定位。

### 安装及取出钻头或螺丝起子头

电钻/螺丝起子头配备无钥匙夹头，允许轻松更换钻头。

- ◆ 将正/反转滑块 (2) 拨到中间位置将工具锁定。
- ◆ 用一只手握住后面部分，然后用另一只手顺时针转动前面部分以打开夹头 (9)。
- ◆ 将钻头轴插入夹头 (9)。
- ◆ 用一只手握住后面部分，然后用另一只手逆时针转动前面部分以牢牢拧紧夹头 (9)。
- ◆ 要从钻头夹持器取出螺丝起子头，将螺丝起子头从凹槽中移开。
- ◆ 要安装螺丝起子头，将其稳固地推入夹持器。

### 使用

**警告！** 请让工具在自有速度下工作。请勿过载。

**警告！** 在墙上、地板或天花板上钻孔之前，请检查电线和钢管位置。

### 为电池充电 (图 C)

电池在首次使用之前，以及无法像从前一样对工作轻松提供足够的电量时，都需要充电。电池在充电时可能会变热；这是正常现象，而且并不表示出现问题。

**警告！** 请不要在环境温度低于 10°C 或高于 40°C 的情况下为电池充电。建议的充电温度为大约 24°C。

**注：若电池温度低于约 0°C 或高于 40°C，充电器将不会为电池充电。电池应留在充电器内，充电器会在电池温度升高或降低到合适温度时自动开始充电。**

- ◆ 为电池 (5) 充电，请将电池插入充电器 (12)。电池只能以一个方向插入至充电器。请勿用力过猛。确保电池在充电器中完全到位。
- ◆ 插入充电器并打开电源。

充电指示灯 (11) 会持续闪烁绿色 (缓慢)。

充电指示灯 (11) 常亮绿色时表示充电完成。充电器可以和电池长期连接，此时 LED 指示灯常亮。在充电器不时为电池充电时，LED 指示灯会变成闪烁绿色 (充电中) 状态。只要设备连接插接电源的充电器，充电指示灯 (11) 就会亮起。

- ◆ 当电池电力耗尽时，请在 1 周内进行充电。在电力耗尽状态下保存会大大缩短电池寿命。

### 将电池留在充电器中

充电器可以和电池组长期连接，此时 LED 指示灯常亮。充电器会让电池组保持电量充满的状态。

### 充电器故障诊断

充电器检测到脆弱或损坏的电池时，充电指示灯 (11) 会快速闪烁红色。请按以下步骤操作：

- ◆ 重新插入电池 (5)。
- ◆ 如果充电指示灯仍然快速闪烁红色，请使用其他电池确定充电过程是否正常工作。
- ◆ 如果更换电池后可以正常充电，则原电池有缺陷，应送返服务中心进行回收处理。
- ◆ 如果更换电池后，指示灯仍然和原电池一样，则将充电器送至授权的服务中心进行测试。

**注：可能需要 60 分钟才能确定电池是否存在缺陷。如果电池太热或太冷，则 LED 会闪烁红色，闪烁频率为一快一慢相互交替。**

### 选择扭矩或钻孔位置 (图 D)

本工具配备用于设置扭矩以紧固螺钉的轴环。

- ◆ 如要钻孔，可通过对齐符号和标记 (13)，将轴环 (8) 设置到钻孔位置。
- ◆ 要执行螺旋操作，将轴环设置到所需设置。
- ◆ 如果尚不知道相应设置，请执行下列操作：
  - ◆ 将轴环 (8) 设置到位置 1。
  - ◆ 拧紧第一个螺丝。
  - ◆ 如果离合器在达到所需结果之前松脱，请增加轴环设置并继续拧紧螺丝。重复直到设置正确为止。

### 选择旋转方向 (图 E)

如果要钻孔和转紧螺丝，使用向前 (顺时针) 旋转。如果要转松螺丝或取出卡住的钻头，使用后 (逆时针) 旋转。

- ◆ 要选择向前旋转，请将正/反转滑块 (2) 拨到左边。
- ◆ 要选择向后旋转，请将正/反转滑块拨到右边。
- ◆ 如果要锁定工具，请将正/反转滑块拨到中间位置。

### 钻孔/螺丝安装

- ◆ 使用正/反转滑块 (2)，选择向前或后旋转。
- ◆ 要开启工具电源，请按变速开关 (1)。工具转速取决于按压开关的程度。
- ◆ 要关闭工具电源，请松开变速开关。

### 钻头存储

工具顶部区域内置了一个磁性钻头存储槽 (4)。

### LED 工作灯

通过按下触发开关 (1) 启动电钻时，集成的 LED 工作灯 (10) 会自动亮起，照亮工作区域。

**注：工作灯是用于照亮紧邻的工作表面，不能当做手电筒使用。**

## 最佳使用提示

### 钻孔

- ◆ 始终应用与钻头方向成一直线的轻微力度。
- ◆ 在钻头快要刺破工件的另一面时，降低施加到工具上的力度。
- ◆ 用木块垫住可能会碎裂的工件。
- ◆ 在木材上进行大直径钻孔时，请使用扁钻头。
- ◆ 在金属上钻孔时，请使用 HSS 钻头。
- ◆ 在柔软的砖石上钻孔时，请使用砖石钻头。
- ◆ 在铸铁和黄铜材料以外的金属上钻孔时，请使用润滑剂。
- ◆ 在要钻开的洞孔中央使用中央冲孔来制造一个凹痕可改进精度。

### 螺丝安装

- ◆ 始终使用正确类型和尺寸的螺丝起子头。
- ◆ 如果螺钉难以转紧，请尝试用小量洗涤剂或肥皂作为润滑剂。
- ◆ 工具和螺丝起子头必须始终与螺钉成一直线。

### 附件

电动工具的性能取决于所使用的配件。Black+Decker 和 Piranha 附件依据高质量标准进行规划，并设计用于增强电动工具的性能。购买这些附件会令您的工具如虎添翼。

### 维护

Black+Decker 有线/无线设备/工具设计精良，可以长期使用，仅需极少维护。要连续获得令人满意的工作效果，需要进行合适的工具维护和定期清洁。

**警告！** 对有线/无线电动工具进行任何维护工作之前，必须：

- ◆ 关闭电源并拔下设备/工具插头。
- ◆ 如果设备/工具配有独立电池组，请关闭电源并从设备/工具上取下电池。
- ◆ 如果设备/工具配有一体式电池，请将电池电量耗尽后，然后再关闭电源。
- ◆ 清洁之前，先拔下充电器插头。除了定期清洁外，本充电器无需其他维护。
- ◆ 定期使用软刷或干布清洁设备/工具/充电器内的通风槽。
- ◆ 定期使用湿布清洁电动机外壳。请勿使用任何研磨性或溶剂型清洁剂。
- ◆ 定期打开并轻拍夹头以清除内部粉尘（安装时）。

## 保护环境



分类回收。本产品不得与普通家庭垃圾一起处理。

如果您发现您的 Black+Decker 产品需要进行替换，或您已经不再需要使用这些产品，请勿将它们与家庭废物一起处理。请将它们单独分类回收。



分类回收使用过的产品和包装能够让材料得以再循环和再利用。再生材料的再利用有助于防止环境污染，并降低对原材料的需求。

当地法规可能要求由市政废物处理点或向您出售新产品的零售商提供将家庭废物与电气产品分开收集的服务。

## 电池



耗尽电池的电力，然后将其从工具中取出。

- ◆ 镍镉、镍氢和锂离子电池可再循环利用。将其送到任一授权维修代理商处或当地的回收站。

## 服务信息

Black+Decker 的公司直属和授权服务点网络覆盖整个亚洲。所有 Black+Decker 服务中心都具有训练有素的人员，为客户提供高效和可靠的电动工具服务。不论您是需要技术建议、维修或原厂替换部件，均可联系最靠近您的 Black+Decker 服务点。

## 备注

- Black+Decker 的政策之一是持续改进我们的产品，因此，我们保留随时更改产品规格的权利，恕不另行通知。
- 标准设备和附件可能会因国家（地区）而异。
- 不同国家（地区）的产品规格也可能会有所不同。
- 并非所有的国家（地区）都可提供完整的产品系列。
- 有关各产品系列的供应情况，请联系您当地的 Black+Decker 代理商。



